



GSS Professional

20-18 | 20-18 A

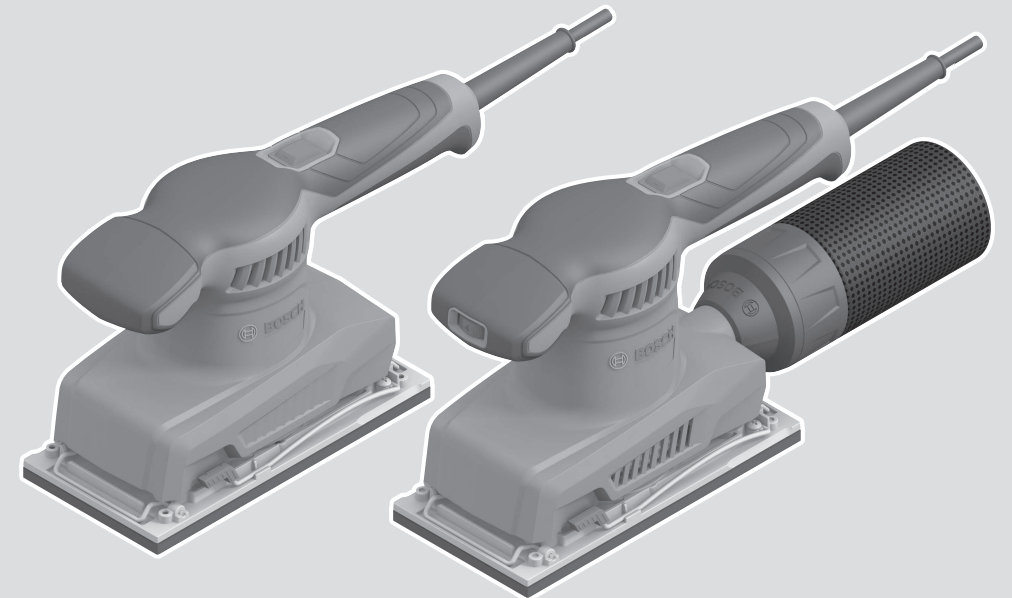
Robert Bosch Power Tools GmbH
70538 Stuttgart
GERMANY

www.bosch-pt.com

1 609 92A 9TV (2024.09) 0 / 62



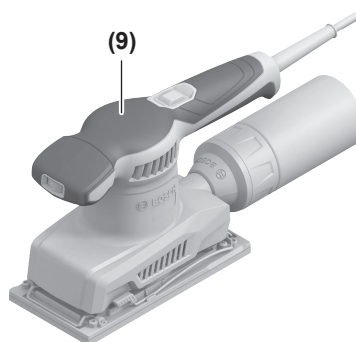
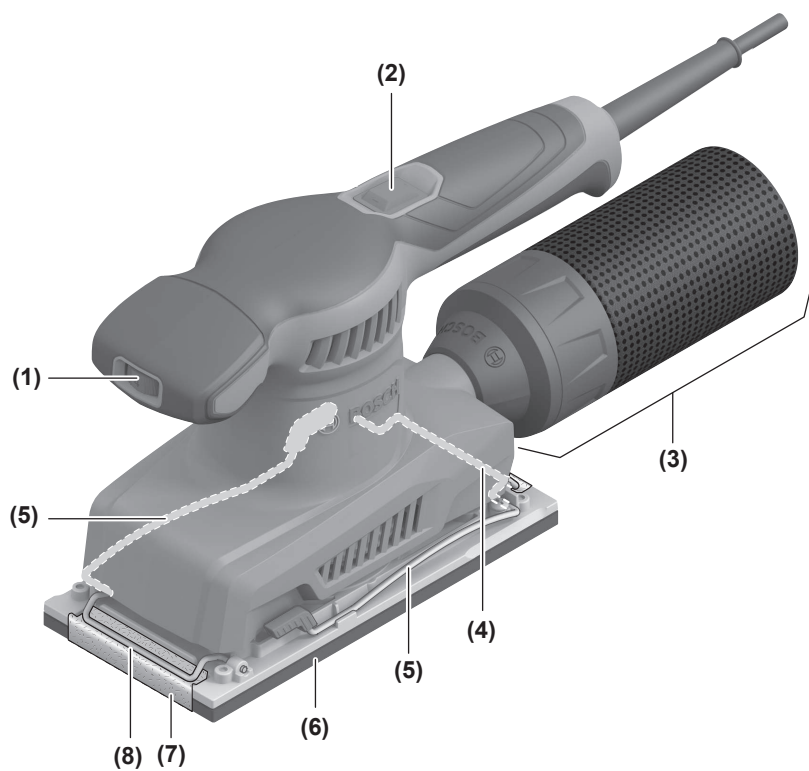
1 609 92A 9TV



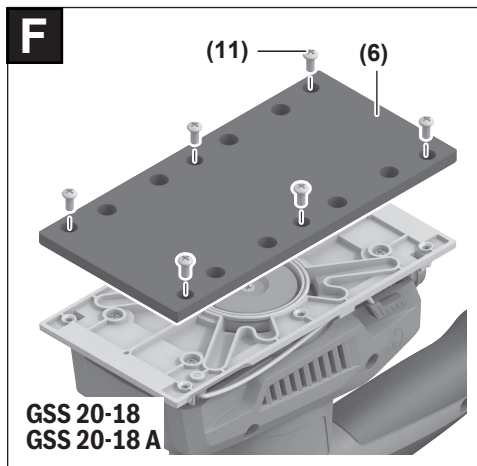
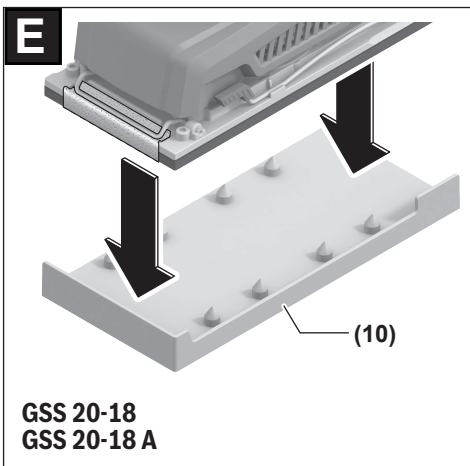
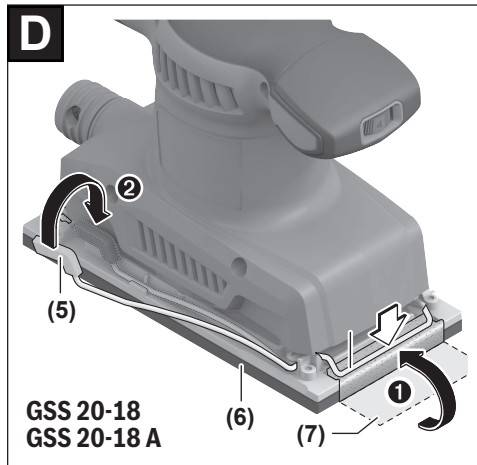
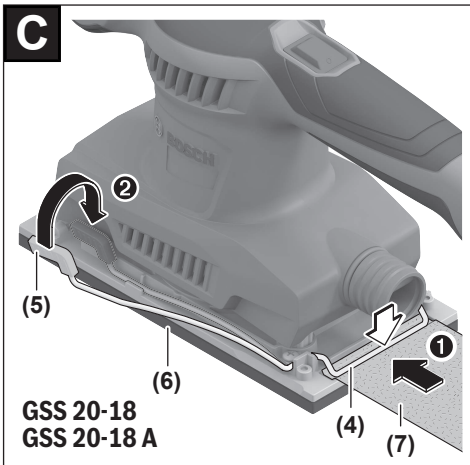
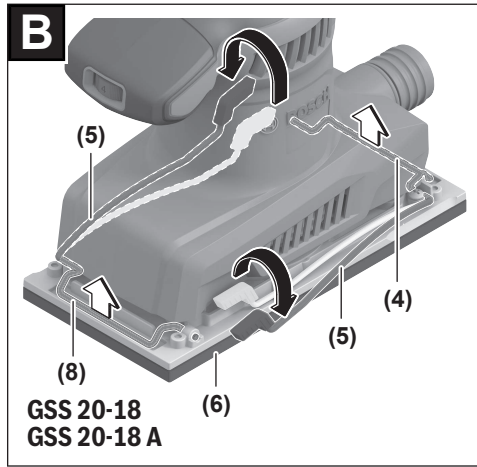
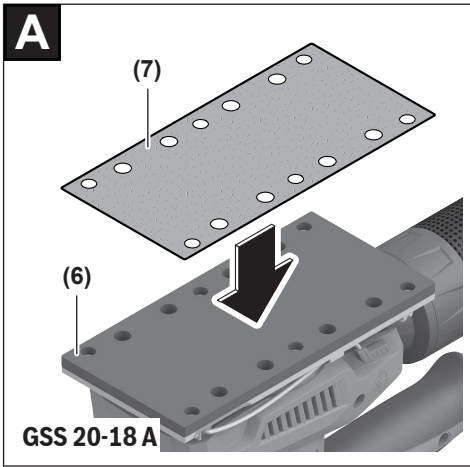
- en Original instructions
- fr Notice originale
- pt Manual original
- es Manual original
- pt Manual de instruções original
- zh 正本使用说明书
- zh 原始使用說明書
- th หนังสือคู่มือการใช้งานฉบับต้นแบบ
- id Petunjuk-Petunjuk untuk Penggunaan Orisinal
- vi Bản gốc hướng dẫn sử dụng
- ar دليل التشغيل الأصلي
- fa دفترچه راهنمای اصلی

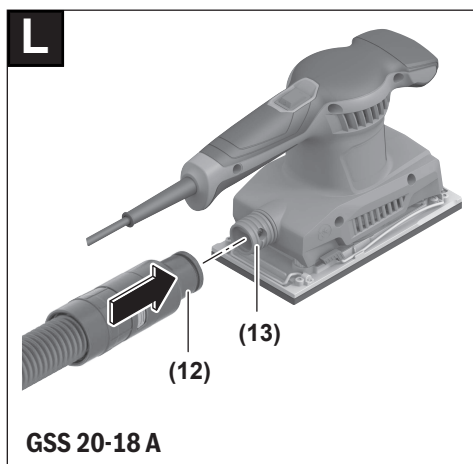
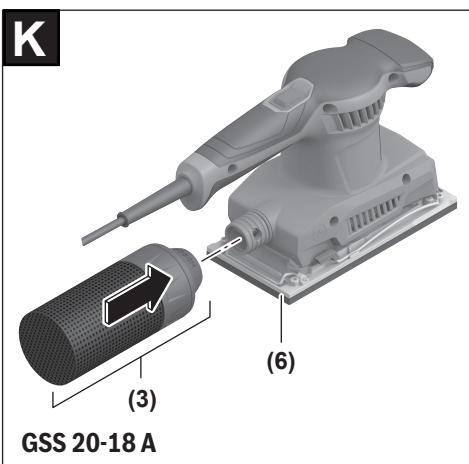
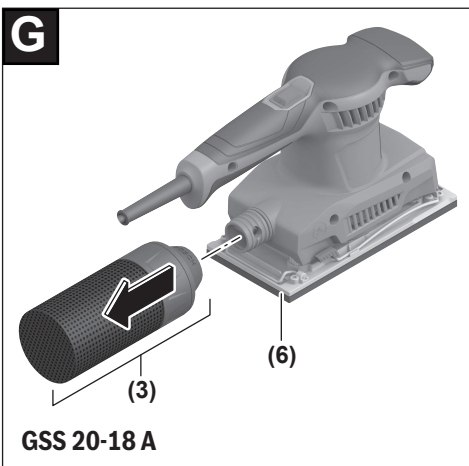


English	Page	6
Français	Page	10
Português	Página	15
Español	Página	20
Português do Brasil	Página	25
中文	頁	30
繁體中文	頁	34
ไทย	หน้า	38
Bahasa Indonesia	Halaman	42
Tiếng Việt	Trang	47
عربي	الصفحة	52
فارسی	صفحه	57



GSS 20-18 A





English

Safety Instructions

General Power Tool Safety Warnings

⚠ WARNING Read all safety warnings, instructions, illustrations and specifications provided with this power tool. Failure to follow all instructions listed below may result in electric shock, fire and/or serious injury.

Save all warnings and instructions for future reference.

The term "power tool" in the warnings refers to your mains-operated (corded) power tool or battery-operated (cordless) power tool.

Work area safety

- ▶ **Keep work area clean and well lit.** Cluttered or dark areas invite accidents.
- ▶ **Do not operate power tools in explosive atmospheres, such as in the presence of flammable liquids, gases or dust.** Power tools create sparks which may ignite the dust or fumes.
- ▶ **Keep children and bystanders away while operating a power tool.** Distractions can cause you to lose control.

Electrical safety

- ▶ **Power tool plugs must match the outlet. Never modify the plug in any way. Do not use any adapter plugs with earthed (grounded) power tools.** Unmodified plugs and matching outlets will reduce risk of electric shock.
- ▶ **Avoid body contact with earthed or grounded surfaces, such as pipes, radiators, ranges and refrigerators.** There is an increased risk of electric shock if your body is earthed or grounded.
- ▶ **Do not expose power tools to rain or wet conditions.** Water entering a power tool will increase the risk of electric shock.
- ▶ **Do not abuse the cord. Never use the cord for carrying, pulling or unplugging the power tool. Keep cord away from heat, oil, sharp edges or moving parts.** Damaged or entangled cords increase the risk of electric shock.
- ▶ **When operating a power tool outdoors, use an extension cord suitable for outdoor use.** Use of a cord suitable for outdoor use reduces the risk of electric shock.
- ▶ **If operating a power tool in a damp location is unavoidable, use a residual current device (RCD) protected supply.** Use of an RCD reduces the risk of electric shock.

Personal safety

- ▶ **Stay alert, watch what you are doing and use common sense when operating a power tool. Do not use a power tool while you are tired or under the influence of drugs, alcohol or medication.** A moment of inatten-

tion while operating power tools may result in serious personal injury.

- ▶ **Use personal protective equipment. Always wear eye protection.** Protective equipment such as a dust mask, non-skid safety shoes, hard hat or hearing protection used for appropriate conditions will reduce personal injuries.
- ▶ **Prevent unintentional starting. Ensure the switch is in the off-position before connecting to power source and/or battery pack, picking up or carrying the tool.** Carrying power tools with your finger on the switch or energising power tools that have the switch on invites accidents.
- ▶ **Remove any adjusting key or wrench before turning the power tool on.** A wrench or a key left attached to a rotating part of the power tool may result in personal injury.
- ▶ **Do not overreach. Keep proper footing and balance at all times.** This enables better control of the power tool in unexpected situations.
- ▶ **Dress properly. Do not wear loose clothing or jewellery. Keep your hair and clothing away from moving parts.** Loose clothes, jewellery or long hair can be caught in moving parts.
- ▶ **If devices are provided for the connection of dust extraction and collection facilities, ensure these are connected and properly used.** Use of dust collection can reduce dust-related hazards.
- ▶ **Do not let familiarity gained from frequent use of tools allow you to become complacent and ignore tool safety principles.** A careless action can cause severe injury within a fraction of a second.

Power tool use and care

- ▶ **Do not force the power tool. Use the correct power tool for your application.** The correct power tool will do the job better and safer at the rate for which it was designed.
- ▶ **Do not use the power tool if the switch does not turn it on and off.** Any power tool that cannot be controlled with the switch is dangerous and must be repaired.
- ▶ **Disconnect the plug from the power source and/or remove the battery pack, if detachable, from the power tool before making any adjustments, changing accessories, or storing power tools.** Such preventive safety measures reduce the risk of starting the power tool accidentally.
- ▶ **Store idle power tools out of the reach of children and do not allow persons unfamiliar with the power tool or these instructions to operate the power tool.** Power tools are dangerous in the hands of untrained users.
- ▶ **Maintain power tools and accessories. Check for misalignment or binding of moving parts, breakage of parts and any other condition that may affect the power tool's operation. If damaged, have the power tool repaired before use.** Many accidents are caused by poorly maintained power tools.

- ▶ **Keep cutting tools sharp and clean.** Properly maintained cutting tools with sharp cutting edges are less likely to bind and are easier to control.
- ▶ **Use the power tool, accessories and tool bits etc. in accordance with these instructions, taking into account the working conditions and the work to be performed.** Use of the power tool for operations different from those intended could result in a hazardous situation.
- ▶ **Keep handles and grasping surfaces dry, clean and free from oil and grease.** Slippery handles and grasping surfaces do not allow for safe handling and control of the tool in unexpected situations.

Service

- ▶ **Have your power tool serviced by a qualified repair person using only identical replacement parts.** This will ensure that the safety of the power tool is maintained.

Safety Warnings for Sander

- ▶ **Hold the power tool firmly with both hands and make sure you have a stable footing.** The power tool can be more securely guided with both hands.
- ▶ **Only use the power tool for dry sanding.** Water entering a power tool will increase the risk of electric shock.
- ▶ **Warning: Danger of fire! Avoid overheating the workpiece and the sander. Always empty the dust collector before taking a break from work.** Sanding dust in the dust bag, microfilter, paper bag (or in the filter bag or vacuum cleaner filter) can spontaneously combust under certain conditions, for example if flying sparks are created when sanding metals. This risk is increased if the sanding dust is mixed with paint or polyurethane residue or with other chemical substances and if the workpiece is hot as a result of prolonged work.
- ▶ **Clean the air vents on your power tool regularly.** The motor's fan will draw the dust inside the housing and excessive accumulation of powdered metal may cause electrical hazards.
- ▶ **Secure the workpiece.** A workpiece clamped with clamping devices or in a vice is held more secure than by hand.

Technical data

Orbital sander		GSS 20-18	GSS 20-18 A
Article number		3 601 K70 1..	3 601 K70 1..
Rated power input	W	200	200
Orbital stroke rate preselection		-	●
No-load speed	min ⁻¹	12,000	8,000–12,000
No-load orbital stroke rate	min ⁻¹	24,000	16,000–24,000
Orbit diameter	mm	2.0	2.0
Sanding sheet dimensions			
– Hook-and-loop backing	mm	-	93 x 186
– Clamping tension	mm	93 x 230	93 x 230
Sanding plate dimensions	mm	90 x 183	90 x 183

- ▶ **Always wait until the power tool has come to a complete stop before placing it down.**

Product Description and Specifications



Read all the safety and general instructions.

Failure to observe the safety and general instructions may result in electric shock, fire and/or serious injury.

Please observe the illustrations at the beginning of this operating manual.

Intended Use

The power tool is intended for dry sanding of wood, plastic, metal, filler and varnished surfaces.

Product features

The numbering of the product features refers to the diagram of the power tool on the graphics page.

- (1) Orbital stroke rate preselection thumbwheel (GSS 20-18 A)
 - (2) On/off switch
 - (3) Dust bag (GSS 20-18 A)
 - (4) Rear clamping bracket
 - (5) Sanding sheet clamps (2x)
 - (6) Sanding plate
 - (7) Sanding sheet
 - (8) Front clamping bracket
 - (9) Handle (insulated gripping surface)
 - (10) Punch^{a)}
 - (11) Screws for sanding plate
 - (12) Extraction hose^{a)}
 - (13) Extraction outlet (GSS 20-18 A)
- a) **This accessory is not part of the standard scope of delivery.**

Orbital sander		GSS 20-18	GSS 20-18 A
Weight ^{A)}	kg	1.5	1.6
Protection class		□/II	□/II

A) Weight without mains connection cable and without mains plug

The specifications apply to a rated voltage [U] of 230 V. These specifications may vary at different voltages and in country-specific models.

Values can vary depending on the product, scope of application and environmental conditions. To find out more, visit www.bosch-professional.com/wac.

Noise/Vibration Information

Noise emission values determined according to **EN 62841-2-4**.

Typically, the A-weighted noise level of the power tool is: Sound pressure level **76 dB(A)**; sound power level **84 dB(A)**. Uncertainty K = **3 dB**.

Wear hearing protection!

Vibration total values a_h (triax vector sum) and uncertainty K determined according to **EN 62841-2-4**:

$a_h = 3.2 \text{ m/s}^2$, K = **1.5 m/s²**

The vibration level and noise emission value given in these instructions have been measured in accordance with a standardised measuring procedure and may be used to compare power tools. They may also be used for a preliminary estimation of vibration and noise emissions.

The stated vibration level and noise emission value represent the main applications of the power tool. However, if the power tool is used for other applications, with different accessories or is poorly maintained, the vibration level and noise emission value may differ. This may significantly increase the vibration and noise emissions over the total working period.

To estimate vibration and noise emissions accurately, the times when the tool is switched off or when it is running but not actually being used should also be taken into account. This may significantly reduce vibration and noise emissions over the total working period.

Implement additional safety measures to protect the operator from the effects of vibration, such as servicing the power tool and accessories, keeping their hands warm, and organising workflows correctly.

Assembly

- **Pull the plug out of the socket before carrying out any work on the power tool.**

Dust/Chip Extraction

The dust from materials such as lead paint, some types of wood, minerals and metal can be harmful to human health. Touching or breathing in this dust can trigger allergic reactions and/or cause respiratory illnesses in the user or in people in the near vicinity.

Certain dusts, such as oak or beech dust, are classified as carcinogenic, especially in conjunction with wood treatment additives (chromate, wood preservative). Materials containing asbestos may only be machined by specialists.

- Use a dust extraction system that is suitable for the material wherever possible.
- Provide good ventilation at the workplace.
- It is advisable to wear a P2 filter class breathing mask.

The regulations on the material being machined that apply in the country of use must be observed.

- **Avoid dust accumulation at the workplace.** Dust can easily ignite.

Self-generated dust extraction with dust bag (see figures G–K)

To empty the dust bag, pull the complete dust bag **(3)** away from the extraction outlet **(13)**.

Unscrew the cap of the dust bag. Empty the dust bag and screw the cap back on.

Place and move the complete dust bag **(3)** onto the extraction outlet **(13)** until it lines up precisely with the power tool.

Note: Empty the dust bag **(3)** in good time to ensure optimum dust extraction.

When working vertical surfaces, hold the power tool in such a manner that the dust bag **(3)** faces downward.

External dust extraction (see figure L)

Fit a dust extraction hose **(12)** onto the extraction outlet **(13)**.

Connect the dust extraction hose **(12)** to an extractor. You will find an overview of connecting to various dust extractors at the end of these operating instructions.

The dust extractor must be suitable for the material being worked.

When extracting dry dust that is especially detrimental to health or carcinogenic, use a special dust extractor.

In Germany, wood dust extraction requires extraction devices which have been tested on the basis of TRGS 553; self-generated dust extraction must not be used in the commercial sector. Commercial operators must clarify the specific requirements for other materials with the responsible trade association.

Changing the sanding sheet

Remove dirt and dust from the sanding plate **(6)**, e.g. with a brush, before attaching a new sanding sheet.

To ensure optimum dust extraction, make sure that the punched holes in the sanding sheet are aligned with the drilled holes in the sanding plate.

Sanding sheets with hook-and-loop backing (see figure A)

Only available with some versions of the GSS 20-18 A power tool:

The sanding plate (6) is fitted with a hook-and-loop fastening, allowing sanding sheets with a similar backing to be secured quickly and easily.

Tap the hook-and-loop fastening of the sanding plate (6) before fitting the sanding sheet (7) to facilitate maximum adhesion.

Position the sanding sheet (7) so that it is flush with one side of the sanding plate (6), then place the sanding sheet on the sanding plate and press it on firmly.

To remove the sanding sheet (7), take hold of it by a corner and pull it away from the sanding plate (6).

Sanding sheets without hook-and-loop backing (see figures B–D)

- ❶ Unlock both sanding-sheet clamps (5) and swivel them downwards.
- ❷ Insert the sanding sheet (7) under the rear clamping bracket (4). Ensure that the sanding sheet (7) is not too short and that it is correctly clamped. Swivel the sanding-sheet clamp (5) back into the starting position and lock it in place.
- ❸ Position the sanding paper so that it fits tightly around the sanding plate (6). Clamp the front part of the sanding sheet under the front clamping bracket (8). Ensure that the sanding sheet (7) is not too short and that it is correctly clamped. Swivel the sanding-sheet clamp (5) back into the starting position and lock it in place.

To remove the sanding sheet (7), unlock both sanding-sheet clamps (5) and pull the sanding sheet out of its bracket.

Unperforated sanding sheets, e.g. from rolls or bulk stock sold by the metre, can be perforated using the punch (10) for the purpose of dust extraction. To do this, fit the sanding sheet on the power tool and push the tool down onto the punch (see figure E).

Selecting a sanding sheet

Different sanding sheets are available, depending on the material you are working with and the required surface removal rate:

	Grit	
red: Wood	40–240	
For processing all wood and wood-based materials		
For pre-sanding, e.g. of rough and uneven beams and boards	Coarse	40, 60
For surface sanding and levelling of slight irregularities	Medium	80, 100, 120
For finish-sanding and fine sanding of hardwoods	Fine	180, 240
white: Paint	40–320	

	Grit	
For processing paint and lacquer layers or primers such as fillers and bodyfillers		
For sanding down paint	Coarse	40, 60
For sanding undercoats	Medium	80, 100, 120
For final sanding of primers prior to painting	Fine	180, 240, 320

Changing the sanding plate (see figure F)

If necessary, the sanding plate (6) can be replaced. Unscrew the four screws (11) completely and remove the sanding plate (6). Fit the new sanding plate (6) and retighten the screws.

Operation

Starting Operation

- ▶ **Pay attention to the mains voltage.** The voltage of the power source must match the voltage specified on the rating plate of the power tool.
- ▶ **Products that are only sold in AUS and NZ:** Use a residual current device (RCD) with a nominal residual current of 30 mA or less.

Switching On and Off

- ▶ **Make sure that you are able to press the On/Off switch without releasing the handle.**

To **start** the power tool, push the on/off switch (2) forwards and into the "I" position.

To **turn off** the power tool, push the on/off switch (2) forwards and into the "0" position.

Preselecting the orbital stroke rate

You can even preselect the orbital stroke rate during operation using the necessary orbital stroke rate preselection thumbwheel (1).

The required orbital stroke rate is dependent on the material and the work conditions and can be determined using practical tests.

Practical advice

- ▶ **Pull the plug out of the socket before carrying out any work on the power tool.**
- ▶ **Always wait until the power tool has come to a complete stop before placing it down.**

The material removal rate when sanding is primarily determined by the choice of sanding sheet and the preselected orbital stroke rate (1).

Only immaculate sanding sheets achieve good sanding performance and make the power tool last longer.

Be sure to apply consistent contact pressure in order to increase the lifetime of the sanding sheets.

Excessively increasing the contact pressure will not lead to increased sanding performance; rather, it will cause more

severe wear of the power tool and premature failure of the sanding plate.

Do not use a sanding sheet for other materials after it has been used to work on metal.

Use only original **Bosch**-sanding accessories.

Maintenance and Service

Maintenance and Cleaning

- ▶ **Pull the plug out of the socket before carrying out any work on the power tool.**
- ▶ **To ensure safe and efficient operation, always keep the power tool and the ventilation slots clean.**

In order to avoid safety hazards, if the power supply cord needs to be replaced, this must be done by **Bosch** or by an after-sales service centre that is authorised to repair **Bosch** power tools.

After-Sales Service and Application Service

Our after-sales service responds to your questions concerning maintenance and repair of your product as well as spare parts. You can find explosion drawings and information on spare parts at: www.bosch-pt.com

The Bosch product use advice team will be happy to help you with any questions about our products and their accessories.

In all correspondence and spare parts orders, please always include the 10-digit article number given on the nameplate of the product.

Malaysia

Robert Bosch Sdn. Bhd. (220975-V) PT/SMY
No. 8A, Jalan 13/6
46200 Petaling Jaya
Selangor
Tel.: (03) 79663194
Toll-Free: 1800 880188
Fax: (03) 79583838
E-Mail: kiathoe.chong@my.bosch.com
www.bosch-pt.com.my

You can find further service addresses at:

www.bosch-pt.com/serviceaddresses

Disposal

The power tool, accessories and packaging should be recycled in an environmentally friendly manner.



Do not dispose of power tools along with household waste.

Français

Consignes de sécurité

Avertissements de sécurité généraux pour l'outil électrique

AVERTISSEMENT Lire tous les avertissements de sécurité, les instructions, les illustrations et les spécifications fournis avec cet outil électrique.

Ne pas suivre les instructions énumérées ci-dessous peut provoquer un choc électrique, un incendie et/ou une blessure sérieuse.

Conservation des avertissements et des instructions pour pouvoir s'y reporter ultérieurement.

Le terme "outil électrique" dans les avertissements fait référence à votre outil électrique alimenté par le secteur (avec cordon d'alimentation) ou votre outil électrique fonctionnant sur batterie (sans cordon d'alimentation).

Sécurité de la zone de travail

- ▶ **Conservation de la zone de travail propre et bien éclairée.** Les zones en désordre ou sombres sont propices aux accidents.
- ▶ **Ne pas faire fonctionner les outils électriques en atmosphère explosive, par exemple en présence de liquides inflammables, de gaz ou de poussières.** Les outils électriques produisent des étincelles qui peuvent enflammer les poussières ou les fumées.
- ▶ **Maintenir les enfants et les personnes présentes à l'écart pendant l'utilisation de l'outil électrique.** Les distractions peuvent vous faire perdre le contrôle de l'outil.

Sécurité électrique

- ▶ **Il faut que les fiches de l'outil électrique soient adaptées au socle. Ne jamais modifier la fiche de quelque façon que ce soit. Ne pas utiliser d'adaptateurs avec des outils électriques à branchement de terre.** Des fiches non modifiées et des socles adaptés réduisent le risque de choc électrique.
- ▶ **Éviter tout contact du corps avec des surfaces reliées à la terre telles que les tuyaux, les radiateurs, les cuisinières et les réfrigérateurs.** Il existe un risque accru de choc électrique si votre corps est relié à la terre.
- ▶ **Ne pas exposer les outils électriques à la pluie ou à des conditions humides.** La pénétration d'eau à l'intérieur d'un outil électrique augmente le risque de choc électrique.
- ▶ **Ne pas maltraiter le cordon. Ne jamais utiliser le cordon pour porter, tirer ou débrancher l'outil électrique. Maintenir le cordon à l'écart de la chaleur, du lubrifiant, des arêtes vives ou des parties en mouvement.** Des cordons endommagés ou emmêlés augmentent le risque de choc électrique.
- ▶ **Lorsqu'on utilise un outil électrique à l'extérieur, utiliser un prolongateur adapté à l'utilisation extérieure.**

L'utilisation d'un cordon adapté à l'utilisation extérieure réduit le risque de choc électrique.

- ▶ **Si l'usage d'un outil électrique dans un emplacement humide est inévitable, utiliser une alimentation protégée par un dispositif à courant différentiel résiduel (RCD).** L'usage d'un RCD réduit le risque de choc électrique.

Sécurité des personnes

- ▶ **Rester vigilant, regarder ce que vous êtes en train de faire et faire preuve de bon sens dans votre utilisation de l'outil électrique. Ne pas utiliser un outil électrique lorsque vous êtes fatigué ou sous l'emprise de drogues, de l'alcool ou de médicaments.** Un moment d'inattention en cours d'utilisation d'un outil électrique peut entraîner des blessures graves.
- ▶ **Utiliser un équipement de protection individuelle. Toujours porter une protection pour les yeux.** Les équipements de protection individuelle tels que les masques contre les poussières, les chaussures de sécurité antidérapantes, les casques ou les protections auditives utilisés pour les conditions appropriées réduisent les blessures.
- ▶ **Éviter tout démarrage intempestif. S'assurer que l'interrupteur est en position arrêt avant de brancher l'outil au secteur et/ou au bloc de batteries, de le ramasser ou de le porter.** Porter les outils électriques en ayant le doigt sur l'interrupteur ou brancher des outils électriques dont l'interrupteur est en position marche est source d'accidents.
- ▶ **Retirer toute clé de réglage avant de mettre l'outil électrique en marche.** Une clé laissée fixée sur une partie tournante de l'outil électrique peut donner lieu à des blessures.
- ▶ **Ne pas se précipiter. Garder une position et un équilibre adaptés à tout moment.** Cela permet un meilleur contrôle de l'outil électrique dans des situations inattendues.
- ▶ **S'habiller de manière adaptée. Ne pas porter de vêtements amples ou de bijoux. Garder les cheveux et les vêtements à distance des parties en mouvement.** Des vêtements amples, des bijoux ou les cheveux longs peuvent être pris dans des parties en mouvement.
- ▶ **Si des dispositifs sont fournis pour le raccordement d'équipements pour l'extraction et la récupération des poussières, s'assurer qu'ils sont connectés et correctement utilisés.** Utiliser des collecteurs de poussière peut réduire les risques dus aux poussières.
- ▶ **Rester vigilant et ne pas négliger les principes de sécurité de l'outil sous prétexte que vous avez l'habitude de l'utiliser.** Une fraction de seconde d'inattention peut provoquer une blessure grave.

Utilisation et entretien de l'outil électrique

- ▶ **Ne pas forcer l'outil électrique. Utiliser l'outil électrique adapté à votre application.** L'outil électrique adapté réalise mieux le travail et de manière plus sûre au régime pour lequel il a été construit.

- ▶ **Ne pas utiliser l'outil électrique si l'interrupteur ne permet pas de passer de l'état de marche à arrêt et inversement.** Tout outil électrique qui ne peut pas être commandé par l'interrupteur est dangereux et il faut le réparer.
- ▶ **Débrancher la fiche de la source d'alimentation et/ou enlever le bloc de batteries, s'il est amovible, avant tout réglage, changement d'accessoires ou avant de ranger l'outil électrique.** De telles mesures de sécurité préventives réduisent le risque de démarrage accidentel de l'outil électrique.
- ▶ **Conserver les outils électriques à l'arrêt hors de la portée des enfants et ne pas permettre à des personnes ne connaissant pas l'outil électrique ou les présentes instructions de le faire fonctionner.** Les outils électriques sont dangereux entre les mains d'utilisateurs novices.
- ▶ **Observer la maintenance des outils électriques et des accessoires. Vérifier qu'il n'y a pas de mauvais alignement ou de blocage des parties mobiles, des pièces cassées ou toute autre condition pouvant affecter le fonctionnement de l'outil électrique. En cas de dommages, faire réparer l'outil électrique avant de l'utiliser.** De nombreux accidents sont dus à des outils électriques mal entretenus.
- ▶ **Garder affûtés et propres les outils permettant de couper.** Des outils destinés à couper correctement entretenus avec des pièces coupantes tranchantes sont moins susceptibles de bloquer et sont plus faciles à contrôler.
- ▶ **Utiliser l'outil électrique, les accessoires et les lames etc., conformément à ces instructions, en tenant compte des conditions de travail et du travail à réaliser.** L'utilisation de l'outil électrique pour des opérations différentes de celles prévues peut donner lieu à des situations dangereuses.
- ▶ **Il faut que les poignées et les surfaces de préhension restent sèches, propres et dépourvues d'huiles et de graisses.** Des poignées et des surfaces de préhension glissantes rendent impossibles la manipulation et le contrôle en toute sécurité de l'outil dans les situations inattendues.

Maintenance et entretien

- ▶ **Faire entretenir l'outil électrique par un réparateur qualifié utilisant uniquement des pièces de rechange identiques.** Cela assure le maintien de la sécurité de l'outil électrique.

Instructions de sécurité pour meuleuses

- ▶ **Lors du travail, tenez fermement l'outil électroportatif des deux mains et veillez à toujours garder une position de travail stable.** Avec les deux mains, l'outil électroportatif est guidé en toute sécurité.
- ▶ **N'utilisez l'outil électroportatif que pour effectuer des ponçages à sec.** La pénétration d'eau à l'intérieur d'un

outil électroportatif augmente le risque de choc électrique.

► **Attention risque d'incendie ! Évitez tout échauffement du matériau poncé et de la ponceuse. Videz toujours le bac à poussière avant de faire une pause de travail.**

Les particules de poussière se trouvant dans le sac à poussières, le microfiltre, le sac en papier (ou dans le sac à poussières en tissu ou le filtre de l'aspirateur) peuvent s'enflammer d'elles-mêmes dans des conditions défavorables, par exemple en cas de projection d'étincelles lors du ponçage de pièces en métal. Ceci notamment lorsque des particules de poussières sont mélangées à des résidus de vernis, de polyuréthane ou d'autres substances chimiques et que les matériaux travaillés sont très chauds après avoir été travaillés pendant une période assez longue.

► **Nettoyez régulièrement les ouïes d'aération de l'outil électroportatif.** Le ventilateur du moteur attire la poussière à l'intérieur du carter et une accumulation excessive de poussière de métal accroît le risque de choc électrique.

► **Bloquez la pièce à travailler.** Une pièce à travailler serrée par des dispositifs de serrage appropriés ou dans un étau est fixée de manière plus sûre que quand elle est tenue avec une main.

► **Avant de poser l'outil électroportatif, attendez que celui-ci soit complètement à l'arrêt.**

Description des prestations et du produit



Lisez attentivement toutes les instructions et consignes de sécurité. Le non-respect des instructions et consignes de sécurité peut pro-

voquer un choc électrique, un incendie et/ou entraîner de graves blessures.

Référez-vous aux illustrations qui se trouvent à l'avant de la notice d'utilisation.

Utilisation conforme

L'outil électroportatif est conçu pour le ponçage à sec de surfaces en bois, matières plastiques, métal, mastic et surfaces vernies.

Éléments constitutifs

La numérotation des éléments se réfère à la représentation de l'outil électroportatif sur la page graphique.

- (1) Molette de présélection de vitesse d'oscillation (GSS 20-18 A)
- (2) Interrupteur Marche/Arrêt
- (3) Sac à poussière (GSS 20-18 A)
- (4) Barrette de serrage arrière
- (5) Étrier de serrage (2 x)
- (6) Plateau de ponçage
- (7) Feuille abrasive
- (8) Barrette de serrage avant
- (9) Poignée (surface de prise en main isolée)
- (10) Outil de perforation^{a)}
- (11) Vis de fixation de plateau de ponçage
- (12) Flexible d'aspiration^{a)}
- (13) Raccord d'aspiration (GSS 20-18 A)

a) Ces accessoires ne sont pas compris dans la fourniture.

Caractéristiques techniques

Ponceuse vibrante		GSS 20-18	GSS 20-18 A
Référence		3 601 K70 1..	3 601 K70 1..
Puissance absorbée nominale	W	200	200
Présélection de vitesse d'oscillation		-	●
Régime à vide	tr/min	12 000	8 000–12 000
Vitesse d'oscillation à vide	min ⁻¹	24 000	16 000–24 000
Diamètre d'amplitude	mm	2,0	2,0
Dimensions feuille abrasive			
- Auto-agrippante	mm	-	93 x 186
- Fixation par étriers	mm	93 x 230	93 x 230
Dimensions du plateau de ponçage	mm	90 x 183	90 x 183
Poids ^{a)}	kg	1,5	1,6

Ponceuse vibrante**GSS 20-18****GSS 20-18 A**

Classe de protection

□/II

□/II

A) Poids sans cordon d'alimentation ni fiche mâle

Les données indiquées sont valables pour une tension nominale [U] de 230 V. Elles peuvent varier lorsque la tension diffère de cette valeur et sur certaines versions destinées à certains pays.

Les valeurs peuvent varier selon le produit, les conditions d'utilisation et les conditions ambiantes. Pour plus d'informations, rendez-vous sur www.bosch-professional.com/wac.

Informations sur le niveau sonore/les vibrations

Valeurs d'émissions sonores déterminées conformément à **EN 62841-2-4**.

Le niveau sonore en dB(A) typique de l'outil électroportatif est de : niveau de pression acoustique **76 dB(A)** ; niveau de puissance acoustique **84 dB(A)**. Incertitude K = **3 dB**.

Portez un casque antibruit !

Valeurs globales de vibration a_h (somme vectorielle sur les trois axes) et incertitude K conformément à **EN 62841-2-4** :

$a_h = 3,2 \text{ m/s}^2$, K = **1,5 m/s²**

Le niveau de vibration et la valeur d'émission sonore indiqués dans cette notice d'utilisation ont été mesurés selon une procédure de mesure normalisée et peuvent être utilisés pour établir une comparaison entre différents outils électroportatifs. Ils peuvent aussi servir de base à une estimation préliminaire du taux de vibration et du niveau sonore.

Le niveau de vibration et la valeur d'émission sonore indiqués s'appliquent pour les utilisations principales de l'outil électroportatif. Si l'outil électroportatif est utilisé pour d'autres applications, avec d'autres accessoires de travail ou sans avoir fait l'objet d'un entretien régulier, le niveau de vibration et la valeur d'émission sonore peuvent différer. Il peut en résulter des vibrations et un niveau sonore nettement plus élevés pendant toute la durée de travail.

Pour une estimation précise du niveau de vibration et du niveau sonore, il faut aussi prendre en considération les périodes pendant lesquelles l'outil est éteint ou bien en marche sans être vraiment en action. Il peut en résulter au final un niveau de vibration et un niveau sonore nettement plus faibles pendant toute la durée de travail.

Prévoyez des mesures de protection supplémentaires permettant de protéger l'utilisateur de l'effet des vibrations, par exemple : maintenance de l'outil électroportatif et des accessoires de travail, maintien des mains au chaud, organisation des procédures de travail.

Montage

- **Débranchez le câble d'alimentation de la prise avant d'effectuer des travaux quels qu'il soient sur l'outil électroportatif.**

Aspiration de poussières/de copeaux

Les poussières de matériaux tels que peintures contenant du plomb, certains bois, minéraux ou métaux, peuvent être nuisibles à la santé. Le contact avec les poussières ou leur inhalation peut entraîner des réactions allergiques et/ou des maladies respiratoires auprès de l'utilisateur ou des personnes se trouvant à proximité.

Certaines poussières telles que les poussières de chêne ou de hêtre sont considérées comme cancérigènes, surtout en association avec des additifs pour le traitement du bois (chromate, lasure). Les matériaux contenant de l'amiante ne doivent être travaillés que par des personnes qualifiées.

- Si possible, utilisez un dispositif d'aspiration des poussières approprié au matériau.
- Veillez à bien aérer la zone de travail.
- Il est recommandé de porter un masque respiratoire avec un niveau de filtration de classe P2.

Respectez les règlements spécifiques aux matériaux à traiter en vigueur dans votre pays.

- **Évitez toute accumulation de poussières sur le lieu de travail.** Les poussières peuvent facilement s'enflammer.

Aspiration des poussières avec sac à poussière (voir figures G-K)

Pour vider le sac à poussière, dégagez le sac à poussière complet **(3)** du raccord d'aspiration **(13)**.

Dévissez le couvercle du sac à poussière. Videz le sac à poussière et revissez le couvercle.

Emboîtez le sac à poussière complet **(3)** sur la tubulure d'aspiration **(13)** jusqu'au ras de l'outil.

Remarque : Pour obtenir une aspiration optimale des poussières, videz le sac à poussière **(3)** à temps.

Lors d'une utilisation sur des surfaces verticales, tenez l'outil électroportatif de sorte que le sac à poussière **(3)** soit dirigé vers le bas.

Aspiration au moyen d'un aspirateur (voir figure L)

Raccordez un flexible d'aspiration **(12)** à la tubulure de sortie d'air **(13)**.

Raccordez l'autre extrémité du flexible d'aspiration **(12)** à un aspirateur. Vous trouverez à la fin de cette notice une vue d'ensemble des aspirateurs auxquels peut être raccordé l'outil électroportatif.

L'aspirateur doit être conçu pour le type de matériau à poncer.

Pour l'aspiration de poussières particulièrement nuisibles à la santé, cancérigènes ou sèches, utilisez un aspirateur spécial.

En Allemagne, la directive TRGS 553 impose l'utilisation de dispositifs d'aspiration pour les poussières de bois : l'aspiration directe au moyen de filtres est interdite dans le domaine professionnel. Pour les autres matériaux, le professionnel qui utilise l'outil professionnel doit se conformer aux exigences spécifiques de l'association professionnelle compétente.

Changement de feuille abrasive

Avant de monter une nouvelle feuille abrasive, enlevez les poussières et saletés qui se trouvent sur le plateau de ponçage (6) avec par ex. un pinceau.

Afin de garantir une bonne aspiration de la poussière, assurez-vous que les perforations de la feuille abrasive et du plateau de ponçage coïncident.

Feuilles abrasives auto-agrippantes (voir figure A) Seulement disponible pour certaines versions de l'outil électroportatif GSS 20-18 A :

Le plateau de ponçage (6) est doté d'un revêtement auto-agrippant permettant la fixation rapide et simple des feuilles abrasives auto-agrippantes.

Pour obtenir une adhérence optimale, tapotez légèrement sur le revêtement auto-agrippant du plateau de ponçage (6) avant de placer la feuille abrasive (7).

Appliquez l'un des bords de la feuille abrasive (7) juste au ras du plateau de ponçage (6) et plaquez ensuite la feuille abrasive contre le plateau en appuyant fermement.

Pour retirer la feuille abrasive (7), saisissez-la au niveau de l'un des coins et détachez-la du plateau de ponçage (6).

Feuilles abrasives sans revêtement auto-agrippant (voir figures B-D)

- ❶ Débloquez les deux étriers de serrage (5) et basculez-les vers le bas.
- ❷ Introduisez la feuille abrasive (7) sous la barrette de serrage arrière (4). Veillez à ce que la feuille abrasive (7) ne soit pas trop courte et à ce qu'elle soit correctement serrée. Ramenez l'étrier de serrage (5) dans sa position de départ et verrouillez-le.
- ❸ Placez la feuille abrasive autour du plateau de ponçage (6) en veillant à ce qu'elle soit bien tendue. Fixez et bloquez la partie avant de la feuille abrasive sous la barrette de serrage avant (8). Veillez à ce que la feuille abrasive (7) ne soit pas trop courte et à ce qu'elle soit correctement serrée. Ramenez l'étrier de serrage (5) dans sa position de départ et verrouillez-le.

Pour retirer la feuille abrasive (7), débloquez les deux étriers de serrage (5) et dégagez la feuille abrasive.

Les feuilles abrasives non perforées (par ex. vendues au mètre ou sur rouleaux) peuvent être perforées à l'aide de l'outil de perforation (10) pour permettre l'aspiration des poussières. Plaquez pour cela l'outil électroportatif muni de la feuille abrasive contre l'outil de perforation (voir figure E).

Choix de la feuille abrasive

Les feuilles abrasives doivent être choisies en fonction du matériau à poncer et de l'enlèvement de matière souhaité :

	Grain
red:Wood	40 - 240

Pour poncer tous les bois et dérivés

Pour le préponçage, p. ex. de poutres et de planches rugueuses, non rabotées

	Grain
Pour le ponçage plan et la correction d'inégalités et aspérités de surface	moyen 80, 100, 120

Pour le ponçage fin et de finition de bois durs

	fin	180, 240
--	-----	----------

White:Paint

40 - 320

Pour enlever des couches de peinture/vernis ou pour poncer des apprêts d'adhérence ou garnissants et du mastic

Pour poncer des couches de base de peinture

Pour le ponçage de couches de primaire

Pour le ponçage finition d'apprêts avant laquage

Remplacement du plateau de ponçage (voir figure F)

Le plateau de ponçage (6) peut être remplacé en cas de besoin.

Dévissez complètement les 4 vis (11) et retirez le plateau de ponçage (6). Montez le nouveau plateau de ponçage (6) et resserrez les vis.

Utilisation

Mise en marche

- **Tenez compte de la tension secteur !** La tension du secteur doit correspondre aux indications se trouvant sur la plaque signalétique de l'outil électroportatif.

Mise en marche/arrêt

- **Assurez-vous de pouvoir actionner l'interrupteur Marche/Arrêt sans avoir à relâcher la poignée.**

Pour **mettre en marche** l'outil électroportatif, poussez l'interrupteur Marche/Arrêt (2) vers l'avant jusque dans la position « I ».

Pour **arrêter** l'outil électroportatif, poussez l'interrupteur Marche/Arrêt (2) vers l'arrière jusque dans la position « 0 ».

Présélection de la vitesse d'oscillation

La molette de présélection (1) permet de présélectionner la vitesse d'oscillation voulue, même en cours de fonctionnement.

La vitesse d'oscillation requise dépend du type de matériau et des conditions de travail. Elle peut être déterminée par des essais pratiques.

Instructions d'utilisation

- **Débranchez le câble d'alimentation de la prise avant d'effectuer des travaux quels qu'il soient sur l'outil électroportatif.**
- **Avant de poser l'outil électroportatif, attendez que celui-ci soit complètement à l'arrêt.**

Les performances de ponçage dépendent essentiellement du choix de la feuille abrasive ainsi que de la vitesse présélectionnée (1).

Seuls des disques abrasifs en parfait état assurent de bons résultats et ménagent l'outil électroportatif.

Veillez à toujours exercer une pression régulière, afin d'augmenter la durée de vie des disques abrasifs.

Une pression trop élevée n'améliore pas les performances de ponçage mais augmente l'usure de l'outil électroportatif et conduit à un endommagement prématuré du plateau de ponçage.

Un disque abrasif utilisé pour poncer du métal ne doit ensuite pas être utilisé pour poncer d'autres matériaux.

N'utilisez que des accessoires de ponçage **Bosch** d'origine.

Entretien et Service après-vente

Nettoyage et entretien

- ▶ **Débranchez le câble d'alimentation de la prise avant d'effectuer des travaux quels qu'il soient sur l'outil électroportatif.**
- ▶ **Toujours tenir propres l'outil électroportatif ainsi que les fentes de ventilation afin d'obtenir un travail impeccable et sûr.**

Dans le cas où il s'avère nécessaire de remplacer le câble d'alimentation, confiez le remplacement à **Bosch** ou une station de Service Après-Vente agréée pour outillage **Bosch** afin de ne pas compromettre la sécurité.

Service après-vente et conseil utilisateurs

Notre Service Après-Vente répond à vos questions concernant la réparation et l'entretien de votre produit et les pièces de rechange. Des vues éclatées ainsi que des informations concernant les pièces de rechange se trouvent également sous : www.bosch-pt.com

L'équipe de conseil utilisateurs Bosch se tient à votre disposition pour répondre à vos questions concernant nos produits et leurs accessoires.

Pour toute demande de renseignement ou commande de pièces de rechange, nous préciser impérativement le numéro d'article à dix chiffres indiqué sur la plaque signalétique du produit.

Maroc

Robert Bosch Morocco SARL
53, Rue Lieutenant Mahroud Mohamed
20300 Casablanca
Tel. : +212 5 29 31 43 27
E-Mail : sav.outillage@ma.bosch.com

Vous trouverez d'autres adresses de service sous :

www.bosch-pt.com/serviceaddresses

Élimination des déchets

Les outils électroportatifs, ainsi que leurs accessoires et emballages, doivent pouvoir suivre chacun une voie de recyclage appropriée.



Ne jetez pas les outils électroportatifs avec les ordures ménagères !

Português

Instruções de segurança

Instruções gerais de segurança para ferramentas eléctricas

AVISO

Devem ser lidas todas as indicações de segurança,

instruções, ilustrações e especificações desta ferramenta eléctrica. O desrespeito das instruções apresentadas abaixo poderá resultar em choque eléctrico, incêndio e/ou ferimentos graves.

Guarde bem todas as advertências e instruções para futura referência.

O termo "ferramenta eléctrica" utilizado a seguir nas indicações de advertência, refere-se a ferramentas eléctricas operadas com corrente de rede (com cabo de rede) e a ferramentas eléctricas operadas com acumulador (sem cabo de rede).

Segurança da área de trabalho

- ▶ **Mantenha a sua área de trabalho sempre limpa e bem iluminada.** Desordem ou áreas de trabalho insuficientemente iluminadas podem levar a acidentes.
- ▶ **Não trabalhar com a ferramenta eléctrica em áreas com risco de explosão, nas quais se encontrem líquidos, gases ou pós inflamáveis.** Ferramentas eléctricas produzem faíscas, que podem inflamar pós ou vapores.
- ▶ **Manter crianças e outras pessoas afastadas da ferramenta eléctrica durante a utilização.** No caso de distração é possível que perca o controlo sobre o aparelho.

Segurança eléctrica

- ▶ **A ficha de conexão da ferramenta eléctrica deve caber na tomada. A ficha não deve ser modificada de maneira alguma. Não utilizar uma ficha de adaptação junto com ferramentas eléctricas protegidas por ligação à terra.** Fichas não modificadas e tomadas apropriadas reduzem o risco de um choque eléctrico.
- ▶ **Evitar que o corpo possa entrar em contacto com superfícies ligadas à terra, como tubos, aquecimentos, fogões e frigoríficos.** Há um risco elevado devido a um choque eléctrico, se o corpo estiver ligado à terra.
- ▶ **Manter o aparelho afastado de chuva ou humidade.** A infiltração de água numa ferramenta eléctrica aumenta o risco de choque eléctrico.

- ▶ **Não deverá utilizar o cabo para outras finalidades. Nunca utilizar o cabo para transportar a ferramenta eléctrica, para pendurá-la, nem para puxar a ficha da tomada. Manter o cabo afastado do calor, do óleo, de arestas afiadas ou de peças em movimento.** Cabos danificados ou emaranhados aumentam o risco de um choque eléctrico.
- ▶ **Se trabalhar com uma ferramenta eléctrica ao ar livre, só deverá utilizar cabos de extensão apropriados para áreas exteriores.** A utilização de um cabo de extensão apropriado para áreas exteriores reduz o risco de um choque eléctrico.
- ▶ **Se não for possível evitar o funcionamento da ferramenta eléctrica em áreas húmidas, deverá ser utilizado um disjuntor de corrente de avaria.** A utilização de um disjuntor de corrente de avaria reduz o risco de um choque eléctrico.

Segurança de pessoas

- ▶ **Esteja atento, observe o que está a fazer e tenha prudência ao trabalhar com a ferramenta eléctrica. Não utilizar uma ferramenta eléctrica quando estiver fático e sob a influência de drogas, álcool ou medicamentos.** Um momento de descuido ao utilizar a ferramenta eléctrica, pode levar a lesões graves.
- ▶ **Utilizar equipamento de protecção individual. Utilizar sempre óculos de protecção.** A utilização de equipamento de protecção pessoal, como máscara de protecção contra pó, sapatos de segurança antiderrapantes, capacete de segurança ou protecção auricular, de acordo com o tipo e aplicação da ferramenta eléctrica, reduz o risco de lesões.
- ▶ **Evitar uma colocação em funcionamento involuntária. Assegure-se de que a ferramenta eléctrica esteja desligada, antes de conectá-la à alimentação de rede e/ou ao acumulador, antes de levantá-la ou de transportá-la.** Se tiver o dedo no interruptor ao transportar a ferramenta eléctrica ou se o aparelho for conectado à alimentação de rede enquanto estiver ligado, poderão ocorrer acidentes.
- ▶ **Remover ferramentas de ajuste ou chaves de boca antes de ligar a ferramenta eléctrica.** Uma ferramenta ou chave que se encontre numa parte do aparelho em movimento pode levar a lesões.
- ▶ **Evite uma posição anormal. Mantenha uma posição firme e mantenha sempre o equilíbrio.** Desta forma é mais fácil controlar a ferramenta eléctrica em situações inesperadas.
- ▶ **Usar roupa apropriada. Não usar roupa larga nem jóias. Mantenha os cabelos e roupas afastados de peças em movimento.** Roupas frouxas, cabelos longos ou jóias podem ser agarrados por peças em movimento.
- ▶ **Se for possível montar dispositivos de aspiração ou de recolha, assegure-se de que estejam conectados e utilizados correctamente.** A utilização de uma aspiração de pó pode reduzir o perigo devido ao pó.

- ▶ **Não deixe que a familiaridade resultante de uma utilização frequente de ferramentas permita que você se torne complacente e ignore os princípios de segurança da ferramenta.** Uma acção descuidada pode causar ferimentos graves numa fracção de segundo.

Utilização e manuseio cuidadoso de ferramentas eléctricas

- ▶ **Não sobrecarregue a ferramenta eléctrica. Utilize a ferramenta eléctrica apropriada para o seu trabalho.** É melhor e mais seguro trabalhar com a ferramenta eléctrica apropriada na área de potência indicada.
- ▶ **Não utilizar uma ferramenta eléctrica com um interruptor defeituoso.** Uma ferramenta eléctrica que não pode mais ser ligada nem desligada, é perigosa e deve ser reparada.
- ▶ **Puxar a ficha da tomada e/ou remover o acumulador, se amovível, antes de executar ajustes na ferramenta eléctrica, de substituir acessórios ou de guardar as ferramentas eléctricas.** Esta medida de segurança evita o arranque involuntário da ferramenta eléctrica.
- ▶ **Guardar ferramentas eléctricas não utilizadas fora do alcance de crianças e não permitir que as pessoas que não estejam familiarizadas com o aparelho ou que não tenham lido estas instruções utilizem o aparelho.** Ferramentas eléctricas são perigosas se forem utilizadas por pessoas inexperientes.
- ▶ **Tratar a ferramenta eléctrica e os acessórios com cuidado. Controlar se as partes móveis do aparelho funcionam perfeitamente e não emperram, e se há peças quebradas ou danificadas que possam prejudicar o funcionamento da ferramenta eléctrica. Permitir que peças danificadas sejam reparadas antes da utilização.** Muitos acidentes têm como causa, a manutenção insuficiente de ferramentas eléctricas.
- ▶ **Manter as ferramentas de corte afiadas e limpas.** Ferramentas de corte cuidadosamente tratadas e com cantos de corte afiados emperram com menos frequência e podem ser conduzidas com maior facilidade.
- ▶ **Utilizar a ferramenta eléctrica, acessórios, ferramentas de aplicação, etc. conforme estas instruções. Considerar as condições de trabalho e a tarefa a ser executada.** A utilização de ferramentas eléctricas para outras tarefas a não ser as aplicações previstas, pode levar a situações perigosas.
- ▶ **Mantenha os punhos e as superfícies de agarrar secas, limpas e livres de óleo e massa consistente.** Punhos e superfícies de agarrar escorregadias não permitem o manuseio e controle seguros da ferramenta em situações inesperadas.

Serviço

- ▶ **Só permita que o seu aparelho seja reparado por pessoal especializado e qualificado e só com peças de reposição originais.** Desta forma é assegurado o funcionamento seguro do aparelho.

Instruções de segurança para lixadeira

▶ Durante o trabalho, segure a ferramenta elétrica com as duas mãos e providencie uma estabilidade segura.

A ferramenta elétrica é conduzida com maior segurança com ambas as mãos.

▶ Use a ferramenta elétrica apenas para lixamento a seco.

A infiltração de água numa ferramenta elétrica aumenta o risco de choque elétrico.

▶ Atenção, perigo de incêndio! Evite um sobreaquecimento do material de lixar e da lixadeira. Esvazie sempre o reservatório de pó antes de pausas no trabalho.

O pó de lixa no saco coletor do pó, no microfiltro, no saco de papel (ou no saco do filtro ou no filtro do aspirador) pode incendiar-se sob circunstâncias desfavoráveis como faíscas ao lixar metais. Existe perigo especialmente quando o pó de lixa está misturado com restos de verniz, poliuretano ou outras substâncias químicas e o material de lixar está quente após longo período de trabalho.

▶ Limpe com regularidade as aberturas de ventilação da sua ferramenta elétrica.

A ventoinha do motor puxa pó para dentro da carcaça, e uma grande quantidade de pó de metal pode causar perigos elétricos.

▶ Fixar a peça a ser trabalhada.

Uma peça a ser trabalhada fixa com dispositivos de aperto ou com torno de bancada está mais firme do que segurada com a mão.

▶ Espere a ferramenta elétrica parar completamente, antes de depositá-la.

Descrição do produto e do serviço



Leia todas as instruções de segurança e instruções. A inobservância das instruções de segurança e das instruções pode causar

choque elétrico, incêndio e/ou ferimentos graves.

Respeite as figuras na parte da frente do manual de instruções.

Utilização adequada

A ferramenta elétrica destina-se ao lixamento a seco de madeira, plástico, metal, massa de aparelhar e superfícies pintadas.

Componentes ilustrados

A numeração dos componentes ilustrados refere-se à apresentação da ferramenta elétrica na página de esquemas.

- (1) Roda de ajuste da pré-seleção do número de oscilações (GSS 20-18 A)
- (2) Interruptor de ligar/desligar
- (3) Saco do pó (GSS 20-18 A)
- (4) Barra de aperto traseira
- (5) Grampo de fixação (2x)
- (6) Placa de lixar
- (7) Folha de lixa
- (8) Barra de aperto dianteira
- (9) Punho (superfície do punho isolada)
- (10) Placa para furar folhas de lixa^{a)}
- (11) Parafusos para a placa de lixar
- (12) Mangueira de aspiração^{a)}
- (13) Bocal de sopro (GSS 20-18 A)

a) **Este acessório não pertence ao volume de fornecimento.**

Dados técnicos

Lixadeira orbital		GSS 20-18	GSS 20-18 A
Número de produto		3 601 K70 1..	3 601 K70 1..
Potência nominal absorvida	W	200	200
Pré-seleção do número de oscilações		-	●
N.º de rotações em vazio	r.p.m.	12000	8000–12000
Número de oscilações em vazio	o.p.m.	24000	16000–24000
Diâmetro do círculo de oscilação	mm	2,0	2,0
Dimensões da folha de lixa			
– Fixação auto aderente	mm	-	93 x 186
– Tensão de aperto	mm	93 x 230	93 x 230
Dimensões da placa de lixar	mm	90 x 183	90 x 183
Peso ^{A)}	kg	1,5	1,6

A) Peso sem cabo de ligação à rede e sem ficha de rede

Os dados aplicam-se a uma tensão nominal [U] de 230 V. Com tensões divergentes e em versões específicas do país, estes dados podem variar.

Os valores podem variar em função do produto e estar sujeitos a condições de aplicação e do meio ambiente. Para mais informações consulte www.bosch-professional.com/wac.

Informação sobre ruídos/vibrações

Os valores de emissão de ruído foram determinados de acordo com **EN 62841-2-4**.

O nível sonoro avaliado como A da ferramenta elétrica é normalmente de: nível de pressão sonora **76 dB(A)**; nível de potência sonora **84 dB(A)**. Incerteza K = **3 dB**.

Utilizar proteção auditiva!

Valores totais de vibração a_h (soma dos vetores das três direções) e incerteza K determinada segundo

EN 62841-2-4:

$$a_h = 3,2 \text{ m/s}^2, K = 1,5 \text{ m/s}^2$$

O nível de vibrações indicado nestas instruções e o valor de emissões sonoras foram medidos de acordo com um processo de medição normalizado e podem ser utilizados para a comparação de ferramentas elétricas. Também são adequados para uma avaliação provisória das emissões sonoras e de vibrações.

O nível de vibrações indicado e o valor de emissões sonoras representam as aplicações principais da ferramenta elétrica. Se a ferramenta elétrica for utilizada para outras aplicações, com outras ferramentas de trabalho ou com manutenção insuficiente, é possível que o nível de vibrações e de emissões sonoras seja diferente. Isto pode aumentar sensivelmente a emissão sonora e de vibrações para o período completo de trabalho.

Para uma estimação exata da emissão sonora e de vibrações, também deveriam ser considerados os períodos nos quais o aparelho está desligado ou funciona, mas não está sendo utilizado. Isto pode reduzir a emissão sonora e de vibrações durante o completo período de trabalho.

Além disso também deverão ser estipuladas medidas de segurança para proteger o operador contra o efeito de vibrações, como por exemplo: manutenção de ferramentas elétricas e acessórios, manter as mãos quentes e organização dos processos de trabalho.

Montagem

- ▶ **Antes de todos trabalhos na ferramenta elétrica deverá puxar a ficha de rede da tomada.**

Aspiração de pó/de aparas

Pós de materiais como por exemplo, tintas que contém chumbo, alguns tipos de madeira, minerais e metais, podem ser nocivos à saúde. O contacto ou a inalação dos pós pode provocar reações alérgicas e/ou doenças nas vias respiratórias do utilizador ou das pessoas que se encontrem por perto.

Certos pós, como por exemplo pó de carvalho e faia são considerados como sendo cancerígenos, especialmente

quando juntos com substâncias para o tratamento de madeiras (cromato, produtos de proteção da madeira). Material que contém asbesto só deve ser processado por pessoal especializado.

- Se possível deverá usar um dispositivo de aspiração de pó apropriado para o material.
- Assegurar uma boa ventilação do local de trabalho.
- É recomendável usar uma máscara de proteção respiratória com filtro da classe P2.

Observe as diretivas para os materiais a serem processados, vigentes no seu país.

- ▶ **Evite a acumulação de pó no local de trabalho.** Pós podem entrar levemente em ignição.

Aspiração integrada com saco do pó (ver figuras G-K)

Para esvaziar o saco do pó retire o saco do pó (3) completamente do bocal de sopra (13).

Desenrosque a tampa do saco do pó. Esvazie o saco do pó e volte a enroscar a tampa.

Coloque e empurre todo o saco do pó (3) sobre o bocal de sopra (13) até estar nivelado com a ferramenta.

Nota: Para assegurar uma aspiração de pó ideal, esvazie atempadamente o saco do pó (3).

Ao trabalhar em superfícies verticais, segure a ferramenta elétrica de modo a que o saco do pó (3) aponte para baixo.

Aspiração externa (ver figura L)

Insira uma mangueira de aspiração (12) no bocal de aspiração (13).

Ligue a mangueira de aspiração (12) a um aspirador (acessório). Encontra um resumo da ligação aos diferentes aspiradores no final deste manual.

O aspirador de pó deve ser apropriado para o material a ser trabalhado.

Utilize um aspirador especial para aspirar pó que seja extremamente nocivo à saúde, cancerígeno ou seco.

Na Alemanha, o TRGS 553 (regulamento técnico para substâncias perigosas alemão) requer dispositivos de aspiração testados para pós de madeira, e a aspiração integrada não pode ser usada no setor comercial. Para outros materiais, o operador profissional deve esclarecer os requisitos especiais com a associação profissional responsável.

Substituir a folha de lixar

Antes de colocar uma folha de lixa nova, remova a sujidade e o pó da placa de lixar (6), p. ex. com um pincel.

Para garantir uma aspiração de pó ideal, certifique-se de que os furos da folha de lixa coincidem com os furos na placa de lixar.

Folhas de lixa com fixação autoaderente (ver figura A) Disponível apenas em algumas versões da ferramenta elétrica GSS 20-18 A :

A superfície da placa de lixar (6) é composta por um tecido autoaderente, para que possa fixar as folhas de lixa de forma simples e rápida por meio de autoaderência.

Sacuda o tecido de fixação autoaderente da placa de lixar (6) antes de colocar a folha de lixa (7), para permitir uma boa aderência.

Coloque a folha de lixa (7) à face num lado da placa de lixar (6), depois coloque a folha de lixa sobre a placa de lixar e pressione-a bem.

Para retirar a folha de lixa (7) pegue-a pela ponta e puxe-a da placa de lixar (6).

Folhas de lixa sem fixação autoaderente (ver figuras B-D)

- ❶ Solte ambos os grampos de fixação (5) do sistema de retenção e vire-os para baixo.
- ❷ Introduza a folha de lixa (7) por baixo da régua de aperto (4). Certifique-se de que a folha de lixa (7) não é demasiado curta e está fixa de forma correta. Volte a virar o grampo de fixação (5) para a posição de partida e fixe-o.
- ❸ Coloque a folha de lixa bem esticada sobre a placa de lixar (6). Prenda a parte da frente da folha de lixa por baixo do grampo de fixação dianteiro (8). Certifique-se de que a folha de lixa (7) não é demasiado curta e está fixa de forma correta. Volte a virar o grampo de fixação (5) para a posição de partida e fixe-o.

Para remover a folha de lixa (7) solte ambos os grampos de fixação (5) e puxe a folha de lixa do respetivo suporte.

As folhas de lixa sem furos, p.ex. vendidas em rolos ou a metro, podem ser perfuradas por si com a placa para furar folhas de lixa (10), para a aspiração de pó. Para o fazer, pressione a ferramenta elétrica com a folha de lixa montada contra a placa para furar folhas de lixa (veja figura E).

Seleção da folha de lixa

Estão disponíveis diversas folhas de lixar, de acordo com o material a ser trabalhado e com o desbaste desejado da superfície:

	Grão	
red:Wood	40 – 240	
Para processamento de derivados de madeira		
Para lixamento prévio, por exemplo de vigas e tábuas ásperas e não planas	grosseir	40, 60 a
Para alisar e para nivelar pequenos desníveis	média	80, 100, 120
Para o acabamento fino de lixar madeiras duras	fina	180, 240
white:Paint	40 – 320	

Grão

Para o processamento de camadas de tintas e vernizes ou primeira demão como betume de enchimento e massa de aparelhar

Para lixar tinta	grosseir	40, 60 a
Para lixar tinta de primeira demão	média	80, 100, 120
Para o acabamento final de primeiras demãos antes de envernizar	fina	180, 240, 320

Trocar a placa de lixar (ver figura F)

A placa de lixar (6) pode ser trocada se necessário.

Desaperte por completo os 4 parafusos (11) e retire a placa de lixar (6). Coloque uma nova placa de lixar (6) e volte a apertar os parafusos.

Funcionamento

Colocação em funcionamento

- **Observar a tensão de rede!** A tensão da fonte de corrente elétrica deve coincidir com os dados que constam na placa de características da ferramenta elétrica.

Ligar/desligar

- **Certifique-se de que consegue acionar o interruptor de ligar/desligar sem ter de soltar o punho.**

Para **ligar** a ferramenta elétrica desloque o interruptor de ligar/desligar (2) para a frente para a posição "I".

Para **desligar** a ferramenta elétrica desloque o interruptor de ligar/desligar (2) para trás para a posição "0".

Pré-selecionar o n.º de oscilações

Com a roda da pré-seleção do número de oscilações (1) pode pré-selecionar o n.º de oscilações necessário mesmo durante o funcionamento.

O n.º de oscilações necessário depende do material e das condições de trabalho e pode ser determinado por tentativas.

Instruções de trabalho

- **Antes de todos trabalhos na ferramenta elétrica deverá puxar a ficha de rede da tomada.**
- **Espere a ferramenta elétrica parar completamente, antes de depositá-la.**

O rendimento de desbaste ao lixar é determinado essencialmente pela seleção da folha de lixa, bem como pelo número de oscilações pré-selecionado (1).

Apenas folhas de lixar impecáveis garantem um excelente rendimento de desbaste e a proteção da ferramenta elétrica. Trabalhar com uma força de pressão uniforme para aumentar a vida útil das folhas de lixar.

Demasiada pressão não resulta num melhor rendimento de desbaste, mas sim num maior desgaste da ferramenta eléctrica e na falha precoce da ferramenta de lixar.

Jamais utilizar uma folha de lixa com a qual foi processado metal, para processar outros materiais.

Use apenas acessórios de lixar **Bosch** originais.

Manutenção e assistência técnica

Manutenção e limpeza

- ▶ **Antes de todos trabalhos na ferramenta eléctrica deverá puxar a ficha de rede da tomada.**
- ▶ **Mantener a ferramenta eléctrica e as aberturas de ventilação sempre limpas, para trabalhar bem e de forma segura.**

Se for necessário instalar um cabo de ligação, a instalação deve ser feita pela **Bosch** ou por um centro de serviço autorizado para ferramentas eléctricas **Bosch**, para evitar perigos de segurança.

Serviço pós-venda e aconselhamento

O serviço pós-venda responde às suas perguntas a respeito de serviços de reparação e de manutenção do seu produto, assim como das peças sobressalentes. Desenhos explodidos e informações sobre peças sobressalentes encontram-se em: www.bosch-pt.com

A nossa equipa de consultores Bosch esclarece com prazer todas as suas dúvidas a respeito dos nossos produtos e acessórios.

Indique para todas as questões e encomendas de peças sobressalentes a referência de 10 dígitos de acordo com a placa de características do produto.

Brasil

Robert Bosch Ltda. – Divisão de Ferramentas Eléctricas
Rodovia Anhanguera, Km 98 - Parque Via Norte
13065-900, CP 1195
Campinas, São Paulo
Tel.: 0800 7045 446
www.bosch.com.br/contato

Outros endereços de serviço encontram-se em:

www.bosch-pt.com/serviceaddresses

Eliminação

Ferramentas eléctricas, acessórios e embalagens devem ser enviados a uma reciclagem ecológica de matérias-primas.



Não deitar ferramentas eléctricas no lixo doméstico!

Español

Indicaciones de seguridad

Indicaciones generales de seguridad para herramientas eléctricas

⚠ ADVERTENCIA Lea íntegramente las advertencias de peligro, las instrucciones, las ilustraciones y las especificaciones entregadas con esta herramienta eléctrica. En caso de no atenderse a las instrucciones siguientes, ello puede ocasionar una descarga eléctrica, un incendio y/o una lesión grave.

Guardar todas las advertencias de peligro e instrucciones para futuras consultas.

El término "herramienta eléctrica" empleado en las siguientes advertencias de peligro se refiere a herramientas eléctricas de conexión a la red (con cable de red) y a herramientas eléctricas accionadas por acumulador (sin cable de red).

Seguridad del puesto de trabajo

- ▶ **Mantenga el área de trabajo limpia y bien iluminada.** Las áreas desordenadas u oscuras pueden provocar accidentes.
- ▶ **No utilice herramientas eléctricas en un entorno con peligro de explosión, en el que se encuentren combustibles líquidos, gases o material en polvo.** Las herramientas eléctricas producen chispas que pueden llegar a inflamar los materiales en polvo o vapores.
- ▶ **Mantenga alejados a los niños y otras personas de su puesto de trabajo al emplear la herramienta eléctrica.** Una distracción le puede hacer perder el control sobre la herramienta eléctrica.

Seguridad eléctrica

- ▶ **El enchufe de la herramienta eléctrica debe corresponder a la toma de corriente utilizada. No es admisible modificar el enchufe en forma alguna. No emplear adaptadores en herramientas eléctricas dotadas con una toma de tierra.** Los enchufes sin modificar adecuados a las respectivas tomas de corriente reducen el riesgo de una descarga eléctrica.
- ▶ **Evite que su cuerpo toque partes conectadas a tierra como tuberías, radiadores, cocinas y refrigeradores.** El riesgo a quedar expuesto a una sacudida eléctrica es mayor si su cuerpo tiene contacto con tierra.
- ▶ **No exponga la herramienta eléctrica a la lluvia o a condiciones húmedas.** Existe el peligro de recibir una descarga eléctrica si penetran ciertos líquidos en la herramienta eléctrica.
- ▶ **No abuse del cable de red. No utilice el cable de red para transportar o colgar la herramienta eléctrica, ni tire de él para sacar el enchufe de la toma de corriente. Mantenga el cable de red alejado del calor, aceite, esquinas cortantes o piezas móviles.** Los cables de red

dañados o enredados pueden provocar una descarga eléctrica.

- ▶ **Al trabajar con la herramienta eléctrica a la intemperie utilice solamente cables de prolongación apropiados para su uso al aire libre.** La utilización de un cable de prolongación adecuado para su uso en exteriores reduce el riesgo de una descarga eléctrica.
- ▶ **Si fuese imprescindible utilizar la herramienta eléctrica en un entorno húmedo, es necesario conectarla a través de un dispositivo de corriente residual (RCD) de seguridad (fusible diferencial).** La aplicación de un fusible diferencial reduce el riesgo a exponerse a una descarga eléctrica.

Seguridad de personas

- ▶ **Esté atento a lo que hace y emplee sentido común cuando utilice una herramienta eléctrica. No utilice la herramienta eléctrica si estuviese cansado, ni tampoco después de haber consumido drogas, alcohol o medicamentos.** El no estar atento durante el uso de la herramienta eléctrica puede provocarle serias lesiones.
- ▶ **Utilice un equipo de protección personal. Utilice siempre una protección para los ojos.** El riesgo a lesionarse se reduce considerablemente si se utiliza un equipo de protección adecuado como una mascarilla antipolvo, zapatos de seguridad con suela antideslizante, casco, o protectores auditivos.
- ▶ **Evite una puesta en marcha involuntaria. Asegurarse de que la herramienta eléctrica esté desconectada antes de conectarla a la toma de corriente y/o al montar el acumulador, al recogerla y al transportarla.** Si transporta la herramienta eléctrica sujetándola por el interruptor de conexión/desconexión, o si alimenta la herramienta eléctrica estando ésta conectada, ello puede dar lugar a un accidente.
- ▶ **Retire las herramientas de ajuste o llaves fijas antes de conectar la herramienta eléctrica.** Una herramienta de ajuste o llave fija colocada en una pieza rotante puede producir lesiones al poner a funcionar la herramienta eléctrica.
- ▶ **Evite posturas arriesgadas. Trabaje sobre una base firme y mantenga el equilibrio en todo momento.** Ello le permitirá controlar mejor la herramienta eléctrica en caso de presentarse una situación inesperada.
- ▶ **Lleve puesta una vestimenta de trabajo adecuada. No utilice vestimenta amplia ni joyas. Mantenga su pelo y vestimenta alejados de las piezas móviles.** La vestimenta suelta, el pelo largo y las joyas se pueden enganchar con las piezas en movimiento.
- ▶ **Si se proporcionan dispositivos para la conexión de las instalaciones de extracción y recogida de polvo, asegúrese que éstos estén conectados y que sean utilizados correctamente.** El empleo de estos equipos reduce los riesgos derivados del polvo.
- ▶ **No permita que la familiaridad ganada por el uso frecuente de herramientas eléctricas lo deje caer en la complacencia e ignorar las normas de seguridad de**

herramientas. Una acción negligente puede causar lesiones graves en una fracción de segundo.

Uso y trato cuidadoso de herramientas eléctricas

- ▶ **No sobrecargue la herramienta eléctrica. Utilice la herramienta eléctrica adecuada para su aplicación.** Con la herramienta eléctrica adecuada podrá trabajar mejor y más seguro dentro del margen de potencia indicado.
- ▶ **No utilice la herramienta eléctrica si el interruptor está defectuoso.** Las herramientas eléctricas que no se puedan conectar o desconectar son peligrosas y deben hacerse reparar.
- ▶ **Saque el enchufe de la red y/o retire el acumulador desmontable de la herramienta eléctrica, antes de realizar un ajuste, cambiar de accesorio o al guardar la herramienta eléctrica.** Esta medida preventiva reduce el riesgo a conectar accidentalmente la herramienta eléctrica.
- ▶ **Guarde las herramientas eléctricas fuera del alcance de los niños. No permita la utilización de la herramienta eléctrica a aquellas personas que no estén familiarizadas con su uso o que no hayan leído estas instrucciones.** Las herramientas eléctricas utilizadas por personas inexpertas son peligrosas.
- ▶ **Cuide las herramientas eléctricas y los accesorios. Controle la alineación de las piezas móviles, rotura de piezas y cualquier otra condición que pudiera afectar el funcionamiento de la herramienta eléctrica. En caso de daño, la herramienta eléctrica debe repararse antes de su uso.** Muchos de los accidentes se deben a herramientas eléctricas con un mantenimiento deficiente.
- ▶ **Mantenga los útiles limpios y afilados.** Los útiles mantenidos correctamente se dejan guiar y controlar mejor.
- ▶ **Utilice la herramienta eléctrica, los accesorios, los útiles, etc. de acuerdo a estas instrucciones, considerando en ello las condiciones de trabajo y la tarea a realizar.** El uso de herramientas eléctricas para trabajos diferentes de aquellos para los que han sido concebidas puede resultar peligroso.
- ▶ **Mantenga las empuñaduras y las superficies de las empuñaduras secas, limpias y libres de aceite y grasa.** Las empuñaduras y las superficies de las empuñaduras resbaladizas no permiten un manejo y control seguro de la herramienta eléctrica en situaciones imprevistas.

Servicio

- ▶ **Únicamente deje reparar su herramienta eléctrica por un experto cualificado, empleando exclusivamente piezas de repuesto originales.** Solamente así se mantiene la seguridad de la herramienta eléctrica.

Indicaciones de seguridad para lijadoras

- ▶ **Durante el trabajo, sostenga firmemente la herramienta eléctrica con ambas manos y cuide una posición segura.** Utilizando ambas manos la herramienta eléctrica es guiada de forma más segura.

- ▶ **Utilice la herramienta eléctrica solamente para el lijado en seco.** Existe el peligro de recibir una descarga eléctrica si penetran ciertos líquidos en la herramienta eléctrica.
- ▶ **¡Atención peligro de incendio! Evite un sobrecalentamiento de la pieza de trabajo y la lijadora. Vacíe siempre el contenedor de polvo antes de las pausas de trabajo.** El polvo abrasivo en el saco de polvo, en el microfiltro, en el saco de papel (o en la bolsa filtrante o bien en el filtro de la aspiradora) puede autoencenderse bajo condiciones desfavorables, así como la proyección de chispas durante el lijado de metales. Existe un riesgo particular si el polvo de lijado se mezcla con barniz, residuos de poliuretano u otras sustancias químicas y el material lijado está caliente después de un largo tiempo de trabajo.
- ▶ **Limpie regularmente las ranuras de ventilación de su herramienta eléctrica.** El ventilador del motor aspira polvo hacia el interior de la carcasa, por lo que, en caso de una acumulación fuerte de polvo metálico, ello puede provocarle una descarga eléctrica.
- ▶ **Asegure la pieza de trabajo.** Una pieza de trabajo fijada con unos dispositivos de sujeción, o en un tornillo de banco, se mantiene sujeta de forma mucho más segura que con la mano.
- ▶ **Espere a que se haya detenido la herramienta eléctrica antes de depositarla.**
- ▶ **El enchufe macho de conexión, debe ser conectado solamente a un enchufe hembra de las mismas características técnicas del enchufe macho en materia.**

las instrucciones pueden causar descargas eléctricas, incendios y/o lesiones graves.

Por favor, observe las ilustraciones en la parte inicial de las instrucciones de servicio.

Utilización reglamentaria

La herramienta eléctrica ha sido diseñada para lijar en seco madera, plástico, metal y superficies emplastecidas o pintadas.

Componentes principales

La numeración de los componentes representados se refiere a la imagen de la herramienta eléctrica en la página ilustrada.

- (1) Rueda de ajuste para la preselección del número de oscilaciones (GSS 20-18 A)
- (2) Interruptor de conexión/desconexión
- (3) Saco para polvo (GSS 20-18 A)
- (4) Regleta de sujeción trasera
- (5) Estribo de sujeción (2x)
- (6) Placa lijadora
- (7) Hoja lijadora
- (8) Regleta de sujeción delantera
- (9) Empuñadura (superficie de empuñadura aislada)
- (10) Dispositivo perforador^{a)}
- (11) Tornillos para placa lijadora
- (12) Manguera de aspiración^{a)}
- (13) Boquilla de salida (GSS 20-18 A)

a) **Estos accesorios no corresponden al material que se adjunta de serie.**

Descripción del producto y servicio



Lea íntegramente estas indicaciones de seguridad e instrucciones. Las faltas de observación de las indicaciones de seguridad y de

Datos técnicos

Lijadora orbital		GSS 20-18	GSS 20-18 A
Número de artículo		3 601 K70 1..	3 601 K70 1..
Potencia absorbida nominal	W	200	200
Preselección del número de oscilaciones		-	●
Número de revoluciones en vacío	min ⁻¹	12000	8000-12000
Número de oscilaciones en vacío	min ⁻¹	24000	16000-24000
Diámetro del círculo de oscilación	mm	2,0	2,0
Dimensiones de la hoja lijadora			
- Adherencia por contacto	mm	-	93 x 186
- Tensión de apriete	mm	93 x 230	93 x 230
Dimensiones de la placa lijadora	mm	90 x 183	90 x 183
Peso ^{A)}	kg	1,5	1,6

Lijadora orbital**GSS 20-18****GSS 20-18 A**

Clase de protección

□ / II

□ / II

A) Peso sin cable de conexión a la red y sin enchufe de red

Las indicaciones son válidas para una tensión nominal [U] de 230 V. Estas indicaciones pueden variar con tensiones divergentes y en ejecuciones específicas del país.

Los valores pueden variar dependiendo del producto y están sujetos a la aplicación y a las condiciones medioambientales. Más información en www.bosch-professional.com/wac.

Información sobre ruidos y vibraciones

Valores de emisión de ruidos determinados según **EN 62841-2-4**.

El nivel de ruidos valorado con A de la herramienta eléctrica asciende típicamente a: nivel de presión acústica **76 dB(A)**; nivel de potencia acústica **84 dB(A)**. Inseguridad K = **3 dB**.

¡Usar protección auditiva!

Valores totales de vibraciones a_h (suma de vectores de tres direcciones) e inseguridad K determinados según **EN 62841-2-4**:

$a_h = 3,2 \text{ m/s}^2$, $K = 1,5 \text{ m/s}^2$

El nivel de vibraciones y el valor de emisiones de ruidos indicados en estas instrucciones han sido determinados según un procedimiento de medición normalizado y pueden servir como base de comparación con otras herramientas eléctricas. También son adecuados para estimar provisionalmente la emisión de vibraciones y ruidos.

El nivel de vibraciones y el valor de emisiones de ruidos indicados han sido determinados para las aplicaciones principales de la herramienta eléctrica. Por ello, el nivel de vibraciones y el valor de emisiones de ruidos pueden ser diferentes si la herramienta eléctrica se utiliza para otras aplicaciones, con útiles diferentes, o si el mantenimiento de la misma fuese deficiente. Ello puede suponer un aumento drástico de la emisión de vibraciones y de ruidos durante el tiempo total de trabajo.

Para determinar con exactitud las emisiones de vibraciones y de ruidos, es necesario considerar también aquellos tiempos en los que el aparato esté desconectado, o bien, esté en funcionamiento, pero sin ser utilizado realmente. Ello puede suponer una disminución drástica de las emisiones de vibraciones y de ruidos durante el tiempo total de trabajo.

Fije unas medidas de seguridad adicionales para proteger al usuario de los efectos por vibraciones, como por ejemplo: Mantenimiento de la herramienta eléctrica y de los útiles, conservar calientes las manos, organización de las secuencias de trabajo.

Montaje

- **Antes de cualquier manipulación en la herramienta eléctrica, sacar el enchufe de red de la toma de corriente.**

Aspiración de polvo y virutas

El polvo de ciertos materiales como, pinturas que contengan plomo, ciertos tipos de madera y algunos minerales y metales, puede ser nocivo para la salud. El contacto y la inspiración de estos polvos pueden provocar en el usuario o en las

personas circundantes reacciones alérgicas y/o enfermedades respiratorias.

Ciertos polvos como los de roble, encina y haya son considerados como cancerígenos, especialmente en combinación con los aditivos para el tratamiento de la madera (cromatos, conservantes de la madera). Los materiales que contengan amianto solamente deberán ser procesados por especialistas.

- A ser posible utilice un equipo para aspiración de polvo apropiado para el material a trabajar.
- Observe que esté bien ventilado el puesto de trabajo.
- Se recomienda una mascarilla protectora con un filtro de la clase P2.

Observe las prescripciones vigentes en su país sobre los materiales a trabajar.

- **Evite acumulaciones de polvo en el puesto de trabajo.** Los materiales en polvo se pueden inflamar fácilmente.

Aspiración propia con saco colector de polvo (ver figuras G–K)

Para vaciar el saco de polvo, retire el saco de polvo completo **(3)** de la boquilla de soplado **(13)**.

Desenrosque la caperuza del saco para polvo. Vacíe la bolsa para polvo y vuelva a enroscar la caperuza.

Coloque y deslice el saco de polvo completo **(3)** sobre la boquilla de soplado **(13)**, hasta que quede enrasado con la herramienta.

Indicación: Para asegurar una óptima aspiración del polvo, vacíe el saco de polvo **(3)** a tiempo.

En caso de trabajos en superficies verticales, sujete la herramienta eléctrica de modo que el saco de polvo **(3)** apunte hacia abajo.

Aspiración externa (ver figura L)

Enchufe la manguera de aspiración **(12)** en la boquilla de expulsión **(13)**.

Empalme la manguera de aspiración **(12)** con una aspiradora (accesorio). Encontrará un resumen de las conexiones a distintas aspiradoras al final de estas instrucciones.

El aspirador debe ser adecuado para el material a trabajar.

Para aspirar polvo especialmente nocivo para la salud, cancerígeno, o polvo seco utilice un aspirador especial.

En Alemania, se requieren extractores de polvo certificados para polvos de madera basado en TRGS 553; la autoaspiración no se debe utilizar en el sector comercial. Para otros materiales, el operador comercial debe aclarar los requisitos especiales con la asociación profesional responsable.

Cambio de la hoja lijadora

Elimine la suciedad y el polvo del plato lijador **(6)** antes de colocar una nueva hoja lijadora, p. ej. con un pincel.

Para garantizar una aspiración óptima del polvo, asegúrese de que los recortes en la hoja lijadora coincidan con los orificios del plato lijador.

Hojas lijadoras con adherencia por contacto (ver figura A)

Sólo disponible en algunas versiones de la herramienta eléctrica GSS 20-18 A :

La placa lijadora **(6)** está equipada con un tejido de cierre por contacto, para que pueda fijar las hojas lijadoras con la sujeción de cierre por contacto en forma rápida y sencilla. Sacuda el tejido de cierre por contacto de la placa lijadora **(6)** antes de asentar la hoja lijadora **(7)**, para posibilitar una adherencia óptima.

Coloque la hoja lijadora **(7)** enrasada en un lado de la placa lijadora **(6)**, luego aplique la hoja lijadora sobre el plato lijador y presiónelo firmemente.

Para quitar la hoja lijadora **(7)**, agárrela por una punta y retírela de la placa lijadora **(6)**.

Hojas lijadoras sin adherencia por contacto (ver figuras B-D)

- ➊ Suelte los dos estribos de sujeción **(5)** de la retención y gírelos hacia abajo.
- ➋ Introduzca la hoja lijadora **(7)** por debajo de la regleta de sujeción trasera **(4)**. Preste atención, a que la hoja lijadora **(7)** no sea demasiado corta y a una fijación correcta. Gire el estribo de sujeción **(5)** hacia atrás a la posición inicial y enclávelo en este lugar.
- ➌ Coloque el papel de lijar en forma tensada alrededor de la placa lijadora **(6)**. Fije firmemente la parte delantera de la hoja lijadora por debajo del regleta de sujeción delantera **(8)**. Preste atención, a que la hoja lijadora **(7)** no sea demasiado corta y a una fijación correcta. Gire el estribo de sujeción **(5)** hacia atrás a la posición inicial y enclávelo en este lugar.

Para quitar la hoja lijadora **(7)**, suelte los dos estribos de sujeción **(5)** y retire la hoja lijadora de su sujeción.

Las hojas lijadoras sin orificios, p. ej. de material de rodillos o por metros, las puede perforar para la aspiración de polvo con el perforador **(10)**. Para ello, presione la herramienta eléctrica con la hoja lijadora montada sobre el perforador (ver figura E).

Selección de la hoja lijadora

De acuerdo al material a trabajar y al arranque de material deseado puede seleccionarse entre diversas hojas lijadoras:

	Granulación
red:Wood	40 – 240

Para mecanizar todos los materiales de madera

Para prelijar, p. ej. vigas y tablas ásperas y sin cepillar	aproximada	40, 60
---	------------	--------

	Granulación
Para el rectificado superficial y para aplanar faltas de planeidad menores	Media 80, 100, 120
Para el acabado y lijado fino de maderas duras	precisa 180, 240

White:Paint 40 – 320

Para lijar superficies pintadas, barnizadas, o imprimaciones con masas de relleno y emplastecido

Para decapar pintura	aproximada	40, 60
Para igualar superficies pintadas después de la primera mano	Media	80, 100, 120
Para el lijado final de imprimaciones antes de pintar	precisa	180, 240, 320

Cambio de placa lijadora (ver figura F)

La placa lijadora **(6)** se puede sustituir si es necesario.

Desenrosque totalmente los 4 tornillos **(11)** y quite la placa lijadora **(6)**. Coloque la nueva placa lijadora **(6)** y apriete de nuevo firmemente los tornillos.

Operación

Puesta en marcha

- ▶ **¡Observe la tensión de red!** La tensión de alimentación deberá coincidir con las indicaciones en la placa de características de la herramienta eléctrica.

Interruptor de conexión/desconexión

- ▶ **Asegúrese de que puede operar el interruptor de conexión/desconexión sin soltar el mango.**

Para **conectar** la herramienta eléctrica, desplace el interruptor de conexión/desconexión **(2)** hacia delante hasta la posición "I".

Para **desconectar** la herramienta eléctrica, desplace el interruptor de conexión/desconexión **(2)** hacia atrás hasta la posición "0".

Preselección del nº de oscilaciones

Con la rueda de ajuste de la preselección del número de oscilaciones **(1)** puede preseleccionar el número de oscilaciones necesario también durante el servicio.

El nº de oscilaciones requerido depende del material y condiciones de trabajo y se recomienda por ello determinarlo probando.

Instrucciones para la operación

- ▶ **Antes de cualquier manipulación en la herramienta eléctrica, sacar el enchufe de red de la toma de corriente.**
- ▶ **Espere a que se haya detenido la herramienta eléctrica antes de depositarla.**

El rendimiento conseguido en el arranque de material viene determinado esencialmente por la hoja lijadora empleada y el número de oscilaciones preseleccionado (1).

Únicamente unas hojas lijadoras en buenas condiciones permiten conseguir un buen rendimiento en el arranque de material además de cuidar la herramienta eléctrica.

Preste atención a ejercer una presión de aplicación uniforme para prolongar la vida útil de las hojas lijadoras.

Un aumento excesivo de la presión de contacto no conduce a un mayor rendimiento en el arranque de material, sino a un mayor desgaste de la herramienta eléctrica y al fallo prematuro de la placa lijadora.

No emplee una hoja lijadora con la que se ha trabajado metal para lijar otros tipos de material.

Utilice solamente accesorios originales **Bosch** para lijar.

Mantenimiento y servicio

Mantenimiento y limpieza

- ▶ **Antes de cualquier manipulación en la herramienta eléctrica, sacar el enchufe de red de la toma de corriente.**
- ▶ **Siempre mantenga limpias la herramienta eléctrica y las rejillas de ventilación para trabajar con eficacia y fiabilidad.**

Si es necesario reemplazar el cable de conexión, entonces esto debe ser realizado por **Bosch** o por un servicio técnico autorizado para herramientas eléctricas **Bosch**, para evitar riesgos de seguridad.

Servicio técnico y atención al cliente

El servicio técnico le asesorará en las consultas que pueda Ud. tener sobre la reparación y mantenimiento de su producto, así como sobre piezas de recambio. Los dibujos de despiece e informaciones sobre las piezas de recambio los podrá obtener también en: **www.bosch-pt.com**

Nuestro equipo de asesores técnicos le orientará gustosamente en cuanto a la adquisición, aplicación y ajuste de los productos y accesorios.

Para cualquier consulta o pedido de piezas de repuesto es imprescindible indicar el nº de artículo de 10 dígitos que figura en la placa de características del producto.

México

Robert Bosch, S. de R.L. de C.V.
Calle Robert Bosch No. 405
C.P. 50071 Zona Industrial, Toluca – Estado de México
Tel.: (52) 55 528430-62
Tel.: 800 627 1286
www.boschherramientas.com.mx

Encontrará más direcciones del servicio técnico en:

www.bosch-pt.com/serviceaddresses

Eliminación

Recomendamos que las herramientas eléctricas, accesorios y embalajes sean sometidos a un proceso de recuperación que respete el medio ambiente.



¡No arroje las herramientas eléctricas a la basura!



El símbolo es solamente válido, si también se encuentra sobre la placa de características del producto/fabricado.

Português do Brasil

Indicações de segurança

Instruções gerais de segurança para ferramentas elétricas

AVISO

Leia todas as indicações de segurança, instruções, ilustrações

e especificações fornecidas com esta ferramenta

elétrica. O desrespeito das instruções apresentadas abaixo poderá resultar em choque elétrico, incêndio e/ou ferimentos graves.

Guarde todas as advertências e instruções para futura referência.

O termo "ferramenta elétrica" em todos os avisos listados abaixo referem-se a ferramenta alimentada através de seu cordão de alimentação ou a ferramenta operada a bateria (sem cordão).

Segurança da área de trabalho

- ▶ **Mantenha a área de trabalho limpa e bem iluminada.** As áreas de trabalho desarrumadas ou escuras podem levar a acidentes.
- ▶ **Não opere as ferramentas elétricas em atmosferas explosivas, ou seja, na presença de líquidos, gases ou pós inflamáveis.** As ferramentas criam faíscas que podem inflamar a poeira ou os vapores.
- ▶ **Mantenha as crianças e outras pessoas afastadas da ferramenta elétrica durante o uso.** As distrações podem resultar na perda do controle.

Segurança elétrica

- ▶ **Os plugues da ferramenta devem ser compatíveis com as tomadas. Nunca modifique o plugue. Não use plugues de adaptador com ferramentas aterradas.** Os plugues sem modificações aliados a utilização de tomadas compatíveis reduzem o risco de choque elétrico.

- ▶ **Evite o contato do corpo com superfícies aterradas, como tubos, aquecedores, fogões e geladeiras.** Há um risco elevado de choque elétrico se seu corpo estiver aterrado.
- ▶ **Mantenha as ferramentas elétricas afastadas da chuva ou umidade.** A entrada de água em uma ferramenta elétrica aumenta o risco de choque elétrico.
- ▶ **Não use o cabo para outras finalidades. Jamais use o cabo para transportar, puxar ou desconectar a ferramenta elétrica. Mantenha o cabo afastado do calor, do óleo, de arestas afiadas ou de partes móveis.** Os cabos danificados ou emaranhados aumentam o risco de um choque elétrico.
- ▶ **Ao operar uma ferramenta elétrica ao ar livre, use um cabo de extensão adequado para áreas exteriores.** O uso de um cabo de extensão apropriado para áreas exteriores reduz o risco de choque elétrico.
- ▶ **Se não for possível evitar o funcionamento da ferramenta elétrica em áreas úmidas, utilizar uma alimentação protegida por um dispositivo de corrente diferencial residual (DR).** O uso de um DR reduz o risco de um choque elétrico.

Segurança pessoal

- ▶ **Fique atento, olhe o que está fazendo e use o bom senso ao operar uma ferramenta. Não use uma ferramenta elétrica quando estiver cansado ou sob a influência de drogas, álcool ou medicamentos.** Um momento de desatenção enquanto opera uma ferramenta pode resultar em graves ferimento pessoal.
- ▶ **Use equipamento de proteção individual. Use sempre óculos de proteção.** O uso de equipamento de proteção individual, como máscara de proteção contra poeira, sapatos de segurança antiderrapantes, capacete de segurança ou proteção auricular, usado nas condições adequadas irá reduzir o risco de ferimentos pessoais.
- ▶ **Evite a partida não intencional. Assegure-se de que o interruptor está na posição de desligado antes de conectar o plugue na tomada e/ou bateria, pegar ou carregar a ferramenta.** Carregar as ferramentas com o seu dedo no interruptor ou conectar as ferramentas que apresentam interruptor na posição "ligado", são convites a acidentes.
- ▶ **Remova qualquer ferramenta ou chave de ajuste antes de ligar a ferramenta elétrica.** Uma ferramenta ou chave ainda ligada a uma parte rotativa da ferramenta elétrica pode resultar em ferimentos pessoais.
- ▶ **Evite uma posição anormal. Mantenha uma posição firme e mantenha sempre o equilíbrio.** Desta forma é mais fácil controlar a ferramenta elétrica em situações inesperadas.
- ▶ **Use vestuário apropriado. Não use roupa larga nem joias. Mantenha seus cabelos e roupas afastados de partes móveis.** As roupas largas, joias ou cabelos longos podem ser agarrados por partes móveis.
- ▶ **Se for possível montar dispositivos de aspiração ou de coleta, assegure-se de que são conectados e usados**

corretamente. O uso de um dispositivo de coleta de poeira pode reduzir os riscos associados a poeiras.

- ▶ **Não deixe que a familiaridade resultante do uso frequente de ferramentas permita que você se torne complacente e ignore os princípios de segurança da ferramenta.** Uma ação descuidada pode causar ferimentos graves numa fração de segundo.

Uso e manuseio cuidadoso da ferramenta elétrica

- ▶ **Não sobrecarregue a ferramenta elétrica. Use a ferramenta elétrica correta para a sua aplicação.** É melhor e mais seguro trabalhar com a ferramenta elétrica apropriada na área de potência para a qual foi projetada.
- ▶ **Não use a ferramenta elétrica se o interruptor estiver defeituoso.** Qualquer ferramenta elétrica que não pode mais ser controlada com o interruptor é perigosa e deve ser reparada.
- ▶ **Desconecte o plugue da alimentação e/ou remova a bateria, se removível, da ferramenta elétrica antes de efetuar ajustes, trocar acessórios ou guardar as ferramentas elétricas.** Tais medidas de segurança preventivas reduzem o risco de se ligar a ferramenta acidentalmente.
- ▶ **Guarde as ferramentas elétricas não utilizadas fora do alcance das crianças e não permita que as pessoas que não estejam familiarizadas com a ferramenta elétrica ou com essas instruções usem a ferramenta elétrica.** As ferramentas elétricas são perigosas nas mãos de usuários não treinados.
- ▶ **Trate as ferramentas elétricas e acessórios com cuidado. Cheque o desalinhamento ou coesão das partes móveis, rachaduras e qualquer outra condição que possa afetar a operação da ferramenta. Se houver danos, repare a ferramenta elétrica antes do uso.** Muitos acidentes são causados por ferramentas elétricas com manutenção inadequada.
- ▶ **Mantenha as ferramentas de corte afiadas e limpas.** As ferramentas de corte cuidadosamente mantidas e com arestas de corte afiadas emperram com menos frequência e são mais fáceis de controlar.
- ▶ **Use a ferramenta elétrica, acessórios, bits etc. de acordo com essas instruções, considerando as condições de trabalho e o trabalho a executar.** O uso da ferramenta elétrica em tarefas diferentes das previstas poderá resultar em uma situação perigosa.
- ▶ **Mantenha as empunhaduras e as superfícies de agarrar secas, limpas e livres de óleo e graxa.** As empunhaduras e superfícies de agarrar escorregadias não permitem o manuseio e controle seguros da ferramenta em situações inesperadas.

Serviço

- ▶ **Somente permita que a sua ferramenta elétrica seja reparada por pessoal qualificado e usando peças de reposição originais.** Só dessa forma é assegurada a segurança da ferramenta elétrica.

Instruções de segurança para lixadeira

- ▶ **Durante o trabalho, segure a ferramenta elétrica com as duas mãos e providencie uma estabilidade segura.**
A ferramenta elétrica se deixa conduzir de forma segura com as duas mãos.
- ▶ **Utilize a ferramenta elétrica somente para lixamento a seco.** A infiltração de água em uma ferramenta elétrica aumenta o risco de um choque elétrico.
- ▶ **Atenção perigo de incêndio! Evite um sobreaquecimento do material de lixado e da lixadeira. Esvazie sempre o reservatório de pó antes de iniciar o trabalho.** O pó de lixa no saco coletor do pó, no microfiltro, no saco de papel (ou no saco do filtro ou no filtro do aspirador) pode incendiar-se sob circunstâncias desfavoráveis como faíscas ao lixar metais. Existe perigo especialmente quando o pó de lixa está misturado com restos de verniz, poliuretano ou outras substâncias químicas e o material de lixar está quente após longo período de trabalho.
- ▶ **Limpe regularmente as aberturas de ventilação de sua ferramenta elétrica.** A ventoinha do motor puxa pó para dentro da carcaça, e uma grande quantidade de pó de metal pode causar perigos elétricos.
- ▶ **Fixar a peça a ser trabalhada.** Uma peça a ser trabalhada fixa com dispositivos de aperto ou com um torno de bancada está mais firme do que segurada com a mão.
- ▶ **Espera a ferramenta elétrica parar completamente, antes de depositá-la.**

Descrição do produto e especificações



Ler todas as indicações de segurança e instruções. O desrespeito das advertências e das instruções de segurança apresentadas abaixo pode causar choque elétrico, incêndio e/ou graves lesões.

Respeite as ilustrações na parte da frente do manual de instruções.

Utilização adequada

A ferramenta elétrica destina-se ao lixamento a seco de madeira, plástico, metal, massa de aparelhar e superfícies.

Componentes ilustrados

A numeração dos componentes ilustrados se refere à representação da ferramenta elétrica na página de esquemas.

- (1) Roda de ajuste da pré-seleção do número de oscilações (GSS 20-18 A)
- (2) Interruptor de ligar/desligar
- (3) Saco do pó (GSS 20-18 A)
- (4) Barra de aperto traseira
- (5) Grampo de fixação (2x)
- (6) Placa de lixar
- (7) Folha de lixar
- (8) Barra de aperto dianteira
- (9) Punho (superfície de aderência isolada)
- (10) Placa para furar folhas de lixa^{a)}
- (11) Parafusos para placa de lixar
- (12) Mangueira de aspiração^{a)}
- (13) Bocal de sopro (GSS 20-18 A)

a) Este acessório não faz parte do volume de entrega padrão.

Dados técnicos

Lixadeira orbital		GSS 20-18	GSS 20-18 A
Número de produto		3 601 K70 1..	3 601 K70 1..
Potência nominal absorvida	W	200	200
Pré-seleção do número de oscilações		-	●
Nº de rotações em vazio	rpm	12000	8000-12000
Número de oscilações em vazio	opm	24000	16000-24000
Diâmetro do disco de oscilação	mm	2,0	2,0
Dimensões da folha de lixa			
- Fixação auto aderente	mm	-	93 x 186
- Tensão de aperto	mm	93 x 230	93 x 230
Dimensões da placa de lixar	mm	90 x 183	90 x 183
Peso ^{A)}	kg	1,5	1,6

Lixadeira orbital**GSS 20-18****GSS 20-18 A**

Classe de proteção

□ / II

□ / II

A) Peso sem cabo de alimentação e sem ficha de rede

Os dados são válidos para uma tensão nominal [U] de 230 V. No caso de tensões divergentes e em versões específicas do país, estes dados podem variar.

Os valores podem variar em função do produto e estar sujeitos a condições de aplicação e do meio ambiente. Mais informações em www.bosch-professional.com/wac.**Informação sobre ruídos/vibrações**Os valores de emissão de ruído foram determinados de acordo com **EN 62841-2-4**.O nível sonoro avaliado A da ferramenta elétrica é normalmente: nível de pressão sonora **76 dB(A)**; nível de potência sonora **84 dB(A)**. Incerteza K = **3 dB**.**Utilizar proteção auditiva!**Valores totais de vibração a_h (soma vetorial nas três direções) e incerteza K determinada em função da **EN 62841-2-4**:

$$a_h = 3,2 \text{ m/s}^2, K = 1,5 \text{ m/s}^2$$

Os níveis de vibrações indicados nestas instruções e o valor de emissão de ruído foram medidos de acordo com um método de medição padronizado e podem ser usados para comparar ferramentas elétricas entre si. Também são adequados para uma avaliação preliminar das emissões de vibrações e ruído.

Os níveis de vibrações indicados e o valor de emissão de ruído representam as principais aplicações da ferramenta elétrica. No entanto, se a ferramenta elétrica for usada para outras aplicações, com diferentes acessórios acopláveis ou com manutenção insuficiente, os níveis de vibrações e o valor de emissão de ruído podem ser diferentes. Isso pode aumentar significativamente as emissões de vibrações e ruído durante todo o período de trabalho.

Para uma estimativa precisa das emissões de vibrações e ruído, também devem ser considerados os momentos em que a ferramenta está desligada ou em funcionamento, mas não está realmente em uso. Isso pode reduzir significativamente as emissões de vibrações e ruído durante todo o período de trabalho.

Além disso também deverão ser estipuladas medidas de segurança para proteger o operador contra o efeito de vibrações, como por exemplo: a manutenção das ferramentas elétricas e dos acessórios acopláveis, luvas durante o trabalho e a organização dos processos de trabalho.

Montagem

- ▶ **Antes de todos trabalhos na ferramenta elétrica, retirar o plugue da tomada.**

Aspiração de pó/de aparas

Pós de materiais, como por exemplo, tintas que contêm chumbo, alguns tipos de madeira, minerais e metais, podem ser nocivos à saúde. O contato com o pó ou sua inalação pode provocar reações alérgicas e/ou doenças nas vias respiratórias do utilizador ou das pessoas que se encontrem

por perto.

Certos pós, como por exemplo pó de carvalho e faia são considerados cancerígenos, especialmente quando juntos com substâncias para o tratamento de madeiras (cromato, preservadores de madeira). Material que contém amianto só deve ser processado por pessoal especializado.

- Se possível, deverá utilizar uma aspiração de pó.
- Assegurar uma boa ventilação do local de trabalho.
- É recomendável usar uma máscara de proteção respiratória com filtro da classe P2.

Observe as diretrizes, vigentes no seu país, relativas aos materiais a serem trabalhados.

- ▶ **Evitar acúmulos de pó no local de trabalho.** Pós podem se inflamar levemente.

Aspiração própria com saco coletor do pó (ver figuras G-K)Para esvaziar o saco coletor do pó retire por completo o saco coletor do pó **(3)** do bocal de descarga **(13)**.

Desenrosque a tampa do saco do pó. Esvazie o saco do pó e volte a enroskar a tampa.

Insira e deslize o saco coletor do pó completo **(3)** no bocal de descarga **(13)**, até engatar completamente na ferramenta.**Nota:** Para garantir uma aspiração ideal do pó, esvazie o saco coletor do pó **(3)** dentro do prazo estabelecido.Ao trabalhar em superfícies verticais, segure a ferramenta elétrica com o saco coletor do pó **(3)** voltado para baixo.**Aspiração externa (ver figura L)**Coloque uma mangueira de aspiração **(12)** no bocal para descarga **(13)**.Una a mangueira de aspiração **(12)** com um aspirador. Uma vista geral das conexões a diversos aspiradores de pó encontra-se no final destas instruções de serviço.

O aspirador de pó deve ser apropriado para o material a ser trabalhado.

Utilizar um aspirador especial caso o pó seja extremamente nocivo à saúde, cancerígeno ou seco.

Na Alemanha, e devido ao TRGS 553 (regulamento técnico para substâncias perigosas), são exigidos dispositivos de aspiração verificados para pós de madeira, a aspiração própria não pode ser utilizada no setor profissional. Para outros materiais, o operador comercial deve clarificar os requisitos especiais com a associação profissional competente.

Substituir a folha de lixar

Elimine a sujeira e o pó da placa de lixar (6) antes de colocar uma folha de lixa nova, p. ex. com um pincel.

Para garantir uma aspiração de pó ideal, verifique se as punções na folha de lixa coincidem com os furos na placa de lixar.

Folhas de lixa com fixação auto aderente (ver figura A) Disponível somente em algumas versões da ferramenta elétrica GSS 20-18 A :

A placa de lixar (6) está equipada com uma fixação auto aderente, para que possa fixar as folhas de lixa de forma rápida e simples com a mesma.

Bata a fixação auto aderente da placa de lixar (6) antes de colocar a folha de lixa (7), para permitir uma aderência perfeita.

Coloque a folha de lixa (7) à face em um dos lados da placa de lixar (6), deposite de seguida a folha de lixa na placa de lixar e pressione-a bem.

Para retirar a folha de lixa (7) agarre-a por uma ponta e retire-a da placa de lixar (6).

Folhas de lixa sem fixação auto aderente (ver figuras B-D)

❶ Solte ambos os grampos de fixação (5) da retenção e os vire para baixo.

❷ Insira a folha de lixa (7) por baixo da barra de aperto traseira (4). Assegure que a folha de lixa (7) não é demasiado curta e está corretamente fixa. Volte a virar o grampo de fixação (5) para a posição de saída e o bloqueie nessa posição.

❸ Coloque a folha de lixa esticada à volta da placa de lixar (6). Prensione a parte da frente da folha de lixa na barra de aperto dianteira (8). Assegure que a folha de lixa (7) não é demasiado curta e está corretamente fixa. Volte a virar o grampo de fixação (5) para a posição de saída e o bloqueie nessa posição.

Para retirar a folha de lixa (7) solte ambos os grampos de fixação (5) e puxe a folha de lixa para fora do seu suporte.

As folhas de lixa sem furos, p. ex. artigos em rolo ou a metro, podem ser furadas para a aspiração de pó com a placa para furar folhas de lixa (10). Para o efeito, pressione a ferramenta elétrica com a folha de lixa montada sobre a placa para furar folhas de lixa (ver figura E).

Seleção da folha de lixar

Estão disponíveis diversas folhas de lixar, de acordo com o material a ser trabalhado e com o desbaste desejado da superfície:

	Grão
red:Wood	40-240
Para processar todos os derivados de madeira	
Para lixamento prévio, p. ex. de vigas e tábuas ásperas e grosseiras	grosseir 40, 60 o

	Grão
Para alisamento e para nivelar pequenas irregularidades	limpeza 80, 100, 120
Para acabar de lixar e polir madeiras duras	fino 180, 240
white:Paint	40-320
Para processar camadas de tinta/verniz ou primários, como betume de enchimento e massa de emparelhar	
Para lixar tinta	grosseir 40, 60 o
Para lixar tinta de primeira demão	limpeza 80, 100, 120
Para o acabamento final de primeiras demãos antes de envernizar	fino 180, 240, 320

Substituir a placa de lixar (ver figura F)

Se necessário, a placa de lixar (6) pode ser substituída.

Desaperte totalmente os 4 parafusos (11) e retire a placa de lixar (6). Coloque a nova placa de lixar (6) e aperte novamente os parafusos.

Funcionamento

Colocando em funcionamento

► **Observe a tensão da rede!** A tensão da corrente elétrica deve coincidir com a indicada na placa de identificação da ferramenta elétrica.

Ligar e desligar

► **Certifique-se de que consegue acionar o interruptor de ligar/desligar sem ter de soltar o punho.**

Para **ligar** a ferramenta elétrica, empurre o interruptor de ligar/desligar (2) para a frente para a posição „I“.

Para **desligar** a ferramenta elétrica, empurre o interruptor de ligar/desligar (2) para trás para a posição „0“.

Pré-selecionar o número de oscilações

Com o seletor para pré-seleção do nº de oscilações (1) é possível pré-selecionar nº de oscilações também durante o funcionamento.

O nº de oscilações necessário depende do material e das condições de trabalho e pode ser verificado através de ensaios práticos.

Indicações de trabalho

- **Antes de todos trabalhos na ferramenta elétrica, retirar o plugue da tomada.**
- **Espere a ferramenta elétrica parar completamente, antes de depositá-la.**

A capacidade de desbaste ao lixar é determinada essencialmente pela escolha da folha de lixa, bem como pela pré-seleção do número de oscilações (1).

Somente folhas de lixa em boas condições garantem um bom rendimento de desbaste e protegem a ferramenta elétrica.

Trabalhar com uma força de pressão uniforme para aumentar a vida útil das folhas de lixa.

Um aumento excessivo da força de pressão não origina um maior rendimento de desbaste, mas sim um maior desgaste da ferramenta elétrica e uma falha prematura da folha de lixa.

Jamais utilizar uma folha de lixa, com a qual foi processado metal, para processar outros materiais.

Use apenas acessórios de lixa originais **Bosch**.

Manutenção e serviço

Manutenção e limpeza

- ▶ **Antes de todos trabalhos na ferramenta elétrica, retirar o plugue da tomada.**
- ▶ **Manter a ferramenta elétrica e as aberturas de ventilação sempre limpas, para trabalhar bem e de forma segura.**

Se for necessário substituir o cabo de força, isto deverá ser realizado pela **Bosch** ou por uma assistência técnica autorizada para todas as ferramentas elétricas **Bosch** para evitar riscos de segurança.

Serviço pós-venda e assistência ao cliente

O serviço pós-venda responde às suas perguntas a respeito de serviços de reparação e de manutenção do seu produto, assim como das peças sobressalentes. Desenhos explodidos e informações sobre peças sobressalentes também em:

www.bosch-pt.com

A nossa equipe de consultores Bosch esclarece com prazer todas as suas dúvidas a respeito dos nossos produtos e acessórios.

Indique em todas as questões ou encomendas de peças sobressalentes impreterivelmente a referência de 10 dígitos de acordo com a placa de características do produto.

Brasil

Robert Bosch Ltda. – Divisão de Ferramentas Elétricas
Rodovia Anhanguera, Km 98 - Parque Via Norte
13065-900, CP 1195
Campinas, São Paulo
Tel.: 0800 7045 446
www.bosch.com.br/contato

Encontre outros endereços da assistência técnica em:

www.bosch-pt.com/serviceaddresses

Descarte

Ferramentas elétricas, acessórios e embalagens devem ser enviados a uma reciclagem ecológica de matérias primas.



Não jogar as ferramentas elétricas no lixo doméstico!

中文

安全规章

电动工具通用安全警告

警告！ 阅读所有警告和所有说明！不遵照以下警告和说明会导致电

击、着火和 / 或严重伤害。

保存所有警告和说明书以备查阅。

在所有下列的警告中术语“电动工具”指市电驱动（有线）电动工具或电池驱动（无线）电动工具。

工作场地的安全

- ▶ **保持工作场地清洁和明亮。** 混乱和黑暗的场地会引发事故。
- ▶ **不要在易爆环境，如有易燃液体、气体或粉尘的环境下操作电动工具。** 电动工具产生的火花会点燃粉尘或气体。
- ▶ **让儿童和旁观者离开后操作电动工具。** 注意力不集中会使操作者失去对工具的控制。

电气安全

- ▶ **电动工具插头必须与插座相配。** 绝不能以任何方式改装插头。需接地的电动工具不能使用任何转换插头。未经改装的插头和相配的插座将减少电击危险。
- ▶ **避免人体接触接地表面，如管道、散热片和冰箱。** 如果你身体接地会增加电击危险。
- ▶ **不得将电动工具暴露在雨中或潮湿环境中。** 水进入电动工具将增加电击危险。
- ▶ **不得滥用电线。** 绝不能用电线搬运、拉动电动工具或拔出其插头。使电线远离热源、油、锐边或运动部件。受损或缠绕的软线会增加电击危险。
- ▶ **当在户外使用电动工具时，使用适合户外使用的外接软线。** 适合户外使用的软线将减少电击危险。
- ▶ **如果在潮湿环境下操作电动工具是不可避免的，应使用剩余电流动作保护器（RCD）。** 使用RCD可减小电击危险。

人身安全

- ▶ **保持警觉，当操作电动工具时关注所从事的操作并保持清醒。** 当你感到疲倦，或在有药物、酒精或治疗反应时，不要操作电动工具。在操作电动工具时瞬间的疏忽会导致严重人身伤害。
- ▶ **使用个人防护装置。** 始终佩戴护目镜。安全装置，诸如适当条件下使用防尘面具、防滑安全鞋、安全帽、听力防护等装置能减少人身伤害。
- ▶ **防止意外起动。** 确保开关在连接电源和/或电池盒、拿起或搬运工具时处于关断位置。手指放在已接通电源的开关上或开关处于接通时插入插头可能会导致危险。
- ▶ **在电动工具接通之前，拿掉所有调节钥匙或扳手。** 遗留在电动工具旋转零件上的扳手或钥匙会导致人身伤害。

- ▶ **手不要伸展得太长。时刻注意立足点和身体平衡。** 这样在意外情况下能很好地控制电动工具。
- ▶ **着装适当。不要穿宽松衣服或佩戴饰品。让衣服、手套和头发远离运动部件。** 宽松衣服、配饰或长发可能会卷入运动部件中。
- ▶ **如果提供了与排屑、集尘设备连接用的装置，要确保他们连接完好且使用得当。** 使用这些装置可减少尘屑引起的危险。
- ▶ **即使由于经常使用电动工具而对此非常熟悉，也不要就认为可以高枕无忧而忽略工具的安全规定。** 粗心大意的行为可能在瞬间就造成严重的伤害。

电动工具使用和注意事项

- ▶ **不要滥用电动工具，根据用途使用适当的电动工具。** 选用适当设计的电动工具会使你工作更有效、更安全。
- ▶ **如果开关不能接通或关断工具电源，则不能使用该电动工具。** 不能用开关来控制的电动工具是危险的且必须进行修理。
- ▶ **在进行任何调节、更换附件或贮存电动工具之前，必须从电源上拔掉插头和/或使电池盒与工具脱离。** 这种防护性措施将减少工具意外起动的危险。
- ▶ **将闲置不用的电动工具贮存在儿童所及范围之外，并且不要让不熟悉电动工具或对这些说明不了解的人操作电动工具。** 电动工具在未经培训的用户手中是危险的。
- ▶ **保养电动工具。检查运动部件是否调整到位或卡住，检查零件破损情况和影响电动工具运行的其他状况。** 如有损坏，电动工具应在使用前修理好。许多事故由维护不良的电动工具引发。
- ▶ **保持切削刀具锋利和清洁。** 保养良好的有锋利切削刃的刀具不易卡住而且容易控制。
- ▶ **按照使用说明书，考虑作业条件和进行的作业来使用电动工具、附件和工具的刀头等。** 将电动工具用于那些与其用途不符的操作可能会导致危险。
- ▶ **保持手柄和握持表面干燥、清洁、无油污。** 在突发情况下，滑溜的手柄和握持表面无法确保安全地握持和控制工具。

维修

- ▶ **将你的电动工具送交专业维修人员，使用同样的备件进行修理。** 这样将确保所维修的电动工具的安全性。

针对砂光机的安全警告

- ▶ **工作时要使用双手握紧电动工具并确保站稳。** 使用双手才能够稳定地操作电动工具。

技术数据

振动磨机	GSS 20-18	GSS 20-18 A
物品代码	3 601 K70 1..	3 601 K70 1..
额定输入功率	瓦	200
振动数预选	-	●

- ▶ **本电动工具仅可用于干法研磨。** 水进入电动工具将增加电击危险。
- ▶ **注意火灾危险！应避免磨料和研磨机过热。每次工作休息前都要清空集尘腔。** 集尘袋、微过滤器、纸袋（或者吸尘器的过滤袋或过滤器）内的磨削粉尘可能会在不良条件下（例如研磨金属时火花飞溅）被点燃。如果磨削粉尘与油漆或聚氨酯残余物或者其他化学原料混合，且磨料在长时间作业后产生高温时，会产生极大危险。
- ▶ **定期清洁电动工具的通风间隙。** 电动机风扇会将灰尘吸进机壳，过多的金属粉末沉积会导致电气危险。
- ▶ **固定好工件。** 使用固定装置或老虎钳固定工件，会比用手握工件更牢固。
- ▶ **等待电动工具完全静止后才能够放下机器。**

产品和性能说明



请阅读所有安全规章和指示。不遵照以下警告和说明可能导致电击、着火和/或严重伤害。

请注意本使用说明书开头部分的图示。

按照规定使用

本电动工具适合在木材，塑料，金属，填隙料和涂了油漆的表面上干磨。

插图上的机件

机件的编号和电动工具详解图上的编号一致。

- (1) 振动数预选调节轮 (GSS 20-18 A)
 - (2) 起停开关
 - (3) 集尘袋 (GSS 20-18 A)
 - (4) 后部夹条
 - (5) 卡箍 (2个)
 - (6) 磨板
 - (7) 砂纸
 - (8) 前部夹条
 - (9) 手柄 (绝缘握柄)
 - (10) 穿孔工具^{a)}
 - (11) 磨板螺栓
 - (12) 集尘软管^{a)}
 - (13) 吸尘器转换接口 (GSS 20-18 A)
- a) 该附件并不包含在基本的供货范围中。

振动磨机		GSS 20-18	GSS 20-18 A
空载转速	转/分钟	12000	8000-12000
空载振动次数	转/分钟	24000	16000-24000
振动圆直径	毫米	2.0	2.0
砂纸尺寸			
- 魔术贴	毫米	-	93 x 186
- 夹紧压力	毫米	93 x 230	93 x 230
磨板尺寸	毫米	90 x 183	90 x 183
重量 ^{A)}	公斤	1.5	1.6
保护等级		□/II	□/II

A) 不含电源线和电源插头的重量

所有参数适用于230伏的额定电压[U]，对于其他不同的电压和国际规格，数据有可能不同。

数值可能因不同产品而异，并且受到应用和环境条件影响。更多信息请参见www.bosch-professional.com/wac。

安装

- ▶ 在电动工具上进行所有操作之前都必须从插座上拔出电源插头。

吸锯尘/吸锯屑

含铅的颜料以及某些木材、矿物和金属的加工废尘有害健康。机器操作者或者工地附近的人如果接触、吸入这些废尘，可能会有过敏反应或者感染呼吸道疾病。

某些尘埃（例如加工橡木或山毛榉的废尘）可能致癌，特别是和处理木材的添加剂（例如木材的防腐剂等）结合之后。只有经过专业训练的人才能够加工含石棉的物料。

- 尽可能使用适合物料的吸尘装置。
- 工作场所要保持空气流通。
- 最好佩戴P2滤网等级的口罩。

请留心并遵守贵国和加工物料有关的法规。

- ▶ 避免让工作场所堆积过多的尘垢。尘垢容易被点燃。

利用集尘盒自集尘（参见插图G-K）

要排空集尘袋，将集尘袋总成(3)从吸尘器转换接口(13)上拉下来。

拧下集尘袋的盖帽。排空集尘袋，然后重新拧上盖帽。

放上集尘袋总成(3)并套到吸尘器转换接口(13)上，直到与工具平齐。

提示：为了确保最佳吸尘效果，请及时排空集尘袋(3)。

在垂直的平面上工作时，必须以集尘袋(3)朝下的方式握持电动工具。

外部集尘（参见插图L）

将集尘软管(12)插到吸尘器转换接口(13)上。

将集尘软管(12)与吸尘器连接。在本使用说明的末尾可以找到各种集尘器的连接概览。

根据工件的物料选择合适的吸尘装置。

吸集可能危害健康，可能导致癌症或干燥的废尘时，务必使用特殊的吸尘装置。

在德国要求使用基于TRGS 553检测的木屑集尘装置，自主除尘设备不得用于商业领域。对于其他材料，商业用户必须向负责的专业协会声明特殊要求。

更换砂纸

装入新砂纸前，用刷子清除磨板(6)上的脏污和灰尘。

注意将砂纸的冲孔与磨板上的孔重叠，以确保最佳的集尘效果。

带魔术贴的砂纸（见图片A）

只可用于某些版本的电动工具GSS 20-18 A:

磨板(6)带有尼龙织物，因此可通过魔术贴快速便捷地固定砂纸。

装入砂纸(7)前，先敲出磨板(6)的尼龙织物，以实现最佳粘合效果。

将砂纸(7)齐平贴在磨板(6)的一面，然后将砂纸放到磨板上并压紧。

如需取下砂纸(7)，请抓住尖部，然后从磨板(6)上取下。

不带魔术贴的砂纸（参见插图B-D）

① 将两个卡箍(5)从止动件中松开，然后将其向下翻转。

② 将砂纸(7)插入后部夹条(4)下方。确保砂纸(7)不要太短并正确夹紧。将卡箍(5)翻转回初始位置并将其锁止在那里。

③ 将砂纸紧绷地铺在磨板(6)上。将砂纸前部夹紧在前部夹条(8)下方。确保砂纸(7)不要太短并正确夹紧。将卡箍(5)翻转回初始位置并将其锁止在那里。

要取下砂纸(7)，松开两个卡箍(5)，然后将砂纸从其底座中取出。

无孔砂纸，比如整卷或整米卖的砂纸，可以用穿孔工具(10)为其打孔，以便能够吸尘。为此，请将已安装好砂纸的电动工具压到穿孔工具上（见图片E）。

选择砂纸

根据工件的物料和希望的物表研磨效果，选择合适的砂纸：

	目数	
red:Wood	40-240	
用于加工所有木质材料		
对于初磨，例如粗糙、未刨光的方木和木板	粗	40, 60
用于平面打磨和磨平轻微的不平整表面	中	80, 100, 120
在硬木上做最后的研磨和精磨工作	细	180, 240
white:Paint	40 - 320	
加工颜料/漆料或底料、填隙料等		
磨除颜料层	粗	40, 60
打磨底漆	中	80, 100, 120
上漆前磨平底料	细	180, 240, 320

更换磨板 (见图片F)

可根据需求更换磨板(6)。

小心地旋出4个螺栓(11)，然后取下磨板(6)。装上新磨板(6)，然后重新拧紧螺栓。

操作

投入使用

▶ **注意电源电压！** 电源的电压必须和电动工具铭牌上标示的电压一致。

接通/关闭

▶ 请确保握住手柄时可以开启/关闭开关。

如要开启电动工具，将起停开关(2)向前推到位置“1”。

如要关闭电动工具，将起停开关(2)向后推到位置“0”。

预选振动数

利用振荡次数预选调节轮(1)也可以在运行过程中预选所需的振荡次数。

正确的振荡次数是由工件和工作条件决定，唯有实际操作才能够找出最合适的振荡次数。

工作提示

▶ 在电动工具上进行所有操作之前都必须从插座上拔出电源插头。

▶ 等待电动工具完全静止后才能够放下机器。

打磨时的磨除功率主要由所选择的砂纸和预选的振动数(1)决定。

只有完好的砂纸才能够提高研磨功率，并且保护电动工具。

操作机器时要均匀施压，如此才能够提高砂纸的使用寿命。

在机器上过度施压，不仅无法提高研磨功率，反而会加重电动工具的磨损和磨板的过早失灵。

不可以使用研磨过金属的砂纸研磨其它的物料。

请只使用Bosch原装研磨附件。

维修和服务

维护和清洁

▶ 在电动工具上进行所有操作之前都必须从插座上拔出电源插头。

▶ 电动工具和通气孔必须随时保持清洁，以确保工作效率和工作安全。

如果必须更换连接线，务必把这项工作交给Bosch或者经授权的Bosch电动工具顾客服务执行，以避免危害机器的安全性能。

客户服务和应用咨询

本公司顾客服务处负责回答有关本公司产品的修理、维护和备件的问题。备件的展开图纸和信息也可查看：www.bosch-pt.com

博世应用咨询团队乐于就我们的产品及其附件问题提供帮助。

询问和订购备件时，务必提供机器铭牌上标示的10位数物品代码。

中国大陆

博世电动工具（中国）有限公司

中国 浙江省 杭州市

滨江区 滨康路567号

102/1F 服务中心

邮政编码：310052

电话：(0571)8887 5566 / 5588

传真：(0571)8887 6688 x 5566# / 5588#

电邮：bsc.hz@cn.bosch.com

www.bosch-pt.com.cn

制造商地址：

Robert Bosch Power Tools GmbH

罗伯特·博世电动工具有限公司

70538 Stuttgart / GERMANY

70538 斯图加特 / 德国

其他服务地址请见：

www.bosch-pt.com/serviceaddresses

处理废弃物

必须以符合环保要求的方式回收再利用电动工具、附件和包装材料。



不可以把电动工具丢入家庭垃圾中!

产品中有害物质的名称及含量

部件名称	有害物质					
	铅 (Pb)	汞 (Hg)	镉 (Cd)	六价铬 (Cr ⁺⁶)	多溴联苯 (PBB)	多溴二苯醚 (PBDE)
外壳的金属部分	○	○	○	○	○	○
外壳的非金属部分	○	○	○	○	○	○
机械传动机构	○	○	○	○	○	○
电机组件	○	○	○	○	○	○
控制组件	○	○	○	○	○	○
附件	○	○	○	○	○	○
配件	○	○	○	○	○	○
连接件	X	○	○	○	○	○
电源线①	○	○	○	○	○	○

本表格依据SJ/T11364的规定编制。

○：表示该有害物质在该部件所有均质材料中的含量均在GB/T 26572规定的限量要求以下。

X：表示该有害物质至少在该部件的某一均质材料中的含量超出GB/T 26572规定的限量要求。且目前业界没有成熟的替代方案，符合欧盟RoHS指令环保要求。

① 适用于采用电源线连接供电的产品。

产品环保使用期限内的使用条件参见产品说明书。

繁體中文

安全注意事項

電動工具一般安全注意事項

警告 請詳讀工作臺及電動工具的所有安全警告與使用說明。若不遵照以下列出的指示，將可能導致電擊、著火和/或人員重傷。

保存所有警告和說明書以備查閱。

在所有警告中，「電動工具」此一名詞泛指：以市電驅動的（有線）電動工具或是以電池驅動的（無線）電動工具。

工作場地的安全

- ▶ 保持工作場地清潔和明亮。混亂和黑暗的場地會引發事故。
- ▶ 不要在易爆環境，如有易燃液體、氣體或粉塵的環境下操作電動工具。電動工具產生的火花會點燃粉塵或氣體。
- ▶ 讓兒童和旁觀者離開後操作電動工具。注意力不集中會使您失去對工具的控制。

電氣安全

- ▶ 電動工具插頭必須與插座相配。絕不能以任何方式改裝插頭。需接地的電動工具不能使用任何轉換插頭。未經改裝的插頭和相配的插座將減少電擊危險。
- ▶ 避免人體接觸接地表面，如管道、散熱片和冰箱。如果您身體接地會增加電擊危險。
- ▶ 不得將電動工具暴露在雨中或潮濕環境中。水進入電動工具將增加電擊危險。
- ▶ 不得濫用電線。絕不能用電線搬運、拉動電動工具或拔出其插頭。使電線遠離熱源、油、銳利邊緣或移動零件。受損或纏繞的軟線會增加電擊危險。
- ▶ 當在戶外使用電動工具時，使用適合戶外使用的延長線。適合戶外使用的軟線，將減少電擊危險。
- ▶ 如果在潮濕環境下操作電動工具是不可避免的，應使用剩餘電流動作保護器（RCD）。使用RCD可降低電擊危險。

人身安全

- ▶ 保持警覺，當操作電動工具時關注所從事的操作並保持清醒。當您感到疲倦，或在有藥物、酒精

或治療反應時，不要操作電動工具。在操作電動工具時瞬間的疏忽會導致嚴重人身傷害。

- ▶ **使用個人防護裝置。始終佩戴護目鏡。**安全裝置，諸如適當條件下使用防塵面具、防滑安全鞋、安全帽、聽力防護等裝置能減少人身傷害。
- ▶ **防止意外起動。確保開關在連接電源和 / 或電池盒、拿起或搬運工具時處於關閉位置。**手指放在已接通電源的開關上或開關處於接通時插入插頭可能會導致危險。
- ▶ **在電動工具接通之前，拿掉所有調節鑰匙或扳手。**遺留在電動工具旋轉零件上的扳手或鑰匙會導致人身傷害。
- ▶ **手不要伸展得太長。時刻注意立足點和身體平衡。**這樣在意外情況下能很好地控制電動工具。
- ▶ **著裝適當。不要穿寬鬆衣服或佩戴飾品。讓您的衣物及頭髮遠離運動部件。**寬鬆衣服、佩飾或長髮可能會捲入運動部件中。
- ▶ **如果提供了與排屑、集塵設備連接用的裝置，要確保他們連接完好且使用得當。**使用這些裝置可減少塵屑引起的危險。
- ▶ **切勿因經常使用工具所累積的熟練感而過度自信，輕忽工具的安全守則。**任何一個魯莽的舉動都可能瞬間造成人員重傷。

電動工具使用和注意事項

- ▶ **不要濫用電動工具，根據用途使用適當的電動工具。**選用適當設計的電動工具會使您工作更有效、更安全。
- ▶ **如果開關不能開啟或關閉工具電源，則不能使用該電動工具。**不能用開關來控制的電動工具是危險的且必須進行修理。
- ▶ **在進行任何調整、更換配件或貯存電動工具之前，必須從電源上拔掉插頭並 / 或取出電池盒。**這種防護性措施將減少工具意外起動的危險。
- ▶ **將閒置不用的電動工具貯存在兒童所及範圍之外，並且不要讓不熟悉電動工具或對這些說明不瞭解的人操作電動工具。**電動工具在未經培訓的用戶手中是危險的。
- ▶ **保養電動工具與配備。檢查運動件是否調整到位或卡住，檢查零件破損情況和影響電動工具運行的其他狀況。如有損壞，電動工具應在使用前修理好。**許多事故由維護不良的電動工具引發。
- ▶ **保持切削刀具鋒利和清潔。**保養良好的有鋒利切削刃的刀具不易卡住而且容易控制。
- ▶ **按照使用說明書，考慮作業條件和進行的作業來使用電動工具、配件和工具的刀頭等。**將電動工具用於那些與其用途不符的操作可能會導致危險。
- ▶ **把手及握持區應保持乾燥、潔淨，且不得沾染任何油液或油脂。**易滑脫的把手及握持區將無法讓您在發生意外狀況時安全地抓緊並控制工具。

檢修

- ▶ **將您的電動工具送交專業維修人員，必須使用同樣的備件進行更換。**這樣將確保所維修的電動工具的安全性。

砂磨機安全注意事項

- ▶ **作業期間請用雙手牢牢握緊電動工具並保持穩固。**使用雙手才能夠更穩定地操作電動工具。
- ▶ **本電動工具僅適用於乾式研磨。**水進入電動工具將增加電擊危險。
- ▶ **請注意：有失火之虞！請避免砂磨材料或砂帶機過熱。暫停作業之前請務必清空集塵容器。**集塵袋、超微細過濾器、紙袋內（或吸塵器過濾袋 / 濾材內）的研磨粉塵可能在不利條件下自行點燃，例如研磨金屬時所產生的火花。尤其是當研磨粉塵若混入殘留的烤漆、聚胺酯或其他化學物質，而且在經過長時間運轉後砂磨材料的溫度又極高時，這種情形特別具危險性。
- ▶ **請定期清潔電動工具的通風口。**電動機風扇會將灰塵吸進機殼，過多的金屬粉末沉積會導致電氣危險。
- ▶ **固定好工件。**使用固定裝置或老虎鉗固定工件，會比用手持握工件更牢固。
- ▶ **等待電動工具完全靜止後才能夠放下機器。**

產品和功率描述



請詳讀所有安全注意事項和指示。如未遵守安全注意事項與指示，可能導致火災、人員遭受電擊及 / 或重傷。
請留意操作說明書中最前面的圖示。

依規定使用機器

本電動工具適合在木材、塑膠、金屬、填縫泥及上漆表面上進行乾式研磨。

插圖上的機件

機件的編號和電動工具詳解圖上的編號一致。

- (1) 振盪次數設定轉鈕 (GSS 20-18 A)
- (2) 起停開關
- (3) 集塵袋 (GSS 20-18 A)
- (4) 後夾邊條
- (5) 夾箍 (2 x)
- (6) 磨板
- (7) 研磨片
- (8) 前夾邊條
- (9) 把手 (絕緣握柄)
- (10) 打孔器^{a)}
- (11) 磨板螺栓
- (12) 吸塵管^{a)}
- (13) 排塵接管 (GSS 20-18 A)

a) 所述之配件並不包含在基本的供貨範圍中。

技術性數據

平板砂磨機		GSS 20-18	GSS 20-18 A
產品機號		3 601 K70 1..	3 601 K70 1..
額定輸入功率	W	200	200
設定振盪次數		-	●
無負載轉速	次 / 分	12000	8000-12000
無負載振盪次數	min ⁻¹	24000	16000-24000
振盪繞圈直徑	mm	2.0	2.0
研磨片尺寸			
- 利用魔鬼氈黏貼固定	mm	-	93 x 186
- 利用緊固夾繃緊固定	mm	93 x 230	93 x 230
磨板尺寸	mm	90 x 183	90 x 183
重量 ^{A)}	kg	1.5	1.6
絕緣等級		□/II	□/II

A) 不包括電源線和電源插頭的重量

本說明書提供的參數是以 230V 為依據，於低電壓地區，此數據有可能不同。

數值可能因產品而異，並受使用條件以及環境條件影響。進一步資訊請見 www.bosch-professional.com/wac。

安裝

- ▶ **維修電動工具或換裝零、配件之前，務必從插座上拔出插頭。**

吸除廢塵 / 料屑

含鉛顏料、部分木材種類、礦石和金屬的加工廢塵有害健康。機器操作者或施工現場附近的人員如果接觸、吸入這些廢塵，可能會引發過敏反應或感染呼吸道疾病。

某些塵埃（例如加工橡木或山毛櫸的廢塵）可能致癌，特別是與處理木材的添加劑（例如木材的防腐劑等）結合之後。唯有受過專業訓練的人才能夠進行含石棉物料的加工。

- 儘可能使用適合物料的吸塵裝置。
- 工作場所要保持空氣流通。
- 建議佩戴 P2 過濾等級的口罩。

請留意並遵守貴國的物料加工相關法規。

- ▶ **避免讓工作場所堆積過多的塵垢。塵埃容易被點燃。**

機器本身的吸塵裝備，含集塵袋（請參考圖 G - K）

若要清空集塵袋，請將集塵袋完整套件 (3) 從排塵接管 (13) 上拔下。

旋下集塵袋的蓋子。清空集塵袋並重新旋緊蓋子。

裝入集塵袋完整套件 (3)，並將其推至排塵接管 (13) 上，直到它與工具齊平密合。

提示：為確保最佳吸塵效果，請適時清空集塵袋 (3)。

在垂直平面上操作電動工具時，必須以集塵袋 (3) 朝下的方式握持電動工具。

外接的吸塵裝備（請參考圖 L）

將吸塵管 (12) 插到排塵接管 (13) 上。

將吸塵軟管 (12) 與吸塵器連接起來。本手冊的最後面另外刊錄了連接不同類型吸塵器的操作概覽。

根據工件材質選擇合適的吸塵裝置。

吸集可能危害健康、可能致癌或乾燥的廢塵時，務必使用特殊吸塵裝置。

在德國，通過 TRGS 553 檢驗的吸塵裝備用於吸除木屑時，機器本身的吸塵裝備不得做為工商業用途。做為工商業用途時，本機器若是用於吸除木屑以外的其他物質，則操作人員必須向同業職災保險與預防協會進一步確認相關特殊規定。

更換研磨片

裝上新的研磨片之前，請用例如刷子清除磨板 (6) 上的髒污與粉塵。

請注意：為確保最佳吸塵效果，研磨片上的孔請對準磨板開孔位置。

具有魔鬼氈設計的研磨片（請參考圖 A）

僅適用於某些版本的電動工具：GSS 20-18 A

磨板 (6) 上有魔鬼氈設計，可以很便利地快速固定研磨片。

裝上研磨片 (7) 之前，請拍掉磨板 (6) 魔鬼氈上的粉塵，以確保最佳附著力。

放上研磨片 (7) 時，請將它與磨板 (6) 的其中一邊對齊，接著將它研磨片整片鋪到磨板上，並確實壓緊。

若要取下研磨片 (7)，請從尖端處將它從磨板 (6) 上拆下。

無魔鬼氈設計的研磨片（請參考圖 B-D）

① 從鎖扣中鬆開兩個夾箍 (5)，然後往下翻轉。

② 將研磨片 (7) 鋪到後夾邊條 (4) 底下。請注意研磨片 (7) 不得過短，且應正確夾緊。將夾箍 (5) 翻回原來位置並鎖緊至該處。

- ❶ 將砂紙包覆磨板 (6) 並繃緊。將研磨片前端確實夾入前夾邊條 (8) 底下。請注意研磨片 (7) 不得過短，且應正確夾緊。將夾箍 (5) 翻回原來位置並鎖緊至該處。

若要取下研磨片 (7)，請鬆開兩個夾箍 (5) 並將研磨片從其後方夾座中抽出。

未打孔的研磨片（例如採滾筒形式或摺捲形式販售之研磨片），只要用打孔器 (10) 先打好孔，即亦可在吸塵時使用。其做法是，直接將已裝上研磨片的電動工具按壓在打孔器上（詳見圖示 E）。

選用研磨片

本公司特別針對欲進行加工之各種材質以及所需之表面磨除效果，推出各式研磨片供您選購：

		粒度
red:Wood		40-240
加工任一種木質材料		
粗加工研磨，例如未刨平的粗糙木樑及木板	粗	40、60
平面磨整以及整平凹凸不平處	中	80, 100, 120
在硬木上進行的最後一道研磨程序與精磨工作	細	180、240
white:Paint		40 - 320
處理顏料 / 漆料或底料、填縫泥等		
磨除顏料層	粗	40、60
拋光底色	中	80, 100, 120
磨平底料以方便上漆	細	180, 240, 320

更換磨板（請參考圖 F）

您可視需要更換磨板 (6)。

將 4 顆螺栓 (11) 完全旋出，並取下磨板 (6)。裝上新的磨板 (6)，然後旋緊螺栓。

操作

操作機器

- ▶ **注意電源的電壓！** 電源的電壓必須和電動工具銘牌上標示的電壓一致。

啟動 / 關閉

- ▶ **請確定您不用放開把手，就能操作起停開關。**

若要啟動電動工具，請將電源開關 (2) 向前推至位置「I」。

若要關閉電動工具，請將電源開關 (2) 向後推至位置「0」。

預選振盪次數

利用振盪次數設定轉鈕 (1)，即使是在工具運作期間，亦可按照需求設定振盪次數。

正確的振盪次數是由加工材質和工作條件決定，唯有實際操作才能夠找出最合適的振盪次數。

作業注意事項

- ▶ **維修電動工具或換裝零、配件之前，務必從插座上拔出插頭。**

- ▶ **等待電動工具完全靜止後才能夠放下機器。**

研磨時的磨除功率原則上是由所選擇的研磨片和預選的振盪次數 (1) 來決定的。

只有完好的研磨片才能夠提高研磨效率，並且保護電動工具。

操作機器時要均力施壓，如此才能夠提高研磨片的使用壽命。

在機器上施力過度不僅無法提高研磨效率，反而會加劇電動工具的磨損，使研磨片過早失效。

不可以使用研磨過金屬的研磨片來研磨其它材質。

僅可使用 **Bosch** 原廠研磨配件。

維修和服務

維修和清潔

- ▶ **維修電動工具或換裝零、配件之前，務必從插座上拔出插頭。**

- ▶ **電動工具和通風口都必須保持清潔，這樣才能夠提高工作品質和安全性。**

如果必須更換連接線，請務必交由 **Bosch** 或者經授權的 **Bosch** 電動工具顧客服務執行，以避免危害機器的安全性能。

顧客服務處和顧客諮詢中心

本公司顧客服務處負責回答有關本公司產品的維修、維護和備用零件的問題。以下的網頁中有分解圖和備用零件相關資料：www.bosch-pt.com

如果對本公司產品及其配件有任何疑問，博世應用諮詢小組很樂意為您提供協助。

當您需要諮詢或訂購備用零件時，請務必提供本產品型號銘牌上 10 位數的產品機號。

台灣進口商

台灣羅伯特博世股份有限公司

建國北路一段90號6樓

台北市10491

電話: (02) 7734 2588

傳真: (02) 2516 1176

www.bosch-pt.com.tw

制造商地址:

Robert Bosch Power Tools GmbH

羅伯特·博世電動工具有限公司

70538 Stuttgart / GERMANY

70538 斯圖加特/德國

以下更多客戶服務處地址:

www.bosch-pt.com/serviceaddresses

廢棄物處理

必須以符合環保的方式，回收再利用損壞的機器、配件和廢棄的包裝材料。



不可以把電動工具丟入家庭垃圾中。

設備名稱：砂紙機，型號（型式）：GSS 20-18 A

限用物質及其化學符號

單元	鉛 (Pb)	汞 (Hg)	鎘 (Cd)	六價鉻 (Cr ⁺⁶)	多溴聯苯 (PBB)	多溴二苯醚 (PBDE)
馬達	○	○	○	○	○	○
電源開關	○	○	○	○	○	○
內部配線	○	○	○	○	○	○
外殼(塑料)	○	○	○	○	○	○
電源線組	-	○	○	○	○	○

備考 1. "超出 0.1 wt %" 及 "超出 0.01 wt %" 係指限用物質之百分比含量超出百分比含量基準值。

備考 2. "○" 係指該項限用物質之百分比含量未超出百分比含量基準值。

備考 3. "-" 係指該項限用物質為排除項目。

ไทย**คำเตือนเพื่อความปลอดภัย****คำเตือนเพื่อความปลอดภัยทั่วไปสำหรับเครื่องมือไฟฟ้า**

⚠ คำเตือน อ่านคำเตือนเพื่อความปลอดภัย คำแนะนำ สภาพประกอบ และขอมูล **จำเพาะทั้งหมด** ที่จัดส่งมาพร้อมกับเครื่องมือไฟฟ้า การไม่ปฏิบัติตามคำแนะนำทั้งหมดที่ระบุไว้ด้านล่างนี้อาจทำให้ถูกไฟฟ้าดูด เกิดไฟไหม้ และ/หรือได้รับบาดเจ็บอย่างร้ายแรง **เก็บรักษา** คำเตือนและคำสั่งทั้งหมดสำหรับเปิดอ่านในภายหลัง

คำว่า "เครื่องมือไฟฟ้า" ในคำเตือนหมายถึง เครื่องมือไฟฟ้าของท่านที่ทำงานด้วยพลังงานไฟฟ้าจากแหล่งจ่ายไฟหลัก (มีสายไฟฟ้า) และเครื่องมือไฟฟ้าที่ทำงานด้วยพลังงานไฟฟ้าจากแบตเตอรี่ (ไร้สาย)

ความปลอดภัยในสถานที่ทำงาน

- ▶ **รักษาสถานที่ทำงานให้สะอาดและมีไฟส่องสว่างดี** สถานที่ที่มีมืดหรือรกรุงร้งนำมาซึ่งอุบัติเหตุ
- ▶ **อย่าใช้เครื่องมือไฟฟ้าทำงานในสภาพบรรยากาศที่จุดติดไฟได้** เช่น ในที่ที่มีช่องทลวไวไฟ ก๊าซ หรือฝุ่น เมื่อใช้เครื่องมือไฟฟ้าจะเกิดประกายไฟซึ่งอาจจุดฝุ่นหรือไอให้ลุกเป็นไฟได้
- ▶ **ขณะใช้เครื่องมือไฟฟ้าทำงาน ต้องกันเด็กและผู้ยืนดูให้ออกห่าง**

การหันเหความสนใจอาจทำให้ท่านขาดการควบคุมเครื่องือ

ความปลอดภัยเกี่ยวกับไฟฟ้า

- ▶ **ปลั๊กของเครื่องมือไฟฟ้าต้องเหมาะสมพอดีกับเต้าเสียบ** อย่าตัดแปลงปลั๊กไม่ว่าในลักษณะใดๆ อย่างเด็ดขาด อย่าใช้ปลั๊กพ่วงต่อใดๆ กับเครื่องมือไฟฟ้าที่มีสายดิน ปลั๊กที่ไม่ตัดแปลงและเต้าเสียบที่เข้ากันช่วยลดความเสี่ยงจากการถูกไฟฟ้าดูด
- ▶ **หลีกเลี่ยงอย่าให้ร่างกายสัมผัสกับพื้นผิวที่ต่อสายดินหรือลงกราวด์ไว** เช่น ท่อ เครื่องทำความร้อน เตา และตู้เย็น จะเสี่ยงอันตรายจากการถูกไฟฟ้าดูดมากขึ้นหากกระแสไฟฟ้าวิ่งผ่านร่างกายของท่านลงดิน
- ▶ **อย่าให้เครื่องมือไฟฟ้าถูกฝนหรืออยู่ในสภาพเปียกชื้น** หากน้ำเข้าในเครื่องมือไฟฟ้า จะเพิ่มความเสี่ยงจากการถูกไฟฟ้าดูด
- ▶ **อย่าใช้สายไฟฟ้าในทางที่ผิด** อย่าใช้สายไฟฟ้าเคี้ยว ดึง หรือถอดปลั๊กเครื่องมือไฟฟ้า กั้นสายไฟฟ้าออกจากความรอน น้ำมัน ขอบแหลมคม หรือชิ้นส่วนที่เคลื่อนที่ สายไฟฟ้าที่ชำรุดหรือพันกันยุ่งเพิ่มความเสี่ยงจากการถูกไฟฟ้าดูด
- ▶ **เมื่อใช้เครื่องมือไฟฟ้าทำงานกลางแจ้ง ให้ใช้สายไฟต่อที่เหมาะสมสำหรับการใช้งานกลางแจ้ง** การใช้สายไฟต่อที่เหมาะสมช่วยลดอันตรายจากการถูกไฟฟ้าดูด
- ▶ **หากไม่สามารถหลีกเลี่ยงการใช้เครื่องมือไฟฟ้าทำงานในสถานที่เปียกชื้นได้ ให้ใช้สวิตช์ตัดวงจรเมื่อเกิดการรั่วไหลของไฟฟ้าจากสายดิน (RCD)** การใช้สวิตช์ตัดวงจรเมื่อเกิดการรั่วไหลของไฟฟ้าจากสายดินช่วยลดความเสี่ยงต่อการถูกไฟฟ้าดูด

ความปลอดภัยของบุคคล

- ▶ **ท่านต้องอยู่ในสภาพเตรียมพร้อม ระวังระวังในสิ่งที่ท่านกำลังทำอยู่ และมีสติขณะใช้เครื่องมือไฟฟ้าทำงาน อย่าใช้เครื่องมือไฟฟ้าขณะที่ท่านกำลังเหนื่อย หรืออยู่ภายใต้การครอบงำของฤทธิ์ของยาเสพติด แอลกอฮอล์ และยา**
เมื่อใช้เครื่องมือไฟฟ้าทำงาน ในชั่วโมงที่ท่านขาดความเอาใจใส่อาจทำให้บุคคลบาดเจ็บอย่างรุนแรงได้
- ▶ **ใช้อุปกรณ์ปกป้องร่างกาย สวมแว่นตาป้องกันแสง**
อุปกรณ์ปกป้อง เช่น หนากากกันฝุ่น รองเทากันลื่น หมวกแข็ง หรือประภทกันเสียงดังที่ไซตามความเหมาะสมกับสภาพการทำงาน จะลดการบาดเจ็บทางร่างกาย
- ▶ **ป้องกันการติดเครื่องโดยไม่ตั้งใจ ตรวจสอบให้แน่ใจว่าสวิทช์หรือปุ่มในตำแหน่งปิดก่อนเชื่อมต่อกับแหล่งจ่ายไฟ และ/หรือแบตเตอรี่แพ็ค ยกหรือถือเครื่องมือ**
ถือเครื่องโดยไม่ตั้งใจที่สวิทช์ หรือเสียบปลั๊กไฟฯขณะสวิทช์เปิดอยู่ อาจนำไปสู่อุบัติเหตุที่ร้ายแรงได้
- ▶ **นำเครื่องมือปรับแต่งหรือปรับแก้ก่อนเปิดสวิทช์เครื่องมือไฟฟ้า**
เครื่องมือหรือปรับแก้ปรับแก้ที่วางอยู่ก็อยู่กับส่วนของเครื่องที่กำลังหมุนจะทำให้บุคคลบาดเจ็บได้
- ▶ **อย่าเอื้อมไกลเกินไป**
ตั้งท้ายที่นั่งคนขับและวางน้ำหนักให้สมดุลตลอดเวลา ในลักษณะนี้ท่านสามารถควบคุมเครื่องมือไฟฟ้าในสถานการณ์ที่ไม่คาดคิดได้ดีกว่า
- ▶ **แต่งกายอย่างเหมาะสม**
อย่าใส่เสื้อผ้าหลวมหรือสวมเครื่องประดับ เข็มและเส้นผ่าออกห่างจากชิ้นส่วนที่เคลื่อนที่ เสื้อผ้าหลวม เครื่องประดับ และผมยาวอาจเข้าไปติดในชิ้นส่วนที่เคลื่อนที่
- ▶ **หากเครื่องมือไฟฟ้ามีข้อเชื่อมต่อกับเครื่องดูดฝุ่นหรือเครื่องเก็บผง ให้ตรวจสอบให้แน่ใจว่าได้เชื่อมต่อกับและใช้งานอย่างถูกต้อง**
การใช้อุปกรณ์ดูดฝุ่นช่วยลดอันตรายที่เกิดจากฝุ่นได้
- ▶ **เมื่อใช้งานเครื่องบ่อยครั้งจะเกิดความคุ้นเคย**
อย่าให้ความคุ้นเคยทำให้ท่านเกิดความชะล่าใจและละเลยกฎเกณฑ์ด้านความปลอดภัยในการใช้งานเครื่อง การทำงานอย่างไม่ระมัดระวังอาจทำให้เกิดการบาดเจ็บอย่างร้ายแรงภายในเสี้ยววินาที

การใช้และการดูแลรักษาเครื่องมือไฟฟ้า

- ▶ **อย่าฝืนกำลังเครื่องมือไฟฟ้า**
ใช้เครื่องมือไฟฟ้าที่ถูกต้องตรงตามลักษณะงานของท่าน เครื่องมือไฟฟ้าที่ถูกต้องจะทำงานได้ดีกว่าและปลอดภัยกว่าในระดับสมรรถภาพที่ออกแบบไว้
- ▶ **อย่าใช้เครื่องมือไฟฟ้าถ้าสวิทช์ไม่สามารถเปิดปิดได้**
เครื่องมือไฟฟ้าที่ไม่สามารถควบคุมการเปิดปิดด้วยสวิทช์ได้ เป็นเครื่องมือไฟฟ้าที่ไม่ปลอดภัยและต้องส่งซ่อมแซม
- ▶ **ก่อนปรับแต่งเครื่อง เปลี่ยนอุปกรณ์ประกอบ หรือเก็บเครื่องเข้าที่**
ต้องถอดปลั๊กออกจากแหล่งจ่ายไฟ และ/หรือถอดแบตเตอรี่แพ็คออกจากเครื่องมือไฟฟ้าหากถอดออกได้ มาตรการป้องกันเพื่อความปลอดภัยนี้ช่วยลดความเสี่ยงจากการติดเครื่องโดยไม่ตั้งใจ
- ▶ **เมื่อเลิกใช้งานเครื่องมือไฟฟ้า ให้เก็บเครื่องไว้ในที่ที่เด็กหยิบไม่ถึง และไมอนุญาตให้บุคคลที่ไม่คุ้นเคยกับเครื่องมือบุคคลที่ไม่ได้อ่านคำแนะนำนำเหล่านี้ใช้เครื่อง**
เครื่องมือ

มือไฟฟ้าเป็นของอันตรายหากตกอยู่ในมือของผู้ใช้ที่ไม่ได้รับการฝึกฝน

- ▶ **บำรุงรักษาเครื่องมือไฟฟ้าและอุปกรณ์ประกอบ**
ตรวจสอบชิ้นส่วนที่เคลื่อนที่ที่ว่างไม่ตรงแนวหรือติดขัดหรือไม่ ตรวจหาการแตกหักของชิ้นส่วนและสภาพอื่นใดที่อาจมีผลต่อการทำงานของเครื่องมือไฟฟ้า หากชำรุดต้องส่งเครื่องมือไฟฟ้าไปซ่อมแซมก่อนใช้งาน อุบัติเหตุหลายอย่างเกิดขึ้นเนื่องจากดูแลรักษาเครื่องมือไม่ดีพอ
- ▶ **รักษาเครื่องมือตัดโค่นและสะอาด**
หากบำรุงรักษาเครื่องมือที่มีขอบตัดแหลมคมอย่างถูกต้อง จะสามารถตัดได้ลื่นไม่ติดขัดและความคมได้ง่ายกว่า
- ▶ **ใช้เครื่องมือไฟฟ้า อุปกรณ์ประกอบ เครื่องมือ และอุปกรณ์อื่นๆ**
ตรงตามคำแนะนำนำเหล่านี้ โดยคำนึงถึงเงื่อนไขการทำงานและงานที่จะทำ การใช้เครื่องมือไฟฟ้าทำงานที่ต่างไปจากวัตถุประสงค์การใช้งานของเครื่อง อาจนำไปสู่สถานการณ์ที่เป็นอันตรายได้
- ▶ **ดูแลน้ำมันและพื้นผิวจับให้แห้ง สะอาด และปราศจากคราบไขมันและจาระบี**
ตามจับและพื้นผิวจับที่ลื่นทำให้หยิบจับได้ไม่ปลอดภัย และไม่สามารถควบคุมเครื่องมือในสถานการณ์ที่ไม่คาดคิด

การบริการ

- ▶ **ส่งเครื่องมือไฟฟ้าของท่านเข้ารับบริการจากช่างซ่อมที่มีคุณสมบัติเหมาะสม**
โดยช่างที่เหมือนกันเท่านั้น ในลักษณะนี้ท่านจะแน่ใจได้ว่าเครื่องมือไฟฟ้าอยู่ในสภาพที่ปลอดภัย

คำเตือนเพื่อความปลอดภัยสำหรับเครื่องขัด

- ▶ **จับเครื่องมือไฟฟ้าให้แน่นด้วยมือทั้งสองข้างและตั้งท้าย**
ให้มั่นคงขณะทำงาน ท่านจะสามารถนำทางเครื่องมือไฟฟ้าได้ปลอดภัยกว่าเมื่อจับเครื่องมือทั้งสองข้าง
- ▶ **ใช้เครื่องมือไฟฟ้าสำหรับการขัดเท่านั้น**
หากนำเข้าไปใช้เครื่องมือไฟฟ้า จะเพิ่มความเสี่ยงต่อการถูกไฟฟ้าดูด
- ▶ **ระวังอันตรายจากไฟไหม้!**
หลีกเลี่ยงการทำให้วัสดุชิ้นงานและเครื่องขัดร้อนเกินไป ถ่ายผงออกจากกล่องเก็บผงก่อนพักงานทุกครั้ง ในสถานการณ์ที่ไม่เหมาะสม ต. ย. เช่น เมื่อเกิดประกายไฟขณะขัดโลหะ เศษผงที่ได้จากการขัดที่อยู่ในถุงเก็บผง เครื่องกรองไมโคร หรือถุงกระดาษ (หรือในถุงกรอง หรือตัวกรองของเครื่องดูดฝุ่น) อาจจุดลุกเป็นไฟขึ้นเองได้ จะเป็นอันตรายอย่างยิ่งเมื่อเมื่อเศษผงผสมปนกับเศษสารเคลือบเงา เศษโพลียูรีเทน หรือเศษวัสดุเคมีอื่นๆ และเมื่อเศษผงขัดเกิดร้อนขึ้นหลังจากใช้เครื่องมือทำงานเป็นเวลานาน
- ▶ **ทำความสะอาดช่องระบายอากาศของเครื่องมือไฟฟ้าอย่างสม่ำเสมอ**
พัดลมของมอเตอร์จะดูดฝุ่นเข้าไปในหม้อครอบ และผงโลหะที่ฟุ้งสะสมกันมาก อาจทำให้เกิดอันตรายจากไฟฟ้าได้
- ▶ **ยึดชิ้นงานให้แน่น**
การยึดชิ้นงานด้วยเครื่องมือหนีบหรือแท่นจับจะมั่นคงกว่าการยึดด้วยมือ
- ▶ **รอให้เครื่องมือไฟฟ้าหยุดนิ่งอยู่ก่อนทุกครั้ง**
ก่อนวางเครื่องลงบนพื้น

รายละเอียดผลิตภัณฑ์และข้อมูลจำเพาะ



อ่านคำเตือนเพื่อความปลอดภัยและคำแนะนำทั้งหมด การไม่ปฏิบัติตามคำเตือนและคำสั่งอาจเป็นสาเหตุให้ถูกไฟฟ้าดูด เกิดไฟไหม้ และ/หรือได้รับบาดเจ็บอย่างร้ายแรง

กรุณาดูภาพประกอบในส่วนหน้าของคู่มือการใช้งาน

ประโยชน์การใช้งานของเครื่อง

เครื่องมือไฟฟ้านี้ใช้สำหรับขัดแท่งบนไม้ พลาสติก โลหะ วัสดุอุดแทรก และผิวเคลือบเงา

ส่วนประกอบที่แสดงในภาพ

ลำดับเลขของส่วนประกอบผลิตภัณฑ์อ้างอิงถึงส่วนประกอบของเครื่องมือไฟฟ้าที่แสดงในหน้าภาพประกอบ

- (1) ล้อปรับเลือกอัตราการกระแทกล่วงหน้า (GSS 20-18 A)
 - (2) สวิตช์เปิด-ปิด
 - (3) ลูกเก็บฝุ่น (GSS 20-18 A)
 - (4) แถบยึดด้านหลัง
 - (5) แคลมป์หนีบ (2 ตัว)
 - (6) แผ่นฐานขัด
 - (7) กระจกตาชทราย
 - (8) แถบยึดด้านหน้า
 - (9) ด้ามจับ (พื้นผิวจับหุ้มฉนวน)
 - (10) เครื่องมือเจาะรู^{a)}
 - (11) สกรูสำหรับแผ่นฐานขัด
 - (12) ท่อดูดฝุ่น^{a)}
 - (13) ขั้วต่อเป่าลม (GSS 20-18 A)
- a) อุปกรณ์เสริมนี้ไม่อยู่ในรายการอุปกรณ์มาตรฐานที่จัดส่ง

ข้อมูลทางเทคนิค

เครื่องขัดกระจกตาชทรายระบบลิ้นสะเทือน		GSS 20-18	GSS 20-18 A
หมายเลขสินค้า		3 601 K70 1..	3 601 K70 1..
กำลังไฟฟักัด	วัตต์	200	200
การตั้งอัตราแกว่งลิ้นสะเทือนล่วงหน้า		-	●
ความเร็วรอบเดินเครื่องเปล่า	นาที ⁻¹	12000	8000-12000
อัตราการลิ้นสะเทือนที่รอบเดินเครื่องเปล่า	นาที ⁻¹	24000	16000-24000
เส้นผ่านศูนย์กลางระยะเหยียด	มม.	2.0	2.0
ขนาดของกระจกตาชทราย			
- ติดด้วยดินตุ๊กแก	มม.	-	93 x 186
- แร่งหนีบ	มม.	93 x 230	93 x 230
ขนาดของแผ่นฐานขัด	มม.	90 x 183	90 x 183
น้ำหนัก ^{A)}	กก.	1.5	1.6
ระดับการป้องกัน		□/II	□/II

A) น้ำหนักโดยไม่รวมสายเชื่อมต่อแหล่งจ่ายไฟและไม่รวมปลั๊กไฟ

ค่าที่ให้นี้ใช้ได้กับแรงดันไฟฟ้าบ้านมินิมอล [U] 230 โวลต์ค่าเหล่านี้อาจเปลี่ยนแปลงไปสำหรับแรงดันไฟฟ้าที่แตกต่างกันและโมเดลที่ผลิตสำหรับเฉพาะประเทศ

ค่าอาจแตกต่างกันไปตามผลิตภัณฑ์และขึ้นอยู่กับเงื่อนไขการใช้งานและสภาพแวดล้อม โปรดดูข้อมูลเพิ่มเติมที่เว็บไซต์ www.bosch-professional.com/wac

การติดตั้ง

▶ ติดปลั๊กไฟออกจากเต้าเสียบก่อนปรับแต่งเครื่อง

การดูดฝุ่น/ซีลื้อย

ฝุ่นที่ได้จากวัสดุ เช่น เคลือบผิวที่มีสารตะกั่ว ไม้ยางประเภท แรชชาด และโลหะ อาจเป็นอันตรายต่อสุขภาพ การสูดดมหรือการหายใจเอาฝุ่นเข้าไปอาจทำให้เกิดปฏิกิริยาแพ้ ฝุ่น และ/หรือน้ำมาซึ่งโรคติดเชื้อระบบหายใจแก่ผู้ใช้เครื่องหรือผู้ที่ยืนอยู่ใกล้เคียง ฝุ่นบางประเภท เช่น ฝุ่นไม้โอ๊ก หรือไม้บีช นั้น

เป็นสารที่ทำให้เกิดมะเร็ง โดยเฉพาะอย่างยิ่งเมื่อผสมกับสารเติมแต่งเพื่อบำบัดไม้ (โครเมต ผลิตภัณฑ์รักษาเนื้อไม้) สำหรับวัสดุที่มีแอลเบสทอลสองใหญ่เชี่ยวชาญทำงานเท่านั้น

- ใช้ระบบดูดฝุ่นออกที่เหมาะสมกับประเภทวัสดุ มากเท่าที่จะทำได้
- จัดสถานที่ทำงานให้มีการระบายอากาศที่ดี
- ขอแนะนำให้สวมหน้ากากป้องกันการติดเชื้อที่มีระดับ-ไส้กรอง P2

ปฏิบัติตามกฎข้อบังคับสำคัญอื่นๆ ที่เกี่ยวกับวัสดุชิ้นงานที่บังคับใช้ในประเทศของท่าน

▶ **ป้องกันการสะสมของฝุ่นในสถานที่ทำงาน** ฝุ่นสามารถถูกไหลอย่างง่ายดาย

การดูดฝุ่นในตัวพร้อมถุงเก็บฝุ่น (ดูภาพประกอบ G-K)
ในการถ่ายถุงเก็บฝุ่น ให้ดึงถุงเก็บฝุ่น (3) ออกจากหัวเป่า (13)

คลายเกลียวฝาครอบออกจากถุงเก็บฝุ่น ถ่ายถุงเก็บฝุ่น แล้วขันฝาครอบกลับเข้าที่อีกครั้ง

วางและเลื่อนถุงเก็บฝุ่นทั้งหมด (3) ลงบนหัวเป่า (13) จนกว่าจะวางออกด้วยเครื่องมือ

หมายเหตุ: เพื่อให้แน่ใจว่ามีการดูดฝุ่นที่ดีที่สุด ให้ถ่ายถุงเก็บฝุ่น (3) อย่างทันท่วงที

เมื่อทำงานบนพื้นผิวตามแนวตั้ง ต้องจับเครื่องมือไฟฟ้าในลักษณะให้ถุงเก็บฝุ่น (3) ลงข้างล่าง

การดูดฝุ่นด้วยเครื่องดูดฝุ่นภายนอก (ดูภาพประกอบ L)

สวมท่อดูดฝุ่น (12) เขามบนท่อระบายออก (13)

ต่อท่อดูดฝุ่น (12) เขากับเครื่องดูดฝุ่น กรุณาดูภาพรวมการเชื่อมต่อกับเครื่องดูดฝุ่นต่างๆ ในตอนท้ายของคู่มือการใช้งาน เครื่องดูดฝุ่นต้องมัลักษณะการใช้งานที่เหมาะสมกับประเภทวัสดุชิ้นงาน

ในกรณีดูดฝุ่นแห้งที่เป็นอันตรายเป็นอันตรายต่อสุขภาพอย่างยิ่งหรืออาจก่อให้เกิดมะเร็งได้ ให้ใช้เครื่องดูดฝุ่นพิเศษในประเทศเยอรมนี ต้องใช้อุปกรณ์ดูดฝุ่นที่ผ่านการทดสอบตามกฎระเบียบทางเทคนิคสำหรับวัตถุอันตราย TRGS 553 เพื่อดูดฝุ่นจากไม้ ต้องไม่ใช้การดูดฝุ่นในตัวในภาคธุรกิจสำหรับวัตถุอื่นๆ ผู้ประกอบการเชิงพาณิชย์ต้องชี้แจงข้อกำหนดเฉพาะกับสมาคมวิชาชีพที่รับผิดชอบ

การเปลี่ยนกระดาดทราย

ก่อนใส่กระดาดทรายแผ่นใหม่ ให้ขจัดสิ่งสกปรกและฝุ่นออกจากแผ่นฐานขัด (6) เช่น โดยใช้แปรงขัด เพื่อดูดฝุ่นออกให้ได้ดีที่สุด ต้องเอาใจใส่ดูให้รูเจาะในกระดาดทรายตรงกับรูในแผ่นฐานขัด

กระดาดทรายที่มีตีนตุ๊กแก (ดูภาพประกอบ A)

พร้อมใช้งานสำหรับเครื่องมือไฟฟ้า GSS 20-18 A เพียงบางรุ่นเท่านั้น:

แผ่นฐานขัด (6) จะมีตีนตุ๊กแกเสริมอยู่ เพื่อให้สามารถไขแถบตีนตุ๊กแกในการติดกระดาดทรายโดยง่ายสะดวกและรวดเร็ว

เกาะตีนตุ๊กแกของแผ่นฐานขัด (6) ก่อนติดกระดาดทราย (7) เพื่อให้ยึดเกาะได้ดีที่สุด

ทาบกระดาดทราย (7) ให้เสมอกับขอบด้านหนึ่งของแผ่นฐานขัด (6) จากนั้นจึงปูกระดาดทรายไปบนแผ่นฐานขัดและกดให้แน่น

เมื่อต้องการถอดกระดาดทราย (7) ออก ให้จับตรงปลายด้านใดด้านหนึ่งของกระดาดทรายและดึงกระดาดทรายออกจากแผ่นฐานขัด (6)

กระดาดทรายชนิดไม่มีตีนตุ๊กแก (ดูภาพประกอบ B - D)

- ❶ คลายแขนหนีบทั้งสอง (5) ออกจากตัวล็อคแล้วหมุนลง
- ❷ สอดปลายกระดาดทราย (7) เข้าใต้ก้านหนีบหลัง (4) ตรวจสอบให้แน่ใจว่ากระดาดทราย (7) ถูกหนีบอยู่ตรง

กลางและไม่ลื่นจนเกินไป หมุนแขนหนีบ (5) เข้าไปในตำแหน่งเริ่มต้นแล้วล็อคไว้

- ❸ ทาบกระดาดทรายให้ตั้งรอบแผ่นฐานขัด (6) หนีบส่วนต้นของกระดาดทรายใต้แถบจับยึดด้านหน้า (8) ให้แน่น ตรวจสอบให้แน่ใจว่ากระดาดทราย (7) ถูกหนีบอยู่ตรงกลางและไม่ลื่นจนเกินไป หมุนแขนหนีบ (5) เข้าไปในตำแหน่งเริ่มต้นแล้วล็อคไว้

เมื่อต้องการเอากระดาดทราย (7) ออก ให้ปลดแขนหนีบ (5) และดึงกระดาดทรายออกจากตัวยึด

ท่านสามารถนำกระดาดทรายที่ไม่มีรู ต.ย. เช่น กระดาดทรายที่จำหน่ายเป็นม้วนหรือเป็นเมตรมาเจาะรูด้วยเครื่องมือเจาะรู (10) เพื่อดูดฝุ่นออกสำหรับการเจาะรู ให้จับเครื่องมือไฟฟ้าที่ประกอบกระดาดทรายแล้วกดลงบนเครื่องมือเจาะรู (ดูภาพประกอบ E)

การเลือกกระดาดทราย

ท่านสามารถเลือกใช้กระดาดทรายชนิดต่างๆ กัน ตามประเภทวัสดุชิ้นงาน และตามความหนาบางของพื้นผิวที่ต้องการขัดออก:

	ขนาดเม็ด
red:Wood	40-240
สำหรับวัสดุที่ทำงานไม้ทั้งหมด	
สำหรับขัดหยาบ ต.ย. เช่น ไม้คานและ หยาบ	40, 60
แผ่นกระดาดที่ขรุขระไม่ราบเรียบ	
สำหรับขัดแต่งพื้นหนาและปรับผิว	ปาน 80, 100,
ขรุขระเล็กน้อยหรือเรียบ	กลาง 120
สำหรับขัดสำเร็จและขัดละเอียดไม้เนื้อ	ละเอียด 180,
แข็ง	240
white:Paint	40-320
สำหรับขัดสี/ผิวเคลือบเงา หรือวัสดุของพื้นและวัสดุอุดรู	
สำหรับขัดสีออก	หยาบ 40, 60
สำหรับขัดสีรองพื้น	ปาน 80, 100,
	กลาง 120
สำหรับขัดสีรอง	ละเอียด 180,
พื้นชั้นสุดท้ายก่อนเคลือบเงา	240,
	320

การเปลี่ยนแผ่นฐานขัด (ดูภาพประกอบ F)

ท่านสามารถเปลี่ยนแผ่นฐาน (6) ได้ หากจำเป็น ชิ้นสกรู (11) ทั้ง 4 ตัวออกจนสุด และเอาแผ่นฐานขัด (6) ออก ใส่แผ่นฐานขัดแผ่นใหม่ (6) และขันสกรูกลับเข้าที่ให้แน่น

การปฏิบัติงาน

การเริ่มต้นปฏิบัติงาน

- ▶ **ให้สังเกตแรงดันไฟฟ้า!** แรงดันไฟฟ้าจากแหล่งจ่ายไฟฟ้าต้องมีค่าตรงกับค่าแรงดันไฟฟ้าที่ระบุไว้บนแผ่นป้ายพิกัดเครื่อง

การเปิด/ปิดใช้งาน

▶ ตรวจสอบให้แน่ใจว่าท่านสามารถใช้งานสวิตช์เปิด-ปิด โดยไม่ต้องปล่อยตามจับ

เมื่อต้องการเปิดใช้งานเครื่องมือไฟฟ้า ให้เลื่อนสวิตช์เปิด-ปิด (2) ไปทางด้านหน้าในตำแหน่ง "I"

เมื่อต้องการปิดใช้งานเครื่องมือไฟฟ้า ให้เลื่อนสวิตช์เปิด-ปิด (2) ไปทางด้านหลังในตำแหน่ง "0"

การตั้งอัตราแวงสั้นสะท้อนล่วงหน้า

ท่านสามารถเลือกอัตราแวงสั้นสะท้อนที่ต้องการไว้ล่วงหน้าได้ด้วยสวิตช์ตั้งอัตราแวงสั้นสะท้อนล่วงหน้า (1) ปรับตั้งได้แม้ขณะเครื่องกำลังทำงานอยู่

อัตราแวงสั้นสะท้อนที่ต้องการขึ้นอยู่กับประเภทวัสดุชิ้นงาน และเงื่อนไขการทำงาน และสามารถกำหนดได้จากการทดลองฝึกปฏิบัติ

ข้อแนะนำในการทำงาน

▶ ดึงปลั๊กไฟออกจากเต้าเสียบก่อนปรับแต่งเครื่อง

▶ รอให้เครื่องมือไฟฟ้าหยุดนิ่งอยู่กับที่ทุกครั้ง ก่อนวางเครื่องลงบนพื้น

ความสามารถในการตัดออกในระหว่างการขัดโดยหลักแล้ว จะกำหนดตามการเลือกกระดาษทราย รวมทั้งการปรับเลือกอัตราแวงสั้นสะท้อนล่วงหน้า (1)

กระดาษทรายสภาพดีเท่านั้นที่จะขัดได้ดีมีประสิทธิภาพ และช่วยยืดอายุการใช้งานของเครื่องมือไฟฟ้า

เอาใจใส่กับเครื่องลงบนชิ้นงานด้วยแรงกดที่ราบเรียบเสมอกันเพื่อยืดอายุการใช้งานของกระดาษทราย

การใช้แรงกดลงมากเกินไปไม่ช่วยเพิ่มประสิทธิภาพการขัด แต่จะทำให้เครื่องมือไฟฟ้าเกิดการสึกหรอมากขึ้น และ

กระดาษทรายหมดสภาพใช้งานก่อนเวลาอันควร กระดาษทรายที่ขัดโลหะไปแล้ว ไม่ควรนำมาขัดวัสดุประเภทอื่น

ใช้เฉพาะอุปกรณ์ขัดของแท้ Bosch เท่านั้น

การบำรุงรักษาและการบริการ

การบำรุงรักษาและการทำความสะอาด

▶ ดึงปลั๊กไฟออกจากเต้าเสียบก่อนปรับแต่งเครื่อง

▶ เพื่อให้ทำงานได้อย่างถูกต้องและปลอดภัย ต้องรักษาเครื่องและช่องระบายอากาศให้สะอาดอยู่เสมอ

หากจำเป็นต้องเปลี่ยนสายไฟฟ้า ต้องส่งเครื่องให้ Bosch หรือศูนย์บริการหลังการขายที่ได้รับมอบหมายสำหรับเครื่องมือไฟฟ้า Bosch เปลี่ยนให้ ทั้งนี้เพื่อหลีกเลี่ยงอันตราย

การบริการหลังการขายและการให้คำปรึกษาการใช้ งาน

ศูนย์บริการหลังการขายของเรายินดีตอบคำถามของท่านที่เกี่ยวกับการบำรุงรักษาและการซ่อมแซมผลิตภัณฑ์รวมทั้งเรื่องอะไหล่ ภาพเขียนแบบการประกอบและข้อมูลเกี่ยวกับอะไหล่ กรุณาดูใน: www.bosch-pt.com ทีมงานที่ปรึกษาของ บอช ยินดีให้ข้อมูลเกี่ยวกับผลิตภัณฑ์ของเราและอุปกรณ์ประกอบต่างๆ

เมื่อต้องการสอบถามและสั่งซื้ออะไหล่ กรุณาแจ้งหมายเลขสินค้า 10 หลักบนแผ่นป้ายรุ่นของผลิตภัณฑ์ทุกครั้ง

ไทย

ไทย บริษัท โรเบิร์ต บอช จำกัด

เอฟวายไอ เซ็นเตอร์ อาคาร 1 ชั้น 5

เลขที่ 2525 ถนนพระราม 4

แขวงคลองเตย เขตคลองเตย กรุงเทพฯ 10110

โทร: +66 2012 8888

แฟกซ์: +66 2064 5800

www.bosch.co.th

ศูนย์บริการซ่อมและฝึกอบรม บอช

อาคาร ลาซาลทาวเวอร์ ชั้น G ห้องเลขที่ 2

บ้านเลขที่ 10/11 หมู่ 16

ถนนศรีนครินทร์ ตำบลบางแก้ว อำเภอบางพลี

จังหวัดสมุทรปราการ 10540

ประเทศไทย

โทรศัพท์ 02 7587555

โทรสาร 02 7587525

สามารถดูที่อยู่ศูนย์บริการอื่นๆ ได้ที่:

www.bosch-pt.com/serviceaddresses

การกำจัดขยะ

เครื่องมือไฟฟ้า อุปกรณ์ประกอบ และที่บ่อ ต้องนำไปแยกประเภทวัสดุเพื่อการรีไซเคิลที่เป็นมิตรต่อสิ่งแวดล้อม

อย่าทิ้งเครื่องมือไฟฟ้าลงในขยะบ้าน!



Bahasa Indonesia

Petunjuk Keselamatan

Petunjuk keselamatan umum untuk perkakas listrik

PERINGATAN Baca semua peringatan, petunjuk, ilustrasi, dan spesifikasi

keselamatan yang diberikan bersama perkakas listrik

ini. Kesalahan dalam menjalankan petunjuk di bawah ini dapat mengakibatkan sengatan listrik, kebakaran, dan/atau cedera serius.

Simpanlah semua peringatan dan petunjuk untuk penggunaan di masa mendatang.

Istilah "perkakas listrik" dalam peringatan mengacu pada perkakas listrik yang dioperasikan dengan listrik (menggunakan kabel) atau perkakas listrik yang dioperasikan dengan baterai (tanpa kabel).

Keamanan tempat kerja

▶ **Jaga kebersihan dan pencahayaan area kerja.** Area yang berantakan atau gelap dapat memicu kecelakaan.

- ▶ **Jangan mengoperasikan perkakas listrik di lingkungan yang dapat memicu ledakan, seperti adanya cairan, gas, atau debu yang mudah terbakar.** Perkakas listrik dapat memancarkan bunga api yang kemudian mengakibatkan debu atau uap terbakar.
- ▶ **Jauhkan dari jangkauan anak-anak dan pengamat saat mengoperasikan perkakas listrik.** Gangguan dapat menyebabkan hilangnya kendali.

Keamanan listrik

- ▶ **Steker perkakas listrik harus sesuai dengan stopkontak. Jangan pernah memodifikasi steker. Jangan menggunakan steker adaptor bersama dengan perkakas listrik yang terhubung dengan sistem grounding.** Steker yang tidak dimodifikasi dan stopkontak yang cocok akan mengurangi risiko sengatan listrik.
- ▶ **Hindari kontak badan dengan permukaan yang terhubung dengan sistem grounding, seperti pipa, radiator, kompor, dan lemari es.** Terdapat peningkatan risiko terjadinya sengatan listrik jika badan Anda terhubung dengan sistem grounding.
- ▶ **Perkakas listrik tidak boleh terpapar hujan atau basah.** Air yang masuk ke dalam perkakas listrik menambah risiko terjadinya sengatan listrik.
- ▶ **Jangan menyalahgunakan kabel. Jangan gunakan kabel untuk membawa, menarik, atau melepas steker perkakas listrik. Jauhkan kabel dari panas, minyak, tepi yang tajam, atau komponen yang bergerak.** Kabel listrik yang rusak atau tersangkut menambah risiko terjadinya sengatan listrik.
- ▶ **Saat mengoperasikan perkakas listrik di luar ruangan, gunakan kabel ekstensi yang sesuai untuk penggunaan di luar ruangan.** Penggunaan kabel yang cocok untuk pemakaian di luar ruangan mengurangi risiko terjadinya sengatan listrik.
- ▶ **Jika perkakas listrik memang harus dioperasikan di tempat yang lembap, gunakan pemutus arus listrik residu (RCD).** Penggunaan RCD akan mengurangi risiko terjadinya sengatan listrik.

Keselamatan personel

- ▶ **Tetap waspada, perhatikan aktivitas yang sedang dikerjakan dan gunakan akal sehat saat mengoperasikan perkakas listrik. Jangan gunakan perkakas listrik saat mengalami kelelahan atau di bawah pengaruh narkoba, alkohol, atau obat-obatan.** Jika perkakas listrik dioperasikan dengan daya konsentrasi yang rendah, hal tersebut dapat menyebabkan cedera serius.
- ▶ **Gunakan peralatan pelindung diri. Selalu kenakan pelindung mata.** Penggunaan perlengkapan pelindung seperti penutup telinga, helm, sepatu anti licin, dan masker debu akan mengurangi cedera.
- ▶ **Hindari start yang tidak disengaja. Pastikan switch berada di posisi off sebelum perkakas listrik dihubungkan ke sumber daya listrik dan/atau baterai, diangkat, atau dibawa.** Membawa perkakas listrik

dengan jari menempel pada tombol atau perkakas listrik dalam keadaan hidup dapat memicu kecelakaan.

- ▶ **Singkirkan kunci penyetel atau kunci pas sebelum menghidupkan perkakas listrik.** Perkakas atau kunci pas yang masih menempel pada komponen perkakas listrik yang berputar dapat menyebabkan cedera.
- ▶ **Jangan melampaui batas. Berdirilah secara mantap dan selalu jaga keseimbangan.** Hal ini akan memberikan kontrol yang lebih baik terhadap perkakas listrik pada situasi yang tak terduga.
- ▶ **Kenakan pakaian dengan wajar. Jangan mengenakan perhiasan atau pakaian yang longgar. Jauhkan rambut dan pakaian dari komponen yang bergerak.** Pakaian yang longgar, rambut panjang, atau perhiasan dapat tersangkut dalam komponen yang bergerak.
- ▶ **Jika disediakan perangkat untuk sambungan pengisapan debu dan alat pengumpulan, pastikan perangkat tersebut terhubung dan digunakan dengan benar.** Penggunaan alat pengumpulan dapat mengurangi bahaya yang disebabkan oleh debu.
- ▶ **Jangan berpuas diri dan mengabaikan prinsip keselamatan karena terbiasa mengoperasikan perkakas.** Tindakan yang kurang hati-hati dapat mengakibatkan cedera serius dalam waktu sepersekian detik.

Penggunaan dan pemeliharaan perkakas listrik

- ▶ **Jangan memaksakan perkakas listrik. Gunakan perkakas listrik yang sesuai untuk pekerjaan yang dilakukan.** Perkakas listrik yang sesuai akan bekerja dengan lebih baik dan aman sesuai tujuan penggunaan.
- ▶ **Jangan gunakan perkakas listrik dengan switch yang tidak dapat dioperasikan.** Perkakas listrik yang switchnya yang tidak berfungsi dapat menimbulkan bahaya dan harus diperbaiki.
- ▶ **Lepaskan steker dari sumber listrik dan/atau lepas baterai, jika dapat dilepaskan dari perkakas listrik sebelum menyetel, mengganti aksesoris, atau menyimpan perkakas listrik.** Tindakan preventif akan mengurangi risiko menghidupkan perkakas listrik secara tidak disengaja.
- ▶ **Jauhkan dan simpan perkakas listrik dari jangkauan anak-anak dan jangan biarkan orang-orang yang tidak mengetahui cara menggunakan perkakas listrik, mengoperasikan perkakas listrik.** Perkakas listrik dapat membahayakan jika digunakan oleh orang-orang yang tidak terlatih.
- ▶ **Lakukan pemeliharaan perkakas listrik dan aksesoris. Periksa komponen yang bergerak apabila tidak lurus atau terikat, kerusakan komponen, dan kondisi lain yang dapat mengganggu pengoperasian perkakas listrik. Apabila rusak, perbaiki perkakas listrik sebelum digunakan.** Kecelakaan sering terjadi karena perkakas listrik tidak dirawat dengan baik.
- ▶ **Jaga ketajaman dan kebersihan alat.** Alat pemotong dengan pisau pemotong yang tajam dan dirawat dengan

baik tidak akan mudah tersangkut dan lebih mudah dikendalikan.

- ▶ **Gunakan perkakas listrik, aksesoris, dan komponen perkakas dll sesuai dengan petunjuk ini, dengan mempertimbangkan kondisi kerja dan pekerjaan yang akan dilakukannya.** Penggunaan perkakas listrik untuk tujuan berbeda dari fungsinya dapat menyebabkan situasi yang berbahaya.
- ▶ **Jaga gagang dan permukaan genggam agar tetap kering, bersih, dan bebas dari minyak dan lemak.** Gagang dan permukaan genggam yang licin tidak menjamin keamanan kerja dan kontrol alat yang baik pada situasi yang tidak terduga.

Servis

- ▶ **Minta teknisi berkualifikasi untuk menyervis perkakas listrik dengan hanya menggunakan suku cadang yang identik.** Dengan demikian, hal ini akan memastikan keamanan perkakas listrik.

Petunjuk keselamatan untuk gerinda

- ▶ **Pegang erat perkakas listrik dengan kedua tangan selama mengoperasikannya dan pastikan Anda berdiri di posisi aman.** Gunakan perkakas listrik dengan kedua tangan secara hati-hati.
- ▶ **Hanya gunakan perkakas listrik untuk melakukan penggerindaan kering.** Air yang masuk ke dalam perkakas listrik menambah risiko terjadinya kontak listrik.
- ▶ **Waspada terhadap risiko terbakar! Hindari benda kerja dan gerinda agar tidak menjadi terlalu panas. Kosongkan kontainer debu sebelum Anda menghentikan pekerjaan sementara.** Debu penggerindaan pada kantong debu, microfilter, kantong kertas (atau pada kantong filter atau filter pengisap debu) dapat terbakar dengan sendirinya pada kondisi tertentu, misalnya akibat percikan api saat menggerinda logam. Khususnya, terdapat bahaya jika debu penggerindaan tercampur dengan sisa cat, sisa poliuretana, atau bahan kimia lainnya dan benda kerja dalam keadaan panas setelah penggerindaan dalam waktu yang lama.
- ▶ **Bersihkan lubang ventilasi pada perkakas listrik secara rutin.** Kipas angin motor menarik debu ke dalam rumah dan debu logam dalam jumlah yang besar dan listrik bisa mengakibatkan bahaya.

Data teknis

Mesin ampelas orbital		GSS 20-18	GSS 20-18 A
Nomor barang		3 601 K70 1..	3 601 K70 1..
Input daya nominal	W	200	200
Pemilihan awal jumlah getaran		-	●
Kecepatan idle	min ⁻¹	12000	8000-12000
Jumlah getaran kecepatan idle	min ⁻¹	24000	16000-24000
Diameter orbit	mm	2,0	2,0
Ukuran kertas ampelas			

- ▶ **Gunakan alat kerja dengan aman.** Benda yang ditahan dalam alat pemegang atau bais lebih aman daripada benda yang dipegang dengan tangan.
- ▶ **Tunggu perkakas listrik hingga berhenti sebelum meletakkannya.**

Spesifikasi produk dan performa



Bacalah semua petunjuk keselamatan dan petunjuk penggunaan. Kesalahan dalam menjalankan petunjuk keselamatan dan petunjuk penggunaan dapat mengakibatkan kontak listrik, kebakaran, dan/atau luka-luka yang berat.

Perhatikan ilustrasi yang terdapat pada sisi sampul panduan pengoperasian.

Tujuan penggunaan

Perkakas listrik ini cocok untuk mengampelas kering bahan kayu, bahan sintetik, logam, dempul serta permukaan-permukaan yang bercat.

Ilustrasi komponen

Penomoran ilustrasi komponen mengacu pada gambar perkakas listrik pada halaman grafis.

- (1) Roda penyetel pemilihan awal jumlah getaran (GSS 20-18 A)
 - (2) Tombol on/off
 - (3) Kantong debu (GSS 20-18 A)
 - (4) Strip penjepit belakang
 - (5) Braket penjepit (2x)
 - (6) Pelat ampelas
 - (7) Kertas ampelas
 - (8) Strip penjepit depan
 - (9) Gagang (permukaan genggam berisolator)
 - (10) Alat perforasi^{a)}
 - (11) Sekrup untuk pelat ampelas
 - (12) Slang pengisap^{a)}
 - (13) Saluran pembuangan (GSS 20-18 A)
- a) **Aksesori ini tidak termasuk dalam lingkup pengiriman standar.**

Mesin ampelas orbital		GSS 20-18	GSS 20-18 A
– Kain perekat	mm	–	93 x 186
– Ketegangan jepit	mm	93 x 230	93 x 230
Ukuran pelat ampelas	mm	90 x 183	90 x 183
Berat ^{A)}	kg	1,5	1,6
Tingkat perlindungan		□/II	□/II

A) Berat tanpa kabel sambungan listrik dan tanpa steker listrik

Data-data berlaku untuk tegangan nominal [U] 230 V. Pada tegangan yang lebih rendah dan pada model khusus mancanegara data-data ini bisa berlainan.

Nilai dapat berbeda-beda bergantung pada produk dan mungkin tunduk pada kondisi lingkungan serta penggunaan. Informasi lebih lanjut pada www.bosch-professional.com/wac.

Pemasangan

- ▶ **Sebelum mulai dengan pekerjaan pada perkakas listrik, tariklah steker dari stopkontak.**

Pengisapan debu/serbuk

Debu dari bahan-bahan seperti cat yang mengandung timbal, beberapa jenis kayu, bahan mineral dan logam dapat berbahaya bagi kesehatan. Menyentuh atau menghirup debu tersebut dapat mengakibatkan reaksi alergi dan/atau penyakit saluran pernapasan bagi pengguna atau orang yang berada di dekatnya.

Beberapa debu tertentu seperti misalnya debu kayu pohon ek atau pohon fagus silvatica dianggap dapat mengakibatkan penyakit kanker, terutama dalam campuran dengan bahan-bahan tambahan untuk pengolahan kayu (kromat, obat pengawet kayu). Bahan-bahan yang mengandung asbestos hanya boleh dikerjakan oleh orang-orang yang ahli.

- Gunakanlah hanya pengisap debu yang cocok untuk mengisap bahan yang dikerjakan.
- Pastikan terdapat ventilasi udara yang baik di tempat kerja.
- Dianjurkan untuk memakai masker anti debu dengan filter kelas P2.

Taatilah peraturan-peraturan untuk bahan-bahan yang dikerjakan yang berlaku di negara Anda.

- ▶ **Hindari debu yang banyak terkumpul di tempat kerja.** Debu dapat tersulut dengan mudah.

Ekstraksi otomatis dengan kantong debu (lihat gambar G – K)

Untuk mengosongkan kantong debu, lepaskan seluruh bagian kantong debu (3) dari saluran pembuangan (13).

Buka sekrup tutup kantong debu. Kosongkan kantong debu dan pasang kembali sekrup tutup kantong debu.

Pasang dan masukkan kantong debu lengkap (3) pada saluran pembuangan (13) hingga kantong debu terpasang rata dengan alat.

Catatan: Untuk menjamin ekstraksi debu yang optimal, kosongkan kantong debu (3) tepat pada waktunya.

Saat bekerja pada permukaan vertikal, tahan perkakas listrik sedemikian rupa hingga kantong debu lengkap (3) menghadap ke bawah.

Ekstraksi debu eksternal (lihat gambar L)

Pasang slang pengisap (12) pada saluran pembuangan (13). Sambungkan slang pengisap (12) dengan pengisap debu. Ikhtisar untuk menyambungkan berbagai pengisap debu dapat dilihat di bagian akhir panduan ini.

Mesin pengisap debu harus sesuai dengan bahan yang dikerjakan.

Gunakanlah mesin pengisap khusus saat mengisap debu yang sangat berbahaya bagi kesehatan, pemicu kanker, atau debu yang sangat kering.

Di Jerman, ekstraktor debu yang teruji diperlukan untuk debu kayu berdasarkan TRGS 553, ekstraksi otomatis tidak boleh digunakan di sektor komersial. Untuk material lainnya, operator komersial harus menjelaskan persyaratan khusus dengan asosiasi dagang yang bertanggung jawab.

Mengganti kertas ampelas

Bersihkan kotoran dan debu pada pelat ampelas (6), misalnya dengan sikat, sebelum memasang kertas ampelas yang baru.

Untuk menjamin ekstraksi debu yang optimal, pastikan lubang pada kertas ampelas sesuai dengan lubang bor pada pelat ampelas.

Kertas ampelas dengan kain perekat (lihat gambar A) Hanya tersedia pada beberapa versi perkakas listrik GSS 20-18 A:

Pelat ampelas (6) dilengkapi dengan kain perekat sehingga kertas ampelas dapat dilekatkan dengan cepat dan mudah. Sebelum memasang kertas ampelas (7), bersihkan kain perekat pelat ampelas (6) dengan cara ditepuk-tepuk guna memungkinkan perekatan yang optimal.

Pasang kertas ampelas (7) pada sisi pelat ampelas (6) secara merata, lalu letakkan kertas ampelas di atas pelat ampelas dan tekan dengan kuat.

Untuk melepas kertas ampelas (7), pegang salah satu ujung kertas ampelas dan tarik kertas ampelas dari pelat ampelas (6).

Kertas ampelas tanpa kain perekat (lihat gambar B–D)

- 1 Buka penguncian kedua braket penjepit (5) dan gerakkan ke bawah.
- 2 Masukkan kertas ampelas (7) di bawah strip penjepit belakang (4). Pastikan lebar kertas ampelas (7) tidak

terlalu pendek dan dijepit dengan benar. Gerakkan braket penjepit **(5)** kembali ke posisi semula dan kunci di tempatnya.

- ⑧ Pasang kertas ampelas dengan kencang ke pelat ampelas **(6)**. Jepit bagian depan kertas ampelas di bawah strip penjepit depan **(8)**. Pastikan lebar kertas ampelas **(7)** tidak terlalu pendek dan dijepit dengan benar. Gerakkan braket penjepit **(5)** kembali ke posisi semula dan kunci di tempatnya.

Untuk melepaskan kertas ampelas **(7)**, lepaskan kedua braket penjepit **(5)** dan keluarkan kertas ampelas dari penahannya.

Kertas ampelas yang tidak berlubang seperti material gulungan atau meteran dapat dilubangi dengan alat perforasi **(10)** untuk membersihkan debu. Tekan alat perkakas dengan kertas ampelas yang terpasang pada alat perforasi (lihat gambar E).

Memilih kertas ampelas

Tersedia berbagai jenis kertas ampelas menyesuaikan material yang dikerjakan dan penghalusan permukaan yang diinginkan :

	Butiran
red:Wood	40 – 240

Untuk pengerjaan pada semua material berbahan kayu

Untuk pengampelasan awal, misalnya pada balok dan papan yang kasar dan tidak rata	kasar	40, 60
Untuk pengampelasan permukaan dan untuk meratakan permukaan yang tidak rata	sedang	80, 100, 120
Untuk pengampelasan halus dan pengampelasan akhir pada kayu yang keras	halus	180, 240

white:Paint	40 – 320
--------------------	----------

Untuk pengerjaan dengan lapisan cat/pernis atau lapisan cat dasar seperti filler dan primer

Untuk mengikis cat lama	kasar	40, 60
Untuk mengampelas cat dasar	sedang	80, 100, 120
Untuk mengampelas halus cat dasar sebelum mengecat lapisan terakhir	halus	180, 240, 320

Mengganti pelat ampelas (lihat gambar F)

Bantalan ampelas **(6)** dapat diganti sesuai keperluan.

Lepas keempat baut **(11)** dan lepaskan bantalan ampelas **(6)**. Pasang bantalan ampelas baru **(6)** dan kencangkan baut kembali.

Penggunaan

Cara penggunaan

- ▶ **Perhatikan tegangan jaringan listrik!** Tegangan jaringan listrik harus sesuai dengan tegangan listrik yang tercantum pada label tipe perkakas listrik.

Menghidupkan/mematikan

- ▶ **Pastikan bahwa Anda dapat mengoperasikan tombol untuk menghidupkan dan mematikan tanpa perlu melepaskan handle.**

Untuk **menghidupkan** perkakas listrik, geser tombol on/off **(2)** ke depan ke posisi "I".

Untuk **mematikan** perkakas listrik, geser tombol on/off **(2)** ke belakang ke posisi "0".

Penyetelan awal jumlah getaran

Dengan roda penyetelan awal jumlah getaran **(1)**, jumlah getaran yang diperlukan juga dapat disetel selama pengoperasian.

Banyaknya getaran yang diperlukan tergantung pada bahan yang dikerjakan dan syarat-syarat kerja dan dapat ditentukan dengan melakukan uji coba sebelumnya.

Petunjuk pengoperasian

- ▶ **Sebelum mulai dengan pekerjaan pada perkakas listrik, tarikhlah steker dari stopkontak.**
- ▶ **Tunggu perkakas listrik hingga berhenti sebelum meletakkannya.**

Pengikisan selama mengampelas ditentukan terutama oleh kertas ampelas yang dipilih serta jumlah getaran **(1)** yang dipilih sebelumnya.

Hanya kertas ampelas yang baik yang menghasilkan kinerja pengampelasan yang sempurna dan memelihara fungsi perkakas listrik.

Pastikan daya tekan selalu merata agar meningkatkan masa pakai kertas ampelas.

Menambah daya tekan tidak akan meningkatkan kinerja pengampelasan, melainkan hanya membuat perkakas listrik aus dan pelat ampelas lebih cepat rusak.

Kertas ampelas yang telah digunakan untuk mengerjakan logam, tidak boleh digunakan untuk mengerjakan bahan-bahan lainnya.

Hanya gunakan aksesoris pengampelasan **Bosch** yang asli.

Perawatan dan servis

Perawatan dan pembersihan

- ▶ **Sebelum mulai dengan pekerjaan pada perkakas listrik, tarikhlah steker dari stopkontak.**
- ▶ **Perkakas listrik dan lubang ventilasi harus selalu dibersihkan agar perkakas dapat digunakan dengan baik dan aman.**

Jika kabel listrik harus diganti, pekerjaan ini harus dilakukan oleh **Bosch** atau Service Center untuk perkakas listrik **Bosch** resmi agar keselamatan kerja selalu terjamin.

Layanan pelanggan dan konsultasi penggunaan

Layanan pelanggan Bosch menjawab semua pertanyaan Anda tentang reparasi dan perawatan serta tentang suku cadang produk ini. Gambaran teknis (exploded view) dan informasi mengenai suku cadang dapat ditemukan di:

www.bosch-pt.com

Tim konsultasi penggunaan Bosch akan membantu Anda menjawab pertanyaan seputar produk kami beserta aksesorinya.

Jika Anda hendak menanyakan sesuatu atau memesan suku cadang, selalu sebutkan nomor model yang terdiri dari 10 angka dan tercantum pada label tipe produk.

Indonesia

PT Robert Bosch Indonesia
Arkadia Green Park Tower G – 7th floor
Jl. Let. Jend. TB. Simatupang Kav. 88
Jakarta 12520
Tel.: (021) 3005 5800
Fax: (021) 3005 5801
E-Mail: boschpowertools@id.bosch.com
www.bosch-pt.co.id

Alamat layanan lainnya dapat ditemukan di:

www.bosch-pt.com/serviceaddresses

Cara membuang

Perkakas listrik, aksesoris, dan kemasan sebaiknya didaur ulang secara ramah lingkungan.



Jangan membuang perkakas listrik ke dalam tempat sampah rumah tangga!

Tiếng Việt

Hướng dẫn an toàn

Hướng dẫn an toàn chung cho dụng cụ điện

⚠ CẢNH BÁO Hãy đọc toàn bộ các cảnh báo an toàn, hướng dẫn, hình ảnh và thông số kỹ thuật được cung cấp cho dụng cụ điện cầm tay này. Không tuân thủ mọi hướng dẫn được liệt kê dưới đây có thể bị điện giật, gây cháy và /hay bị thương tật nghiêm trọng. **Hãy giữ tất cả tài liệu về cảnh báo và hướng dẫn để tham khảo về sau.**

Thuật ngữ "dụng cụ điện cầm tay" trong phần cảnh báo là để cập đến sự sử dụng dụng cụ điện cầm tay của bạn, loại sử dụng điện nguồn (có dây cắm điện) hay vận hành bằng pin (không dây cắm điện).

Khu vực làm việc an toàn

- ▶ **Giữ nơi làm việc sạch và đủ ánh sáng.** Nơi làm việc bừa bộn và tối tăm dễ gây ra tai nạn.
- ▶ **Không vận hành dụng cụ điện cầm tay trong môi trường dễ gây nổ, chẳng hạn như nơi có chất lỏng dễ cháy, khí đốt hay rác.** Dụng cụ điện cầm tay tạo ra các tia lửa nên có thể làm rác bén cháy hay bốc khói.
- ▶ **Không để trẻ em hay người đến xem đứng gần khi vận hành dụng cụ điện cầm tay.** Sự phân tâm có thể gây ra sự mất điều khiển.

An toàn về điện

- ▶ **Phích cắm của dụng cụ điện cầm tay phải thích hợp với ổ cắm.** Không bao giờ được cài biến lại phích cắm dưới mọi hình thức. Không được sử dụng phích tiếp hợp nối tiếp đất (dây mát). Phích cắm nguyên bản và ổ cắm đúng loại sẽ làm giảm nguy cơ bị điện giật.
- ▶ **Tránh không để thân thể tiếp xúc với đất hay các vật có bề mặt tiếp đất như đường ống, lò sưởi, hàng rào và tủ lạnh.** Có nhiều nguy cơ bị điện giật hơn nếu cơ thể bạn bị tiếp hay nối đất.
- ▶ **Không được để dụng cụ điện cầm tay ngoài mưa hay ở tình trạng ẩm ướt.** Nước vào máy sẽ làm tăng nguy cơ bị điện giật.
- ▶ **Không được lạm dụng dây dẫn điện.** Không bao giờ được nắm dây dẫn để xách, kéo hay rút phích cắm dụng cụ điện cầm tay. Không để dây gần nơi có nhiệt độ cao, dầu nhớt, vật nhọn bén và bộ phận chuyển động. Làm hỏng hay cuộn rối dây dẫn làm tăng nguy cơ bị điện giật.
- ▶ **Khi sử dụng dụng cụ điện cầm tay ngoài trời, dùng dây nối thích hợp cho việc sử dụng ngoài trời.** Sử dụng dây nối thích hợp cho việc sử dụng ngoài trời làm giảm nguy cơ bị điện giật.
- ▶ **Nếu việc sử dụng dụng cụ điện cầm tay ở nơi ẩm ướt là không thể tránh được, dùng thiết bị ngắt mạch tự động (RCD) bảo vệ nguồn.** Sử dụng thiết bị ngắt mạch tự động RCD làm giảm nguy cơ bị điện giật.

An toàn cá nhân

- ▶ **Hãy tỉnh táo, biết rõ mình đang làm gì và hãy sử dụng ý thức khi vận hành dụng cụ điện cầm tay.** Không sử dụng dụng cụ điện cầm tay khi đang mệt mỏi hay đang bị tác động do chất gây nghiện, rượu hay dược phẩm gây ra. Một thoáng mất tập trung khi đang vận hành dụng cụ điện cầm tay có thể gây thương tích nghiêm trọng cho bản thân.
- ▶ **Sử dụng trang bị bảo hộ cá nhân.** Luôn luôn đeo kính bảo vệ mắt. Trang bị bảo hộ như khẩu trang, giày chống trượt, nón bảo hộ, hay dụng cụ bảo vệ tai khi được sử dụng đúng nơi đúng chỗ sẽ làm giảm nguy cơ thương tật cho bản thân.

- ▶ **Phòng tránh máy khởi động bất ngờ.** **Bảo đảm công tắc máy ở vị trí tắt trước khi cắm vào nguồn điện và/hay lắp pin vào, khi nhấn máy lên hay khi mang xách máy.** Ngáng ngón tay vào công tắc máy để xách hay kích hoạt dụng cụ điện cầm tay khi công tắc ở vị trí mở để dẫn đến tai nạn.
- ▶ **Lấy mọi chìa hay khóa điều chỉnh ra trước khi mở điện dụng cụ điện cầm tay.** Khóa hay chìa còn gắn dính vào bộ phận quay của dụng cụ điện cầm tay có thể gây thương tích cho bản thân.
- ▶ **Không rướn người.** Luôn luôn giữ tư thế đứng thích hợp và thăng bằng. Điều này tạo cho việc điều khiển dụng cụ điện cầm tay tốt hơn trong mọi tình huống bất ngờ.
- ▶ **Trang phục thích hợp.** Không mặc quần áo rộng lưng thùng hay mang trang sức. Giữ tóc và quần áo xa khỏi các bộ phận chuyển động. Quần áo rộng lưng thùng, đồ trang sức hay tóc dài có thể bị cuốn vào các bộ phận chuyển động.
- ▶ **Nếu có các thiết bị đi kèm để nối máy hút bụi và các phụ kiện khác, bảo đảm các thiết bị này được nối và sử dụng tốt.** Việc sử dụng các thiết bị gom hút bụi có thể làm giảm các độc hại liên quan đến bụi gây ra.
- ▶ **Không để thói quen do sử dụng thường xuyên dụng cụ khiến bạn trở nên chủ quan và bỏ qua các quy định an toàn dụng cụ.** Một hành vi bất cẩn có thể gây ra thương tích nghiêm trọng chỉ trong tích tắc.

Sử dụng và bảo dưỡng dụng cụ điện cầm tay

- ▶ **Không được ép máy.** Sử dụng dụng cụ điện cầm tay đúng loại theo đúng ứng dụng của bạn. Dụng cụ điện cầm tay đúng chức năng sẽ làm việc tốt và an toàn hơn theo đúng tiến độ mà máy được thiết kế.
- ▶ **Không sử dụng dụng cụ điện cầm tay nếu như công tắc không tắt và mở được.** Bất kỳ dụng cụ điện cầm tay nào mà không thể điều khiển được bằng công tắc là nguy hiểm và phải được sửa chữa.
- ▶ **Rút phích cắm ra khỏi nguồn điện và/hay pin ra khỏi dụng cụ điện cầm tay nếu có thể tháo được, trước khi tiến hành bất kỳ điều chỉnh nào, thay phụ kiện, hay cắt dụng cụ điện cầm tay.** Các biện pháp ngăn ngừa như vậy làm giảm nguy cơ dụng cụ điện cầm tay khởi động bất ngờ.
- ▶ **Cất giữ dụng cụ điện cầm tay không dùng tới nơi trẻ em không lấy được và không cho người chưa từng biết dụng cụ điện cầm tay hay các hướng dẫn này sử dụng dụng cụ điện cầm tay.** Dụng cụ điện cầm tay nguy hiểm khi ở trong tay người chưa được chỉ cách sử dụng.

- ▶ **Bảo quản dụng cụ điện cầm tay và các phụ kiện.** Kiểm tra xem các bộ phận chuyển động có bị sai lệch hay kẹt, các bộ phận bị rạn nứt và các tình trạng khác có thể ảnh hưởng đến sự vận hành của máy. Nếu bị hư hỏng, phải sửa chữa máy trước khi sử dụng. Nhiều tai nạn xảy ra do bảo quản dụng cụ điện cầm tay tồi.
- ▶ **Giữ các dụng cụ cắt bén và sạch.** Bảo quản đúng cách các dụng cụ cắt có cạnh cắt bén làm giảm khả năng bị kẹt và dễ điều khiển hơn.
- ▶ **Sử dụng dụng cụ điện cầm tay, phụ kiện, đầu cài v. v., đúng theo các chỉ dẫn này, hãy lưu ý đến điều kiện làm việc và công việc phải thực hiện.** Sự sử dụng dụng cụ điện cầm tay khác với mục đích thiết kế có thể tạo nên tình huống nguy hiểm.
- ▶ **Giữ tay cầm và bề mặt nắm luôn khô ráo, sạch sẽ và không dính dầu mỡ.** Tay cầm và bề mặt nắm trơn trượt không đem lại thao tác an toàn và kiểm soát dụng cụ trong các tình huống bất ngờ.

Bảo dưỡng

- ▶ **Đưa dụng cụ điện cầm tay của bạn đến thợ chuyên môn để bảo dưỡng, chỉ sử dụng phụ tùng đúng chủng loại để thay.** Điều này sẽ đảm bảo sự an toàn của máy được giữ nguyên.

Các hướng dẫn an toàn cho máy mài

- ▶ **Giữ máy thật chắc bằng cả hai tay trong khi làm việc và luôn luôn giữ tư thế đứng cho thích hợp và cân bằng.** Dùng hai tay để điều khiển máy thì an toàn hơn.
- ▶ **Chỉ sử dụng dụng cụ điện để mài khô.** Nướng vào máy sẽ làm tăng nguy cơ bị điện giật.
- ▶ **Chú ý nguy cơ cháy! Tránh quá nhiệt vật liệu mài và máy mài.** Luôn xả rỗng thùng chứa bụi trước khi tạm dừng làm việc. Bụi mài trong túi chứa bụi, bộ vi lọc, túi giấy (hoặc trong bộ lọc kiểu túi hoặc bộ lọc của máy hút bụi) có thể tự đánh lửa dưới các điều kiện không phù hợp, như tia lửa điện bay ra khi mài kim loại. Có nguy hiểm đặc biệt, nếu bụi mài trộn với các cặn sơn, cặn polyurethane hoặc những chất hóa học khác và vật liệu mài nóng lên sau thời gian dài hoạt động.
- ▶ **Thường xuyên làm sạch các khe thông gió của dụng cụ điện.** Quạt gió motor sẽ kéo bụi nằm trong vỏ máy ra và sự tích tụ quá nhiều bột kim loại có thể gây nên các nguy hiểm về điện.
- ▶ **Kẹp chặt vật gia công.** Vật gia công được kẹp bằng một thiết bị kẹp hay bằng ê-tô thì vững chắc hơn giữ bằng tay.
- ▶ **Luôn luôn đợi cho máy hoàn toàn ngừng hẳn trước khi đặt xuống.**

Mô Tả Sản Phẩm và Đặc Tính Kỹ Thuật



Đọc kỹ mọi cảnh báo an toàn và mọi hướng dẫn. Không tuân thủ mọi cảnh báo và hướng dẫn được liệt kê dưới đây có thể bị điện giật, gây cháy và / hay bị thương tật nghiêm trọng.

Xin lưu ý các hình minh họa trong phần trước của hướng dẫn vận hành.

Sử dụng đúng cách

Máy được thiết kế để chà khô vật liệu gỗ, nhựa mù, kim loại, chất trám độn cũng như các bề mặt đã sơn phủ.

Các bộ phận được minh họa

Việc đánh số các thành phần đã minh họa liên quan đến mô tả dụng cụ điện trên trang hình ảnh.

- (1) Núm vặn khóa dùng chọn trước tần suất xoay tròn (GSS 20-18 A)
 - (2) Công tắc bật/tắt
 - (3) Túi đựng bụi (GSS 20-18 A)
 - (4) Gọng kẹp sau
 - (5) Giá kẹp (2 x)
 - (6) Tấm mài
 - (7) Giấy nhám
 - (8) Gọng kẹp trước
 - (9) Tay nắm (bề mặt nắm cách điện)
 - (10) Dụng cụ đục lỗ^{a)}
 - (11) Vít vặn đế chà
 - (12) Ống hút^{a)}
 - (13) Lỗ thoát (GSS 20-18 A)
- a) **Phụ kiện này không thuộc phạm vi giao hàng tiêu chuẩn.**

Thông số kỹ thuật

Máy chà nhám xoay		GSS 20-18	GSS 20-18 A
Mã số máy		3 601 K70 1..	3 601 K70 1..
Công suất vào danh định	W	200	200
Sự chọn trước tốc độ của hành trình xoay tròn		-	●
Tốc độ không tải	/phút	12000	8000-12000
Tần suất vòng xoay	/phút	24000	16000-24000
Đường kính mạch dao động	mm	2,0	2,0
Kích cỡ giấy nhám			
- Khóa dán	mm	-	93 x 186
- Điện áp đầu cuối	mm	93 x 230	93 x 230
Kích cỡ đế chà	mm	90 x 183	90 x 183
Trọng lượng ^{A)}	kg	1,5	1,6
Cấp độ bảo vệ		□ / II	□ / II

A) Trọng lượng không có cáp lưới điện và không có phích cắm điện nguồn

Các giá trị đã cho có hiệu lực cho điện thế danh định [U] 230 V. Đối với điện thế thấp hơn và các loại máy dành riêng cho một số quốc gia, các giá trị này có thể thay đổi.

Các giá trị có thể khác nhau tùy thuộc vào sản phẩm và tùy thuộc vào ứng dụng và điều kiện môi trường. Xem thêm thông tin chi tiết trên trang www.bosch-professional.com/wac.

Sự lắp vào

- ▶ **Trước khi tiến hành bất cứ việc gì trên máy, kéo phích cắm điện nguồn ra.**

Hút Dăm/Bụi

Mặt bụi từ các vật liệu được sơn phủ ngoài có chứa chì trên một số loại gỗ, khoáng vật và kim loại có thể gây nguy hại đến sức khỏe con người. Đùng chạm hay hít thở các bụi này có thể làm người sử dụng hay đứng gần bị dị ứng và/hoặc gây nhiễm trùng hệ hô hấp.

Một số mặt bụi cụ thể, ví dụ như bụi gỗ sỏi hay

đầu, được xem là chất gây ung thư, đặc biệt là có liên quan đến các chất phụ gia dùng xử lý gỗ (chất cromat, chất bảo quản gỗ). Có thể chỉ nên để thợ chuyên môn gia công các loại vật liệu có chứa amiăng.

- Cách xa ở mức có thể được, sử dụng hệ thống hút thích hợp cho loại vật liệu.
- Tạo không khí thông thoáng nơi làm việc.
- Khuyến nghị nên mang mặt nạ phòng độc có bộ lọc cấp P2.

Tuân thủ các qui định của quốc gia bạn liên quan đến loại vật liệu gia công.

► Tránh không để rác tích tụ tại nơi làm việc.

Rác có thể dễ dàng bắt lửa.

Hệ thống hút bụi tích hợp có túi đựng bụi (xem Hình ảnh G–K)

Để trút sạch túi đựng bụi, hãy kéo toàn bộ túi đựng bụi (3) ra khỏi lỗ thoát (13).

Vặn tháo nắp khỏi túi đựng bụi. Xả sạch túi đựng bụi và vặn nắp lại.

Đặt và đẩy toàn bộ túi đựng bụi (3) lên lỗ thoát (13) cho đến khi nó khít với dụng cụ.

Hướng dẫn: Để đảm bảo hút bụi tối ưu hãy xả rỗng túi đựng bụi (3) đúng lúc.

Khi gia công bề mặt thẳng đứng, nắm dụng cụ điện cách sao cho túi đựng bụi (3) hướng xuống.

Hút bụi bên ngoài (xem Hình L)

Cắm ống hút (12) vào vòi xả (13).

Nối ống hút (12) với một chiếc máy hút bụi. Ở phần cuối của tài liệu hướng dẫn này bạn sẽ tìm thấy phần tổng quan về việc kết nối ở các máy hút bụi khác nhau.

Máy hút bụi phải thích hợp dành cho loại vật liệu đang gia công.

Khi hút bụi khô loại đặc biệt gây nguy hại đến sức khỏe hoặc gây ra ung thư, hãy sử dụng máy hút bụi loại chuyên dụng.

Ở Đức, cần phải sử dụng thiết bị hút bụi gỗ được kiểm tra trên cơ sở TRGS 553, loại máy hút bụi cá nhân không được phép sử dụng trong lĩnh vực chuyên nghiệp. Đối với các chất liệu khác, nhà điều hành cơ sở kinh doanh phải làm rõ các yêu cầu đặc biệt với hiệp hội bảo hiểm trách nhiệm của chủ lao động có thẩm quyền.

Thay Giấy Nhám

Trước khi dùng một đĩa chà nhám mới, hãy loại bỏ bụi bẩn khỏi đế nhám (6), ví dụ bằng bàn chải.

Để đảm bảo hút bụi tối ưu, hãy lưu ý rằng lỗ đột trên giấy nhám phải khớp với các lỗ khoan trên đế chà.

Giấy nhám có khóa dán (xem Hình A)**Chỉ có sẵn ở một số phiên bản của dụng cụ điện GSS 20-18 A :**

Đế chà (6) được trang bị một sợi băng dán xe, để bạn có thể gắn giấy nhám có khóa dán một cách nhanh chóng và dễ dàng.

Hãy gỡ nhẹ sợi băng dán của đế chà (6) trước khi đặt giấy nhám (7), để tạo độ bám tối ưu.

Hãy đặt chính xác giấy nhám (7) trên một mặt của đế chà (6), sau đó cố định giấy nhám lên đế chà và ấn chặt xuống.

Để gỡ giấy nhám (7) hãy cầm vào đầu nhọn và kéo ra khỏi đế chà (6).

Đĩa chà nhám không có khóa dán (xem Hình ảnh B–D)

① Nhả cả hai giá kẹp (5) ra khỏi khóa giữ và xoay xuống dưới.

② Dẫn giấy nhám (7) bên dưới dải kẹp sau (4) vào. Chú ý, giấy nhám (7) không được ngăn và được kẹp chính xác. Xoay giá kẹp (5) trở lại vị trí ban đầu và khóa nó tại đó.

③ Đặt giấy chà nhám lên đế chà sao cho thật căng (6). Kẹp phần trên của giấy nhám bên dưới dải kẹp trước (8) thật chặt. Chú ý, giấy nhám (7) không được ngăn và được kẹp chính xác. Xoay giá kẹp (5) trở lại vị trí ban đầu và khóa nó tại đó.

Để tháo giấy nhám (7) bạn hãy nhả cả hai giá kẹp (5) và lấy đĩa chà nhám ra khỏi giá đỡ.

Bạn có thể đục lỗ cho các loại giấy nhám không có lỗ, ví dụ như loại tấm hoặc cuộn bằng dụng cụ đục lỗ (10) để hút bụi. Ấn dụng cụ điện đã lắp giấy nhám vào dụng cụ đục lỗ (xem Hình E).

Chọn Loại đĩa chà nhám

Tùy theo loại vật liệu được gia công và yêu cầu về khả năng chà bề mặt, có thể mua ngoài thị trường nhiều loại giấy nhám khác nhau:

		Kích Cỡ Hạt	
red:Wood		40–240	
Để gia công tất cả các loại vật liệu gỗ			
Để mài sơ bộ, ví dụ mài các thanh và tấm ván thô	thô	40, 60	
Để mài bề mặt và làm phẳng những chỗ gỗ gồ ghề nhỏ	Trung bình	80, 100, 120	
Chà hoàn thiện và chà tinh các loại gỗ cứng	tinh	180, 240	
white:Paint		40 – 320	
Để thao tác với sơn/lớp men hay sơn lót và chất trám			
Chà cho bong tróc sơn	thô	40, 60	
Chà sơn lót	Trung bình	80, 100, 120	
Chà hoàn thiện sơn lót trước khi sơn phủ	tinh	180, 240, 320	

Thay đế chà (xem Hình F)

Có thể thay đế chà (6) nếu cần.

Tháo hẳn 4 vít (11) và nhấc đế chà ra (6). Đặt đế chà mới (6) vào và xiết chặt các vít lại.

Vận Hành

Bắt Đầu Vận Hành

- **Tuân thủ theo đúng điện thế!** Điện thế nguồn phải đúng với điện thế đã ghi rõ trên nhãn máy.

Bật Mở và Tắt

- **Hãy đảm bảo rằng, bạn có thể nhấn Công tắc bật/tắt, mà không cần nhả tay nắm.**

Để **bật** dụng cụ điện hãy đẩy công tắc bật/tắt (2) ra trước vào vị trí „I“.

Để **tắt** dụng cụ điện hãy đẩy công tắc bật/tắt (2) ra sau vào vị trí „0“.

Chọn Trước Tốc Độ Của Hành Trình Xoay Tròn

Với núm vặn khóa dùng chọn trước tần suất xoay tròn (1) bạn có thể chọn trước tốc độ của hành trình xoay tròn cần thiết trong khi vận hành.

Tốc độ của hành trình xoay tròn theo yêu cầu tùy thuộc vào loại vật liệu và điều kiện gia công và có thể xác định được thông qua thực tế thử nghiệm.

Hướng Dẫn Sử Dụng

- **Trước khi tiến hành bất cứ việc gì trên máy, kéo phích cắm điện nguồn ra.**
- **Luôn luôn đợi cho máy hoàn toàn ngừng hẳn trước khi đặt xuống.**

Năng suất làm bong tróc trong khi chà nhám chủ yếu được quyết định là từ sự lựa chọn loại tấm mài cũng như bằng tốc độ của hành trình xoay tròn được chọn trước (1).

Chỉ có giấy nhám không bị hư hỏng mới cho năng suất chà nhám tốt và kéo dài tuổi thọ của máy.

Hãy lưu ý việc đặt lực áp lên máy để chà phải đồng đều; điều này làm tăng độ bền của giấy nhám.

Tạo lực đè thật mạnh lên máy để chà không làm tăng năng suất chà, nhưng lại làm tăng sự hao mòn của dụng cụ điện và hỏng tấm mài sớm.

Giấy nhám đã được dùng để chà kim loại không nên sử dụng để chà các loại vật liệu khác.

Chỉ nên sử dụng các phụ kiện chà nhám chính hãng **Bosch**.

Bảo Dưỡng và Bảo Quản

Bảo Dưỡng Và Làm Sạch

- **Trước khi tiến hành bất cứ việc gì trên máy, kéo phích cắm điện nguồn ra.**
- **Để được an toàn và máy hoạt động đúng chức năng, luôn luôn giữ máy và các khe thông gió được sạch.**

Nếu như cần phải thay dây dẫn điện thì công việc này phải do hãng **Bosch**, hay một đại lý được **Bosch** ủy nhiệm thực hiện để tránh gặp sự nguy hiểm do mất an toàn.

Dịch vụ hỗ trợ khách hàng và tư vấn sử dụng

Bộ phận phục vụ hàng sau khi bán của chúng tôi trả lời các câu hỏi liên quan đến việc bảo dưỡng và sửa chữa các sản phẩm cũng như phụ tùng thay thế của bạn. Sơ đồ mô tả và thông tin về phụ tùng thay thế cũng có thể tra cứu theo dưới đây:

www.bosch-pt.com

Đội ngũ tư vấn sử dụng của Bosch sẽ giúp bạn giải đáp các thắc mắc về sản phẩm và phụ kiện.

Trong tất cả các phản hồi và đơn đặt phụ tùng, xin vui lòng luôn luôn nhập số hàng hóa 10 chữ số theo nhãn của hàng hóa.

Việt Nam

CN CÔNG TY TNHH BOSCH VIỆT NAM TẠI TP.HCM

Tầng 14, Ngôi Nhà Đức, 33 Lê Duẩn

Phường Bến Nghé, Quận 1, Thành Phố Hồ Chí Minh

Tel.: (028) 6258 3690

Fax: (028) 6258 3692 - 6258 3694

Hotline: 1900 9988 50

Email: tuvankhachhang-pt@vn.bosch.com

www.bosch-pt.com.vn

Xem thêm địa chỉ dịch vụ tại:

www.bosch-pt.com/serviceaddresses

Sự thải bỏ

Máy, linh kiện và bao bì phải được phân loại để tái chế theo hướng thân thiện với môi trường.



Không được thải bỏ dụng cụ điện vào chung với rác sinh hoạt!

مخصص للاستعمال الخارجي من خطر الصدمات الكهربائية.

إن لم يكن بالإمكان تجنب تشغيل العدة الكهربائية في الأجواء الرطبة، فاستخدم مفتاح للوقاية من التيار المتخلف. إن استخدام مفتاح للوقاية من التيار المتخلف يقلل خطر الصدمات الكهربائية.

أمان الأشخاص

كن يقظا وانتبه إلى ما تفعله واستخدم العدة الكهربائية بتعقل. لا تستخدم عدة كهربائية عندما تكون متعبا أو عندما تكون تحت تأثير المخدرات أو الكحول أو الأدوية. عدم الانتباه للحظة واحدة عند استخدام العدة الكهربائية قد يؤدي إلى إصابات خطيرة.

قم لارتداء تجهيزات الحماية الشخصية. وارتد دائما نظارات واقية. يحد ارتداء تجهيزات الحماية الشخصية، كقناع الوقاية من الغبار وأحذية الأمان الواقية من الانزلاق والوذ أو واقية الأذنين، حسب ظروف استعمال العدة الكهربائية، من خطر الإصابة بجروح.

تجنب التشغيل بشكل غير مقصود. تأكد من كون العدة الكهربائية مطفأة قبل توصيلها بالتيار الكهربائي و/أو بالمركم، وقبل رفعها أو حملها. إن كنت تضع إصبعك على المفتاح أثناء حمل العدة الكهربائية أو إن وصلت الجهاز بالشبكة الكهربائية بينما لا مفتاح على وضع التشغيل، قد يؤدي إلى وقوع الحوادث.

انزع أداة الضبط أو مفتاح الربط قبل تشغيل العدة الكهربائية. قد تؤدي الأداة أو المفتاح المتواجد في جزء دوار من الجهاز إلى الإصابة بجروح.

تجنب أوضاع الجسم غير الطبيعية. قف بأمان وحافظ على توازنك دائما. سيسمح لك ذلك بالتمكّن في الجهاز بشكل أفضل في الموافف الغير متوقعة.

قم بارتداء ثياب مناسبة. لا ترتد الثياب الفضفاضة أو الحلى. احرص على إبقاء الشعر والملابس بعيدا عن الأجزاء المتحركة. قد تشابك الثياب الفضفاضة والحلى والشعر الطويل بالأجزاء المتحركة.

إن جاز تركيب تجهيزات شفت وتجميع الغبار، فتأكد من أنها موصولة وبأنه يتم استخدامها بشكل سليم. قد يقلل استخدام تجهيزات لشفت الغبار من المخاطر الناتجة عن الغبار.

لا تستخدم العدة الكهربائية بلا مبالاة وتتجاهل قواعد الأمان الخاصة بها نتيجة لتعودك على استخدام العدة الكهربائية وكثرة استخدامها. فقد يتسبب الاستخدام دون حرص في حدوث إصابة بالغة تحدث في أجزاء من الثانية.

حسن معاملة واستخدام العدد الكهربائية

لا تفرط بتحميل الجهاز. استخدم لتنفيذ أشغالك العدة الكهربائية المخصصة لذلك. إنك تعمل بشكل أفضل وأكثر أمنا بواسطة العدة الكهربائية الملائمة في مجال الأداء المذكور.

لا تستخدم العدة الكهربائية إن كان مفتاح تشغيلها تالف. العدة الكهربائية التي لم يعد من

عربي

إرشادات الأمان

الإرشادات العامة للأمان بالعدد الكهربائية

تحذير

اطلع على كافة تحذيرات الأمان والتعليمات والصور والمواصفات المرفقة بالعدة الكهربائية. عدم اتباع التعليمات الواردة أدناه قد يؤدي إلى حدوث صدمة كهربائية، إلى نشوب حريق و/أو الإصابة بجروح خطيرة.

احتفظ بجميع الملاحظات التحذيرية والتعليمات للمستقبل.

يقصد بمصطلح «العدة الكهربائية» المستخدم في الملاحظات التحذيرية، العدد الكهربائي الموصولة بالشبكة الكهربائية (بواسطة كابل الشبكة الكهربائية) وأيضاً العدد الكهربائي المزودة بمركم (دون كابل الشبكة الكهربائية).

الأمان بمكان الشغل

حافظ على نظافة مكان شغلك وإضاءته بشكل جيد. الفوضى في مكان الشغل ونطاقات العمل غير المضاة قد تؤدي إلى وقوع الحوادث.

لا تشتغل بالعدة الكهربائية في نطاق معرض لخطر الانفجار مثل الأماكن التي تتوفر فيه السوائل أو الغازات أو الأبخرة القابلة للاشتعال. العدد الكهربائي تولد شررا قد يتطاير، فيشعل الأبخرة والأبخرة.

حافظ على بقاء الأطفال وغيرهم من الأشخاص بعيدا عندما تستعمل العدة الكهربائية. تشتيت الانتباه قد يتسبب في فقدان السيطرة على الجهاز.

الأمان الكهربائي

يجب أن يتلائم قابس العدة الكهربائية مع المقبس. لا يجوز تغيير القابس بأي حال من الأحوال. لا تستعمل القوايس المهينة مع العدد الكهربائية المؤرّضة (ذات طرف أرضي). تخفّض القوايس التي لم يتم تغييرها والمقابس الملائمة من خطر الصدمات الكهربائية.

تجنب ملامسة جسمك للأسطح المؤرّضة كالأنابيب والمبردات والمواقد أو التلّاجات. يزداد خطر الصدمات الكهربائية عندما يكون جسمك مؤرّض أو موصول بالأرضي.

أبعد العدة الكهربائية عن الأمطار أو الرطوبة. يزداد خطر الصدمات الكهربائية إن تسرب الماء إلى داخل العدة الكهربائية.

لا تسيّ استعمال الكابل. لا تستخدم الكابل في حمل العدة الكهربائية أو سحبها أو سحب القابس من المقبس. احرص على إبعاد الكابل عن الحرارة والزيت والحواف الحادة أو الأجزاء المتحركة. تزيد الكابلات التالفة أو المتشابكة من خطر الصدمات الكهربائية.

عند استخدام العدة الكهربائية خارج المنزل اقتصر على استخدام كابلات التمديد الصالحة للاستعمال الخارجي. يقلل استعمال كابل تمديد

الورقية (أو في الفلتر أو في فلتر المكنتسة) من جراء الاستخدام غير المناسب، مثل تطاير الشرر أثناء تجليخ المعادن. قد يتولد خطر بالغ عندما يكون غبار التجليخ ممزوجاً ببقايا طلاء أو بولي يوريثان أو مواد كيميائية أخرى وكذلك عندما تكون القطعة التي يجري عليها العمل ساخنة بعد فترة عمل طويلة.

◀ **قم بتنظيف فتحات التهوية بالعدة الكهربائية بشكل دوري.** إن منفاخ المحرك يسحب الغبار إلى داخل الهيكل، وتراكم الأغبرة المعدنية الشديد قد يشكل المخاطر الكهربائية.

◀ **احرص على تأمين قطعة الشغل.** قطعة الشغل المثبتة بواسطة تجهيزه شد أو بواسطة الملزمة مثبتة بأمان أكبر مما لو تم الإمساك بها بواسطة يدك.

◀ **انتظر إلى أن تتوقف العدة الكهربائية عن الحركة قبل أن تضعها جانباً.**

وصف المنتج والأداء

اقرأ جميع إرشادات الأمان والتعليمات. ارتكاب الأخطاء عند تطبيق إرشادات الأمان والتعليمات، قد يؤدي إلى حدوث صدمات كهربائية أو إلى نشوب الحرائق و/أو الإصابة بجروح خطيرة.



يرجى الرجوع إلى الصور الموجودة في الجزء الأول من دليل التشغيل.

الاستعمال المخصص

العدة الكهربائية مخصصة للتجليخ الجاف للخشب والدلائن والمعدن وبطانات التكسية وكذلك الأسطح المطلية.

الأجزاء المصورة

يشير ترقيم الأجزاء المصورة إلى الصورة المعروضة للعدة الكهربائية في صفحة الرسوم.

(1) طارة ضبط الاختيار المسبق لعدد التآرجح (GSS 20-18 A)

(2) مفتاح التشغيل والإطفاء

(3) كيس الغبار (GSS 20-18 A)

(4) عارضة القمط الخلفية

(5) مشبك قمط (2x)

(6) صفحة الجليخ

(7) قرص التجليخ

(8) عارضة القمط الأمامية

(9) مقبض (سطح قبض معزول)

(10) عدة تثقيب^a

(11) لوالب صفحة التجليخ

(12) حطوم الشفط^a

(13) وصلة النفخ (GSS 20-18 A)

a إن هذه التوابع ليست محتواة ضمن إطار التوريد الاعتيادي.

الممكن التحكم بها عن طريق مفتاح التشغيل والإطفاء تعتبر خطيرة ويجب أن يتم إصلاحها.

◀ **اسحب القابس من المقبس و/أو اخلع المركب، إذا كان قابلاً للخلع، قبل ضبط الجهاز وقبل استبدال الملحقات أو قبل تخزين الجهاز.** تمنع هذه الإجراءات وقائية تشغيل العدة الكهربائية بشكل غير مقصود.

◀ **احتفظ بالعدد الكهربائية التي لا يتم استخدامها بعيداً عن متناول الأطفال.** لا تسمح باستخدام العدة الكهربائية لمن لا خبرة له بها أو لمن لم يقرأ تلك التعليمات. العدد الكهربائي خطيرة إن تم استخدامها من قبل أشخاص دون خبرة.

◀ **اعتن بالعدة الكهربائية والملحقات بشكل جيد.** تأكد أن أجزاء الجهاز المتحركة مركبة بشكل سليم وغير مستعصية عن الحركة، وتفحص ما إن كانت هناك أجزاء مكسورة أو في حالة تؤثر على سلامة أداء العدة الكهربائية. ينبغي إصلاح هذه الأجزاء التالفة قبل إعادة تشغيل الجهاز. الكثير من الحوادث مصدرها العدد الكهربائي التي تتم صيانتها بشكل رديء.

◀ **احرص على إبقاء عدد القطع نظيفة وحادة.** إن عدد القطع ذات حواف القطع المادة التي تم صيانتها بعناية تتكلم بشكل أقل ويمكن توجيهها بشكل أيسر.

◀ **استخدم العدد الكهربائي والتوابع وريش الشغل إلخ.** وفقاً لهذه التعليمات. تراعى أثناء ذلك ظروف الشغل والعمل المراد تنفيذه. استخدام العدد الكهربائي لغبر الأشغال المخصصة لأجلها قد يؤدي إلى حدوث الحلات الخطيرة.

◀ **احرص على إبقاء المقابض وأسطح المسك جافة ونظيفة وخالية من الزيوت والشحوم.** المقابض وأسطح المسك الزلقة لا تتبع التشغيل والتحكم الآمن في العدة في المواقف غير المتوقعة.

الخدمة

◀ **احرص على إصلاح عدتك الكهربائية فقط بواسطة العمال المتخصصين وباستعمال قطع الغيار الأصلية فقط.** يضمن ذلك المحافظة على أمان الجهاز.

إرشادات الأمان الخاصة بالمجلمة

◀ **أمسك العدة الكهربائية جيداً بكلتا اليدين عند العمل، واحرص على أن تكون في وضعية ثابتة.** يتم توجيه العدة الكهربائية بأمان بواسطة اليدين الأثنين.

◀ **استخدم العدة الكهربائية فقط للتجليخ الجاف.** يزداد خطر الصدمات الكهربائية إن تسرب الماء إلى داخل العدة الكهربائية.

◀ **تنبيه لخطر الحريق! تجنب تعرض القطعة التي يتم جليخها والمجلمة للسخونة المفرطة.** قم دائماً بتفريغ وعاء البخار قبل فترات الراحة أثناء العمل. قد يحترق غبار التجليخ الموجود بكيس الغبار، والفلتر الدقيق، وكيس النفايات

البيانات الفنية

GSS 20-18 A	GSS 20-18	جلاخة متأرجحة	
3 601 K70 1..	3 601 K70 1..		رقم الصنف
200	200	واط	قدرة الدخل الاسمية
●	-		ضبط عدد التآرجح مسبقاً
8000-12000	12000	لفة/دقيقة	السرعة بدون حمل
16000-24000	24000	min ⁻¹	عدد التآرجح بدون حمل
2,0	2,0	مم	قطر الدائرة التآرجحية
			مقاسات أقراص التجليخ
186 x 93	-	مم	- تثبيت لاصق
230 x 93	230 x 93	مم	- شد بالقمط
183 x 90	183 x 90	مم	مقاسات صفيحة التجليخ
1,6	1,5	كجم	الوزن ^(A)
II/□	II/□		فئة الحماية

(A) الوزن دون وصلة الكهرباء ودون قابس الكهرباء
تسري البيانات على جهد اسمي [U] يبلغ 230 فلف. قد تختلف تلك البيانات حسب اختلاف الجهد والطرزات الخاصة بكل دولة.
قد تختلف القيم حسب المنتج وظروف الاستخدام والبيئة. المزيد من المعلومات على موقع الإنترنت www.bosch-professional.com/wac.

إرشاد: لضمان شفط الغبار قم بتفريغ كيس الغبار (3) في الوقت المناسب.

أمسك بالعدة الكهربائية عند العمل على الأسطح الرأسية بحيث يشير كيس الغبار (3) إلى أسفل.

الشفط الخارجي (انظر الصورة L)

قم بتثبيت خرطوم الشفط (12) على فوهة الشفط (13).

قم بتوصيل خرطوم الشفط (12) بشفاط الغبار. تجد في نهاية هذا الدليل عرضا عاما للتوصيل بشفاطات الغبار المختلفة.

يجب أن تصل شفاطة الغبار الخوائية للاستعمال مع مادة الشغل المرغوب معالجتها.

استخدم شفاطة غبار خوائية خاصة عند شفط الأعبرة المضرة بالصحة أو المسببة للسرطان أو الشديدة الجفاف.

في ألمانيا يلزم استخدام تجهيزات شفط مختبرة وفقا لقواعد TRGS 553 مع غبار الخشب، ولا يجوز

استخدام تجهيزات الشفط الذاتي في المجال الصناعي. بالنسبة للقامات الأخرى ينبغي أن يستوضع المشغل الصناعي من الرابطة المهنية عن المتطلبات الخاصة بها.

استبدال قرص التجليخ

قبل تركيب قرص التجليخ الجديد، قم بإزالة الاتساخات والغبار من صفيحة التجليخ (6) باستخدام فرشاة مثلا.

احرص على مراعاة تطابق الثقوب الموجودة في قرص التجليخ مع الفتحات بصفيحة التجليخ لضمان الشفط المثالي للغبار.

أقراص التجليخ بالتثبيت اللاصق (انظر الصورة A)

متاح فقط في بعض إصدارات العدة الكهربائية GSS 20-18 A :

صفيحة الجليخ (6) مجهزة بنسيج فيلكرو اللاصق، حيث يمكنك تثبيت أقراص التجليخ بسرعة وبسهولة عن طريق لصقها فيها.

التركيب

← اسحب القابس من مقبس الشبكة الكهربائية قبل إجراء أي عمل على العدة الكهربائية.

شفط الغبار/النشارة

إن غبار بعض المواد كالطلاء الذي يحتوي على الرصاص، وبعض أنواع الخشب والفلزات والمعادن، قد تكون مضرة بالصحة. إن ملامسة أو استنشاق غبار قد يؤدي إلى أعراض حساسية و/أو إلى أمراض الجهاز التنفسي لدى المستخدم أو لدى الأشخاص المتواجدين على مقربة من المكان.

تعتبر بعض الأعبرة المعينة، كأعبرة البلوط والزان، مسببة للسرطان، ولا سيما عند الارتباط بالمواد الإضافية لمعالجة الخشب (ملح جامض الكروميك، المواد الحافظة للخشب). يجوز أن يتم معالجة المواد التي تحتوي على الأسبستوس من قبل العمال المتخصصين فقط دون غيرهم.

- استخدم شفاطة غبار ملائمة للمادة قدر الإمكان.

- حافظ على تهوية مكان الشغل بشكل جيد.

- ينصح بارتداء قناع وقاية للتنفس بفئة المرشح P2. تراعى الأحكام السارية في بلدكم بالنسبة للمواد المرغوب معالجتها.

← تجنب تراكم الغبار بمكان العمل. يجوز أن تشتعل الأعبرة بسهولة.

الشفط الذاتي مع استخدام كيس الغبار (انظر الصور G-K)

لتفريغ كيس الغبار اخلع كيس الغبار الكامل (3) من فوهة النفخ (13).

قم بفك الغطاء من كيس الغبار. قم بتفريغ كيس الغبار وربط الغطاء مرة أخرى.

ضع كيس الغبار بالكامل (3) وحركه على فوهة النفخ (13) إلى أن يصبح على مستوى واحد مع الأداة.

المبيبات

التجليخ النهائي للطلاء الأولي قبل دقيق 180، 240، 320
--

تغيير صفحة التجليخ (انظر الصورة F)

يمكن استبدال صفحة التجليخ (6) عند الضرورة. قم بفك اللوالب الأربعة (11) بشكل كامل، واخلع صفحة التجليخ (6). قم بتركيب صفحة تجليخ جديدة (6) وأحكم ربط اللوالب مرة أخرى.

التشغيل

بدء التشغيل

انتبه إلى جهد الشبكة الكهربائية! يجب أن يتطابق جهد منبع التيار مع البيانات المذكورة على لوحة صنع العدة الكهربائية.

التشغيل والإطفاء

تأكد أنه بإمكانك الضغط على زر التشغيل/الإيقاف دون ترك المقبض اليدوي.

لغرض تشغيل العدة الكهربائية حرك مفتاح التشغيل والإطفاء (2) إلى الأمام على الوضع „1“.

لغرض إطفاء العدة الكهربائية حرك مفتاح التشغيل والإطفاء (2) إلى الخلف على الوضع „0“.

اختيار عدد التآرجح مسبقاً

باستخدام طارة ضبط عدد التآرجح مسبقاً (1) يمكنك اختيار عدد التآرجح اللازم مسبقاً أثناء التشغيل.

يتعلق عدد التآرجح المطلوب بمادة الشغل وبظروف العمل ويمكن استنتاجه من خلال التجربة العملية.

إرشادات العمل

اسحب القابس من مقبس الشبكة الكهربائية قبل إجراء أي عمل على العدة الكهربائية.

انتظر إلى أن تتوقف العدة الكهربائية عن الحركة قبل أن تضعها جانباً.

يتم تحديد قدرة الإزاحة عند التجليخ بشكل كبير من خلال اختيار قرص التجليخ (1).

فقط أوراق الصنفرة السليمة هي التي تؤدي إلى أداء تجليخ جيد وإلى صيانة العدة الكهربائية.

راع المحافظة على ضغط تلامس منتظم لزيادة فترة صلاحية ورق الصنفرة.

إن زيادة ضغط الارتكاز بشكل كبير لا يؤدي إلى زيادة قدرة التجليخ، بل إلى استهلاك أكبر بالعدة الكهربائية وتعطل مبكر لصفحة التجليخ.

لا تستخدم ورقة صنفرة سقي وتم استعمالها لمعالجة المعادن لمعالجة المواد الأخرى بعد ذلك.

اقتصر على استخدام توابع التجليخ الأصلي Bosch.

الصيانة والخدمة

الصيانة والتنظيف

اسحب القابس من مقبس الشبكة الكهربائية قبل إجراء أي عمل على العدة الكهربائية.

اطرق على نسج فلكره اللاصق الخاص بصفحة التجليخ (6) قبل تركيب قرص التجليخ (7) لإتاحة قدرة الالتصاق المثالية.

ضع قرص التجليخ (7) على أحد جانبي صفحة التجليخ (6) بتساطح، ثم ضع قرص التجليخ على صفحة التجليخ وثبته بإحكام.

لنزع قرص التجليخ (7) أمسك بأحد أطرافه، واجذبه من صفحة التجليخ (6).

أقراص التجليخ غير المزودة بتجهيزة لصق (انظر الصور B-D)

1 قم بفك مشبكي القمط (5) من موضع التثبيت، وحركهما إلى أسفل.

2 أدخل قرص التجليخ (7) أسفل عارضة القمط الخلفية (4). احرص على ألا يكون قرص التجليخ (7) أقصر من اللازم، وعلى أن يتم قمطه بثبات. أرجع مشبك القمط (5) إلى وضعه الأصلي وقم بتأمين قفله.

3 قم مد قرص التجليخ بشكل مشدود حول صفحة التجليخ (6). قم بزنق الجزء الأمامي لقرص التجليخ أسفل مشبك القمط الأمامي (8). احرص على ألا يكون قرص التجليخ (7) أقصر من اللازم، وعلى أن يتم قمطه بثبات. أرجع مشبك القمط (5) إلى وضعه الأصلي وقم بتأمين قفله.

4 خلع قرص التجليخ (7) قم بفك مشبكي القمط (5) واخلع قرص التجليخ من الحامل.

يمكنك ثقب أقراص التجليخ غير المثقوبة، مثل المتوفرة بالبكرة أو بالمتر، لغرض شطف الأتربة وذلك باستخدام عدة الثقيب (10). للقيام بهذا اضغط العدة الكهربائية على عدة الثقيب بينما قرص التجليخ مركب (انظر الصورة E).

اختيار قرص التجليخ

تتوفر أقراص التجليخ مختلفة حسب المادة المرغوب معالجتها وحسب كمية الإزاحة المرغوبة عن سطح المادة:

المبيبات

- 40
240

red:Wood

لمعالجة شتى أنواع المواد الخشبية

للتجليخ الأولي في العوارض والألواح الخشبية الخشنة وغير المصقولة على سبيل المثال

للتجليخ السطحي وتسوية مواضع متوس 100، 80، عدم الاستواء الصغيرة 120

لإنهاء وتنعيم تجليخ الأخشاب الدقيقة 180، الصفحة 240

- 40
320

white:Paint

لمعالجة طبقات الطلاء والورنيش أو الطلاء الأولي كالمعجون والمشوة

لإزالة الطلاء بالتجليخ

تجليخ الطلاء الأولي متوس 100، 80، طة 120

◀ حافظ على نظافة العدة الكهربائية وشقوق التهوية لكي تعمل بشكل جيد وآمن.

إذا تطلب الأمر استبدال خط الإمداد، فينبغي أن يتم ذلك من قبل شركة Bosch أو من قبل مركز خدمة الزبائن المعتمد لشركة Bosch للعدد الكهربائية، لتجنب التعرض للمخاطر.

خدمة العملاء واستشارات الاستخدام

يجيب مركز خدمة الزبائن على أسئلتكم بصدد تصليح وصيانة المنتج وأيضاً بما يخص قطع الغيار. ستجد الرسوم الممددة والمعلومات عن قطع الغيار بموقع: www.bosch-pt.com يسر فريق استشارات الاستخدام لدى شركة بوش أن يقدم لك العون إذا كان لديك أية استفسارات بخصوص منتجاتنا وملحقاتها التكميلية. يلزم ذكر رقم الصنف ذو الخانات العشر وفقاً للوحة صنع المنتج عند إرسال أية استفسارات أو طلبيات قطع غيار.

المغرب

Robert Bosch Morocco SARL
53، شارع الملازم محمد محروود
20300 الدار البيضاء
الهاتف: +212 5 29 31 43 27
البريد الإلكتروني: sav.outillage@ma.bosch.com

تجد عناوين أخرى للخدمات تحت:

www.bosch-pt.com/serviceaddresses

التخلص من العدة الكهربائية

ينبغي تسليم العدد الكهربائية والتوابع والعبوة إلى مركز معالجة النفايات بطريقة محافظة على البيئة. لا ترم العدد الكهربائية ضمن النفايات المنزلية.



مناسب برای محیط باز، خطر برق گرفتگی را کم می کنند.

◀ در صورت لزوم کار با ابزار برقی در محیط و اماکن مرطوب، باید از یک کلید حفاظتی جریان خطا و نشستی زمین (کلید قطع کننده اتصال با زمین) استفاده کنید. استفاده از کلید حفاظتی جریان خطا و نشستی زمین خطر برق گرفتگی را کاهش می دهد.

رعایت ایمنی اشخاص

◀ حواس خود را خوب جمع کنید، به کار خود دقت کنید و با فکر و هوشیاری کامل با ابزار برقی کار کنید. در صورت خستگی و یا در صورتی که مواد مخدر، الکل و دارو استفاده کرده‌اید، با ابزار برقی کار نکنید. یک لحظه بی توجهی هنگام کار با ابزار برقی، میتواند جراثم های شدیدی به همراه داشته باشد.

◀ از تجهیزات ایمنی شخصی استفاده کنید. همواره از عینک ایمنی استفاده نمایید. استفاده از تجهیزات ایمنی مانند ماسک ضد گرد و غبار، کفشهای ایمنی ضد لغزش، کلاه ایمنی و گوشی محافظ متناسب با نوع کار با ابزار برقی، خطر مجروح شدن را کاهش میدهد.

◀ مواظب باشید که ابزار برقی بطور ناخواسته بکار نیفتد. قبل از وارد کردن دوشاخه دستگاه در پریز برق، اتصال آن به باتری، برداشتن آن و یا حمل دستگاه، باید دقت کنید که ابزار برقی خاموش باشد. در صورتی که هنگام حمل دستگاه انگشت شما روی دکمه قطع و وصل باشد و یا دستگاه را در حالت روشن به برق بزنید، ممکن است سوانح کاری پیش آید.

◀ قبل از روشن کردن ابزار برقی، همه ابزارهای تنظیم کننده و آچارها را از روی دستگاه بردارید. ابزار و آچارهایی که روی بخش های چرخنده دستگاه قرار دارند، میتوانند باعث ایجاد جراثم شوند.

◀ وضعیت بدن شما باید در حالت عادی قرار داشته باشد. برای کار جای مطمئنی برای خود انتخاب کرده و تعادل خود را همواره حفظ کنید. به این ترتیب میتوانید ابزار برقی را در وضعیتهای غیر منظره بهتر تحت کنترل داشته باشید.

◀ لباس مناسب بپوشید. از پوشیدن لباسهای گشاد و حمل زینت آلات خودداری کنید. موها و لباس خود را از بخشهای در حال چرخش دستگاه دور نگه دارید. لباسهای گشاد، موی بلند و زینت آلات ممکن است در قسمتهای در حال چرخش دستگاه گیر کنند.

◀ در صورتی که تجهیزاتی برای اتصال وسائل مکش گرد و غبار و یا وسیله جمع کننده گرد و غبار ارائه شده است، باید مطمئن شوید که این وسائل درست نصب و استفاده می شوند. استفاده از وسائل مکش گرد و غبار مصونیت شما را در برابر گرد و غبار زیادتیر میکند.

◀ آشنایی با ابزار به دلیل کار کردن زیاد با آن نباید باعث سهل انگاری شما و نادیده گرفتن اصول ایمنی شود. بی دقتی ممکن است باعث بروز جراثماتی در عرض کسری از ثانیه شود.

فارسی

دستورات ایمنی

نکات ایمنی عمومی برای ابزارهای برقی

⚠ هشدار کلیه هشدارها، دستورالعملها، تصاویر و مشخصات ارائه شده به همراه ابزار برقی را مطالعه کنید. اشتباهات ناشی از عدم رعایت این دستورات ایمنی ممکن است باعث برق گرفتگی، سوختگی و یا سایر جراثم های شدید شود. کلیه هشدارهای ایمنی و راهنماییها را برای آینده خوب نگهداری کنید.

عبارت «ابزار برقی» در هشدارها به ابزارهایی که به پریز برق متصل میشوند (با سیم برق) و یا ابزارهای برقی باتری دار (بدون سیم برق) اشاره دارد.

ایمنی محل کار

◀ محیط کار را تمیز و روشن نگه دارید. محیطهای در هم ریخته یا تاریک احتمال بروز حادثه را افزایش میدهند.

◀ ابزار برقی را در محیطهایی که خطر انفجار وجود دارد و حاوی مایعات، گازها و بخارهای متحرکه هستند، به کار نگیرید. ابزارهای برقی چرخههایی ایجاد میکنند که میتوانند باعث آتش گرفتن گرد و غبارهای موجود در هوا شوند.

◀ هنگام کار با ابزار برقی، کودکان و سایر افراد را از دستگاه دور نگه دارید. در صورتیکه حواس شما پرت شود، ممکن است کنترل دستگاه از دست شما خارج شود.

ایمنی الکتریکی

◀ دوشاخه ابزار برقی باید با پریز برق تناسب داشته باشد. هیچگونه تغییری در دوشاخه ایجاد نکنید. مبدل دوشاخه نباید همراه با ابزار برقی دارای اتصال زمین استفاده شود. دوشاخههای اصل و تغییر داده نشده و پریزهای مناسب، خطر برق گرفتگی را کاهش میدهند.

◀ از تماس بدنی با قطعات متصل به سیم اتصال زمین مانند لوله، شوفاژ، اجاق برقی و یخچال خودداری کنید. در صورت تماس بدنی با سطوح و قطعات دارای اتصال به زمین و همچنین تماس شما با زمین، خطر برق گرفتگی افزایش می یابد.

◀ ابزارهای برقی را در معرض باران و رطوبت قرار ندهید. نفوذ آب به ابزار برقی، خطر شوک الکتریکی را افزایش میدهد.

◀ از سیم دستگاه برای مقاصد دیگر استفاده نکنید. هرگز برای حمل ابزار برقی، کشیدن آن یا خارج کردن دوشاخه از سیم دستگاه استفاده نکنید. کابل دستگاه را از حرارت، روغن، لیبهای تیز یا قطعات متحرک دور نگه دارید. کابلهای آسیب دیده و یا گره خورده خطر شوک الکتریکی را افزایش میدهند.

◀ هنگام استفاده از ابزار برقی در محیطهای باز، تنها از کابل رابطی استفاده کنید که برای محیط باز نیز مناسب باشد. کابل های رابط

⚠ **احتیاط: خطر آتشسوزی! از داغ شدن بیش از اندازه قطعه‌کار و دستگاه ساب جلوگیری کنید.** قبل از انجام استراحت کاری، محافظه گرد و غبار را خالی کنید. گرد و غبار ناشی از سایش در محافظه گرد و غبار، فیلتر ظریف، کیسه کاغذی (یا در کیسه فیلتر یا کیسه مکنده) ممکن است در شرایط نامناسبی مانند پرش جرقه هنگام سابزدن فلزات، خودبه‌خود آتش بگیرند. بخصوص وقتی که گرد و غبار ناشی از سایش، دارای رنگ، بقایای پلیاتان یا سایر مواد شیمیایی و قطعه کار پس از کار طولانی داغ شده باشد، خطرناک است.

⚠ **شیارهای تهویه ابزار برقی خود را مرتب تمیز کنید.** گرد و غباری که از طریق پروانه موتور به داخل محافظه وارد شود و یا تجمع زیاد براده فلز در آن ممکن است سوانع و خطرات الکتریکی را منجر گردد.

⚠ **قطعه کار را محکم کنید.** در صورتیکه قطعه کار به وسیله تجهیزات نگهدارنده و یا بوسیله گیره محکم شده باشد، قطعه کار مطمئن تر نگه داشته میشود، تا اینکه بوسیله دست نگهداشته شود.

⚠ **قبل از کنار گذاشتن ابزار برقی صبر کنید تا دستگاه بطور کامل از کار و حرکت بایستد.**

توضیحات محصول و کارکرد

همه دستورات ایمنی و راهنماها را بخوانید. اشتباهات ناشی از عدم رعایت این دستورات ایمنی ممکن است باعث برفرفرتگی، سوختگی و یا سایر جراثم های شدید شود.



به تصویرهای واقع در بخشهای اول دفترچه راهنما توجه کنید.

موارد استفاده از دستگاه

ابزار برقی برای سایشکاری روی چوب، پلاستیک، فلز، بتونه و نیز سطوح رنگکاری شده در نظر گرفته شده است.

اجزاء دستگاه

شماره گذاری تصاویر اجزاء دستگاه بر اساس شکل ابزار برقی در صفحه تصاویر است.

- (1) چرخک تنظیم انتخاب سرعت (GSS 20-18 A)
- (2) کلید روشن/خاموش
- (3) کیسه جمع آوری تراشه و گرد و غبار (GSS 20-18 A)
- (4) گیره نگهدارنده عقبی
- (5) گیره (2 عدد)
- (6) صفحه سنباده
- (7) کاغذ سنباده
- (8) گیره نگهدارنده جلویی
- (9) دسته (دارای روکش عایق)
- (10) ابزار سوراخ کننده (پانچ)^(a)
- (11) پیچ های صفحه سنباده
- (12) شیلنگ مکش^(a)

استفاده صحیح از ابزار برقی و مراقبت از آن از وارد کردن فشار زیاد روی دستگاه

خودداری کنید. برای هر کاری، از ابزار برقی مناسب با آن استفاده کنید. بکار گرفتن ابزار برقی مناسب باعث میشود که بتوانید از توان دستگاه بهتر و با اطمینان بیشتر استفاده کنید.

⚠ **در صورت ایراد در کلید قطع و وصل ابزار برقی، از دستگاه استفاده نکنید.** ابزار برقی که نمی توان آنها را قطع و وصل کرد، خطرناک بوده و باید تعمیر شوند.

⚠ **قبل از تنظیم ابزار برقی، تعویض متعلقات و یا کنار گذاشتن آن، دوشاخه را از برق بکشید و یا باتری آنرا خارج کنید.** رعایت این اقدامات پیشگیری ایمنی از راه افتادن ناخواسته ابزار برقی جلوگیری می کند.

⚠ **ابزار برقی را در صورت عدم استفاده، از دسترس کودکان دور نگه دارید و اجازه ندهید که افراد ناوارد و یا اشخاصی که این دفترچه راهنما را نخوانده‌اند، با این دستگاه کار کنند.** قرار گرفتن ابزار برقی در دست افراد ناوارد و بی تجربه خطرناک است.

⚠ **از ابزار برقی و متعلقات خوب مراقبت کنید.** مواظب باشید که قسمت های متحرک

دستگاه خوب کار کرده و گیر نکنند. همچنین دقت کنید که قطعات ابزار برقی شکسته و یا آسیب دیده نباشند. قطعات آسیب دیده را قبل از شروع به کار تعمیر کنید. علت بسیاری از سوانع کاری، عدم مراقبت کامل از ابزارهای برقی می باشد.

⚠ **ابزار برش را تیز و تمیز نگه دارید.** ابزار برشی که خوب مراقبت شده و از لبه های تیز برخوردار است، کمتر در قطعه کار گیر کرده و بهتر قابل هدایت است.

⚠ **ابزار برقی، متعلقات، متهای دستگاه و غیره را مطابق دستورات این جزوه راهنما به کار گیرید و به شرایط کاری و نوع کار نیز توجه داشته باشید.** استفاده از ابزار برقی برای عملیاتی به جز مقاصد در نظر گرفته شده، میتواند به بروز شرایط خطرناک منجر شود.

⚠ **دستها و سطوح عایق را همواره خشک، تمیز و عاری از روغن و گریس نگه دارید.** دسته های لغزنده مانع ایمنی و کنترل در کار در شرایط غیر منتظره هستند.

سرویس

⚠ **برای تعمیر ابزار برقی فقط به متخصصین حرفهای رجوع کنید و از قطعات یدکی اصل استفاده نمایید.** این باعث خواهد شد که ایمنی دستگاه شما تضمین گردد.

دستورات ایمنی برای دستگاه ساب

⚠ **ابزار برقی را هنگام کار با دو دست محکم بگیرید و وضعیت خود را ثابت و مطمئن کنید.** ابزار برقی با دو دست مطمئن تر هدایت می شود.

⚠ **از ابزار برقی تنها برای ساب خشک استفاده کنید.** نفوذ آب به ابزار الکتریکی، خطر شوک الکتریکی را افزایش میدهد.

(13) محافظ خروجی هوا (GSS 20-18 A)

(a) این قسمت از متعلقات، بطور معمول همراه دستگاه ارائه نمی شود.

مشخصات فنی

GSS 20-18 A	GSS 20-18	سنباده تخت لرزان	شماره فنی
3 601 K70 1..	3 601 K70 1..		توان ورودی نامی
200	200	W	انتخاب تعداد ضربه
●	-		سرعت در حالت آزاد
8000-12000	12000	min ⁻¹	سرعت لرزش در حالت آزاد
16000-24000	24000	min ⁻¹	قطر میدان لرزش
2,0	2,0	mm	ابعاد کاغذ سنباده
			- چسبندگی
93 x 186	-	mm	- مهار کنندگی
93 x 230	93 x 230	mm	ابعاد صفحه سنباده
90 x 183	90 x 183	mm	وزن ^(A)
1,6	1,5	kg	کلاس ایمنی
II/□	II/□		

(A) وزن بدون کابل اتصال برق و بدون دوشاخه برق
مقادیر برای ولتاژ نامی [U] 230 ولت میباشند. برای ولتاژهای مختلف و تولیدات مخصوص کشورها، ممکن است این مقادیر متفاوت باشند.
مقادیر ممکن است بسته به محصول متفاوت باشند و بستگی به شرایط استفاده و محیطی دارند. اطلاعات بیشتر را در سایت www.bosch-professional.com/wac مشاهده نمایید.

نصب

◀ پیش از انجام هرگونه کاری بر روی ابزار الکتریکی، دوشاخه اتصال آنرا از داخل پریز برق بیرون بکشید.

مکش گرد، براده و تراشه

گرد و غبار موادی مانند رنگ های دارای سرب، بعضی از چوب ها، مواد معدنی و فلزات میتوانند برای سلامتی مضر باشند. دست زدن و یا تنفس کردن گرد و غبار ممکن است باعث بروز آلرژی و یا بیماری مجاری تنفسی شخص استفاده کننده و یا افرادی که در آن نزدیکی میباشند، بشود.
گرد و غبارهای مخصوص مانند گرد و غبار درخت بلوط و یا درخت راش سرطان زا هستند، بخصوص ترکیب آنها با سایر موادی که برای کار بر روی چوب (کرومات، مواد برای محافظت از چوب) بکار برده میشوند. فقط افراد متخصص مجازند با موادی که دارای آزیست میباشند کار کنند.

- حتی الامکان از یک دستگاه مکش مناسب و درخور ماده (قطعه کار) استفاده کنید.

- توجه داشته باشید که محل کار شما از تهویه هوای کافی برخوردار باشد.

- توصیه میشود از ماسک تنفسی ایمنی با درجه فیلتر P2 استفاده کنید.

به قوانین و مقررات معتبر در کشور خود در رابطه با استفاده از مواد و قطعات کاری توجه کنید.

◀ از تجمع گرد و غبار در محل کار جلوگیری کنید. گرد و غبار می توانند به آسانی مشتعل شوند.

مکش سر خود با کیسه جمع آوری تراشه و گرد و غبار (رجوع کنید به تصاویر G-K)

جهت خالی کردن کیسه جمع آوری تراشه و گرد و غبار، کیسه را به طور کامل (3) از روی محافظ خروجی هوا (13) بردارید.

درپوش را از کیسه جمع آوری تراشه و گرد و غبار باز کنید. کیسه جمع آوری تراشه و گرد و غبار را تخلیه کرده و دوباره درپوش را ببندید.

کیسه جمع آوری تراشه و گرد و غبار (3) را به طور کامل روی محافظ خروجی هوا (13) قرار داده و بکشید تا به طور دقیق به ابزار بسته شود.

نکته: جهت تضمین مکش بهینه گرد و غبار، کیسه جمع آوری تراشه و گرد و غبار (3) را به موقع خالی کنید.

ابزار برقی را هنگام کار در سطوح عمودی، طوری نگه دارید که کیسه جمع آوری تراشه و گرد و غبار (3) به سمت پایین باشد.

مکش خارجی (رجوع کنید به تصویر L)

شلنگ مکش (12) را روی لوله مکش (13) قرار دهید.

شلنگ مکش (12) را به یک مکنده متصل کنید. تشریح نحوه اتصال مکنده های مختلف را در انتهای این دفترچه راهنما می یابید.

دستگاه مکنده باید برای قطعه کار مورد نظر مناسب باشد.

برای مکش گرد و غباری که برای سلامتی مضرند و سرطان زا هستند و یا برای مکش تراشه های خشک باید از یک دستگاه مکنده مخصوص استفاده کنید.

در کشور آلمان به دلیل اتصالات آزمایش شده مکنده بر اساس TRGS 553، ناپیستی مکش خود در محیط صنعتی انجام گردد. برای سایر موارد ناپیستی

ضخامت	
تقریبی 40, 60	برای سایش اولیه، مانند تیر و تخت‌های رنده نشده
متوس 80, 100, 120	برای سایشکاری کلی و صاف کردن ناهمواریهای کوچک
دقیق 180, 240	برای سنباده زدن نهائی و ظریف چوب های سخت
40 - 320	white:Paint
برای کار روی سطح های دارای رنگ و لاک و یا سایش زیرکاری مانند مواد پرکننده و سطوح ملات و بتونه کاری شده	
تقریبی 40, 60	برای سنباده کاری رنگ
متوس 80, 100, 120	برای سنباده کاری رنگ اولیه (ته رنگ)
دقیق 180, 240, 320	برای سنباده کاری نهائی زیر کار قبل از رنگ زدن نهائی

تعویض صفحه سنباده (رجوع کنید به تصویر F)

صفحه سنباده (6) را می توان در صورت نیاز تعویض کرد.

هر 4 پیچ (11) را کامل بیرون بکشید و صفحه سنباده (6) را بردارید. صفحه سنباده جدید (6) را قرار دهید و پیچها را دوباره سفت کنید.

طرز کار با دستگاه

راه اندازی و نحوه کاربرد دستگاه

◀ به ولتاژ برق شبکه توجه کنید! ولتاژ منبع جریان برق باید با مقادیر موجود بر روی برچسب ابزار الکتریکی مطابقت داشته باشد.

روشن/خاموش کردن

◀ از فعال کردن کلید قطع و وصل بدون رها کردن دسته مطمئن شوید.

برای روشن کردن ابزار برقی، کلید روشن/خاموش (2) را به جلو در موقعیت "I" برانید.

برای خاموش کردن ابزار برقی، کلید روشن/خاموش (2) را به عقب در موقعیت "0" برانید.

نحوه انتخاب تعداد ضربه دورانی

با چرخک انتخاب تعداد ضربه (1) می توان تعدا ضربه لازم را حتی هنگام کار انتخاب کرد.

میزان و تعداد نوسان مورد نیاز بستگی به جنس قطعه کار و شرایط کاری دارد و نوسان لازم را میتوان از طریق آزمایش و کار عملی بدست آورد.

راهنامه‌های عملی

◀ پیش از انجام هرگونه کاری بر روی ابزار الکتریکی، دو شاخه اتصال آنرا از داخل پریز برق بیرون بکشید.

مسئول شرکت صنعتی، باید‌های مربوط را با صنف خود در میان بگذارد.

تعویض کاغذ سنباده

قبل از قرار دادن یک صفحه ساب جدید، آلودگی و گرد و غبار را از صفحه سنباده (6) توسط سک برس بردارید.

برای انجام مکش بهینه، دقت کنید که شیارهای واقع بر کاغذ سنباده با سوراخهای روی صفحه سنباده مطابق باشند.

کاغذهای سنباده چسبنده (رجوع کنید به تصویر A)

فقط در برخی از نسخه های ابزار برقی GSS 20-18 A در دسترس است:

صفحه سنباده (6) مجهز به یک بافت چسبنده است، که میتوان کاغذ سنباده را سریع و به راحتی متصل کرد.

به بافت چسبنده صفحه سنباده (6) قبل از گذاشتن کاغذ سنباده (7) ضربه بزنید، تا از چسبندگی مطلوب اطمینان حاصل شود.

کاغذ سنباده (7) را روی یک طرف صفحه سنباده (6) هم سطح قرار دهید تا کاغذ سنباده روی صفحه سنباده قرار گیرد و آن را خوب فشار دهید.

برای برداشتن کاغذ سنباده (7) آن را از یک گوشه بگیرید و از صفحه سنباده (6) جدا کنید.

کاغذهای سنباده بدون چسبندگی (رجوع کنید به تصاویر B-D)

1 هر دو گیره (5) را از قفل باز کنید و آنها را به پایین بکشید.

2 صفحه سنباده (7) را زیر گیره ی عقبی (4) برانید. دقت کنید که صفحه سنباده (7) زیاد کوتاه نباشد و درست محکم شود. گیره (5) را به حالت اولیه برگردانید و در همان جا قفل کنید.

3 کاغذ سنباده را کشیده دور صفحه سنباده (6) قرار دهید. قسمت جلویی صفحه سنباده را زیر گیره ی جلویی (8) محکم کنید. دقت کنید که صفحه سنباده (7) زیاد کوتاه نباشد و درست محکم شود. گیره (5) را به حالت اولیه برگردانید و در همان جا قفل کنید.

جهت برداشتن صفحه سنباده (7) هر دو گیره نگهدارنده (5) را باز کنید و کاغذ سنباده را از نگهدارنده بیرون آورید.

صفحه سنباده های بدون سوراخ، مانند سنباده های متری یا نواری را می توان با ابزار سوراخزن (10) سوراخ کرد. بدین منظور ابزار برقی را همراه با صفحه سنباده روی ابزار سوراخ کننده فشار دهید (رجوع کنید به تصویر E).

انتخاب کاغذ سنباده

متناسب با جنس قطعه کار و مقداری که باید از قطعه کار تراشیده شود، کاغذ های سنباده مختلفی عرضه میشود:

ضخامت

40 - 240

red:Wood

جهت کار روی انواع چوب

از رده خارج کردن دستگاه

ابزار برقی، متعلقات و بسته بندی آن، باید طبق مقررات حفظ محیط زیست از رده خارج و بازیافت شوند.

ابزارهای برقی را داخل زباله دان خانگی نیندازید!



◀ قبل از کنار گذاشتن ابزار برقی صبر کنید تا دستگاه بطور کامل از کار و حرکت بایستد.

میزان و توان لایه برداری به هنگام سنباده کاری عمدتاً به انتخاب نوع کاغذ سنباده و تعداد ضربه دورانی (1) از پیش انتخاب شده بستگی دارد. فقط کاغذهای سنباده سالم قدرت سایش را بالا برده و طول عمر ابزار برقی را حفظ می کنند. سعی کنید که همیشه با فشار منظم و متعادل بر روی قطعه کار کنید، تا دوام کاغذ های سنباده افزایش یابند.

افزایش بیش از حد فشار بر روی دستگاه، باعث سایش بهتر نمی شود بلکه باعث استهلاک بیشتر ابزار برقی و خرابی صفحه سنباده میشود.

کاغذ سنباده ای که از آن برای سنباده کاری فلزات استفاده شده است، آنرا برای سنباده کاری قطعات دیگر بکار نبرید.

تنها متعلقات ساب اصلی Bosch را بکار برید.

مراقبت و سرویس

مراقبت، تعمیر و تمیز کردن دستگاه

◀ پیش از انجام هرگونه کاری بر روی ابزار الکتریکی، دوشاخه اتصال آنرا از داخل پریز برق بیرون بکشید.

◀ ابزار برقی و شیارهای تهویه را همواره تمیز نگه دارید تا بتوان بخوبی و با اطمینان کار کرد.

در صورت نیاز به یک کابل یدکی برای اتصال به شبکه برق، بایستی به شرکت Bosch و یا به نمایندگی مجاز Bosch (خدمات پس از فروش) برای ابزار آلات برقی مراجعه کنید تا از بروز خطرات ایمنی جلوگیری بعمل آید.

خدمات و مشاوره با مشتریان

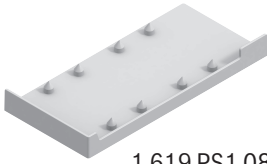
دفتر خدمات پس از فروش به سئوالات شما در باره تعمیرات، سرویس و همچنین قطعات یدکی و متعلقات پاسخ خواهد داد. تصاویر و اطلاعات در باره قطعات یدکی و متعلقات را میتوانید در سایت نامبرده زیر جستجو نمایید: www.bosch-pt.com تیم مشاوره Bosch شما را در مورد سؤالیاتان نسبت به محصولات و متعلقات ما حمایت می کند. برای هرگونه سؤال و یا سفارش ابزار یدکی و متعلقات، حتماً شماره فنی ده رقمی کالا را مطابق برچسب روی ابزار برقی اطلاع دهید.

ایران

روبرت بوش ایران - شرکت بوش تجارت پارس
میدان ونک، خیابان شهید خدای، خیابان آفتاب
ساختمان مادیران، شماره 3، طبقه سوم.
تهران 1994834571
تلفن: 42039000 +9821

سایر اطلاعات مربوط به خدمات را اینجا می یابید:

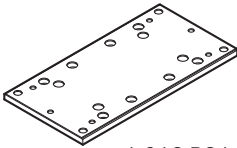
www.bosch-pt.com/serviceaddresses



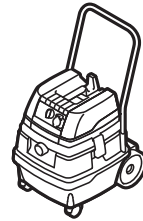
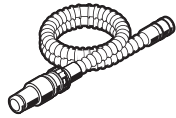
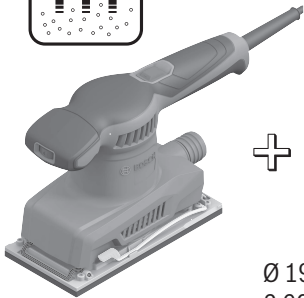
1 619 PS1 082



1 619 PS1 104



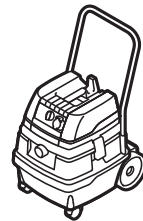
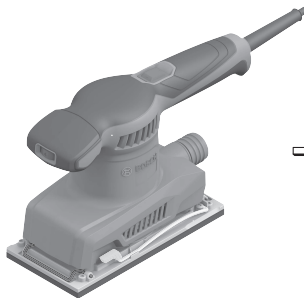
1 619 PS1 081 (GSS 20-18A)
 1 619 PS1 100 (GSS 20-18A)
 1 619 PS1 105 (GSS 20-18)



Ø 19 mm
 2 600 793 009 (3 m)
 1 610 793 002 (5 m)

1 609 200 933

GAS 25
 GAS 50
 GAS 50 M



Ø 19 mm
 2 607 002 161 (3 m)
 2 607 002 162 (5 m)

GAS 25
 GAS 50
 GAS 50 M