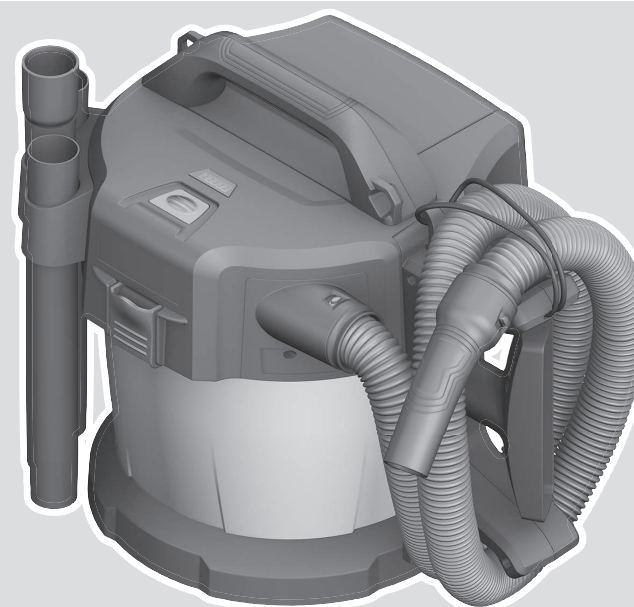




# GAS 18V-10 L Professional HEAVY DUTY



Robert Bosch Power Tools GmbH  
70538 Stuttgart  
GERMANY

[www.bosch-pt.com](http://www.bosch-pt.com)

1 609 92A 9RG (2024.05) T / 86

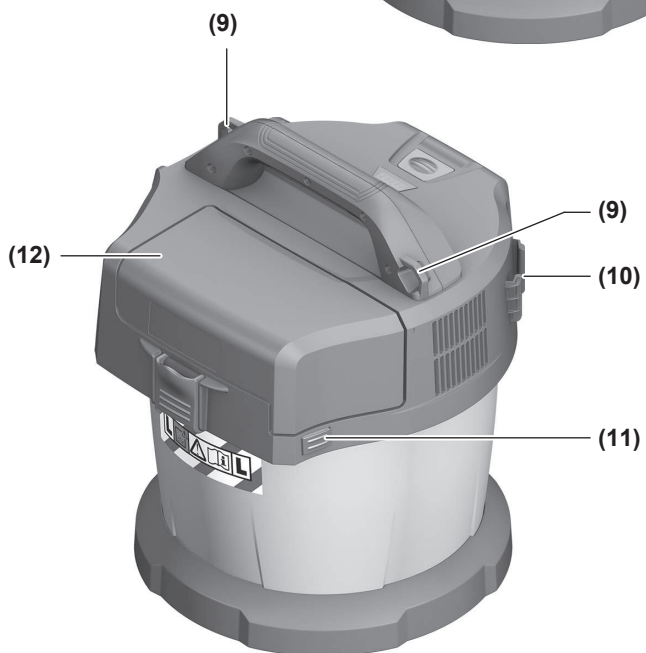
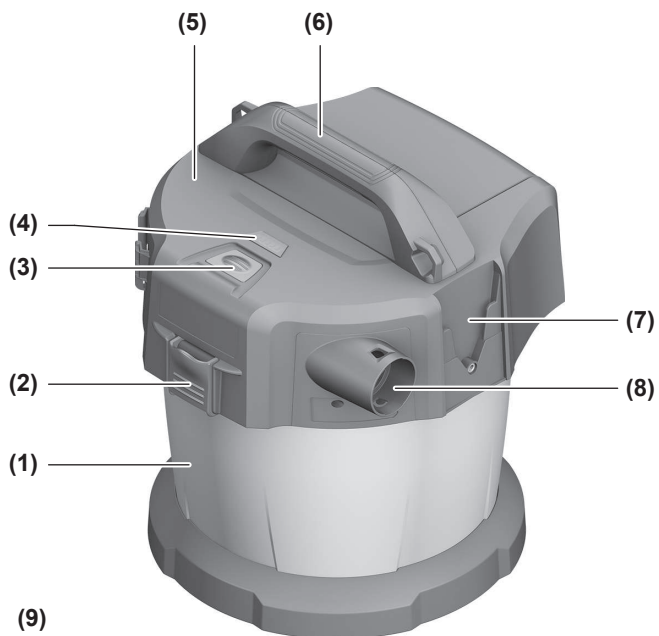


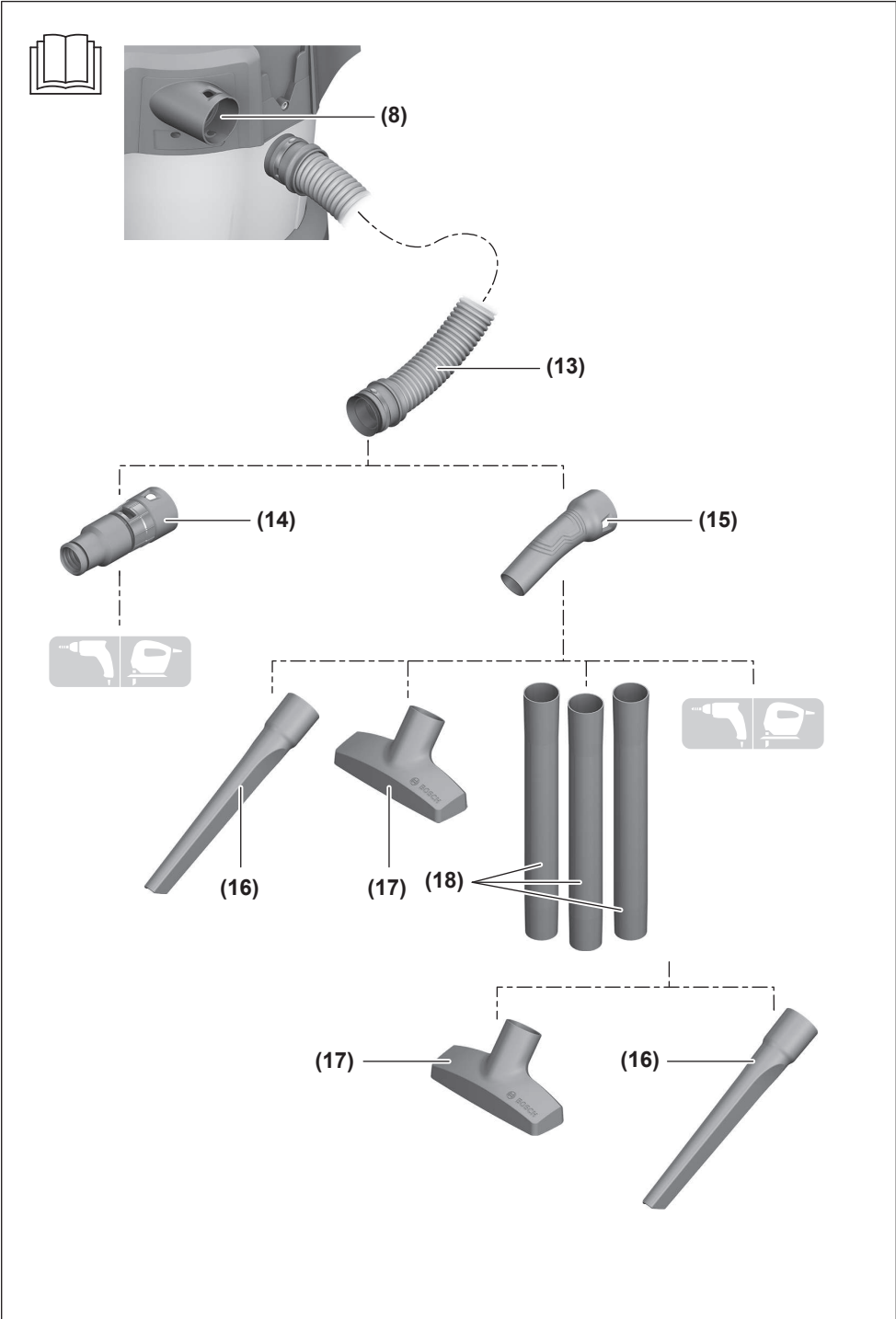
1 609 92A 9RG

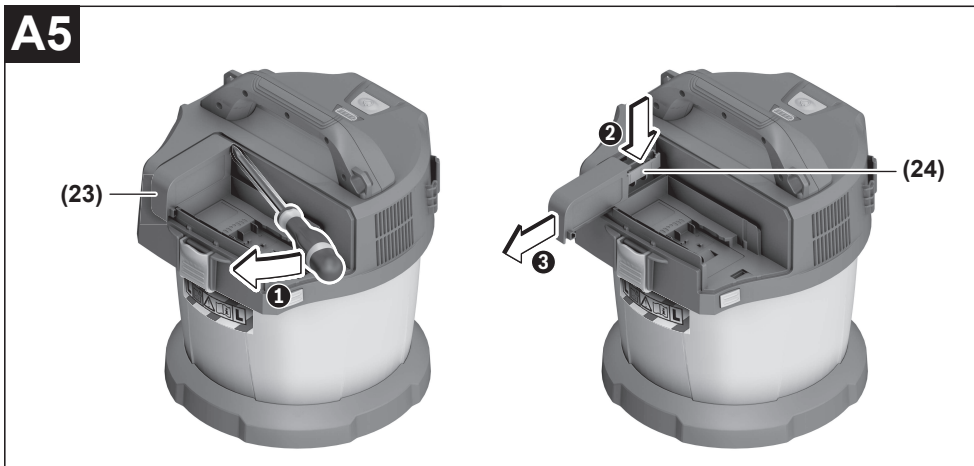
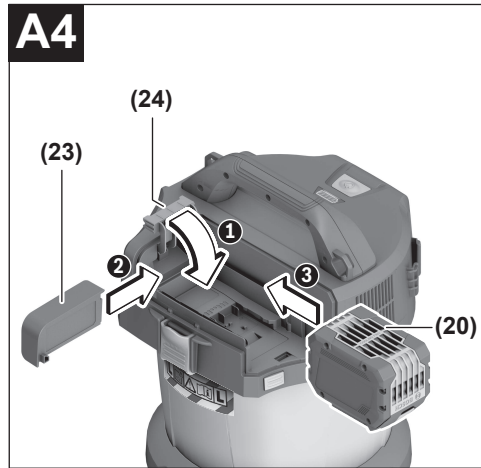
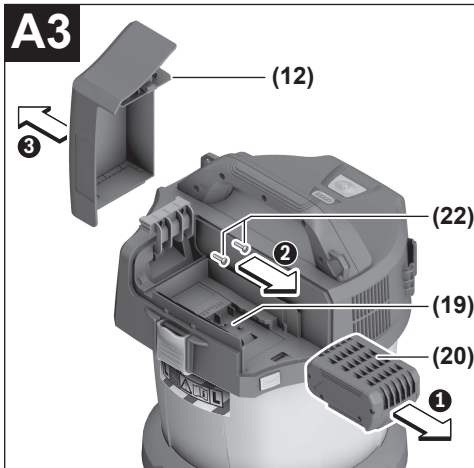
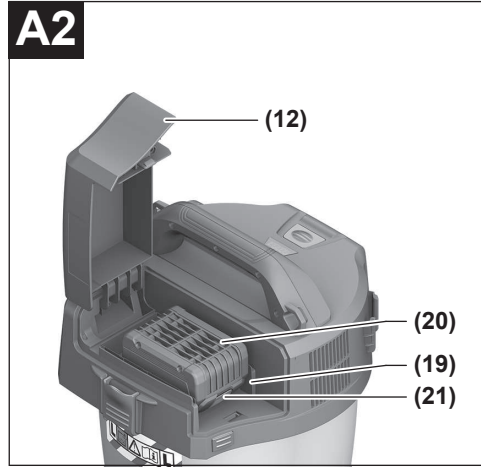
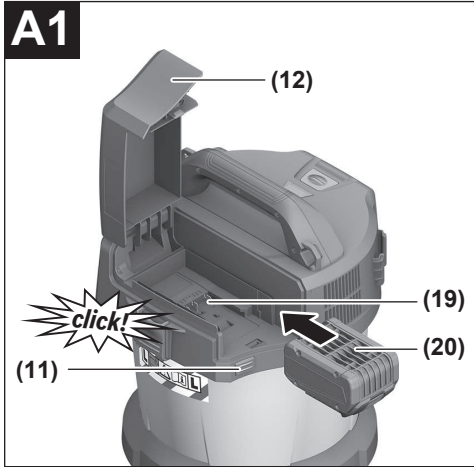
- en Original instructions
- fr Notice originale
- pt Manual original
- es Manual original
- pt Manual de instruções original
- zh 正本使用说明书
- zh 原始使用說明書
- th หนังสือคู่มือการใช้งานฉบับต้นแบบ
- id Petunjuk-Petunjuk untuk Penggunaan Orisinal
- vi Bản gốc hướng dẫn sử dụng
- ar دليل التشغيل الأصلي
- fa دفترچه راهنمای اصلی

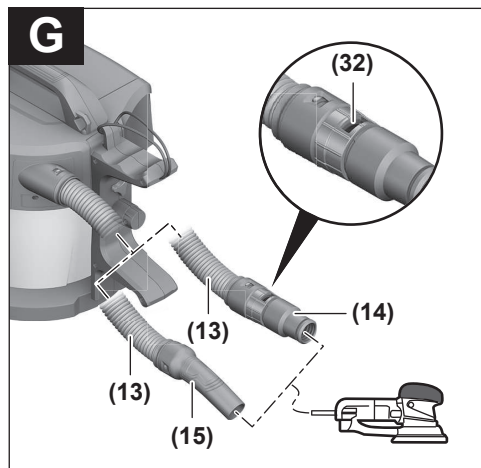
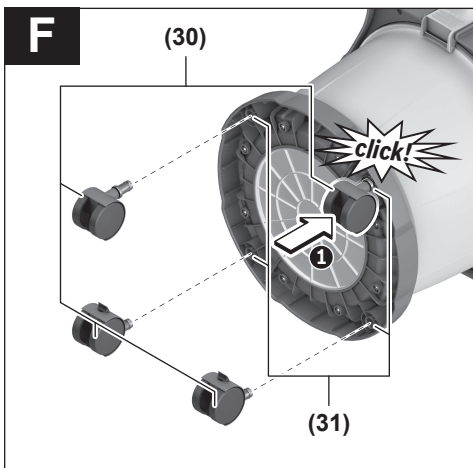
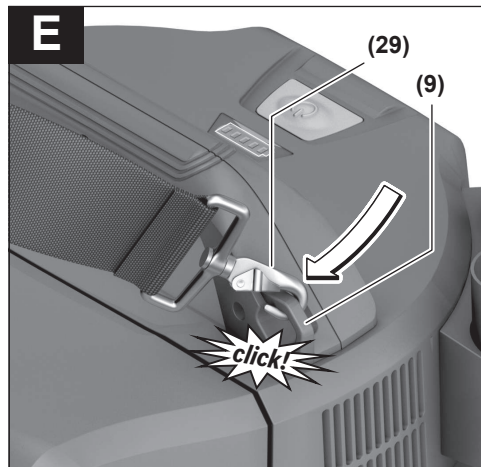
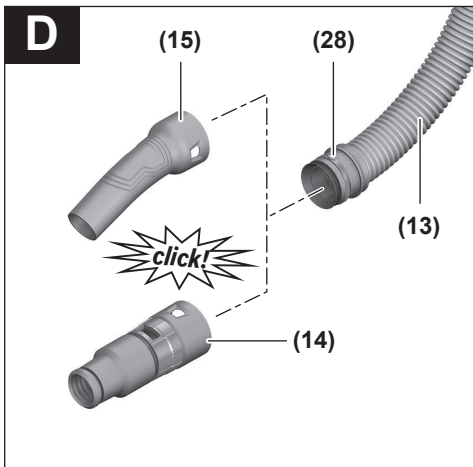
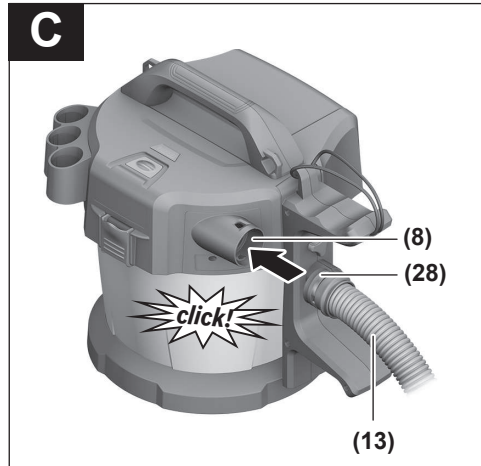
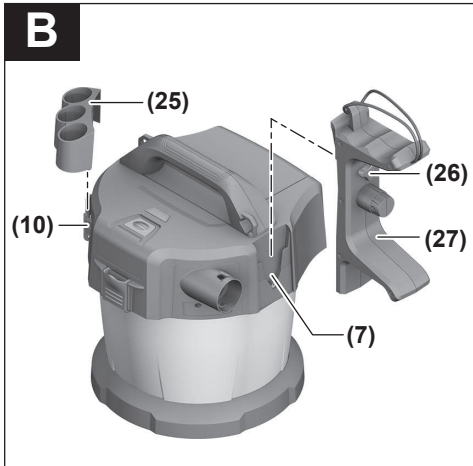


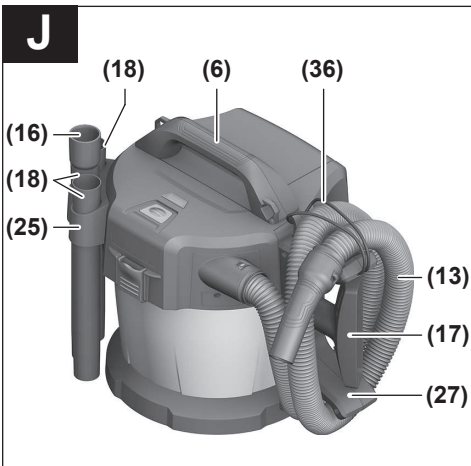
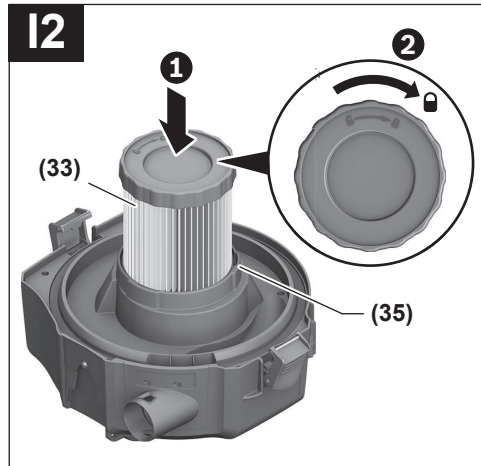
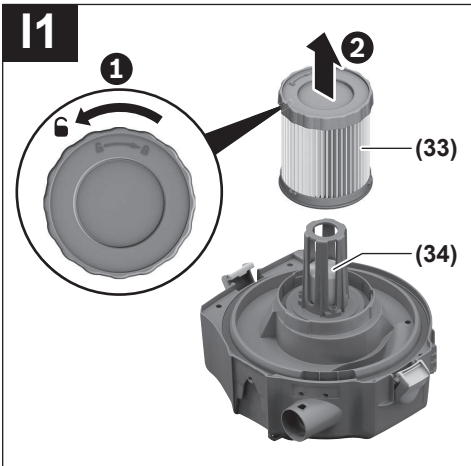
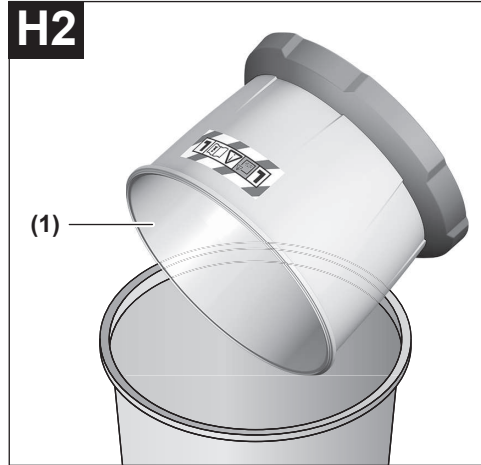
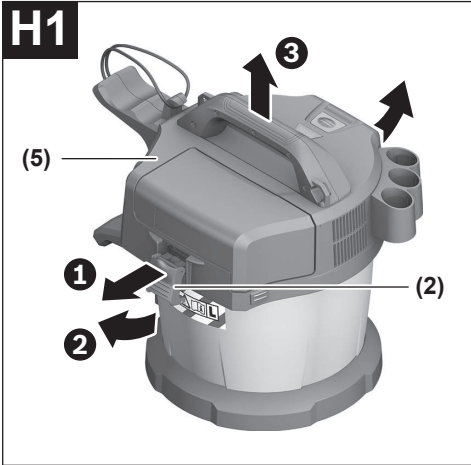
English .....	Page	8
Français .....	Page	14
Português .....	Página	21
Español .....	Página	27
Português do Brasil .....	Página	34
中文 .....	页	40
繁體中文 .....	頁	46
ไทย .....	หน้า	52
Bahasa Indonesia .....	Halaman	58
Tiếng Việt .....	Trang	65
عربي .....	الصفحة	72
فارسی .....	صفحه	79











## English

### Safety information for vacuum cleaners



Read all the safety information and instructions. Failure to observe the safety information and follow instructions may result in electric shock, fire and/or serious injury.

Save all warnings and instructions for future reference.

► **This vacuum cleaner is not intended for use by children or persons with physical, sensory or mental impairments. It should not be used by persons who have insufficient experience and knowledge.** Otherwise, there is a risk of operating errors and injuries.

► **Supervise children.** This will ensure that children do not play with the vacuum cleaner.

- **Comply with all safety provisions for the substances being extracted.**
- **Do not vacuum beech or oak wood dust or asbestos. Only vacuum rock dust in conjunction with dust extraction systems, which have been explicitly approved for use with GAS 18V-10 L by Bosch.** These substances are classified as carcinogenic.

**⚠ WARNING** Only use the vacuum cleaner if you have been adequately informed about the use of the equipment, the substances to be vacuumed and how to dispose of these safely. Thorough instruction on how to use the equipment prevents accidental misuse and injuries.

**⚠ WARNING** The vacuum cleaner is suitable for vacuuming dry substances, and can also be used to vacuum liquids when taking appropriate measures. The penetration of liquids increases the risk of an electric shock.

- **Do not use the vacuum cleaner to vacuum combustible or explosive liquids, such as petrol, oil, alcohol or solvents. Do not vacuum hot, burning or explosive dust. Do not operate the vacuum cleaner in areas subject to explosion hazards.** Dust, vapours and liquids can ignite or explode.

**⚠ WARNING** If you notice a foam or water leak, switch off the vacuum cleaner immediately and empty the container. Otherwise, the vacuum cleaner can become damaged.

- **NOTE: The vacuum cleaner must only be stored indoors.**
- **NOTE: Clean the float regularly and check whether it is damaged.** Otherwise, the equipment may not function properly.
- **Ensure that the workplace is well ventilated.**
- **The vacuum cleaner should be repaired exclusively by a qualified professional using only genuine spare parts.** This will ensure that the safety of the vacuum cleaner is maintained.

**⚠ WARNING** The dust extractor contains dust particles that pose a risk to health. Emptying and maintenance procedures, including the disposal of dust containers, should only be carried out by professionals. Suitable protective equipment is required. Do not operate the vacuum cleaner unless the complete filter system is correctly inserted. Otherwise, you are putting your health at risk.

- **Before using the equipment for the first time, check that the vacuum hose is in perfect condition. Leave the vacuum hose fitted to the vacuum cleaner while doing this so that no dust escapes accidentally.** Otherwise, you may end up inhaling dust particles.
- **Do not clean the vacuum cleaner by spraying a jet of water directly at it.** Water entering the top of the vacuum cleaner will increase the risk of electric shock.
- **Do not open the battery.** There is a risk of short-circuiting.
- **In case of damage and improper use of the battery, vapours may be emitted. The battery can set alight or explode.** Ensure the area is well ventilated and seek medical attention should you experience any adverse effects. The vapours may irritate the respiratory system.
- **If used incorrectly or if the battery is damaged, flammable liquid may be ejected from the battery. Contact with this liquid should be avoided. If contact accidentally occurs, rinse off with water. If the liquid comes into contact with your eyes, seek additional medical attention.** Liquid ejected from the battery may cause irritation or burns.
- **The battery can be damaged by pointed objects such as nails or screwdrivers or by force applied externally.** An internal short circuit may occur, causing the battery to burn, smoke, explode or overheat.
- **When the battery is not in use, keep it away from paper clips, coins, keys, nails, screws or other small metal objects that could make a connection from one terminal to another.** A short circuit between the battery terminals may cause burns or a fire.
- **Only use the battery in the manufacturer's products.** This is the only way in which you can protect the battery against dangerous overload.
- **Only charge the batteries using chargers recommended by the manufacturer.** A charger that is suitable for one type of battery may pose a fire risk when used with a different battery.





**Protect the battery against heat, e.g. against continuous intense sunlight, fire, dirt, water and moisture.** There is a risk of explosion and short-circuiting.



- ▶ **Do not work with the dust extractor if you are carrying it by the strap.** You could get caught in the carrying strap and fall while vacuuming.
- ▶ **Use the carrying strap only in conjunction with the dust extractor.**

## Symbols

The following symbols may provide you with important information pertaining to the use of your dust extractor. Please take note of these symbols and their meaning. Correctly interpreting the symbols will help you to operate the dust extractor more effectively and safely.

### Symbols and their meaning



**WARNING! Read all the safety and general instructions.** Failure to observe the safety and general instructions may result in electric shock, fire and/or serious injury.



Dust extractor from dust class L in accordance with IEC/EN 60335-2-69 for the **dry extraction** of harmful dusts with an exposure limit of  $> 1 \text{ mg/m}^3$



**WARNING! The dust extractor contains dust particles that pose a risk to health. Emptying and maintenance procedures, including the disposal of dust containers, should only be carried out by professionals. Suitable protective equipment is required. Do not operate the dust extractor unless the complete filter system is correctly inserted.** Otherwise, you are putting your health at risk.

## Product Description and Specifications

Please observe the illustrations at the beginning of this operating manual.

### Intended Use

The dust extractor is intended for collecting, vacuuming, conveying and separating non-flammable dry dusts, non-flammable liquids and a water-air mixture. The dust extraction capability of the dust extractor has been tested and corresponds to dust class L. It is suitable for the increased demands in professional use, e.g. in trade, industry and workshops.

Dust extractors from dust class L in accordance with IEC/EN 60335-2-69 may only be used to vacuum and extract harmful dust with an exposure limit of  $> 1 \text{ mg/m}^3$ .

Only use the dust extractor if you can fully evaluate all functions and carry them out without restrictions, or if you have received corresponding instructions.

### Rotational Airflow

The bagless filter system removes the need to use dust bags. Dirt is collected on the inside wall of the container.

### Product Features

The numbering of the product features refers to the representation of the vacuum cleaner on the graphic pages.

- (1) Container
- (2) Catch for top part of dust extractor
- (3) On/off button
- (4) Battery charge indicator
- (5) Top part of dust extractor
- (6) Carrying handle
- (7) Adapter for vacuum hose/floor nozzle bracket
- (8) Hose adapter
- (9) Fastening eyes
- (10) Adapter for suction tube/crevice nozzle bracket
- (11) Battery compartment cover release button
- (12) Battery compartment cover
- (13) Vacuum hose
- (14) Dust extraction adapter
- (15) Curved nozzle
- (16) Crevice nozzle
- (17) Floor nozzle
- (18) Suction tube
- (19) Battery bay
- (20) Rechargeable battery<sup>a)</sup>
- (21) Battery release button<sup>a)</sup>
- (22) Fastening screws
- (23) Screen
- (24) Bracket for battery compartment cover
- (25) Bracket for suction tube and crevice nozzle
- (26) Fixing bolt for bracket (27)
- (27) Bracket for vacuum hose and floor nozzle
- (28) Snap fastener
- (29) Carrying strap<sup>a)</sup>
- (30) Castor<sup>a)</sup>
- (31) Castor adapter
- (32) False air intake
- (33) Filter
- (34) Float
- (35) Filter holder
- (36) Retaining strap of the vacuum hose

a) **This accessory is not part of the standard scope of delivery.**

## Technical data

Cordless wet/dry vacuum cleaner		GAS 18V-10 L	
Article number		<b>3 601 JC6 3..</b>	
Voltage	V	18	
Rated power input	W	260	
Container volume (gross)	l	10	
Net volume (liquid)	l	6	
Max. vacuum <sup>A)</sup>			
– Dust extractor <sup>B)</sup>	hPa	90	
– Turbine	hPa	115	
Max. flow rate <sup>A)</sup>			
– Dust extractor <sup>B)</sup>	l/s m <sup>3</sup> /h	24 86	
– Turbine	l/s m <sup>3</sup> /h	34 122	
Operating time per battery charge	min/Ah	4	
Dust class			
		L	
Weight according to EPTA-Procedure 01:2014	kg	5,1–6,1 <sup>C)</sup>	
Protection rating			
		IPX4	
Recommended ambient temperature during charging	°C	0 ... +35	
Permitted ambient temperature during operation <sup>D)</sup> and during storage	°C	–20 ... +50	
Recommended rechargeable batteries		GBA 18V... ProCORE18V...	
Recommended chargers		GAL 18... GAX 18... GAL 36...	

A) Measured at 20–25 °C with rechargeable battery **GBA 18V 6.3Ah**

B) Measured with vacuum hose (13) and curved nozzle (15)

C) Depends on battery in use

D) Limited performance at temperatures < 0 °C

Values can vary depending on the product, scope of application and environmental conditions. To find out more, visit [www.bosch-professional.com/wac](http://www.bosch-professional.com/wac).

## Noise/Vibration Information

Noise emission values determined according to **EN 60335-2-69**.

Typically the A-weighted sound pressure level of the dust extractor is **79 dB(A)**. Uncertainty K = 2 dB. The noise level when working can exceed the volume stated. **Wear hearing protection!**

Vibration total values  $a_h$  (tri-ax vector sum) and uncertainty K determined according to **EN 60335-2-69**:

$a_h < 2.5 \text{ m/s}^2$ , K = 1.5  $\text{m/s}^2$ .

## Rechargeable battery

**Bosch** sells some cordless dust extractors without a rechargeable battery. You can tell whether a rechargeable battery is included with the dust extractor by looking at the packaging.

### Charging the battery

► **Use only the chargers listed in the technical data.** Only these chargers are matched to the lithium-ion battery of your dust extractor.

**Note:** Lithium-ion rechargeable batteries are supplied partially charged according to international transport regulations. To ensure full rechargeable battery capacity, fully charge the rechargeable battery before using your tool for the first time.

### Inserting and Removing the Battery (see figures A1–A2)

- **Do not use force to insert the battery.** The battery is designed in such a way that it can only be inserted into the product when it is in the right position.
- Keep the battery compartment and the battery bay clean and dry at all times to ensure good, safe operation.
  - Press the release button (11) to open the battery compartment cover (12).
  - Slide the battery (20) into the battery bay (19) until it audibly clicks into place.
  - To remove the battery (20), press the release button (21) on the battery and pull it out of the battery bay (19).
  - Close the battery compartment cover (12).

### Changing the Battery Compartment Cover (see figures A3–A5)

If you wish to use a ProCORE18V 12Ah battery, the battery compartment cover (12) can then no longer be closed. In this case, the battery compartment cover (12) can be replaced with a screen (23) designed for this purpose.

In damp or wet conditions, the dust extractor may only be used with the battery compartment cover closed.

### Removing the Battery Compartment Cover (see figure A3)

Remove the battery (20) from the battery bay (19).

Remove the two fastening screws (22) (ST4×12) with a cross-headed screwdriver PH1 and take off the battery compartment cover (12).

### Inserting the Screen (see figure A4)

Press the battery compartment cover bracket (24) downwards and slide on the screen (23).

### Removing the Screen (see figure A5)

Apply a slot screwdriver, push the screen (23) a little way towards the rear and remove the screen. When doing so, press the battery compartment cover bracket (24) downwards.

## Battery Charge Indicator



When the rechargeable battery is inserted, you can see the state of charge of the battery on the battery charge indicator (4) on the dust extractor. When the rechargeable battery is removed, you can see this on the battery itself.

### Battery Charge Indicator on the Dust Extractor

After the dust extractor is switched on, the five green LEDs of the battery charge indicator (4) will light up individually one after another in ascending and descending order. Then the LEDs will indicate the state of charge of the battery (20).

### Battery Charge Indicator on the Rechargeable Battery

If the rechargeable battery is removed from dust extractor, its state of charge may be indicated by the green LEDs of the battery charge indicator on the battery.

Press the button for the battery charge indicator  or  to show the state of charge.

If no LED lights up after pressing the button for the battery charge indicator, then the battery is defective and must be replaced.

Note: Not all battery types have a battery charge indicator.

### Battery model GBA 18V...



LEDs	Capacity
3× continuous green light	60–100 %
2× continuous green light	30–60 %
1× continuous green light	5–30 %
1× flashing green light	0–5 %

### Battery model ProCORE18V...



LEDs	Capacity
5× continuous green light	80–100 %
4× continuous green light	60–80 %
3× continuous green light	40–60 %
2× continuous green light	20–40 %
1× continuous green light	5–20 %
1× flashing green light	0–5 %

## Recommendations for Optimal Handling of the Battery

Protect the battery against moisture and water.

Only store the battery within a temperature range of -20 to 50 °C. Do not leave the battery in your car in the summer, for example.

Occasionally clean the ventilation slots on the battery using a soft brush that is clean and dry.

A significantly reduced operating time after charging indicates that the battery has deteriorated and must be replaced.

Follow the instructions on correct disposal.

## Assembly

- ▶ **Remove the battery before cleaning or performing maintenance on the dust extractor, making tool adjustments, changing accessories or placing the dust extractor in storage.** This safety measure prevents the dust extractor from being started accidentally.

### Fitting the Brackets for Extractor Accessories (see figure B)

- Slide the bracket (25) for the suction tube and crevice nozzle firmly into the adapter (10) provided for it from above until it clicks into place.
- Slide the bracket (27) for the vacuum hose and floor nozzle firmly into the adapter (7) provided for it from above and tighten the fixing bolts (26).

### Fitting the vacuum hose (see figure C)

- Insert the vacuum hose (13) into the hose adapter (8) until both snap fasteners (28) of the vacuum hose click into place.

**Note:** The friction generated by the dust in the vacuum hose and accessory during extraction causes an electrostatic charge that the user may experience as static discharge (depending on environmental factors and their physiological state).

### Fitting the Vacuuming Accessories

The vacuum hose (13) is equipped with a clip system which can be used to connect vacuuming accessories (dust extraction adapter (14), curved nozzle (15)).

### Fitting the extraction adapter or curved nozzle (see figure D)

Fit the extraction adapter (14) or the curved nozzle (15) to the vacuum hose (13) until the two snap fasteners (28) on the vacuum hose audibly click into place.

To remove the adapter, press the snap fasteners (28) inwards and pull apart the components.

### Fitting the Nozzles and Tubes

- If required, place the suction tubes (18) firmly inside one another and then attach them firmly to the curved nozzle (15).
- Attach the floor nozzle (17) or the crevice nozzle (16) firmly to the suction tube (18) or the curved nozzle (15).

### Attaching the Carrying Strap (Accessory) (see figure E)

- ▶ **The carrying strap is only intended for carrying and attaching the dust extractor!**

Click the snap hooks of the carrying strap (29) into the fastening eyes (9) of the dust extractor.

### Fitting the Castors (Accessory) (see figure F)

Insert the 4 fastening pins on the rollers (30) into the roller adapters (31) until they audibly click into place.

Other rollers can also be used as per the EN 12529 standard (11 mm fastening pin diameter).

- ▶ **Check the functionality of the roller brakes before using the dust extractor.**

## Operation

- ▶ **Remove the battery before cleaning or performing maintenance on the dust extractor, making tool adjustments, changing accessories or placing the dust extractor in storage.** This safety measure prevents the dust extractor from being started accidentally.
- ▶ **Ensure that the work area is clean and tidy to minimise the risk of tripping.**

### Starting Operation

- ▶ **The dust extractor must not be used without a filter.**
- ▶ **Do not use damaged filters (e.g. no cracks, small holes, etc.). Replace any damaged filters immediately.**
- ▶ **Before extraction, ensure that the filter unit is securely fitted.**
- ▶ **Before extraction, ensure that the battery compartment cover is securely closed.**
- ▶ **Please inform yourself about the applicable regulations/laws on how to handle harmful types of dust in your country.**
- ▶ **Only vacuum rock dust with the power tool and dust extraction system combination explicitly identified, for which it has been proven that the legal thresholds are not exceeded.** You can find this evidence at <http://www.bosch-professional.com/dust>.

The dust extractor must categorically not be used in potentially explosive areas.

To ensure optimum suction power, you must always fully unwind the vacuum hose (13) from the vacuum hose bracket (27).

### Switching On and Off

To **switch on** the dust extractor, briefly press the on/off button (3).

To **switch off** the dust extractor, press the on/off button (3) again.

For safety reasons, the dust extractor does not switch on if the on/off button (3) is held down for longer than five seconds.

## Dry Vacuuming

### Extracting dust that accumulates from working power tools (see figure G)

- ▶ **There must be a sufficient air exchange rate in the room when the exhaust air comes back into the room. Be aware of the corresponding national regulations.**
  - Fit the dust extraction adapter (14) or the curved nozzle (15) (see "Fitting the extraction adapter or curved nozzle (see figure D)", page 11).
  - Insert the extraction adapter (14) or the curved nozzle (15) into the power tool's dust extraction outlet.

Only when using the dust extraction adapter (14):

**Note:** When working with power tools that have a low air feed into the vacuum hose (e.g. jigsaws, sanders, etc.), the false air intake (32) of the dust extraction adapter (14) must be opened. This will improve the total output of the dust extractor and the power tool. To do this, turn the ring above the false air intake (32) until the opening is at its maximum size.

## Wet Vacuuming

- ▶ **Do not use the vacuum cleaner to vacuum combustible or explosive liquids, such as petrol, oil, alcohol or solvents. Do not vacuum hot, burning or explosive dust. Do not operate the vacuum cleaner in areas subject to explosion hazards.** Dust, vapours and liquids can ignite or explode.

### Before wet vacuuming:

- Empty the container (1).
- Clean the filter (33) and fit it back into the dust extractor (see "Cleaning/replacing filters (see figures I1–I2)", page 13).

The dust extractor is equipped with a float (34). Extraction is stopped when the maximum filling level is reached.

### After wet vacuuming, always:

- Empty the container (1).
- Empty the water from the filter (33).

### To prevent mould growth after wet vacuuming:

- Remove the dust extractor lid (5) and leave it to dry thoroughly.
- Remove the filter (33) and also leave this to dry thoroughly (see "Cleaning/replacing filters (see figures I1–I2)", page 13).

## Maintenance and Servicing

### Maintenance and Cleaning

- ▶ **Remove the battery before cleaning or performing maintenance on the dust extractor, making tool adjustments, changing accessories or placing the dust extractor in storage.** This safety measure prevents the dust extractor from being started accidentally.

- ▶ **To ensure safe and efficient operation, always keep the dust extractor and the ventilation slots clean.**
- ▶ **Wear a dust mask when servicing and cleaning the vacuum cleaner.**

Clean the housing of the dust extractor occasionally with a damp cloth.

Clean dirty charging pins using a dry cloth.

- ▶ **Do not use compressed air to clean the dust extractor.**  
The filter or other components may become damaged.

At least once a year a technical inspection of the dust extractor must be carried out by the manufacturer or someone who has been trained (e.g. to check for filter damage, to check that the dust extractor is tight and that the control unit is in perfect working order).

#### **Cleaning and maintenance after extracting hazardous substances**

- All parts that may have come into contact with the hazardous substances must be considered contaminated.
- Vacuum, wipe down and seal the outside of the dust extractor thoroughly before removing it from the area containing the hazardous substances.
- Only clean, dismantle and perform maintenance on the dust extractor if this can be done without endangering yourself or other persons. Wear personal protective equipment for cleaning and maintenance tasks. Undertake the work in a well ventilated room.
- First clean the outside of the dust extractor before dismantling it.
- All parts of the dust extractor that cannot be adequately cleaned must be disposed of in impermeable bags. Please observe the applicable regulations for the disposal of such waste.
- Clean the maintenance area after completing the work.

#### **Cleaning the container (see figures H1–H2)**


Clean the container (1) after each use in order to ensure that the dust extractor continues to perform optimally.

- Open the catches (2) and remove the dust extractor lid (5).
- Shake out the container (1) over a suitable waste bin.
- If necessary, clean the container with a damp cloth.  
Clean the filter if required (see "Cleaning/replacing filters (see figures I1–I2)", page 13).
- Replace the dust extractor lid (5) and close the catches (2).

#### **Cleaning/replacing filters (see figures I1–I2)**

Suction power is dependent on the condition of the filter. Therefore, the filter should be cleaned regularly.

Replace any damaged filters immediately.

- Open the catches (2) and remove the dust extractor lid (5).
- Turn the filter (33) as far as it will go in the direction of rotation  and remove it from the filter bracket (35).
- If the filter is dry:  
Tap the filter (33) on the side of a suitable waste bin.

When doing so, ensure that you do not damage the flaps on the filter.

To achieve maximum suction power, brush down the flaps of the filter using a soft brush.


or

If the filter is wet:

Rinse the filter (33) under running water and then leave it to dry thoroughly.

or

Replace the filter (33) if it is damaged.

- Position the filter (33) over the filter bracket (35) and turn it as far as it will go in the direction of rotation .
- Replace the dust extractor lid (5) and close the catches (2).  
Make sure that the catches engage firmly.

#### **Faults**

If the suction power is insufficient, check:

- Is the container (1) full?  
▷ (see "Cleaning the container (see figures H1–H2)", page 13).
- Is the filter (33) clogged with dust?  
▷ (see "Cleaning/replacing filters (see figures I1–I2)", page 13).
- Is the battery capacity too weak?  
▷ Charge the rechargeable battery.

Regularly emptying the container (1) and cleaning the filter (33) will ensure optimum suction power.

If sufficient suction power is not achieved after following these steps, please contact a **Bosch**-after-sales service centre.

#### **Storage (see figure J)**

- Insert the suction tubes (18) into the brackets (25).
- Insert the crevice nozzle (16) into a suction tube (18).
- Insert the floor nozzle (17) into the bracket (27).
- Wind the vacuum hose (13) around the bracket (27) from below and fasten the retaining strap (36).
- Only ever carry the dust extractor by the carrying handle (6) or by the carrying strap (if present).
- Store the dust extractor in a dry room and secure it so that it cannot be used by unauthorised persons.

#### **After-Sales Service and Application Service**

Our after-sales service responds to your questions concerning maintenance and repair of your product as well as spare parts. You can find explosion drawings and information on spare parts at: [www.bosch-pt.com](http://www.bosch-pt.com)

The Bosch product use advice team will be happy to help you with any questions about our products and their accessories.

In all correspondence and spare parts orders, please always include the 10-digit article number given on the nameplate of the product.

#### **Malaysia**

Robert Bosch Sdn. Bhd. (220975-V) PT/SMY  
No. 8A, Jalan 13/6

46200 Petaling Jaya  
Selangor  
Tel.: (03) 79663194  
Toll-Free: 1800 880188  
Fax: (03) 79583838  
E-Mail: kiathoe.chong@my.bosch.com  
www.bosch-pt.com.my

**You can find further service addresses at:**

www.bosch-pt.com/serviceaddresses

### Transport

The recommended lithium-ion batteries are subject to legislation on the transport of dangerous goods. The user can transport the batteries by road without further requirements.

When the batteries are shipped by third parties (e.g. air transport or forwarding agency), special requirements on packaging and labelling (e.g. ADR regulations) must be met. A dangerous goods expert must be consulted when preparing the items for shipping.

Dispatch battery packs only when the housing is undamaged. Tape or mask off open contacts and pack up the battery in such a manner that it cannot move around in the packaging. Please also observe the possibility of more detailed national regulations.

### Disposal



Vacuum cleaners, batteries, accessories and packaging should be sorted for environmentally friendly recycling.



Do not dispose of vacuum cleaners or battery packs/batteries with household waste.

### Battery packs/batteries:

#### Li-ion:

Please observe the notes in the section on transport (see "Transport", page 14).

## Français

### Consignes de sécurité pour les aspirateurs



**Lisez attentivement toutes les instructions et consignes de sécurité.** Le non-respect des instructions et consignes de sécurité peut provoquer un choc électrique, un incendie et/ou entraîner de graves blessures.

**Conservez tous les avertissements et toutes les instructions pour pouvoir s'y reporter ultérieurement.**

► **Cet aspirateur n'est pas conçu pour être utilisé par des enfants ni par des personnes souffrant d'un handicap physique, sensoriel ou mental ou manquant d'expérience ou de connaissances.** Il y a sinon risque de blessures et d'utilisation inappropriée.

► **Ne laissez pas les enfants sans surveillance.** Faites en sorte que les enfants ne jouent pas avec l'aspirateur.

► **Observez toutes les consignes de sécurité relatives aux matières à aspirer.**

► **N'aspirez pas des poussières de hêtre ou de chêne ou de l'amiante. N'aspirez des poussières minérales qu'en utilisant un dispositif d'aspiration spécialement conçu pour une utilisation avec l'outil GAS 18V-10 L de Bosch.** Ces matières sont considérées comme cancérigènes.

**AVERTISSEMENT** Ne mettez en marche l'aspirateur qu'après vous être suffisamment informé sur son utilisation, sur la nature des matières à aspirer et sur la façon de les éliminer en toute sécurité. Une initiation approfondie sur son utilisation réduit le risque de mauvaise manipulation et de blessure.

**AVERTISSEMENT** L'aspirateur est conçu pour l'aspiration de matières sèches et aussi de liquides, moyennant certaines mesures. La pénétration de liquides dans l'appareil ou tout contact avec des liquides augmente le risque de choc électrique.

► **N'utilisez pas cet aspirateur pour aspirer des liquides inflammables ou explosifs, tels que essence, huiles, alcool, solvants. N'aspirez pas de poussières très chaudes, incandescentes ou explosives. N'utilisez pas l'aspirateur dans des locaux à atmosphère explosive.** Les poussières, vapeurs ou liquides risquent de s'enflammer ou d'exploser.

**AVERTISSEMENT** Arrêtez immédiatement l'aspirateur dès que de la mousse ou de l'eau en ressort et videz la cuve.

L'aspirateur risque sinon d'être endommagé.

► **ATTENTION ! Ne rangez l'aspirateur qu'en intérieur.**

► **ATTENTION ! Nettoyez régulièrement le flotteur et vérifiez alors qu'il n'est pas endommagé.** Il y a sinon risque de dysfonctionnement.

► **Veillez à bien aérer la zone de travail.**

► **Ne confiez la réparation de l'aspirateur qu'à un professionnel qualifié utilisant seulement des pièces de re-**

**change d'origine.** Ceci est indispensable pour préserver la sécurité de fonctionnement de l'aspirateur.

### **⚠ AVERTISSEMENT**

**L'aspirateur contient des poussières nuisibles à la santé. Confiez son vidage, son entretien et le retrait du bac collecteur de poussière à un professionnel qualifié.**

**Le port d'équipements de protection appropriés est obligatoire. N'utilisez l'aspirateur qu'avec le système de filtration complet et bien en place.** Vous mettriez sinon votre santé en danger.

- ▶ **Avant de mettre en marche l'aspirateur, assurez-vous du bon état du tuyau d'aspiration. Laissez alors le tuyau d'aspiration raccordé à l'aspirateur pour éviter que de la poussière ne sorte involontairement.** Vous risqueriez sinon d'aspirer de la poussière.
- ▶ **Ne dirigez jamais un jet d'eau directement sur l'aspirateur pour le nettoyer.** Toute pénétration d'eau à l'intérieur de la partie supérieure de l'aspirateur augmente le risque de choc électrique.
- ▶ **N'ouvrez pas l'accu.** Risque de court-circuit.
- ▶ **Si l'accu est endommagé ou utilisé de manière non conforme, des vapeurs peuvent s'échapper. L'accu peut brûler ou exploser.** Ventilez le local et consultez un médecin en cas de malaise. Les vapeurs peuvent entraîner des irritations des voies respiratoires.
- ▶ **En cas d'utilisation inappropriée ou de défectuosité de l'accu, du liquide inflammable peut suinter de l'accu. Évitez tout contact avec ce liquide. En cas de contact accidentel, rincez abondamment à l'eau. Si le liquide entre en contact avec les yeux, consultez en plus un médecin dans les meilleurs délais.** Le liquide qui s'échappe de l'accu peut causer des irritations ou des brûlures.
- ▶ **Les objets pointus comme un clou ou un tournevis et le fait d'exercer une force extérieure sur le boîtier risque d'endommager l'accu.** Il peut en résulter un court-circuit interne et l'accu risque de s'enflammer, de dégager des fumées, d'exploser ou de surchauffer.
- ▶ **Lorsque l'accu n'est pas utilisé, le tenir à l'écart de tout objet métallique (trombones, pièces de monnaie, clés, clous, vis ou autres objets de petite taille) susceptible de créer un court-circuit entre les contacts.** Le court-circuitage des contacts d'un accu peut causer des brûlures ou causer un incendie.
- ▶ **N'utilisez l'accu que sur les produits du fabricant.** Tout risque de surcharge dangereuse sera alors exclu.
- ▶ **Ne chargez les accus qu'avec des chargeurs recommandés par le fabricant.** Un chargeur conçu pour un type d'accu bien spécifique peut provoquer un incendie lorsqu'il est utilisé pour charger d'autres accus.



**Conservez la batterie à l'abri de la chaleur, en la protégeant p. ex. de l'ensoleillement direct, du feu, de la saleté, de l'eau et de l'humidité.** Il existe un risque d'explosion et de courts-circuits.



- ▶ **N'utilisez pas l'aspirateur en le portant en bandoulière.** Vous pourriez rester accroché quelque part et chuter.
- ▶ **N'utilisez la sangle de transport qu'avec l'aspirateur.**

## Symboles

Les symboles suivants peuvent être importants pour l'utilisation de votre aspirateur. Veuillez mémoriser les symboles et leur signification. L'interprétation correcte des symboles vous permettra de mieux utiliser votre aspirateur et en toute sécurité.

### Symboles et leur signification



**AVERTISSEMENT ! Lisez attentivement toutes les instructions et consignes de sécurité.** Le non-respect des instructions et consignes de sécurité peut provoquer un choc électrique, un incendie et/ou entraîner de graves blessures.



Aspirateur conforme à la classe de filtration L selon CEI/EN 60335-2-69 conçu pour l'aspiration à sec de poussières nuisibles à la santé avec une valeur limite d'exposition > 1 mg/m<sup>3</sup>



**AVERTISSEMENT ! L'aspirateur peut contenir des poussières nuisibles à la santé. Confiez son vidage, son entretien et le retrait du bac collecteur de poussière à un professionnel qualifié. Le port d'équipements de protection appropriés est obligatoire. N'utilisez l'aspirateur qu'avec le système de filtration complet et bien en place.** Vous mettriez sinon votre santé en danger.

## Description du produit et des prestations

Référez-vous aux illustrations qui se trouvent au début de la notice d'utilisation.

### Utilisation conforme

L'aspirateur est conçu pour l'aspiration, le soufflage et la séparation de poussières sèches ininflammables, de liquides ininflammables et de mélanges eau-air. L'aspirateur a été testé et reconnu conforme à la classe de filtration L. Il est destiné aux applications professionnelles exigeantes, sur les chantiers, dans l'industrie et dans les ateliers.

Les aspirateurs conformes à la classe de filtration L selon CEI/EN 60335-2-69 ne doivent être utilisés que pour l'aspiration à sec de poussières nuisibles à la santé avec une valeur limite d'exposition > 1 mg/m<sup>3</sup>.

N'utilisez l'aspirateur qu'après vous être familiarisé avec toutes ses fonctions ou après avoir été initié à son utilisation.

### Rotational Airflow

Le système de filtrage sans sac évite d'avoir à utiliser des sacs à poussière. Les saletés sont collectées au niveau de la paroi intérieure du réservoir.

### Éléments constitutifs

La numérotation des éléments se réfère à la représentation de l'aspirateur dans les pages graphiques.

- (1) Cuve
- (2) Attache de fermeture de la partie supérieure de l'aspirateur
- (3) Touche Marche/Arrêt
- (4) Indicateur d'état de charge de l'accum
- (5) Partie supérieure de l'aspirateur
- (6) Poignée de transport
- (7) Logement pour fixation du flexible d'aspiration / du suceur pour sols
- (8) Raccord pour flexible d'aspiration
- (9) Ceilllets de fixation
- (10) Logement pour fixation du tube d'aspiration / du suceur droit
- (11) Touche de déverrouillage du couvercle du compartiment d'accum
- (12) Couvercle du compartiment d'accum
- (13) Flexible d'aspiration
- (14) Adaptateur d'aspiration
- (15) Suceur coudé
- (16) Suceur droit
- (17) Suceur pour sols
- (18) Tube d'aspiration
- (19) Compartiment d'accum
- (20) Accum<sup>a)</sup>
- (21) Bouton de déverrouillage d'accum<sup>a)</sup>
- (22) Vis de fixation
- (23) Cache transparent
- (24) Support de fixation du couvercle du compartiment d'accum
- (25) Support de fixation pour tube d'aspiration et suceur droit
- (26) Vis de blocage du support de fixation (27)
- (27) Support de fixation pour flexible d'aspiration et suceur pour sols
- (28) Bouton poussoir
- (29) Bandoulière<sup>a)</sup>
- (30) Roulette<sup>a)</sup>
- (31) Logement de roulette
- (32) Orifice d'air secondaire
- (33) Filtre
- (34) Flotteur

(35) Support de filtre

(36) Boucle de maintien du flexible d'aspiration

a) **Cet accessoire n'est pas fourni.**

### Caractéristiques techniques

Aspirateur eau et poussière sans fil	GAS 18V-10 L	
Référence		<b>3 601 Jc6 3..</b>
Tension	V	18
Puissance absorbée nominale	W	260
Contenance (brute) de la cuve	l	10
Contenance nette (liquides)	l	6
Dépression maxi <sup>A)</sup>		
- Aspirateur <sup>B)</sup>	hPa	90
- Turbine	hPa	115
Débit maxi <sup>A)</sup>		
- Aspirateur <sup>B)</sup>	l/s m <sup>3</sup> /h	24 86
- Turbine	l/s m <sup>3</sup> /h	34 122
Autonomie par charge de batterie	min/Ah	4
Classe de filtration		L
Poids selon EPTA-Procedure 01:2014	kg	5,1-6,1 <sup>C)</sup>
Indice de protection		IPX4
Températures ambiantes recommandées pour la charge	°C	0 ... +35
Températures ambiantes admissibles pendant l'utilisation <sup>D)</sup> et pour le stockage	°C	-20 ... +50
Batteries recommandées		GBA 18V... ProCORE18V...
Chargeurs recommandés		GAL 18... GAX 18... GAL 36...

A) Mesuré à 20-25 °C avec accum **GBA 18V 6.3Ah**.

B) Mesurée avec le flexible d'aspiration (13) et le suceur coudé (15)

C) Dépend de l'accum utilisé

D) Performances réduites à des températures < 0 °C

Les valeurs peuvent varier selon le produit, les conditions d'utilisation et les conditions ambiantes. Pour plus d'informations, rendez-vous sur [www.bosch-professional.com/wac](http://www.bosch-professional.com/wac).

### Informations sur le niveau sonore/les vibrations

Valeurs d'émissions sonores déterminées conformément à **EN 60335-2-69**.

Le niveau de pression acoustique en dB(A) typique de l'aspirateur est de **79 dB(A)**. Incertitude K = 2 dB. Le niveau sonore peut dépasser les valeurs indiquées pendant l'utilisation de l'outil. **Portez un casque antibruit !**



Valeurs globales de vibration  $a_h$  (somme vectorielle sur les trois axes) et incertitude K conformément à **EN 60335-2-69** :  
 $a_h < 2,5 \text{ m/s}^2$ ,  $K = 1,5 \text{ m/s}^2$ .

## Accu

**Bosch** propose l'aspirateur sans fil aussi sans accu. Il est indiqué sur l'emballage si votre aspirateur est fourni ou non avec un accu.

### Recharge de l'accu

- **N'utilisez que les chargeurs indiqués dans les Caractéristiques techniques.** Seuls ces chargeurs sont adaptés à l'accu Lithium-Ion utilisé dans votre aspirateur.

**Remarque** : Les dispositions internationales en vigueur pour le transport de marchandises obligent à livrer les accus Lithium-Ion partiellement chargés. Pour que les accus soient pleinement performants, chargez-les complètement avant leur première utilisation.

### Insertion et retrait de l'accu (voir figures A1–A2)

- **Ne pas forcer pour monter la batterie.** La batterie est conçue de façon à ne pouvoir être introduite dans le produit que dans la position correcte.
- Il est important, pour travailler dans de bonnes conditions et en toute sécurité, que le compartiment de l'accu reste propre et sec.
  - Actionnez la touche de déverrouillage **(11)** pour ouvrir le couvercle du compartiment à accu **(12)**.
  - Insérez l'accu **(20)** dans le compartiment d'accu **(19)**, jusqu'à ce qu'il s'enclenche de manière audible.
  - Pour retirer l'accu **(20)**, appuyez sur la touche de déverrouillage **(21)** de l'accu et retirez ce dernier du compartiment **(19)**.
  - Fermez le couvercle **(12)** du compartiment à accu.

### Remplacement du couvercle du compartiment à accu (voir figures A3–A5)

En cas d'utilisation d'un accu ProCORE18V 12 Ah, le couvercle du compartiment à accu **(12)** ne peut plus être refermé. Il faut alors remplacer le couvercle du compartiment à accu **(12)** par un cache transparent **(23)** spécialement conçu à cet effet.

Dans les environnements humides ou mouillés, il est interdit d'utiliser l'aspirateur quand le couvercle du compartiment à accu n'est pas fermé.

### Démontage du couvercle du compartiment à accu (voir figure A3)

Retirez l'accu **(20)** du compartiment à accu **(19)**.  
 Dévissez les deux vis de fixation **(22)** (ST4×12) à l'aide d'un tournevis cruciforme PH1 et retirez le couvercle du compartiment à accu **(12)**.

### Mise en place du cache transparent (voir figure A4)

Poussez le support de fixation **(24)** du couvercle du compartiment d'accu vers le bas et mettez en place le cache transparent **(23)**.

### Retrait du cache transparent (voir figure A5)

Insérez un tournevis plat, faites glisser légèrement le cache transparent **(23)** vers l'arrière et retirez-le. Poussez ce faisant le support de fixation **(24)** du couvercle du compartiment d'accu vers le bas.

### Indicateur d'état de charge de l'accu

Le niveau de charge est visible soit au niveau de l'indicateur d'état de charge **(4)** de l'aspirateur quand l'accu se trouve dans le logement, soit sur l'accu proprement dit quand l'accu n'est pas dans le logement.

### Indicateur d'état de charge sur l'aspirateur

À la mise en marche de l'aspirateur, les 5 LED vertes de l'indicateur d'état de charge **(4)** s'allument successivement dans un sens puis dans l'autre. Les LED indiquent ensuite le niveau de charge de l'accu **(20)**.

### Indicateur d'état de charge sur l'accu

Les LED vertes de l'indicateur d'état de charge de l'accu permettent de connaître le niveau de charge de l'accu après l'avoir extrait de l'aspirateur.

Pour voir le niveau de charge, appuyez sur le bouton de l'indicateur d'état de charge  ou .

Si aucune LED ne s'allume après avoir appuyé sur le bouton de l'indicateur d'état de charge, l'accu est défectueux et doit être remplacé.

**Remarque** : Tous les types d'accu ne possèdent pas d'indicateur d'état de charge.

### Batterie de type GBA 18V...



LED	Capacité
3 LED allumées en vert	60–100 %
2 LED allumées en vert	30–60 %
1 LED allumée en vert	5–30 %
Clignotement en vert d'1 LED	0–5 %

### Batterie de type ProCORE18V...



LED	Capacité
5 LED allumées en vert	80–100 %
4 LED allumées en vert	60–80 %
3 LED allumées en vert	40–60 %
2 LED allumées en vert	20–40 %
1 LED allumée en vert	5–20 %
Clignotement en vert d'1 LED	0–5 %

## Indications pour une utilisation optimale de la batterie

Protégez l'accu de l'humidité et de l'eau.

Ne stockez l'accu que dans la plage de températures de -20 à 50 °C. Ne laissez par ex. pas l'accu dans une voiture en plein été.

Nettoyez de temps en temps les orifices de ventilation de l'accu à l'aide d'un pinceau doux, propre et sec.

Une baisse notable de l'autonomie de l'accu au fil des recharges effectuées indique que l'accu est arrivé en fin de vie et qu'il doit être remplacé.

Respectez les indications concernant l'élimination.

## Montage

- **Retirez l'accu avant de nettoyer l'aspirateur, d'effectuer des réglages, de changer d'accessoire ou de ranger l'aspirateur.** Cette mesure de précaution prévient toute mise en marche intempestive de l'aspirateur.

### Montage des supports de fixation des accessoires (voir figure B)

- Insérez par le haut le support de fixation (25) pour la fixation du tube d'aspiration / de la buse suceur dans le logement (10) prévu à cet effet, jusqu'à ce qu'il s'enclenche.
- Insérez par le haut le support (27) pour la fixation du tuyau flexible d'aspiration / de la buse de sol dans le logement (7) prévu à cet effet et serrez la vis (26).

### Montage du tuyau d'aspiration (voir figure C)

- Emboîtez le tuyau d'aspiration (13) dans le raccord (8) jusqu'à ce que les deux boutons-poussoirs (28) du tuyau d'aspiration s'enclenchent.

**Remarque :** Lors de l'aspiration, le frottement de la pousière contre les parois du tuyau d'aspiration et de l'accessoire génère des charges électrostatiques pouvant donner lieu à des décharges électrostatiques plus ou moins gênantes pour l'utilisateur (dépend des conditions environnementales et de la sensibilité corporelle de chacun).

### Montage des accessoires d'aspiration

Le tuyau d'aspiration (13) est pourvu d'un système de clipage permettant le raccordement des accessoires d'aspiration (adaptateur d'aspiration (14), coude d'aspiration (15)).

#### Montage de l'adaptateur d'aspiration ou du coude d'aspiration (voir figure D)

Emboîtez l'adaptateur d'aspiration (14) ou le coude d'aspiration (15) sur le tuyau d'aspiration (13), jusqu'à ce que les deux boutons pression (28) du tuyau d'aspiration s'enclenchent de manière audible.

Pour retirer l'accessoire, appuyez sur les boutons-pressions (28) vers l'intérieur et tirez.

#### Montage des suceurs et des tubes

- Emboîtez en cas de besoin les tubes d'aspiration (18) l'un dans l'autre puis dans le coude d'aspiration (15).

- Emboîtez le suceur pour sols (17) ou le suceur droit (16) dans le tube d'aspiration (18) ou dans le coude d'aspiration (15).

### Fixation de la bandoulière (accessoire) (voir figure E)

- **La bandoulière n'est conçue que pour transporter l'aspirateur et le fixer à un objet horizontal !**

Clipsez les mousquetons de la bandoulière (29) dans les œillets de fixation (9) de l'aspirateur.

### Montage des roulettes (accessoire) (voir figure F)

Insérez les 4 tiges des roulettes (30) dans les logements de roulette (31) jusqu'à ce qu'elles s'enclenchent de manière audible.

Il est également possible d'utiliser d'autres roulettes conformes à la norme EN 12529 (diamètre de tige de fixation : 11 mm).

- **Vérifiez le bon fonctionnement des freins de roulettes avant d'utiliser l'aspirateur.**

## Mise en marche

- **Retirez l'accu avant de nettoyer l'aspirateur, d'effectuer des réglages, de changer d'accessoire ou de ranger l'aspirateur.** Cette mesure de précaution prévient toute mise en marche intempestive de l'aspirateur.
- **Veillez à bien ranger l'espace de travail avant d'utiliser l'aspirateur afin de ne pas trébucher.**

### Mise en marche

- **L'aspirateur ne doit pas être utilisé sans filtre.**
  - **Assurez-vous que le filtre est en parfait état (sans fissures, petits trous, etc.). Remplacez aussitôt le filtre s'il est endommagé.**
  - **Avant d'aspirer, assurez-vous que l'unité de filtrage est correctement montée.**
  - **Avant d'utiliser l'aspirateur, assurez-vous que le couvercle du compartiment d'accu est correctement fermé.**
  - **Informez-vous sur les directives/lois en vigueur dans votre pays concernant l'exposition aux poussières nocives à la santé.**
  - **N'aspirez des poussières minérales qu'au moyen d'un ensemble outil électroportatif et système d'aspiration reconnu comme permettant de respecter les seuils limites d'exposition en vigueur.** Pour plus de détails, rendez-vous sur <http://www.bosch-professional.com/dust>.
- N'utilisez jamais l'aspirateur dans des pièces ou locaux présentant des risques d'explosion.
- Pour que la capacité d'aspiration soit maximale, le flexible d'aspiration (13) doit être déroulé complètement de son support de fixation (27).

**Mise en marche/arrêt**

Pour **mettre en marche** l'aspirateur, actionnez brièvement la touche Marche/Arrêt (3).

Pour **arrêter** l'aspirateur, actionnez à nouveau la touche Marche/Arrêt (3).

Pour des raisons de sécurité, l'aspirateur ne se met pas en marche quand la touche Marche/Arrêt (3) est actionnée pendant plus de 5 s.

**Aspiration à sec**

**Aspiration des poussières produites par les outils électroportatifs pendant leur utilisation (voir figure G)**

► **Au cas où l'air sortant de l'appareil est directement rejeté dans la pièce, il est impératif de veiller à un taux de renouvellement d'air suffisant dans la pièce. Respectez les réglementations nationales en vigueur.**

- Montez l'adaptateur d'aspiration (14) ou le coude d'aspiration (15) (voir « Montage de l'adaptateur d'aspiration ou du coude d'aspiration (voir figure D) », Page 18).
- Reliez l'adaptateur d'aspiration (14) ou le coude d'aspiration (15) au raccord d'aspiration de l'outil électroportatif.

Uniquement en cas d'utilisation de l'adaptateur d'aspiration (14) :

**Remarque :** Lors d'une utilisation avec des outils électroportatifs caractérisés par une faible arrivée d'air dans le tuyau d'aspiration (scies sauteuses, ponceuses, etc.), il convient d'ouvrir l'orifice d'air parasite (32) de l'adaptateur d'aspiration (14). Cela améliore les performances d'aspiration de l'aspirateur et de l'outil électroportatif. Pour cela, tournez la bague recouvrant l'orifice d'air parasite (32), jusqu'à obtenir l'ouverture maximale.

**Aspiration de liquides**

► **N'utilisez pas cet aspirateur pour aspirer des liquides inflammables ou explosifs, tels que essence, huiles, alcool, solvants. N'aspirez pas de poussières très chaudes, incandescentes ou explosives. N'utilisez pas l'aspirateur dans des locaux à atmosphère explosive.**

Les poussières, vapeurs ou liquides risquent de s'enflammer ou d'exploser.

**Avant l'aspiration de liquides**

- Videz la cuve (1).
- Nettoyez le filtre (33) et insérez-le à nouveau dans l'aspirateur (voir « Nettoyage/remplacement du filtre (voir figures I1-I2) », Page 20).

L'aspirateur est doté d'un flotteur (34). L'aspirateur s'arrête dès que la hauteur de remplissage maximale est atteinte.

**Après l'aspiration de liquides**

- Videz le réservoir (1).
- Retirez l'eau présente dans le filtre (33).

**Après l'aspiration de liquides pour éviter l'apparition de moisissures**

- Retirez la partie supérieure de l'aspirateur (5) et faites-la bien sécher.

- Retirez le filtre (33) et laissez-le aussi bien sécher (voir « Nettoyage/remplacement du filtre (voir figures I1-I2) », Page 20).

**Entretien et Service après-vente****Maintenance et nettoyage**

- **Retirez l'accu avant de nettoyer l'aspirateur, d'effectuer des réglages, de changer d'accessoire ou de ranger l'aspirateur.** Cette mesure de précaution prévient toute mise en marche intempestive de l'aspirateur.
- **Toujours tenir propres l'outil électroportatif ainsi que les fentes de ventilation afin d'obtenir un travail impeccable et sûr.**
- **Portez un masque anti-poussières lors de la maintenance et du nettoyage de l'aspirateur.**

Nettoyez de temps en temps le carter de l'aspirateur avec un chiffon humide.

Nettoyez avec un chiffon sec les contacts de charge quand ils sont sales.

- **Ne nettoyez pas l'aspirateur à l'air comprimé.** Le filtre ou d'autres composants pourraient être endommagés.

Faites effectuer au moins une fois par an un contrôle technique du système d'aspiration (incluant notamment un contrôle de l'état du filtre, de l'étanchéité de l'aspirateur et du fonctionnement correct du dispositif de contrôle) par le fabricant ou par une personne qualifiée.

**Maintenance et nettoyage après l'aspiration de matières nocives pour la santé**

- Toutes les pièces qui sont entrées en contact avec des matières nocives pour la santé doivent être considérées comme étant contaminées.
- Aspirez, essuyez ou étanchez soigneusement l'extérieur de l'aspirateur avant de quitter un espace ou local contenant des matières nocives pour la santé.
- Ne procédez au nettoyage, au démontage et à la maintenance de l'aspirateur que si cela est sans danger pour vous et d'autres personnes. Portez des équipements de protection individuelle lors de tous les travaux de nettoyage et de maintenance. Effectuez les travaux dans un local bien aéré.
- Nettoyez l'extérieur de l'aspirateur avant de le démonter.
- Mettez au rebut (dans des sacs hermétiques) toutes les pièces de l'aspirateur impossibles à nettoyer correctement. Observez ce faisant la législation en vigueur concernant l'élimination de ce type de déchets.
- Nettoyez pour finir le poste de travail.

**Nettoyage du réservoir (voir figures H1-H2)**

Pour que l'aspirateur conserve sa capacité d'aspiration maximale, nettoyez le réservoir (1) après chaque utilisation.


- Ouvrez les deux fermetures (2) et relevez la partie supérieure de l'aspirateur (5).
- Secouez le réservoir (1) au-dessus d'un conteneur à déchets approprié.

- Si nécessaire, nettoyez le réservoir avec un chiffon humide.  
Si nécessaire, nettoyez le filtre (voir « Nettoyage/remplacement du filtre (voir figures 11–12) », Page 20).
- Remettez en place la partie supérieure de l'aspirateur (5) et fermez les fermetures (2).

#### Nettoyage/remplacement du filtre (voir figures 11–12)

Le pouvoir aspirant dépend l'état du filtre. Il est donc important de nettoyer régulièrement le filtre.

Remplacez le filtre dès qu'il est endommagé.

- Ouvrez les deux fermetures (2) et relevez la partie supérieure de l'aspirateur (5).
- Tournez le filtre (33) jusqu'en butée dans le sens  et retirez-le de son support (35).
- Séchage du filtre :  
Tapotez le filtre (33) contre le bord d'un conteneur à déchets approprié. Veillez à ne pas endommager les lamelles du filtre pendant cette opération.  
Pour conserver le pouvoir aspirant maximal, brossez les lamelles du filtre avec une brosse souple.


ou

Filtre à liquides :

Rincez le filtre (33) sous l'eau courante et laissez-le bien sécher.

ou

Remplacez le filtre (33) s'il est endommagé.

- Positionnez le filtre (33) sur son support (35) et tournez-le jusqu'en butée dans le sens .
- Remettez en place la partie supérieure de l'aspirateur (5) et fermez les fermetures (2).  
Assurez-vous que les fermetures s'enclenchent correctement.

#### Dérangements

Au cas où le pouvoir aspirant est insuffisant, contrôlez les points suivants :

- La cuve (1) est-elle pleine ?  
▷ (voir « Nettoyage du réservoir (voir figures H1–H2) », Page 19).
- Le filtre (33) est-il encrassé ?  
▷ (voir « Nettoyage/remplacement du filtre (voir figures 11–12) », Page 20).
- La batterie est-elle trop faible ?  
▷ Rechargez la batterie.

Un vidage régulier de la cuve (1) et un nettoyage régulier du filtre (33) permettent de toujours disposer de la puissance d'aspiration maximale.

Si la puissance d'aspiration est ensuite encore anormalement faible, adressez-vous au service après-vente **Bosch**.

#### Rangement (voir figure J)

- Insérez les tubes d'aspiration (18) dans les fixations (25).
- Emboîtez le suceur droit (16) dans un tube d'aspiration (18).
- Logez le suceur pour sols (17) dans la fixation (27).

- Enroulez en commençant par le bas le tuyau d'aspiration (13) autour du support de fixation (27) et fixez la boucle de maintien (36).
- Ne portez l'aspirateur que par la poignée (6) ou au niveau de la sangle de transport (pas fournie).
- Rangez l'aspirateur dans un local sec et assurez-vous qu'il ne puisse pas être utilisé par une personne non autorisée.

#### Service après-vente et conseil utilisateurs

Notre Service après-vente répond à vos questions concernant la réparation et l'entretien de votre produit et les pièces de rechange. Vous trouverez des vues éclatées et des informations sur les pièces de rechange sur le site :

[www.bosch-pt.com](http://www.bosch-pt.com)

L'équipe de conseil utilisateurs Bosch se tient à votre disposition pour répondre à vos questions concernant nos produits et leurs accessoires.

Pour toute demande de renseignement ou toute commande de pièces de rechange, précisez impérativement la référence à 10 chiffres figurant sur l'étiquette signalétique du produit.

#### Maroc

Robert Bosch Morocco SARL  
53, Rue Lieutenant Mahroud Mohamed  
20300 Casablanca  
Tel. : +212 5 29 31 43 27  
E-Mail : [sav.outillage@ma.bosch.com](mailto:sav.outillage@ma.bosch.com)

#### Vous trouverez d'autres adresses du service après-vente sous :

[www.bosch-pt.com/serviceaddresses](http://www.bosch-pt.com/serviceaddresses)

#### Transport

Les batteries Lithium-ion recommandées sont soumises à la réglementation relative au transport de matières dangereuses. Pour le transport sur route par l'utilisateur, aucune autre mesure n'a besoin d'être prise.

Lors d'une expédition par un tiers (par ex. transport aérien ou entreprise de transport), des exigences spécifiques doivent être respectées concernant l'emballage et le marquage. Pour la préparation de l'envoi, faites-vous conseiller par un expert en transport de matières dangereuses.

N'expédiez que des accus dont le boîtier n'est pas endommagé. Recouvrez les contacts non protégés et emballez l'accu de manière à ce qu'il ne puisse pas se déplacer dans l'emballage. Veuillez également respecter les réglementations supplémentaires éventuellement en vigueur.

#### Élimination des déchets



Prière de rapporter l'aspirateur, les accus et les emballages dans un Centre de recyclage respectueux de l'environnement.



Ne jetez pas l'aspirateur ou les accus/piles avec les ordures ménagères !

**Accus/piles :**

**Li-Ion :**

Veillez respecter les indications se trouvant dans le chapitre Transport (voir « Transport », Page 20).

## Português

### Instruções de segurança para aspiradores



Leia todas as instruções de segurança e instruções. A inobservância das instruções de segurança e das instruções pode causar choque elétrico, incêndio e/ou ferimentos graves.

graves.

Guarde bem todas as advertências e instruções para futura referência.

► **Este aspirador não se destina a ser utilizado por crianças e pessoas com capacidades físicas, sensoriais ou mentais reduzidas ou com experiência e conhecimentos insuficientes.** Caso contrário há perigo de operação errada e ferimentos.

► **Vigie as crianças.** Desta forma garante que nenhuma criança brinca com o aspirador.

► **Respeite todas as normas de segurança para as substâncias a aspirar.**

► **Não aspire pó de madeira de faia ou de carvalho ou asbesto. O pó de pedra só pode ser aspirado juntamente com sistemas de aspiração que estejam explicitamente aprovados para a utilização com GAS 18V-10 L da Bosch.** Estas substâncias são consideradas cancerígenas.

#### **⚠ AVISO**

Use o aspirador apenas se tiver recebido informações suficientes

para o uso, para os materiais a aspirar e para a eliminação segura dos mesmos. Uma instrução cuidadosa reduz as operações erradas e lesões.

#### **⚠ AVISO**

O aspirador é apropriado para aspirar substâncias secas e,

através de medidas apropriadas, também para aspirar líquidos. A entrada de líquidos aumenta o risco de choque elétrico.

► **Com o aspirador não devem ser aspirados líquidos inflamáveis ou explosivos, como por exemplo gasolina, óleo, álcool, solventes. Não aspire pós quentes, ardentes ou explosivos. Não opere o aspirador em áreas com risco de explosão.** Os pós, os vapores ou os líquidos podem inflamar ou explodir.

#### **⚠ AVISO**

Desligue imediatamente o aspirador assim que sair espuma

ou água e esvazie o recipiente. Caso contrário, é possível que o aspirador seja danificado.

► **ATENÇÃO! O aspirador só deve ser armazenado em recintos fechados.**

► **ATENÇÃO! Limpe regularmente o flutuador e verifique se apresenta danos.** Caso contrário a função pode ser prejudicada.

► **Assegurar uma boa ventilação no local de trabalho.**

► **Mande reparar o aspirador por pessoas qualificadas com peças de substituição originais.** Desta forma é assegurada a segurança do aspirador.

#### **⚠ AVISO**

O aspirador contém pó prejudicial para a saúde. Mande executar os

processos de esvaziamento e manutenção, incluindo a eliminação do recipiente coletor do pó, exclusivamente por técnicos especializados. É necessário um equipamento de proteção adequado. Não use o aspirador sem o sistema de filtro completo e bem colocado. Caso contrário estará a pôr em risco a sua saúde.

► **Antes da colocação em funcionamento, controle o estado impecável da mangueira de aspiração. Deixe a mangueira de aspiração montada no aspirador para não sair inadvertidamente pó.** Caso contrário, poderá inalar o pó.

► **Não limpe o aspirador com um jato de água direto.** A infiltração de água na parte superior do aspirador aumenta o risco de um choque elétrico.

► **Não abrir o acumulador.** Há risco de um curto-circuito.

► **Em caso de danos e de utilização incorreta da bateria, podem escapar vapores. A bateria pode incendiar-se ou explodir.** Areje o espaço e procure assistência médica no caso de apresentar queixas. É possível que os vapores irrite as vias respiratórias.

► **No caso de utilização incorreta ou bateria danificada pode vazar líquido inflamável da bateria. Evitar o contacto. No caso de um contacto accidental, deverá enxaguar com água. Se o líquido entrar em contacto com os olhos, também deverá consultar um médico.** Líquido que sai da bateria pode levar a irritações da pele ou a queimaduras.

► **Os objetos afiados como, p. ex., pregos ou chaves de fendas, assim como o efeito de forças externas podem danificar o acumulador.** Podem causar um curto-circuito interno e o acumulador pode ficar queimado, deitar fumo, explodir ou sobreaquecer.

► **Manter o acumulador que não está sendo utilizado afastado de cliques, moedas, chaves, parafusos ou outros pequenos objetos metálicos que possam**

**causar um curto-circuito dos contactos.** Um curto-circuito entre os contactos do acumulador pode ter como consequência queimaduras ou fogo.

- ▶ **Utilize a bateria apenas em produtos do fabricante.** Só assim é que a bateria é protegida contra sobrecarga perigosa.
- ▶ **Só carregar baterias em carregadores recomendados pelo fabricante.** Há perigo de incêndio se um carregador, apropriado para um determinado tipo de baterias, for utilizado para carregar baterias de outros tipos.



**Proteger a bateria contra calor, p. ex. também contra uma permanente radiação solar, fogo, sujidade, água e humidade.** Há risco de explosão ou de um curto-circuito.



- ▶ **Não trabalhe com o aspirador, se o estiver a usar com o cinto de transporte.** Pode ficar enrolado no cinto de transporte durante a aspiração e cair.
- ▶ **Utilize o cinto de transporte exclusivamente em combinação com o aspirador.**

## Símbolos

Os seguintes símbolos podem ser importantes para a utilização do seu aspirador. Os símbolos e os seus significados devem ser memorizados. A correta interpretação dos símbolos ajuda-o a utilizar o aspirador melhor e com mais segurança.

### Símbolos e seus significados



**AVISO! Leia todas as instruções de segurança e instruções.** A inobservância das instruções de segurança e das instruções pode causar choque elétrico, incêndio e/ou ferimentos graves.



Aspirador da classe de pó L segundo IEC/EN 60335-2-69 para **aspirar a seco** pós prejudiciais para a saúde com valor limite de exposição > 1 mg/m<sup>3</sup>



**AVISO! O aspirador contém pó prejudicial para a saúde. Mandar executar os processos de esvaziamento e manutenção, incluindo a eliminação do recipiente coletor do pó, exclusivamente por técnicos especializados. É necessário um equipamento de proteção adequado. Não use o aspirador sem o sistema de filtro completo e bem colocado.** Caso contrário estará a pôr em risco a sua saúde.

## Descrição do produto e do serviço

Respeite as figuras na parte da frente do manual de instruções.

## Utilização adequada

O aspirador destina-se a detetar, aspirar, transportar e separar pó seco não inflamável, líquidos não inflamáveis e uma mistura de água e ar. O aspirador foi testado contra pó e corresponde à classe de pó L. É adequado para as elevadas exigências na utilização profissional, p. ex. nas artes e ofícios, na indústria e nas oficinas.

Os aspiradores da classe de pó L segundo IEC/EN 60335-2-69 destinam-se apenas a aspirar pós não prejudiciais para a saúde com um valor-limite de exposição > 1 mg/m<sup>3</sup>.

Use o aspirador carregador apenas se souber avaliar e usar todas as funções sem limitações e se tiver recebido instruções suficientes sobre as mesmas.

### Rotational Airflow

O sistema de filtro sem saco economiza a utilização de sacos do pó. A sujidade é recolhida na parede interior do recipiente.

## Componentes ilustrados

A numeração dos componentes ilustrados refere-se à apresentação do aspirador na página de esquemas.

- (1) Depósito
- (2) Fecho para o lado superior do aspirador
- (3) Tecla de ligar/desligar
- (4) Indicador do nível de carga da bateria
- (5) Parte superior do aspirador
- (6) Pega de transporte
- (7) Encaixe para suporte da mangueira de aspiração/bocal para chão
- (8) Fixação da mangueira
- (9) Olhais de fixação
- (10) Encaixe para o suporte do tubo de aspiração/bocal para juntas
- (11) Tecla de desbloqueio da tampa do compartimento da bateria
- (12) Tampa do compartimento para da bateria
- (13) Mangueira de aspiração
- (14) Adaptador de aspiração
- (15) Bico dobrado
- (16) Bocal para juntas
- (17) Bocal para chão
- (18) Tubo de aspiração
- (19) Compartimento para a bateria
- (20) Bateria<sup>a)</sup>
- (21) Tecla de desbloqueio da bateria<sup>a)</sup>
- (22) Parafusos de fixação
- (23) Painel de proteção visual
- (24) Suporte da tampa do compartimento da bateria
- (25) Suporte para tubo de aspiração e bocal para juntas
- (26) Parafuso de fixação para suporte (27)

- (27) Suporte para mangueira de aspiração e bocal para chão
- (28) Botão de pressão
- (29) Cinto de transporte<sup>a)</sup>
- (30) Rolo<sup>a)</sup>
- (31) Encaixe do rolo
- (32) Saída de ar complementar
- (33) Filtro
- (34) Flutuador
- (35) Suporte do filtro
- (36) Laço de suporte da mangueira de aspiração

a) **Este acessório não faz parte do material a fornecer padrão.**

### Dados técnicos

Aspirador universal sem fio	GAS 18V-10 L	
Número de produto		<b>3 601 JC6 3..</b>
Tensão	V	18
Potência nominal absorvida	W	260
Capacidade do depósito (bruto)	l	10
Volume líquido (líquido)	l	6
Vácuo máx. <sup>A)</sup>		
– Aspirador <sup>B)</sup>	hPa	90
– Turbina	hPa	115
Fluxo máx. <sup>A)</sup>		
– Aspirador <sup>B)</sup>	l/s m <sup>3</sup> /h	24 86
– Turbina	l/s m <sup>3</sup> /h	34 122
Duração de funcionamento por carga da bateria	min/Ah	4
Classe de pó		L
Peso conforme EPTA-Procedure 01:2014	kg	5,1–6,1 <sup>C)</sup>
Tipo de proteção		IPX4
Temperatura ambiente recomendada durante o carregamento	°C	0 ... +35
Temperatura ambiente admissível em funcionamento <sup>D)</sup> e durante o armazenamento	°C	–20 ... +50
Baterias recomendadas		GBA 18V... ProCORE18V...

Aspirador universal sem fio	GAS 18V-10 L	
Carregadores recomendados		GAL 18... GAX 18... GAL 36...

- A) Medido a 20–25 °C com bateria **GBA 18V 6.3Ah**.
- B) medido com mangueira de aspiração **(13)** e bico curvo **(15)**
- C) dependendo da bateria utilizada
- D) Potência limitada com temperaturas <0 °C

Os valores podem variar em função do produto e estar sujeitos a condições de aplicação e do meio ambiente. Para mais informações consulte [www.bosch-professional.com/wac](http://www.bosch-professional.com/wac).

### Informação sobre ruídos/vibrações

Os valores de emissão de ruído foram determinados de acordo com **EN 60335-2-69**.

O nível de pressão sonora avaliado como A do aspirador é normalmente **79 dB(A)**. Incerteza K = **2 dB**. O nível sonoro durante os trabalhos pode ultrapassar os valores indicados.

#### Utilizar proteção auditiva!

Valores totais de vibração  $a_h$  (soma dos vetores das três direções) e incerteza K determinada segundo

#### EN 60335-2-69:

$a_h < 2,5 \text{ m/s}^2$ ,  $K = 1,5 \text{ m/s}^2$ .

## Bateria

**Bosch** vende aspiradores sem fio também sem bateria. Pode consultar na embalagem se está incluída uma bateria no volume de fornecimento do seu aspirador.

### Carregar a bateria

► **Utilize apenas os carregadores listados nos dados técnicos.** Só estes carregadores são apropriados para as baterias de íons de lítio utilizadas para o seu aspirador.

**Nota:** devido a normas de transporte internacionais, as baterias de lítio são fornecidas parcialmente carregadas. Para assegurar a completa potência da bateria, a bateria deverá ser carregada completamente antes da primeira utilização.

### Colocação/remoção da bateria (ver figuras A1–A2)

#### ► Não exercer força ao inserir o acumulador.

O acumulador foi construído de forma a só poder ser encaixado no produto na posição correta.

► Mantenha o compartimento da bateria e o alojamento da bateria sempre limpos e secos para trabalhar de forma segura.

- Pressione a tecla de desbloqueio **(11)** para abrir a tampa do compartimento da bateria **(12)**.
- Coloque a bateria **(20)** no respetivo alojamento **(19)**, ela tem de encaixar de forma audível (clic).
- Para retirar a bateria **(20)** pressione a tecla de desbloqueio **(21)** puxe pela bateria e retire-a do alojamento **(19)**.
- Feche a tampa do compartimento da bateria **(12)**.

### Substituir a tampa do compartimento da bateria (ver figuras A3–A5)

Se desejar utilizar uma bateria ProCORE18V 12Ah, a tampa do compartimento da bateria (12) já não pode ser fechada. A tampa do compartimento da bateria (12) pode ser substituída por um painel de proteção visual (23) concebido para este caso.

Em ambiente húmido ou molhado, o aspirador só pode ser utilizado com a tampa do compartimento da bateria fechada.

### Desmontar a tampa do compartimento da bateria (ver figura A3)

Retire a bateria (20) do respetivo alojamento (19).

Retire os dois parafusos de fixação (22) (ST4×12) com uma chave de fenda em cruz PH1 e remova a tampa do compartimento da bateria (12).

### Colocar o painel de proteção visual (ver figura A4)

Empurre o suporte (24) da tampa do compartimento da bateria para baixo e insira o painel de proteção visual (23).

### Retirar o painel de proteção visual (ver figura A5)

Coloque uma chave de fenda em cruz, desloque o painel de proteção visual (23) um pouco para trás e retire o painel de proteção visual. Ao fazê-lo, pressione o suporte (24) da tampa do compartimento da bateria para baixo.

### Indicador do nível de carga da bateria

Com a bateria colocada pode visualizar o nível de carga no indicador do nível de carga da bateria (4) do aspirador, com a bateria retirada visualiza na própria bateria.

### Indicador do nível de carga da bateria no aspirador

Depois de ligar o aspirador, acendem-se 5 LED verdes do indicador do nível de carga da bateria (4) individualmente de forma ascendente e descendente. A seguir os LEDs indicam o nível de carga da bateria (20).

### Indicador do nível de carga da bateria na bateria

Se a bateria for retirada do aspirador, é possível visualizar o nível de carga através dos LEDs verdes no indicador do nível de carga da bateria.

Prima a tecla para o indicador do nível de carga da bateria ou para visualizar o nível de carga.

Se, depois de premir a tecla para o indicador do nível de carga da bateria, não se acender qualquer LED, a bateria tem defeito e tem de ser substituída.

Nota: Nem todos os tipos de bateria dispõem de um indicador do nível de carga de bateria.

### Tipo de bateria GBA 18V...



LEDs	Capacidade
Luz permanente 3 × verde	60–100 %
Luz permanente 2 × verde	30–60 %
Luz permanente 1 × verde	5–30 %

LEDs	Capacidade
Luz intermitente 1 × verde	0–5 %

### Tipo de bateria ProCORE18V...



LEDs	Capacidade
Luz permanente 5 × verde	80–100 %
Luz permanente 4 × verde	60–80 %
Luz permanente 3 × verde	40–60 %
Luz permanente 2 × verde	20–40 %
Luz permanente 1 × verde	5–20 %
Luz intermitente 1 × verde	0–5 %

### Indicações sobre o manuseio ideal da bateria

Proteger a bateria contra humidade e água.

Armazene a bateria apenas na faixa de temperatura de –20 °C a 50 °C. Por exemplo, não deixe a bateria dentro do automóvel no verão.

Limpar de vez em quando as aberturas de ventilação da bateria com um pincel macio, limpo e seco.

Um tempo de funcionamento reduzido após o carregamento indica que a bateria está gasta e que deve ser substituída.

Observe as indicações sobre a eliminação de forma ecológica.

## Montagem

- **Retire o acumulador antes de efetuar trabalhos de limpeza ou manutenção, ajustes no aparelho, troca de acessórios ou de armazenar o aspirador.** Esta medida de prevenção evita um arranque inadvertido do aspirador.

### Montar os suportes para os acessórios de aspiração (ver figura B)

- Coloque o suporte (25) para o tubo de aspiração e o bocal para juntas a partir de cima no encaixe previsto (10), até ficar engatado.
- Coloque o suporte (27) para a mangueira de aspiração e o bocal para chão a partir de cima no encaixe previsto (7) e aperte o parafuso de fixação (26).

### Montar a mangueira de aspiração (ver figura C)

- Insira a mangueira de aspiração (13) no encaixe de mangueiras (8), até os dois botões de pressão (28) da mangueira de aspiração engatarem.

**Nota:** Ao aspirar, forma-se carga eletrostática, através da fricção do pó na mangueira e nos acessórios de aspiração, que é perceptível ao utilizador na forma de descarga estática (dependente das influências ambientais e da sensibilidade do corpo).



## Montar acessórios de aspiração

A mangueira de aspiração (13) está equipada com um sistema de clipe, com o qual podem ser conectados acessórios de aspiração (adaptador de aspiração (14), bico dobrado (15)).

### Montar adaptador de aspiração ou bico dobrado (ver figura D)

Insira o adaptador de aspiração (14) ou o bico dobrado (15) na mangueira de aspiração (13), até os dois botões de pressão (28) da mangueira de aspiração engatarem de forma audível.

Para desmontar, pressione os botões de pressão (28) para dentro e separe os componentes.

### Montar bocais e tubos

- Insira os tubos de aspiração (18) bem um no outro e depois no bico curvo (15).
- Insira o bocal para chão (17) ou o bocal para juntas (16) no tubo de aspiração (18) ou no bico curvo (15).

### Fixar cinto de transporte (acessório) (ver figura E)

- ▶ **O cinto de transporte só é indicado para o transporte e fixação do aspirador!**

Encaixe o mosquetão do cinto de transporte (29) nos Olhais de fixação (9) do aspirador.

### Montar os rolos (acessório) (ver figura F)

Encaixe os pinos de fixação 4 dos rolos (30) nos encaixes dos rolos (31), até engatarem de forma audível.

Também podem ser utilizados outros rolos segundo a norma EN 12529 (diâmetro do pino de fixação 1.1 mm).

- ▶ **Verifique se os travões dos rolos estão funcionais, antes de utilizar o aspirador.**

## Funcionamento

- ▶ **Retire o acumulador antes de efetuar trabalhos de limpeza ou manutenção, ajustes no aparelho, troca de acessórios ou de armazenar o aspirador.** Esta medida de prevenção evita um arranque inadvertido do aspirador.
- ▶ **Mantenha o raio de ação limpo e arrumado para evitar o perigo de tropeçar.**

### Colocação em funcionamento

- ▶ **O aspirador não pode ser usado sem filtro.**
- ▶ **Utilize apenas filtros não danificados (sem fissuras, sem furos etc.). Substitua imediatamente um filtro danificado.**
- ▶ **Antes de aspirar, certifique-se de que a unidade de filtragem está bem montada.**
- ▶ **Antes de aspirar, certifique-se de que a tampa do compartimento de baterias está bem fechada.**

- ▶ **Por favor informe-se a respeito das regras/leis vigentes no seu país, para o manuseio de pós nocivos à saúde.**
- ▶ **Aspire o pó de pedra apenas com combinações explicitamente designadas de ferramenta elétrica e sistema de aspiração, para as quais foi provado que os valores limite legais não foram atingidos.** Pode encontrar os comprovativos em <http://www.bosch-professional.com/dust>.

O aspirador não deve ser utilizado em recintos com perigo de explosão.

Para garantir um poder de aspiração ideal, tem de desenrolar por completo a mangueira de aspiração (13) do respetivo suporte (27).

### Ligar/desligar

Para **ligar** o aspirador, prima a tecla de ligar/desligar (3).

Para **desligar** o aspirador, prima novamente a tecla de ligar/desligar (3).

Por motivos de segurança, o aspirador não se liga se a tecla de ligar/desligar (3) for premida durante mais de 5 s.

### Aspirar a seco

#### Aspiração do pó que se forma de ferramentas elétricas em funcionamento (ver figura G)

- ▶ **Deve haver uma taxa de permuta de ar suficiente no recinto, quando o ar de descarga retorna ao recinto. Observe as respetivas diretivas nacionais.**
- Monte o adaptador de aspiração (14) ou o bico curvo (15) (ver "Montar adaptador de aspiração ou bico dobrado (ver figura D)", Página 25).
- Insira o adaptador de aspiração (14) ou o bico curvo (15) no bocal de aspiração da ferramenta elétrica.

Somente na utilização do adaptador de aspiração (14):

**Nota:** Ao trabalhar com ferramentas elétricas, cuja alimentação de ar na mangueira de aspiração seja reduzida (p. ex. serras verticais, lixadeiras, etc.), tem de ser aberta a abertura de ar complementar (32) do adaptador de aspiração (14). Desta forma é melhorado o rendimento total do aspirador e da ferramenta elétrica. Para tal, rode o anel sobre a saída de ar complementar (32), até obter a abertura máxima.

### Aspirar em molhado

- ▶ **Com o aspirador não devem ser aspirados líquidos inflamáveis ou explosivos, como por exemplo gasolina, óleo, álcool, solventes. Não aspire pós quentes, ardentes ou explosivos. Não opere o aspirador em áreas com risco de explosão.** Os pós, os vapores ou os líquidos podem inflamar ou explodir.

#### Antes de aspirar em molhado

- Esvazie o recipiente (1).
- Limpe o filtro (33) e volte a colocá-lo no aspirador (ver "Limpar/substituir filtro (ver figuras 11–12)", Página 26).

O aspirador está equipado com um flutuador **(34)**. Se for atingida a altura de enchimento máxima, a aspiração para.

#### Após de cada aspiração em molhado

- Esvazie o recipiente **(1)**.
- Esvazie a água do filtro **(33)**.

#### Depois de aspirar em molhado para evitar a formação de bolor

- Retire a parte de cima do aspirador **(5)** e deixe secar bem.
- Retire o filtro **(33)** e deixe secar bem também (ver "Limpar/substituir filtro (ver figuras **I1-I2**)", Página 26).

## Manutenção e assistência técnica

### Manutenção e limpeza

- ▶ **Retire o acumulador antes de efetuar trabalhos de limpeza ou manutenção, ajustes no aparelho, troca de acessórios ou de armazenar o aspirador.** Esta medida de prevenção evita um arranque inadvertido do aspirador.
- ▶ **Manter o aspirador e as aberturas de ventilação sempre limpas, para trabalhar bem e de forma segura.**
- ▶ **Use uma máscara de proteção durante a manutenção e limpeza do aspirador.**

De tempos a tempos, limpe a carcaça do aspirador com um pano húmido.

Limpe os contactos de carga sujos com um pano seco.

- ▶ **Não limpe o aspirador com ar comprimido.** O filtro ou outros componentes podem ficar danificados.

No mínimo uma vez por ano deve ser realizado um controlo técnico de pó, pelo fabricante ou por uma pessoa devidamente instruída (p. ex. verificar se há danos no filtro, controlar a estanqueidade do aspirador e o bom funcionamento dos dispositivos de controlo).

#### Limpeza e manutenção após a aspiração de substâncias prejudiciais à saúde

- Considere todas as peças que possam ter entrado em contacto com substâncias prejudiciais à saúde como contaminadas.
- Aspire, limpe ou vede minuciosamente o exterior do aspirador antes de o retirar da área com substâncias prejudiciais à saúde.
- Limpe, desmonte e faça a manutenção do aspirador apenas se não representar perigo para si e para outras pessoas. Use equipamento de proteção individual durante a manutenção e limpeza. Efetue os trabalhos num espaço bem ventilado.
- Limpe primeiro o exterior do aspirador antes de o desmontar.
- Elimine todas as peças do aspirador que não possam ser limpas satisfatoriamente em sacos impermeáveis. No processo, observe os regulamentos aplicáveis para a eliminação desses resíduos.

- Limpe a área de manutenção após a conclusão dos trabalhos.

#### Limpar recipiente (ver figuras **H1-H2**)



Limpe o recipiente **(1)** após cada utilização, para atingir a capacidade ideal do aspirador.

- Abra os fechos **(2)** e retire a parte superior do aspirador **(5)**.
- Agite o recipiente **(1)** sobre um caixote de lixo apropriado.
- Se necessário, limpe o recipiente de pó com um pano húmido.
- Se necessário, limpe o filtro (ver "Limpar/substituir filtro (ver figuras **I1-I2**)", Página 26).
- Coloque novamente a parte superior do filtro **(5)** e feche os fechos **(2)**.

#### Limpar/substituir filtro (ver figuras **I1-I2**)

O poder de aspiração depende do estado do filtro. Por isso, limpe-o com regularidade.

Substitua imediatamente um filtro danificado.

- Abra os fechos **(2)** e retire a parte superior do aspirador **(5)**.
- Rode o filtro **(33)** até ao batente no sentido de rotação  e retire-o do suporte do filtro **(35)**.
- Secar filtro:  
Sacuda o filtro **(33)** sobre um caixote de lixo apropriado. Tenha atenção para não danificar as lamelas do filtro. Para obter o máximo poder de aspiração, escove as lamelas do filtro com uma escova macia.
- ou  
Filtro molhado:  
Lave o filtro **(33)** sob água corrente e depois deixe-o secar bem.
- ou  
Substitua o filtro **(33)** danificado.
- Coloque o filtro **(33)** sobre o respetivo suporte **(35)** e rode-o até ao batente no sentido de rotação .
- Coloque novamente a parte superior do filtro **(5)** e feche os fechos **(2)**.  
Certifique-se de que os fechos engatam corretamente.

#### Avarias

Se a potência de aspiração for insuficiente deverá controlar:

- O recipiente **(1)** está cheio?  
▷ (ver "Limpar recipiente (ver figuras **H1-H2**)", Página 26).
- O filtro **(33)** ficou tapado com pó?  
▷ (ver "Limpar/substituir filtro (ver figuras **I1-I2**)", Página 26).
- A capacidade da bateria está muito fraca?  
▷ Carregue a bateria.

Esvaziar regularmente o recipiente **(1)** e limpar o filtro **(33)** garantem um poder de aspiração ideal.

Se a seguir não é atingido o poder de aspiração, dirija-se a um posto de assistência técnica **Bosch**.

**Armazenamento (ver figura J)**

- Insira os tubos de aspiração (18) nos suportes (25).
- Insira o bocal para juntas (16) num tubo de aspiração (18).
- Insira o bocal para chão (17) no suporte (27).
- Enrole a mangueira de aspiração (13) a partir de baixo à volta do suporte (27) e fixe o laço de suporte (36).
- Transporte o aspirador apenas pela pega de transporte (6) ou pelo cinto de transporte (se existente).
- Deposite o aspirador num recinto seco e proteja-o contra utilização não autorizada.

**Serviço pós-venda e aconselhamento**

O serviço pós-venda responde às suas perguntas a respeito de serviços de reparação e de manutenção do seu produto, assim como das peças sobressalentes. Desenhos explodidos e informações acerca das peças sobressalentes também em: [www.bosch-pt.com](http://www.bosch-pt.com)

A nossa equipa de consultores Bosch esclarece com prazer todas as suas dúvidas a respeito dos nossos produtos e acessórios.

Indique para todas as questões e encomendas de peças sobressalentes a referência de 10 dígitos de acordo com a placa de características do produto.

**Brasil**

Robert Bosch Ltda. – Divisão de Ferramentas Elétricas  
Rodovia Anhanguera, Km 98 - Parque Via Norte  
13065-900, CP 1195  
Campinas, São Paulo  
Tel.: 0800 7045 446  
[www.bosch.com.br/contato](http://www.bosch.com.br/contato)

**Encontra outros endereços da assistência técnica em:**

[www.bosch-pt.com/serviceaddresses](http://www.bosch-pt.com/serviceaddresses)

**Transporte**

As baterias de íões de lítio recomendadas estão sujeitas ao direito de materiais perigosos. As baterias podem ser transportadas na rua pelo utilizador, sem mais obrigações. Na expedição por terceiros (por ex.: transporte aéreo ou expedição), devem ser observadas as especiais exigências quanto à embalagem e à designação. Neste caso é necessário consultar um especialista de materiais perigosos ao preparar a peça a ser trabalhada.

Só enviar baterias se a carcaça não estiver danificada. Colar contactos abertos e embalar a bateria de modo que não possa se movimentar dentro da embalagem. Por favor observe também eventuais diretivas nacionais suplementares.

**Eliminação**

O aspirador, as baterias, os acessórios e as embalagens devem ser enviados a uma reciclagem ecológica de matéria-prima.



Não deite o aspirador e as baterias/pilhas no lixo doméstico!

**Baterias/pilhas:****Lítio:**

Observar as indicações no capítulo Transporte (ver "Transporte", Página 27).

**Español****Indicaciones de seguridad para aspiradores**

**Lea íntegramente estas indicaciones de seguridad e instrucciones.** Las faltas de observación de las indicaciones de seguridad y de las instrucciones pueden causar descargas eléctricas, incendios y/o lesiones graves.

**Guardar todas las advertencias de peligro e instrucciones para futuras consultas.**

► **Este aspirador no está previsto para la utilización por niños y personas con limitadas capacidades físicas, sensoriales o intelectuales o con falta de experiencia y conocimientos.** En caso contrario, existe el peligro de un manejo erróneo y lesiones.

► **Vigile los niños.** Así se asegura, que los niños no jueguen con el aspirador.

► **Observe todas las normas de seguridad relativas a los materiales que se van a aspirar.**

► **No aspire polvo de madera de haya o roble o asbesto. El polvo de piedra sólo debe aspirarse en combinación con sistemas de aspiración que estén explícitamente aprobados para su uso con GAS 18V-10 L por Bosch.**

Estas sustancias son cancerígenas.

**⚠ ADVERTENCIA**

**Utilice el aspirador solamente si ha recibido suficiente información para el uso del aspirador, sobre las**

**sustancias que deben ser absorbidas y para su eliminación segura.** Una instrucción exhaustiva reduce el riesgo de un manejo incorrecto y lesión.

**⚠ ADVERTENCIA**

**El aspirador es adecuado para aspirar sustancias secas y con medidas adecuadas también para aspirar líquidos.** La penetración de líquidos aumenta el riesgo de una descarga eléctrica.

- ▶ **No utilice la aspiradora para aspirar líquidos inflamables o explosivos, como gasolina, aceite, alcohol o disolventes. No aspire polvos calientes, ardientes o explosivos. No opere la aspiradora en ámbitos con riesgo de explosión.** El material en polvo, los vapores o los líquidos pueden incendiarse o explotar.

**⚠ ADVERTENCIA**

**Apague inmediatamente el aspirador, tan pronto como se escape la espuma o el agua y vacíe el recipiente.** En caso contrario podría dañarse el aspirador.

- ▶ **¡ATENCIÓN! El aspirador solo debe guardarse en espacios interiores.**
- ▶ **¡ATENCIÓN! Limpie el flotador periódicamente y verifique si está dañado.** De lo contrario, la función puede verse afectada.
- ▶ **Observe que esté bien ventilado el puesto de trabajo.**
- ▶ **Sólo deje reparar el aspirador por personal técnico calificado y sólo con repuestos originales.** Con ello se mantiene la seguridad del aspirador.

**⚠ ADVERTENCIA**

**El aspirador contiene polvo nocivo. Deje que las operaciones de vaciado y mantenimiento, incluida la extracción de los colectores de polvo, se lleven a cabo sólo por personal calificado. Se requiere un equipo de protección apropiado. No opere el aspirador sin el sistema de filtro completo y correctamente colocado.** De lo contrario ello podría afectar a su salud.

- ▶ **Antes de la puesta en servicio, verifique el perfecto estado de la manguera de aspiración. Al hacerlo, deje montada la manguera de aspiración en el aspirador para que el polvo no se escape involuntariamente.** En caso contrario podría llegar Ud. a inspirar polvo.
- ▶ **No limpie el aspirador con un chorro de agua directo.** Puede exponerse a una descarga eléctrica si penetra agua en la parte superior del aspirador.
- ▶ **No intente abrir el acumulador.** Podría provocar un cortocircuito.
- ▶ **En caso de daño y uso inapropiado del acumulador pueden emanar vapores. El acumulador se puede quemar o explotar.** En tal caso, busque un entorno con aire fresco y acuda a un médico si nota molestias. Los vapores pueden llegar a irritar las vías respiratorias.
- ▶ **En el caso de una aplicación incorrecta o con un acumulador dañado puede salir líquido inflamable del acumulador. Evite el contacto con él. En caso de un contacto accidental enjuague con abundante agua. En caso de un contacto del líquido con los ojos recurra además inmediatamente a un médico.** El líquido del acumulador puede irritar la piel o producir quemaduras.
- ▶ **Mediante objetos puntiagudos, como p. ej. clavos o destornilladores, o por influjo de fuerza exterior se**

**puede dañar el acumulador.** Se puede generar un cortocircuito interno y el acumulador puede arder, humear, explotar o sobrecalentarse.

- ▶ **Si no utiliza el acumulador, guárdelo separado de clips, monedas, llaves, clavos, tornillos o demás objetos metálicos que pudieran puentear sus contactos.** El cortocircuito de los contactos del acumulador puede causar quemaduras o un incendio.
- ▶ **Utilice el acumulador sólo en productos del fabricante.** Solamente así queda protegido el acumulador contra una sobrecarga peligrosa.
- ▶ **Cargue los acumuladores sólo con cargadores recomendados por el fabricante.** Existe el riesgo de incendio al intentar cargar acumuladores de un tipo diferente al previsto para el cargador.



**Proteja la batería del calor excesivo, además de, p. ej., una exposición prolongada al sol, la suciedad, el fuego, el agua o la humedad.** Existe riesgo de explosión y cortocircuito.



- ▶ **No trabaje con el aspirador cuando lo transporte con la correa.** Al aspirar, puede quedar atrapado con la correa de transporte y caer.
- ▶ **Utilice únicamente la correa de transporte junto con el aspirador.**

## Símbolos

Los símbolos mostrados a continuación pueden ser de importancia en el uso del aspirador. Es importante que retenga en su memoria estos símbolos y su significado. La interpretación correcta de estos símbolos le ayudará a manejar mejor, y de forma más segura, el aspirador.

### Simbología y su significado



**¡ADVERTENCIA! Lea íntegramente estas indicaciones de seguridad e instrucciones.** Las faltas de observación de las indicaciones de seguridad y de las instrucciones pueden causar descargas eléctricas, incendios y/o lesiones graves.



Aspirador de polvo clase L según IEC/EN 60335-2-69 para **aspirar en seco** polvos nocivos con un valor límite de exposición de  $> 1 \text{ mg/m}^3$



**¡ADVERTENCIA! El aspirador contiene polvo nocivo. Deje que las operaciones de vaciado y mantenimiento, incluida la extracción de los colectores de polvo, se lleven a cabo sólo por personal calificado. Se requiere un equipo de protección apropiado. No opere el aspirador sin el sistema de filtro completo y correctamente colocado.** De lo contrario ello podría afectar a su salud.

## Descripción del producto y servicio

Por favor, observe las ilustraciones en la parte inicial de las instrucciones de servicio.

### Utilización reglamentaria

El aspirador está determinado para captar, aspirar, impulsar y separar polvos secos no inflamables, líquidos no inflamables y una mezcla de agua y aire. El aspirador ha sido ensayado en cuanto a sus propiedades técnicas para la aspiración de polvo, y corresponde a la categoría de polvo L. El aspirador es apropiado para las elevadas solicitaciones en el uso industrial, p. ej. en la artesanía, la industria y en los talleres. Aspiradores de polvo clase L según IEC/EN 60335-2-69 sólo se pueden utilizar para la absorción y aspiración de polvos nocivos con un valor límite de exposición de  $> 1 \text{ mg/m}^3$ .

Únicamente utilice el aspirador si conoce y domina por completo todas sus funciones, o si ha sido instruido al respecto.

### Rotational Airflow (flujo de aire rotacional)

El sistema de filtro sin bolsa ahorra la utilización de bolsas para polvos. La suciedad se recoge en la pared interior del depósito.

### Componentes representados

La numeración de los componentes está referida a la representación del aspirador en las páginas ilustradas.

- (1) Depósito
- (2) Cierre de la parte superior del aspirador
- (3) Tecla de conexión/desconexión
- (4) Indicador del estado de carga del acumulador
- (5) Parte superior del aspirador
- (6) Asa de transporte
- (7) Alojamiento para el soporte de la manguera de aspiración / boquilla para suelo
- (8) Boquilla de conexión
- (9) Ojete de fijación
- (10) Alojamiento para soporte de tubo de aspiración / boquilla para ranuras
- (11) Tecla de desenclavamiento de la tapa del compartimiento del acumulador
- (12) Tapa del compartimiento del acumulador
- (13) Manguera de aspiración
- (14) Adaptador de aspiración
- (15) Boquilla encorvada
- (16) Boquilla para ranuras
- (17) Boquilla para suelo
- (18) Tubo de aspiración
- (19) Alojamiento del acumulador
- (20) Acumulador<sup>a)</sup>
- (21) Tecla de desenclavamiento del acumulador<sup>a)</sup>
- (22) Tornillos de sujeción

- (23) Moldura óptica
- (24) Soporte de la tapa del compartimiento del acumulador
- (25) Soporte para tubo de aspiración y boquilla para ranuras
- (26) Tornillo de fijación para soporte (27)
- (27) Soporte para manguera de aspiración y boquilla para suelo
- (28) Pulsador
- (29) Correa de transporte<sup>a)</sup>
- (30) Rodillo de deslizamiento<sup>a)</sup>
- (31) Soporte de rodillo de deslizamiento
- (32) Abertura de aire
- (33) Filtro
- (34) Flotador
- (35) Soporte del filtro
- (36) Asidero de la manguera de aspiración

a) Este accesorio no están incluido en el volumen de suministro estándar.

### Datos técnicos

Acumulador del aspirador en húmedo y seco	GAS 18V-10 L	
Número de artículo		<b>3 601 JC6 3..</b>
Tensión	V	18
Potencia absorbida nominal	W	260
Volumen del depósito (bruto)	l	10
Volumen neto (líquido)	l	6
Depresión máx. <sup>A)</sup>		
- Aspirador <sup>B)</sup>	hPa	90
- Turbina	hPa	115
Caudal máx. <sup>A)</sup>		
- Aspirador <sup>B)</sup>	l/s m <sup>3</sup> /h	24 86
- Turbina	l/s m <sup>3</sup> /h	34 122
Duración del servicio por carga de acumulador	min/Ah	4
Clase de polvo		L
Peso según EPTA-Procedure 01:2014	kg	5,1-6,1 <sup>C)</sup>
Grado de protección		IPX4
Temperatura ambiente recomendada durante la carga	°C	0 ... +35
Temperatura ambiente permitida durante el funcionamiento <sup>D)</sup> y en el almacenamiento	°C	-20 ... +50
Acumuladores recomendados		GBA 18V... ProCORE18V...

**Acumulador del aspirador en húmedo y seco** **GAS 18V-10 L**

Cargadores recomendados	GAL 18... GAX 18... GAL 36...
-------------------------	-------------------------------------

- A) Medido a 20–25 °C con acumulador **GBA 18V 6.3Ah**.  
 B) medido con manguera de aspiración **(13)** y boquilla encorvada **(15)**.  
 C) depende de la batería utilizada.  
 D) Potencia limitada a temperaturas < 0 °C

Los valores pueden variar dependiendo del producto y están sujetos a la aplicación y a las condiciones medioambientales. Más información en [www.bosch-professional.com/wac](http://www.bosch-professional.com/wac).

**Información sobre ruidos y vibraciones**

Valores de emisión de ruidos determinados según **EN 60335-2-69**.

El nivel de presión acústica valorado con A del aspirador asciende típicamente a menos de **79 dB(A)**. Inseguridad K = **2 dB**. El nivel de ruidos durante el trabajo puede sobrepasar los valores indicados. **¡Utilice protección para los oídos!**

Valores totales de vibración  $a_h$  (suma vectorial de tres direcciones) e inseguridad K determinada según **EN 60335-2-69**:

$$a_h < 2,5 \text{ m/s}^2, K = 1,5 \text{ m/s}^2.$$

**Acumulador**

**Bosch** también vende aspiradores sin acumulador. En el embalaje puede ver si se incluye un acumulador en el volumen de suministro de su aspirador.

**Carga del acumulador**

- **Utilice únicamente los cargadores que se enumeran en los datos técnicos.** Solamente estos cargadores han sido especialmente adaptados a los acumuladores de iones de litio empleados en su aspirador.

**Indicación:** Los acumuladores de iones de litio se entregan parcialmente cargados debido a la normativa de transporte internacional. Con el fin de obtener la plena potencia del acumulador, cargue completamente el acumulador antes de su primer uso.

**Montaje y desmontaje del acumulador (ver figuras A1–A2)**

- **No proceda con brusquedad al insertar el acumulador.** El acumulador ha sido diseñado de manera que solo se pueda montar en el producto en la posición correcta.
- Mantenga siempre limpio y seco el alojamiento y el compartimiento del acumulador para trabajar con eficacia y seguridad.
  - Presione la tecla de desenganche **(11)** para abrir la tapa del compartimiento del acumulador **(12)**.
  - Desplace el acumulador **(20)** en el alojamiento del acumulador **(19)**, hasta que encastre de forma audible.

- Para extraer el acumulador **(20)** presione la tecla de desenganche **(21)** en el acumulador y retírelo del alojamiento **(19)**.
- Cierre la tapa del compartimiento del acumulador **(12)**.

**Sustitución de la tapa del compartimiento del acumulador (ver figuras A3–A5)**

Si desea utilizar un acumulador ProCORE18V 12Ah, entonces la tapa del compartimiento del acumulador **(12)** ya no se puede cerrar. La tapa del compartimiento del acumulador **(12)** puede ser reemplazada por una moldura óptica **(23)** diseñada para este caso.

En ambientes húmedos o mojados, el aspirador sólo se debe utilizar con la tapa del compartimiento del acumulador cerrada.

**Desmontaje de la tapa del compartimiento del acumulador (ver figura A3)**

Retire el acumulador **(20)** del alojamiento del acumulador **(19)**.

Retire los dos tornillos de fijación **(22)** (ST4×12) con un destornillador de estrella PH1 y desmonte la tapa del compartimiento del acumulador **(12)**.

**Montaje de la moldura óptica (ver figura A4)**

Presione el soporte **(24)** de la tapa del compartimiento del acumulador hacia abajo e inserte la moldura óptica **(23)**.

**Desmontaje de la moldura óptica (ver figura A5)**

Aplice un destornillador para tornillos ranurados, empuje la moldura óptica **(23)** ligeramente hacia atrás y retire la moldura óptica. En ello, presione el soporte **(24)** de la tapa del compartimiento del acumulador hacia abajo.

**Indicador del estado de carga del acumulador**



Con el acumulador colocado, el estado de carga lo puede ver en el indicador de estado de carga del acumulador **(4)** y, con el acumulador desmontado, lo puede ver en el propio acumulador.

**Indicador del estado de carga del acumulador en el aspirador**

Después de conectar el aspirador, los 5 LEDs verdes en el indicador de estado de carga del acumulador **(4)** se encienden un por uno de modo ascendente y descendente. A continuación, los LEDs muestran el estado de carga del acumulador **(20)**.

**Indicador del estado de carga del acumulador en el acumulador**

Si se retira el acumulador del aspirador, se puede ver el estado de carga a través de los LEDs verdes del indicador del estado de carga del acumulador.

Presione la tecla del indicador de estado de carga  o , para indicar el estado de carga.

Si tras presionar la tecla del indicador de estado de carga no se enciende ningún LED, significa que el acumulador está defectuoso y debe sustituirse.

Indicación: No cada tipo de acumulador dispone de un indicador de estado de carga.

#### Tipo de acumulador GBA 18V...



LEDs	Capacidad
Luz permanente 3 × verde	60–100 %
Luz permanente 2 × verde	30–60 %
Luz permanente 1 × verde	5–30 %
Luz intermitente 1 × verde	0–5 %

#### Tipo de acumulador ProCORE18V...



LEDs	Capacidad
Luz permanente 5 × verde	80–100 %
Luz permanente 4 × verde	60–80 %
Luz permanente 3 × verde	40–60 %
Luz permanente 2 × verde	20–40 %
Luz permanente 1 × verde	5–20 %
Luz intermitente 1 × verde	0–5 %

### Indicaciones para el trato óptimo del acumulador

Proteja el acumulador de la humedad y del agua.

Únicamente almacene el acumulador en el margen de temperatura desde -20 °C hasta 50 °C. P.ej., no deje el acumulador en el coche en verano.

Limpie de vez en cuando las rejillas de refrigeración del acumulador con un pincel suave, limpio y seco.

Si después de una recarga, el tiempo de funcionamiento del acumulador fuese muy reducido, ello es señal de que éste está agotado y deberá sustituirse.

Observe las indicaciones referentes a la eliminación.

## Montaje

- **Retire el acumulador antes de realizar tareas de mantenimiento o limpieza en el aspirador, ajustes del aparato, cambiar accesorios o guardar el aspirador.** Esta medida preventiva reduce el riesgo de conectar accidentalmente el aspirador.

### Montar los soportes para los accesorios de aspiración (ver figura B)

- Asegure el soporte (25) para el tubo de aspiración y la boquilla para ranuras desplazándolo desde arriba en el alojamiento previsto para ello (10), hasta que encastre.
- Asegure el soporte (27) para la manguera de aspiración y la boquilla para suelo desplazándolo desde arriba en el alojamiento previsto para ello (7) y apriete firmemente el tornillo de fijación (26).

### Montar la manguera de aspiración (ver figura C)

- Coloque la manguera de aspiración (13) en el alojamiento de la manguera (8), hasta que encastran los dos botones (28) de la manguera de aspiración.

**Indicación:** Durante la aspiración se genera una carga electrostática por la fricción del polvo en la manguera y en los accesorios de aspiración, la cual la puede sentir el usuario en forma de una descarga estática (en función de las influencias del medio ambiente y la sensibilidad física).

### Montar los accesorios de aspiración

La manguera de aspiración (13) está equipada con un sistema de clip, con el cual se pueden empalmar los accesorios de aspiración (adaptador para aspiración (14), boquilla encorvada (15)).

#### Montar el adaptador para aspiración o la boquilla encorvada (ver figura D)

Coloque el adaptador para aspiración (14) o la boquilla encorvada (15) sobre la manguera de aspiración (13), hasta que encastran perceptiblemente los dos botones de presión (28) de la manguera de aspiración.

Para el desmontaje, oprima los botones de presión (28) hacia el interior y separe los componentes.

#### Montar las boquillas y los tubos

- En caso de necesidad, inserte los tubos de aspiración (18) firmemente uno dentro del otro y luego también firmemente sobre la boquilla encorvada (15).
- Coloque la boquilla para suelo (17) o la boquilla para ranuras (16) firmemente sobre el tubo de aspiración (18) o la boquilla encorvada (15).

### Fijación de la correa de transporte (acesorio) (ver figura E)

- **¡La correa de transporte sólo sirve para transportar y fijar el aspirador!**

Inserte los ganchos de mosquetón de la correa de transporte (29) en los ojales de fijación (9) del aspirador.

### Montaje de los rodillos de deslizamiento (accesorios) (ver figura F)

Inserte los 4 pasadores de fijación de los rodillos de deslizamiento (30) en los alojamientos correspondientes (31), hasta que encastran de forma audible.

Se pueden utilizar también otros rodillos de deslizamiento según norma EN 12529 (diámetro de pasador de fijación 11 mm).

- **Compruebe la capacidad de funcionamiento de los frenos de rodillo antes de utilizar el aspirador.**

## Operación

- **Retire el acumulador antes de realizar tareas de mantenimiento o limpieza en el aspirador, ajustes del aparato, cambiar accesorios o guardar el aspirador.** Esta

medida preventiva reduce el riesgo de conectar accidentalmente el aspirador.

- ▶ **Preste atención a una zona de trabajo limpia y ordenada respecto al peligro de tropezón.**

### Puesta en marcha

- ▶ **El aspirador no se debe utilizar sin filtro.**
- ▶ **Use sólo un filtro sin daños (sin fisuras, sin agujeros pequeños, etc.). Cambie inmediatamente un filtro dañado.**
- ▶ **Antes de comenzar con la aspiración, asegúrese que la unidad de filtro esté correctamente montada.**
- ▶ **Asegúrese antes de realizar la aspiración, que la tapa del compartimiento del acumulador esté correctamente cerrada.**
- ▶ **Infórmese sobre las regulaciones/legislación vigentes en su país relativas a la manipulación de materiales en polvo nocivos para la salud.**
- ▶ **Solamente aspire el polvo de piedra con combinaciones explícitamente indicadas de herramienta eléctrica y sistema de aspiración, para las cuales se ha comprobado que no se exceden los valores límite legales.** Las comprobaciones se encuentran en <http://www.bosch-professional.com/dust>.

En ningún caso deberá utilizarse el aspirador en recintos con peligro de explosión.

A fin de garantizar una potencia óptima de aspiración, la manguera de aspiración (13) debe desenrollarse siempre completamente del soporte de la manguera de aspiración (27).

### Conexión/desconexión

Para **conectar** el aspirador presione brevemente la tecla de conexión/desconexión (3).

Para **desconectar** el aspirador presione de nuevo la tecla de conexión/desconexión (3).

El aspirador no se conecta, si se oprime la tecla de conexión/desconexión (3) durante más de 5 segundos por motivos de seguridad.

### Aspiración en seco

**Aspiración de los polvos generados por herramientas eléctricas en funcionamiento (ver figura G)**

- ▶ **La tasa de renovación de aire en el cuarto deberá ser suficiente, si el aire de salida es expulsado en el cuarto. Observe las prescripciones legales nacionales al respecto.**
- Monte el adaptador para aspiración (14) o la boquilla encorvada (15) (ver "Montar el adaptador para aspiración o la boquilla encorvada (ver figura D)", Página 31).
- Coloque el adaptador de aspiración (14) o la boquilla encorvada (15) en el racor de aspiración de la herramienta eléctrica.

Solamente en el caso de la utilización del adaptador de aspiración (14):

**Indicación:** Al trabajar con herramientas eléctricas, cuya entrada de aire hacia la manguera de aspiración es pequeña (p.ej. sierra de calar, amoladoras, etc.), se debe abrir la abertura para aire infiltrado (32) del adaptador de aspiración (14). Así se mejora el rendimiento total del aspirador y de la herramienta eléctrica. Gire para ello el anillo sobre la abertura para aire infiltrado (32), hasta que se obtenga una abertura máxima.

### Aspiración en húmedo

- ▶ **No utilice la aspiradora para aspirar líquidos inflamables o explosivos, como gasolina, aceite, alcohol o disolventes. No aspire polvos calientes, ardientes o explosivos. No opere la aspiradora en ámbitos con riesgo de explosión.** El material en polvo, los vapores o los líquidos pueden incendiarse o explotar.

#### Antes de la aspiración en húmedo

- Vacíe el depósito (1).
- Limpie el filtro (33) y vuelva a colocarlo en el aspirador (ver "Limpiar/cambiar el filtro (ver figuras I1-I2)", Página 33).

El aspirador está equipado con un flotador (34). Si se alcanza la máxima altura de llenado, se detiene la aspiración.

#### Tras cada aspiración en húmedo

- Descargue el depósito (1).
- Vacíe el agua del filtro (33).

#### Tras la aspiración en húmedo para la prevención de crecimiento de moho

- Desmonte la parte superior del aspirador (5) y déjela secar bien.
- Saque el filtro (33) y también déjelo secar bien (ver "Limpiar/cambiar el filtro (ver figuras I1-I2)", Página 33).

## Mantenimiento y servicio

### Mantenimiento y limpieza

- ▶ **Retire el acumulador antes de realizar tareas de mantenimiento o limpieza en el aspirador, ajustes del aparato, cambiar accesorios o guardar el aspirador.** Esta medida preventiva reduce el riesgo de conectar accidentalmente el aspirador.
- ▶ **Siempre mantenga limpio el aspirador y las rejillas de ventilación para trabajar con eficacia y seguridad.**
- ▶ **Lleve una máscara protectora contra polvo en el mantenimiento y la limpieza del aspirador.**

Limpie la carcasa del aspirador de vez en cuando con un paño húmedo.

Limpie los contactos de carga sucios con un paño seco.

- ▶ **No limpie el aspirador con aire comprimido.** El filtro u otros componentes podrían resultar dañados.

Al menos una vez al año, el fabricante o una persona instruida debe realizar una inspección técnica del aspirador (p.ej., comprobar que los filtros no estén dañados, que no haya fu-



gas en el aspirador y que los dispositivos de control funcionen correctamente).

#### **Limpieza y mantenimiento después de aspirar sustancias perjudiciales para la salud**

- Considere contaminadas todas las piezas que puedan haber estado en contacto con sustancias perjudiciales para la salud.
- aspire, limpie o selle minuciosamente el exterior del aspirador antes de sacarlo de la zona con sustancias perjudiciales para la salud.
- Limpie, desmonte y realice el mantenimiento del aspirador sólo si puede hacerlo sin poner en peligro su vida o la de otras personas. Utilice un equipo de protección personal en los trabajos de mantenimiento y limpieza. Realice el trabajo en un espacio bien ventilado.
- Limpie primero el exterior del aspirador antes de desmontarlo.
- Elimine todas las piezas del aspirador que no puedan limpiarse satisfactoriamente en bolsas impermeables. Respete en ello las disposiciones vigentes para la eliminación de estos residuos.
- Limpie la zona de mantenimiento después de terminar el trabajo.

#### **Limpiar el depósito (ver figuras H1-H2)**


Limpie el depósito (1) tras cada uso, para mantener la capacidad de rendimiento óptima del aspirador.

- Abra los cierres (2) y retire la parte superior del aspirador (5).
- Sacuda el depósito (1) sobre un recipiente para desperdicios adecuado.
- En caso necesario, limpie el depósito con un paño húmedo.
- En caso necesario, limpie el filtro (ver "Limpiar/cambiar el filtro (ver figuras I1-I2)", Página 33).
- Coloque de nuevo la parte superior del aspirador (5) y asegure los cierres (2).

#### **Limpiar/cambiar el filtro (ver figuras I1-I2)**


La potencia de aspiración depende del estado del filtro. Por lo tanto, limpie con regularidad el filtro.

Cambie inmediatamente un filtro dañado.

- Abra los cierres (2) y retire la parte superior del aspirador (5).
- Gire el filtro (33) hasta el tope en sentido de giro  y quítelo del soporte del filtro (35).
- Filtro seco: sacuda el filtro (33) en un recipiente para desperdicios adecuado. Preste atención a que no se dañen las aletas del filtro.  
Para conservar la máxima fuerza de aspiración, cepille las aletas del filtro con un cepillo blando.
- *o*  
filtro húmedo: enjuague el filtro (33) bajo agua corriente y luego déjelo secar bien.

*o*

sustituya un filtro (33) dañado.

- Coloque el filtro (33) sobre el soporte del filtro (35) y gírelo hasta el tope en sentido de giro .
- Coloque de nuevo la parte superior del aspirador (5) y asegure los cierres (2).  
Asegúrese, que los cierres encastren correctamente.

#### **Fallos**

Si la reducción de la potencia de aspiración fuese notable:

- ¿Está lleno el depósito (1)?  
▷ (ver "Limpiar el depósito (ver figuras H1-H2)", Página 33).
- ¿Está el filtro (33) lleno de polvo?  
▷ (ver "Limpiar/cambiar el filtro (ver figuras I1-I2)", Página 33).
- ¿Es insuficiente la capacidad del acumulador?  
▷ Cargue el acumulador.

El vaciado del depósito (1) y la limpieza del filtro (33) con regularidad, garantizan una potencia óptima de aspiración. Si luego no se logra el rendimiento de aspiración, recurra al servicio postventa **Bosch**.

#### **Almacenaje (ver figura J)**

- Inserte los tubos de aspiración (18) en los soportes (25).
- Coloque la boquilla para ranuras (16) en un tubo de aspiración (18).
- Coloque la boquilla para suelo (17) en el soporte (27).
- Enrolle la manguera de aspiración (13) desde abajo alrededor del soporte (27) y fije el lazo de sujeción (36).
- Transporte el aspirador solamente por el asa (6) o la correa para transporte (si existe).
- Guarde el aspirador en una habitación seca y asegúralo contra el uso no autorizado.

#### **Servicio técnico y atención al cliente**

El servicio técnico le asesorará en las consultas que pueda Ud. tener sobre la reparación y mantenimiento de su producto, así como sobre piezas de recambio. Las representaciones gráficas tridimensionales e informaciones de repuestos se encuentran también bajo: **www.bosch-pt.com**

El equipo asesor de aplicaciones de Bosch le ayuda gustosamente en caso de preguntas sobre nuestros productos y sus accesorios.

Para cualquier consulta o pedido de piezas de repuesto es imprescindible indicar el nº de artículo de 10 dígitos que figura en la placa de características del producto.

#### **México**

Robert Bosch, S. de R.L. de C.V.  
Calle Robert Bosch No. 405  
C.P. 50071 Zona Industrial, Toluca – Estado de México  
Tel.: (52) 55 528430-62  
Tel.: 800 6271286  
www.boschherramientas.com.mx

**Direcciones de servicio adicionales se encuentran bajo:**  
www.bosch-pt.com/serviceaddresses

## Transporte

Los acumuladores de iones de litio recomendados están sujetos a los requerimientos de la ley de mercancías peligrosas. Los acumuladores pueden ser transportados por carretera por el usuario sin más imposiciones.

En el envío por terceros (p. ej., transporte aéreo o por agencia de transportes) deberán considerarse las exigencias especiales en cuanto a su embalaje e identificación. En este caso deberá recurrirse a los servicios de un experto en mercancías peligrosas al preparar la pieza para su envío.

Únicamente envíe acumuladores si su carcasa no está dañada. Si los contactos no van protegidos cúbralos con cinta adhesiva y embale el acumulador de manera que éste no se pueda mover dentro del embalaje. Observe también las prescripciones adicionales que pudieran existir al respecto en su país.

## Eliminación



El aspirador, los acumuladores, los accesorios y los embalajes deberán someterse a un proceso de recuperación que respete el medio ambiente.



¡No arroje el aspirador, los acumuladores o las pilas a la basura!

## Acumuladores/pilas: Iones de Litio:

Por favor, observe las indicaciones en el apartado Transporte (ver "Transporte", Página 34).

# NOM

El símbolo es solamente válido, si también se encuentra sobre la placa de características del producto/fabricado.

## Português do Brasil

### Indicações de segurança para aspiradores



**Ler todas as indicações de segurança e instruções.** O desrespeito das advertências e das instruções apresentadas abaixo pode causar choque elétrico, incêndio e/ou graves lesões.

**Guarde todas as indicações de segurança e as instruções para futuras consultas.**

► **Este aspirador não se destina a ser utilizado por crianças e pessoas**

**com capacidades físicas, sensoriais ou mentais limitadas ou com experiência e conhecimentos insuficientes.** Caso contrário, existe o perigo de utilização errada e ferimentos.

► **Vigie as crianças, para se assegurar que elas não brincam com o aspirador.**

► **Respeite todos os regulamentos de segurança para as substâncias a aspirar.**

► **Não aspire pó de madeira de faia ou de carvalho ou asbesto. O pó de pedra só pode ser aspirado juntamente com sistemas de aspiração que estejam explicitamente liberados para a utilização com GAS 18V-10 L da Bosch.** Essas substâncias são cancerígenas.

⚠ **AVISO** Use o aspirador apenas se você recebeu informações suficientes para o uso, para os materiais a aspirar e para a eliminação segura dos mesmos. Uma instrução cuidadosa reduz as operações erradas e lesões.

⚠ **AVISO** O aspirador é apropriado para aspirar substâncias secas e, através de medidas apropriadas, também para aspirar líquidos. A penetração de líquidos aumenta o risco de um choque elétrico.

► **Com o aspirador não devem ser aspirados líquidos inflamáveis ou explosivos, como por exemplo gasolina, óleo, álcool, solventes. Não aspire pós quentes ou inflamáveis ou explosivos. Não opere o aspirador em áreas com risco de explosão.** Os pós, vapores e líquidos podem inflamar e explodir.

⚠ **AVISO** Desligue imediatamente o aspirador assim que sair espuma ou água e esvazie o recipiente. Caso contrário, é possível que o aspirador seja danificado.

► **ATENÇÃO! O aspirador só deve ser armazenado em recintos fechados.**

► **ATENÇÃO! Limpe regularmente o flutuador e verifique se apresenta danos.** Caso contrário a função pode ser prejudicada.

► **Providencie uma boa ventilação no local de trabalho.**

► **Mande reparar o aspirador por pessoas qualificadas com peças de substituição originais.** Desta forma fica garantido que as características de segurança do aspirador não são alteradas.

⚠ **AVISO** O aspirador contém poeiras prejudiciais à saúde. Mande executar os processos de esvaziamento e manutenção, incluindo a eliminação do recipiente coletor do pó exclusivamente por técnicos especializados. É

**necessário um equipamento de proteção adequado. Não opere o aspirador sem o sistema de filtro completo e bem colocado.** Caso contrário, está prejudicando sua saúde.

- ▶ **Antes da colocação em funcionamento, controle o estado impecável da mangueira de aspiração. Deixe a mangueira de aspiração montada no aspirador para não sair inadvertidamente pó.** Caso contrário pode inspirar pó.
- ▶ **Não limpe o aspirador com um jato de água direto.** A infiltração de água na parte superior do aspirador aumenta o risco de um choque elétrico.
- ▶ **Não abra a bateria.** Existe perigo de curto-circuito.
- ▶ **Em caso de danos e de utilização incorreta da bateria, podem escapar vapores. A bateria pode incendiar-se ou explodir.** Arejar bem o local de trabalho e consultar um médico se forem constatados quaisquer sintomas. Os vapores podem irritar as vias respiratórias.
- ▶ **Em caso de uma utilização errada ou bateria danificada pode sair líquido inflamável da bateria. Evite o contato com o líquido. Em caso de contato inadvertido com o líquido lave com água. Se o líquido entrar em contato com os olhos procure adicionalmente ajuda médica.** O líquido que sai da bateria pode causar irritações na pele ou queimaduras.
- ▶ **A bateria pode ser danificada com objetos pontiagudos como p. ex. prego ou chave de parafusos ou devido à influência de força externa.** Pode ocorrer um curto-circuito interno e a bateria pode arder, deitar fumo, explodir ou sobreaquecer.
- ▶ **Mantenha a bateria longe de cliques de escritório, moedas, chaves, pregos, parafusos ou outros pequenos objetos de metal que possam pontear os contatos.** Um curto-circuito dos contatos da bateria pode causar queimaduras ou incêndio.
- ▶ **Utilize a bateria apenas em produtos do fabricante.** Só assim é que a bateria fica protegida contra sobrecarga perigosa.
- ▶ **Só carregue as baterias em carregadores recomendados pelo fabricante.** Existe perigo de incêndio se um carregador destinado a um tipo de bateria for usado para outro tipo de bateria.



**Proteja a bateria do calor, p. ex. radiação solar permanente, fogo, sujeira, água e umidade.** Há risco de explosão ou de um curto-circuito.



- ▶ **Não trabalhe com o aspirador, se estiver usando-o com o cinto de transporte.** Pode ficar enrolado no cinto de transporte durante a aspiração e cair.
- ▶ **Use o cinto de transporte exclusivamente em combinação com o aspirador.**

## Símbolos

Os seguintes símbolos podem ser importantes para a utilização do seu aspirador. Memorize os símbolos e o respetivo significado. A interpretação correta dos símbolos

ajuda você a usar melhor e de forma mais segura o aspirador.

### Símbolos e seus respetivos significados



**AVISO! Ler todas as indicações de segurança e instruções.** O desrespeito das indicações de segurança e das instruções apresentadas abaixo pode causar choque elétrico, incêndio e/ou graves lesões.



Aspirador da classe de pó L segundo IEC/EN 60335-2-69 para **aspirar a seco** pós prejudiciais para a saúde com valor limite de exposição > 1 mg/m<sup>3</sup>



**AVISO! O aspirador contém poeiras prejudiciais à saúde. Mandê executar os processos de esvaziamento e manutenção, incluindo a eliminação do recipiente coletor do pó exclusivamente por técnicos especializados. É necessário um equipamento de proteção adequado. Não opere o aspirador sem o sistema de filtro completo e bem colocado.** Caso contrário, está prejudicando sua saúde.

## Descrição e especificações do produto

Respeitar as ilustrações na parte da frente do manual de instruções.

### Utilização adequada

O aspirador destina-se a coletar, aspirar, transportar e separar pó seco não inflamável, líquidos não inflamáveis e misturas de água e ar. O aspirador foi testado contra pó e corresponde à classe de pó L. É adequado para as elevadas exigências da utilização profissional, p. ex. nas artes e ofícios, na indústria e nas oficinas.

Os aspiradores da classe de pó L segundo IEC/EN 60335-2-69 destinam-se apenas a aspirar pós prejudiciais para a saúde com um valor limite de exposição > 1 mg/m<sup>3</sup>.

Use o aspirador apenas se souber avaliar e usar todas as funções sem limitações e se tiver recebido instruções suficientes sobre as mesmas.

### Fluxo de Ar Rotacional

O sistema de filtro sem saco evita a utilização de sacos de pó. A sujeira é acumulada na parede interna do depósito.

### Componentes ilustrados

A numeração dos componentes ilustrados refere-se à apresentação do aspirador nas páginas de esquemas.

(1) Depósito

(2) Fecho para o lado superior do aspirador

- (3) Botão de ligar/desligar
- (4) Indicador do nível de carga da bateria
- (5) Parte superior do aspirador
- (6) Punho de transporte
- (7) Encaixe para suporte da mangueira de aspiração/  
bocal para chão
- (8) Suporte da mangueira
- (9) Olhais de fixação
- (10) Encaixe para suporte do tubo de aspiração/bocal  
para juntas
- (11) Botão de destravamento da tampa do  
compartimento da bateria
- (12) Tampa do compartimento da bateria
- (13) Mangueira de aspiração
- (14) Adaptador de aspiração
- (15) Bocal curvo
- (16) Bocal para juntas
- (17) Bocal para chão
- (18) Tubo de aspiração
- (19) Compartimento da bateria
- (20) Bateria<sup>a)</sup>
- (21) Botão de destravamento da bateria<sup>a)</sup>
- (22) Parafusos de fixação
- (23) Painel de proteção visual
- (24) Suporte da tampa do compartimento da bateria
- (25) Suporte para tubo de aspiração e bocal para juntas
- (26) Parafuso de fixação para suporte (27)
- (27) Suporte para mangueira de aspiração e bocal para  
chão
- (28) Botão de pressão
- (29) Cinto de transporte<sup>a)</sup>
- (30) Rolo<sup>a)</sup>
- (31) Encaixe do rolo
- (32) Abertura de reentrada do ar
- (33) Filtro
- (34) Flutuador
- (35) Suporte do filtro
- (36) Laço de suporte da mangueira de aspiração

a) **Este acessório não faz parte do volume de entrega padrão.**

### Dados técnicos

Aspirador universal sem fio	GAS 18V-10 L	
Número de produto		<b>3 601 JC6 3..</b>
Tensão	V	18
Potência nominal absorvida	W	260
Capacidade do depósito (bruta)	l	10
Volume líquido (líquido)	l	6
Vácuo máx. <sup>A)</sup>		

Aspirador universal sem fio	GAS 18V-10 L	
- Aspirador <sup>B)</sup>	hPa	90
- Turbina	hPa	115
Fluxo máx. <sup>A)</sup>		
- Aspirador <sup>B)</sup>	l/s m <sup>3</sup> /h	24 86
- Turbina	l/s m <sup>3</sup> /h	34 122
Período de funcionamento por carga da bateria	min/Ah	4
Classe de pó		L
Peso conforme EPTA-Procedure 01:2014	kg	5,1-6,1 <sup>C)</sup>
Tipo de proteção		IPX4
Temperatura ambiente recomendada ao carregar	°C	0 ... +35
Temperatura ambiente admissível durante o funcionamento <sup>D)</sup> e durante o armazenamento	°C	-20 ... +50
Baterias recomendadas		GBA 18V... ProCORE18V...
Carregadores recomendados		GAL 18... GAX 18... GAL 36...

A) Medido a 20–25 °C com bateria **GBA 18V 6.3Ah**.

B) medido com mangueira de aspiração (13) e bico curvo (15)

C) depende da bateria utilizada

D) potência limitada a temperaturas < 0 °C

Os valores podem variar em função do produto e estar sujeitos a condições de aplicação e do meio ambiente. Mais informações em [www.bosch-professional.com/wac](http://www.bosch-professional.com/wac).

### Informação sobre ruídos/vibrações

Os valores de emissão de ruído foram determinados de acordo com **EN 60335-2-69**.

Tipicamente o nível de pressão sonora ponderado em "A" da ferramenta elétrica é **79 dB(A)**. Incerteza K = **2 dB**. O nível de ruído durante os trabalhos pode ultrapassar os valores indicados. **Utilizar proteção auditiva!**

Valores totais de vibração  $a_h$  (soma dos vetores de três direções) e incerteza K determinada segundo **EN 60335-2-69**:

$a_h < 2,5 \text{ m/s}^2$ , K = 1,5  $\text{m/s}^2$ .

### Bateria

**Bosch** vende aspiradores sem fio também sem bateria. Pode consultar na embalagem se está incluída uma bateria no material a fornecer de seu aspirador.

## Carregar a bateria

- ▶ **Utilize somente os carregadores indicados nos dados técnicos.** Somente estes carregadores são adequados para a bateria de íons de lítio utilizada no seu aspirador.

**Nota:** as baterias de lítio são fornecidas parcialmente carregadas devido aos regulamentos internacionais relativos ao transporte. Para assegurar a capacidade máxima da bateria, carregue completamente a bateria antes da primeira utilização.

## Colocar e retirar a bateria (ver figuras A1–A2)

- ▶ **Não aplique força ao inserir a bateria.** A bateria foi desenvolvida de forma a poder ser inserida no produto apenas na posição correta.
- ▶ Mantenha o compartimento da bateria sempre limpo e seco, para trabalhar com qualidade e segurança.
  - Pressione o botão de destravamento (11) para abrir a tampa do compartimento da bateria (12).
  - Empurre a bateria (20) no compartimento da bateria (19), até engatar audivelmente.
  - Para retirar a bateria (20) pressione o botão de destravamento (21) na bateria e retire-a do respetivo compartimento (19).
  - Feche a tampa do compartimento da bateria (12).

## Substituir a tampa do compartimento da bateria (ver figuras A3–A5)

Se desejar utilizar uma bateria ProCORE18V 12Ah, a tampa do compartimento da bateria (12) já não pode ser fechada. Neste caso, a tampa do compartimento da bateria (12) pode ser substituída por um painel de proteção visual (23) concebido para esse efeito.

Em ambiente úmido ou molhado, o aspirador só pode ser utilizado com a tampa do compartimento da bateria fechada.

## Desmontar a tampa do compartimento da bateria (ver figura A3)

Retire a bateria (20) do compartimento da bateria (19). Retire os dois parafusos de fixação (22) (ST4×12) com uma chave de fenda em cruz PH1 e retire a tampa do compartimento da bateria (12).

## Colocar o painel de proteção visual (ver figura A4)

Pressione o suporte (24) da tampa do compartimento da bateria para baixo e encaixe o painel de proteção visual (23).

## Retirar o painel de proteção visual (ver figura A5)

Insira uma chave de fenda em cruz, desloque o painel de proteção visual (23) um pouco para trás e retire o painel de proteção visual. Ao fazê-lo, pressione o suporte (24) da tampa do compartimento da bateria para baixo.

## Indicador do nível de carga da bateria



Com a bateria colocada pode visualizar o nível de carga no indicador do nível de carga da bateria (4) do aspirador, com a bateria retirada visualiza na própria bateria.

## Indicador do nível de carga da bateria no aspirador

Depois de ligar o aspirador, os 5 LEDs verdes do indicador do nível de carga da bateria (4) acendem individualmente de forma ascendente e descendente. A seguir os LEDs indicam o nível de carga da bateria (20).

## Indicador do nível de carga da bateria na bateria

Se a bateria for retirada do aspirador, é possível visualizar o nível de carga através dos LEDs verdes no indicador do nível de carga da bateria.

Pressione a tecla para o indicador do nível de carga  ou  para exibir o nível de carga.

Se depois de pressionar a tecla para o indicador do nível de carga não acender nenhum LED, a bateria tem defeito ou tem de ser substituída.

**Nota:** Nem todos os tipos de bateria dispõem de um indicador do nível de carga de bateria.

## Tipo de bateria GBA 18V...



LEDs	Capacidade
Luz permanente 3 x verde	60–100 %
Luz permanente 2 x verde	30–60 %
Luz permanente 1 x verde	5–30 %
Luz intermitente 1 x verde	0–5 %

## Tipo de bateria ProCORE18V...



LEDs	Capacidade
Luz permanente 5 x verde	80–100 %
Luz permanente 4 x verde	60–80 %
Luz permanente 3 x verde	40–60 %
Luz permanente 2 x verde	20–40 %
Luz permanente 1 x verde	5–20 %
Luz intermitente 1 x verde	0–5 %

## Indicações para o manuseio ideal da bateria

Proteja a bateria de umidade e água.

Armazene a bateria apenas numa faixa de temperatura de –20 °C até 50 °C. Não deixe a bateria p. ex. dentro de um veículo no verão.

Limpe ocasionalmente as aberturas de ventilação da bateria com um pincel macio, limpo e seco.

Uma autonomia consideravelmente inferior após um carregamento, indica que a bateria está gasta e tem de ser substituída.

Observar a indicação sobre a eliminação de forma ecológica.

## Montagem

- ▶ **Retire a bateria antes de efetuar uma manutenção ou limpeza do aspirador, realizar ajustes no aparelho, trocar de acessório ou guardar o aspirador.** Esta medida de segurança evita a partida involuntária do aspirador.

### Montar os suportes para os acessórios de aspiração (ver figura B)

- Fixe o suporte (25) para o tubo de aspiração e o bocal para juntas deslizando-os por cima no encaixe (10) previsto para o efeito, até engatar.
- Fixe o suporte (27) para a mangueira de aspiração e o bocal para chão deslizando-os por cima no encaixe (7) previsto para o efeito e aperte o parafuso de fixação (26).

### Montar a mangueira de aspiração (ver figura C)

- Encaixe a mangueira de aspiração (13) no encaixe da mangueira (8), até os dois botões de pressão (28) da mangueira de aspiração engatarem.

**Nota:** Ao aspirar, ocorre, devido ao atrito na mangueira de aspiração e nos acessórios de aspiração, uma carga eletrostática, que o utilizador pode sentir em forma de descarga estática (dependendo das influências ambientais e das condições físicas).

### Montar os acessórios de aspiração

A mangueira de aspiração (13) está equipada com um sistema de clipe, com o qual podem ser conectados acessórios de aspiração (adaptador de aspiração (14), bocal curvo (15)).

### Montar o adaptador de aspiração ou o bocal curvo (ver figura D)

Insira o adaptador de aspiração (14) ou o bocal curvo (15) na mangueira de aspiração (13), até os dois botões de pressão (28) da mangueira de aspiração engatarem audivelmente.

Para desmontar é necessário pressionar os botões de pressão (28) para dentro e separar os componentes.

### Montar bocais e tubos

- Se necessário, encaixe bem os tubos de aspiração (18) um no outro e, a seguir, no bocal curvo (15).
- Encaixe bem o bocal para chão (17) ou o bocal para juntas (16) no tubo de aspiração (18) ou no bocal curvo (15).

### Fixar o cinto de transporte (acessório) (ver figura E)

- ▶ **O cinto de transporte destina-se exclusivamente a transportar e a fixar o aspirador!**

Encaixe o mosquetão do cinto de transporte (29) nos olhais de fixação (9) do aspirador.

### Montar os rolos (acessório) (ver figura F)

Encaixe os 4 pinos de fixação dos rolos (30) nos encaixes dos rolos (31), até engatarem audivelmente.

Também podem ser utilizados outros rolos de acordo com a norma EN 12529 (diâmetro do pino de fixação 1.1 mm).

- ▶ **Verifique a funcionalidade das travas dos rolos, antes de utilizar o aspirador.**

## Funcionamento

- ▶ **Retire a bateria antes de efetuar uma manutenção ou limpeza do aspirador, realizar ajustes no aparelho, trocar de acessório ou guardar o aspirador.** Esta medida de segurança evita a partida involuntária do aspirador.
- ▶ **Mantenha o local de trabalho limpo e arrumado para evitar o perigo de tropeçar.**

### Colocando em funcionamento

- ▶ **O aspirador não pode ser utilizado sem filtro.**
- ▶ **Use apenas um filtro sem danos (sem fissuras, sem furos, etc.). Substitua de imediato um filtro danificado.**
- ▶ **Antes de aspirar, garanta que a unidade do filtro está bem montada.**
- ▶ **Antes de aspirar, garanta que a tampa do compartimento da tampa está bem fechada.**
- ▶ **Saiba mais sobre os regulamentos/leis aplicáveis sobre o manuseio de pós perigosos em seu país.**
- ▶ **Aspire pó de pedra apenas com combinações expressamente indicadas de ferramenta elétrica e sistema de aspiração, para as quais tenha sido comprovado que não atingem os valores limite legais.**

Encontra os comprovativos em <http://www.bosch-professional.com/dust>.

O aspirador não deve ser utilizado em recintos com perigo de explosão.

Para assegurar uma potência de aspiração ideal, é necessário que a mangueira de aspiração (13) seja completamente desenrolada do suporte da mangueira de aspiração (27).

### Ligar e desligar

Para **ligar** o aspirador, pressione brevemente o botão de ligar/desligar (3).

Para **desligar** o aspirador, pressione novamente o botão de ligar/desligar (3).

Por motivos de segurança, o aspirador não liga se o botão de ligar/desligar (3) for pressionado por mais de 5 s.

## Aspirar a seco

**Aspiração de pó produzido durante o funcionamento de ferramentas elétricas (ver figura G)**

- ▶ **Deve haver uma taxa de permuta de ar suficiente no recinto quando o ar evacuado retorna ao recinto. Observe as respectivas diretrizes nacionais.**
  - Monte o adaptador de aspiração (14) ou o bocal curvo (15) (ver "Montar o adaptador de aspiração ou o bocal curvo (ver figura D)", Página 38).
  - Encaixe o adaptador de aspiração (14) ou o bocal curvo (15) no bocal de aspiração da ferramenta elétrica.

Apenas para utilização do adaptador de aspiração (14):

**Nota:** Ao trabalhar com ferramentas elétricas, cuja alimentação de ar na mangueira de aspiração é reduzida (p. ex. serras verticais, lixadeiras etc.), a abertura de ar complementar (32) do adaptador de aspiração (14) tem ser aberta. Dessa forma é melhorado o desempenho geral do aspirador e da ferramenta elétrica. Para tanto, rode o anel sobre a saída de ar complementar (32), até obter a abertura máxima.

## Aspirar líquidos

- ▶ **Com o aspirador não devem ser aspirados líquidos inflamáveis ou explosivos, como por exemplo gasolina, óleo, álcool, solventes. Não aspire pós quentes ou inflamáveis ou explosivos. Não opere o aspirador em áreas com risco de explosão.** Os pós, vapores e líquidos podem inflamar e explodir.

### Antes de aspirar líquidos

- Esvazie o depósito (1).
- Limpe o filtro (33) e introduza-o novamente no aspirador (ver "Limpar/trocar o filtro (ver figuras 11–12)", Página 39).

O aspirador está equipado com um flutuador (34). Se for atingida a altura de enchimento máxima, a aspiração para.

### Antes de cada aspiração de líquidos

- Esvazie o depósito (1).
- Escoe a água do filtro (33).

### Depois de aspirar líquidos para evitar a formação de bolor

- Retire a parte superior do aspirador (5) e deixe-a secar bem.
- Retire o filtro (33) e deixe também secar bem (ver "Limpar/trocar o filtro (ver figuras 11–12)", Página 39).

## Manutenção e serviço

### Manutenção e limpeza

- ▶ **Retire a bateria antes de efetuar uma manutenção ou limpeza do aspirador, realizar ajustes no aparelho, trocar de acessório ou guardar o aspirador.** Esta medida de segurança evita a partida involuntária do aspirador.

- ▶ **Mantenha o aspirador e as aberturas de ventilação limpas para trabalhar bem e de forma segura.**
- ▶ **Para a manutenção e limpeza do aspirador deve ser usada uma máscara de proteção contra pó.**

Limpe a caixa do aspirador de tempos a tempos com um pano úmido.

Limpe os contatos de carregamento sujos com um pano seco.

- ▶ **Não limpe o aspirador com ar comprimido.** O filtro ou outros componentes poderiam ficar danificados.

No mínimo uma vez por ano deve ser realizado um controle técnico de pó, pelo fabricante ou por uma pessoa devidamente instruída, para p. ex. verificar se há danos no filtro, e controlar a estanqueidade do aspirador e o bom funcionamento do dispositivo de controle).

### Limpeza e manutenção após a aspiração de substâncias prejudiciais à saúde

- Considere todas as peças que possam ter entrado em contato com substâncias prejudiciais à saúde como contaminadas.
- Aspire, limpe ou vede muito bem o exterior do aspirador, antes de o retirar da área com substâncias prejudiciais à saúde.
- Limpe, desmonte e faça a manutenção do aspirador apenas se tal for possível sem perigo para você e para outras pessoas. Use equipamento de proteção individual durante a manutenção e limpeza. Efetue os trabalhos em um espaço bem ventilado.
- Limpe primeiro o exterior do aspirador antes de o desmontar.
- Descarte todas as peças do aspirador que não possam ser limpas de forma satisfatória em sacos impermeáveis. Observe os regulamentos aplicáveis para a eliminação deste tipo de resíduos.
- Limpe a área de manutenção após a conclusão dos trabalhos.

### Limpar o depósito (ver figuras H1–H2)

Limpe o depósito (1) após cada utilização, para manter a funcionalidade ideal do aspirador.



- Abrir os fechos (2) e retirar a parte superior do aspirador (5).
- Agite o depósito (1) sobre um caixote de lixo apropriado.
- Se necessário, limpe o depósito com um pano úmido. Se necessário, limpe o filtro (ver "Limpar/trocar o filtro (ver figuras 11–12)", Página 39).
- Recoloque a parte superior do aspirador (5) e feche os fechos (2).

### Limpar/trocar o filtro (ver figuras 11–12)

A potência de aspiração depende do estado do filtro. Por isso, limpe regularmente o filtro.

Substitua imediatamente um filtro danificado.

- Abrir os fechos (2) e retirar a parte superior do aspirador (5).

- Rode o filtro **(33)** até o batente no sentido de rotação  e retire-o do suporte do filtro **(35)**.
- Secar o filtro:  
Bata levemente no filtro **(33)** sobre um caixote de lixo apropriado. Tenha atenção para não danificar as lamelas do filtro.  
Para manter a máxima força de aspiração, escove as lamelas do filtro com uma escova macia.  
*ou*  
Filtro molhado:  
Lave o filtro **(33)** sob água corrente e, a seguir, deixe secar bem.  
*ou*  
Substitua um filtro danificado **(33)**.
- Encaixe o filtro **(33)** sobre o suporte do filtro **(35)** e rode-o até o batente no sentido de rotação .
- Recoloque a parte superior do aspirador **(5)** e feche os fechos **(2)**.  
Garanta que as tampas encaixam bem.

#### Avarias

Em caso de potência de aspiração insuficiente, verifique:

- O depósito **(1)** está cheio?  
▷ (ver "Limpar o depósito (ver figuras H1–H2)", Página 39).
- O filtro **(33)** entupiu com pó?  
▷ (ver "Limpar/trocar o filtro (ver figuras I1–I2)", Página 39).
- A capacidade da bateria é demasiado fraca?  
▷ Carregue a bateria.

Esvaziar o depósito **(1)** e limpar o filtro **(33)** regularmente garante uma potência de aspiração ideal.  
Se a seguir o poder de aspiração não for alcançado, contate um posto de assistência técnica **Bosch**.

#### Armazenamento (ver figura J)

- Encaixe os tubos de aspiração **(18)** nos suportes **(25)**.
- Encaixe o bocal para juntas **(16)** em um tubo de aspiração **(18)**.
- Encaixe o bocal para chão **(17)** no suporte **(27)**.
- Enrole a mangueira de aspiração **(13)** por baixo em volta do suporte **(27)** e fixe o laço de suporte **(36)**.
- Transporte o aspirador apenas pelo punho de transporte **(6)** ou pelo cinto de transporte (caso exista).
- Depositar o aspirador em um recinto seco e proteja-o contra uso não-autorizado.

#### Serviço pós-venda e assistência ao cliente

O serviço pós-venda responde às suas perguntas a respeito de serviços de reparação e de manutenção do seu produto, assim como das peças sobressalentes. Desenhos explodidos e informações sobre peças sobressalentes também em:

[www.bosch-pt.com](http://www.bosch-pt.com)

A nossa equipe de consultores Bosch esclarece com prazer todas as suas dúvidas a respeito dos nossos produtos e acessórios.

Indique em todas as questões ou encomendas de peças sobressalentes impreterivelmente a referência de 10 dígitos de acordo com a placa de características do produto.

#### Brasil

Robert Bosch Ltda. – Divisão de Ferramentas Elétricas  
Rodovia Anhanguera, Km 98 - Parque Via Norte  
13065-900, CP 1195  
Campinas, São Paulo  
Tel.: 0800 7045 446  
[www.bosch.com.br/contato](http://www.bosch.com.br/contato)

**Encontre outros endereços da assistência técnica em:**  
[www.bosch-pt.com/serviceaddresses](http://www.bosch-pt.com/serviceaddresses)

#### Transporte

As baterias de lítio recomendadas estão em conformidade com os requisitos da regulamentação do transporte de mercadorias perigosas. As baterias podem ser transportadas pelo usuário nas vias públicas, sem nenhuma restrição.

No caso de envio através de terceiros (p. ex.: transporte aéreo ou transitário) é necessário respeitar os requisitos especiais para a embalagem e identificação. Neste caso, para a preparação da embalagem é necessário consultar um perito no transporte de mercadorias perigosas.

Só enviar baterias se a carcaça não estiver danificada. Colar contatos abertos e embalar a bateria de modo que não possa se movimentar dentro da embalagem. Por favor observe também eventuais diretrizes nacionais suplementares.

#### Descarte



Aspirador, baterias, acessórios e embalagens devem ser enviados a uma reciclagem ecológica de matérias-primas.



Não descarte o aspirador e as baterias/pilhas no lixo doméstico!

#### Baterias/pilhas:

##### Lítio:

Por favor, observe as instruções na seção de transporte (ver "Transporte", Página 40).

## 中文

### 吸尘器相关安全规章



请阅读所有的安全规章和指示。不遵照以下警告和说明会导致电击、着火和 / 或严重伤害。

应将所有安全规章和指示保存到将来。



▶ **儿童和身体、感官或精神上有缺陷或缺乏经验与知识的人员不得使用本吸尘器。** 否则会有误操作和人身伤害的危险。

▶ **请监督好儿童。** 以确保儿童不使用吸尘器玩耍。

▶ 遵守待抽吸物质的所有安全规定。

▶ 切勿抽吸榫木屑或橡木屑或石棉。只有在连接由Bosch专门许可用于GAS 18V-10 L的集尘系统时，才允许抽吸矿物性粉尘。这些物质可能致癌。

**警告！** 只有当您充分了解有关吸尘器使用、待抽吸的材料及其安全处理的情况下，才能使用吸尘器。详细的指导可以减少误操作及人身伤害。

**警告！** 本吸尘器适用于抽吸干燥物质，在采取相应措施的情况下也可以抽吸液体。液体渗入会增加触电风险。

▶ 切勿用吸尘器抽吸可燃或爆炸性液体，比如汽油、机油、酒精、溶剂。切勿抽取高温、燃烧的或爆炸性粉尘。切勿在易爆环境中使用吸尘器。上述粉尘、蒸汽或液体可能自然或爆炸。

**警告！** 一旦有泡沫或水溢出，请立即关闭吸尘器并清空。否则可能会损坏吸尘器。

▶ **注意！** 本吸尘器只能在室内保存。

▶ **注意！** 定期清洁浮标并检查是否受损。否则可能会影响功能。

▶ 要确保工作场所通风良好。

▶ 吸尘器只能由具有相应资质的专业人员用原厂配件进行维修。如此才能确保吸尘器的安全性能。

**警告！** 吸尘器内含有害粉尘。仅允许由专业人员执行清空和保养操作，包括清除集尘容器。要求使用相应的防护装备。切勿在过滤系统不完整和未仔细安装好的情况下使用集尘器。否则会危害身体健康。

▶ 调试前，检查集尘软管的状态是否正常。同时将集尘软管安装到集尘器上，以防粉尘意外溢出。否则您可能会吸入粉尘。

▶ 清洁吸尘器时，不可以把水柱直接瞄准吸尘器。雨水或湿气进入吸尘器上部件会增加电击风险。

▶ 切勿打开充电电池。可能造成短路。

▶ 如果充电电池损坏或者未按照规定使用，充电电池中会散发出有毒蒸汽。充电电池可能会燃烧或爆炸。工作场所必须保持空气流通，如果身体有任何不适必须马上就医。蒸汽会刺激呼吸道。

▶ 如果充电电池使用不当或者损坏，可能会有易燃的电解液从充电电池中流出。避免与之接触。如果意外碰到，用水冲洗。如果电解液碰到眼睛，还要寻求医疗帮助。从充电电池流出的液体会刺激或灼伤皮肤。

▶ 钉子、螺丝刀等尖锐物品或外力作用可能会损坏充电电池。有可能出现内部短路、蓄电池燃烧、发出烟雾、爆炸或过热。

▶ 当电池盒不用时，将它远离其他金属物体，例如回形针、硬币、钥匙、钉子、螺钉或其他小金属物体，以防一端与另一端连接。电池端部短路会引起燃烧或火灾。

▶ 仅在制造商的产品中使用充电电池。这样才能确保充电电池不会过载。

▶ 请只用制造商推荐的充电器充电。不可以使用针对某些特定蓄电池的充电器，为其它的蓄电池充电，可能引起火灾。



**保护充电电池免受高温（例如长期阳光照射）、火焰、脏污、水和湿气的侵害。有爆炸和短路的危险。**



▶ 当您使用背带携带吸尘器时，不要操作吸尘器。您可能在抽吸时被背带缠住而摔倒。

▶ 仅将背带与吸尘器搭配使用。

## 图标

以下符号可以帮助您正确地使用本吸尘器。请牢记各符号和它们代表的意义。正确了解各符号的代表意义，可以让您更有把握更安全地操作本吸尘器。

### 图标及其含义



**警告！** 请阅读所有安全规章和指示。不遵守安全规章和指示可能会导致触电、着火和/或严重伤害。



符合IEC/EN 60335-2-69粉尘等级L的吸尘器，用于干式抽吸危害健康的粉尘（粉尘爆炸限值为 > 1毫克/立方米）



**警告！** 吸尘器内含有害粉尘。仅允许由专业人员执行清空和保养操作，包括清除集尘容器。要求使用相应的防护装备。切勿在过滤系统不完整和未仔细安装好的情况下使用集尘器。否则会危害身体健康。

## 产品和性能说明

请注意本使用说明书开头部分的图示。

### 按照规定使用

本吸尘器可以收集、吸除、运输和存放非易燃的干粉尘、非易燃液体和汽水混合物。本吸尘器经过粉尘技术的检验并符合粉尘等级L。因其较高的负载适合使用在商业用途中，例如手工业、工业和修理厂。

符合IEC/EN 60335-2-69粉尘等级L的吸尘器只允许用于抽吸危害健康的粉尘（粉尘爆炸限值 > 1毫克/立方米）。

必须熟悉所有的操作功能，并且能够不受限制地执行各功能时才可以使本吸尘器。否则得有充分的指导才能够操作本吸尘器。

**Rotational Airflow (涡流)**

无袋式过滤系统可免于使用集尘袋。污物会积聚在集尘箱的内壁上。

**插图上的机件**

图示组件的编号和吸尘器详解图上的编号一致。

- (1) 集尘箱
- (2) 吸尘器上半部锁止件
- (3) 电源开关
- (4) 充电电池电量指示灯
- (5) 吸尘器上半部
- (6) 提柄
- (7) 抽吸软管/地板吸嘴支架定位座
- (8) 软管定位件
- (9) 固定环
- (10) 吸管/缝隙吸嘴支架定位座
- (11) 电池盖解锁按钮
- (12) 电池盖
- (13) 抽吸软管
- (14) 吸尘适配接头
- (15) 弯曲吸嘴
- (16) 缝隙吸嘴
- (17) 地板吸嘴
- (18) 吸管
- (19) 电池盒
- (20) 充电电池<sup>a)</sup>
- (21) 充电电池的解锁按钮<sup>a)</sup>
- (22) 固定螺栓
- (23) 挡板
- (24) 电池盖支架
- (25) 吸管和缝隙吸嘴支架
- (26) 支架固定螺栓(27)
- (27) 抽吸软管和地板吸嘴支架
- (28) 按键
- (29) 背带<sup>a)</sup>
- (30) 滑轮<sup>a)</sup>
- (31) 滑轮定位件
- (32) 渗入空气口
- (33) 过滤器
- (34) 浮标
- (35) 过滤器支架
- (36) 抽吸软管的紧固带

a) 该附件并不包含在基本的供货范围内。

**技术参数**

无绳湿式/干式吸尘器		GAS 18V-10 L
物品代码		3 601 JC6 3..
电压	伏特	18

无绳湿式/干式吸尘器		GAS 18V-10 L
额定输入功率	瓦	260
容器容积 (毛容积)	升	10
净容积 (液体)	升	6
最大真空 <sup>A)</sup>		
- 吸尘器 <sup>B)</sup>	百帕	90
- 涡轮	百帕	115
最大流量 <sup>A)</sup>		
- 吸尘器 <sup>B)</sup>	升/秒 立方 米/小 时	24 86
- 涡轮	升/秒 立方 米/小 时	34 122
充电电池每次充电的运行时间	分钟/ 安培小 时	4
粉尘等级		L
重量符合EPTA- Procedure 01:2014	公斤	5.1-6.1 <sup>C)</sup>
防护类型		IPX4
充电时建议的环境温度	摄氏度	0至+35
工作时和存放时允许的环境温度 <sup>D)</sup>	摄氏度	-20至+50
推荐的充电电池		GBA 18V... ProCORE18V...
推荐的充电器		GAL 18... GAX 18... GAL 36...

A) 在20–25摄氏度的条件下带充电电池**GBA 18V 6.3Ah**测得

B) 使用抽吸软管(13)和弯曲吸嘴(15)测量

C) 视所使用的充电电池而定

D) 温度<0摄氏度时功率受限

数值可能因不同产品而异，并且受到应用和环境条件影响。更多信息请参见[www.bosch-professional.com/wac](http://www.bosch-professional.com/wac)。

**充电电池**

**Bosch**也销售不带充电电池的充电式吸尘器。您可以在包装上查看吸尘器的供货范围内是否包含充电电池。

**为充电电池充电**

► **请只使用在技术参数中列出的充电器。**只有这些充电器才适用于本吸尘器上的锂离子电池。

**提示：**鉴于国际运输规定，锂离子电池在交货时只完成部分充电。首度使用电动工具之前，必须先充足充电电池的电量以确保充电电池的功率。

## 装入和取出蓄电池（见图片A1-A2）

- ▶ **装入蓄电池时不要过度用力。** 蓄电池经过精心设计，它只能插入工具的正确位置中。
- ▶ 始终保持电池和电池盒整洁干燥，以确保出色安全地操作。
  - 如要打开电池盖(12)，请按压解锁按钮(11)。
  - 将充电电池(20)推入电池盒(19)，直至听到其卡止。
  - 取出充电电池(20)时，应按下充电电池上的解锁按钮(21)，然后从电池盒(19)中拉出。
  - 关上电池盖(12)。

## 更换电池盖（参见插图A3-A5）

如果您想使用ProCORE18V 12Ah充电电池，则无法再关上电池盖(12)。此处可将电池盖(12)替换为专为这种情况设计的挡板(23)。

在潮湿环境下，只允许在电池盖已关闭的情况下使用吸尘器。

### 拆卸电池盖（参见插图A3）

将充电电池(20)从电池盒(19)中取出。

用十字螺丝刀PH1取出两个固定螺栓(22) (ST4×12)，然后取下电池盖(12)。

### 安装挡板（参见插图A4）

向下按压电池盖支架(24)，推上挡板(23)。

### 取下挡板（参见插图A5）

放置一字头螺丝刀，将挡板(23)略微向后推，然后将挡板拔下。同时向下按压电池盖支架(24)。

## 充电电池电量指示灯



装入充电电池后，可从吸尘器的充电电池电量指示灯(4)上识别电量，取出充电电池后，可从充电电池本身的充电电池电量指示灯上识别电量。

### 吸尘器上的充电电池电量指示灯

接通吸尘器后，充电电池电量指示灯(4)的5个绿色LED灯会依次上下亮起。接着LED灯显示充电电池(20)的电量。

### 充电电池上的充电电池电量指示灯

如果充电电池已从吸尘器中取出，则可以通过充电电池上的电量指示灯的绿色LED灯显示电量。

按压充电电量指示灯按钮或，来显示充电电量。

如果按压充电电量指示灯按钮后没有LED灯亮起，则说明充电电池损坏，必须进行更换。

提示：并非每种充电电池型号均具备电量指示灯。

### 充电电池型号GBA 18V...



LED指示灯	电量
3个绿灯常亮	60-100 %
2个绿灯常亮	30-60 %
1个绿灯常亮	5-30 %

LED指示灯	电量
1个绿灯闪烁	0-5 %

### 充电电池型号ProCORE18V...



LED指示灯	电量
5个绿灯常亮	80-100 %
4个绿灯常亮	60-80 %
3个绿灯常亮	40-60 %
2个绿灯常亮	20-40 %
1个绿灯常亮	5-20 %
1个绿灯闪烁	0-5 %

## 如何正确地使用充电电池

保护充电电池，避免湿气和水分渗入。

充电电池必须储存在-20 °C至50 °C的环境中。夏天不得将充电电池搁置在汽车中。

不时地使用柔软、清洁而且干燥的毛刷清洁充电电池的通气孔。

充电后如果充电电池的使用时间明显缩短，代表充电电池已经损坏，必须更换新的充电电池。

请注意有关作废处理的规定。

## 安装

- ▶ **在保养或清洁吸尘器、调整设备、更换配件或收起吸尘器前请取出电池。** 这一项预防措施能防止意外启动吸尘器。

### 安装吸尘器配件支架（参见插图B）

- 将吸管和缝隙吸嘴支架(25)牢牢从上推入规定的定位座(10)，直至其卡止。
- 将抽吸软管和地板吸嘴(27)支架牢牢从上推入规定的定位座(7)，然后拧紧固定螺栓(26)。

### 安装抽吸软管（参见插图C）

- 将抽吸软管(13)插到软管定位件(8)上，直到听见抽吸软管的两个按钮(28)的卡止声。

**提示：**吸尘时由于灰尘在抽吸软管和配件中摩擦而产生静电，用户能感觉到静态放电（取决于环境条件和身体感知）。

### 安装吸尘器配件

抽吸软管(13)装备有卡子系统，可以通过吸尘器配件（吸尘适配接头(14)、弯曲吸嘴(15)）连接。

### 安装吸尘适配接头或弯曲吸嘴（参见插图D）

将吸尘适配接头(14)或弯曲吸嘴(15)插到抽吸软管(13)上，直到听见抽吸软管的两个按钮(28)的卡止声。

拆除时向内按压两个按钮(28)，并将部件拉开。

### 安装吸嘴和管道

- 按需将吸管(18)牢牢互相插接，然后牢牢插到弯曲吸嘴(15)上。
- 将地板吸嘴(17)或缝隙吸嘴(16)牢牢插到吸管(18)或弯曲吸嘴(15)上。

### 固定背带（附件）（参见插图E）

#### ▶ 背带只适用于携带和固定吸尘器！

将背带(29)的弹簧钩挂入吸尘器的固定环(9)。

### 安装滑轮（附件）（参见插图F）

将滑轮(30)的4夹紧销插入滑轮定位件(31)中，直至听到其卡止。

也可以使用符合EN 12529标准（夹紧销直径11毫米）的其他滑轮。

#### ▶ 使用吸尘器前，请检查滑轮制动器的功能。

## 运行

- ▶ 在保养或清洁吸尘器、调整设备、更换配件或收起吸尘器前请取出电池。这一项预防措施能防止意外启动吸尘器。
- ▶ 请确保工作环境整洁干净，以防绊倒。

### 投入使用

- ▶ 不得在没有过滤器的情况下使用吸尘器。
- ▶ 仅使用未损坏的过滤器（没有裂缝、孔眼等）。立刻更换已损坏的过滤器。
- ▶ 吸尘前请确保过滤器单元已稳固安装。
- ▶ 在吸尘前请确保电池盖已牢牢关闭。
- ▶ 请了解在贵国处理有损健康的灰尘时需遵守的现行法规/法律。
- ▶ 只能用明确规定的电动工具和吸尘装置组合抽取石材粉尘，并且可以证明该组合低于法定限值 相关证明请登录 <http://www.bosch-professional.com/dust> 进行查阅。

基本上不能在有爆炸危险的场所使用本吸尘器。为保障最佳的吸尘功率，必须将抽吸软管(13)完全从抽吸软管支架(27)展开。

### 接通/关闭

接通吸尘器时，请短促按压起停开关(3)。

关闭吸尘器时，请重新按压起停开关(3)。

出于安全理由，长按起停开关(3)超过5秒后，吸尘器不会自动接通。

### 干式吸尘

#### 吸除运行中的电动工具的积尘（参见插图G）

- ▶ 如果废气回流至室内，必须保证在室内有充足的空气交换率。注意各国有关的法规。
- 安装吸尘适配接头(14)或弯曲吸嘴(15)（参见“安装吸尘适配接头或弯曲吸嘴（参见插图D）”，页 43）。

- 将吸尘适配接头(14)或弯曲吸嘴(15)插入电动工具的抽吸套管中。

仅在使用吸尘适配接头(14)时：

**提示：**在操作抽吸软管中进气较少的电动工具时（比如曲线锯、砂轮机），必须打开吸尘适配接头(14)的渗入空气口(32)。由此可以改进吸尘器和电动工具的总功率。为此转动渗入空气口(32)上方的环，直到开口打开至最大。

### 湿式吸尘

- ▶ 切勿用吸尘器抽取可燃或爆炸性液体，比如汽油、机油、酒精、溶剂。切勿抽取高温、燃烧的或爆炸性粉尘。切勿在易爆环境中使用吸尘器。上述粉尘、蒸汽或液体可能自燃或爆炸。

#### 湿式吸尘前

- 清空集尘箱(1)。
- 清洁过滤器(33)，并将其重新装入吸尘器（参见“清洁/更换过滤器（参见插图I1-I2）”，页 45）。

吸尘器配有一个浮标(34)。若达到了最高加注高度，则结束吸尘。

#### 每次湿式吸尘后

- 清空集尘箱(1)。
- 排空过滤器(33)中的水。

#### 湿式吸尘后为了避免形成霉菌

- 取下吸尘器上部件(5)，并让其彻底风干。
- 取出过滤器(33)，并同样让其彻底风干（参见“清洁/更换过滤器（参见插图I1-I2）”，页 45）。

## 保养和维修

### 保养和清洁

- ▶ 在保养或清洁吸尘器、调整设备、更换配件或收起吸尘器前请取出电池。这一项预防措施能防止意外启动吸尘器。
- ▶ 吸尘器和通气孔必须随时保持清洁，以确保工作效率和工作安全。
- ▶ 在保养和清洁吸尘器时带上防尘面具。

请不时地用湿布清洁吸尘器壳体。

用干布清洁脏污的充电触点。

- ▶ 切勿用压缩空气清洁吸尘器。可能损坏过滤器或其他组件。

每年至少一次，由制造商或经过培训的人员对吸尘器进行一次吸尘功能的检查（例如检查过滤器是否损坏、吸尘器是否泄漏以及控制装置的功能是否正常）。

#### 抽吸有害物质后的清洁和保养

- 请将可能接触有害物质的所有零件视为脏污。
- 在将吸尘器从含有有害物质的区域取出之前，请吸尘、擦拭或彻底密封吸尘器的外部。
- 只在不对您和他人造成危险的情况下清洁、拆卸和保养吸尘器。进行保养和清洁时得穿戴好个人的防护装备。在通风良好的空间内执行作业。

- 拆卸吸尘器前，先清洁吸尘器的外部。
- 将所有清洁未达到满意程度的吸尘器零件装在不通透的袋子里进行废弃处理。同时遵守适用于废弃处理此类废弃物的有效规定。
- 完成作业后请清洁该保养区域。

### 清洁集尘箱（参见插图H1-H2）

请在每次使用后清洁集尘箱(1)，以保证吸尘器的最佳效率。

- 打开锁止件(2)，取下吸尘器上半部(5)。
- 在合适的垃圾箱上方抖动集尘箱(1)。
- 必要时，请用湿布清洁集尘箱。必要时，清洁过滤器(参见“清洁/更换过滤器（参见插图I1-I2）”，页 45)。
- 再次装上吸尘器上半部(5)并闭合锁止件(2)。

### 清洁/更换过滤器（参见插图I1-I2）

吸尘功率取决于过滤器状态。因此请定期清洁过滤器。

立刻更换已损坏的过滤器。

- 打开锁止件(2)，取下吸尘器上半部(5)。
- 将过滤器(33)沿旋转方向⑤转到极限位置，然后从过滤器支架(35)中取出。
- 干洗过滤器：  
在合适的垃圾箱上方敲净过滤器(33)。注意不要损坏过滤器的片层。  
为了获得最大吸力，请用软毛刷刷净过滤器的片层。  
或者  
湿洗过滤器：  
用流动水冲洗过滤器(33)，然后让其彻底风干。  
或者  
更换已损坏的过滤器(33)。
- 将过滤器(33)插到过滤器支架(35)上方，然后沿旋转方向⑤旋转至极限位置。
- 再次装上吸尘器上半部(5)并闭合锁止件(2)。确保锁止件已牢牢卡止。

### 故障

如果吸尘器的吸力减弱，请检查：

- 集尘箱(1)已满？  
▷ (参见“清洁集尘箱（参见插图H1-H2）”，页 45)。
- 过滤器(33)被灰尘堵塞？  
▷ (参见“清洁/更换过滤器（参见插图I1-I2）”，页 45)。
- 电池容量太小？  
▷ 请给充电电池充电。

定期清空集尘器(1)并清洁过滤器(33)可确保最佳吸尘功率。

如果之后未达到吸尘功率，请联系Bosch客户服务中心。

### 存储（参见插图J）

- 将吸管(18)插入支架(25)中。
- 将缝隙吸嘴(16)插入吸管(18)中。
- 将地板吸嘴(17)插入支架(27)中。

- 将抽吸软管(13)从下方缠绕在支架(27)上，然后固定紧固带(36)。
- 仅用提柄(6)或背带（如有）携带吸尘器。
- 在干燥的地方存储吸尘器，防止未经授权使用。

### 客户服务和应用咨询

本公司客户服务处负责回答有关本公司产品的修理、维护和备件的问题。备件的展开图纸和信息也可查看：[www.bosch-pt.com](http://www.bosch-pt.com)  
博世应用咨询团队乐于就我们的产品及其附件问题提供帮助。

询问和订购备件时，务必提供机器铭牌上标示的10位数物品代码。

#### 中国大陆

博世电动工具（中国）有限公司  
中国 浙江省 杭州市  
滨江区 滨康路567号  
102/1F 服务中心  
邮政编码：310052  
电话：(0571)8887 5566 / 5588  
传真：(0571)8887 6688 x 5566# / 5588#  
电邮：[bsc.hz@cn.bosch.com](mailto:bsc.hz@cn.bosch.com)  
[www.bosch-pt.com.cn](http://www.bosch-pt.com.cn)

#### 制造商地址：

Robert Bosch Power Tools GmbH  
罗伯特·博世电动工具有限公司  
70538 Stuttgart / GERMANY  
70538 斯图加特 / 德国

#### 其他服务地址请见：

[www.bosch-pt.com/serviceaddresses](http://www.bosch-pt.com/serviceaddresses)

### 搬运

所推荐的锂离子充电电池必须符合危险物品法规。使用者无须另外使用保护包装便可以运送该充电电池。

但是如果将它交由第三者运送（例如：寄空运或委托运输公司）则要用特殊的包装和标示。此时必须向危险物品专家请教有关寄送危险物品的相关事宜。

确定充电电池的外壳未受损后，才可以寄送充电电池。粘好未加盖的触点并包装好充电电池，不可以让充电电池在包装中晃动。必要时也得注意各国有关的法规。

### 处理废弃物



应对吸尘器、电池、附件和包装进行环保的回收利用。



请勿将吸尘器和电池/蓄电池扔到生活垃圾里！

充电电池/蓄电池：  
锂离子：

请注意“搬运”段落中的指示(参见“搬运”, 页 45)。

### 产品中有害物质的名称及含量

部件名称	有害物质					
	铅 (Pb)	汞 (Hg)	镉 (Cd)	六价铬 (Cr <sup>6+</sup> )	多溴联苯 (PBB)	多溴二苯醚 (PBDE)
外壳的金属部分	X	○	○	○	○	○
外壳的非金属部分	○	○	○	○	○	○
机械传动机构	○	○	○	○	○	○
电机组件	○	○	○	○	○	○
控制组件	○	○	○	○	○	○
附件	○	○	○	○	○	○
配件	○	○	○	○	○	○
连接件	○	○	○	○	○	○
电源线* ①	○	○	○	○	○	○
电池系统* ②	○	○	○	○	○	○

本表格依据SJ/T11364的规定编制。

○: 表示该有害物质在该部件所有均质材料中的含量均在GB/T 26572规定的限量要求以下。

X: 表示该有害物质至少在该部件的某一均质材料中的含量超出GB/T 26572规定的限量要求。且目前业界没有成熟的替代方案, 符合欧盟RoHS指令环保要求。

① 适用于采用电源线连接供电的产品。

② 适用于采用充电电池供电的产品。

产品环保使用期限内的使用条件参见产品说明书。

## 繁體中文

### 吸塵器安全注意事項



請詳讀所有安全注意事項和指示。如未遵守安全注意事項與指示, 可能導致火災、人員遭受電擊及 / 或重傷。

請妥善保存所有安全注意事項與指示, 以供日後查閱之用。

▶ **本吸塵器不適合兒童以及體能、知覺或智能有障礙之人士, 或者不具備充分經驗及知識者使用。否則可能會造成操作上的錯誤以及受傷危險。**

▶ **請留意兒童的安全。如此才能確保他們未將本吸塵器當做玩具任意玩耍。**

▶ **請遵守待吸除物質的所有安全規定。**

▶ 請勿用於吸除櫟木屑、橡木屑或石棉。僅可與經 Bosch 明確核可能與 GAS 18V-10 L 一起使用的吸塵系統吸除礦物粉塵。這些物質已認定為致癌物。

**警告** 您必須先瞭解吸塵器本身的使用方式、欲吸除之物質以及安全處置該物質的方式等相關資訊之後, 才可開始使用吸塵器。謹慎的事前教育訓練可減少操作錯誤或人員受傷。

**警告** 吸塵器本身僅適合用於吸除乾燥材料, 並且在採取適當措施後亦可用來吸除液體。如有液體滲入將增加觸電風險。

▶ 吸塵器切勿用於吸除汽油、機油、酒精、溶劑等可燃或易爆液體。切勿用於吸除高溫、燃燒中或具爆炸性的粉塵。吸塵器不得在具有爆炸危險之空間裡運轉。上述灰塵、蒸氣或液體可能自燃或爆炸。

**警告** 若有任何泡沫漏出機外或有水滲出, 請立刻關閉吸塵器電源並清空容器。否則吸塵器可能損壞。

▶ **注意!** 此吸塵器僅能存放於室內。

▶ **注意!** 定期清潔浮球, 並檢查該部件有無受損。否則, 浮球的運作功能可能受影響。

- ▶ 要確保工作場所通風良好。
- ▶ 請務必將吸塵器交由合格的專業技師以原廠替換零件進行維修。如此才能確保吸塵器的安全性能。

**警告** 本吸塵器內含危害人體健康的粉塵。所有清空及維護作業（包含清除集塵容器在內）僅可交由受過專業訓練的人員執行。必須穿戴適當的防護裝備。過濾裝置若未裝配齊全或未謹慎裝入，本吸塵器不得運轉。否則將危害您的身體健康。

- ▶ 正式運轉前，請確認吸塵軟管是否狀況良好。此時請將吸塵軟管確實裝到吸塵器上，以免粉塵意外洩露。若不這樣做，您可能會吸入廢塵。
- ▶ 清潔時，勿用水柱直噴吸塵器。如有水滲入吸塵器上部，將增加觸電風險。
- ▶ 切勿拆開充電電池。可能造成短路。
- ▶ 如果充電電池損壞了，或者未按照規定使用充電電池，充電電池中會散發出有毒蒸氣。充電電池可能起火或爆炸。工作場所必須保持空氣流通，如果身體有任何不適必須馬上就醫。充電電池散發的蒸氣會刺激呼吸道。
- ▶ 不當使用或充電電池受損時，充電電池可能會流出可燃液體。請避免接觸。意外沾到時，請用水徹底沖洗。如果液體跑進眼睛裡，請進一步就醫。從電池中滲出的液體可能造成腐蝕或起火。
- ▶ 尖銳物品（例如釘子或螺絲起子）或是外力皆有可能造成充電電池損壞。進而導致內部短路而發生電池起火、冒煙、爆炸或過熱等事故。
- ▶ 充電電池不使用時，請讓它遠離迴紋針、硬幣、鑰匙、釘子、螺釘或其他小金屬物體，以免造成兩極相接。電池端點短路會引起燃燒或火災。
- ▶ 僅可在製造商的產品中使用充電電池。如此才可提供過載保護。
- ▶ 僅能使用製造商規定的充電器進行充電。將適用於某特定電池盒的充電器用於其他電池盒時，可能會造成起火燃燒。



保護充電電池免受高溫（例如長期日照）、火焰、污垢、水液和濕氣的侵害。有爆炸及短路之虞。



- ▶ 當您使用背帶帶著吸塵器時，請勿使用它進行作業。在用背帶使用吸塵器時您可能被絆住並跌倒。
- ▶ 背帶僅能用於該吸塵器。

## 符號

以下符號可以幫助您正確地使用本吸塵器。請牢記各符號和它們的代表意義。正確了解各符號的代表意義，可以讓您更有把握更安全地操作本吸塵器。

### 符號和它們的代表意義



**警告！** 請詳讀所有安全注意事項和指示。如未遵守安全注意事項與指示，可能導致火災、人員觸電及/或重傷。

### 符號和它們的代表意義



此吸塵器的除塵等級為 L，符合 IEC/EN 60335-2-69，這是針對乾式吸塵暴露濃度  $> 1 \text{ mg/m}^3$  之有害粉塵而制定的標準規範



**警告！** 本吸塵器內含危害人體健康的粉塵。所有清空及維護作業（包含清除集塵容器在內）僅可交由受過專業訓練的人員執行。必須穿戴適當的防護裝備。過濾裝置若未裝配齊全或未謹慎裝入，本吸塵器不得運轉。否則將危害您的身體健康。

## 產品和規格性能

請留意操作說明書中最前面的圖示。

### 依規定使用機器

本吸塵器適用於收集、吸除、輸送和分離不可燃之乾燥粉塵、不可燃液體以及水與空氣的混合物。本吸塵器已接受過粉塵技術性檢驗，並且符合粉塵等級 L。此吸塵器可適用於工商業界之高密度使用頻率，例如：手工業、工業和維修廠。

符合 IEC/EN 60335-2-69 的除塵等級 L 吸塵器僅適用於吸除暴露濃度  $> 1 \text{ mg/m}^3$  的有害粉塵。

必須熟悉所有的操作功能，並且能夠不受限制地執行各功能時才可以使用本吸塵器。否則須接受受份指導才能操作本吸塵器。

### 旋轉氣流

無集塵袋的過濾系統讓吸塵器不再需要集塵袋。污物將被收集在集塵容器的內壁上。

### 插圖上的機件

機件的編號和吸塵器詳解圖上的編號一致。

- (1) 集塵容器
- (2) 吸塵器上部鎖扣
- (3) 電源按鈕
- (4) 充電電池的電量指示器
- (5) 吸塵器上部
- (6) 提把
- (7) 吸塵軟管與地板刷頭固定裝置之支座
- (8) 軟管接口
- (9) 固定環
- (10) 吸塵硬管與縫隙吸嘴固定裝置之支座
- (11) 電池室蓋解鎖按鈕
- (12) 電池室蓋
- (13) 吸塵軟管
- (14) 吸塵轉接頭
- (15) 彎管吸頭
- (16) 隙縫吸頭
- (17) 地板吸頭

- (18) 吸塵硬管
- (19) 電池盒
- (20) 充電電池<sup>a)</sup>
- (21) 充電電池解鎖按鈕<sup>a)</sup>
- (22) 固定螺柱
- (23) 隔板
- (24) 電池室蓋固定裝置
- (25) 用於吸塵硬管與縫隙吸嘴的固定裝置
- (26) 固定螺絲固定裝置 (27)
- (27) 用於吸塵軟管與地板刷頭的固定裝置
- (28) 按鈕
- (29) 背帶<sup>a)</sup>
- (30) 滾輪<sup>a)</sup>
- (31) 滾輪支座
- (32) 漏風開口
- (33) 濾網
- (34) 浮球
- (35) 濾網固定裝置
- (36) 吸塵軟管繩圈

a) 所述的配件並不包含在基本的供貨範圍中。

### 技術性數據

濕式 / 乾式吸塵器電池		GAS 18V-10 L	
產品機號		3 601 JC6 3..	
電壓	V		18
額定輸入功率	W		260
集污箱容量 (毛容量)	l		10
淨容量 (液體)	l		6
最大負壓 <sup>A)</sup>			
- 吸塵器 <sup>B)</sup>	hPa		90
- 渦輪	hPa		115
最大流量 <sup>A)</sup>			
- 吸塵器 <sup>B)</sup>	l/s		24
	m <sup>3</sup> /h		86
- 渦輪	l/s		34
	m <sup>3</sup> /h		122
充電電池每次充電後的可連續工作時間	min/Ah		4
粉塵等級			L
重量符合 EPTA-Procedure 01:2014	kg		5.1-6.1 <sup>C)</sup>
防護等級			IPX4
充電狀態下的建議環境溫度	°C		0... +35
操作狀態下的容許環境溫度 <sup>D)</sup> 以及存放狀態下	°C		-20... +50
建議使用的充電電池			GBA 18V... ProCORE18V...

### 濕式 / 乾式吸塵器電池

### GAS 18V-10 L

建議使用的充電器	
	GAL 18...
	GAX 18...
	GAL 36...

- A) 於 20-25 °C 配備充電電池 **GBA 18V 6.3Ah** 時測得。
  - B) 以吸塵軟管 (13) 和彎管吸嘴 (15) 測量所得
  - C) 視所使用的充電蓄電池而定
  - D) 溫度 <0 °C 時，性能受限
- 數值可能因產品而異，並受使用條件以及環境條件影響。進一步資訊請見 [www.bosch-professional.com/wac](http://www.bosch-professional.com/wac)。

## 充電電池

Bosch 亦銷售不含電池的無線吸塵器。可以從外包裝看出吸塵器的供貨範圍是否包括電池。

### 為充電電池進行充電

- ▶ 只能選用技術性數據裡所列出的充電器。僅有這些充電器適用於該吸塵器所使用的鋰離子充電電池。

**提示：**由於國際運輸規定，出貨時鋰離子充電電池已部分充電。初次使用電動工具之前，請先將充電電池充飽電以確保充電電池蓄滿電力。

### 裝入與取出充電電池 (請參考圖 A1-A2)

- ▶ 裝入蓄電池時不要過度用力。蓄電池經過精心設計，它只能插入工具的正确位置中。
- ▶ 電池室和電池盒須隨時保持清潔與乾燥，以確保其發揮應有性能與安全。
  - 若要開啟電池室蓋 (12)，請按下解鎖按鈕 (11)。
  - 將充電電池 (20) 往電池盒 (19) 內推到底，直到聽見卡入的聲音。
  - 若要取出充電電池 (20)，請按蓄電池旁的解鎖鈕 (21) 並將充電電池拔出電池盒 (19)。
  - 請關閉電池室蓋 (12)。

### 更換電池室蓋 (請參考圖 A3-A5)

若您要使用 ProCORE18V 12Ah 充電電池，則電池室蓋 (12) 將無法關上。可以使用專為此情況所設計的隔板 (23) 來代替電池室蓋 (12)。

在潮濕的環境中僅能在電池室蓋關閉的情況下使用吸塵器。

### 拆卸電池室蓋 (請參考圖 A3)

將充電電池 (20) 從電池盒 (19) 中取出。使用十字螺絲起子 PH1 將兩個固定螺柱 (22) (ST4×12) 拆下並將電池室蓋 (12) 取下。

### 更換隔板 (請參考圖 A4)

將電池室蓋固定裝置 (24) 向下推並推開隔板 (23)。

### 取下隔板 (請參考圖 A5)

使用一字螺絲起子將隔板 (23) 略微向後推並將其拉出。同時將電池室蓋的固定裝置 (24) 向下推。



## 充電電池的電量指示器

您可以在充電電池的電量指示器 (4) 上看到插入電池的電量，拆下的電池則可以在電池本身上看到。

### 吸塵器上充電電池的電量指示器

開啟吸塵器後，充電電池電量指示器 (4) 的 5 個綠色 LED 燈將以升序和降序分別亮起。接著 LED 燈將顯示出電池 (20) 的充電狀態。

### 電池上充電電池的電量指示器

若將電池從吸塵器中取出，則電池的充電狀態可以透過電池上電量指示器的綠色 LED 燈顯示出來。

按一下電量指示器按鈕  或 ，即可顯示目前的電量。

按壓電量顯示按鈕後，LED 燈若未亮起，即表示充電電池故障，必須予以更換。

提示：並非所有的充電電池類型都有電量指示器。

### 充電電池型號 GBA 18V...



LED 燈	容量
3 顆綠燈持續亮起	60-100 %
2 顆綠燈持續亮起	30-60 %
1 顆綠燈持續亮起	5-30 %
1 顆綠燈呈閃爍狀態	0-5 %

### 充電電池型號 ProCORE18V...



LED 燈	容量
5 顆綠燈持續亮起	80-100 %
4 顆綠燈持續亮起	60-80 %
3 顆綠燈持續亮起	40-60 %
2 顆綠燈持續亮起	20-40 %
1 顆綠燈持續亮起	5-20 %
1 顆綠燈呈閃爍狀態	0-5 %

## 如何正確地使用充電電池

妥善保護充電電池，避免濕氣和水分滲入。

充電電池必須儲存在 -20 °C 至 50 °C 的環境中。

夏天不可以把充電電池擱置在汽車中。

偶爾用柔軟、乾淨且乾燥的毛刷清潔充電電池的通氣孔。

充電後如果充電電池的使用時間明顯縮短，代表充電電池已經損壞，必須更換新的充電電池。

請您遵照廢棄物處理相關指示。

## 安裝

- ▶ 維護或清潔吸塵器、進行設備設定、更換配件或儲藏吸塵器之前，請先拔下充電電池。此預防措施可以防止吸塵器意外啟動。

## 安裝吸塵器配件的固定裝置 (請參考圖 B)

- 請將吸塵硬管與縫隙吸嘴的固定裝置 (25) 從上方緊推入為其設置的支座 (10) 中，直到其卡入。
- 請將吸塵軟管與地板刷頭的固定裝置 (27) 從上方緊推入為其設置的支座 (7) 中並將固定螺絲 (26) 鎖緊。

## 安裝吸塵軟管 (請參考圖 C)

- 將吸塵軟管 (13) 插入軟管接口 (8)，直到吸塵軟管上兩個按鈕 (28) 卡合。

提示：吸塵時，因吸塵軟管內與吸塵配件內的粉塵相互摩擦形成靜電，使用者可能感覺其靜電釋放（視環境因素和身體感受而定）。

## 安裝吸塵器配件

吸塵軟管 (13) 採用卡夾系統，可直接連接吸塵器配件（吸塵轉接頭 (14)、彎管吸頭 (15)）。

### 安裝吸塵轉接頭或彎管吸頭 (請參考圖 D)

將吸塵轉接頭 (14) 或彎管吸頭 (15) 插入吸塵軟管 (13)，直到聽見吸塵軟管上的兩個按鈕 (28) 卡合的聲音。

拆卸時，將按鈕 (28) 往內按壓，然後拔開零組件即可。

### 安裝吸頭和硬管

- 若有需要，將吸塵硬管 (18) 相互牢固地插上，然後緊插於彎管吸頭 (15)。
- 將地板刷頭 (17) 或縫隙吸嘴 (16) 緊插於吸塵硬管 (18) 或彎管吸頭 (15) 上。

## 固定背帶 (配件) (請參考圖 E)

- ▶ 背帶僅適用於攜帶和固定吸塵器！

請將背帶 (29) 的彈簧鉤卡到吸塵器上的固定環 (9) 上。

## 安裝滾輪 (配件) (請參考圖 F)

請將 4 滾輪 (30) 的固定銷插入滾輪支座 (31) 中，直到聽見其卡入聲。

也可使用符合 EN 12529 標準的其他滾輪（固定銷直徑 11 mm）。

- ▶ 在使用吸塵器前，請您先檢查滾輪煞車的功能是否正常。

## 操作

- ▶ 維護或清潔吸塵器、進行設備設定、更換配件或儲藏吸塵器之前，請先拔下充電電池。此預防措施可以防止吸塵器意外啟動。
- ▶ 由於有絆倒的危險，請確保工作區域的乾淨與整齊。

## 操作機器

- ▶ 不得在無濾網的情況下使用吸塵器。
- ▶ 僅可使用完好無缺的濾網（無裂縫或無破洞等）。濾網如損壞，請立即更換。

- ▶ 開始使用吸塵器之前，請確定已確實裝上濾芯。
- ▶ 在使用吸塵器前請確保電池室蓋已關上。
- ▶ 請遵循所在地關於有害廢塵的適用規範 / 法律。
- ▶ 僅能使用明確指定已被證明未超過法定限值電動工具與抽吸系統之組合來進行礦物粉塵的吸塵作業。您可以在網頁 <http://www.bosch-professional.com/dust> 上找到證明。

原則上不能在具有爆炸危險的場所內使用本吸塵器。

為確保能達到最佳吸力，務必讓吸塵軟管 (13) 從吸塵軟管固定裝置 (27) 完全展開。

#### 啟動 / 關閉

若要啟動吸塵器，請短按一下電源按鈕 (3)。

若要關閉吸塵器，請再按一次電源按鈕 (3)。

由於安全因素考量，當電源按鈕 (3) 被長按超過 5 秒時，吸塵器不會啟動。

#### 乾式吸塵

吸除電動工具運轉時產生的粉塵 (請參考圖 G)

- ▶ 氣體若是排放至室內，則須要有足夠的通風率。請遵照各國相關規定。
- 請安裝吸塵轉接頭 (14) 或彎管吸頭 (15) (參見「安裝吸塵轉接頭或彎管吸頭 (請參考圖 D)」，頁 49)。
- 將吸塵轉接頭 (14) 或彎管吸頭 (15) 插入電動工具的吸塵接管內。

僅在使用吸塵轉接頭 (14) 時：

**提示：**使用電動工具進行作業時，若吸塵軟管的進氣量很少 (例如：線鋸機、打磨機等)，則必須打開吸塵轉接頭 (14) 漏風開口 (32)。藉此將提高吸塵器與電動工具的整体性能。此時須轉動漏風開口上方的圓環 (32)，直到開口達到最大。

#### 濕式吸塵

- ▶ 吸塵器切勿用於吸除汽油、機油、酒精、溶劑等可燃或易爆液體。切勿用於吸除高溫、燃燒中或具爆炸性的粉塵。吸塵器不得在具有爆炸危險之空間裡運轉。上述灰塵、蒸氣或液體可能自燃或爆炸。

#### 進行濕式吸塵前

- 清空集塵容器 (1)。
- 請清潔濾網 (33) 並將其重新裝入吸塵器內 (參見「清潔 / 更換濾網 (請參考圖 I1-I2)」，頁 50)。

吸塵器裝有浮球 (34)。達到最高裝填高度時，就會停止吸塵動作。

#### 在每次進行濕式吸塵後

- 清空集塵容器 (1)。
- 請清除濾網 (33) 中的水。

#### 為避免發霉，進行濕式吸塵之後

- 請取下吸塵器上部 (5)，然後把它徹底晾乾。

- 取出濾網 (33)，並使其也同樣徹底晾乾 (參見「清潔 / 更換濾網 (請參考圖 I1-I2)」，頁 50)。

## 保養和服務

### 保養與清潔

- ▶ 維護或清潔吸塵器、進行設備設定、更換配件或儲藏吸塵器之前，請先拔下充電電池。此預防措施可以防止吸塵器意外啟動。
- ▶ 吸塵器和通氣孔必須隨時保持清潔，以確保工作效率和工作安全。
- ▶ 維修和清潔吸塵器時，請戴上防塵面罩。您可以每隔一段時間以濕布清潔吸塵器外部。充電接點請以乾布擦拭。
- ▶ 請勿使用壓縮空氣清潔吸塵器。濾網或其他零件可能會損壞。

每年至少一次，需由製造商或經過培訓的人員進行吸塵功能檢查 (例如，檢查濾網是否損壞、吸塵器的密閉性以及檢查控制裝置是否正常工作)。

### 清潔危害健康物質後的清潔與維護

- 將所有可能接觸危害健康物質的零件視為已被污染。
- 將吸塵器從危害健康的區域移出前，請先吸除、擦拭或封住吸塵器的外側。
- 僅在不對您和其他人造成危險的情況下清潔、拆卸和維護吸塵器。進行維護和清潔時，得穿戴好個人的防護裝備。在通風良好的房間內進行工作。
- 拆卸吸塵器之前，先清潔吸塵器的外部。
- 將吸塵器中無法充分清潔的所有零件放入防滲透袋中進行處理。請遵守此類廢棄物處理的適用法規。
- 工作完成後，清潔維護區域。

### 清潔集塵容器 (請參考圖 H1-H2)


每次使用完畢後請清潔集塵容器 (1)，以維持最佳的吸塵效果。

- 打開鎖扣 (2) 並取下吸塵器上部 (5)。
- 將集塵容器 (1) 拿到合適的垃圾桶上方倒乾淨。
- 若有必要，請使用濕布清潔集塵容器。視需要清潔濾網 (參見「清潔 / 更換濾網 (請參考圖 I1-I2)」，頁 50)。
- 請再次套上吸塵器上部 (5)，然後扣上鎖扣 (2)。

### 清潔 / 更換濾網 (請參考圖 I1-I2)

吸塵器的吸力取決於濾網的狀態。因此請定期清潔濾網。

如濾網損壞，請立即更換。

- 打開鎖扣 (2) 並取下吸塵器上部 (5)。
- 沿旋轉方向  將濾網 (33) 旋轉到底並將其從濾網固定裝置 (35) 上取下。
- 將濾網乾燥：將濾網 (33) 拿到合適的垃圾桶上方輕敲以抖掉粉塵。請注意不要損壞濾網的濾芯層。

為了能獲得最大的吸力，請用柔軟的刷子輕刷濾網的濾芯層。


或

濕式濾網：

將濾網 (33) 拿到自來水底下清洗，然後讓它充份晾乾。

或

更換已損壞的濾網 (33)。

- 將濾網 (33) 放到濾網固定裝置 (35) 上並沿旋轉方向將其旋轉到底 。
- 請再次套上吸塵器上部 (5)，然後扣上鎖扣 (2)。確保鎖扣已穩固卡入。

### 故障

如果吸塵器的吸力減弱，請檢查：

- 集塵容器 (1) 是否已滿？
  - ▷ (參見「清潔集塵容器 (請參考圖 H1-H2)」，頁 50)。
- 濾網 (33) 是否被塵污堵塞？
  - ▷ (參見「清潔 / 更換濾網 (請參考圖 I1-I2)」，頁 50)。
- 充電電池容量不足？
  - ▷ 請為充電電池充電。

定期清空集塵容器 (1) 和清潔濾網 (33) 可確保吸塵器的最佳吸力。

如果此後仍無法達到吸力，請洽詢 **Bosch** 客戶服務中心。

### 儲放 (請參考圖 J)

- 將吸塵硬管 (18) 插入至固定裝置 (25) 內。
- 將縫隙吸嘴 (16) 插入吸塵硬管 (18)。
- 將地板刷頭 (17) 插入固定裝置 (27)。
- 將吸塵軟管 (13) 從下方纏繞於固定裝置 (27) 上並將繩圈 (36) 固定。
- 僅能從提把 (6) 處或用背帶 (若有) 將吸塵器提起。
- 將吸塵器放置在乾燥空間內，並應防止他人未經許可使用。

### 顧客服務處和顧客諮詢中心

本公司顧客服務處負責回答有關本公司產品的維修、維護和備用零件的問題。以下的網頁中有分解圖和備用零件相關資料：[www.bosch-pt.com](http://www.bosch-pt.com)  
如果對本公司產品及其配件有任何疑问，博世應用諮詢小組很樂意為您提供協助。

當您需要諮詢或訂購備用零件時，請務必提供本產品型號銘牌上 10 位數的產品機號。

### 台灣進口商

台灣羅伯特博世股份有限公司  
建國北路一段90號6樓  
台北市10491  
電話: (02) 7734 2588  
傳真: (02) 2516 1176  
[www.bosch-pt.com.tw](http://www.bosch-pt.com.tw)

### 製造商地址:

Robert Bosch Power Tools GmbH  
羅伯特·博世電動工具有限公司  
70538 Stuttgart / GERMANY  
70538 斯圖加特 / 德國

### 以下更多客戶服務處地址:

[www.bosch-pt.com/serviceaddresses](http://www.bosch-pt.com/serviceaddresses)

### 搬運

建議使用的鋰離子充電電池受危險物品法的規範。使用者無須另外使用保護包裝便可運送該充電電池。

但是如果將它交由第三者運送 (例如：寄空運或委託運輸公司)，則應遵照包裝與標示的相關要求。此時必須向危險物品專家請教有關寄送危險物品的相關事宜。

確定充電電池的外殼未受損後，才可以寄送充電電池。用膠帶貼住裸露的接點並妥善包裝充電電池，不可以讓充電電池在包裝材料中晃動。同時也應留意各國相關法規。

### 廢棄物處理



吸塵器、充電電池、配件與外包裝須遵照環保相關法規進行資源回收。



不得將吸塵器與充電電池 / 拋棄式電池丟入家庭垃圾中!

### 充電電池 / 拋棄式電池:

#### 鋰離子:

請注意「搬運」段落中的指示 (參見「搬運」，頁 51)。

設備名稱：濕式 / 乾式吸塵器電池，型號：GAS 18V-10 L

### 限用物質及其符號

單元	鉛 (Pb)	汞 (Hg)	鎘 (Cd)	六價鉻 (Cr <sup>+6</sup> )	多溴聯苯 (PBB)	多溴二苯醚 (PBDE)
開關	○	○	○	○	○	○
外殼 (塑料)	○	○	○	○	○	○
外殼 (金屬)	-	○	○	○	○	○
馬達	○	○	○	○	○	○
電路板	○	○	○	○	○	○

設備名稱：濕式 / 乾式吸塵器電池，型號：GAS 18V-10 L

限用物質及其符號

單元	鉛 (Pb)	汞 (Hg)	鎘 (Cd)	六價鉻 (Cr <sup>6+</sup> )	多溴聯苯 (PBB)	多溴二苯醚 (PBDE)
過濾器	○	○	○	○	○	○

備考 1. "超出 0.1 wt %" 及 "超出 0.01 wt %" 係指限用物質之百分比含量超出百分比含量基準值。

備考 2. "○" 係指該項限用物質之百分比含量未超出百分比含量基準值。

備考 3. "-" 係指該項限用物質為排除項目。

## ไทย

### คำเตือนเพื่อความปลอดภัยสำหรับ เครื่องดูดฝุ่น



อ่านคำเตือนเพื่อความปลอดภัยและคำแนะนำทั้งหมด การไม่ปฏิบัติตามคำเตือนและคำสั่ง อาจเป็นสาเหตุให้ถูกไฟฟ้าดูด เกิดไฟไหม้ และ/หรือได้รับบาดเจ็บอย่างร้ายแรง

เก็บรักษาคำเตือนเพื่อความปลอดภัยและคำสั่งทั้งหมดสำหรับเปิดอ่านในภายหลัง

▶ **เครื่องดูดฝุ่นนี้ไม่ได้มีไว้เพื่อการใช้งานโดยเด็กและบุคคลที่มีความบกพร่องทางกายภาพ ทางประสาทสัมผัส หรือทางจิตใจ หรือบุคคลที่ขาดประสบการณ์และความรู้** มิฉะนั้นจะมีอันตรายจากความผิดพลาดในการปฏิบัติงานและได้รับบาดเจ็บ

▶ **ควบคุมดูแลเด็กๆ** ทั้งนี้เพื่อให้มั่นใจได้ว่าเด็กๆ จะไม่เล่นเครื่องดูดฝุ่น

▶ **โปรดปฏิบัติตามกฎระเบียบเพื่อความปลอดภัยทั้งหมดเกี่ยวกับสารที่ต้องการดูดฝุ่น**

▶ **อย่าดูดฝุ่นจากไม้หรือไม้ไผ่ หรือแร่ใยหินอย่างเด็ดขาด** อนุญาตให้ดูดฝุ่นหินด้วยระบบดูดที่โดยเฉพาะกับ GAS 18V-10 L ของบริษัท Bosch เท่านั้น วัสดุเหล่านี้ถือเป็นสารก่อมะเร็ง

⚠ **คำเตือน** ไขเครื่องดูดฝุ่นเมื่อท่านได้รับข้อมูลที่เพียงพอสำหรับการใช้งานเครื่องดูดฝุ่น วัสดุที่จะดูด และการกำจัดฝุ่นวัสดุอย่างปลอดภัยแล้วเท่านั้น การชี้แนะอย่างละเอียดถี่ถ้วนจะลดความผิดพลาดในการปฏิบัติงานและการบาดเจ็บ

⚠ **คำเตือน** เครื่องดูดฝุ่นเหมาะสำหรับดูดวัสดุแห้ง และเมื่อใช้มาตรการที่เหมาะสม ก็

สามารถดูดของเหลวได้เช่นกัน หากของเหลวเข้าในมอเตอร์ จะเพิ่มความเสี่ยงต่อการถูกไฟฟ้าดูด

▶ **อย่าไขเครื่องดูดฝุ่นเพื่อดูดของเหลวที่ไวไฟหรือระเบิดได้** ตัวอย่าง เช่น เบนซิน น้ำมัน แอลกอฮอล์ ตัวทำละลาย ยาดูดฝุ่นที่ร้อน ลูกไหม หรือระเบิดได้ อย่าไขเครื่องดูดฝุ่นทำงานในบริเวณที่อาจเกิดระเบิดได้ ฝุ่น ไอร์รียหรือ ฝุ่นของเหลวอาจลุกเป็นไฟหรือระเบิดได้

⚠ **คำเตือน** บิดสวิตช์เครื่องดูดฝุ่นในทันทีที่มีฟองหรือน้ำไหลออกมา และให้ถ่ายถังบรรจุ มิฉะนั้นเครื่องดูดฝุ่นอาจชำรุดได้

▶ **โปรดระวัง!** ต้องเก็บเครื่องดูดฝุ่นไว้ภายในอาคารเท่านั้น

▶ **โปรดระวัง!** ทำความสะอาดลูกกลิ้งอย่างสม่ำเสมอและตรวจหาความเสียหาย มิฉะนั้นอาจส่งผลกระทบต่อการทำงานได้

▶ **จัดสถานที่ทำงานให้มีอากาศถ่ายเทที่ดี**

▶ **ส่งเครื่องดูดฝุ่นเข้ารับบริการซ่อมแซม** โดยช่างผู้เชี่ยวชาญ และใช้อะไหล่เปลี่ยนของแท้เท่านั้น ในลักษณะนี้ท่านจะแน่ใจได้ว่าเครื่องดูดฝุ่นอยู่ในสภาพที่ปลอดภัย

⚠ **คำเตือน** เครื่องดูดฝุ่นบรรจุฝุ่นที่เป็นอันตรายต่อสุขภาพ ใหญ่เชี่ยวชาญทำการถ่ายภาพ และบำรุงรักษา รวมทั้งกำจัดถังเก็บฝุ่นเท่านั้น จำเป็นต้องใช้อุปกรณ์ป้องกันที่เหมาะสม อย่าใช้งานเครื่องดูดฝุ่นโดยไม่มีระบบกรองที่ครบถ้วนและสมบูรณ์ มิฉะนั้นจะเกิดอันตรายต่อสุขภาพของท่าน

▶ **ก่อนเริ่มต้นทำงาน** ให้ตรวจสอบว่าท่อดูดมีสภาพที่สมบูรณ์หรือไม่ สำหรับการตรวจสอบ ให้ปล่อยท่อดูดไวบนเครื่องดูดฝุ่น ทั้งนี้เพื่อป้องกันไม่ให้ฝุ่นพุ่งออกมาโดยไม่ตั้งใจ มิฉะนั้นท่านอาจสูดดมฝุ่นเข้าไป

▶ **อย่าทำความสะอาดเครื่องดูดฝุ่นโดยฉีดพ่นน้ำไปที่เครื่องโดยตรง** การฉีดพ่นน้ำเข้าไปในส่วนบนของเครื่องดูดฝุ่น จะเพิ่มความเสี่ยงต่อการถูกไฟฟ้าดูด

▶ **อย่าเปิดแบตเตอรี่** อันตรายจากการลัดวงจร

▶ **เมื่อแบตเตอรี่ชำรุดและนำไปใช้งานโดยไม่ถูกต้องอาจมีไอร์รียออกมาได้** แบตเตอรี่อาจเผาไหม้หรือระเบิดได้ให้สูดอากาศบริสุทธิ์และไปพบแพทย์ในกรณีเจ็บปวดไอร์รียอาจทำให้ระบอบหายใจระคายเคือง

▶ **หากไขอย่างไม่ถูกต้องหรือหากแบตเตอรี่ชำรุด** ของเหลวไวไฟอาจไหลออกมาจากแบตเตอรี่ได้ หลีกเลี่ยงการสัมผัสของเหลว ในกรณีที่สัมผัสโดยไม่ตั้งใจ ให้ล้างออกด้วยน้ำ หากของเหลวเข้าตา ให้ไปพบแพทย์ด้วย

ของเหลวที่ไหลออกมาจากแบตเตอรี่อาจทำให้เกิดอาการคันหรือแสบผิวหนังได้

- ▶ **วัตถุที่แหลมคม ต. ย. เช่น ตะปูหรือไขควง หรือแรงกระทำภายนอก อาจทำให้แบตเตอรี่เสียหายได้** สิ่งเหล่านี้อาจทำให้เกิดการลัดวงจรภายในและแบตเตอรี่ใหม่ มีควันระเบิด หรือร้อนเกินไป
- ▶ **นำแบตเตอรี่ที่ไม่ได้ใช้งานออกจากคลิป์บนกระดาษเหรียญ กุญแจ ตะปู สกรู หรือวัตถุโลหะขนาดเล็กอื่นๆ ที่สามารถเชื่อมต่อขั้วหนึ่งไปยังอีกขั้วหนึ่งได้** การลัดวงจรของขั้วแบตเตอรี่อาจทำให้เกิดการไหม้หรือไฟลุกได้
- ▶ **ใช้เฉพาะแบตเตอรี่จากผลิตภัณฑ์ของผู้ผลิต** ในลักษณะนี้ แบตเตอรี่แพ็คจะได้รับปกป้องจากการใช้งานเกินกำลังซึ่งเป็นอันตราย
- ▶ **ชาร์จแบตเตอรี่แพ็คด้วยเครื่องชาร์จของบริษัทผู้ผลิตแนะนำเท่านั้น**  
เครื่องชาร์จที่เหมาะสมสำหรับชาร์จแบตเตอรี่ประเภทหนึ่ง หากนำไปชาร์จแบตเตอรี่ประเภทอื่น อาจเกิดไฟไหม้ได้



**ปกป้องแบตเตอรี่จากความร้อน รวมทั้ง ต. ย. เช่น จากการถูกแสงแดดส่องต่อเนื่อง จากไฟลิ่งสปริง น้ำ และความชื้น** อันตรายจากการระเบิดและการลัดวงจร



- ▶ **ไม่ทำงานกับเครื่องดูด หากสายพ่วงด้วยสายสะพาย** ท่านอาจถูกสายสะพายรัดขณะดูดฝุ่นและทำให้อัมพาต
- ▶ **ใช้สายสะพายเฉพาะกับเครื่องดูดฝุ่นเท่านั้น**

## สัญลักษณ์

สัญลักษณ์ต่อไปนี้มีความสำคัญต่อการใช้งานเครื่องดูดฝุ่นของท่าน กรุณาจดจำสัญลักษณ์และความหมาย การแปลความหมายสัญลักษณ์อย่างถูกต้อง จะช่วยให้ท่านสามารถใช้เครื่องดูดฝุ่นได้อย่างปลอดภัยและดียิ่งขึ้น

### สัญลักษณ์และความหมายของสัญลักษณ์



**คำเตือน! อ่านคำเตือนเพื่อความปลอดภัยและคำแนะนำทั้งหมด** การไม่ปฏิบัติตามคำเตือนเพื่อความปลอดภัยและคำสั่งอาจเป็นสาเหตุให้ถูกไฟฟ้าดูด เกิดไฟไหม้ และ/หรือได้รับบาดเจ็บอย่างร้ายแรง



เครื่องดูดฝุ่นของรุ่นประเภท L ตามมาตรฐาน IEC/EN 60335-2-69 สำหรับดูดฝุ่นแห้งที่เป็นอันตรายต่อสุขภาพที่มีค่าขีดจำกัดการรับสัมผัส > 1 mg/m<sup>3</sup>



**คำเตือน! เครื่องดูดฝุ่นบรรจุฝุ่นที่เป็นอันตรายต่อสุขภาพ ให้ผู้เชี่ยวชาญทำการถ่ายผง และบำรุงรักษา รวมทั้งกำจัดถังเก็บฝุ่นเท่านั้น จำเป็นต้องใช้อุปกรณ์ป้องกันที่เหมาะสม อย่าใช้งานเครื่องดูดฝุ่นโดยไม่มีระบบกรองที่ครบถ้วนและสมบูรณ์ มิฉะนั้นจะเกิดอันตรายต่อสุขภาพของท่าน**

## คำอธิบายผลิตภัณฑ์และบริการ

กรุณาดูภาพประกอบในส่วนหน้าของคู่มือการใช้งาน

### ประโยชน์การใช้งานของเครื่อง

เครื่องดูดฝุ่นนี้ใช้สำหรับเก็บ ดูด ล้างเสียง และแยกฝุ่นแห้งไม่ไวไฟ ของเหลวไม่ไวไฟ และส่วนผสมของน้ำและลม เครื่องดูดฝุ่นนี้ผ่านการทดสอบทางเทคนิคเกี่ยวกับฝุ่นและสอดคล้องกับฝุ่นประเภท L เครื่องดูดฝุ่นนี้เหมาะสำหรับการใช้งานเชิงพาณิชย์ที่มีปริมาณงานเพิ่มขึ้น เช่น ในงานช่างฝีมือ อุตสาหกรรม และโรงซ่อมสร้าง

ตามมาตรฐาน IEC/EN 60335-2-69 เครื่องดูดฝุ่นของรุ่นประเภท L สามารถใช้เฉพาะสำหรับดูดออกและดูดฝุ่นที่เป็นอันตรายต่อสุขภาพที่มีค่าขีดจำกัดการรับสัมผัส > 1 mg/m<sup>3</sup> เท่านั้น

ใช้เครื่องดูดฝุ่นเมื่อท่านเข้าใจฟังก์ชันทั้งหมดอย่างครบถ้วนแล้วเท่านั้น และสามารถปฏิบัติงานได้อย่างไม่มีข้อจำกัด หรือเมื่อได้รับคำแนะนำที่เหมาะสม

### Rotational Airflow

ระบบกรองแบบโรตารี่เก็บฝุ่นช่วยประหยัดการใช้ถุงเก็บฝุ่นเก็บฝุ่นที่ฝังแน่นในของภาชนะ

### ส่วนประกอบที่แสดงภาพ

ลำดับเลขของส่วนประกอบผลิตภัณฑ์อ้างอิงถึงส่วนประกอบของเครื่องดูดฝุ่นที่แสดงในหน้าภาพประกอบ

- (1) ถังบรรจุ
- (2) ขอยึดสำหรับส่วนบนของเครื่องดูดฝุ่น
- (3) มุมเปิด-ปิด
- (4) ไฟแสดงสถานะการชาร์จแบตเตอรี่
- (5) ส่วนบนของเครื่องดูดฝุ่น
- (6) ต่ำมือ
- (7) ส่วนเชื่อมต่อสำหรับตัวยึดท่อดูด/ตัวยึดหัวฉีดพื้น
- (8) ส่วนเชื่อมต่อท่อ
- (9) ตาโกสำหรับยึด
- (10) เชื่อมต่อสำหรับตัวยึดท่อดูด/ตัวยึดหัวดูดชอกซอน
- (11) แบนปลดล็อกฝาช่องใส่แบตเตอรี่
- (12) ฝาช่องใส่แบตเตอรี่
- (13) ท่อดูด
- (14) ข้อต่อท่อดูดออก
- (15) หัวดูดโค้ง
- (16) หัวดูดสำหรับชอกมูม
- (17) หัวดูดพื้น
- (18) ท่อดูดแข็ง
- (19) ช่องใส่แบตเตอรี่
- (20) แบตเตอรี่แพ็ค<sup>a)</sup>
- (21) แบนปลดล็อกแบตเตอรี่แพ็ค<sup>a)</sup>
- (22) สกรูยึด

- (23) แผ่นมอง  
 (24) ตัวยึดฝาช่องใส่แบตเตอรี่  
 (25) ตัวยึดสำหรับท่อดูด/ตัวยึดหัวดูดชอกซอน  
 (26) สกรูยึดสำหรับตัวยึด (27)  
 (27) ตัวยึดสำหรับท่อดูดและหัวดูดพื้น  
 (28) ปุ่มกด  
 (29) สายสะพาย<sup>a)</sup>  
 (30) ลูกกลิ้ง<sup>a)</sup>  
 (31) ส่วนเชื่อมต่อลูกกลิ้ง  
 (32) ช่องจ่ายอากาศ  
 (33) ตัวกรอง  
 (34) ลูกลอย  
 (35) ที่ยึดตัวกรอง  
 (36) สายคล้องท่อดูด

a) อุปกรณ์เสริมนี้ไม่อยู่ในรายการอุปกรณ์มาตรฐานที่จัดส่ง

### ข้อมูลทางเทคนิค

เครื่องดูดฝุ่นเปียก/แห้งแบบไร้สาย		GAS 18V-10 L
หมายเลขสินค้า		3 601 JC6 3..
แรงดันไฟฟ้า	โวลท์	18
กำลังไฟฟ้กัก	วัตต์	260
ปริมาตรถังบรรจุ (รวมทั้งหมด)	ลิตร	10
ปริมาตรสุทธิ (ช่องเหลว)	ลิตร	6
แรงดูดสูงสุด <sup>A)</sup>		
- เครื่องดูดฝุ่น <sup>B)</sup>	hPa	90
- เทอร์โบ	hPa	115
อัตราการไหลสูงสุด <sup>A)</sup>		
- เครื่องดูดฝุ่น <sup>B)</sup>	l/s	24
	m <sup>3</sup> /h	86
- เทอร์โบ	l/s	34
	m <sup>3</sup> /h	122
ช่วงเวลาดำเนินการต่อการชาร์จแบตเตอรี่	min/Ah	4
ฝุ่นประเภท		L
น้ำหนักตามระเบียบการ EPTA-Procedure 01:2014	กก.	5.1-6.1 <sup>C)</sup>
ประเภทการป้องกัน		IPX4
อุณหภูมิโดยรอบที่แนะนำเมื่อชาร์จ	°C	0 ... +35
อุณหภูมิโดยรอบที่อนุญาตเมื่อใช้งาน <sup>D)</sup> และเมื่อจัดเก็บ	°C	-20 ... +50
แบตเตอรี่แบบชาร์จได้ที่แนะนำ		GBA 18V... ProCORE18V...

เครื่องดูดฝุ่นเปียก/แห้งแบบไร้สาย	GAS 18V-10 L
เครื่องชาร์จที่แนะนำ	GAL 18... GAX 18... GAL 36...

- A) ดำเนินการวัด ณ อุณหภูมิ 20-25 °C พร้อมแบตเตอรี่ GBA 18V 6.3Ah  
 B) วัดด้วยท่อดูด (13) และหัวดูดโค้ง (15)  
 C) ขึ้นอยู่กับแบตเตอรี่แพ็คเกจที่ใช้  
 D) สมรรถภาพจะน้อยลงที่อุณหภูมิ < 0 °C

ค่าอาจแตกต่างกันไปตามผลิตภัณฑ์และขึ้นอยู่กับเงื่อนไขการใช้งานและสภาพแวดล้อม โปรดดูข้อมูลเพิ่มเติมที่เว็บไซต์ [www.bosch-professional.com/wac](http://www.bosch-professional.com/wac)

### แบตเตอรี่

Bosch ยังมีเครื่องดูดฝุ่นไร้สายที่ไม่ได้มาพร้อมกับแบตเตอรี่แบบชาร์จได้วางจำหน่าย คุณสามารถดูว่าเครื่องดูดฝุ่นมีแบตเตอรี่รวมอยู่ในขอบเขตการจัดส่งหรือไม่บนบรรจุภัณฑ์

### การชาร์จแบตเตอรี่

▶ ใช้เฉพาะเครื่องชาร์จแบตเตอรี่ที่ระบุในข้อมูลทางเทคนิคเท่านั้น เฉพาะเครื่องชาร์จแบตเตอรี่เหล่านี้เท่านั้นที่เข้าชุดกับแบตเตอรี่ลิเธียมไอออน ที่ใช้ในเครื่องดูดฝุ่นของท่าน

หมายเหตุ: แบตเตอรี่ลิเธียมไอออนถูกจัดตั้งโดยมีการชาร์จไฟบางส่วนตามระเบียบข้อบังคับด้านการขนส่งระหว่างประเทศ เพื่อให้แน่ใจว่าแบตเตอรี่จะทำงานได้อย่างสมบูรณ์แบบ ก่อนใช้งานครั้งแรกให้ชาร์จแบตเตอรี่จนเต็ม

### การใส่และการถอดแบตเตอรี่ (ดูภาพประกอบ A1-A2)

- ▶ **อย่าใช้กำลังแรงเมื่อใส่แบตเตอรี่** เดอริ์ถูกออกแบบไว้โดยลักษณะที่แบตเตอรี่จะสามารถใส่เข้าไปในผลิตภัณฑ์ใดเมื่ออยู่ในตำแหน่งที่ถูกต้องเท่านั้น
- ▶ รักษาช่องใส่แบตเตอรี่และช่องแบตเตอรี่ให้สะอาดและแห้งอยู่เสมอ เพื่อให้ทำงานได้อย่างเหมาะสมและปลอดภัย
- กดปุ่มปลดล็อก (11) เพื่อเปิดฝาครอบแบตเตอรี่ (12)
  - เลื่อนแบตเตอรี่ (20) เข้าในช่องใส่แบตเตอรี่ (19) จนสุดจนได้ยินเสียงล็อกเขา
  - เมื่อต้องการถอดแบตเตอรี่ (20) ออกให้กดปุ่มปลดล็อก (21) ที่แบตเตอรี่และดึงแบตเตอรี่ออกจากช่องใส่แบตเตอรี่ (19)
  - เชื่อมต่อฝาช่องใส่แบตเตอรี่ (12)

### เปลี่ยนฝาช่องใส่แบตเตอรี่ (ดูภาพประกอบ A3-A5)

หากต้องการใช้ ProCORE18V 12Ah จากนั้นฝาช่องใส่แบตเตอรี่ (12) จะไม่สามารถเชื่อมต่อได้อีกครั้งสามารถเปลี่ยนฝาช่องใส่แบตเตอรี่ (12) แผ่นมอง (23) ที่ออกแบบมาเพื่อจุดประสงค์นี้

เครื่องดูดฝุ่นสามารถใช้ได้เฉพาะกับฝาช่องใส่แบตเตอรี่ภายในที่ปิดในสภาพแวดล้อมที่ชื้นหรือเปียก

**การถอดฝาช่องใส่แบตเตอรี่ (ดูภาพประกอบ A3)**

ถอดแบตเตอรี่ (20) ออกจากช่องใส่แบตเตอรี่ (19).

ถอดสกรูยึดสอตตัว (22) (ST4×12) ด้วยไขควงปากแฉก PH1 แล้วถอดฝาปิดช่องใส่แบตเตอรี่ (12)

**การใส่แผ่นมอง (ดูภาพประกอบ A4)**

กุดตัวยึด (24) ของฝาช่องใส่แบตเตอรี่ลงและเลื่อนแผ่นมอง เขา (23)

**การถอดแผ่นมอง (ดูภาพประกอบ A5)**

ใส่ไขควงปากแบน เลื่อนจอกกลับเล็กน้อย แล้วดึงแผ่นมอง (23) ไปทางด้านหลังและดึงแผ่นมองออก ขณะเดียวกันให้ กุดตัวยึด (24) ของฝาช่องใส่แบตเตอรี่ลง

**ไฟแสดงสถานะการชาร์จแบตเตอรี่**



เมื่อใส่แบตเตอรี่แล้ว คุณจะเห็นสถานะการชาร์จบนตัวแสดง สถานะการชาร์จแบตเตอรี่ (4) บนเครื่องดูดฝุ่น และบนตัว แบตเตอรี่เองเมื่อถอดแบตเตอรี่ออก

**ไฟแสดงสถานะการชาร์จแบตเตอรี่ที่เครื่องดูดฝุ่น**

หลังจากเปิดเครื่องดูดฝุ่นแล้ว ไฟ LED สีเขียว 5 ดวงของไฟ แสดงสถานะการชาร์จแบตเตอรี่ (4) จะสว่างขึ้นทีละดวง โดยเรียงลำดับจากน้อยไปมากและจากมากไปน้อยไฟ LED จะแสดงสถานะการชาร์จของแบตเตอรี่ (20)

**ไฟแสดงสถานะการชาร์จแบตเตอรี่ที่แบตเตอรี่**

หากถอดแบตเตอรี่ออกจากเครื่องดูดฝุ่น สถานะการชาร์จจะ แสดงด้วยไฟ LED สีเขียวของไฟแสดงสถานะการชาร์จบน แบตเตอรี่

กดปุ่มสำหรับไฟแสดงสถานะการชาร์จแบตเตอรี่  หรือ  เพื่อแสดงสถานะการชาร์จ

หลังจากกดปุ่มสำหรับไฟแสดงสถานะการชาร์จแบตเตอรี่แล้ว ไฟ LED ไม่ติดขึ้น แสดงว่าแบตเตอรี่บกพร่องและต้องเปลี่ยน ใหม่

หมายเหตุ: ไม่ใช่แบตเตอรี่ทุกประเภทที่จะมีไฟแสดงระดับการ ชาร์จ

**แบตเตอรี่ชนิด GBA 18V...**

LED	ความจุ
ส่องสว่างต่อเนื่อง 3× สีเขียว	60-100 %
ส่องสว่างต่อเนื่อง 2× สีเขียว	30-60 %
ส่องสว่างต่อเนื่อง 1× สีเขียว	5-30 %
ไฟกะพริบ 1× สีเขียว	0-5 %

**แบตเตอรี่ชนิด ProCORE18V...**

LED	ความจุ
ส่องสว่างต่อเนื่อง 5× สีเขียว	80-100 %
ส่องสว่างต่อเนื่อง 4× สีเขียว	60-80 %

LED	ความจุ
ส่องสว่างต่อเนื่อง 3× สีเขียว	40-60 %
ส่องสว่างต่อเนื่อง 2× สีเขียว	20-40 %
ส่องสว่างต่อเนื่อง 1× สีเขียว	5-20 %
ไฟกะพริบ 1× สีเขียว	0-5 %

**ข้อแนะนำในการปฏิบัติต่อแบตเตอรี่อย่างเหมาะสมที่สุด**

ปกป้องแบตเตอรี่จากความชื้นและน้ำ

เก็บรักษาแบตเตอรี่แพ็คในช่วงอุณหภูมิ  $-20^{\circ}\text{C}$  ถึง  $50^{\circ}\text{C}$  เท่านั้น อย่าปล่อยให้วางแบตเตอรี่แพ็คไว้ในรถยนต์ในช่วงฤดูร้อน

ทำความสะอาดช่องระบายอากาศเป็นครั้ง

คราวโดยไขประจนอ่อนที่แห้งและสะอาด

หลังจากชาร์จแบตเตอรี่แล้ว หากแบตเตอรี่

แพ็คมีช่วงเวลาดำเนินงานสั้นมาก แสดงว่าแบตเตอรี่

แพ็คเสื่อมและต้องเปลี่ยนใหม่

อ่านและปฏิบัติตามข้อสังเกตสำหรับการกำจัดขยะ

**การติดตั้ง**

- ▶ ถอดแบตเตอรี่ออกก่อนซ่อมบำรุงหรือทำความสะอาด เครื่องดูด ปรังค์ค่า เปลี่ยนชิ้นส่วนอุปกรณ์ประกอบ หรือ จัดเก็บเครื่องดูด มาตรการเพื่อความปลอดภัยนี้จะป้องกัน ไม่ให้เครื่องดูดฝุ่นติดขึ้นโดยไม่ตั้งใจ

**การติดตั้งตัวยึดสำหรับอุปกรณ์ดูด (ดูภาพประกอบ B)**

- ดันตัวยึด (25) สำหรับท่อดูดและหัวดูดชอกซอนเข้าไปในตัวยึดที่มีอยู่ (10) จากด้านบนในแนวนจนกระทั่งคลิกเข้าที่
- ดันตัวยึด (27) สำหรับท่อดูดและหัวดูดชอกซอนเข้าไปในตัวยึดที่มีอยู่ (7) และขันสกรูยึดไทแทน (26)

**การติดตั้งดีดท่อดูด (ดูภาพประกอบ C)**

- เสียบท่อดูด (13) เข้าบนท่อดูด (8) จนได้ยินเสียงบ่มกต ทั้งสอง (28) ของท่อดูดล็อกเข้าที่

หมายเหตุ: ในขณะที่ดูดฝุ่นจะมีไฟฟ้าสถิตในท่อดูดและอุปกรณ์ดูดซึ่งเกิดจากการเสียดสีของฝุ่นละออง และผู้ใช้งานสามารถรู้สึกได้ในรูปแบบของการถ่ายเทประจุไฟฟ้าสถิต (ขึ้นอยู่กับสภาพแวดล้อมและการรับรูทางกายภาพ)

**การติดตั้งอุปกรณ์ดูด**

ท่อดูด (13) มีระบบคลิปที่สามารถเชื่อมต่อกับอุปกรณ์ดูดได้ (ชอตดูด (14) หัวดูดโคจ (15))

**การติดตั้งมอเตอร์ดูดฝุ่นหรือหัวดูดปลายโค้ง (ดูภาพประกอบ D)**

เสียบมอเตอร์ดูดฝุ่น (14) หรือหัวดูดปลายโค้ง (15) เข้าบนท่อดูด (13) จนได้ยินเสียงบ่มกตทั้งสอง (28) ของท่อดูด ขบเข้าล็อก

เมื่อต้องการถอดออก ให้กดปุ่มกด (28) เข้าด้านในและดึง ชิ้นส่วนออกจากกัน

### การติดตั้งหัวดูดและท่อดูดแข็ง

- หากจำเป็นให้เสียบท่อดูด (18) เข้าด้วยกันให้แน่นแล้วเข้ากับหัวดูดแบบโค้ง (15)
- เชื่อมต่อหัวดูดพื้น (17) หรือหัวดูดชอกซอน (16) อย่างแน่นหนากับท่อดูด (18) หรือหัวดูดโค้ง (15)

### การยึดสายสะพาย (อุปกรณ์เสริม) (ดูภาพประกอบ E)

- ▶ สายสะพายเหมาะสำหรับใช้สวมและยึดเครื่องดูดฝุ่นไว้เท่านั้น!

คลิกของเกี่ยวของสายคล้องสะพาย (29) ในคู่มือ (9) ของเครื่องดูด

### การติดตั้งลูกกลิ้ง (อุปกรณ์เสริม) (ดูภาพประกอบ F)

ใส่หมุดยึด 4 ของลูกกลิ้ง (30) เข้าไปในที่ยึดลูกกลิ้ง (31) นกว่าจะได้ยินเสียงคลิกเข้าที่

สามารถใช้ลูกกลิ้งอื่นๆ ตามมาตรฐาน EN 12529 (เส้นผ่านศูนย์กลางหมุดยึด 11 มม.) ได้เช่นกัน

- ▶ ตรวจสอบการทำงานของลูกกลิ้งเมรก่อนใช้เครื่องดูดฝุ่น

### การปฏิบัติงาน

- ▶ ถอดแบตเตอรี่ออกก่อนซ่อมบำรุงหรือทำความสะอาดเครื่องดูด ปรับตั้งค่า เปลี่ยนชิ้นส่วนอุปกรณ์ประกอบ หรือจัดเก็บเครื่องดูด มาตรการเพื่อความปลอดภัยนี้จะป้องกันไม่ให้เครื่องดูดฝุ่นติดขึ้นโดยไม่ตั้งใจ
- ▶ ตรวจสอบให้แน่ใจว่า พื้นที่ทำงานสะอาดและเบียร์ระเบียบเรียบร้อย เนื่องจากอาจเสี่ยงต่อการสะตุคลมได้

### การเริ่มต้นปฏิบัติงาน

- ▶ ห้ามใช้เครื่องดูดฝุ่นโดยไม่มีตัวกรองเด็ดขาด
- ▶ ใช้ตัวกรองที่ไม่เสียหายเท่านั้น (ไม่มีรอยแตก ไม่มีรู ฯลฯ) เปลี่ยนตัวกรองที่เสียหายทันที
- ▶ ตรวจสอบให้แน่ใจว่าติดตั้งตัวกรองอย่างแน่นหนา
- ▶ ตรวจสอบให้แน่ใจว่าติดตั้งฝาช่องใส่แบตเตอรี่อย่างแน่นหนา
- ▶ กรุณาอ่านกฎระเบียบ/กฎหมายเกี่ยวกับการจัดการกับฝุ่นที่เป็นอันตรายต่อสุขภาพที่บังคับใช้ในประเทศของท่านอย่างละเอียด
- ▶ ฝุ่นที่ติดด้วยชุดเครื่องมือไฟฟ้าและระบบที่กำหนดไว้อย่างชัดเจน ซึ่งได้รับการพิสูจน์แล้วว่าไม่ละเอียดกว่าที่กำหนดตามกฎหมายเท่านั้น คุณสามารถศึกษาข้อมูลเพิ่มเติมได้ที่ <http://www.bosch-professional.com/dust>

โดยหลักการแล้ว ต้องไม่ใช่เครื่องดูดฝุ่นในบริเวณที่อาจเกิดการระเบิดได้

เพื่อให้เครื่องดูดฝุ่นทำงานมีประสิทธิภาพสูงสุด ต้องคลายท่อดูด (13) ทั้งหมดออกจากตัวยึดของเครื่องดูดฝุ่น (27) เสมอ

### การเปิด-ปิดเครื่อง

เปิดสวิตช์เครื่องดูดฝุ่นโดยกดปุ่มเปิด-ปิด (3)

ปิดสวิตช์เครื่องดูดฝุ่นโดยกดปุ่มเปิด-ปิด (3) อีกครั้ง

เพื่อความปลอดภัย เครื่องดูดฝุ่นจะไม่เปิดหากกดปุ่มเปิด-ปิด (3) นานกว่า 5 วินาที

### การดูดแห้ง

การดูดฝุ่นที่เกิดจากการทำงานของเครื่องมือไฟฟ้า (ดูภาพประกอบ G)

- ▶ เมื่อลมที่ปล่อยออกมาหมุนเวียนอยู่ในห้อง ในห้องจึงต้องมีอัตราการระบายอากาศที่เพียงพอ ปฏิบัติตามกฎระเบียบที่เกี่ยวข้องของประเทศ

- ติดตั้งขอตูดดูด (14) หรือหัวฉีดแบบโค้ง (15) (ดู "การติดตั้งแอดปเตอรูดดูดฝุ่นหรือหัวดูดปลายโค้ง (ดูภาพประกอบ D)", หน้า 55)
- เสียบขอตูดดูด (14) หรือหัวฉีดแบบโค้ง (15) เข้าในท่อเชื่อมต่อของเครื่องมือไฟฟ้า

เมื่อใช้ขอตูดดูด (14) เท่านั้น:

**หมายเหตุ:** เมื่อทำงานร่วมกับเครื่องมือไฟฟ้าที่มีการบ่อนอากาศเข้าในท่อดูดน้อย (เช่น เลื่อยฉล เครื่องขัด ฯลฯ) ต้องเปิดช่องจ่ายอากาศ (32) ที่ขอตูดดูด (14) ซึ่งจะช่วยให้ปรับปรุงประสิทธิภาพโดยรวมของเครื่องดูดฝุ่นและเครื่องมือไฟฟ้า หมุนวงแหวนบนช่องจ่ายอากาศ (32) ไปจนใต้ช่องเปิดกว้างที่สุด

### การดูดเปียก

- ▶ อย่าใช้เครื่องดูดฝุ่นเพื่อดูดของเหลวที่ไวไฟหรือระเบิดได้ ตัวอย่าง เช่น เบนซิน น้ำมัน แอลกอฮอล์ ตัวทำละลาย ยาดูดฝุ่นที่ร้อน ลูกใหม่ หรือระเบิดได้ อย่าใช้เครื่องดูดฝุ่นทำงานในบริเวณที่อาจเกิดระเบิดได้ ฝุ่น ไอระเหย หรือของเหลวอาจลุกเป็นไฟหรือระเบิดได้

### ก่อนการดูดเปียก

- ถ่ายถึงบรรจ (1)
- ทำความสะอาดตัวกรอง (33) แล้วใส่กลับเข้าไปในเครื่องดูด (ดู "การทำความสะอาด/การเปลี่ยนตัวกรอง (ดูภาพประกอบ I1-I2)", หน้า 57)

เครื่องดูดฝุ่นมีลูกลอย (34) ติดตั้งอยู่ เมื่อเติมถึงระดับสูงสุด เครื่องดูดฝุ่นจะหยุดทำงาน

### หลังการดูดเปียก

- ถ่ายถึงบรรจ (1)
- ถ่ายน้ำออกจากตัวกรอง (33)

### หลังจากดูดฝุ่นแบบเปียกเพื่อป้องกันการเติบโตของเชื้อรา

- นำส่วนบนของเครื่องดูดฝุ่น (5) ออกและปล่อยให้แห้งสนิท
- นำแผ่นกรอง (33) ออก แล้วปล่อยให้แห้งดี (ดู "การทำความสะอาด/การเปลี่ยนตัวกรอง (ดูภาพประกอบ I1-I2)", หน้า 57)

### การบำรุงรักษาและการบริการ

#### การบำรุงรักษาและการทำความสะอาด

- ▶ ถอดแบตเตอรี่ออกก่อนซ่อมบำรุงหรือทำความสะอาดเครื่องดูด ปรับตั้งค่า เปลี่ยนชิ้นส่วนอุปกรณ์ประกอบ หรือจัดเก็บเครื่องดูด มาตรการเพื่อความปลอดภัยนี้จะป้องกันไม่ให้เครื่องดูดฝุ่นติดขึ้นโดยไม่ตั้งใจ



- ▶ **รักษาเครื่องดูดฝุ่นและช่องระบายอากาศให้สะอาดเพื่อจะ**  
**ได้ทำงานได้อย่างปลอดภัยและมีประสิทธิภาพ**
- ▶ **สวมหมวกกันน็อกกันฝุ่นเมื่อบำรุงรักษาและทำความสะอาด**  
**เครื่องดูดฝุ่น**

ทำความสะอาดตัวเครื่องดูดฝุ่นเป็นครั้งคราวด้วยผ้าชุบน้ำ  
หมาด ๆ

ทำความสะอาดพื้นผิวจุดชาร์จที่สกปรกด้วยผ้าแห้ง

- ▶ **ห้ามทำความสะอาดเครื่องดูดฝุ่นโดยโซลันต์** เนื่องจาก  
อาจทำให้ตัวกรองหรือส่วนประกอบอื่นๆ ชำรุดเสียหายได้
- เครื่องดูดฝุ่นต้องได้รับการตรวจสอบทางเทคนิคเกี่ยวกับระบบ  
ดูดฝุ่นน้อยปีละครั้ง ซึ่งดำเนินการโดยบริษัทผู้ผลิตหรือ  
บุคคลผู้ได้รับคำแนะนำ (เช่น ตรวจสอบเช็คความชำรุดเสียหาย  
ของตัวกรอง การรั่วไหลที่ตัวเครื่อง และการทำงานอย่างมี  
ประสิทธิภาพของอุปกรณ์ควบคุมต่างๆ)

#### **การทำความสะอาดและการบำรุงรักษาหลังการดูดฝุ่นซึ่งมี สารที่เป็นอันตรายต่อสุขภาพ**

- โปรดคำนึงว่าชิ้นส่วนทั้งหมดที่สัมผัสถูกสารที่เป็นอันตราย  
ต่อสุขภาพถือเป็นชิ้นส่วนที่มีการปนเปื้อน
- ให้ออกอากาศดูดฝุ่น ปิด และหุ้มปิดด้านนอกเครื่องดูดฝุ่นให้ทั่ว  
ก่อนนำออกจากบริเวณซึ่งมีสารที่เป็นอันตรายต่อสุขภาพ
- ทำความสะอาด ถอด และบำรุงรักษาเครื่องดูดฝุ่นต่อเมื่อ  
การดำเนินการดังกล่าวไม่ก่อให้เกิดอันตรายต่อคุณและ  
บุคคลอื่นๆ สวมใส่อุปกรณ์ป้องกันร่างกายขณะบำรุงรักษา  
และทำความสะอาดเครื่อง โดยดำเนินการดังกล่าวเมื่ออยู่ใน  
ห้องที่มีอากาศถ่ายเทได้ดี
- ทำความสะอาดด้านนอกเครื่องดูดฝุ่นเป็นขั้นตอนแรกก่อน  
ที่จะทำการถอดประกอบ
- กำจัดชิ้นส่วนทุกชิ้นของเครื่องดูดฝุ่นที่ไม่สามารถทำความสะอาด  
ให้สะอาดให้โดยผลเป็นที่น่าพอใจ โดยทิ้งในถุงที่มีคุณสมบัติกัน  
การรั่วซึม ทั้งนี้ให้ปฏิบัติตามข้อกำหนดที่มีผลบังคับใช้สำหรับการ  
กำจัดทิ้งขยะประเภทดังกล่าว
- ทำความสะอาดบริเวณบำรุงรักษาหลังเสร็จสิ้นการทำงาน  
ดังกล่าว

#### **ทำความสะอาดภาชนะ (ดูภาพประกอบ H1-H2)**

ทำความสะอาดภาชนะ (1) หลังการใช้งานแต่ละครั้งเพื่อให้  
เครื่องดูดฝุ่นทำงานได้ดีที่สุด

- เปิดขอยึด (2) และถอดส่วนบนของเครื่องดูดฝุ่น (5) ออก
- เขย่าภาชนะ (1) บนถังขยะที่เหมาะสม
- หากจำเป็น ให้ทำความสะอาดภาชนะด้วยผ้าชุบน้ำหมาดๆ  
หากจำเป็น ให้ทำความสะอาดตัวกรอง (ดู "การทำความสะอาด/  
การเปลี่ยนตัวกรอง (ดูภาพประกอบ I1-I2)",  
หน้า 57) ที่อยู่ด้านหลังหรือด้านข้างอื่นๆ
- สวมส่วนบนของเครื่องดูดฝุ่น (5) ลงและปิดขอยึดเข้าอีก  
ครั้ง (2)

#### **การทำความสะอาด/การเปลี่ยนตัวกรอง (ดูภาพประกอบ I1-I2)**

ประสิทธิภาพในดูดขึ้นอยู่กับสภาพของตัวกรอง คุณจึงควร

ทำความสะอาดแผ่นกรองอย่างสม่ำเสมอ

เปลี่ยนตัวกรองในที่นี้

- เปิดขอยึด (2) และถอดส่วนบนของเครื่องดูดฝุ่น (5) ออก
- หมุนตัวกรอง (33) ไปในทิศทางหมุน ⚙️ จนสุด และดึงท่อ  
ดูดออกจากส่วนยึดตัวกรอง (35)

- ตัวกรองแห้ง:  
เคาะตัวกรอง (33) ลงในภาชนะรองที่เหมาะสม ระวังอย่า  
ให้คริมของตัวเสียดหาย  
เพื่อให้ได้พลังดูดสูงสุดให้แปรงแผ่นกรองด้วยแปรงขนนุ่ม  
หรือ  
ตัวกรองเปียก:  
ล้างตัวกรอง (33) โดยให้น้ำไหลผ่านแล้วปล่อยให้แห้ง  
อย่างทั่วถึง  
หรือ  
เปลี่ยนตัวกรองที่เสียดหาย (33)
- เลียบตัวกรอง (33) เหนือที่ยึดตัวกรอง (35) แล้วหมุนไป  
ในทิศทางการหมุนจนสุด ⚙️
- สวมส่วนบนของเครื่องดูดฝุ่น (5) ลงและปิดขอยึดเข้าอีก  
ครั้ง (2)  
ตรวจสอบให้แน่ใจว่าสลักล็อกเข้าที่อย่างแน่นหนา

#### **ความขัดข้อง**

หากพลังดูดไม่เพียงพอ:

- ให้ตรวจสอบ: ภาชนะ (1) เต็มหรือไม่?  
▷ (ดู "ทำความสะอาดภาชนะ (ดูภาพประกอบ  
H1-H2)", หน้า 57)
- โส้กรอง (33) มีฝุ่นอุดตันหรือไม่?  
▷ (ดู "การทำความสะอาด/การเปลี่ยนตัวกรอง (ดูภาพ  
ประกอบ I1-I2)", หน้า 57)
- ความจุของแบตเตอรี่อ่อนเกินไปหรือไม่?  
▷ ชาร์จแบตเตอรี่

การล้างภาชนะ (1) และการทำความสะอาดตัวกรอง (33)  
เป็นประจำช่วยให้อุ่นใจได้ถึงประสิทธิภาพการดูดสูงสุด  
หากกำลังการดูดฝุ่นหลังจากนั้นยังไม่ถึงระดับที่กำหนด โปรด  
ติดต่อศูนย์บริการลูกค้าของBosch

#### **การจัดเก็บ (ดูภาพประกอบ J)**

- เลียบท่อดูดแข็ง (18) ไว้ในที่ยึด (25)
- ใส่หัวดูดชอกซอน (16) เข้าในท่อดูด (18)
- ใส่หัวฉีดพื้น (17) เข้าในตัวยึด (27)
- พันท่อดูด (13) รอบตัวยึด (27) จากด้านล่างและยึดสาย  
รัด (36)
- ลือหรือหิ้วเครื่องดูดฝุ่นเท่านั้น (6) หรือหิ้วเครื่องดูดฝุ่น  
(หากมี)
- เก็บเครื่องดูดฝุ่นในห้องที่แห้งและปิดแน่นเพื่อป้องกันการ  
การนำออกมาใช้โดยไม่ได้รับอนุญาต

#### **การบริการหลังการขายและการให้คำปรึกษาการใช้ งาน**

ศูนย์บริการหลังการขายของเรายินดีตอบคำถามของ  
ท่านที่เกี่ยวกับการบำรุงรักษาและการซ่อมแซมผลิตภัณฑ์รวม  
ทั้งเรื่องอะไหล่ ภาพเขียนแบบการประกอบและข้อมูลเกี่ยวกับ  
อะไหล่ กรุณาดูใน: [www.bosch-pt.com](http://www.bosch-pt.com)

ทีมงานที่ปรึกษาของ บอช ยินดีให้ข้อมูลเกี่ยวกับผลิตภัณฑ์  
ของเราและอุปกรณ์ประกอบต่างๆ

เมื่อต้องการสอบถามและสั่งซื้ออะไหล่ กรุณาแจ้งหมายเลข  
สินค้า 10 หลักบนแผ่นป้ายรุ่นของผลิตภัณฑ์ทุกครั้ง

#### **ไทย**

ไทย บริษัท โรเบิร์ต ม็ช จำกัด  
เอพวยไอ เซ็นเตอร์ อาคาร 1 ชั้น 5  
เลขที่ 2525 ถนนพระราม 4

แขวงคลองเตย เขตคลองเตย กรุงเทพฯ 10110

โทร: +66 2012 8888

แฟกซ์: +66 2064 5800

www.bosch.co.th

ศูนย์บริการซ่อมและฝึกอบรม บอช

อาคาร ลาซาลทาวเวอร์ ชั้น G ห้องเลขที่ 2

บ้านเลขที่ 10/11 หมู่ 16

ถนนศรีนครินทร์ ตำบลบางแก้ว อำเภอบางพลี

จังหวัดสมุทรปราการ 10540

ประเทศไทย

โทรศัพท์ 02 7587555

โทรสาร 02 7587525

สามารถดูที่อยู่ศูนย์บริการอื่นๆ ได้ที่:

www.bosch-pt.com/serviceaddresses

### การขนส่ง

แบตเตอรี่ลิเธียมไอออนที่แนะนำให้ใช้ อยู่ภายใต้ข้อกำหนดทางกฎหมายสินค้าอันตราย ผู้ใช้สามารถขนส่งแบตเตอรี่แบบชาร์จได้บนเส้นทางถนนโดยไม่มีข้อบังคับเพิ่มเติม

สำหรับการจัดส่งโดยบุคคลที่สาม (เช่น: การขนส่งทางอากาศหรือตัวแทนขนส่งสินค้า) จำเป็นต้องปฏิบัติตามข้อกำหนดพิเศษเกี่ยวกับการบรรจุภัณฑ์และการติดฉลากสำหรับการจัดเตรียมสิ่งของที่จะจัดส่ง จำเป็นต้องปรึกษาผู้เชี่ยวชาญด้านวัตถุอันตราย

ส่งแบตเตอรี่แพ็คเมื่อตัวหม้อไม่ชำรุดเสียหายเท่านั้น ไข่ถนอม กาวพันปิดหน้าสัมผัสที่เปิดอยู่ และนำแบตเตอรี่แพ็คใส่กล่องบรรจุโดยไม่ให้เคลื่อนไปมาในกล่องใด นอกจากนี้ กรุณาปฏิบัติตามกฎระเบียบของประเทศซึ่งอาจมีรายละเอียดเพิ่มเติม

### การกำจัดขยะ



เครื่องดูดฝุ่น แบตเตอรี่ อุปกรณ์ประกอบ และ ทัีบห่อ ต้องนำไปแยกประเภทวัสดุเพื่อนำกลับมาใช้ใหม่โดยไม่ทำลายสภาพแวดล้อม



อย่าทิ้งเครื่องดูดฝุ่นและแบตเตอรี่แพ็ค/แบตเตอรี่ลงในขยะบ้าน!

### แบตเตอรี่แพ็ค/แบตเตอรี่:

#### ลิเธียม ไอออน:

กรุณาปฏิบัติตามคำแนะนำในบทความขยาย (ดู "การขนส่ง", หน้า 58) ที่อยู่ด้านหลังหรือด้านหลังซ้าย

## Bahasa Indonesia

### Petunjuk Keselamatan untuk Alat Pengisap



Bacalah semua petunjuk keselamatan dan petunjuk penggunaan. Kesalahan dalam menjalankan petunjuk keselamatan dan petunjuk penggunaan dapat mengakibatkan kontak listrik, kebakaran dan/atau luka-luka yang berat. Simpan semua peringatan dan petunjuk kerja untuk keperluan di waktu yang akan datang.

► **Alat pengisap ini tidak dirancang untuk digunakan oleh anak-anak dan orang yang memiliki keterbatasan fisik, mental atau sensorik, atau kurangnya pengalaman dan pengetahuan.** Jika tidak, hal tersebut dapat menimbulkan risiko kesalahan pengoperasian dan menyebabkan cedera.

► **Awasi anak Anda.** Dengan demikian, Anda dapat memastikan anak-anak tidak bermain dengan alat pengisap.

► **Patuhi semua peraturan keselamatan untuk zat yang akan diisap.**

► **Jangan digunakan untuk mengisap serpihan kayu beech atau kayu oak atau asbes.** Serpihan bebatuan hanya boleh diisap sehubungan dengan sistem ekstraksi yang secara eksplisit disetujui oleh Bosch untuk digunakan dengan GAS 18V-10 L. Bahan-bahan tersebut termasuk zat karsinogenik.

⚠ **PERINGATAN** Gunakan alat pengisap hanya jika Anda telah memiliki informasi yang cukup mengenai penggunaan alat pengisap, material yang diisap, dan pembuangan yang aman.

Mengikuti instruksi dengan hati-hati dapat mengurangi kesalahan pengoperasian dan cedera.

⚠ **PERINGATAN** Alat pengisap cocok digunakan untuk membersihkan material yang kering dan juga untuk membersihkan cairan dengan tahapan yang sesuai. Masuknya cairan ke dalam alat dapat meningkatkan risiko sengatan listrik.

► **Jangan gunakan alat pengisap untuk mengisap cairan yang mudah terbakar dan dapat meledak, misalnya bensin, oli, alkohol, zat pelarut. Jangan mengisap**

debu panas, debu yang terbakar atau eksplosif. Jangan mengoperasikan alat pengisap di ruangan yang dapat memicu ledakan. Debu, uap, atau cairan dapat terbakar atau meledak.

**⚠ PERINGATAN** Segera matikan alat pengisap jika terdapat busa atau air yang keluar dan kosongkan wadahnya. Jika tidak, alat pengisap dapat rusak.

- ▶ **PERHATIAN!** Alat pengisap hanya boleh disimpan di dalam ruangan.
- ▶ **PERHATIAN!** Bersihkan pelampung secara rutin dan periksa apakah terdapat kerusakan. Fungsi dapat terganggu jika terdapat kerusakan.
- ▶ Upayakanlah agar ada pertukaran udara di tempat kerja.
- ▶ Serahkan perbaikan alat pengisap hanya pada petugas resmi dengan menggunakan suku cadang asli. Dengan demikian, keselamatan kerja dengan alat pengisap selalu terjamin.

**⚠ PERINGATAN** Alat pengisap berisi debu yang berisiko bagi kesehatan. Lakukan proses pengosongan, perawatan, pembersihan kontainer debu hanya oleh orang yang ahli. Diperlukan peralatan keselamatan yang sesuai. Jangan mengoperasikan alat pengisap tanpa sistem penyangring yang lengkap dan terpasang dengan cermat. Jika tidak, hal tersebut dapat membahayakan kesehatan.

- ▶ Periksa kondisi slang pengisap yang sesuai sebelum memulai pengoperasian awal. Selain itu, biarkan slang pengisap terpasang pada alat agar debu tidak keluar. Jika tidak, bisa jadi Anda menghirup debu.
- ▶ Jangan membersihkan alat pengisap di bawah air yang mengalir langsung. Air yang masuk ke bagian atas alat pengisap dapat menimbulkan risiko terjadinya kontak listrik.
- ▶ Jangan membuka baterai. Ada bahaya terjadinya korsleting.
- ▶ Asap dapat keluar apabila terjadi kerusakan atau penggunaan yang tidak tepat pada baterai. Baterai dapat terbakar atau meledak. Biarkan udara segar mengalir masuk dan kunjungi dokter apabila mengalami gangguan kesehatan. Asap tersebut dapat mengganggu saluran pernafasan.
- ▶ Penggunaan yang salah pada baterai atau baterai yang rusak dapat menyebabkan keluarnya cairan yang mudah terbakar dari baterai. Hindari terkena cairan ini. Jika tanpa sengaja terkena cairan ini, segera bilas dengan air. Jika cairan tersebut terkena mata, segera hubungi dokter untuk pertolongan lebih lanjut. Cairan yang keluar dari baterai dapat menyebabkan iritasi pada kulit atau luka bakar.
- ▶ Baterai dapat rusak akibat benda-benda lancip, seperti jarum, obeng, atau tekanan keras dari luar. Hal ini dapat menyebabkan terjadinya hubungan singkat internal dan baterai dapat terbakar, berasap, meledak, atau mengalami panas berlebihan.

▶ Jika baterai tidak digunakan, jauhkan baterai dari klip kertas, uang logam, kunci, paku, sekrup, atau benda-benda kecil dari logam lainnya, yang dapat menjembatani kontak-kontak. Korsleting antara kontak-kontak baterai dapat mengakibatkan kebakaran atau api.

▶ Hanya gunakan baterai pada produk dari produsen. Hanya dengan cara ini, baterai dapat terlindung dari kelebihan muatan.

▶ Hanya isi ulang daya baterai menggunakan alat pengisi daya yang dianjurkan oleh produsen. Alat pengisi daya baterai yang khusus untuk mengisi daya baterai tertentu dapat mengakibatkan kebakaran jika digunakan untuk mengisi daya baterai yang tidak cocok.



Lindungi baterai dari panas, misalnya juga dari paparan sinar matahari dalam waktu yang lama, api, kotoran, air dan kelembapan. Terdapat risiko ledakan dan korsleting.



▶ Jangan mengoperasikan alat pengisap saat alat dibawa dengan tali bahu. Anda dapat tersangkut tali bahu dan terjatuh saat melakukan pengisapan.

▶ Hanya gunakan tali bahu untuk alat pengisap.

## Simbol

Simbol-simbol berikut bisa sangat membantu Anda selama penggunaan alat pengisap. Silakan pelajari dan ingat simbol berikut serta artinya. Pengertian yang benar dari simbol-simbol ini bisa membantu Anda untuk menggunakan alat pengisap dengan aman dan lebih baik.

### Simbol dan artinya



**PERINGATAN!** Bacalah semua instruksi dan petunjuk keselamatan. Kelalaian yang dikarenakan tidak mengikuti instruksi dan petunjuk keselamatan dengan benar dapat menyebabkan sengatan listrik, kebakaran dan/atau cedera serius.



Alat pengisap kategori debu L sesuai IEC/EN 60335-2-69 untuk pengisapan kering pada debu yang membahayakan kesehatan dengan nilai batas eksposur > 1 mg/m<sup>3</sup>



**PERINGATAN!** Alat pengisap berisi debu yang berisiko bagi kesehatan. Hanya lakukan proses pengosongan, perawatan, pembersihan kontainer debu oleh orang yang ahli. Diperlukan peralatan keselamatan yang sesuai. Jangan mengoperasikan alat pengisap tanpa sistem penyangring yang lengkap dan terpasang dengan baik. Jika tidak, hal tersebut dapat membahayakan kesehatan.

## Spesifikasi produk dan performa

Perhatikan ilustrasi yang terdapat pada bagian depan panduan pengoperasian.

### Tujuan penggunaan

Alat pengisap dirancang untuk mengumpulkan, mengisap, mengangkut, dan memisahkan debu kering yang tidak mudah terbakar, cairan yang tidak mudah terbakar, serta campuran udara dan air. Alat pengisap telah diuji terhadap debu dan sesuai dengan kelas debu L. Alat ini cocok untuk pengerjaan yang sangat menuntut pada penggunaan komersial, misalnya dalam bidang pertukangan, industri, dan perbengkelan.

Alat pengisap kategori debu L sesuai IEC/EN 60335-2-69 hanya boleh digunakan untuk mengisap dan mengekstraksi debu yang berbahaya bagi kesehatan dengan nilai batas eksposur > 1 mg/m<sup>3</sup>.

Gunakan alat pengisap hanya jika Anda benar-benar mengenal dan menguasai semua fungsinya serta dapat mengoperasikannya tanpa keterbatasan atau telah menerima petunjuk-petunjuk rinci tentang penggunaannya.

### Aliran udara rotasi

Sistem filter tanpa kantong akan menghemat penggunaan kantong debu. Kotoran dikumpulkan di sisi dalam penampung debu.

### Ilustrasi komponen

Penomoran ilustrasi komponen sesuai dengan gambar alat pengisap pada halaman bergambar.

- (1) Penampung debu
- (2) Pengunci untuk bagian atas alat pengisap
- (3) Tombol on/off
- (4) Indikator level daya baterai
- (5) Bagian atas alat pengisap
- (6) Gagang angkat
- (7) Dudukan untuk penahan slang isap/nozel lantai
- (8) Dudukan slang
- (9) Eyelet
- (10) Dudukan untuk penahan pipa isap/nozel celah
- (11) Tombol pelepas tutup kompartemen baterai
- (12) Tutup kompartemen baterai
- (13) Slang isap
- (14) Adaptor isap
- (15) Nozel bengkok
- (16) Nozel celah
- (17) Nozel lantai
- (18) Pipa isap
- (19) Slot baterai
- (20) Baterai<sup>a)</sup>
- (21) Tombol pelepas baterai<sup>a)</sup>
- (22) Sekrup pengencang

- (23) Layar
- (24) Penahan tutup kompartemen baterai
- (25) Penahan untuk pipa isap dan nozel celah
- (26) Sekrup pengencang untuk penahan (27)
- (27) Penahan slang isap dan nozel lantai
- (28) Tombol tekan
- (29) Tali bahu<sup>a)</sup>
- (30) Roda kastor<sup>a)</sup>
- (31) Dudukan roda kastor
- (32) Lubang udara
- (33) Filter
- (34) Pengapung
- (35) Penahan filter
- (36) Strap penahan slang isap

a) **Aksesori ini tidak termasuk dalam lingkup pengiriman standar.**

### Data teknis

Alat pengisap debu basah/kering berdaya baterai		GAS 18V-10 L
Nomor barang		<b>3 601 JC6 3..</b>
Tegangan	V	18
Input daya nominal	W	260
Volume penampung debu (bruto)	l	10
Volume bersih (cairan)	l	6
Tekanan negatif maks. <sup>A)</sup>		
- Alat pengisap <sup>B)</sup>	hPa	90
- Turbin	hPa	115
Laju alir maks. <sup>A)</sup>		
- Alat pengisap <sup>B)</sup>	l/s m <sup>3</sup> /h	24 86
- Turbin	l/s m <sup>3</sup> /h	34 122
Durasi pengoperasian tiap pengisian daya baterai	min/Ah	4
Kategori debu		L
Berat sesuai dengan EPTA-Procedure 01:2014	kg	5,1-6,1 <sup>C)</sup>
Jenis perlindungan		IPX4
Suhu sekitar yang direkomendasikan saat pengisian daya	°C	0 ... +35
Suhu lingkungan yang diizinkan selama pengoperasian <sup>D)</sup> dan selama penyimpanan	°C	-20 ... +50
Baterai yang direkomendasikan		GBA 18V... ProCORE18V...

### Alat pengisap debu basah/kering berdaya baterai

GAS 18V-10 L

Rekomendasi perangkat pengisi daya	GAL 18... GAX 18... GAL 36...
------------------------------------	-------------------------------------

- A) diukur pada suhu 20–25°C dengan baterai **GBA 18V 6.3Ah**
- B) dihitung dengan slang isap **(13)** dan nozel bengkok **(15)**
- C) tergantung pada baterai yang digunakan
- D) daya terbatas pada suhu < 0°C

Nilai dapat berbeda-beda bergantung pada produk dan mungkin tunduk pada kondisi lingkungan serta penggunaan. Informasi lebih lanjut pada [www.bosch-professional.com/wac](http://www.bosch-professional.com/wac).

## Baterai

**Bosch** juga menjual alat pengisap berdaya baterai tanpa baterai. Informasi mengenai apakah baterai disertakan dalam lingkup pengiriman alat pengisap Anda dapat ditemukan pada kemasan.

### Mengisi daya baterai

- ▶ **Hanya gunakan perangkat pengisi daya yang tercantum pada data teknis.** Hanya perangkat pengisi daya ini yang sesuai dengan baterai Li-ion yang digunakan pada alat pengisap.

**Catatan:** Baterai lithium-ion dikirim dalam keadaan terisi daya sebagian berdasarkan peraturan transportasi internasional. Untuk menjamin daya penuh dari baterai, isi daya baterai hingga penuh sebelum menggunakannya untuk pertama kali.

### Memasang dan melepas baterai (lihat gambar A1–A2)

- ▶ **Jangan memasang baterai secara paksa.** Baterai dirancang sedemikian rupa sehingga hanya dapat dipasang ke dalam alat dengan posisi yang benar.
- ▶ Jagalah supaya kompartemen baterai dan slot baterai selalu bersih dan kering agar dapat bekerja dengan baik dan aman.
  - Untuk membuka tutup kompartemen baterai **(12)**, tekan tombol pelepas **(11)**.
  - Dorong baterai **(20)** ke dalam slot baterai **(19)** hingga terdengar mengunci.
  - Untuk mengeluarkan baterai **(20)**, tekan tombol pelepas **(21)** pada baterai lalu keluarkan baterai dari slot baterai **(19)**.
  - Tutup penutup kompartemen baterai **(12)**.

### Mengganti tutup kompartemen baterai (lihat gambar A3–A5)

Jika baterai ProCORE18V 12Ah ingin digunakan, tutup kompartemen baterai **(12)** tidak dapat lagi ditutup. Tutup kompartemen baterai **(12)** dapat diganti di sini dengan layar **(23)** yang dirancang untuk situasi ini.

Di area yang lembap atau basah, alat pengisap hanya boleh digunakan dengan tutup kompartemen baterai yang ditutup.

### Melepas tutup kompartemen baterai (lihat gambar A3)

Lepaskan baterai **(20)** dari slot baterai **(19)**.

Lepaskan kedua sekrup pengencang **(22)** (ST4×12) dengan obeng kembang PH1 dan lepaskan tutup kompartemen baterai **(12)**.

### Memasang layar (lihat gambar A4)

Tekan penahan **(24)** tutup kompartemen baterai ke bawah dan dorong layar **(23)**.

### Melepas layar (lihat gambar A5)

Gunakan obeng minus, geser sedikit layar **(23)** ke belakang dan lepaskan layar. Oleh karena itu, tekan penahan **(24)** tutup kompartemen baterai ke bawah.

### Indikator level daya baterai



Pada saat baterai dimasukkan, level pengisian daya dapat terlihat pada indikator level pengisian daya baterai **(4)** alat pengisap, pada baterai itu sendiri saat baterai dilepaskan.

### Indikator level pengisian daya baterai pada alat pengisap

Setelah menghidupkan alat pengisap, 5 LED berwarna hijau pada indikator level pengisian daya baterai **(4)** menyala satu per satu naik dan turun. Kemudian, LED menampilkan level pengisian daya baterai **(20)**.

### Indikator level pengisian daya baterai pada baterai

Jika baterai dilepaskan dari alat pengisap, level pengisian daya dapat ditampilkan dengan LED berwarna hijau pada indikator level pengisian daya pada baterai.

Tekan tombol untuk indikator level pengisian daya baterai  atau  untuk menampilkan level pengisian baterai.

Apabila LED tidak menyala setelah menekan tombol indikator level pengisian daya, terdapat kerusakan pada baterai dan baterai harus diganti.

**Catatan:** Tidak semua jenis baterai memiliki indikator level pengisian daya.

### Tipe baterai GBA 18V...



LED	Kapasitas
Lampu permanen 3× hijau	60–100 %
Lampu permanen 2× hijau	30–60 %
Lampu permanen 1× hijau	5–30 %
Lampu berkedip 1× hijau	0–5 %

### Tipe baterai ProCORE18V...



LED	Kapasitas
Lampu permanen 5× hijau	80–100 %
Lampu permanen 4× hijau	60–80 %
Lampu permanen 3× hijau	40–60 %
Lampu permanen 2× hijau	20–40 %

LED	Kapasitas
Lampu permanen 1× hijau	5–20 %
Lampu berkedip 1× hijau	0–5 %

### Petunjuk untuk penanganan baterai yang optimal

Lindungilah baterai dari kelembapan dan air.

Simpan baterai hanya pada rentang suhu antara –20 °C hingga 50 °C. Janganlah meletakkan baterai di dalam mobil, misalnya pada musim panas.

Bersihkanlah lubang ventilasi baterai dengan kuas yang lunak, bersih dan kering secara berkala.

Waktu pengoperasian yang berkurang secara signifikan setelah pengisian daya menunjukkan bahwa baterai telah habis dan perlu diganti.

Perhatikan petunjuk untuk membuang.

## Pemasangan

- ▶ **Lepas baterai sebelum melakukan perawatan atau membersihkan alat pengisap, melakukan pengaturan pada perangkat, mengganti komponen aksesori atau menyimpan alat pengisap.** Tindakan pencegahan ini akan mencegah alat pengisap hidup secara tidak sengaja.

### Memasang penahan untuk aksesori alat pengisap (lihat gambar B)

- Dorong penahan (25) untuk pipa isap dan nozel celah dengan kuat dari atas ke dalam dudukan yang tersedia (10) hingga terkunci pada tempatnya.
- Dorong dudukan (27) untuk slang isap dan nozel lantai dengan kuat dari atas ke dalam dudukan yang tersedia (7) dan kencangkan sekrup pengencang (26).

### Memasang slang isap (lihat gambar C)

- Pasang slang isap (13) ke dalam dudukan slang (8) hingga kedua tombol tekan (28) pada slang pengisap terkunci.

**Catatan:** Saat melakukan pengisapan, gesekan debu di dalam slang isap dan aksesorinya akan menciptakan muatan elektrostatik yang dapat dirasakan oleh pengguna dalam bentuk listrik statis (bergantung pada pengaruh lingkungan dan sensasi fisik).

### Memasang aksesori alat pengisap

Slang isap (13) dilengkapi dengan sistem klip yang dapat disambungkan dengan aksesori alat pengisap (adaptor pengisap (14), nozel bengkok (15)).

### Memasang adaptor pengisap atau nozel bengkok (lihat gambar D)

Pasang adaptor pengisap (14) atau nozel bengkok (15) pada slang isap (13) hingga kedua tombol tekan (28) pada slang isap terdengar mengunci.

Untuk melepaskan, tekan tombol tekan (28) ke dalam lalu lepaskan komponen.

### Memasang nozel dan pipa

- Bila perlu, pasang dan kencangkan pipa isap (18) satu sama lain ke nozel bengkok (15).
- Pasang dan kencangkan nozel lantai (17) atau nozel celah (16) ke pipa isap (18) atau nozel bengkok (15).

### Mengencangkan tali bahu (aksesori) (lihat gambar E)

- ▶ **Tali bahu hanya sesuai untuk membawa dan memasang pengisap debu!**

Kaitkan pengait tali bahu (29) ke eyelet (9) alat pengisap.

### Memasang roda kastor (aksesori) (lihat gambar F)

Pasang 4 pin pengencang roda kastor (30) ke dalam dudukan roda kastor (31) hingga terdengar mengunci.

Roda kastor lainnya yang sesuai dengan standar EN 12529 (diameter pin pengencang 11 mm) juga dapat digunakan.

- ▶ **Periksa fungsionalitas rem pada roda kastor sebelum alat pengisap digunakan.**

## Pengoperasian

- ▶ **Lepas baterai sebelum melakukan perawatan atau membersihkan alat pengisap, melakukan pengaturan pada perangkat, mengganti komponen aksesori atau menyimpan alat pengisap.** Tindakan pencegahan ini akan mencegah alat pengisap hidup secara tidak sengaja.
- ▶ **Pastikan area kerja bersih dan rapi agar tidak membuat seseorang tersandung.**

### Pengoperasian awal

- ▶ **Jangan gunakan alat pengisap tanpa filter.**
- ▶ **Hanya gunakan filter yang tidak rusak (tidak retak, tidak berlubang, dll.). Segera ganti filter yang rusak.**
- ▶ **Pastikan unit filter terpasang dengan benar sebelum melakukan pengisapan.**
- ▶ **Pastikan tutup kompartemen baterai tertutup rapat sebelum melakukan pengisapan.**
- ▶ **Harap cari informasi tentang aturan/undang-undang yang berlaku di negara Anda mengenai penanganan debu berbahaya.**
- ▶ **Isap serbuk batuan hanya dengan kombinasi perkakas listrik dan sistem pengisapan yang dirancang dengan jelas dan telah dibuktikan tidak melampaui nilai batas yang berlaku.** Keterangan dapat ditemukan pada <http://www.bosch-professional.com/dust>.

Alat pengisap tidak boleh digunakan di ruangan yang rentan terjadi ledakan.

Untuk memastikan daya alat pengisap yang optimal, slang isap (13) harus selalu dilepas dengan benar dari penahan slang isap (27).

### Menghidupkan/mematikan

Untuk **menghidupkan** alat pengisap, tekan singkat tombol on/off (3).

Untuk **mematikan** alat pengisap, tekan kembali tombol on/off (3).

Atas alasan keamanan, alat pengisap tidak beroperasi apabila tombol on/off (3) ditekan lebih dari 5 detik.

### Pengisapan kering

**Mengisap debu dari perkakas listrik yang beroperasi (lihat gambar G)**

► Diperlukan pertukaran udara yang mencukupi di dalam ruangan ketika udara buang kembali ke ruangan. Harap patuhi peraturan nasional yang relevan.

– Pasang adaptor pengisap (14) atau nozel bengkok (15) (lihat „Memasang adaptor pengisap atau nozel bengkok (lihat gambar D)“, Halaman 62).

– Masukkan adaptor pengisap (14) atau nozel bengkok (15) ke dalam soket isap perkakas listrik.

Hanya pada saat menggunakan adaptor pengisap (14):

**Catatan:** Saat bekerja menggunakan perkakas listrik dengan suplai udara yang sedikit pada slang isap (misalnya gergaji, gerinda, dll), lubang udara (32) pada adaptor pengisap (14) harus dibuka. Hal tersebut meningkatkan daya total alat pengisap dan perkakas listrik. Untuk itu, putar cincin pada lubang udara (32) hingga lubang udara terbuka sepenuhnya.

### Pengisapan basah

► **Jangan gunakan alat pengisap untuk mengisap cairan yang mudah terbakar dan dapat meledak, misalnya bensin, oli, alkohol, zat pelarut. Jangan mengisap debu panas, debu yang terbakar atau eksplosif. Jangan mengoperasikan alat pengisap di ruangan yang dapat memicu ledakan.** Debu, uap, atau cairan dapat terbakar atau meledak.

#### Sebelum melakukan pengisapan basah

- Kosongkan penampung debu (1).
- Bersihkan filter (33) dan masukkan kembali ke dalam alat pengisap (lihat „Membersihkan/mengganti filter (lihat gambar I1-I2)“, Halaman 64).

Alat pengisap dilengkapi dengan sebuah pengapung (34). Pengisapan akan dihentikan jika telah mencapai level pengisian maksimal.

#### Setiap setelah melakukan pengisapan basah

- Kosongkan penampung debu (1).
- Kosongkan air dari filter (33).

#### Untuk mencegah timbulnya jamur setelah pengisapan basah

- Lepaskan bagian atas alat pengisap (5) dan biarkan benar-benar mengering.
- Lepaskan filter (33) dan biarkan benar-benar mengering (lihat „Membersihkan/mengganti filter (lihat gambar I1-I2)“, Halaman 64).

## Perawatan dan servis

### Perawatan dan pembersihan

► **Lepas baterai sebelum melakukan perawatan atau membersihkan alat pengisap, melakukan pengaturan pada perangkat, mengganti komponen aksesori atau menyimpan alat pengisap.** Tindakan pencegahan ini dilakukan untuk menghindari penghidupan alat pengisap yang tidak diinginkan.

► **Jaga kebersihan alat pengisap dan lubang ventilasi agar dapat digunakan dengan baik dan aman.**

► **Pakailah masker debu saat melakukan perawatan dan pembersihan alat pengisap.**

Bersihkan housing alat pengisap sesekali dengan kain yang lembap.

Bersihkan kontak pengisian daya yang kotor dengan kain yang kering.

► **Jangan bersihkan pengisap debu dengan udara bertekanan.** Filter atau komponen lainnya dapat menjadi rusak.

Minimal setahun sekali, pemeriksaan terkait debu pada alat pengisap harus dilakukan oleh produsen atau personel yang terlatih (misalnya pemeriksaan terkait kerusakan pada filter, kerapatan alat pengisap, dan fungsi perangkat kontrol).

#### Pembersihan dan perawatan setelah melakukan pengisapan zat yang berbahaya bagi kesehatan

- Anggaphlah semua komponen yang mungkin bersentuhan dengan bahan berbahaya telah terkontaminasi.
- Isap, seka, atau tutup rapat bagian luar alat pengisap secara menyeluruh sebelum mengeluarkannya dari area yang mengandung zat berbahaya.
- Hanya bersihkan, lepas, dan lakukan perawatan pada alat pengisap jika memungkinkan untuk melakukan hal tersebut tanpa membahayakan Anda dan orang lain. Kenakan alat pelindung diri saat melakukan perawatan dan pembersihan. Lakukan pekerjaan di ruangan dengan ventilasi yang baik.
- Bersihkan bagian luar alat pengisap terlebih dahulu sebelum melepasnya.
- Buang komponen alat pengisap yang tidak dapat dibersihkan dengan baik ke dalam kantong kedap air. Untuk itu, patuhi peraturan yang berlaku untuk pembuangan limbah tersebut.
- Setelah pekerjaan selesai, bersihkan area perawatan.

#### Membersihkan penampung debu (lihat gambar H1-H2)

Bersihkan penampung debu (1) setiap selesai digunakan untuk menjaga performa alat pengisap tetap optimal.



- Buka pengunci (2) dan lepaskan bagian atas alat pengisap (5).
- Keluarkan kotoran dari penampung debu (1) pada penampung kotoran yang sesuai.
- Jika perlu, bersihkan penampung debu dengan kain yang lembap. Jika perlu, bersihkan filter (lihat „Membersihkan/mengganti filter (lihat gambar I1-I2)“, Halaman 64).

- Pasang kembali bagian atas alat pengisap (5) lalu kunci pengunci (2).

#### Membersihkan/mengganti filter (lihat gambar I1-I2)

Daya pengisapan bergantung pada kondisi filter. Oleh karena itu, bersihkan filter secara teratur.

Segera ganti filter yang rusak.

- Buka pengunci (2) dan lepaskan bagian atas alat pengisap (5).
- Putar filter (33) ke arah putaran  hingga maksimal dan lepaskan dari dudukan filter (35).
- Filter kering:  
Ketuk filter (33) pada penampung kotoran yang sesuai. Pastikan tidak merusak lamela filter.  
Untuk mendapatkan daya isap maksimal, sikat lamela filter dengan sikat yang lembut.  
*atau*  
Filter basah:  
Bilas filter (33) di bawah air mengalir dan biarkan mengering.  
*atau*  
Ganti filter (33) yang rusak.
- Pasang filter (33) pada penahan filter (35) lalu putar ke arah putaran  hingga maksimal.
- Pasang kembali bagian atas alat pengisap (5) lalu kunci pengunci (2).  
Pastikan pengunci terkunci pada tempatnya.

#### Gangguan

Jika daya isap tidak memadai, periksa:

- Apakah penampung debu (1) penuh?  
▷ (lihat „Membersihkan penampung debu (lihat gambar H1-H2)“, Halaman 63).
- Apakah filter (33) tersumbat debu?  
▷ (lihat „Membersihkan/mengganti filter (lihat gambar I1-I2)“, Halaman 64).
- Apakah kapasitas baterai terlalu lemah?  
▷ Mengisi daya baterai.

Pengosongan penampung debu (1) dan pembersihan filter (33) secara teratur akan menjamin daya isap yang optimal.

Jika daya isap tidak memadai setelah melakukan hal tersebut, hubungi pusat layanan pelanggan **Bosch**.

#### Menyimpan (lihat gambar J)

- Pasang pipa isap (18) ke dalam penahan (25).
- Pasang nozel celah (16) ke dalam pipa isap (18).
- Pasang nozel lantai (17) ke dalam penahan (27).
- Gulung slang isap (13) pada penahan (27) dari bawah dan kencangkan strap penahan (36).
- Hanya bawa alat pengisap dengan memegang gagang angkat (6) atau pada tali bahu (jika tersedia).
- Simpan alat pengisap di tempat yang kering dan pastikan alat tidak disalahgunakan.

#### Layanan pelanggan dan konsultasi penggunaan

Layanan pelanggan Bosch menjawab semua pertanyaan Anda tentang reparasi dan perawatan serta tentang suku cadang produk ini. Gambaran teknis (exploded view) dan informasi mengenai suku cadang dapat ditemukan di:

**www.bosch-pt.com**

Tim konsultasi penggunaan Bosch akan membantu Anda menjawab pertanyaan seputar produk kami beserta aksesorinya.

Jika Anda hendak menanyakan sesuatu atau memesan suku cadang, selalu sebutkan nomor model yang terdiri dari 10 angka dan tercantum pada label tipe produk.

#### Indonesia

PT Robert Bosch Indonesia  
Arkadia Green Park Tower G – 7th floor  
Jl. Let. Jend. TB. Simatupang Kav.88  
Jakarta 12520  
Tel.: (021) 3005 5800  
Fax: (021) 3005 5801  
E-Mail: boschpowertools@id.bosch.com  
www.bosch-pt.co.id

#### Alamat layanan lainnya dapat ditemukan di:

[www.bosch-pt.com/serviceaddresses](http://www.bosch-pt.com/serviceaddresses)

#### Transpor

Baterai li-ion yang direkomendasikan tunduk pada persyaratan terkait peraturan tentang bahan-bahan yang berbahaya. Baterai dapat diangkut di jalan oleh penggunanya tanpa pembatasan lebih lanjut.

Pada pengiriman oleh pihak ketiga (misalnya transportasi udara atau perusahaan ekspedisi), persyaratan terkait pengemasan dan pemberian tanda harus diperhatikan. Dalam hal ini, diperlukan konsultasi dengan ahli bahan-bahan berbahaya saat menyiapkan barang pengiriman. Kirimkan baterai hanya jika housing-nya tidak rusak. Tutup bagian-bagian yang terbuka dan kemas baterai agar tidak bergerak-gerak di dalam kemasan. Taatilah peraturan-peraturan nasional lainnya yang mungkin lebih rinci yang berlaku di negara Anda.

#### Pembuangan



Alat pengisap, baterai, aksesoris, dan kemasan harus didaur ulang secara ramah lingkungan.



Jangan membuang alat pengisap dan baterai ke dalam sampah rumah tangga!

#### Baterai:

##### Li-ion:

Harap perhatikan petunjuk-petunjuk dalam bab Transportasi (lihat „Transpor“, Halaman 64).



## Tiếng Việt

### Hướng dẫn an toàn của máy hút bụi



Đọc kỹ mọi cảnh báo an toàn và mọi hướng dẫn. Không tuân thủ mọi cảnh báo và hướng dẫn được liệt kê dưới đây có thể bị điện giật, gây cháy và / hay bị thương tật nghiêm trọng.

Hãy giữ tất cả tài liệu về cảnh báo và hướng dẫn để tham khảo về sau.

► **Máy hút bụi này không thiết kế dành cho đối tượng sử dụng là trẻ em và người bị hạn chế về thể chất, khả năng giác quan kém hoặc tâm thần hoặc thiếu kinh nghiệm và thiếu hiểu biết.** Nếu không sẽ có nguy cơ sai sót khi vận hành và gây thương tích.

► **Hãy giám sát trẻ em.** Để đảm bảo rằng, trẻ em không chơi với máy hút bụi.

► **Hãy tuân thủ tất cả quy định an toàn cho chất hút.**

► **Không hút như bụi gỗ sỏi hoặc bụi gỗ dẻ gai hoặc Amiăng.** Bụi đá chỉ có thể được hút sạch khi kết hợp với các hệ thống hút được phê duyệt rõ ràng để sử dụng với GAS 18V-10 L bởi Bosch . Những chất này được coi là chất gây ung thư.

**⚠ CẢNH BÁO** Chỉ sử dụng máy hút bụi, khi bạn đã có đủ thông tin về việc sử dụng máy hút bụi, về chất được hút và về việc xử lý an toàn. Một bản hướng dẫn chi tiết sẽ giúp làm giảm sai sót khi vận hành và tránh bị thương tích.

**⚠ CẢNH BÁO** Máy hút bụi chỉ thích hợp để hút các chất khô và cũng phù hợp để hút chất lỏng nhờ các biện pháp phù hợp. Chất lỏng thấm vào sẽ làm tăng nguy cơ giật điện.

► **Không hút các chất lỏng dễ cháy hoặc dễ nổ, ví dụ như xăng, dầu, cồn, dung môi.** Không hút các bụi nóng, bụi dễ cháy nổ. Không vận hành máy hút bụi trong các không gian dễ

nổ. Rác, chất khí, chất lỏng loại có thể gây cháy hay nổ.

**⚠ CẢNH BÁO** Tắt máy hút bụi ngay lập tức, ngay khi bọt và nước xuất hiện và hãy xả rỗng bình chứa. Nếu không, máy hút bụi có thể bị hư hại.

► **LƯU Ý!** Máy hút bụi chỉ nên đặt trong nhà.

► **LƯU Ý!** Hãy vệ sinh phao thường xuyên và kiểm tra xem nó có bị hỏng không. Nếu không thì có thể làm suy giảm chức năng.

► **Tạo cho nơi làm việc được thông thoáng tốt.**

► **Chỉ để người có chuyên môn được đào tạo dùng các phụ tùng gốc để sửa chữa.** Điều này bảo đảm cho sự an toàn của máy hút bụi của bạn được giữ nguyên.

**⚠ CẢNH BÁO** Máy hút bụi có chứa bụi gây hại cho sức khỏe. Chỉ để thợ chuyên môn tiến hành các quá trình xả rỗng và bảo dưỡng, bao gồm xử lý bình chứa thu gom bụi. Cần có một thiết bị bảo hộ tương ứng. Không vận hành máy hút bụi mà không có hệ thống lọc đầy đủ và được lắp cẩn thận. Nếu không bạn sẽ gây nguy hiểm cho sức khỏe của mình.

► **Trước khi vận hành, hãy kiểm tra tình trạng không lỗi của ống hút.** Khi đó, hãy cho lắp ống hút ở máy hút bụi, để bụi không vô tình xuất hiện. Nếu không, bạn có thể hít phải bụi.

► **Không vệ sinh máy hút bụi bằng tia nước trực tiếp.** Nước vào nắp trên cùng của máy sẽ làm tăng nguy cơ bị điện giật.



► **Không được tháo pin ra.** Nguy cơ bị chập mạch.

► **Trong trường hợp pin bị hỏng hay sử dụng sai cách, hơi nước có thể bốc ra. Pin có thể cháy hoặc nổ.** Hãy làm cho thông thoáng khí và trong trường hợp bị đau phải nhờ y tế chữa trị. Hơi nước có thể gây ngứa hệ hô hấp.

► **Khi sử dụng sai hoặc khi pin hỏng, dung dịch dễ cháy từ pin có thể tứa ra. Nếu vô tình chạm phải, hãy xối nước để rửa. Nếu dung dịch vào mắt, cần thêm sự hỗ trợ của y tế. Nếu chất lỏng dính vào mắt, yêu cầu ngay sự giúp đỡ của bác sĩ.** Dung dịch tiết ra từ pin có thể gây ngứa hay bỏng.

► **Pin có thể bị hư hại bởi các vật dụng nhọn như đinh hay tuốc-nơ-vít hoặc bởi các tác động lực từ bên ngoài.** Nó có thể dẫn tới đoản mạch nội bộ và làm pin bị cháy, bốc khói, phát nổ hoặc quá nóng.

► **Khi không sử dụng pin, để cách xa các vật bằng kim loại như kẹp giấy, tiền xu, chìa khóa, đinh, ốc vít hay các đồ vật kim loại nhỏ khác, thứ có thể tạo sự nối tiếp từ một đầu cực với một đầu cực khác.** Sự chập mạch của các đầu cực với nhau có thể gây bỏng hay cháy.

- ▶ **Chỉ sử dụng pin trong các sản phẩm của nhà sản xuất.** Chỉ bằng cách này, pin sẽ được bảo vệ tránh nguy cơ quá tải.
  - ▶ **Chỉ được sạc pin lại với bộ nạp điện do nhà sản xuất chỉ định.** Một bộ nạp điện thích hợp cho một bộ pin nguồn có thể gây nguy cơ cháy khi sử dụng để nạp điện cho một bộ pin nguồn khác.
- 


**Bảo vệ pin không để bị làm nóng, ví dụ, chống để lâu dài dưới ánh nắng gay gắt, lửa, chất bẩn, nước, và sự ẩm ướt.** Có nguy cơ nổ và chập mạch.
- ▶ **Không làm việc với máy hút bụi nếu bạn đeo dây đai chịu tải.** Bạn có thể bị vướng vào dây đai chịu tải khi hút bụi và vấp ngã.
  - ▶ **Chỉ sử dụng dây đai chịu tải khi kết nối với máy hút bụi.**

## Các Biểu Tượng

Các biểu tượng sau đây hàm chứa ý nghĩa cho việc sử dụng máy hút bụi của bạn. Xin vui lòng ghi nhận các biểu tượng và ý nghĩa của chúng. Sự hiểu đúng các biểu tượng sẽ giúp bạn biết cách sử dụng máy hút bụi tốt và an toàn hơn.

### Biểu tượng và các ý nghĩa của chúng



**CẢNH BÁO! Đọc kỹ mọi cảnh báo an toàn và mọi hướng dẫn.** Không tuân thủ mọi cảnh báo và hướng dẫn được liệt kê dưới đây có thể bị điện giật, gây cháy và/hay bị thương tật nghiêm trọng.



Máy hút bụi loại bụi L theo IEC/EN 60335-2-69 về **hút khô** từ các loại bụi gây hại cho sức khỏe với giới hạn tiếp xúc là  $> 1 \text{ mg/m}^3$



**CẢNH BÁO! Máy hút bụi có chứa bụi gây hại cho sức khỏe. Chỉ để thợ chuyên môn tiến hành các quá trình xả rỗng và bảo dưỡng, bao gồm xử lý bình chứa thu gom bụi. Cần có một thiết bị bảo hộ tương ứng. Không vận hành máy hút bụi mà không có hệ thống lọc đầy đủ và được lắp cẩn thận.** Nếu không bạn sẽ gây nguy hiểm cho sức khỏe của mình.

## Mô Tả Sản Phẩm và Đặc Tính Kỹ Thuật

Xin lưu ý các hình minh hoạt trong phần trước của hướng dẫn vận hành.

## Sử dụng đúng cách

Máy hút bụi này được dùng để thu gom, hút, hỗ trợ, loại bỏ các loại bụi khô và các chất lỏng không bắt lửa cũng như hỗn hợp nước không khí. Máy hút bụi được kiểm tra kỹ thuật và đáp ứng cho bụi loại L. Máy hút bụi này thích hợp với nhu cầu sử dụng công nghiệp ngày một tăng, ví dụ như dùng trong các nghề thủ công, công nghiệp và các công xưởng.

Máy hút bụi loại bụi L theo IEC/EN 60335-2-69 chỉ được phép dùng để hút và loại bỏ các loại bụi có hại cho sức khỏe với giới hạn tiếp xúc là  $> 1 \text{ mg/m}^3$ .

Chỉ sử dụng máy hút bụi khi bạn đã hiểu rõ và có thể sử dụng mọi chức năng một cách thông suốt, hay được hướng dẫn sử dụng đúng cách.

### Rotational Airflow

Hệ thống lọc không túi giúp tiết kiệm việc sử dụng túi chứa bụi. Chất bẩn được thu gom ở vách bên trong của thùng chứa.

### Các bộ phận được minh họa

Việc đánh số các đặc điểm của sản phẩm để tham khảo hình minh họa của máy hút bụi trên trang hình ảnh.

- (1) Khoang chứa
- (2) Chốt cài máy hút
- (3) Phím Bật/tắt
- (4) Đèn báo trạng thái nạp pin
- (5) Thân nắp máy hút
- (6) Tay Xách
- (7) Giá đỡ cho ống hút/giá đỡ vòi hút sàn
- (8) Hốc cắm ống
- (9) Lỗ xâu cố định
- (10) Giá đỡ cho ống hút/giá đỡ vòi phun nổi
- (11) Núm mở nắp ngăn pin
- (12) Nắp ngăn pin
- (13) Vòi ống hút
- (14) Bộ chuyển đổi ống hút
- (15) Vòi ống cong
- (16) Vòi phun nổi
- (17) Vòi phun đất
- (18) Ống hút cứng
- (19) Cổng bộ nguồn
- (20) Pin<sup>a)</sup>
- (21) Núm tháo pin<sup>a)</sup>
- (22) Vít bắt cố định
- (23) Màn che
- (24) Giá đỡ nắp ngăn pin
- (25) Giá đỡ cho ống hút và vòi phun nổi

- (26) Vít cố định cho giá đỡ (27)
- (27) Giá đỡ cho vòi ống hút và vòi hút sàn
- (28) Nút bấm
- (29) Dây đai chịu tải<sup>a)</sup>
- (30) Con lăn<sup>a)</sup>
- (31) Giá lắp con lăn
- (32) Miệng thoát khí
- (33) Bộ lọc
- (34) Phao đo
- (35) Giá đỡ bộ lọc
- (36) Dây treo của ống hút mềm

a) Phụ kiện này không thuộc phạm vi giao hàng tiêu chuẩn.

### Thông số kỹ thuật

Máy hút bụi khô/ướt chạy pin	GAS 18V-10 L	
Mã số máy		3 601 JC6 3..
Điện áp	V	18
Công suất vào danh định	W	260
Dung tích khoang chứa (tổng thể)	l	10
Thể tích thực (Chất lỏng)	l	6
Mức chân không tối đa <sup>A)</sup>		
– Máy hút bụi <sup>B)</sup>	hPa	90
– Tua bin	hPa	115
Lưu lượng tối đa <sup>A)</sup>		
– Máy hút bụi <sup>B)</sup>	l/s m <sup>3</sup> /h	24 86
– Tua bin	l/s m <sup>3</sup> /h	34 122
Tuổi thọ pin mỗi lần sạc pin	min/Ah	4
Mức bụi		L
Trọng lượng theo EPTA-Procedure 01:2014	kg	5,1-6,1 <sup>C)</sup>
Mức độ bảo vệ		IPX4
Nhiệt độ môi trường được khuyến nghị khi sạc	°C	0 ... +35
Nhiệt độ môi trường cho phép trong quá trình vận hành <sup>D)</sup> và trong quá trình lưu trữ	°C	-20 ... +50
Pin được khuyến dùng		GBA 18V... ProCORE18V...

### Máy hút bụi khô/ướt chạy pin GAS 18V-10 L

Thiết bị nạp được giới thiệu	GAL 18...
	GAX 18...
	GAL 36...

A) được đo ở 20–25 °C với pin **GBA 18V 6.3Ah**

B) được đo với ống hút bụi (13) và vòi cong (15)

C) tùy vào loại pin lốc đang sử dụng

D) hiệu suất giới hạn ở nhiệt độ < 0 °C

Các giá trị có thể khác nhau tùy thuộc vào sản phẩm và tùy thuộc vào ứng dụng và điều kiện môi trường. Xem thêm thông tin chi tiết trên trang [www.bosch-professional.com/wac](http://www.bosch-professional.com/wac).

### Pin

**Bosch** mua máy hút bụi chạy pin không có pin. Dù pin được bao gồm trong phạm vi giao hàng của máy hút bụi, bạn có thể tháo bao gi.

### Sạc pin

► **Chỉ sử dụng bộ sạc được để cập trong dữ liệu kỹ thuật.** Chỉ những bộ sạc này phù hợp cho máy hút bụi của bạn có sử dụng pin Li-Ion.

**Hướng dẫn:** Pin Lithium-ion được giao một phần do các quy định vận tải quốc tế. Để bảo đảm đầy đủ điện dung, nạp điện hoàn toàn lại cho pin trước khi sử dụng cho lần đầu tiên.

### Lắp và tháo pin (xem Hình A1–A2)

► **Không dùng sức khi sử dụng pin.** Pin được thiết kế để chỉ có thể được lắp vào đúng vị trí trong sản phẩm.

► Luôn luôn bảo quản ngăn pin và khe pin được sạch sẽ và khô ráo để bảo đảm sự hoạt động được an toàn và đúng cách thức.

– Ấn vào nút mở khóa (11) để mở nắp ngăn pin (12).

– Bạn hãy đẩy pin (20) vào khe pin (19) cho tới khi nghe được tiếng khớp.

– Để lấy pin (20) ra, hãy nhấn nút nhả (21) trên pin, và ngắt kết nối ra khỏi khoang pin (19).

– Đóng nắp ngăn pin (12).

### Thay nắp ngăn pin (xem Hình A3–A5)

Nếu bạn muốn dùng pin ProCORE18V 12 Ah, thì sau đó không thể đóng nắp ngăn pin (12). Nắp ngăn pin (12) có thể được thay bằng màn che (23) được thiết kế cho trường hợp này.

Trong môi trường ẩm ướt, máy hút bụi chỉ có thể được sử dụng khi đã đóng nắp ngăn pin.

### Tháo nắp ngăn pin (xem Hình A3)

Hãy tháo pin (20) ra khỏi khe pin (19).

Hãy tháo cả hai vít bất cố định (22) (ST4×12) bằng chia vận vít bốn cạnh PH1 và tháo nắp ngăn pin (12).

**Lắp màn che vào (xem Hình A4)**

Ấn vào giá đỡ (24) của nắp ngăn pin xuống dưới và đẩy màn che lên (23).

**Tháo màn che (xem Hình A5)**

Hãy đặt tuốc nơ vít mũi dẹt, đẩy màn che (23) ra sau một chút và kéo màn che ra. Khi đó hãy ấn vào giá đỡ (24) của nắp ngăn pin xuống dưới.

**Đèn báo trạng thái nạp pin**

Khi pin được lắp, bạn có thể nhận biết mức sạc trên hiển thị mức sạc pin (4) của máy hút bụi, và trên chính pin khi tháo pin.

**Đèn báo trạng thái nạp pin trên máy hút bụi**

Sau khi bật máy hút bụi, 5 đèn LED xanh lá của hiển thị mức sạc pin (4) sáng riêng biệt theo thứ tự tăng dần và giảm dần. Sau đó, đèn LED hiển thị mức sạc của pin (20).

**Đèn báo trạng thái nạp pin trên pin**

Nếu pin được tháo ra khỏi máy hút bụi, mức sạc có thể được hiển thị bằng đèn LED màu xanh lá của hiển thị mức sạc trên pin.

Để hiển thị tình trạng nạp, bạn hãy nhấn nút để hiển thị mức sạc ☺ hoặc ☹.

Đèn LED không sáng sau khi nhấn nút để hiển thị mức sạc có nghĩa là pin bị hỏng và phải được thay thế.

Lưu ý: Không phải mọi loại pin đều có một hiển thị mức sạc.

**Kiểu pin GBA 18V...**

Đèn LED	Điện dung
Đèn sáng liên tục 3× xanh lục	60–100 %
Đèn sáng liên tục 2× xanh lục	30–60 %
Đèn sáng liên tục 1× xanh lục	5–30 %
Đèn xi nhan 1× xanh lục	0–5 %

**Kiểu pin ProCORE18V...**

Đèn LED	Điện dung
Đèn sáng liên tục 5× xanh lục	80–100 %
Đèn sáng liên tục 4× xanh lục	60–80 %
Đèn sáng liên tục 3× xanh lục	40–60 %
Đèn sáng liên tục 2× xanh lục	20–40 %
Đèn sáng liên tục 1× xanh lục	5–20 %
Đèn xi nhan 1× xanh lục	0–5 %

**Các Khuyến Nghị về Cách Bảo Dưỡng Tốt Nhất cho Pin**

Bảo vệ pin hợp khối tránh sự ẩm ướt và nước.

Chỉ bảo quản pin trong tầm nhiệt độ nằm giữa –20 °C và 50 °C. Không để pin trong ô tô vào mùa hè.

Thỉnh thoảng làm sạch các khe thông gió của pin bằng cách dùng một cái cọ khô, mềm và sạch.

Sự giảm sút đáng kể thời gian hoạt động sau khi nạp điện chỉ rõ rằng pin hợp khối đã hết công dụng và phải được thay.

Quy trình hoạt động được chia ra làm hai giai đoạn.

**Sự lắp vào**

► **Hãy tháo phích cắm ra khỏi ổ cắm điện, trước khi bạn bảo dưỡng hoặc làm sạch, điều chỉnh thiết bị, thay phụ kiện, hoặc bảo quản máy hút bụi.** Biện pháp thận trọng sẽ tránh việc khởi động máy hút bụi không chủ ý.

**Lắp giá đỡ cho phụ kiện hút (xem Hình B)**

- Hãy đẩy giá đỡ (25) của ống hút và vòi nối từ bên trên vào giá lắp tương ứng (10), cho đến khi khớp vào.
- Hãy đẩy giá đỡ (27) của ống hút và vòi hút sàn từ bên trên vào giá lắp tương ứng (7) và siết chặt vít cố định (26).

**Gắn vòi ống hút (xem Hình C)**

- Cắm ống hút (13) vào hốc cắm ống (8) cho đến khi cả hai nút bấm (28) của ống hút khớp vào.

**Hướng dẫn:** Khi hút, xuất hiện tĩnh điện trong ống mềm và các phụ kiện do sự ma sát của bụi mà người sử dụng có thể cảm nhận được sự phóng tích điện (phụ thuộc vào tác động của môi trường và độ nhạy cảm của cơ thể).

**Lắp phụ kiện hút**

Vòi ống hút (13) được trang bị Clip-System, mà có thể được kết nối với phụ kiện hút (Cút nối ống hút (14), Vòi ống cong (15)).

**Lắp bộ thích ứng hút hoặc vòi cong (xem Hình D)**

Cắm bộ thích ứng hút (14) hoặc vòi cong (15) vào ống hút mềm (13) cho đến khi cả hai nút bấm (28) của ống hút mềm được gài vào phát ra tiếng.

Để tháo ra, ấn các nút bấm (28) vào trong và kéo các bộ phận ra.

**Gắn các đầu hút và ống hút**

- Nếu cần, hãy cắm ống hút (18) chắc chắn vào nhau và sau đó cắm lên vòi cong (15).
- Cắm vòi hút sàn (17) và vòi nối (16) chặt lên ống hút (18) hoặc vòi cong (15).

## Cố định dây chịu tải (Phụ kiện) (xem hình E)

### ► Dây đai chịu tải chỉ để treo và cố định máy hút bụi!

Hãy nhấp vào móc treo của dây đai chịu tải (29) vào lỗ xâu cố định (9) của máy hút.

## Lắp con lăn (Phụ kiện) (xem hình F)

Hãy cắm chốt cố định 4 của con lăn (30) vào giá lắp con lăn (31), cho tới khi nghe thấy tiếng khớp. Cũng có thể sử dụng các con lăn khác theo tiêu chuẩn EN 12529 (Đường kính chốt cố định 11 mm).

### ► Kiểm tra chức năng của phanh con lăn trước khi sử dụng máy hút bụi.

## Vận Hành

- **Hãy tháo phích cắm ra khỏi ổ cắm điện, trước khi bạn bảo dưỡng hoặc làm sạch, điều chỉnh thiết bị, thay phụ kiện, hoặc bảo quản máy hút bụi.** Biện pháp thận trọng sẽ tránh việc khởi động máy hút bụi không chủ ý.
- **Đảm bảo rằng khu vực làm việc sạch sẽ và gọn gàng để tránh nguy cơ vấp ngã.**

### Bắt Đầu Vận Hành

- **Máy hút bụi không được phép dùng mà không có bộ lọc.**
- **Bạn chỉ sử dụng bộ lọc không bị hỏng (không chỗ rạn nứt, không có lỗ, v.v). Bạn hãy thay ngay bộ lọc bị hỏng.**
- **Trước khi hút bụi, hãy đảm bảo rằng bộ lọc đã được lắp chắc chắn.**
- **Trước khi hút bụi, hãy đảm bảo nắp ngăn pin an toàn đã đóng.**
- **Bạn hãy tìm hiểu về các qui định/luật hiện hành liên quan đến bụi gây hại đến sức khỏe tại đất nước của bạn.**
- **Chỉ hút bụi đá bằng các tổ hợp công cụ điện và hệ thống hút được chỉ định rõ ràng, nó đã được chứng minh là không vượt quá các giá trị giới hạn pháp luật.** Hãy tham khảo chứng minh trên <http://www.bosch-professional.com/dust>.

Thông thường, máy hút bụi có thể không nên sử dụng trong phòng, nơi có sẵn nguy cơ gây nổ.

Để đảm bảo công suất hút bụi tối ưu, bạn phải luôn đuổi thẳng ống hút mềm (13) hoàn toàn khỏi giá đỡ ống hút bụi (27).

### Bật Mở và Tắt

Để **bật** máy hút bụi, bạn hãy ấn nhanh phím bật/tắt (3).

Để **Tắt** máy hút bụi, bạn hãy ấn lại phím bật/tắt (3).

Vi lý do an toàn, máy hút bụi không bật, nếu nút bật/tắt (3) được nhấn hơn 5 s.

## Hút bụi khô

### Hút sạch các loại bụi phát sinh từ các dụng cụ điện (xem Hình G)

#### ► Phải có sẵn hệ số thông gió đầy đủ trong phòng, khi khí phát thải trở lại phòng. Chú ý các quy định quốc gia tương ứng.

- Lắp bộ thích ứng hút (14) hoặc vòi cong (15) (xem „Lắp bộ thích ứng hút hoặc vòi cong (xem Hình D)“, Trang 68).
- Cắm bộ thích ứng hút (14) hoặc vòi cong (15) vào miệng hút của dụng cụ điện.

Chỉ khi sử dụng bộ thích ứng hút (14):

**Lưu ý:** Khi làm việc với dụng cụ điện, nguồn cấp khí của vào ống mềm nhỏ (ví dụ như máy cưa, máy mài v.v.), vòi khí xâm nhập (32) của bộ thích ứng hút (14) phải được mở. Điều này cải thiện hiệu suất tổng thể của máy hút bụi và dụng cụ điện. Xoay vòng qua miệng thoát khí (32), cho tới khi đạt độ mở tối đa.

## Hút Vật Ấm Ướt

- **Không hút các chất lỏng dễ cháy hoặc dễ nổ, ví dụ như xăng, dầu, côn, dung môi. Không hút các bụi nóng, bụi dễ cháy nổ. Không vận hành máy hút bụi trong các không gian dễ nổ.** Rác, chất khí, chất lỏng loại có thể gây cháy hay nổ.

### Trước khi hút ướt

- Làm rỗng thùng chứa (1).
- Làm sạch bộ lọc (33) và đặt lại vào máy hút bụi (xem „Làm sạch/thay bộ lọc (xem Hình I1–I2)“, Trang 70).

Máy hút bụi được trang bị một chiếc phao đo (34). Nếu mức đầy đạt tối đa, việc hút bụi sẽ dừng lại.

### Sau mỗi lần hút ướt

- Làm rỗng thùng chứa (1).
- Xả cạn nước khỏi bộ lọc (33).

### Để tránh hiện tượng mốc sau khi hút bụi ướt

- Mở nắp trên cùng của máy hút bụi (5) và để khô dần.
- Bỏ bộ lọc ra (33) và để nó khô dần (xem „Làm sạch/thay bộ lọc (xem Hình I1–I2)“, Trang 70).

## Bảo Dưỡng và Bảo Quản

### Bảo Dưỡng Và Làm Sạch

- **Hãy tháo phích cắm ra khỏi ổ cắm điện, trước khi bạn bảo dưỡng hoặc làm sạch, điều chỉnh thiết bị, thay phụ kiện, hoặc bảo quản máy hút bụi.** Biện pháp thận trọng sẽ tránh việc khởi động máy hút bụi không chủ ý.

- ▶ **Để sự hoạt động an toàn và bình thường, luôn luôn giữ máy hút bụi và các khe thông gió được sạch.**
- ▶ **Mang khẩu trang khi bảo trì và làm sạch máy hút bụi.**

Thỉnh thoảng lau sạch vỏ của máy hút bụi bằng vải ẩm.

Lau sạch các điểm tiếp xúc sạc bằng vải khô.

- ▶ **Không vệ sinh máy hút bụi bằng khí nén.** Bộ lọc hoặc các thành phần khác có thể bị hư hỏng.

Ít nhất mỗi năm một lần, máy hút bụi phải được kiểm tra bụi bởi nhà sản xuất hoặc người được đào tạo (ví dụ: kiểm tra bộ lọc xem có bị hỏng không, kiểm tra độ kín ở máy hút bụi và kiểm tra chức năng chính xác ở các thiết bị điều khiển).

#### **Làm sạch và bảo trì sau khi hút các chất có hại cho sức khỏe**

- Hãy coi tất cả các bộ phận có thể đã tiếp xúc với chất độc hại đều bị nhiễm bẩn.
- Hút bụi, lau kỹ hoặc bịt kín bên ngoài máy hút bụi trước khi tháo nó ra khỏi khu vực có chất gây nguy hiểm cho sức khỏe.
- Chỉ làm sạch, tháo dỡ và bảo trì máy hút bụi, nếu không có nguy hiểm cho bạn và người khác. Mang thiết bị bảo vệ cá nhân khi bảo trì và làm sạch. Hãy tiến hành các công việc trong phòng được thông khí tốt.
- Trước hết, hãy làm sạch mặt ngoài của máy hút bụi, trước khi tháo ra.
- Thải bỏ tất cả bộ phận của máy hút bụi không thể làm sạch kỹ trong túi không thấm nước. Vui lòng tuân thủ các quy định hiện hành về việc xử lý chất thải đó.
- Sau khi hoàn thành công việc, hãy làm việc khu vực bảo trì.

#### **Vệ sinh khoang chứa (xem Hình H1–H2)**


Làm sạch thùng chứa (1) sau khi sử dụng, để nhậ được công suất tối ưu của máy hút bụi.


- Mở các khóa (2) và tháo nắp trên cùng của máy hút bụi (5).
- Giữ thùng chứa (1) trên một thùng rác phù hợp.
- Nếu cần, hãy vệ sinh thùng chứa bằng khăn ẩm. Nếu cần, hãy vệ sinh bộ lọc (xem „Làm sạch/thay bộ lọc (xem Hình I1–I2)“, Trang 70).
- Đặt nắp trên cùng của máy hút bụi (5) lại và đóng các khóa (2).

#### **Làm sạch/thay bộ lọc (xem Hình I1–I2)**

Công suất hút phụ thuộc vào tình trạng bộ lọc. Do đó, bạn nên vệ sinh bộ lọc thường xuyên.

Thay thế bộ lọc bị hỏng ngay lập tức.

- Mở các khóa (2) và tháo nắp trên cùng của máy hút bụi (5).
- Xoay bộ lọc (33) theo hướng xoay  cho đến cứ chặn rồi lấy nó ra khỏi giá đỡ bộ lọc (35).

- Để khô bộ lọc:  
Gõ vào bộ lọc (33) trên thùng chứa rác phù hợp. Đảm bảo rằng các bản mỏng của bộ lọc không hỏng.  
Để đạt lực hút tối đa, hãy chải các bản mỏng của bộ lọc bằng bàn chải mềm.  
*hoặc*  
bộ lọc ướt:  
Rửa bộ lọc (33) bên dưới nước chảy và sau đó để khô kỹ.  
*hoặc*  
Hãy thay một bộ lọc bị hỏng (33).
- Cắm bộ lọc (33) qua giá đỡ bộ lọc (35) và xoay theo hướng xoay đến khi dừng lại .
- Đặt nắp trên cùng của máy hút bụi (5) lại và đóng các khóa (2).  
Hãy đảm bảo rằng nắp được khớp chắc chắn.

#### **Các trục trặc**

Nếu công suất hút không đủ, hãy kiểm tra:

- Thùng chứa (1) có đầy không?  
▷ (xem „Vệ sinh khoang chứa (xem Hình H1–H2)“, Trang 70).
- Bộ lọc (33) có bụi không?  
▷ (xem „Làm sạch/thay bộ lọc (xem Hình I1–I2)“, Trang 70).
- Dung lượng pin quá yếu?  
▷ Hãy sạc pin.

Việc làm rỗng thường xuyên thùng chứa bụi (1) và làm sạch bộ lọc (33) sẽ đảm bảo công suất hút tối ưu.

Nếu sau đó không đạt tới công suất hút, hãy liên hệ với trung tâm dịch vụ khách hàng **Bosch**.

#### **Bảo quản (xem Hình J)**

- Cắm ống hút cứng (18) vào khóa giữ (25).
- Cắm vòi nối (16) vào ống hút (18).
- Cắm ống hút sàn (17) vào giá đỡ (27).
- Quấn ống hút (13) từ dưới quanh giá đỡ (27) và gắn vòng dây giữ (36).
- Chỉ cầm máy hút bụi bằng tay xách (6) hoặc bằng dây đai chiiij tải (nếu có).
- Đặt máy hút bụi ở nơi khô ráo và tránh xa phạm vi của người không được cho phép sử dụng.

#### **Dịch vụ hỗ trợ khách hàng và tư vấn sử dụng**

Bộ phận phục vụ hàng sau khi bán của chúng tôi trả lời các câu hỏi liên quan đến việc bảo dưỡng và sửa chữa các sản phẩm cũng như phụ tùng thay thế của bạn. Sơ đồ mô tả và thông tin về phụ tùng thay thế cũng có thể tra cứu theo dưới đây:

**www.bosch-pt.com**

Đội ngũ tư vấn sử dụng của Bosch sẽ giúp bạn giải đáp các thắc mắc về sản phẩm và phụ kiện.

Trong tất cả các phản hồi và đơn đặt phụ tùng, xin vui lòng luôn luôn nhập số hàng hóa 10 chữ số theo nhãn của hàng hóa.

**Việt Nam**

CN CÔNG TY TNHH BOSCH VIỆT NAM TẠI  
TP.HCM  
Tầng 14, Ngôi Nhà Đức, 33 Lê Duẩn  
Phường Bến Nghé, Quận 1, Thành Phố Hồ Chí  
Minh  
Tel.: (028) 6258 3690  
Fax: (028) 6258 3692 - 6258 3694  
Hotline: 1900 9988 50  
Email: tuvankhachhang-pt@vn.bosch.com  
www.bosch-pt.com.vn

**Xem thêm địa chỉ dịch vụ tại:**

[www.bosch-pt.com/serviceaddresses](http://www.bosch-pt.com/serviceaddresses)

**Vận chuyển**

Pin Li-Ion được khuyến nghị là đối tượng phải tuân theo các qui định của Pháp Luật về Hàng Hóa Nguy Hiểm. Người sử dụng có thể vận chuyển pin hợp khối bằng đường bộ mà không cần thêm yêu cầu nào khác.

Khi được vận chuyển thông qua bên thứ ba (vd. vận chuyển bằng đường hàng không hay đại lý giao nhận), phải tuân theo các yêu cầu đặc biệt về đóng gói và dán nhãn. Phải tham vấn chuyên gia về hàng hóa nguy hiểm khi chuẩn bị gói hàng.

Chỉ gửi pin hợp khối khi vỏ ngoài không bị hư hỏng. Dán băng keo hay che kín các điểm tiếp xúc hở và đóng gói pin hợp khối theo cách sao cho pin không thể xê dịch khi nằm trong bao bì. Ngoài ra, xin vui lòng chấp hành các qui định chi tiết có thể được bổ sung thêm của quốc gia.

**Sự thải bỏ**

Máy hút bụi, pin, phụ kiện và bao bì cần được tái sử dụng theo quy định về môi trường.



Không vứt máy hút bụi và pin/ắc quy cùng trong rác thải của gia đình!

**Pin/ắc quy:****Li-Ion:**

Tuân thủ những hướng dẫn trong phần vận chuyển (xem „Vận chuyển“, Trang 71).

وقم بتفريغ الوعاء. وإلا فقد تتعرض الشافطة للضرر.

⚠ انتبه! لا يجوز تخزين الشافطة في الأماكن المغلقة فقط.

⚠ انتبه! قم بتنظيف العوامة بشكل منتظم، وتأكد من عدم وجود أضرار بها. وإلا فقد يتأثر الأداء الوظيفي سلباً.

⚠ قم بتوفير تهوية مناسبة في مكان العمل.

⚠ احرص على إصلاح الشافطة لدى فنيين متخصصين مؤهلين فقط، واستخدم قطع الغيار الأصلية، حيث يضمن هذا الحفاظ على سلامة الشافطة.

⚠ تحذير تحتوي الشافطة على غبار يمثل خطورة على الصحة.

احرص على أن تتم عمليات التفريغ والصيانة، بما في ذلك خلع وعاء تجميع الغبار، من قبل عمال متخصصين فقط. يجب استخدام تجهيزات الوقاية المناسبة. لا تقم بتشغيل الشافطة دون نظام الفلاتر الكامل الذي تم تركيبه بعناية. وإلا فسيكون هناك خطر على صحتك.

⚠ تأكد قبل التشغيل أن خرطوم الشفط في حالة سليمة. عند القيام بذلك، اترك خرطوم الشفط مركب على الشافطة، حتى لا يخرج الغبار دون قصد. وإلا فقد يتسبب ذلك في استنشاقك للغبار.

⚠ لا تقم بتنظيف الشافطة باستخدام تيار ماء موجه بشكل مباشر. يزداد خطر التعرض للصدمة الكهربائية في حالة تسرب الماء إلى الجزء العلوي من الشافطة.

⚠ لا تفتح المرمك. يتشكل خطر تقصير الدائرة الكهربائية.

⚠ قد تنطلق أبخرة عند تلف المرمك واستخدامه بطريقة غير ملائمة. يمكن أن يحترق المرمك أو يتعرض للانفجار. أمن توفر الهواء النقي وراجع الطبيب إن شعرت بشكوى. قد تهيج هذه الأبخرة المجاري التنفسية.

⚠ في حالة سوء الاستعمال أو تلف المرمك فقد يتسرب السائل القابل للاشتعال من المرمك.

تجنب ملامسته. اشطفه بالماء في حال ملامسته بشكل غير مقصود. في حالة وصول السائل إلى العينين، فراجع الطبيب إضافة إلى ذلك. قد يؤدي سائل المرمك المتسرب إلى تهيج البشرة أو إلى الاحتراق.

⚠ يمكن أن يتعرض المرمك لأضرار من خلال الأشياء المدببة مثل المسامير والمفكات أو من خلال تأثير القوى الخارجية. وقد يؤدي هذا إلى تقصير الدائرة الكهربائية الداخلية واحتراق المرمك أو خروج الأبخرة منه أو انفجاره وتعرضه لسخونة مفرطة.

⚠ حافظ على إبعاد المرمك الذي لا يتم استعماله عن مشابك الورق وقطع النقود المعدنية والمفاتيح والمسامير واللواكب وغيرها من الأغراض المعدنية الصغيرة التي قد تقوم بتوصيل الملامسين ببعضها البعض. قد يؤدي تقصير الدارة الكهربائية بين ملامسي المرمك إلى الاحتراق أو إلى اندلاع النار.

## عربي

### إرشادات الأمان الخاصة بالشافطة



اقرأ جميع إرشادات الأمان والتعليمات. إن ارتكاب الأخطاء عند تطبيق إرشادات الأمان والتعليمات قد يؤدي إلى حدوث صدمات كهربائية، و إلى نشوب المرائق و/أو الإصابة بجروح خطيرة. احتفظ بجميع الملاحظات التحذيرية والتعليمات للمستقبل.

⚠ هذه الشافطة غير مناسبة للاستعمال من قبل الأطفال والأشخاص الذين يعانون من نقص في القدرات البدنية أو الحسية أو العقلية أو الذين ليست لديهم الدراية والمعرفة. وإلا فقد ينشأ خطر من الاستخدام الخاطئ أو وقوع إصابات.

⚠ قم بمراقبة الأطفال. لضمان عدم عبث الأطفال بالشافطة.

⚠ احرص على مراعاة كافة لوائح الأمان الخاصة بالمواد المراد شفطها.

⚠ لا تقم بشفط غبار خشب الزان أو خشب البلوط أو الأسبستوس. لا يجوز شفط غبار الحجارة إلا بالارتباط مع أنظمة الشفط المصراع بوضوح باستخدامها مع GAS 18V-10 L من Bosch. حيث تعتبر هذه المواد من مسببات السرطان.

⚠ تحذير لا تستخدم الشافطة إلا عند توافر معلومات كافية عن

طريقة استخدامها والمواد التي يمكن شفطها وعن التخلص من هذه المواد بشكل آمن. اتباع الإرشادات بعناية يحد من وقوع أخطاء تشغيل أو إصابات.

⚠ تحذير الشافطة مناسبة لشفط

المواد الجافة، ويمكن، عبر اتخاذ الإجراءات المناسبة، استخدامها أيضاً في شفط السوائل. يزداد خطر التعرض لصدمة كهربائية في حالة تسرب السوائل.

⚠ لا تستخدم الشافطة في شفط السوائل القابلة للاشتعال أو الانفجار، مثل البنزين، الزيت، الكحول، المواد المذيبة. لا تقم بشفط غبار ساخن أو مشتعل أو انفجاري. لا تقم بتشغيل الشافطة في الأماكن المعرضة لخطر الانفجار. من الممكن اشتعال أو انفجار الغبار، والأبخرة والسوائل.

⚠ تحذير أوقف الشافطة على الفور في حالة خروج رغوة أو ماء،



اختبار الشافطة فنيًا بصدد الأعباء وهي توافق فئة الغبار L. وهي مناسبة لتلبية المتطلبات العالية في حالة الاستخدام المهني، مثلًا في الأعمال الحرفية والصناعية والورش الفنية.

لا يجوز استخدام الشافطات من فئة الغبار L طبقًا للمواصفة IEC/EN 60335-2-69 إلا في شفت للمواصفات للمرض بالصحة ذات قيمة تعرض حدية < 1 مجم/متر<sup>3</sup>.

استخدم الشافطة فقط إن كنت على دراية بجميع وظائفها بشكل كامل وقادر على تنفيذ هذه الوظائف دون تقييد أو إن كنت قد استلمت التعليمات الموافقة.

#### Rotational Airflow

يوفر عليك نظام الترشيح دون أكياس استخدام أكياس الغبار. يتم تجميع الاتساخات على الجدار الخارجي للوعاء.

#### الأجزاء المصورة

تستند أرقام الأجزاء المصورة إلى صور الشافطة على صفحات الرسوم التخطيطية.

- (1) الوعاء
- (2) قفل الجزء العلوي من الشافطة
- (3) زر التشغيل والإطفاء
- (4) مؤشر حالة شمن المركم
- (5) الجزء العلوي من الشافطة
- (6) مقبض حمل
- (7) حاضن خرطوم الشفت/حامل فوهة الأرضيات
- (8) حاضن الخرطوم
- (9) حلقات تثبيت
- (10) حاضن أنبوب الشفت/حامل فوهة الشقوق
- (11) زر تحرير غطاء حيز المركم
- (12) غطاء حجيرة المركم
- (13) خرطوم الشفت
- (14) مهابئ الشفت
- (15) القطعة المنحنية
- (16) فوهة الشقوق
- (17) فوهة الأرضيات
- (18) ماسورة الشفت
- (19) حجيرة المركم
- (20) المركم<sup>(a)</sup>
- (21) زر تحرير المركم<sup>(a)</sup>
- (22) لولب التثبيت
- (23) حاجب الرؤية
- (24) حامل غطاء حجيرة المركم
- (25) حامل أنبوب الشفت وفوهة الشقوق
- (26) لولب تثبيت الحامل (27)
- (27) حامل خرطوم الشفت وفوهة الأرضيات
- (28) زر انضغاطي
- (29) حزام الحمل<sup>(a)</sup>
- (30) عجلة تحريك<sup>(a)</sup>

- ◀ **اقتصر على استخدام المركم في منتجات الجهة الصانعة.** يتم حماية المركم من فرط التحميل الخطير بهذه الطريقة فقط دون غيرها.
- ◀ **اشمن المراكم فقط عبر أجهزة الشمن التي يُنصح باستخدامها من طرف المنتج.** ينشأ خطر اندلاع حريق عند استخدام الشواجن المخصصة لنوع معين من المراكم مع نوع آخر من المراكم.
- احرص على حماية المركم من الحرارة، بما ذلك التعرض لأشعة الشمس باستمرار ومن النار والاتساخ والماء والرطوبة.** حيث ينشأ خطر الانفجار وخطر حدوث دائرة قصر.
- ◀ **لا تعمل بالشافطة في حالة حملها باستخدام حزام حمل.** فقد تعلق في شريط الحمل وتعرض للسقوط.
- ◀ **اقتصر على استخدام حزام الحمل مع الشافطة فقط.**



#### الرموز

قد تكون الرموز التالية ذات أهمية من أجل استعمال الشافطة. يرجى حفظ الرموز ومعناها. يساعدك تفسير الرموز بشكل صحيح على استعمال الشافطة بطريقة أفضل وأكثر أمانًا.

#### الرموز ومعناها

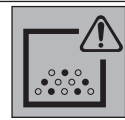
**تحذير! اقرأ جميع إرشادات الأمان والتعليمات.** ارتكاب الأخطاء عند تطبيق إرشادات الأمان والتعليمات، قد يؤدي إلى حدوث صدمات كهربائية أو إلى نشوب الحرائق و/أو الإصابة بجروح خطيرة.



الشافطة من فئة الغبار L طبقًا للمواصفة IEC/EN 60335-2-69 مخصصة للشفت الجاف للغبار المضر بالصحة ذي قيمة تعرض حدية < 1 مجم/متر<sup>3</sup>.



**تحذير! تمتوي الشافطة على غبار يمثل خطورة على الصحة. احرص على أن تتم عمليات التفريغ والصيانة، بما في ذلك خلع وعاء تجميع الغبار، من قبل عمال متخصصين فقط. يجب استخدام تجهيزات الوقاية المناسبة. لا تقم بتشغيل الشافطة دون نظام الفلاتر الكامل الذي تم تركيبه بعناية. وإلا فسيكون هناك خطر على صحتك.**



#### وصف المنتج والأداء

يرجى الرجوع إلى الصور الموجودة في الجزء الأول من دليل التشغيل.

#### الاستعمال المخصص

الشافطة مخصصة لجميع أنواع الغبار الجافة غير القابلة للاشتعال والسوائل غير القابلة للاشتعال وخليط الماء والهواء وشفتها ونقلها وفصلها. تم

## شاقطة المواد الجافة/المبلة العامة بمركم

GAS 18V-10 L	أجهزة الشحن الموصى بها
GAL 18...	
GAX 18...	
GAL 36...	

(A) مفاصة عند درجة حرارة 20-25 °م مع مركم  
GBA 18V 6.3Ah

(B) مفاصة في وجود خرطوم الشفط (13) والقطعة  
المنحنية (15)

(C) حسب المركم المُستخدم

(D) قدرة محدودة في درجات الحرارة > 0 °م  
قد تختلف القيم حسب المنتج وظروف الاستخدام والبيئة. المزيد من  
المعلومات على موقع الإنترنت  
.www.bosch-professional.com/wac

## مركم

تبيع شركة **Bosch** الشاقطة العامة بمركم دون  
مركم أيضًا. يمكنك أن تعرف من العبوة ما إذا كان  
المركم موجود ضمن مجموعة التجهيزات الموردة مع  
الشاقطة الخاصة بك.

## شحن المركم

◀ **اقتصر على استخدام أجهزة الشحن المذكورة  
في المواصفات الفنية.** أجهزة الشحن هذه دون  
غيرها هي المتوافمة مع مركم أيونات الليثيوم  
المستخدم في الشاقطة الخاصة بك.

**ملحوظة:** يتم تسليم مراكم أيونات الليثيوم مشحونة  
جزئيًا وفقًا للوائح النقل الدولية. لضمان قدرة أداء  
المركم الكاملة، يتوجب شحن المركم بشكل كامل  
قبل الاستعمال لأول مرة.

## تركيب المركم وخلعه

### (انظر الصور A1-A2)

◀ **لا تستخدم القوة عند تركيب المركم.** فالمركم  
مصمم بحيث لا يمكن وضعه إلا في الموضع  
الصحيح بالجهاز.

◀ حافظ دائمًا على حيز المركم وصندوق المركم، حتى  
يمكنك العمل بشكل جيد وآمن.

- اضغط على زر التحرير (11) لفتح غطاء حيز المركم  
(12).

- أدخل المركم (20) في حجيرة المركم (19) إلى أن  
يُثبت بصوت مسموع.

- لإخراج المركم (20) اضغط على زر التحرير (21)  
بالمركم وأخرجه من حجيرة المركم (19).

- أغلق غطاء حيز المركم (12).

## تغيير غطاء حجيرة المركم

### (انظر الصور A3-A5)

إذا رغبت في استخدام المركم ProCORE18V 12Ah  
فلن يمكن غلق غطاء حجيرة المركم (12). يمكن  
استبدال غطاء حجيرة المركم (12) بحاجب الرؤية  
مصمم لهذه الحالة (23).

لا يجوز استخدام الشاقطة بينما النطاق المحيط رطب  
أو مبلل إلا وغطاء حجيرة المركم مغلق.

**فك غطاء حجيرة المركم (انظر الصورة A3)**

أخرج المركم (20) من حجيرة المركم (19).

(31) حاضن عجلة التحريك

(32) فوهة الهواء الزائف

(33) فلتر

(34) عوامة

(35) حامل الفلتر

(36) عروة تعليق خرطوم الشفط

(a) هذه التوابع ليست ضمن نطاق التوريد القياسي.

## البيانات الفنية

### شاقطة المواد الجافة/المبلة العامة بمركم

رقم الصنف	3 601 JC6 3..	GAS 18V-10 L
الجهد	فلط	18
قدرة الدخل الاسمية	واط	260
سعة الوعاء (الإجمالية)	لتر	10
السعة الصافية (السائل)	لتر	6
أقصى ضغط تفريغ <sup>(A)</sup>		
- الشاقطة <sup>(B)</sup>	هيكيتو باسكال	90
- التوربين	هيكيتو باسكال	115
أقصى كمية تدفق <sup>(A)</sup>		
- الشاقطة <sup>(B)</sup>	لتر/ثانية متر <sup>3</sup> / ساعة	24 86
- التوربين	لتر/ثانية متر <sup>3</sup> / ساعة	34 122
مدة التشغيل بشحنة مركم واحدة	دقيقة/ أمبير ساعة	4
فئة الغبار		L
الوزن حسب EPTA-Procedure 01:2014	كجم	5,1-6,1 <sup>(C)</sup>
نوع الحماية		IPX4
درجة الحرارة المحيطة الموصى بها عند الشحن	°م	35+ ... 0
درجة الحرارة المحيطة المسموح به عند التشغيل <sup>(D)</sup> وعند التخزين	°م	50+ ... 20-
المراكم الموصى بها		GBA 18V... ProCORE18V...

مصايح الدايدو	السعة
الإضاءة الوماضة 1 × أخضر	5-0 %

## ملاحظات للتعامل مع المرمك بطريقة مثالية

قم بحماية المرمك من الرطوبة والماء.  
لا تقم بتخزين المرمك إلا في نطاق درجة حرارة يقع بين 20°م وحتى 50°م. لا تترك المرمك في السيارة في فصل الصيف مثلاً.  
نظف فتحات التهوية بالمرمك من فترة لأخرى، بواسطة فرشاة طرية ونظيفة وجافة.  
إذا انخفضت فترة التشغيل بعد الشحن بدرجة كبيرة فهذا يعني أن المرمك قد استهلك وأنه يجب استبداله.  
تراجع الإرشادات عند التخلص من العدد.

## التركيب

◀ أخرج المرمك قبل صيانة الشافطة، أو تنظيفها، أو إجراء أوضاع الضبط أو تغيير قطع التوابع أو تخزين الشافطة. تساهم هذه الإجراءات الاحتياطية في منع التشغيل غير المقصود للشافطة.

## تركيب حوامل توابع الشافطة (انظر الصورة B)

- أدخل الحامل (25) الخاص بأنبوب الشفط وفوهة الشفوق من أعلى في الحاضن المخصص (10) إلى أن يثبت.  
- أدخل الحامل (27) الخاص بخراطوم الشفط وفوهة الأرضيات من أعلى في الحاضن المخصص (7) واربط لولب التثبيت (26) بإحكام.

## تركيب خرطوم الشفط (انظر الصورة C)

- أدخل خرطوم الشفط (13) في حاضن الخرطوم (8) إلى أن يثبت الزران الانضغاطيان (28) لخرطوم الشفط.

**ملاحظة:** أثناء الشفط ينشأ نتيجة احتكاك الغبار بخراطوم الشفط وتوابع الشافطة شحنة كهروستاتيكية يمكن أن يحس بها المستخدم في شكل تفريغ إلكتروستاتيكي (تبعاً للظروف المحيطة ودرجة حساسية جسم المستخدم).

## تركيب توابع الشفط

خرطوم الشفط (13) مجهز بنظام تثبيت، يمكن عن طريقه توصيل تابع الشفط (مهايئ شفط (14)، القطعة المنحنية (15)).

## تركيب مهايئ الشفط أو القطعة المنحنية (انظر الصورة D)

قم بتركيب مهايئ الشفط (14) أو القطعة المنحنية (15) في خرطوم الشفط (13) إلى أن يثبت الزران الانضغاطيان (28) لخرطوم الشفط بصوت مسموع.  
لغرض الفك اضغط على الزر الانضغاطي (28) للداخل وأخلع الأجزاء التركيبية من بعضها البعض.

قم بفك لولبي التثبيت (22) (ST4×12) باستخدام مفك براغي متصلبة PH1 وأخلع غطاء حجيرة المرمك (12).

## تركيب حاجب الرؤية (انظر الصورة A4)

اضغط الحامل (24) الخاص بغطاء حجيرة المرمك إلى أسفل وحرك حاجب الرؤية (23) لفتحه.

## خلع حاجب الرؤية (انظر الصورة A5)

ضع مفك البراغي المشقوبة وحرك غطاء حجيرة المرمك (23) إلى الخلف بعض الشيء، وأخلع غطاء حجيرة المرمك. أثناء هذا اضغط على الحامل (24) الخاص بغطاء حجيرة المرمك إلى أسفل.

## مؤشر حالة شحن المرمك

في حالة تركيب المرمك يمكنك التعرف على حالة شحن المرمك عن طريق مبدئين حالة شحن المرمك (4) الخاص بالشافطة، ونفسه في حالة خلعه من المرمك.

## بيان حالة شحن المرمك بالشافطة

بعد تشغيل الشافطة تضيء مصايح الدايدو الخمسة الخضراء الفاصلة بمبدئين حالة شحن المرمك (4) واحدة واحدة صعوداً وهبوطاً. بعدها تبين مصايح الدايدو حالة شحن المرمك (20).

## بيان حالة شحن المرمك بالمرمك

في حالة إخراج المرمك من الشافطة يمكن عرض حالة الشحن من خلال مصايح الدايدو بمبدئين حالة الشحن في المرمك.

اضغط على زر مبدئين حالة الشحن ☺ أو ☹ لعرض حالة الشحن.

إذا لم يضيء أي مصباح دايدو بعد الضغط على زر مبدئين حالة الشحن، فهذا يعني أن المرمك تالف ويجب تغييره.

ملحوظة: ليست كل أنواع المراكم تحتوي على مبدئين حالة شحن.

## نوع المرمك GBA 18V...



مصايح الدايدو	السعة
ضوء مستمر 3 × أخضر	100-60 %
ضوء مستمر 2 × أخضر	60-30 %
ضوء مستمر 1 × أخضر	30-5 %
الإضاءة الوماضة 1 × أخضر	5-0 %

## نوع المرمك ProCORE18V...



مصايح الدايدو	السعة
ضوء مستمر 5 × أخضر	100-80 %
ضوء مستمر 4 × أخضر	80-60 %
ضوء مستمر 3 × أخضر	60-40 %
ضوء مستمر 2 × أخضر	40-20 %
ضوء مستمر 1 × أخضر	20-5 %

لضمان قدرة شفط مثالية يجب دائماً فك خرطوم الشفط (13) بشكل كامل من حول حامل خرطوم الشفط (27).

### التشغيل والإطفاء

لغرض تشغيل الشافطة اضغط على زر التشغيل والإطفاء (3).  
لغرض إطفاء (3).  
لغرض تشغيل الشافطة اضغط مجدداً على زر التشغيل والإطفاء (3).  
لأسباب تتعلق بالسلامة لا يتم تشغيل الشافطة إذا ظل زر التشغيل والإطفاء مضغوطاً (3) لمدة تزيد عن 5 ثواني.

### الشفط الجاف

شفط الغبار المتساقط من العدة الكهربائية المشغلة (انظر الصورة G)

◀ يجب أن يكون معدل تغيير الهواء كافياً في الغرفة في حالة رجوع العادم إلى الغرفة. تراعى التعليمات المحلية المعنية.

– قم بتركيب مهابئ الشفط (14) أو القطعة المنحنية (15) (انظر «تركيب مهابئ الشفط أو القطعة المنحنية (انظر الصورة D)»، الصفحة 75).  
– أدخل مهابئ الشفط (14) أو القطعة المنحنية (15) في فوهة شفط العدة الكهربائية. فقط عند استخدام مهابئ الشفط (14):

**ملاحظة:** عند العمل باستخدام عدد كهربائية ذات دفق منخفض للهواء في خرطوم الشفط (مثلاً مناشير الأركت والمخالف وخلافه)، يجب أن يتم فتح فوهة الهواء الزائفة (32) لخرطوم الشفط (14). وبذلك يتم تحسين القدرة الإجمالية للشافطة والعدة الكهربائية. أدر لهذا الغرض الحلقة الموجودة فوق فوهة الهواء الزائفة (32) حتى يتم الوصول إلى أقصى وضع فتح.

### الشفط الرطب

◀ لا تستخدم الشافطة في شفط السوائل القابلة للاشتعال أو الانفجار، مثل البنزين، الزيت، الكحول، المواد المذيبة. لا تقم بشفط غبار ساخن أو مشتعل أو انفجاري. لا تقم بتشغيل الشافطة في الأماكن المعرضة لخطر الانفجار. من الممكن اشتعال أو انفجار الغبار، والأبخرة والسوائل.

### قبل الشفط الرطب

– قم بتفريغ الوعاء (1).  
– قم بتنظيف الفلتر (33) وقم بتركيبه مرة أخرى داخل الشافطة (انظر «تنظيف/تغيير الفلتر (انظر الصور 11-12)»، الصفحة 77).  
الشافطة مزودة بعوامة (34). إذا تم الوصول إلى ارتفاع الملاء الأقصى، تتوقف عملية الشفط.  
بعد كل شفط رطب  
– قم بتفريغ الوعاء (1).  
– قم بتفريغ المياه من الفلتر (33).

بعد عمليات الشفط الرطب ولتجنب حدوث تعفن  
– اخلع الجزء العلوي من الشافطة (5) واتركها تجف جيداً.

### تركيب الفوهات والأنابيب

– عند اللزوم أدخل أنابيب الشفط (18) في بعضها البعض بإحكام وثبتها في القطعة المنحنية (15) بإحكام.  
– أدخل فوهة الأرضيات (17) أو فوهة الشقوق (16) بإحكام في أنبوب الشفط (18) أو القطعة المنحنية (15).

### تثبيت حزام الحمل (توابع) (انظر الصورة E)

◀ حزام الحمل مخصص فقط لحمل الشافطة وتثبيتها!

قم بتركيب الحزام الملقى لحزام الحمل (29) في حلقة التثبيت (9) الخاصة بالشافطة.

### تركيب عجلات التحريك (توابع) (انظر الصورة F)

أدخل 4 خوابير تثبيت لعجلات التحريك (30) في حواضن عجلات التحريك (31) إلى أن تثبت بصوت مسموع.

يمكن أيضاً استخدام عجلات تحريك أخرى وفقاً للمواصفة EN 12529 (قطر خابور التثبيت 11 مم).

◀ افحص الأداء الوظيفي لمكابع العجلات قبل استخدام الشافطة.

### التشغيل

◀ أخرج المركب قبل صيانة الشافطة، أو تنظيفها، أو إجراء أوضاع الضبط أو تغيير قطع التوابع أو تخزين الشافطة. تساهم هذه الإجراءات الاحتياطية في منع التشغيل غير المقصود للشافطة.

◀ احرص على أن يكون نطاق العمل نظيفاً ومنظماً لتجنب خطر التعثر.

### بدء التشغيل

◀ لا يجوز استخدام الشافطة دون فلتر.  
◀ اقتصر على استخدام الفلاتر السليمة (التي لا تحتوي على شقوق أو ثقوب وما شابه). قم بتغيير الفلتر التالف على الفور.  
◀ تأكد قبل الشفط من تركيب وحدة الفلتر بشكل ثابت.  
◀ تأكد قبل الشفط من غلق غطاء حيز المركب.  
◀ يرجى الاستسلام عن التشريرات/القوانين السارية في بلدك المتعلقة بالتعامل مع الأتربة التي تمثل خطورة على الصحة.  
◀ قم بشفط غبار الحجارة باستخدام المجموعة المجرية المكونة من العدة الكهربائية ونظام الشفط، والتي تُثبّت جواز النزول عن القيم الحدية القانونية فيها. تجد الإثباتات في الموقع الإلكتروني  
<http://www.bosch-professional.com/dust>

لا يجوز أساساً استخدام الشافطة في الحجرات المعرضة لخطر الانفجار.

- أخرج الفلتر (33) واتركه كذلك ليحفظ جيدا (انظر „تنظيف/تغيير الفلتر (انظر الصور 11-12)“، الصفحة 77).
- أعد تركيب الجزء العلوي للشافطة (5) وقم بتأمين الأقفال (2).

### تنظيف/تغيير الفلتر (انظر الصور 11-12)

- تتوقف قدرة الشفط على حالة الفلتر. لذلك يجب تنظيف الفلتر بصورة منتظمة.
- استبدل الفلتر التالف أولا.
- افتح الأقفال (2) واخلع الجزء العلوي للشافطة (5).
- أدر الفلتر (33) حتى النهاية في اتجاه الدوران  واخلعه من حامل الفلتر (35).
- الفلتر جاف:
- قم بالطرق على الفلتر (33) أعلى وعاء مهملات مناسب. احرص على عدم تعرض شرائح الفلتر للضرر.
- للحصول على أقصى قدرة شفط ممكنة، قم بتنظيف شرائح الفلتر باستخدام فرشاة ناعمة.
- أو
- الفلتر رطب:
- اغسل الفلتر (33) بماء صلبور واتركه يجف جيدا.
- أو
- استبدل الفلتر إن كان به تلف (33).
- أدخل الفلتر (33) عبر حامل الفلتر (35) وأدره حتى النهاية في اتجاه الدوران .
- أعد تركيب الجزء العلوي للشافطة (5) وقم بتأمين الأقفال (2).
- تأكد من ثبات الأقفال جيدا.

### الخلل

- إن كانت قدرة الشفط غير كافية، يفحص ما يلي:
- هل الوعاء (1) ممتلئ؟
- < انظر „تنظيف الوعاء“ (انظر الصور H1-H2)“، الصفحة 77.
- هل الفلتر (33) مسدود بالأتربة؟
- < انظر „تنظيف/تغيير الفلتر“ (انظر الصور 11-12)“، الصفحة 77.
- هل شحنة المرمك ضعيفة للغاية؟
- < اشحن المرمك.
- يضمن تفريغ الوعاء (1) وتنظيف الفلتر (33) بشكل منتظم قدرة شفط مثالية.
- إذا لم يتم بعد ذلك الوصول إلى قدرة الشفط فتوجه إلى أحد مراكز خدمة عملاء Bosch.
- **التخزين (انظر الصورة J)**
- قم بتركيب أنبوب الشفط (18) في الماسكات (25).
- أدخل فوهة الشقوق (16) في أنبوب شفط (18).
- أدخل فوهة الأرضيات (17) في موضع التثبيت (27).
- قم بلف خرطوم الشفط (13) من أسفل حول الحامل (27) وقم بتثبيت عروة المسك (36).
- لا تحمل الشافطة إلا من مقبض الحمل (6) أو حزام الحمل (إن وجد).
- أوقف الشافطة في مكان جاف وقم بتأمينها ضد الاستخدام غير المسموح به.

## الصيانة والخدمة

### الصيانة والتنظيف

- ◀ أخرج المرمك قبل صيانة الشافطة، أو تنظيفها، أو إجراء أوضاع الضبط أو تغيير قطع التوابع أو تخزين الشافطة. تساهم هذه الإجراءات الاحتياطية في منع التشغيل غير المقصود للشافطة.
- ◀ حافظ على نظافة الشافطة وشقوق التهوية للعمل بشكل جيد وآمن.
- ◀ احرص على ارتداء قناع الحماية من الغبار أثناء إجراء أعمال الصيانة والتنظيف على الشافطة.
- احرص على تنظيف جسم الشافطة من وقت إلى آخر باستخدام قطعة قماش مبللة.
- قم بتنظيف ملامسات الشمن المتسخة باستخدام قطعة قماش جافة.
- ◀ لا تقم بتنظيف الشافطة باستخدام الهواء المضغوط. فقد يتعرض الفلتر والأجزاء الأخرى لأضرار.
- ينبغي إجراء عملية فحص فنية للغبار من قبل الجهة الصانعة أو من قبل شخص مؤهل مرة واحدة في السنة على الأقل (على سبيل المثال، من حيث وجود أضرار بالفلتر، وإحكام الشافطة ضد التسريب و سلامة عمل تجهيزات التحكم).

### التنظيف والصيانة بعد شفط المواد المضرة بالصحة

- اعتبر جميع الأجزاء التي ربما تكون قد لامست المواد المضرة بالصحة ملوثة.
- قم بشفط الإرساخات من السطح الخارجي للشافطة أو مسحها أو قم بتغليف السطح الخارجي قبل إخراجها من نطاق المواد المضرة بالصحة.
- لا تقم بتنظيف الشافطة وتفكيكها وصيانتها إلا إذا كان من الممكن القيام بذلك دون تعريض نفسك أو الآخرين للخطر. قم بارتداء معدات الحماية الشخصية أثناء الصيانة والتنظيف. قم بتنفيذ العمل في غرفة جيدة التهوية.
- قم أولاً بتنظيف الشافطة من الخارج قبل تفكيكها.
- تخلص من جميع أجزاء الشافطة التي لا يمكن تنظيفها بشكل مرض في أكياس غير منفذة. يرجى مراعاة الأحكام السارية بصدد التخلص من هذه النفايات.
- قم بتنظيف منطقة الصيانة بعد الانتهاء من العمل.

### تنظيف الوعاء (انظر الصور H1-H2)

- قم بتنظيف الوعاء (1) بعد كل استخدام للحفاظ على الكفاءة المثالية لأداء الشافطة.
- افتح الأقفال (2) واخلع الجزء العلوي للشافطة (5).
- قم بنبض الوعاء (1) أعلى وعاء مهملات مناسب.
- عند اللزوم قم بتنظيف الوعاء باستخدام قطعة قماش مبللة.

## خدمة العملاء واستشارات الاستخدام

يجب مركز خدمة العملاء على الأسئلة المتعلقة بإصلاح المنتج وصيانته، بالإضافة لقطع الغيار. تجد الرسوم التفصيلية والمعلومات الخاصة بقطع الغيار في الموقع: [www.bosch-pt.com](http://www.bosch-pt.com)  
يسر فريق Bosch لاستشارات الاستخدام مساعدتك إذا كان لديك أي استفسارات بخصوص منتجاتنا وملحقاتها.

يلزم ذكر رقم الصنف ذو الخانات العشر وفقا للوحة صنع المنتج عند إرسال أية استفسارات أو طلبيات قطع غيار.

### المغرب

Robert Bosch Morocco SARL

53، شارع الملازم محمد محروود

20300 الدار البيضاء

الهاتف: +212 5 29 31 43 27

البريد الإلكتروني: [sav.outillage@ma.bosch.com](mailto:sav.outillage@ma.bosch.com)

تجد المزيد من عناوين الخدمة تحت:

[www.bosch-pt.com/serviceaddresses](http://www.bosch-pt.com/serviceaddresses)

## النقل

تخضع مراكم أيونات الليثيوم الموصى بها لاشتراطات قانون المواد الخطرة. يسمح للمستخدم أن يقوم بنقل المراكم على الطرقات دون التقيد بأية شروط إضافية.

عندما يتم إرسالها عن طريق طرف آخر (مثلا: الشحن الجوي أو شركة شحن)، يتوجب التقيد بشروط خاصة بصدد التغليف ووضع العلامات. ينبغي استشارة خبير متخصص بنقل المواد الخطرة عندما يرغب بتحضير المرمك المراد شحنه في هذه الحالة.

لا تقوم بشحن المراكم إلا إذا كان هيكلها الخارجي سليم. قم بتغطية الملامسات المكشوفة ن بلاصقات، و قم بتغليف المرمك بحيث لا يتحرك في الطرد. يرجى أيضا مراعاة التشريعات المحلية المتعلقة إن وجدت.

## التخلص من العدة الكهربائية

يجب التخلص من الشافطة والمركم والتوابع ومواد التغليف بطريقة محافظة على البيئة عن طريق تسليمها لمراكز النفايات القابلة لإعادة التصنيع.  
لا ترم الشافطة والمراكم/البطاريات ضمن النفايات المنزلية.



### المراكم/البطاريات:

#### مراكم أيونات الليثيوم:

يرجى مراعاة الإرشادات الواردة في جزء النقل (انظر „النقل“، الصفحة 78).

## فارسی

### راهنمایهای ایمنی برای جاروبرقی



همه دستورات ایمنی و راهنماییها را بخوانید. اشتباهات ناشی از عدم رعایت این دستورات ایمنی ممکن است باعث برقگرفتگی، سوختگی و یا سایر جراحات های شدید شود.

همه هشدارهای ایمنی و راهنماییها را برای آینده خوب نگهداری کنید.

این مکنده (جاروبرقی) برای استفاده توسط کودکان و سایر افراد دارای کاستیهای روحی و جسمی یا بدون تجربه یا آشنایی مناسب نیست. در غیر اینصورت خطر کاربرد اشتباه و جراحت وجود دارد.

مواظب کودکان باشید. اینگونه اطمینان حاصل می کنید که کودکان با جاروبرقی بازی نمی کنند.

تمام مقررات ایمنی مربوط به موادی که قرار است جاروبرقی شوند را رعایت کنید.

از مکش گرد و غبار چوب درخت راش یا بلوط یا آرزبست خودداری کنید. مکش گرد و غبار سنگ تنها باید توسط سیستم های مکشی که صراحتاً برای استفاده از L 18V-10 GAS از سوی Bosch تأیید شده اند، انجام شود. این مواد سرطانزا هستند.

هشدار آنها وقتی جاروبرقی را بکار برید که اطلاعات کافی در مورد نحوه کاربری آن، مواد مورد مکش و دفع مطمئن آنها را دریافت کردهاید. بکارگیری دقیق راهنماییه، استفاده اشتباه و بروز جراحات را کاهش می دهد.

هشدار این جاروبرقی برای مکش مواد خشک و در صورت تدبیرات متناسب جهت مکش مایعات نیز مناسب است. نفوذ مایعات خطر برق گرفتگی را افزایش می دهد.

از مکش مایعات دارای قابلیت اشتعال یا انفجار مانند بنزین، روغن، الکل و مواد حلال خودداری کنید. از مکش گرد و غبارهای دارای قابلیت اشتعال یا انفجار خودداری کنید. از به کارگیری مکنده در فضاهای دارای خطر انفجار خودداری کنید. گرد و غبارها، بخارها و مایعات می توانند آتش گرفته و یا منفجر شوند.

هشدار به محض خارج شدن کف یا آب از جاروبرقی، آن را سریع خاموش کنید و محفظه را تخلیه کنید. جاروبرقی ممکن است در غیر اینصورت آسیب ببیند.

توجه! شناور را مرتب تمیز کنید و آن را از نظر آسیبیدگی کنترل کنید. در غیر اینصورت کارایی دستگاه دچار اختلال می گردد.

مراقب باشید که محل کار شما از تهویه کافی برخوردار باشد.

برای تعمیر دستگاه فقط به متخصصین حرفه ای رجوع و از وسایل یدکی اصل استفاده کنید. اینگونه ایمنی جاروبرقی تضمین می شود.

هشدار مکنده حاوی گرد و غبار مضر برای سلامتی می باشد.

عملیات سرویس و تخلیه و نیز دفع محفظه جمعآوری گرد و غبار، فقط توسط متخصصین حرفه ای انجام شود. تجهیزات ایمنی مناسب الزامیست. مکنده را بدون سیستم فیلتر نصب شده کامل و دقیق بکار نبرید. در غیر اینصورت به سلامتی خود صدمه می زنید.

قبل از راهاندازی، از بینقصی شلنگ مکش اطمینان حاصل کنید. در این حالت، شلنگ مکش را روی جاروبرقی نصب شده بگذارید تا ناخواسته هیچ گرد و غباری خارج نشود. در غیر اینصورت ممکن است، گرد و غبار تنفس کنید. جاروبرقی را با فشار مستقیم آب تمیز نکنید. نفوذ آب به قسمت بالای جاروبرقی خطر برق گرفتگی را افزایش می دهد.

باتری را باز نکنید. خطر اتصال کوتاه وجود دارد.

در صورتیکه باتری آسیب دیده باشد و یا از بطور بی رویه استفاده شود، ممکن است از باتری بخارهایی بلند شود. باتری ممکن است آتش بگیرد یا منفجر شود. در این حالت هوای محیط را تازه کنید؛ اگر احساس ناراحتی کردید، به پزشک مراجعه نمایید. استنشاق این بخارها ممکن است به مجاری تنفسی شما آسیب برساند.

کاربری اشتباه باتری میتواند باعث خروج مایعات از آن شود. از هرگونه تماس با این مایعات خودداری کنید. در صورت تماس اتفاقی با آن، دست خود و یا محل تماس را با آب بشوئید. در صورت آلوده شدن چشم با این مایع، باید به پزشک مراجعه کنید. مایع خارج شده از باتری میتواند باعث التهاب پوست و سوختگی شود.

بوسیله ی اشیاء تیز مانند میخ یا پیچگوشتی یا تأثیر نیروی خارجی ممکن است باتری آسیب ببیند. ممکن است اتصال داخلی رخ دهد و باتری آتش گیرد، دود کند، منفجر شود یا بیش از حد داغ گردد.

در صورت عدم استفاده از باتری باید آنرا از گیره های فلزی، سکه، کلید، میخ، پیچ و دیگر وسایل کوچک فلزی دور نگه دارید، زیرا این وسایل ممکن است باعث ایجاد اتصالی

## توضیحات محصول و کارکرد

به تصویرهای واقع در بخشهای اول دفترچه راهنما توجه کنید.

### موارد استفاده از دستگاه

این دستگاه برای جمع آوری، مکش، هدایت و جدا سازی گرد و غبار خشک و غیر قابل اشتعال، مایعات غیر قابل اشتعال و مخلوط آب و هوا مناسب است. این جاروبرقی از نظر فنی نسبت به گرد و غبار کنترل شده است و مطابق با کلاس L می باشد. همچنین برای انتظارات بالا هنگام استفاده کاری برای مثال صنعتی، کارگاهی و کار فنی مناسب می باشد.

جاروبرقی کلاس گرد و غبار L مطابق با IEC/EN 60335-2-69 را باید فقط برای جمع آوری و مکش گرد و غبارهای مضر برای سلامتی با آستانه انفجار  $< 1 \text{ mg/m}^3$  به کار برد.

تنها وقتی از جاروبرقی استفاده کنید که با تمام کاراییهای آن آشنا هستید و می توانید بدون محدودیتی آن را بکار گیرید و یا راهنماییهای مربوطه را دریافت کرده اید.

### Rotational Airflow

سیستم فیلتر بدون کیسه، در استفاده از کیسه های گرد و غبار صرفه جویی می کند. آلودگی در دیواره داخلی محفظه جمع آوری می شود.

### تصاویر اجزاء دستگاه

شماره اجزایی که در تصویر مشاهده می شود، مربوط به شرح مکنده می باشد که تصویر آن در این دفترچه راهنما آمده است.

- (1) محفظه
- (2) درپوش قسمت بالای جاروبرقی
- (3) دکمه روشن/خاموش
- (4) نشانگر وضعیت شارژ باتری
- (5) قسمت بالای جاروبرقی
- (6) دسته حمل و نقل
- (7) نگه دارنده گیره شیلنگ مکش/نازل های کف
- (8) نگه دارنده شیلنگ
- (9) حلقه های اتصال
- (10) نگه دارنده گیره لوله مکش/نازل های دوکی
- (11) دکمه آزاد کننده درب جعبه باتری
- (12) درب جعبه باتری
- (13) شیلنگ مکش
- (14) آداپتور مکش
- (15) نازل خمیده
- (16) نازل دوکی
- (17) نازل کف
- (18) لوله مکش
- (19) محفظه باتری قابل شارژ

شوند. ایجاد اتصالی بین دو قطب باتری (ترمینالهای باتری) میتواند باعث سوختگی و ایجاد حریق شود.

از باتری قابل شارژ فقط در محصولات سازنده استفاده کنید. فقط در این صورت از باتری در برابر بار اضافی خطرناک محافظت می شود.

باتری را تنها توسط دستگاههای شارژ توصیه شده از طرف تولید کننده استفاده کنید.

چنانچه از شارژی که برای نوع خاصی از باتری ها در نظر گرفته شده است، جهت شارژ باتریهای دیگر استفاده شود، خطر آتشسوزی وجود دارد.

باتری را در برابر حرارت، از جمله در برابر تابش مداوم خورشید و همچنین در برابر آتش، آلودگی، آب و رطوبت محفوظ بدارید. خطر اتصالی و انفجار وجود دارد.



هنگامی که جاروبرقی را با تسمه نگه دارنده حمل می کنید، با آن کار نکنید. هنگام کار با جاروبرقی ممکن است به تسمه نگه دارنده گیر کرده و زمین بخورید.

تسمه حمل و نقل را فقط در ارتباط با جاروبرقی استفاده کنید.

## علامت ها

علائم و نماد های زیر و معانی آنها میتوانند برای کار و استفاده از جاروبرقی شما پر اهمیت باشند. لطفاً این علائم و مفهوم آنها را خوب بخاطر بسپارید. فهم درست این علائم به شما جهت استفاده ی درست و ایمن از جاروبرقی کمک می کند.

### علائم و مفهوم آنها

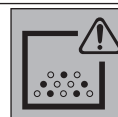
**هشدار! تمامی نکات ایمنی و دستورالعمل ها را بخوانید.** رعایت نکات ایمنی و دستورالعمل ها ممکن است باعث برق گرفتگی، سوختگی و/یا جراحت شدید شود.



جاروبرقی کلاس گرد و غبار L مطابق با IEC/EN 60335-2-69 جهت مکش خشک گرد و غبارهای مضر برای سلامتی با آستانه انفجار  $< 1 \text{ mg/m}^3$



**هشدار! جاروبرقی حاوی گرد و غبار مضر برای سلامتی می باشد. عملیات سرویس و تخلیه و نیز حذف محفظه جمع آوری گرد و غبار، فقط توسط متخصصین حرفه ای انجام شود. تجهیزات ایمنی مناسب الزامیست. جاروبرقی را بدون نصب کامل و دقیق سیستم فیلتر، بکار نبرید. در غیر اینصورت به سلامتی خود صدمه می زنید.**





**GAS 18V-10 L جاروبرقی خشک/تَر شارژی**

GAL 18...	شارژرهای توصیه شده
GAX 18...	
GAL 36...	

(A) اندازه گیری شده در دمای °C 25-20 با باتری قابل شارژ **GBA 18V 6.3Ah**.

(B) اندازه گیری شده با شیلنگ مکش (13) و نازل خمیده (15)

(C) بسته به نوع باتری کاربردی

(D) توان محدود برای دمای °C 0 <

مقادیر ممکن است بسته به محصول متفاوت باشند و بستگی به شرایط استفاده و محیطی دارند. اطلاعات بیشتر را در سایت [www.bosch-professional.com/wac](http://www.bosch-professional.com/wac) مشاهده نمایید.

**باتری قابل شارژ**

**Bosch** جاروبرقی های شارژی را بدون باتری قابل شارژ نیز می فروشد. می توانید از روی بسته بندی متوجه شوید که آیا باتری قابل شارژ همراه جاروبرقی شما ارائه شده است یا خیر.

**شارژ کردن باتری قابل شارژ**

◀ **تنها شارژرهای ذکر شده در مشخصات فنی را بکار برید.** تنها این دستگاه های شارژ با باتری های لیتیوم-یونی (Li-Ion) جاروبرقی شما منطبق میباشند.

**نکته:** باتری های قابل شارژ لیتیوم یونی به دلیل قوانین حمل و نقل بین المللی به صورت نیمه شارژ تحویل داده می شوند. برای دست یافتن به توان کامل باتری قابل شارژ، قبل از به کارگیری آن برای اولین بار، باتری را به طور کامل شارژ کنید.

**قرار دادن و برداشتن باتری قابل شارژ (رجوع کنید به تصاویر A1-A2)**

◀ **برای جا زدن باتری قابل شارژ، از اِعمال فشار خودداری کنید.** باتری قابل شارژ طوری طراحی شده است که بتوان آن را فقط در موقعیت صحیح در ابزار برقی قرار داد.

◀ جای باتری و جعبه باتری را جهت کار خوب و مطمئن همواره تمیز و خشک نگهدارید.

- دکمه آزاد کننده (11) را جهت باز کردن درب جعبه باتری (12) فشار دهید.

- باتری قابل شارژ (20) را در محفظه باتری (19) برانید تا به طور محسوس جا بیفتد.

- جهت برداشتن باتری شارژی (20) دکمه آزاد کننده (21) را در باتری قابل شارژ فشار دهید و آن را از محفظه باتری (19) خارج کنید.

- درب جعبه باتری (12) را ببندید.

**تعویض درب جعبه باتری (رجوع کنید به تصاویر A3-A5)**

اگر می خواهید از باتری قابل شارژ ProCORE18V 12Ah استفاده کنید، دیگر نمی توان درب جعبه باتری (12) را بست. در اینجا درب جعبه باتری (12) را می توان توسط محافظ (23) که برای این منظور طراحی شده، جایگزین کرد.

(20) باتری قابل شارژ<sup>(a)</sup>

(21) دکمه آزادسازی باتری قابل شارژ<sup>(a)</sup>

(22) پیچ های اتصال

(23) محافظ

(24) گیره درب جعبه باتری

(25) گیره لوله مکش و نازل دوکی

(26) پیچ تنظیم گیره (27)

(27) گیره شیلنگ مکش و نازل کف

(28) دکمه فشاری

(29) تسمه حمل و نقل<sup>(a)</sup>

(30) چرخ متمرک<sup>(a)</sup>

(31) نگه دارنده چرخ متمرک

(32) سوراخ هواگیری

(33) فیلتر

(34) شناور

(35) نگه دارنده فیلتر

(36) بست نگه دارنده شیلنگ مکش

(a) این تعلقات در محدوده استاندارد تحویل نیستند.

**مشخصات فنی**

جاروبرقی خشک/تَر شارژی		GAS 18V-10 L	
شماره فنی		3 601 JC6 3..	
ولتاژ	V	18	
توان ورودی نامی	W	260	
حجم محفظه (ناخالص)	l	10	
حجم خالص (مایع)	l	6	
حداکثر فشار خلا <sup>(A)</sup>			
- جاروبرقی <sup>(B)</sup>	hPa	90	
- توربین	hPa	115	
حداکثر میزان جریان <sup>(A)</sup>			
- جاروبرقی <sup>(B)</sup>	l/s m <sup>3</sup> /h	24 86	
- توربین	l/s m <sup>3</sup> /h	34 122	
مدت زمان کارکرد با هر بار شارژ باتری	min/Ah	4	
کلاس گرد و غبار	L		
وزن مطابق استاندارد EPTA-Procedure 01:2014	kg	5,1-6,1 <sup>(C)</sup>	
نوع حفاظت		IPX4	
دمای توصیه شده محیط هنگام شارژ	°C	0 ... +35	
دمای مجاز محیط هنگام کار <sup>(D)</sup> و هنگام انبار کردن	°C	-20 ... +50	
باتری های قابل شارژ توصیه شده		GBA 18V... ProCORE18V...	

### نوع باتری ProCORE18V...



ظرفیت	LED ها
80-100 %	5 چراغ ممتد سبز
60-80 %	4 چراغ ممتد سبز
40-60 %	3 چراغ ممتد سبز
20-40 %	2 چراغ ممتد سبز
5-20 %	1 چراغ ممتد سبز
0-5 %	1 چراغ چشمک زن سبز

### توضیحات و تذکراتی برای نحوه بهینه کار با باتری

باتری را در برابر رطوبت و آب حفظ کنید. باتری را منحصراً در دمای بین 20- تا 50 درجه نگهداری کنید. بطور مثال باتری را در تابستان داخل اتومبیل نگذارید. گاهبگاه شیارهای تهویه باتری را بوسیله یک قلم موی یا برس کوچک نرم و خشک تمیز کنید. افت قابل توجه مدت زمان کارکرد باتری که تازه شارژ شده است، نمایانگر آن است که باتری فرسوده و مستعمل شده و باید تعویض شود. به نکات مربوط به نحوه از رده خارج کردن باتری توجه کنید.

### نصب

◀ قبل از تمیز کردن، انجام تنظیمات، تعویض متعلقات یا کنار گذاشتن جاروبرقی، باتری را جدا کنید. رعایت این اقدامات پیشگیری ایمنی از راه افتادن ناخواسته جاروبرقی جلوگیری می کند.

### نصب گیره‌های متعلقات مکش (رجوع کنید به تصویر B)

- گیره لوله مکش و نازل کف (25) را کاملاً از بالا در نگهدارنده لوله مکش/نازل کف (10) مربوطه برانید تا جا بیفتد.
- گیره شلنگ مکش و نازل کف (27) را محکم از بالا در نگهدارنده شلنگ مکش/نازل کف (7) مربوطه برانید و پیچ تنظیم (26) را محکم کنید.

### قرار دادن شلنگ مکش (رجوع کنید به تصویر C)

- شلنگ مکش (13) را در آداپتور مکنده (8) قرار دهید تا هر دو دکمه ی فشاری (28) شلنگ مکش جا بیفتند.

**نکته:** هنگام کار، به دلیل مالش گرد و غبار در شلنگ مکش و متعلقات، بار الکترومغناطیسی ایجاد می شود که ممکن است کاربر به شکل تخلیه بار الکتریکی حس کند (بر حسب شرایط محیطی و حس کاربر).

استفاده از دستگاه مکنده در محیط مرطوب یا تر، فقط در صورت بسته بودن درب جعبه باتری مجاز است.

### برداشتن درب جعبه باتری (رجوع کنید به تصویر A3)

باتری (20) را از محفظه باتری (19) بردارید. هر دو پیچهای اتصال (22) (ST4×12) را با پیچگوشتی چهارسوی PH1 جدا کنید و درب جعبه باتری (12) را بردارید.

**قرار دادن محافظ (رجوع کنید به تصویر A4)**  
گیره درب جعبه باتری (24) را به پایین فشار دهید و محافظ (23) را عقب بکشید.

### برداشتن محافظ (رجوع کنید به تصویر A5)

یک پیچ گوشتی تخت را وارد کنید و محافظ (23) را کمی به عقب بکشید و آن را بیرون آورید. همزمان با آن گیره درب جعبه باتری (24) را به سمت پایین فشار دهید.

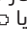
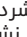
### نشانگر وضعیت شارژ باتری

به هنگام وجود باتری قابل شارژ می توانید وضعیت شارژ را در نشانگر وضعیت شارژ باتری (4) روی جاروبرقی و در زمانی که باتری قابل شارژ خارج شده باشد، روی خود باتری تشخیص دهید.

### نشانگر وضعیت شارژ باتری روی جاروبرقی

پس از روشن کردن جاروبرقی، 5 چراغ LED سبز نشانگر وضعیت شارژ باتری (4) به صورت تکی و رفت و برگشتی روشن می شوند. سپس LED ها، وضعیت شارژ باتری قابل شارژ (20) را نمایش می دهند.

### نشانگر وضعیت شارژ باتری روی باتری

در صورت خارج کردن باتری قابل شارژ از جاروبرقی، وضعیت شارژ می تواند توسط LED های سبز رنگ نشانگر وضعیت شارژ روی باتری، نمایش داده شود. جهت به نمایش در آمدن وضعیت شارژ، دکمه نشانگر وضعیت شارژ  یا  را فشار دهید. چنانچه پس از فشردن دکمه نشانگر وضعیت شارژ هیچ LED روشن نشود، باتری خراب است و باید تعویض گردد. نکته: هر نوع باتری قابل شارژ دارای نشانگر میزان شارژ نیست.

### نوع باتری GBA 18V...



ظرفیت	LED ها
60-100 %	3 چراغ ممتد سبز
30-60 %	2 چراغ ممتد سبز
5-30 %	1 چراغ ممتد سبز
0-5 %	1 چراغ چشمک زن سبز

◀ در مورد نحوه ی برخورد با گرد و غبار های مضر برای سلامتی از قوانین و مقررات معتبر مربوط به کشور خود کسب اطلاع کنید.

◀ گرد و غبار سنگ را فقط با هماهنگی تعیین شده در ابزار برقی و سیستم مکنده که برای آن حدود قانونی مشخص شده است، مکش کنید. مدارک را در سایت

<http://www.bosch-professional.com/dust>

می یابید.

از جاروبرقی کلا در مکانهای دارای خطر انفجار استفاده نکنید.

جهت تضمین توان مکش بهینه، باید شیلنگ مکش (13) را همیشه کاملاً دور نگه دارنده شیلنگ مکش (27) کلاف کنید.

### نحوه روشن/خاموش کردن

جهت روشن کردن جاروبرقی، دکمه روشن/خاموش (3) را کوتاه فشار دهید.

جهت خاموش کردن جاروبرقی، دکمه روشن/خاموش (3) را مجدداً فشار دهید.

چنانچه دکمه روشن/خاموش (3) بیش از 5 ثانیه فشرده شود، جاروبرقی به دلایل ایمنی روشن نمی شود.

### مکش خشک

مکش گرد و غبار ناشی از ابزارهای برقی در حال کار (رجوع کنید به تصویر G)

◀ چنانچه خروجی هوا در اتاق کاهش یابد، جریان تهویه کافی هوا در اتاق برقرار باشد. به قوانین کشور خود توجه نمایید.

- آداپتور دستگاه مکش (14) یا نازل سرکج (15) (رجوع کنید به „نحوه نصب آداپتور مکش یا نازل سرکج (رجوع کنید به تصویر D“، صفحه 83).

- آداپتور دستگاه مکش (14) یا نازل سرکج (15) را در لوله اتصال به دستگاه مکش در ابزار برقی قرار دهید.

فقط در صورت استفاده از آداپتور دستگاه مکش (14):

**نکته:** هنگام کار با ابزارهای الکتریکی، که فشار هوای ورودی شان در شلنگ مکش کم است (مثلاً اهره های عمودپر، ساب زن و غیره) باید سوراخ هواگیری (32) آداپتور مکش (14) باز شود. اینگونه قدرت مکش جاروبرقی و بازده ابزار برقی افزایش می یابد. بدین منظور، رینگ را روی سوراخ هواگیری (32) بچرخانید تا حداکثر قطر سوراخ ایجاد گردد.

### مکش مرطوب

◀ از مکش مایعات دارای قابلیت اشتعال یا انفجار مانند بنزین، روغن، الکل و مواد حلال خودداری کنید. از مکش گرد و غبارهای دارای قابلیت اشتعال یا انفجار خودداری کنید. از به کارگیری مکنده در فضاهای دارای خطر انفجار خودداری کنید. گرد و غبارها، بخارها و مایعات می توانند آتش گرفته و یا منفجر شوند.

قبل از مکش ثر

- محفظه (1) را خالی کنید.

### نصب متعلقات مکش

شلنگ مکش (13) مجهز به سیستم قرارگیری کلیک می باشد، که می تواند به متعلقات مکش (آداپتور دستگاه مکش (14)، نازل سرکج (15)) متصل شود.

نحوه نصب آداپتور مکش یا نازل سرکج (رجوع کنید به تصویر D)

آداپتور مکش (14) یا نازل سرکج (15) را روی شیلنگ مکش (13) قرار دهید تا هر دو دکمه فشاری (28) شیلنگ دستگاه مکش به طور محسوس جا بیفتند.

به منظور باز کردن، دکمه های فشاری (28) را به سمت داخل فشار دهید، و قطعات را از یکدیگر باز کنید.

### نصب نازلها و لولهها

- در صورت نیاز لوله های مکش (18) را محکم در هم و سپس در نازل سرکج (15) فرو کنید.

- نازل کف (17) یا نازل دوکی (16) را محکم در لوله مکش (18) یا در نازل سرکج (15) فرو کنید.

### نحوه تثبیت کردن تسمه حمل و نقل (متعلقات) (رجوع کنید به تصویر E)

◀ تسمه حمل فقط برای حمل و تثبیت جاروبرقی مناسب است!

قلاب های کارابین تسمه حمل و نقل (29) را در حلقه های اتصال (9) جاروبرقی جا بیندازید.

### نحوه نصب چرخ های متحرک (متعلقات) (رجوع کنید به تصویر F)

بین های اتصال 4 چرخ های متحرک (30) را در نگهدارنده های چرخ های متحرک (31) وارد کنید تا بطور محسوس جا بیفتند.

همچنین می توان چرخ های متحرک دیگری را طبق استاندارد EN 12529 (بین اتصال با قطر 11 mm) بکار برد.

◀ قبل از استفاده از دستگاه مکنده، عملکرد ترمز چرخ ها را بررسی کنید.

### طرز کار با دستگاه

◀ قبل از تمیز کردن، انجام تنظیمات، تعویض متعلقات یا کنار گذاشتن جاروبرقی، باتری را جدا کنید. رعایت این اقدامات پیشگیری ایمنی از راه افتادن ناخواسته جاروبرقی جلوگیری می کند. ◀ جهت جلوگیری از سکنندگی خوردن به تمیزی و مرتب بودن محل کار دقت کنید.

### راه اندازی و نحوه کاربرد دستگاه

◀ دستگاه را نباید بدون فیلتر بکار برد.

◀ تنها از فیلترهای سالم (بدون ترک، سوراخ و غیره) استفاده کنید. فیلتر آسیب دیده را فوراً عوض نمایید.

◀ قبل از انجام کار با جاروبرقی از نصب محکم واحد فیلتر مطمئن شوید.

◀ قبل از کار از بسته بودن درپوش محفظه باتری مطمئن شوید.

- هر قسمت از جاروبرقی را که نمی توان به طور مطلوب تمیز کرد را در کیسه های غیرقابل نفوذ دور بریزید. مقررات معتبر مربوطه را برای دفع این گونه زباله ها رعایت کنید.
- محدوده سرویس و نگهداری را پس از اتمام کار، تمیز کنید.

#### محفظه را تمیز کنید

##### (رجوع کنید به تصاویر H1-H2)

- محفظه ی گرد و غبار (1) را پس از هر بار استفاده، تمیز کنید تا توان بهینه جاروبرقی به دست آید.
- درپها (2) را باز کنید و قسمت بالایی مکنده (5) را بردارید.
- محفظه ی گرد و غبار (1) را روی لبه ی یک سطل زباله ی مناسب بتکانید.
- در صورت لزوم محفظه را با یک پارچه ی مرطوب تمیز کنید.
- در صورت نیاز، فیلتر را تمیز کنید (رجوع کنید به «تمیز کردن/تعویض فیلتر» (صفحه 84) رجوع کنید)
- قسمت بالایی مکنده (5) را دوباره باز کنید و درپها (2) را ببندید.

#### تمیز کردن/تعویض فیلتر

##### (رجوع کنید به تصویر 11-12)

- توان مکش به وضعیت فیلتر بستگی دارد. از اینرو فیلتر را مرتب تمیز کنید.
- فیلتر آسیب دیده را سریع تعویض کنید.
- درپها (2) را باز کنید و قسمت بالایی مکنده (5) را بردارید.
- فیلتر (33) را تا انتها در جهت چرخش 6 بچرخانید و آن را از نگهدارنده فیلتر (35) بردارید.
- فیلتر خشک:
- فیلتر (33) را روی لبه یک سطل مناسب بتکانید. در این حین مواظب باشید که پره های فیلتر آسیب نبینند.
- جهت بدست آمدن حداکثر توان مکش، پره های فیلتر را با یک بُرس نرم تمیز کنید.
- فیلتر تر:
- فیلتر (33) را زیر آب شیر بشویید و بعد آن را خوب خشک کنید.
- فیلتر (33) آسیبدیده را تعویض کنید.
- فیلتر (33) را روی نگهدارنده فیلتر (35) قرار دهید و آن را تا انتها در جهت چرخش 6 بچرخانید.
- قسمت بالایی جاروبرقی (5) را دوباره باز کنید و درپها (2) را ببندید.
- از بسته شدن درپوشها اطمینان حاصل کنید.

#### اشکالات

- در صورت کافی نبودن قدرت مکش کنترل کنید که:
  - محفظه (1) پُر است؟
  - (رجوع کنید به «محفظه را تمیز کنید» (رجوع کنید به تصاویر H1-H2)، صفحه 84).

- فیلتر (33) را تمیز کنید و آن را دوباره در جاروبرقی (رجوع کنید به «تمیز کردن/تعویض فیلتر» (رجوع کنید به تصویر 11-12)، صفحه 84) قرار دهید.

جاروبرقی به یک شناور (34) مجهز است. در صورت پر شدن به میزان حداکثر، جاروبرقی متوقف می شود.

#### پس از هر بار مکش تر

- محفظه (1) را خالی کنید.

- آب را از فیلتر (33) خالی کنید.

#### پس از مکش تر جهت جلوگیری از تشکیل قارچ

- قسمت بالایی جارو برقی (5) را بردارید و بگذارید خوب خشک شود.
- فیلتر (33) را بیرون بیاورید و بگذارید خوب خشک شود. (رجوع کنید به «تمیز کردن/تعویض فیلتر» (رجوع کنید به تصویر 11-12)، صفحه 84).

## مراقبت و سرویس

### مراقبت، تعمیر و تمیز کردن دستگاه

◀ قبل از تمیز کردن، انجام تنظیمات، تعویض متعلقات یا کنار گذاشتن جاروبرقی، باتری را جدا کنید. رعایت این اقدامات پیشگیری ایمنی از راه افتادن ناخواسته جاروبرقی جلوگیری می کند.

#### ◀ جاروبرقی و درپچه ی تهویه را برای کارایی خوب و امن تمیز نگهدارید.

#### ◀ هنگام تمیز کردن و سرویس مکنده از یک ماسک تنفسی استفاده کنید.

بدنه جاروبرقی را گاه به گاه با یک دستمال مرطوب تمیز کنید.

کنتاکت های شارژ آلوده شده را توسط یک دستمال خشک تمیز کنید.

#### ◀ جاروبرقی را با هوای فشرده تمیز نکنید.

ممکن است به فیلتر یا سایر قطعات آسیب برسد. حداقل سالی یک بار، بازرسی فنی مربوط به گرد و غبار جاروبرقی باید توسط سازنده یا یک فرد آموزش دیده انجام شود (برای مثال فیلتر را از نظر آسیب دیدگی، مکنده را از نظر نشنی و تجهیزات کنترل را برای عملکرد مناسب بررسی کنید).

#### نظافت و سرویس و نگهداری پس از مکش موادی که برای سلامتی مضر هستند

- تمام قسمت هایی را که ممکن است با مواد خطرناک تماس داشته باشند را آلوده در نظر بگیرید.
- قبل از اینکه جاروبرقی را از منطقه خطر خارج کنید، قسمت بیرونی جاروبرقی را جارو بکشید، پاک کنید یا محکم کنید.
- جاروبرقی را فقط در صورتیکه خطری برای شما و سایر افراد نداشته باشد، تمیز، باز و نگهداری و سرویس کنید. هنگام سرویس و نگهداری از تجهیزات ایمنی شخصی استفاده کنید. کار را در اتاقی با تهویه مناسب انجام دهید.
- قبل از باز کردن جاروبرقی، ابتدا قسمت بیرونی آن را تمیز کنید.

باتریها را فقط در صورتی ارسال کنید که بدنه آنها آسیب ندیده باشد. اتصالات (کنتاکتهای) باز را بپوشانید و باتری را طوری بسته بندی کنید که در بسته بندی تکان نخورد. در این باره لطفاً به مقررات و آیین نامه های ملی توجه کنید.

### از رده خارج کردن

چاروبرقی، باتری های قابل شارژ، متعلقات و بسته بندی ها باید به روش سازگار با محیط زیست بازیافت شوند.



چاروبرقی و باتری های قابل شارژ/باتری ها را درون سطل زباله خانگی نیندازید!



### باتری ها/باتری های قابل شارژ:

#### لیتیوم-یونی:

لطفاً به تذکرات بخش حمل و نقل توجه کنید (رجوع کنید به «حمل و نقل»، صفحه 85).

- فیلتر (33) گرد و غبار گرفته است؟  
< رجوع کنید به «تمیز کردن/تعویض فیلتر (رجوع کنید به تصویر 11-12)»، صفحه 84.
- مقدار شارژ باتری بسیار کم است؟  
< باتری را شارژ کنید.
- تخلیه مرتب محفظه (1) و تمیز کردن فیلتر (33) مکش بهینه را تضمین می کند.
- چنانچه بعد از انجام این کار، قدرت مکش به حد لازم نرسید، به مرکز خدمات مشتریان Bosch مراجعه کنید.

### نگهداری (رجوع شود به تصویر L)

- لوله های مکش (18) را در نگهدارنده ها (25) وارد کنید.
- نازل دوکی (16) را در لوله مکش (18) وارد کنید.
- نازل کف (17) را در نگهدارنده (27) وارد کنید.
- شیلنگ مکش (13) را از پایین دور نگهدارنده (27) کلاف کنید و بست نگهدارنده (36) را ببندید.
- دستگاه مکنده را فقط از قسمت دسته (6) یا تسمه حمل و نقل (در صورت موجود بودن) حمل کنید.
- دستگاه مکنده را در یک اتاق خشک قرار دهید و آن را در برابر کاربری غیر مجاز محافظت کنید.

### خدمات و مشاوره با مشتریان

خدمات مشتری، به سؤالات شما درباره تعمیرات، سرویس و همچنین قطعات یدکی پاسخ خواهد داد. نقشه های سه بعدی و اطلاعات مربوط به قطعات یدکی را در تارنمای زیر میابید:

[www.bosch-pt.com](http://www.bosch-pt.com)

گروه مشاوره به مشتریان Bosch با کمال میل به سؤالات شما درباره محصولات و متعلقات پاسخ می دهند.

برای هرگونه سؤال و یا سفارش قطعات یدکی، حتماً شماره فنی 10 رقمی کالا را مطابق برجسب روی ابزار برقی اطلاع دهید.

### ایران

روبرت بوش ایران - شرکت بوش تجارت پارس میدان ونک، خیابان شهید خدای، خیابان آفتاب ساختمان مادران، شماره 3، طبقه سوم.

تهران 1994834571

تلفن: 42039000+9821

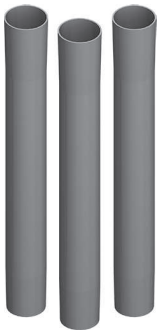
آدرس سایر دفاتر خدماتی را در ادامه بیابید:

[www.bosch-pt.com/serviceaddresses](http://www.bosch-pt.com/serviceaddresses)

### حمل دستگاه

باتری های لیتیوم یونی توصیه شده، مشمول الزامات قانون کالاهای خطرناک هستند. کاربر می تواند باتری ها را بدون استفاده از روکش در خیابان حمل کند.

در صورت ارسال توسط شخص ثالث (مانند: حمل و نقل هوایی یا زمینی) باید تمهیدات مربوط به بسته بندی و علامت گذاری مورد توجه قرار گیرد. در اینصورت باید حتماً جهت آماده سازی قطعه ارسالی به کارشناس حمل کالاهای پر خطر مراجعه کرد.



2 608 000 660



1 600 A01 U4W



1 600 A01 T49



2 608 000 585



2 608 000 659



2 608 000 661



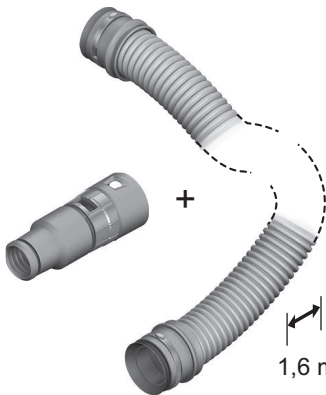
2 608 000 707



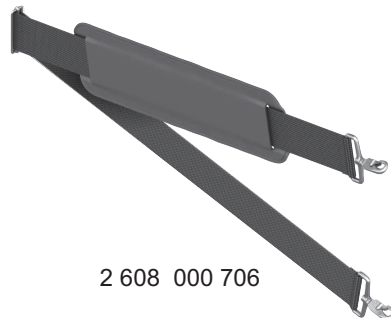
2 608 000 662



2 608 000 663



1,6 m  $\varnothing$  35 mm  
2 608 000 658



2 608 000 706