



GCM 254 D Professional

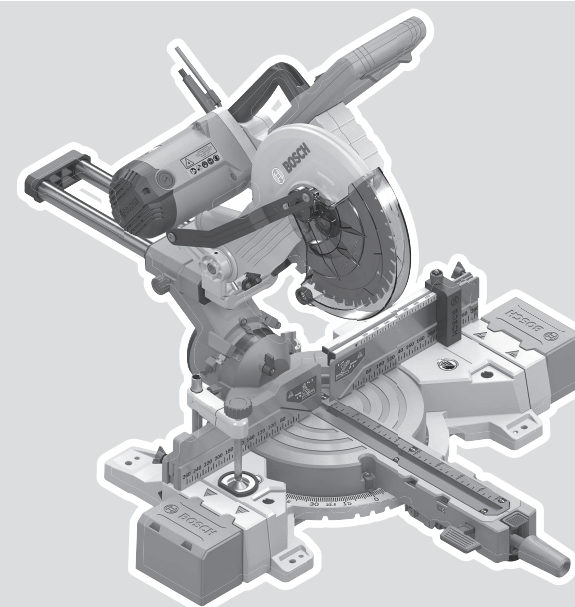
Robert Bosch Power Tools GmbH
70538 Stuttgart
GERMANY

www.bosch-pt.com

1 609 92A 9G5 (2024.01) PS / 136



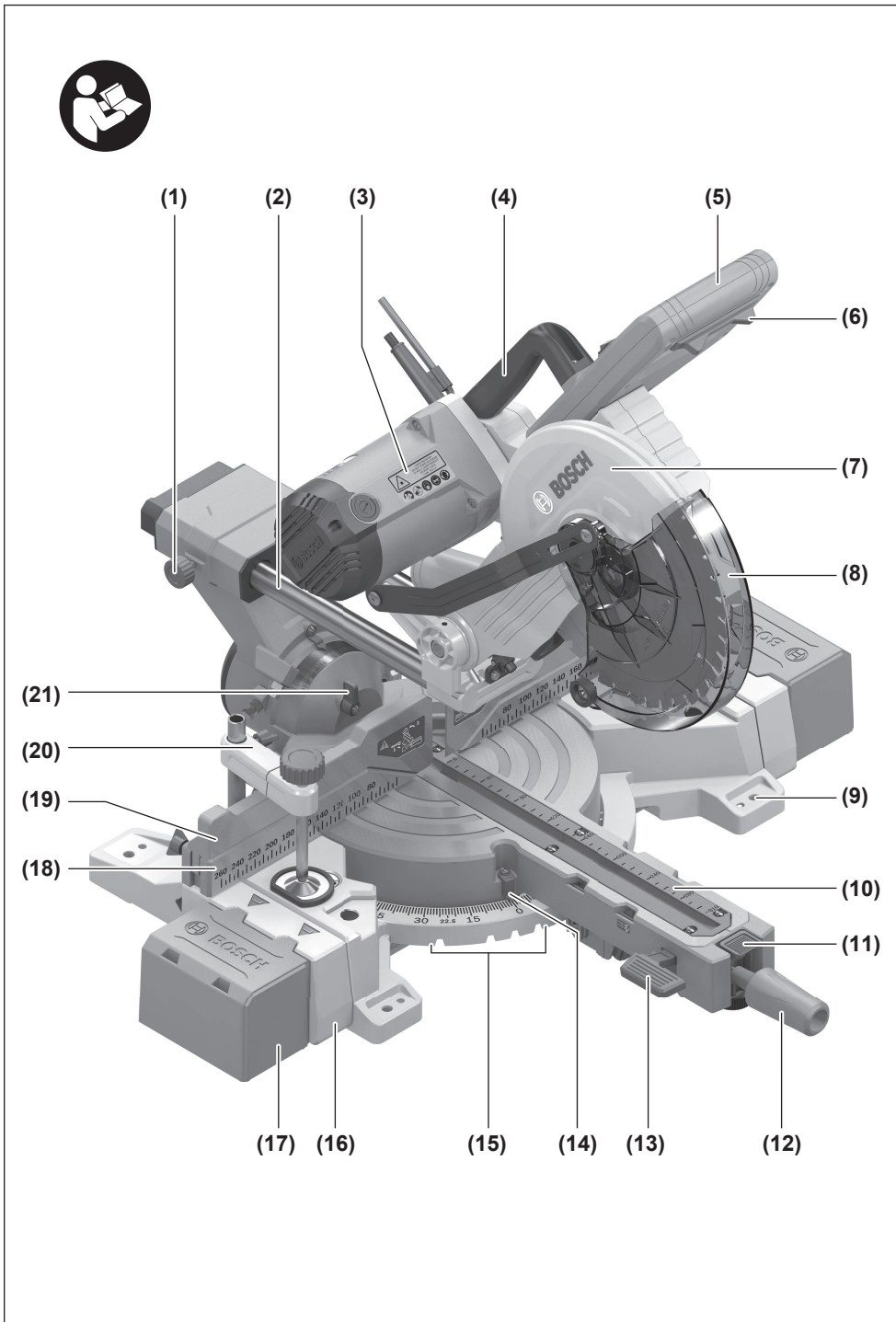
1 609 92A 9G5

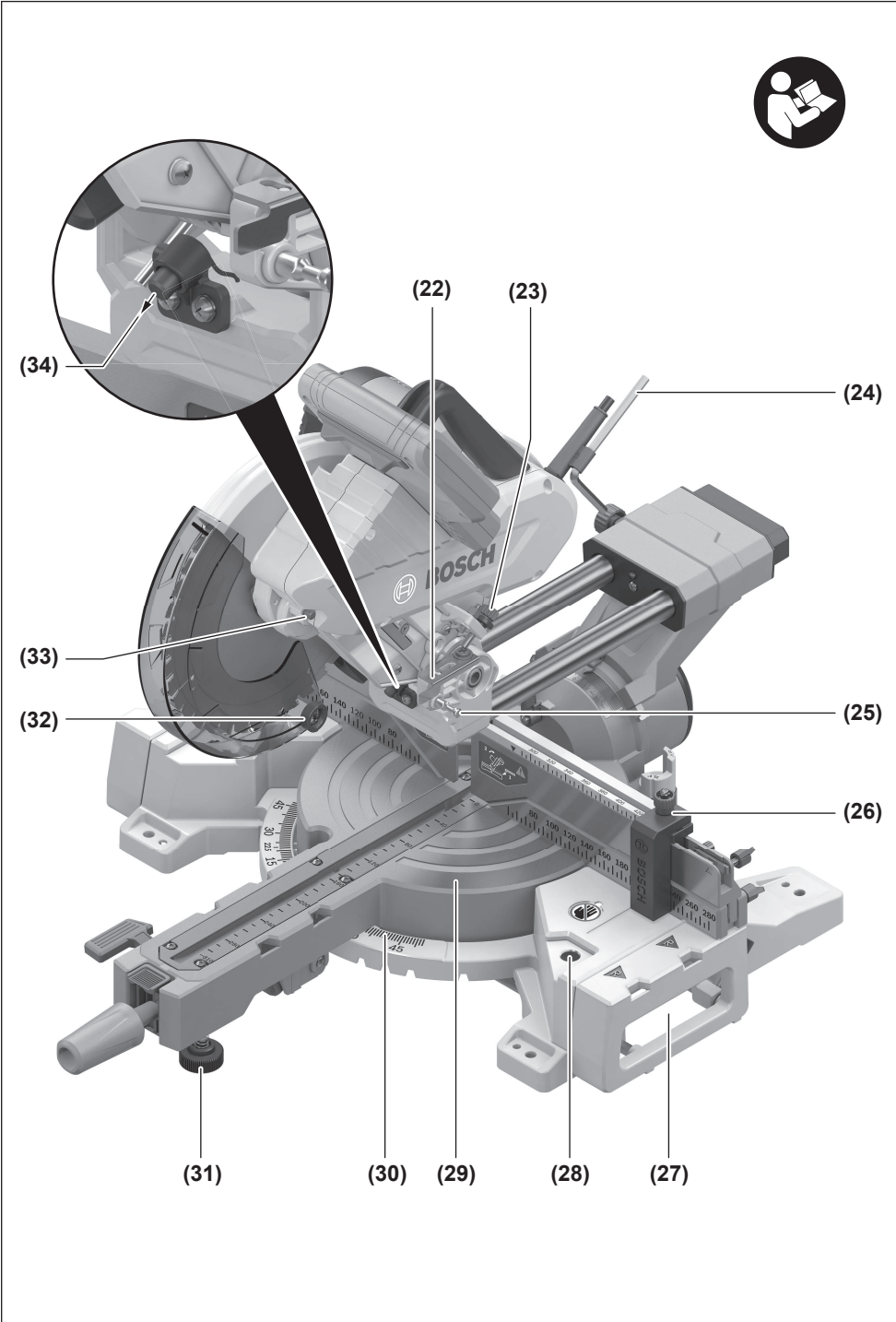


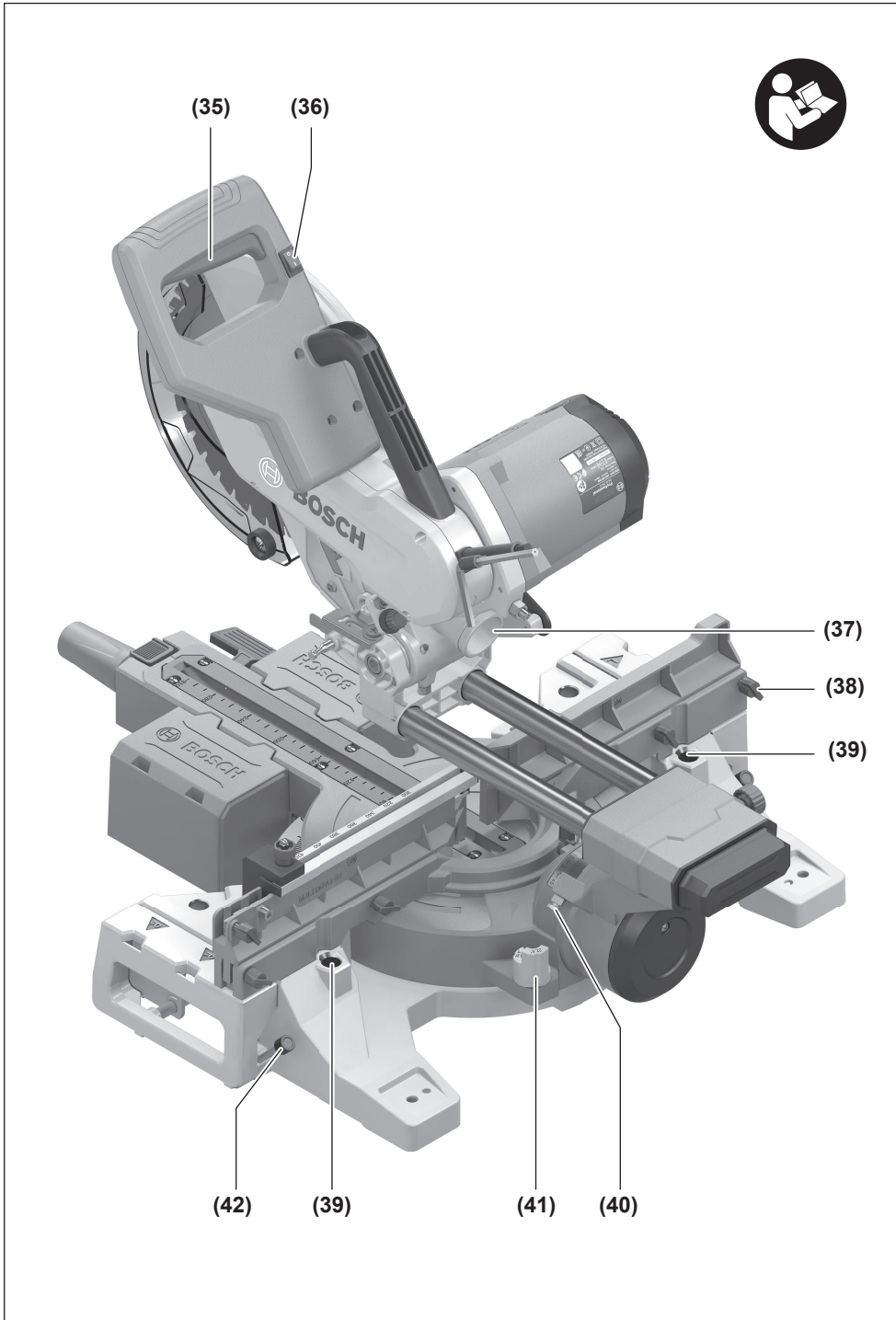
- en Original instructions
- fr Notice originale
- pt Manual original
- zh 正本使用说明书
- zh 原始使用說明書
- th หนังสือคู่มือการใช้งานฉบับต้นแบบ
- id Petunjuk-Petunjuk untuk Penggunaan Orisinal
- vi Bản gốc hướng dẫn sử dụng
- ar دليل التشغيل الأصلي
- fa دفترچه راهنمای اصلی

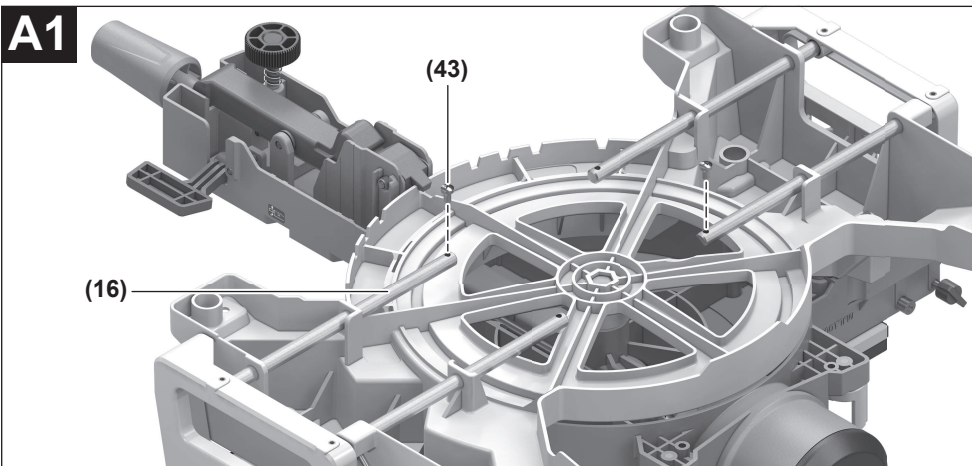
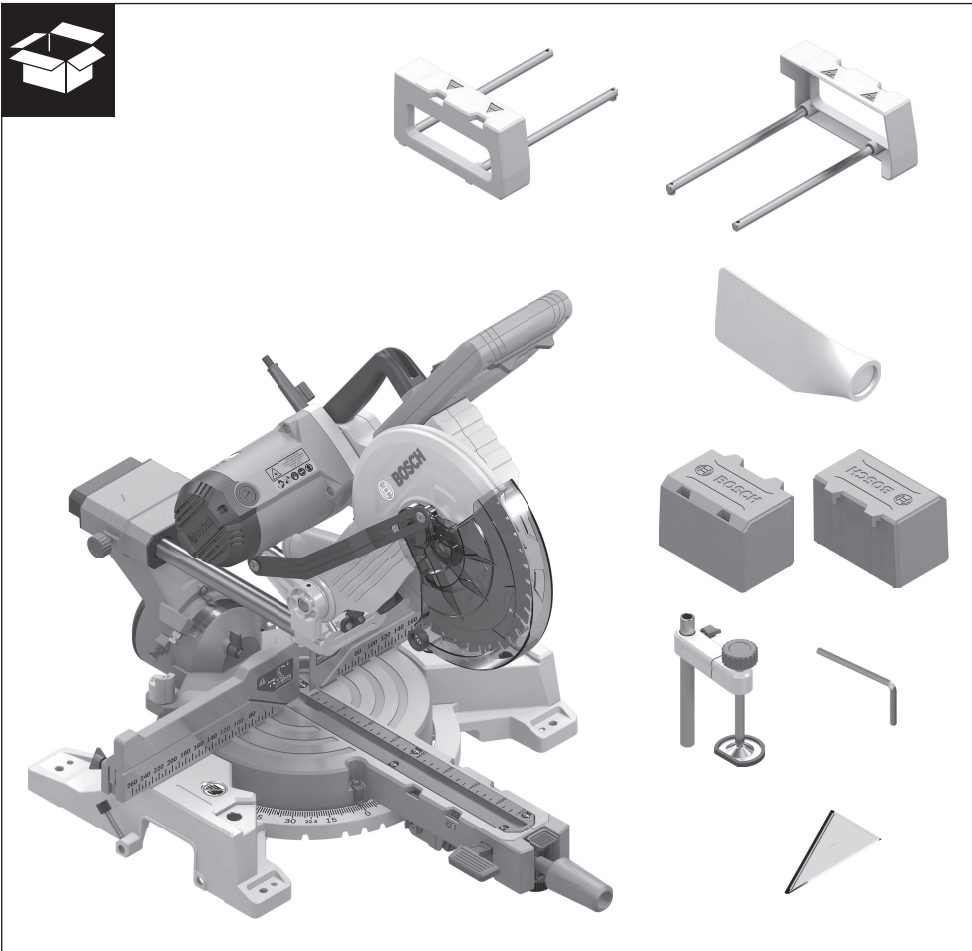


English	Page	16
Français	Page	27
Português	Página	40
中文	頁	53
繁體中文	頁	63
ไทย	หน้า	72
Bahasa Indonesia	Halaman	84
Tiếng Việt	Trang	97
عربي	الصفحة	110
فارسی	صفحه	123

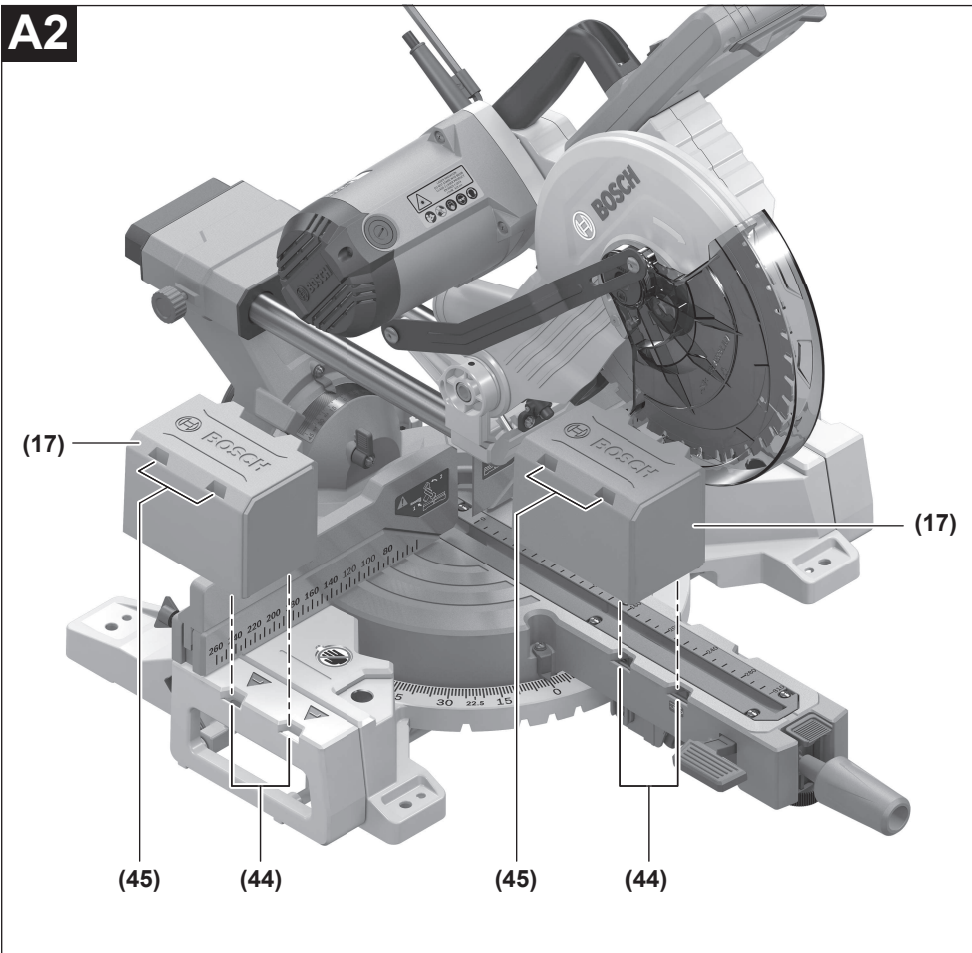




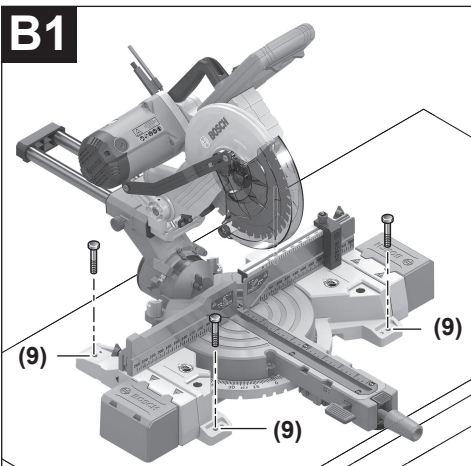




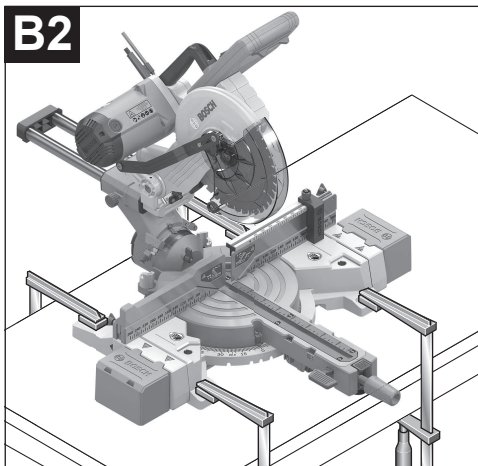
A2

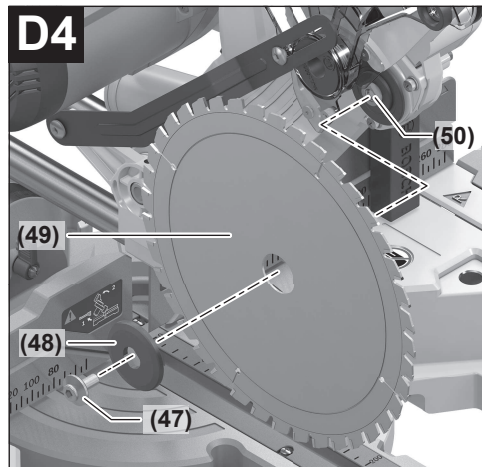
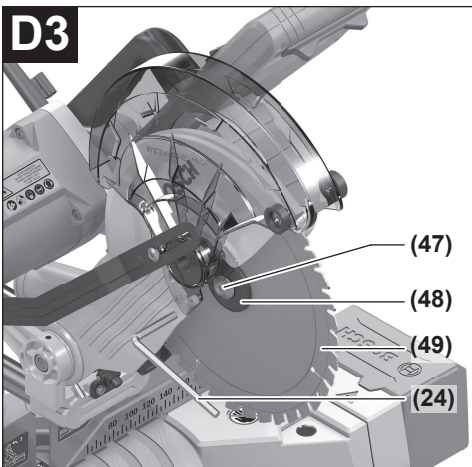
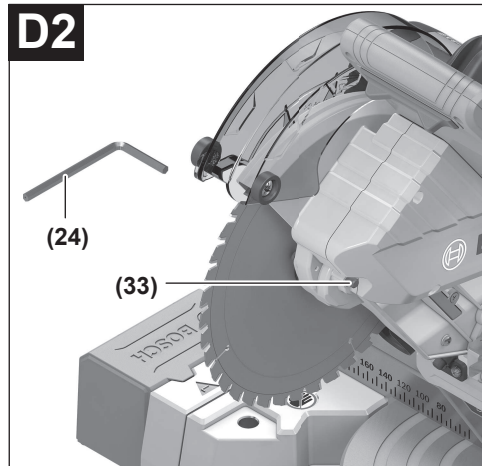
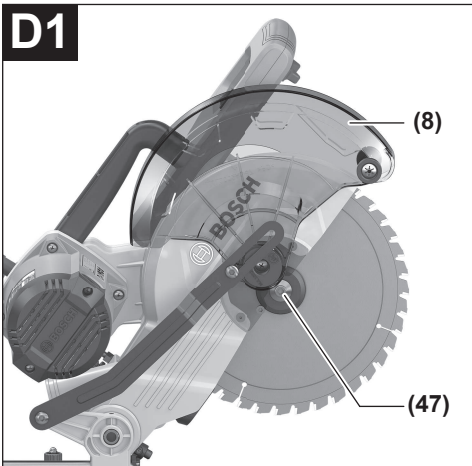
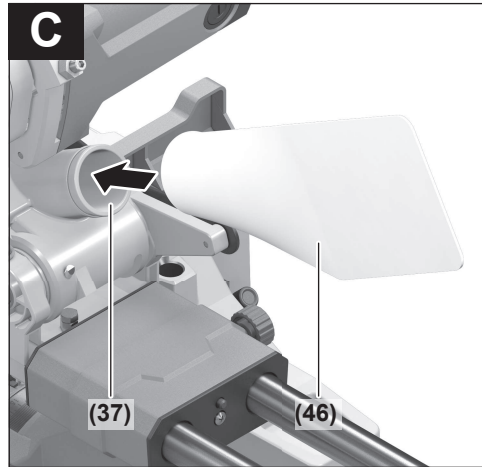
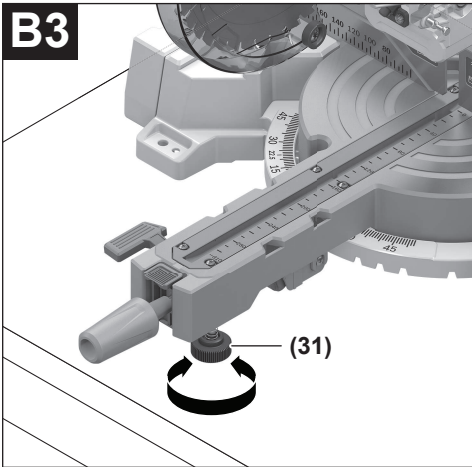


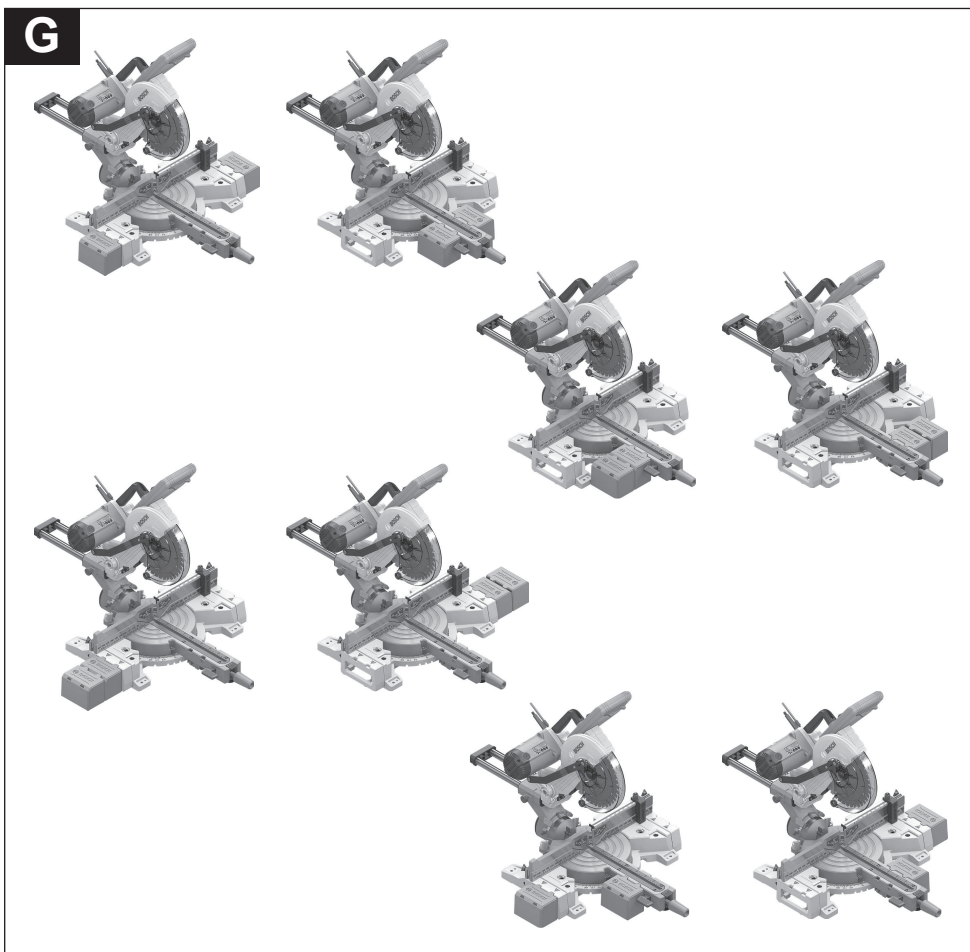
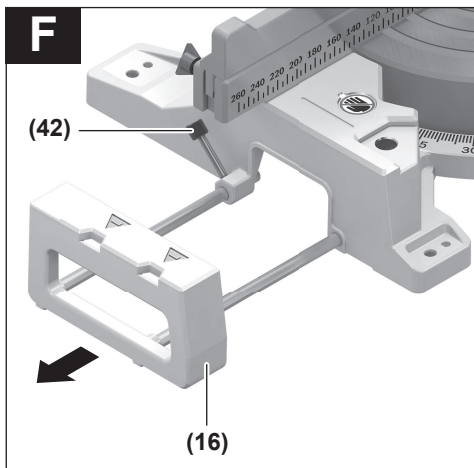
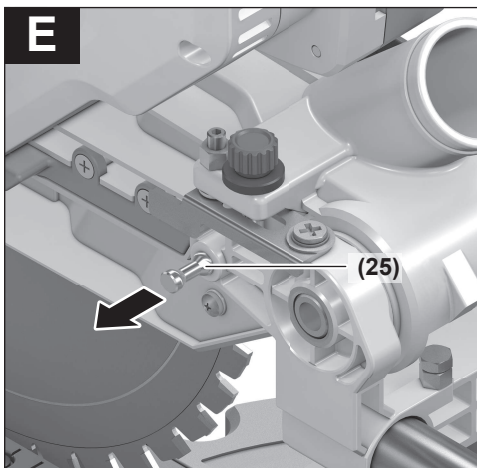
B1

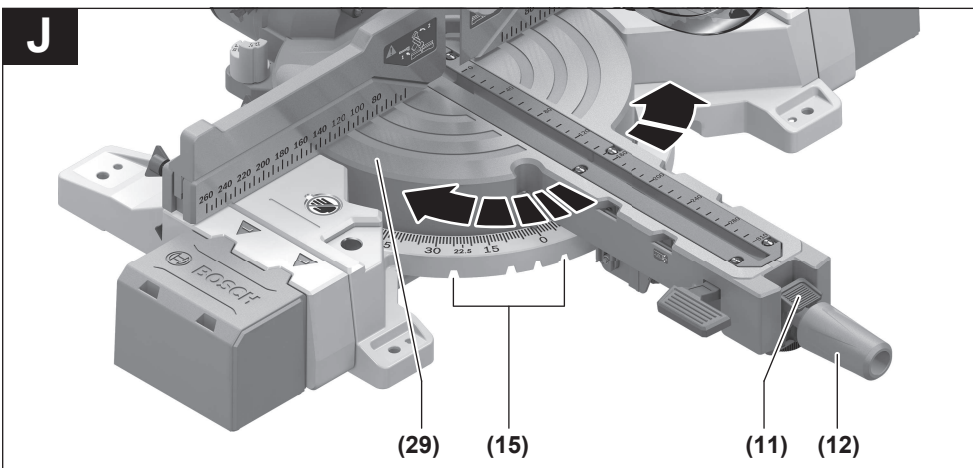
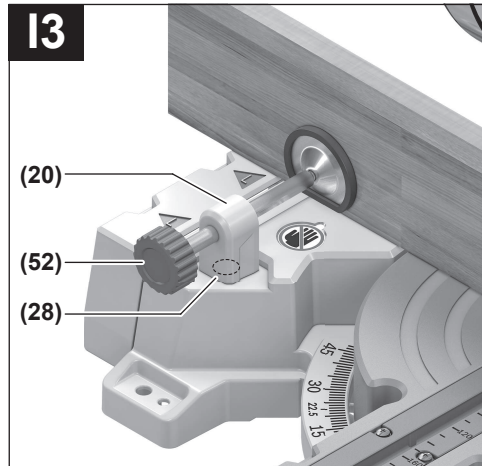
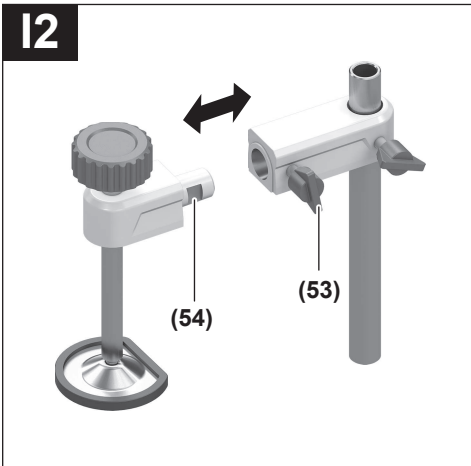
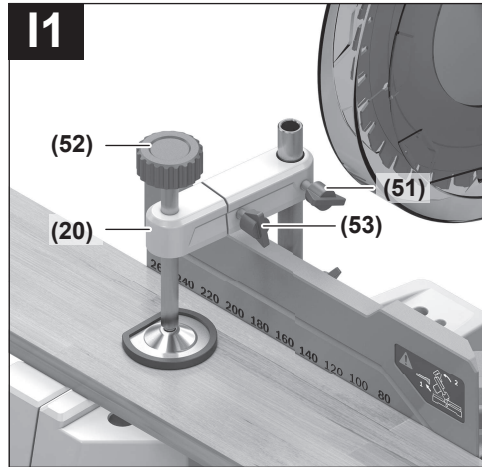
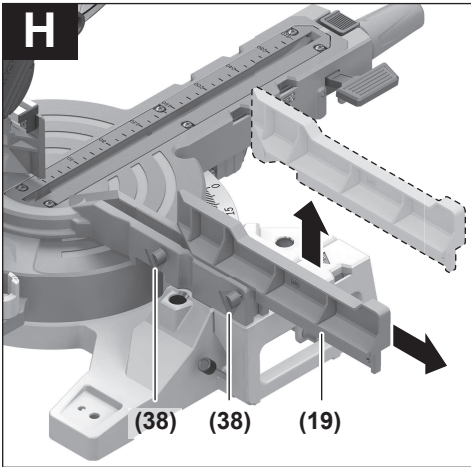


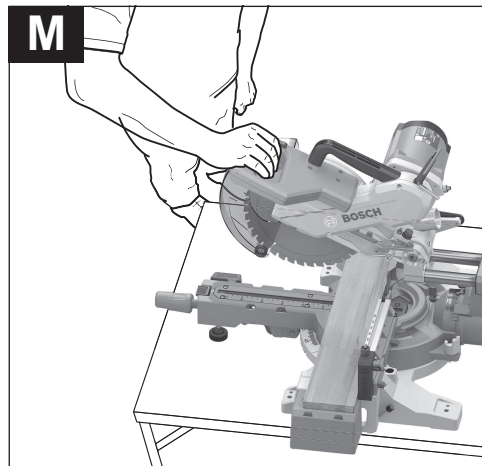
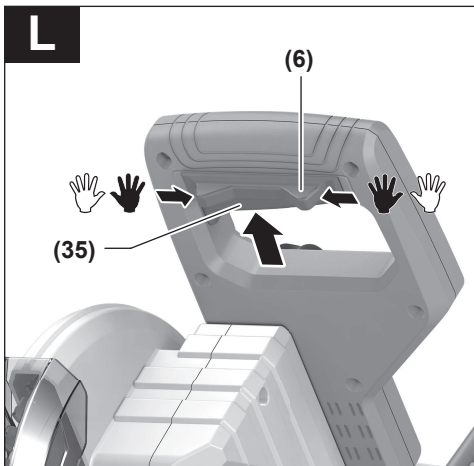
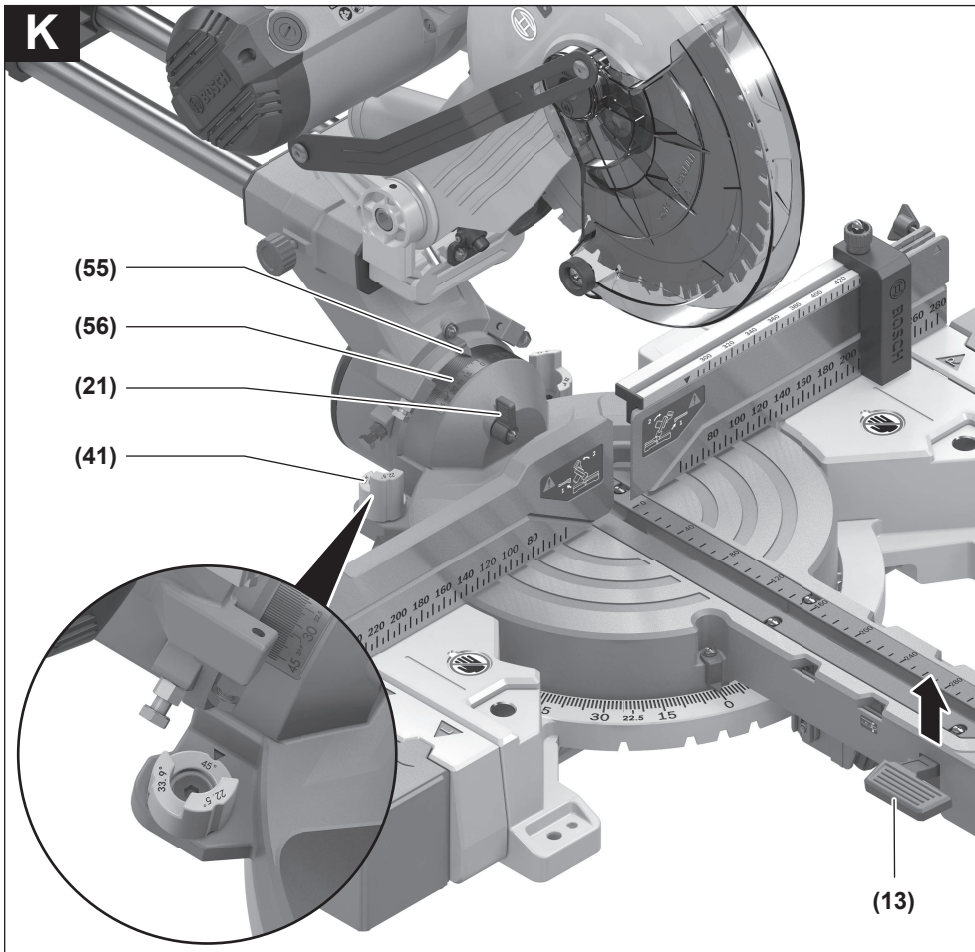
B2

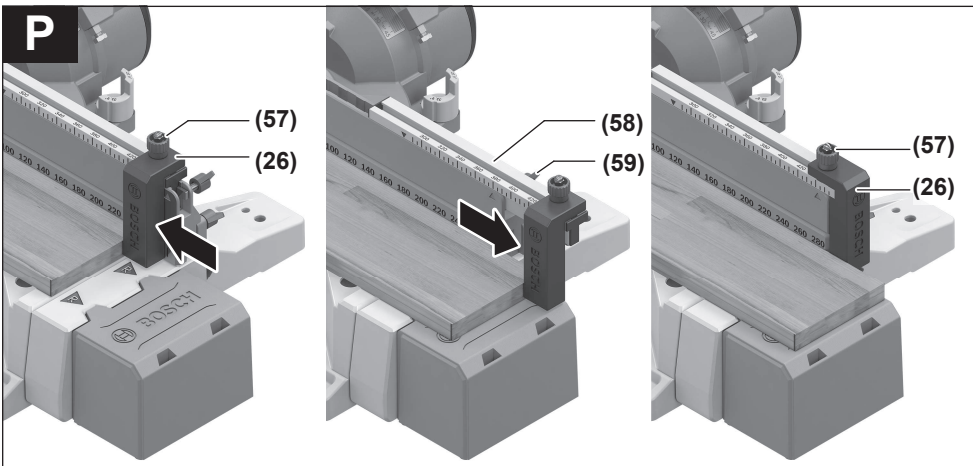
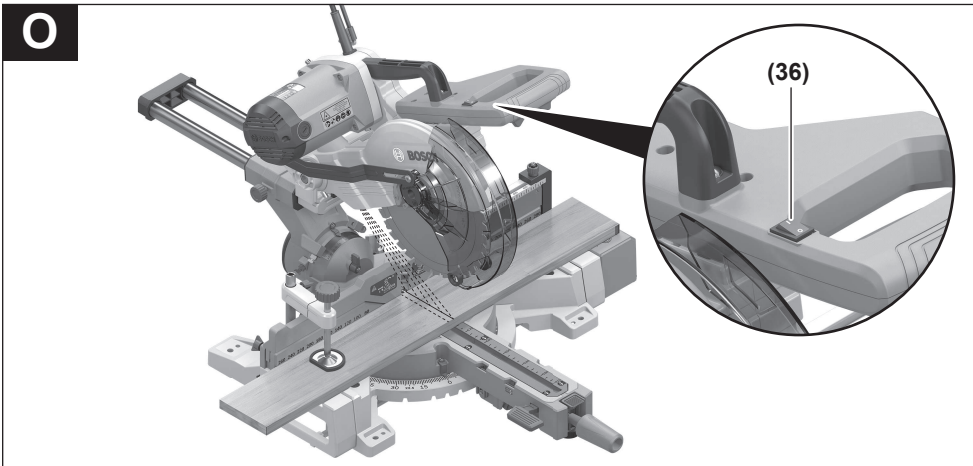
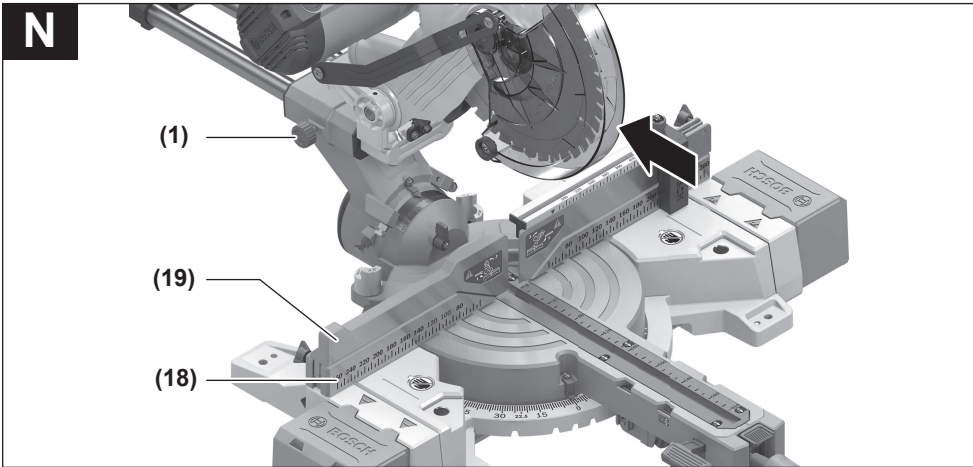


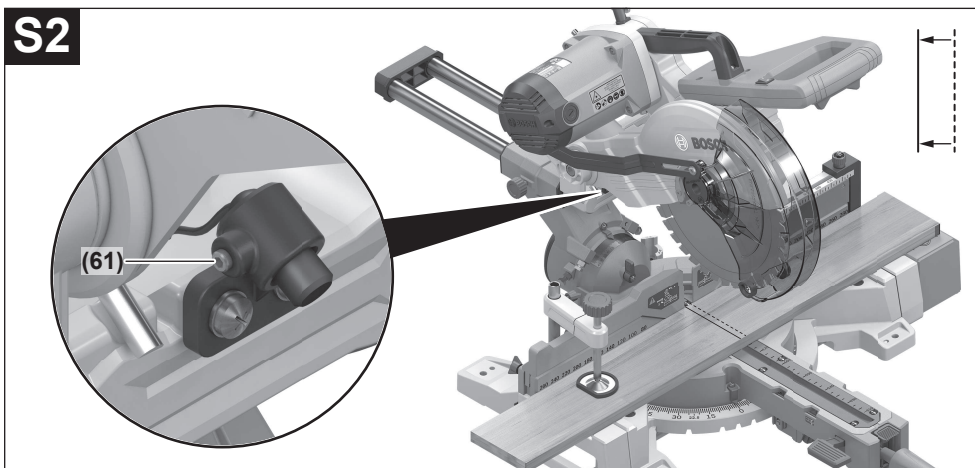
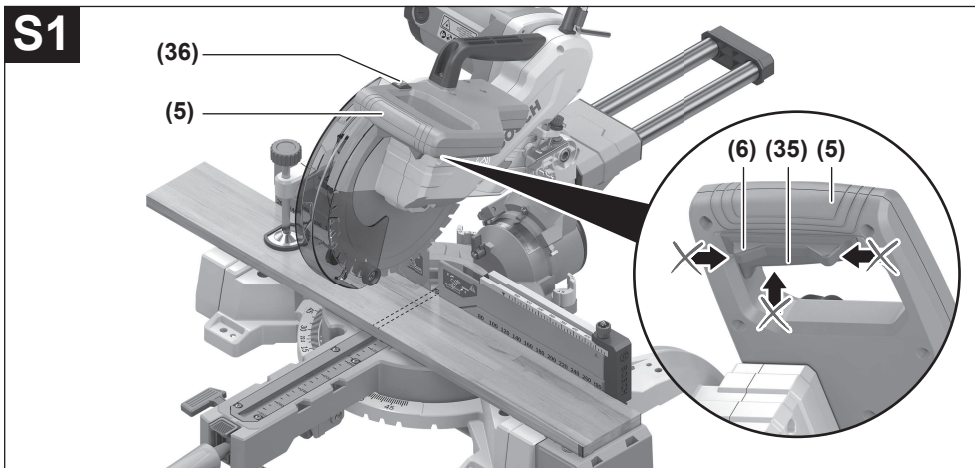
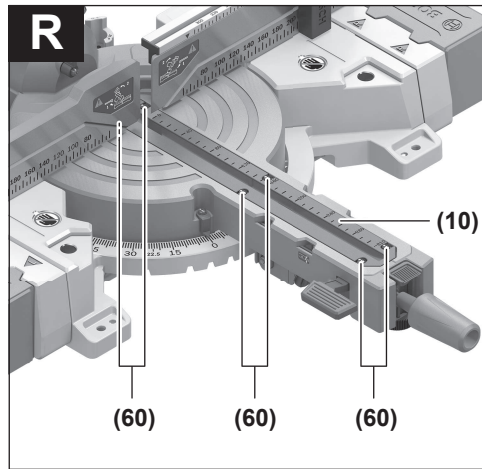
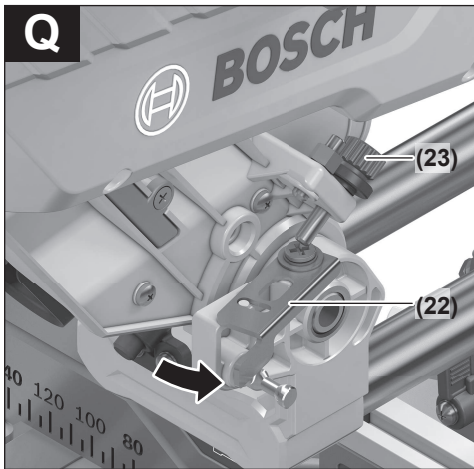


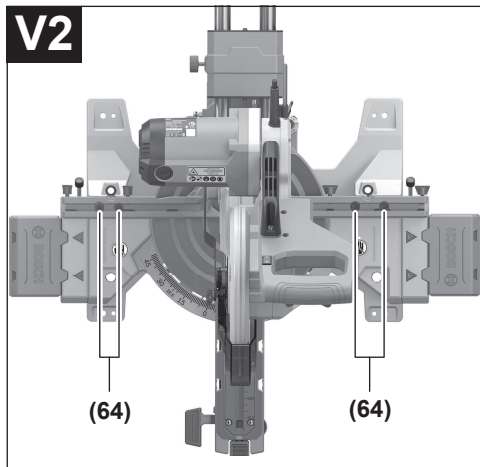
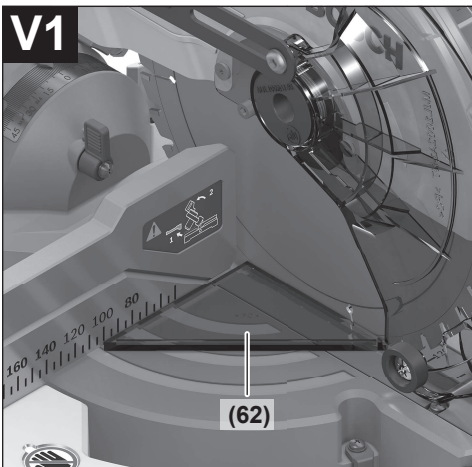
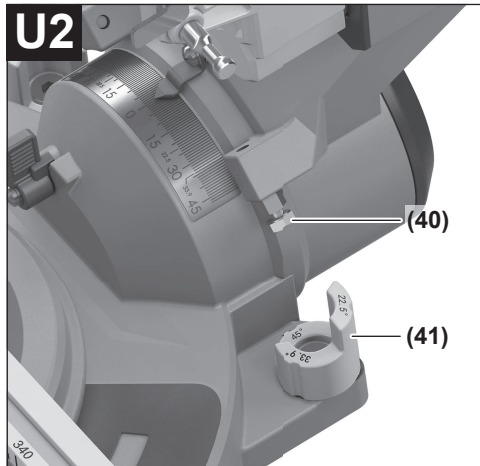
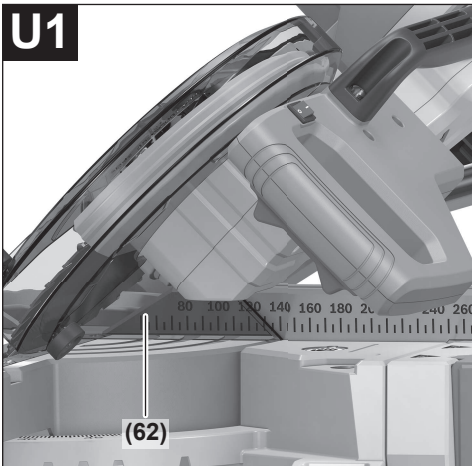
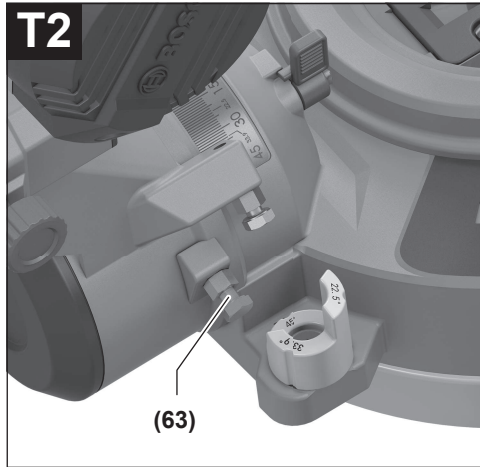
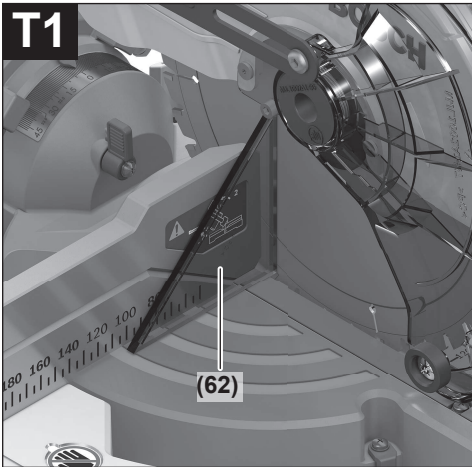


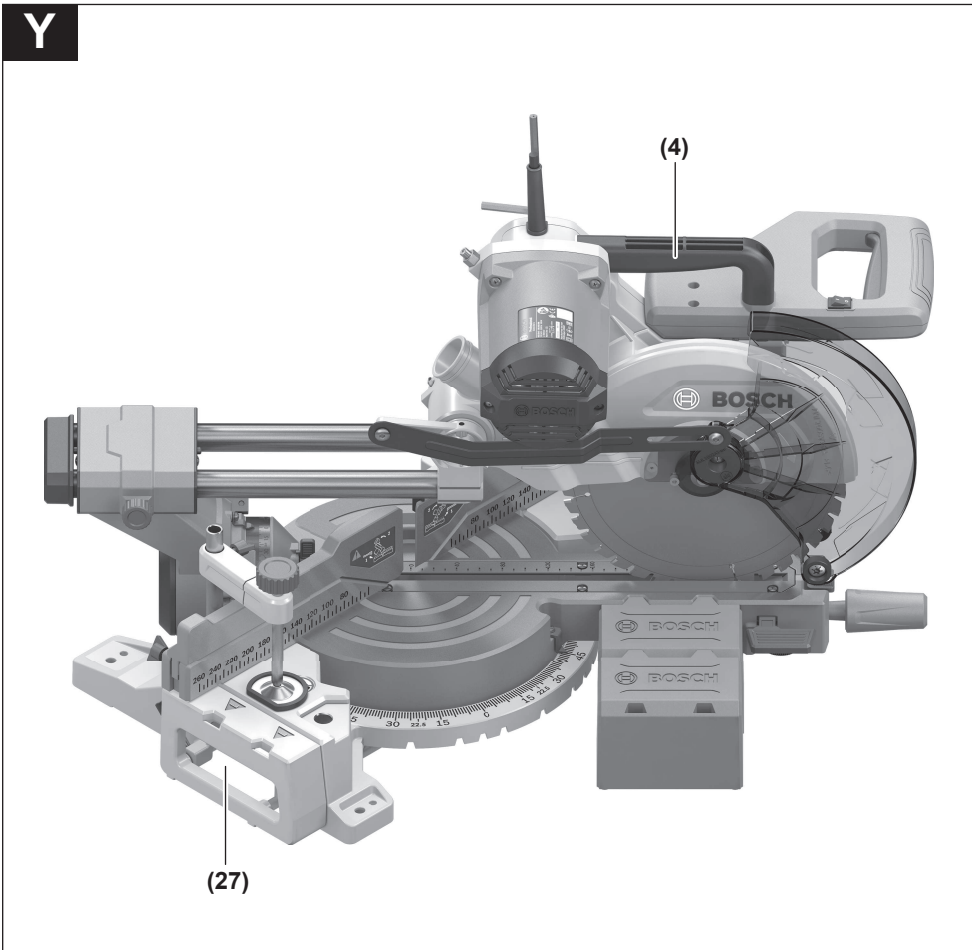
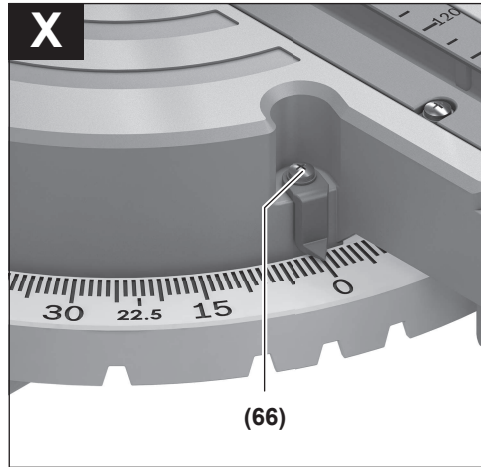
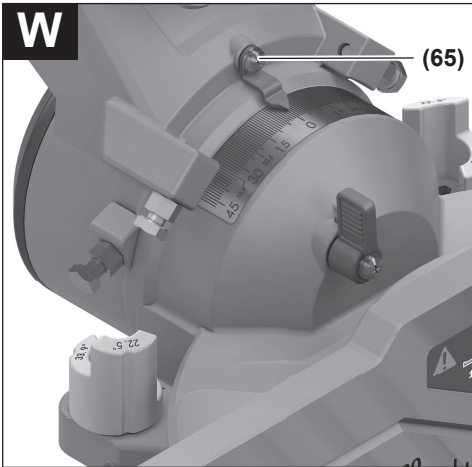












English

Safety instructions

General Power Tool Safety Warnings

⚠ WARNING Read all safety warnings, instructions, illustrations and specifications provided with this power tool. Failure to follow all instructions listed below may result in electric shock, fire and/or serious injury.

Save all warnings and instructions for future reference.

The term "power tool" in the warnings refers to your mains-operated (corded) power tool or battery-operated (cordless) power tool.

Work area safety

- ▶ **Keep work area clean and well lit.** Cluttered or dark areas invite accidents.
- ▶ **Do not operate power tools in explosive atmospheres, such as in the presence of flammable liquids, gases or dust.** Power tools create sparks which may ignite the dust or fumes.
- ▶ **Keep children and bystanders away while operating a power tool.** Distractions can cause you to lose control.

Electrical safety

- ▶ **Power tool plugs must match the outlet. Never modify the plug in any way. Do not use any adapter plugs with earthed (grounded) power tools.** Unmodified plugs and matching outlets will reduce risk of electric shock.
- ▶ **Avoid body contact with earthed or grounded surfaces, such as pipes, radiators, ranges and refrigerators.** There is an increased risk of electric shock if your body is earthed or grounded.
- ▶ **Do not expose power tools to rain or wet conditions.** Water entering a power tool will increase the risk of electric shock.
- ▶ **Do not abuse the cord. Never use the cord for carrying, pulling or unplugging the power tool. Keep cord away from heat, oil, sharp edges or moving parts.** Damaged or entangled cords increase the risk of electric shock.
- ▶ **When operating a power tool outdoors, use an extension cord suitable for outdoor use.** Use of a cord suitable for outdoor use reduces the risk of electric shock.
- ▶ **If operating a power tool in a damp location is unavoidable, use a residual current device (RCD) protected supply.** Use of an RCD reduces the risk of electric shock.

Personal safety

- ▶ **Stay alert, watch what you are doing and use common sense when operating a power tool. Do not use a power tool while you are tired or under the influence of drugs, alcohol or medication.** A moment of inatten-

tion while operating power tools may result in serious personal injury.

- ▶ **Use personal protective equipment. Always wear eye protection.** Protective equipment such as a dust mask, non-skid safety shoes, hard hat or hearing protection used for appropriate conditions will reduce personal injuries.
- ▶ **Prevent unintentional starting. Ensure the switch is in the off-position before connecting to power source and/or battery pack, picking up or carrying the tool.** Carrying power tools with your finger on the switch or energising power tools that have the switch on invites accidents.
- ▶ **Remove any adjusting key or wrench before turning the power tool on.** A wrench or a key left attached to a rotating part of the power tool may result in personal injury.
- ▶ **Do not overreach. Keep proper footing and balance at all times.** This enables better control of the power tool in unexpected situations.
- ▶ **Dress properly. Do not wear loose clothing or jewellery. Keep your hair and clothing away from moving parts.** Loose clothes, jewellery or long hair can be caught in moving parts.
- ▶ **If devices are provided for the connection of dust extraction and collection facilities, ensure these are connected and properly used.** Use of dust collection can reduce dust-related hazards.
- ▶ **Do not let familiarity gained from frequent use of tools allow you to become complacent and ignore tool safety principles.** A careless action can cause severe injury within a fraction of a second.

Power tool use and care

- ▶ **Do not force the power tool. Use the correct power tool for your application.** The correct power tool will do the job better and safer at the rate for which it was designed.
- ▶ **Do not use the power tool if the switch does not turn it on and off.** Any power tool that cannot be controlled with the switch is dangerous and must be repaired.
- ▶ **Disconnect the plug from the power source and/or remove the battery pack, if detachable, from the power tool before making any adjustments, changing accessories, or storing power tools.** Such preventive safety measures reduce the risk of starting the power tool accidentally.
- ▶ **Store idle power tools out of the reach of children and do not allow persons unfamiliar with the power tool or these instructions to operate the power tool.** Power tools are dangerous in the hands of untrained users.
- ▶ **Maintain power tools and accessories. Check for misalignment or binding of moving parts, breakage of parts and any other condition that may affect the power tool's operation. If damaged, have the power tool repaired before use.** Many accidents are caused by poorly maintained power tools.

- ▶ **Keep cutting tools sharp and clean.** Properly maintained cutting tools with sharp cutting edges are less likely to bind and are easier to control.
- ▶ **Use the power tool, accessories and tool bits etc. in accordance with these instructions, taking into account the working conditions and the work to be performed.** Use of the power tool for operations different from those intended could result in a hazardous situation.
- ▶ **Keep handles and grasping surfaces dry, clean and free from oil and grease.** Slippery handles and grasping surfaces do not allow for safe handling and control of the tool in unexpected situations.

Service

- ▶ **Have your power tool serviced by a qualified repair person using only identical replacement parts.** This will ensure that the safety of the power tool is maintained.

Safety Warnings for Mitre Saws

- ▶ **Mitre saws are intended to cut wood or wood-like products, they cannot be used with abrasive cut-off wheels for cutting ferrous material such as bars, rods, studs, etc.** Abrasive dust causes moving parts such as the lower guard to jam. Sparks from abrasive cutting will burn the lower guard, the kerf insert and other plastic parts.
- ▶ **Use clamps to support the workpiece whenever possible. If supporting the workpiece by hand, you must always keep your hand at least 100 mm from either side of the saw blade. Do not use this saw to cut pieces that are too small to be securely clamped or held by hand.** If your hand is placed too close to the saw blade, there is an increased risk of injury from blade contact.
- ▶ **The workpiece must be stationary and clamped or held against both the fence and the table. Do not feed the workpiece into the blade or cut "freehand" in any way.** Unrestrained or moving workpieces could be thrown at high speeds, causing injury.
- ▶ **Push the saw through the workpiece. Do not pull the saw through the workpiece. To make a cut, raise the saw head and pull it out over the workpiece without cutting, start the motor, press the saw head down and push the saw through the workpiece.** Cutting on the pull stroke is likely to cause the saw blade to climb on top of the workpiece and violently throw the blade assembly towards the operator.
- ▶ **Never cross your hand over the intended line of cutting either in front or behind the saw blade.** Supporting the workpiece "cross handed" i.e. holding the workpiece to the right of the saw blade with your left hand or vice versa is very dangerous.
- ▶ **Do not reach behind the fence with either hand closer than 100 mm from either side of the saw blade, to remove wood scraps, or for any other reason while the blade is spinning.** The proximity of the spinning saw blade to your hand may not be obvious and you may be seriously injured.
- ▶ **Inspect your workpiece before cutting. If the workpiece is bowed or warped, clamp it with the outside bowed face toward the fence. Always make certain that there is no gap between the workpiece, fence and table along the line of the cut.** Bent or warped workpieces can twist or shift and may cause binding on the spinning saw blade while cutting. There should be no nails or foreign objects in the workpiece.
- ▶ **Do not use the saw until the table is clear of all tools, wood scraps, etc., except for the workpiece.** Small debris or loose pieces of wood or other objects that contact the revolving blade can be thrown with high speed.
- ▶ **Cut only one workpiece at a time.** Stacked multiple workpieces cannot be adequately clamped or braced and may bind on the blade or shift during cutting.
- ▶ **Ensure the mitre saw is mounted or placed on a level, firm work surface before use.** A level and firm work surface reduces the risk of the mitre saw becoming unstable.
- ▶ **Plan your work. Every time you change the bevel or mitre angle setting, make sure the adjustable fence is set correctly to support the workpiece and will not interfere with the blade or the guarding system.** Without turning the tool "ON" and with no workpiece on the table, move the saw blade through a complete simulated cut to assure there will be no interference or danger of cutting the fence.
- ▶ **Provide adequate support such as table extensions, saw horses, etc. for a workpiece that is wider or longer than the table top.** Workpieces longer or wider than the mitre saw table can tip if not securely supported. If the cut-off piece or workpiece tips, it can lift the lower guard or be thrown by the spinning blade.
- ▶ **Do not use another person as a substitute for a table extension or as additional support.** Unstable support for the workpiece can cause the blade to bind or the workpiece to shift during the cutting operation pulling you and the helper into the spinning blade.
- ▶ **The cut-off piece must not be jammed or pressed by any means against the spinning saw blade.** If confined, i.e. using length stops, the cut-off piece could get wedged against the blade and thrown violently.
- ▶ **Always use a clamp or a fixture designed to properly support round material such as rods or tubing.** Rods have a tendency to roll while being cut, causing the blade to "bite" and pull the work with your hand into the blade.
- ▶ **Let the blade reach full speed before contacting the workpiece.** This will reduce the risk of the workpiece being thrown.
- ▶ **If the workpiece or blade becomes jammed, turn the mitre saw off. Wait for all moving parts to stop and disconnect the plug from the power source and/or remove the battery pack. Then work to free the jammed material.** Continued sawing with a jammed workpiece could cause loss of control or damage to the mitre saw.
- ▶ **After finishing the cut, release the switch, hold the saw head down and wait for the blade to stop before**

removing the cut-off piece. Reaching with your hand near the coasting blade is dangerous.

- ▶ **Hold the handle firmly when making an incomplete cut or when releasing the switch before the saw head is completely in the down position.** The braking action of the saw may cause the saw head to be suddenly pulled downward, causing a risk of injury.
- ▶ **Do not let go of the handle once the saw head has reached the lowest position. Always guide the saw head back to the top position by hand.** There is a risk of injury if the saw head moves in an uncontrolled manner.
- ▶ **Keep your work area clean.** Material mixtures are particularly hazardous. Light metal dust may catch fire or explode.
- ▶ **Do not use dull, cracked, bent or damaged saw blades. Unsharpened or improperly set saw blades produce narrow kerf causing excessive friction, blade binding and kickback.**
- ▶ **Do not use saw blades made from high speed steel (HSS).** Such saw blades can easily break.
- ▶ **Always use saw blades with correct size and shape (diamond versus round) of arbour holes.** Saw blades that do not match the mounting hardware of the saw will run off-centre, causing loss of control.
- ▶ **Never remove cuttings, wood chips, etc. from the cutting area while the power tool is running.** Always guide the tool arm back to the neutral position first and then switch the power tool off.
- ▶ **Do not touch the saw blade after working before it has cooled.** The saw blade becomes very hot while working.
- ▶ **The power tool is delivered with a laser warning sign (see table: "Symbols and their meaning").**
- ▶ **If the text of the laser warning label is not in your national language, stick the provided warning label in your national language over it before operating for the first time.**
- ▶ **Never make warning signs on the machine unrecognisable.**



Do not direct the laser beam at persons or animals and do not stare into the direct or reflected laser beam yourself. You could blind somebody, cause accidents or damage your eyes.

- ▶ **If laser radiation hits your eye, you must close your eyes and immediately turn your head away from the beam.**
- ▶ **Do not make any modifications to the laser equipment.** The setting options described in these operating instructions can be used safely.
- ▶ **Do not let children use the power tool unsupervised.** They could unintentionally blind themselves or other persons

Symbols

The following symbols may be important for the operation of your power tool. Please take note of these symbols and their meaning. Correctly interpreting the symbols will help you to operate the power tool more effectively and safely.

Symbols and their meaning



LASER RADIATION
DO NOT STARE INTO BEAM
CLASS 2 LASER PRODUCT
EN 60825-1:2014
CLASS 2

Laser radiation

**Do not look directly into the beam
Laser class 2**



Keep hands away from the cutting area while the power tool is running. Contact with the saw blade can lead to injuries.



Wear a dust mask.



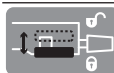
Wear safety goggles.



Wear hearing protection. Exposure to noise can cause hearing loss.



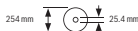
Danger area! Keep hands, fingers and arms away from this area.



To set any bevel angle, the tool arm must be able to move freely.

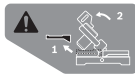
Lock button pulled up:
The bevel angle can be set.

Lock button pushed down:
The set bevel angle is locked.

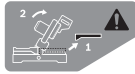


Take note of the dimensions of the saw blade. The hole diameter must match the tool spindle without play. If it is necessary to use reducers, ensure that the dimensions of the reducer are suitable for the base blade thickness and the saw blade hole diameter, as well as the tool spindle diameter. Wherever possible, use the reducers provided with the saw blade.

The saw blade diameter must match the information specified on the symbol.

Symbols and their meaning

The left/right adjustable fence must be removed when sawing bevel angles.



Product Description and Specifications



Read all the safety and general instructions.

Failure to observe the safety and general instructions may result in electric shock, fire and/or serious injury.

Please observe the illustrations at the beginning of this operating manual.

Intended Use

The power tool is intended as a stationary machine for making straight cuts in wood with and against the grain. Mitre angles of -47° to $+52^\circ$ as well as bevel angles of 45° (left-hand side) to 45° (right-hand side) are possible.

The power tool is designed with sufficient capacity for sawing hardwood and softwood as well as chipboard and fibreboard.

When using appropriate saw blades, sawing aluminium profiles and plastic is also possible.

Product Features

The numbering of the product features refers to the diagram of the power tool on the graphics page.

- | | | | |
|------|-------------------------------------|------|---|
| (1) | Locking screw for slide device | (20) | Screw clamp |
| (2) | Slide device | (21) | Adjustment knob for 0° bevel angle |
| (3) | Laser warning label | (22) | Depth stop |
| (4) | Transport handle | (23) | Depth stop adjusting screw |
| (5) | Handle | (24) | Hex key |
| (6) | Lock-off function for On/Off switch | (25) | Transport Safety Lock |
| (7) | Protective guard | (26) | Length stop |
| (8) | Retracting blade guard | (27) | Recessed handles |
| (9) | Mounting holes | (28) | Mounting holes for horizontal fixing |
| (10) | Insert plate | (29) | Saw table |
| (11) | Lock button for mitre angle | (30) | Scale for mitre angles |
| (12) | Locking knob for all mitre angles | (31) | Tilt protector |
| (13) | Lock button for bevel angle | (32) | Guide roller |
| (14) | Angle indicator for mitre angles | (33) | Spindle lock |
| (15) | Detents for standard mitre angles | (34) | Laser beam outlet aperture |
| (16) | Saw table extension | (35) | On/off switch |
| (17) | Workpiece support ^{a)} | (36) | On/Off switch for laser (cutting line indication) |
| (18) | Fixed fence | (37) | Chip ejector |
| (19) | Adjustable fence | (38) | Wing bolt for fixing the adjustable fence |
| | | (39) | Holes for screw clamp |
| | | (40) | Stop screw for right-hand bevel angle range |
| | | (41) | Standard bevel angle stops 45° , 22.5° and 33.9° |
| | | (42) | Clamping screw for saw table extension |
| | | (43) | Securing screw for saw table extension |
| | | (44) | Opening for workpiece support (on power tool) |
| | | (45) | Opening for second workpiece support (on workpiece support) |
| | | (46) | Dust bag |
| | | (47) | Hex socket screw for mounting the saw blade |
| | | (48) | Clamping flange |
| | | (49) | Saw blade |
| | | (50) | Inner clamping flange |
| | | (51) | Wing bolt for adjusting the height of the threaded rod |
| | | (52) | Threaded rod |
| | | (53) | Wing bolt for screw clamp |
| | | (54) | Screw clamp pins |
| | | (55) | Angle indicator for bevel angles |
| | | (56) | Scale for bevel angles |
| | | (57) | Clamping screw for length stop |
| | | (58) | Guide rail for length gauge |
| | | (59) | Wing bolt for fixing the guide rail for length gauge |
| | | (60) | Screws for insert plate |
| | | (61) | Set screw for positioning the laser |
| | | (62) | Set square |
| | | (63) | Stop screw for 0° bevel angle |
| | | (64) | Hex socket screw for fence |

- (65) Screw for bevel angle indicator
- (66) Screw for mitre angle indicator
- a) **Not available in all country-specific versions.**

Technical Data

Sliding Mitre Saw		GCM 254 D
Article number		3 601 M53 0..
Rated power input	W	1800
No-load speed	min ⁻¹	4800
Laser type	nm	650
	mW	< 1
Laser class		2
Weight	kg	17.9
Protection class		□/II
Dimensions of suitable saw blades		
Saw blade diameter	mm	254
Base blade thickness	mm	1.4–2.5
Max. cutting width	mm	3
Hole diameter	mm	25.4

Permitted workpiece dimensions (maximum/minimum): (see "Permissible workpiece dimensions", page 24)

The specifications apply to a rated voltage [U] of 230 V. These specifications may vary at different voltages and in country-specific models.

The appliance meets IEC 61000-3-11 requirements and is subject to conditional connection. The appliance can lead to occasional voltage fluctuations under unfavorable power conditions. The impedance of this appliance is set as $Z_{\text{actual}} = 0.094 \Omega$. The user must make sure, that the connection point, with the impedance Z_{max} , on which the appliance shall be plugged in meets the impedance requirement: $Z_{\text{pc}} \geq Z_{\text{max}}$. If Z_{max} is unknown, determine Z_{max} in consultation with the network supplier or supply authority.

Values can vary depending on the product, scope of application and environmental conditions. To find out more, visit www.bosch-professional.com/wac.

Assembly

- ▶ **Avoid starting the power tool unintentionally. The mains plug must not be connected to the power supply during assembly or when carrying out any kind of work on the power tool.**

Items included



See the list of items included at the start of the operating manual.

Check to ensure that all the parts listed below have been supplied before using the power tool for the first time:

- Sliding mitre saw with fitted saw blade
- Dust bag (46)
- Workpiece support (17) (2 units) (not available in all country-specific versions).
- Screw clamp (20)

- Hex key (24)
- Set square (62)
- Saw table extension (16) (2 units)

Note: Check the power tool for possible damage.

Before continuing to use the power tool, carefully check that all protective devices or slightly damaged parts are working perfectly and according to specifications. Check that the moving parts are working perfectly and without jamming; check whether any parts are damaged. All parts must be fitted correctly and all the conditions necessary to ensure smooth operation must be met.

If the protective devices or any parts become damaged, you must have them properly repaired or replaced by an authorised service centre.

Fitting individual components

- Carefully remove all parts included in the delivery from their packaging.
- Remove all packing material from the power tool and the accessories provided.
- For ease of assembly when fitting the tool elements that are provided, be aware that the power tool is supplied in the transport position.

Fitting the saw table extensions (see figure A1)

To extend the saw table further, saw table extensions can be mounted both to the left or right of the power tool.

- Unscrew the securing screws (43) from the saw table extensions with a cross-headed screwdriver.
- Tilt the power tool.
- Push the saw table extensions (16) on both sides of the power tool all the way into the corresponding drill holes.
- For the pull-out safety device, screw the securing screws (43) back into the saw table extensions.

Installing Workpiece Supports (see figure A2)

The workpiece supports (17) can be positioned left, right or in front of the power tool. The flexible connector system enables a multitude of extension or expansion variants (see figure G).

- Insert the workpiece support (17) into the openings (44) on the power tool or into the openings (45) of the second workpiece support as required.
- ▶ **Never carry the power tool using the workpiece supports. Only use the transport devices to transport the power tool.**

Stationary or flexible mounting

- ▶ **To ensure safe handling, the power tool must be mounted on a flat, stable work surface (e.g. work bench) before use.**

Mounting on a work surface (see figure B1–B2)

- Use suitable screw fasteners to secure the power tool to the work surface. The holes (9) are used for this purpose.

or

- Firmly clamp the base of the power tool to the work surface with commercially available screw clamps.

Mounting on a Bosch saw stand

With the height-adjustable legs, Bosch GTA saw stands provide firm support for the power tool on any surface. The workpiece supports of the saw stand are used for underlaying long workpieces.

- ▶ **Read all the warnings and instructions included with the saw stand.** Failure to observe the warnings and follow instructions may result in electric shock, fire and/or serious injury.
- ▶ **Assemble the saw stand properly before mounting the power tool.** Correct assembly is important to prevent the risk of collapsing.
 - Mount the power tool on the saw stand in the transport position.

Flexible installation (not recommended) (see figure B3)

If, in exceptional circumstances, it is not possible to mount the power tool on a flat and stable work surface, you can improvise by setting it up with the tilt protector.

- ▶ **Without the tilt protector, the power tool will not be stable and can tip over especially when sawing maximum mitre and/or bevel angles.**
 - Rotate the tilt protector (31) inwards or outwards until the power tool is positioned straight on the work surface.

Dust/Chip Extraction

The dust from materials such as lead paint, some types of wood, minerals and metal can be harmful to human health. Touching or breathing in this dust can trigger allergic reactions and/or cause respiratory illnesses in the user or in people in the near vicinity.

Certain dusts, such as oak or beech dust, are classified as carcinogenic, especially in conjunction with wood treatment additives (chromate, wood preservative). Materials containing asbestos may only be machined by specialists.

- Use a dust extraction system that is suitable for the material wherever possible.
- Provide good ventilation at the workplace.
- It is advisable to wear a P2 filter class breathing mask.

The regulations on the material being machined that apply in the country of use must be observed.

- ▶ **Avoid dust accumulation at the workplace.** Dust can easily ignite.

The dust/chip extraction system can be blocked by dust, chips or fragments of the workpiece.

- Switch the power tool off and pull the mains plug out of the socket.
- Wait until the saw blade has come to a complete stop.
- Determine the cause of the blockage and eliminate it.

Self-generated dust extraction (see figure C)

For basic chip collection, use a dust bag (46) (accessory).

- Attach the dust bag (46) to the chip ejector (37).

During sawing, the dust bag must not come into contact with moving tool components.

Always empty the dust bag in good time.

- ▶ **Check and clean the dust bag each time after using.**
- ▶ **When sawing aluminium, remove the dust bag to avoid the risk of fire.**

External Dust Extraction

You can also attach a dust extraction hose (35 mm diameter) to the chip ejector (37) for extraction.

The dust extractor must be suitable for the material being worked.

When extracting dry dust that is especially detrimental to health or carcinogenic, use a special dust extractor.

Changing the saw blade (see figures D1–D4)

- ▶ **Pull the plug out of the socket before carrying out any work on the power tool.**

- ▶ **Wear protective gloves when fitting the saw blade.**

There is a risk of injury when touching the saw blade.

Only use saw blades that have a maximum permitted speed higher than the no-load speed of the power tool.

Only use saw blades that match the specifications given in this operating manual and that have been tested and marked in accordance with EN 847-1.

Only use saw blades that are recommended by the power tool manufacturer and are suitable for use on the material you want to saw. This will prevent the saw teeth overheating when sawing.

Removing the Saw Blade

- Bring the power tool into the work position.
- Swivel the retracting blade guard (8) to the back and hold it in this position.
- Turn the hex socket screw (47) with the hex key (8 mm) (24) and at the same time push the spindle lock (33) until it engages.
- Keep holding the spindle lock (33) and loosen the hex socket screw (47) by turning it clockwise (left-hand thread).
- Remove the clamping flange (48).
- Remove the saw blade (49).
- Slowly push the retracting blade guard back down.

Fitting the saw blade

- ▶ **When fitting the saw blade, make sure that the cutting direction of the teeth (arrow direction on the saw blade) matches the direction of the arrow on the protective guard.**

If required, clean all the parts you want to fit before installing them.

- Swivel the retracting blade guard (8) to the back and hold it in this position.
- Place the new saw blade on the inner clamping flange (50).

- Fit the clamping flange (48) and the hex socket screw (47). Press the spindle lock (33) until it engages and tighten the hex socket screw by turning it anticlockwise.
- Slowly push the retracting blade guard back down.

Operation

- ▶ **Pull the plug out of the socket before carrying out any work on the power tool.**
- ▶ **Products that are only sold in AUS and NZ:** Use a residual current device (RCD) with a nominal residual current of 30 mA or less.

Transport Safety Lock (see figure E)

The transport safety lock (25) makes it easier to handle the power tool when transporting it to various working locations.

Unlocking the power tool (work position)

- Press the tool arm down slightly by the handle (5) to release the transport safety lock (25).
- Pull the transport safety lock (25) all the way out.
- Slowly guide the tool arm upwards.

Locking the power tool (transport position)

- Loosen the locking screw (1) if it is clamping the slide device (2) in place. Pull the tool arm fully forward and tighten the locking screw again to lock the slide device.
- Screw the adjusting screw (23) all the way upwards.
- To lock the saw table (29) in place, tighten the locking knob (12).
- Swing the tool arm downwards by the handle (5) until you can press the transport safety lock (25) completely inwards.

The tool arm is now securely locked and ready for transportation.

Preparing for operation

To ensure precise cuts, the basic settings of the power tool must be checked and adjusted as necessary after intensive use.

Experience and suitable special tools are required for this. A Bosch after-sales service point will handle this work quickly and reliably.

Extending/Expanding the Saw Table (see figures F–G)

The free end of long and heavy workpieces must have something placed underneath it or be supported.

The saw table can be extended left and right using the saw table extensions (16).

- Loosen the clamping screw (42).
- Pull out the saw table extension (16) to the required length.
- Retighten the clamping screw (42) to fix the saw table extension.

The flexible connector system of the workpiece supports (17) enables a multitude of extension or expansion variants.

- Insert the workpiece support (17) into the openings (44) on the power tool or into the openings (45) of the second workpiece support as required.

- ▶ **Never carry the power tool using the workpiece supports. Only use the transport devices to transport the power tool.**

Removing the Fence (see figure H)

You have to remove the left/right adjustable fence (19) to saw bevel angles.

- Loosen the wing bolts (38).
- Remove the adjustable fence (19).

After sawing the bevel angles, reinsert the adjustable fence (19) and tighten the wing bolts (38).

Clamping the workpiece (see figures I1–I3)

To ensure maximum safety while working, the workpiece must always be firmly clamped.

Do not saw workpieces that are too small to clamp firmly.

Vertical Clamping

- Press the workpiece firmly against the (18) and (19) fences.
- Insert the supplied screw clamp (20) into one of the corresponding holes (39).
- Loosen the wing bolt (51) and adjust the screw clamp to the workpiece. Tighten the wing bolt again.
- Tighten the threaded rod (52) to fix the workpiece in place.

Horizontal clamping

- Unscrew the wing bolt (53) and pull apart the screw clamp.
- Insert the screw clamp (20) that has now been taken apart with the pin (54) into one of the corresponding holes (28).
- Press the workpiece firmly onto the saw table (29).
- Tighten the threaded rod (52) to fix the workpiece in place.

Releasing the workpiece

- To loosen the screw clamp, turn the threaded rod (52) anticlockwise.

Adjusting mitre angles

- Bring the power tool into the work position.

Setting Standard Mitre Angles (see figure J)

For quick and precise setting of commonly used mitre angles, detents (15) are provided on the saw table:

Left	Right
	0°
45°; 22.5°; 15°	15°; 22.5°; 45°

- Loosen the locking knob (12) if it is tightened.

- Press the lock button (11) down and turn the saw table (29) left or right by the locking knob until the angle indicator (14) shows the standard mitre angle required.
- Release the lock button (11) again. The saw table must be heard to click into the detent.
- Retighten the locking knob (12).

Setting any Mitre Angle

The mitre angle can be set between 47° (left-hand side) and 52° (right-hand side).

- Loosen the locking knob (12) if it is tightened.
- Press the lock button (11) down and turn the saw table (29) left or right by the locking knob until the angle indicator (14) shows the mitre angle required.
- Release the lock button (11) again.
- Retighten the locking knob (12).

Adjusting bevel angles

The bevel angle can be set between 45° (left-hand side) and 45° (right-hand side).

For quick and precise setting of frequently used bevel angles, stops have been provided for the angles 0°, 22.5°, 33.9° and 45°.

Setting the Left Bevel Angle Range

- Remove the left-hand adjustable fence (19)
- Turn the left-hand stop (41) until the standard 45° bevel angle engages at the arrow mark.
The full swivel range to the left is now available.
- Pull the lock button (13) up.
- Use the handle (5) to swivel the tool arm to the left until the angle indicator shows the required bevel angle.
- Hold the tool arm in this position and push the lock button (13) back down.

Setting the Right Bevel Angle Range

- Remove the right adjustable fence (19).
- Turn the right-hand stop (41) until the standard 45° bevel angle engages at the arrow mark.
The right swivel range to the right is now available.
- Pull the lock button (13) up.
- Turn the adjustment knob (21) slightly to the left and swivel the tool arm to the right by the handle (5) until the angle indicator shows the required bevel angle.
- Hold the tool arm in this position and push the lock button (13) back down.

Setting Standard Bevel Angles (see figure K)

- Remove the right/left adjustable fence (19).
- Pull the lock button (13) up.

Standard mitre angle 0°:

- Turn the adjustment knob (21) slightly to the left and swivel the tool arm from the right to the 0° position until you hear it click into place in the 0° position.
- Push the lock button (13) back down.

Standard mitre angles 45°, 33.9° and 22.5°:

- Turn the left-hand or right-hand stop (41) until the required standard bevel angle engages at the arrow mark.
- Swivel the tool arm as far as it will go to the left.
or
Turn the adjustment knob (21) slightly to the left and swivel the tool arm to the right by the handle (5) as far as it will go.
- Push the lock button (13) back down.

Start-up

- ▶ **Pay attention to the mains voltage.** The voltage of the power source must match the voltage specified on the rating plate of the power tool.
- ▶ **Always firmly tighten the locking knob (12) and push the lock button down (13) before sawing.** Otherwise the saw blade can become wedged in the workpiece.

Switching on (see figure L)

- To **start** the power tool, **first** press the lock-off button (6). **Then** press the on/off switch (35) all the way in and keep it pressed.

Note: For safety reasons, the on/off switch (35) cannot be locked; it must remain pressed during the entire operation.

Switching off

- To **switch off**, release the on/off switch (35).

Sawing

General sawing instructions

- ▶ **Always firmly tighten the locking knob (12) and push the lock button down (13) before sawing.** Otherwise the saw blade can become wedged in the workpiece.
- ▶ **For all cuts, it must first be ensured that the saw blade at no time can come in contact with the fence, screw clamps or other machine parts. Remove any mounted auxiliary stops or adjust them accordingly.**

Protect the saw blade against impact and shock. Do not subject the saw blade to lateral pressure.

Only saw materials which are permitted within the scope of the intended use.

Do not saw warped/bent workpieces. The workpiece must always have a straight edge to face against the fence.

The free end of long and heavy workpieces must have something placed underneath it or be supported.

Make sure that the retracting blade guard operates properly and that it can move freely. The retracting blade guard must open when the tool arm is guided downwards. When the tool arm is guided upwards, the retracting blade guard must close again over the saw blade and lock in the uppermost position of the tool arm.

Position of the operator (see figure M)

- ▶ **Do not stand in line with the saw blade in front of the power tool. Always stand to the side of the saw blade.** This protects your body against possible kickback.
- Keep hands, fingers and arms away from the rotating saw blade.

- Do not reach one hand across the other when in front of the tool arm.

Sawing with slide movement

- For cuts made using the slide device **(2)** (wide workpieces), loosen the locking screw **(1)** if it is tightened.
- Set the required mitre and/or bevel angle as necessary.
- Press the workpiece firmly against the fences **(18)** and **(19)**.
- Firmly clamp the workpiece as appropriate for its dimensions.
- Pull the tool arm away from the fence **(18)** until the saw blade is in front of the workpiece.
- Switch the power tool on.
- Slowly guide the tool arm downwards using the handle **(5)**.
- Now push the tool arm towards the fences **(18)** and **(19)** and saw through the workpiece with uniform feed.
- Switch off the power tool and wait until the saw blade has come to a complete stop.
- Slowly guide the tool arm upwards.

Sawing without slide movement (cutting off) (see figure N)

- For cuts without slide movement (small workpieces), loosen the locking screw **(1)** if it is tightened. Push the tool arm all the way towards the fence **(18)** and retighten the locking screw **(1)**.
- Set the required mitre and/or bevel angle as necessary.
- Press the workpiece firmly against the fences **(18)** and **(19)**.
- Firmly clamp the workpiece as appropriate for its dimensions.
- Switch the power tool on.
- Slowly guide the tool arm downwards using the handle **(5)**.
- Saw through the workpiece applying uniform feed.
- Switch off the power tool and wait until the saw blade has come to a complete stop.
- Slowly guide the tool arm upwards.

Practical advice

Marking the Cutting Line (see figure O)

A laser beam shows you the cutting line of the saw blade. This allows for exact positioning of the workpiece for sawing, without having to open the retracting blade guard.

- To activate this, turn on the laser beam using the switch **(36)**.
- Align your mark on the workpiece with the centre of the laser line.

Note: Before sawing, check whether the cutting line is still indicated correctly. The laser beam can be misaligned due to vibrations from intensive use, for example.

Permissible workpiece dimensions

Maximum workpiece dimensions:

Mitre angle	Bevel angle	Height x width [mm]
0°	0°	90 x 310
45°	0°	90 x 210
0°	45° (left)	45 x 310
45°	45° (left)	45 x 210
0°	45° (right)	35 x 310
45°	45° (right)	35 x 210

Minimum workpiece dimensions (= all workpieces that can be secured left or right of the saw blade using the supplied screw clamps **(20)**): 130 x 50 mm (length x width)

Maximum cutting depth (0°/0°): 90 mm

Sawing workpieces of the same length (see figure P)

The length gauge **(26)** can be used for easily sawing workpieces of the same length.

- Loosen the clamping screw **(57)** and move the length gauge **(26)** in the guide rail **(58)** to the required workpiece length.
- Retighten the clamping screw **(57)**.

Longer workpieces:

- Loosen the wing bolt **(59)** and pull out the guide rail **(58)** as far as it will go.
- Retighten the wing bolt **(59)**.
- Adjust the length gauge **(26)** to the required workpiece length.

Sawing without a length gauge:

- Loosen the clamping screw **(57)** and move the length gauge **(26)** in the guide rail **(58)** all the way out.
- Rotate the length gauge by 90° until it is flush with the fence **(18)**.
- Retighten the clamping screw **(57)**.

Adjusting the depth stop (sawing the groove) (see figure Q)

The depth stop needs to be adjusted if you wish to saw a groove.

- Swivel the depth stop **(22)** outwards.
- Swivel the tool arm by the handle **(5)** into the required position.
- Turn the adjusting screw **(23)** until the end of the screw touches the depth stop **(22)**.
- Slowly guide the tool arm upwards.

Special workpieces

When sawing curved or round workpieces, these must be especially secured against slipping. At the cutting line, there should be no gap between the workpiece, fence and saw table.

If necessary, you will need to manufacture special fixtures.

Replacing insert plates (see figure R)

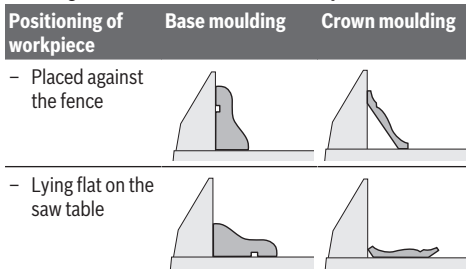
The insert plate **(10)** can become worn after long use of the power tool.

Replace a defective insert plate.

- Bring the power tool into the work position.
- Unscrew the screws (60) using a commercially available cross-headed screwdriver and remove the old insert plate (10).
- Insert the new insert plate and screw the screws (60) in tight again.

Working on mouldings

Mouldings can be sawn in two different ways:



Furthermore, you can cut with or without the slide movement depending on the width of the moulding.

Always check the set mitre and/or bevel angle first by making trial cuts in scrap wood.

Adjusting the laser

Note: To test the laser function, the power tool must be connected to the power supply.

► **While adjusting the laser (e.g. when moving the tool arm), never activate the on/off switch.** Starting the power tool accidentally can lead to injuries.

- Bring the power tool into the work position.
- Turn the saw table (29) to the 0° detent (15). The lever must be felt to engage in the detent.

To ensure precise cuts, the laser beams must be checked and adjusted as necessary after intensive use. Experience and suitable special tools are required for this. A Bosch after-sales service point will handle this work quickly and reliably.

Checking (see figure S1)

- Draw a straight cutting line on the workpiece.
- Slowly guide the tool arm downwards using the handle (5).
- Position the workpiece so that the teeth of the saw blade line up with the cutting line.
- Hold the workpiece in this position and slowly guide the tool arm back up.
- Clamp the workpiece.
- Turn on the laser beam using the switch (36).

The laser beam must be flush with the cutting line on the workpiece along its entire length, even if the tool arm is guided downwards.

Setting (see figure S2)

- Turn the set screw (61) with a suitable screwdriver until the laser beam is parallel to the entire length of the cutting line on the workpiece.

One rotation anticlockwise moves the laser beam from left to right; one rotation clockwise moves the laser beam from right to left.

Checking and Adjusting the Basic Settings

To ensure precise cuts, the basic settings of the power tool must be checked and adjusted as necessary after intensive use.

Experience and suitable special tools are required for this.

A Bosch after-sales service point will handle this work quickly and reliably.

Setting the standard 0° bevel angle

- Bring the power tool into the work position.
- Turn the saw table (29) to the 0° detent (15). The lever must be felt to engage in the detent.
- Pull the lock button (13) up.
- Turn the adjustment knob (21) slightly to the left and swivel the tool arm from the right to the 0° position until you hear it click into place in the 0° position.
- Push the lock button (13) back down.

Checking (see figure T1)

- Position the set square (62) with the 90° angle flush with the saw blade (49) between the saw table (29) and the saw blade on the saw table (29).

The leg of the set square must be flush with the saw blade (49) along its entire length.

Setting (see figure T2)

- Loosen the lock nut of the stop screw (63) using a commercially available box-ended or open-ended spanner.
- Turn the stop screw (63) as far in or out as needed until the leg of the set square (62) is flush with the saw blade along its entire length.
- Push the lock button (13) back down.
- Then re-tighten the lock nut of the stop screw (63).

If the angle indicator (55) is not aligned with the 0° mark on the scale (56) following adjustment, loosen the screw (65) using a commercially available cross-headed screwdriver and align the angle indicator along the 0° mark (see figure W).

Setting the Standard 45° Bevel Angle (right)

- Bring the power tool into the work position.
- Turn the saw table (29) to the 0° detent (15). The lever must be felt to engage in the detent.
- Remove the right adjustable fence (19).
- Turn the right stop (41) until the standard 45° bevel angle engages at the arrow mark.
- Pull the lock button (13) up.
- Turn the adjustment knob (21) to the left and swivel the tool arm to the right by the handle (5) as far as it will go.

Checking (see figure U1)

- Position the set square (62) with the 45° angle flush with the saw blade (49) between the saw table (29) and the right-hand saw blade on the saw table.

The leg of the set square must be flush with the saw blade (49) along its entire length.

Setting (see figure U2)

- Loosen the lock nut of the stop screw (40) using a commercially available box-ended or open-ended spanner.
- Turn the stop screw (40) as far in or out as needed until the leg of the set square (62) is flush with the saw blade along its entire length.
- Push the lock button (13) back down.
- Then re-tighten the lock nut of the stop screw (40).

If the angle indicator (55) is not aligned with the 45° mark on the scale (56) following adjustment, first check the 0° setting for the bevel angle and the angle indicator once more. Then repeat the adjustment of the 45° bevel angle.

Aligning the fence

- Bring the power tool into the transport position.
- Loosen the locking knob (12) if it is tightened.
- Push the lock button (11) down and turn the saw table (29) to the 0° detent (15).
- Release the lock button (11) again. The saw table must be heard to click into the detent.
- Remove the adjustable fences (19).

Checking (see figure V1)

- Position the set square (62) with the 90° angle flush with the saw blade (49) between the fence (18) and the saw blade on the saw table (29).

The leg of the set square must be flush with the fence along its entire length.

Setting (see figure V2)

- Loosen all hex socket screws (64) with the hex key (24) provided.
- Rotate the fence (18) until the set square is flush along its entire length.
- Retighten the screws.

Aligning the Angle Indicator (Vertical) (see figure W)

- Pull the lock button (13) up.
- Turn the adjustment knob (21) slightly to the left and swivel the tool arm from the right to the 0° position until you hear it click into place in the 0° position.
- Push the lock button (13) back down.

Checking

The angle indicator (55) must be in line with the 0° mark of the scale (56).

Setting

- Loosen the screw (65) using a cross-headed screwdriver and align the angle indicator along the 0° mark.
- Retighten the screw.

Aligning the mitre angle indicator (see figure X)

- Bring the power tool into the work position.

- Turn the saw table (29) to the 0° detent (15). The lever must be felt to engage in the detent.

Checking

The angle indicator (14) must be in line with the 0° mark of the scale (30).

Setting

- Loosen the screw (66) using a cross-headed screwdriver and align the angle indicator along the 0° mark.
- Retighten the screw.

Transporting the Power Tool (see figure Y)

Before transporting the power tool, the following steps must be carried out:

- Loosen the locking screw (1) if it is tightened. Pull the tool arm fully forwards and retighten the locking screw.
- Make sure that the depth stop (22) is pressed all the way in and that the adjusting screw (23) fits through the recess without touching the depth stop when moving the tool arm.
- Bring the power tool into the transport position.
- Remove all accessories that cannot be securely fitted to the power tool. If possible, transport unused saw blades in an enclosed container.
- Carry the power tool by the transport handle (4) or hold it by the recessed handles (27) on the sides of the saw table.

► **Only use the transport devices to transport the power tool and never the protective devices or workpiece supports.**

Maintenance and Service

Maintenance and Cleaning

- **Pull the plug out of the socket before carrying out any work on the power tool.**
- **To ensure safe and efficient operation, always keep the power tool and the ventilation slots clean.**

In order to avoid safety hazards, if the power supply cord needs to be replaced, this must be done by **Bosch** or by an after-sales service centre that is authorised to repair **Bosch** power tools.

The retracting blade guard must always be able to move freely and retract automatically. It is therefore important to keep the area around the retracting blade guard clean at all times.

Always remove dust and chips after working by blowing out with compressed air or using a brush.

Clean the guide roller (32) regularly.

Noise reduction measures

Measures implemented by the manufacturer:

- Soft start
- Provided with a saw blade specially developed for noise reduction

Measures implemented by the operator:

- Low-vibration mounting on a stable work surface
- Use of saw blades with noise-reducing functions
- Regular cleaning of the saw blade and power tool

After-Sales Service and Application Service

Our after-sales service responds to your questions concerning maintenance and repair of your product as well as spare parts. You can find explosion drawings and information on spare parts at: www.bosch-pt.com

The Bosch product use advice team will be happy to help you with any questions about our products and their accessories.

In all correspondence and spare parts orders, please always include the 10-digit article number given on the nameplate of the product.

Malaysia

Robert Bosch Sdn. Bhd. (220975-V) PT/SMY
No. 8A, Jalan 13/6
46200 Petaling Jaya
Selangor
Tel.: (03) 79663194
Toll-Free: 1800 880188
Fax: (03) 79583838
E-Mail: kiathoe.chong@my.bosch.com
www.bosch-pt.com.my

You can find further service addresses at:

www.bosch-pt.com/serviceaddresses

Disposal

The power tool, accessories and packaging should be recycled in an environmentally friendly manner.



Do not dispose of power tools along with household waste.

Français

Consignes de sécurité

Avertissements de sécurité généraux pour l'outil électrique

⚠ AVERTISSEMENT

Lire tous les avertissements de sécurité, les instructions, les illustrations et les spécifications fournis

avec cet outil électrique. Ne pas suivre les instructions énumérées ci-dessous peut provoquer un choc électrique, un incendie et/ou une blessure sérieuse.

Conserver tous les avertissements et toutes les instructions pour pouvoir s'y reporter ultérieurement.

Le terme "outil électrique" dans les avertissements fait référence à votre outil électrique alimenté par le secteur (avec

cordon d'alimentation) ou votre outil électrique fonctionnant sur batterie (sans cordon d'alimentation).

Sécurité de la zone de travail

- ▶ **Conserver la zone de travail propre et bien éclairée.** Les zones en désordre ou sombres sont propices aux accidents.
- ▶ **Ne pas faire fonctionner les outils électriques en atmosphère explosive, par exemple en présence de liquides inflammables, de gaz ou de poussières.** Les outils électriques produisent des étincelles qui peuvent enflammer les poussières ou les fumées.
- ▶ **Maintenir les enfants et les personnes présentes à l'écart pendant l'utilisation de l'outil électrique.** Les distractions peuvent vous faire perdre le contrôle de l'outil.

Sécurité électrique

- ▶ **Il faut que les fiches de l'outil électrique soient adaptées au socle. Ne jamais modifier la fiche de quelque façon que ce soit. Ne pas utiliser d'adaptateurs avec des outils électriques à branchement de terre.** Des fiches non modifiées et des socles adaptés réduisent le risque de choc électrique.
- ▶ **Éviter tout contact du corps avec des surfaces reliées à la terre telles que les tuyaux, les radiateurs, les cuisinières et les réfrigérateurs.** Il existe un risque accru de choc électrique si votre corps est relié à la terre.
- ▶ **Ne pas exposer les outils électriques à la pluie ou à des conditions humides.** La pénétration d'eau à l'intérieur d'un outil électrique augmente le risque de choc électrique.
- ▶ **Ne pas maltraiter le cordon. Ne jamais utiliser le cordon pour porter, tirer ou débrancher l'outil électrique. Maintenir le cordon à l'écart de la chaleur, du lubrifiant, des arêtes vives ou des parties en mouvement.** Des cordons endommagés ou emmêlés augmentent le risque de choc électrique.
- ▶ **Lorsqu'on utilise un outil électrique à l'extérieur, utiliser un prolongateur adapté à l'utilisation extérieure.** L'utilisation d'un cordon adapté à l'utilisation extérieure réduit le risque de choc électrique.
- ▶ **Si l'usage d'un outil électrique dans un emplacement humide est inévitable, utiliser une alimentation protégée par un dispositif à courant différentiel résiduel (RCD).** L'usage d'un RCD réduit le risque de choc électrique.

Sécurité des personnes

- ▶ **Rester vigilant, regarder ce que vous êtes en train de faire et faire preuve de bon sens dans votre utilisation de l'outil électrique. Ne pas utiliser un outil électrique lorsque vous êtes fatigué ou sous l'emprise de drogues, de l'alcool ou de médicaments.** Un moment d'inattention en cours d'utilisation d'un outil électrique peut entraîner des blessures graves.
- ▶ **Utiliser un équipement de protection individuelle. Toujours porter une protection pour les yeux.** Les

équipements de protection individuelle tels que les masques contre les poussières, les chaussures de sécurité antidérapantes, les casques ou les protections auditives utilisés pour les conditions appropriées réduisent les blessures.

- ▶ **Éviter tout démarrage intempestif. S'assurer que l'interrupteur est en position arrêt avant de brancher l'outil au secteur et/ou au bloc de batteries, de le ramasser ou de le porter.** Porter les outils électriques en ayant le doigt sur l'interrupteur ou brancher des outils électriques dont l'interrupteur est en position marche est source d'accidents.
- ▶ **Retirer toute clé de réglage avant de mettre l'outil électrique en marche.** Une clé laissée fixée sur une partie tournante de l'outil électrique peut donner lieu à des blessures.
- ▶ **Ne pas se précipiter. Garder une position et un équilibre adaptés à tout moment.** Cela permet un meilleur contrôle de l'outil électrique dans des situations inattendues.
- ▶ **S'habiller de manière adaptée. Ne pas porter de vêtements amples ou de bijoux. Garder les cheveux et les vêtements à distance des parties en mouvement.** Des vêtements amples, des bijoux ou les cheveux longs peuvent être pris dans des parties en mouvement.
- ▶ **Si des dispositifs sont fournis pour le raccordement d'équipements pour l'extraction et la récupération des poussières, s'assurer qu'ils sont connectés et correctement utilisés.** Utiliser des collecteurs de poussière peut réduire les risques dus aux poussières.
- ▶ **Rester vigilant et ne pas négliger les principes de sécurité de l'outil sous prétexte que vous avez l'habitude de l'utiliser.** Une fraction de seconde d'inattention peut provoquer une blessure grave.

Utilisation et entretien de l'outil électrique

- ▶ **Ne pas forcer l'outil électrique. Utiliser l'outil électrique adapté à votre application.** L'outil électrique adapté réalise mieux le travail et de manière plus sûre au régime pour lequel il a été construit.
- ▶ **Ne pas utiliser l'outil électrique si l'interrupteur ne permet pas de passer de l'état de marche à arrêt et inversement.** Tout outil électrique qui ne peut pas être commandé par l'interrupteur est dangereux et il faut le réparer.
- ▶ **Débrancher la fiche de la source d'alimentation et/ou enlever le bloc de batteries, s'il est amovible, avant tout réglage, changement d'accessoires ou avant de ranger l'outil électrique.** De telles mesures de sécurité préventives réduisent le risque de démarrage accidentel de l'outil électrique.
- ▶ **Conserver les outils électriques à l'arrêt hors de la portée des enfants et ne pas permettre à des personnes ne connaissant pas l'outil électrique ou les présentes instructions de le faire fonctionner.** Les outils électriques sont dangereux entre les mains d'utilisateurs novices.

- ▶ **Observer la maintenance des outils électriques et des accessoires. Vérifier qu'il n'y a pas de mauvais alignement ou de blocage des parties mobiles, des pièces cassées ou toute autre condition pouvant affecter le fonctionnement de l'outil électrique. En cas de dommages, faire réparer l'outil électrique avant de l'utiliser.** De nombreux accidents sont dus à des outils électriques mal entretenus.
- ▶ **Garder affûtés et propres les outils permettant de couper.** Des outils destinés à couper correctement entretenus avec des pièces coupantes tranchantes sont moins susceptibles de bloquer et sont plus faciles à contrôler.
- ▶ **Utiliser l'outil électrique, les accessoires et les lames etc., conformément à ces instructions, en tenant compte des conditions de travail et du travail à réaliser.** L'utilisation de l'outil électrique pour des opérations différentes de celles prévues peut donner lieu à des situations dangereuses.
- ▶ **Il faut que les poignées et les surfaces de préhension restent sèches, propres et dépourvues d'huiles et de graisses.** Des poignées et des surfaces de préhension glissantes rendent impossibles la manipulation et le contrôle en toute sécurité de l'outil dans les situations inattendues.

Maintenance et entretien

- ▶ **Faire entretenir l'outil électrique par un réparateur qualifié utilisant uniquement des pièces de rechange identiques.** Cela assure le maintien de la sécurité de l'outil électrique.

Avertissements de sécurité pour scies à onglets

- ▶ **Les scies à onglets sont destinées à couper le bois ou des produits assimilés, et ne peuvent pas être utilisées avec une meule tronçonneuse pour la coupe de matériaux ferreux tels que des barres, tiges, goujons, etc.** La poussière d'abrasif provoque le coincement des pièces mobiles telles que le protecteur inférieur. Les étincelles générées par une coupe abrasive provoquent l'inflammation du protecteur inférieur, de l'insert de saignée et des autres pièces en plastique.
- ▶ **Utiliser dans toute la mesure du possible des presseurs pour soutenir la pièce. En cas de soutien de la pièce à la main, il faut toujours maintenir la main à une distance d'au moins 100mm de chaque côté de la lame de scie. Ne pas utiliser cette scie pour couper des pièces qui sont trop petites pour pouvoir être serrées en toute sécurité ou tenues à la main.** Une main placée trop près de la lame de scie augmente le risque de blessure par contact avec la lame.
- ▶ **La pièce doit être fixe et serrée ou maintenue contre le guide et la table. Ne jamais avancer la pièce dans la lame ou ne jamais couper "à main levée".** Des pièces non maintenues ou mobiles peuvent être éjectées à des vitesses élevées et provoquer de ce fait des blessures.

- ▶ **Scier la pièce en exerçant une poussée sur la scie. Ne pas scier la pièce en exerçant une traction sur la scie. Pour effectuer une coupe, lever la tête d'abattage et la placer au-dessus de la pièce sans la couper, lancer le moteur, appuyer sur la tête d'abattage et scier la pièce en exerçant une poussée sur la scie.** Une opération de coupe tirante est susceptible de provoquer le déplacement de la lame de scie vers le sommet de la pièce et de propulser violemment ainsi l'assemblage de la lame vers l'opérateur.
- ▶ **Ne jamais croiser la main avec la ligne de coupe prévue que ce soit devant ou derrière la lame de scie.** Soutenir la pièce "main croisée", c'est-à-dire en maintenant la pièce du côté droit de la lame de scie avec la main gauche ou inversement est très dangereux.
- ▶ **Ne pas approcher les mains de la partie arrière du guide à une distance de moins de 100 mm par rapport à chaque côté de la lame de scie, afin de retirer des copeaux de bois, ou pour toute autre raison, et ce, alors que la lame tourne.** La proximité de la lame de scie en rotation et de la main peut ne pas être évidente et peut risquer de provoquer de graves blessures.
- ▶ **Examiner la pièce avant de la couper. Si la pièce est courbée ou gauchie, la serrer avec la face courbée extérieure dirigée vers le guide. Toujours s'assurer de l'absence d'espace entre la pièce, le guide et la table le long de la ligne de coupe.** Les pièces pliées ou gauchies peuvent se tordre ou se décaler et peuvent entraîner un blocage de la lame de scie en rotation lors de la coupe. Il convient que la pièce ne comporte aucun clou ni aucun corps étranger
- ▶ **Ne pas utiliser la scie tant que la table n'est pas dégagée de tous les outils, copeaux de bois, etc., à l'exception de la pièce.** Les petits débris, les morceaux de bois détachés ou d'autres objets en contact avec la lame en rotation peuvent être éjectés avec une vitesse élevée.
- ▶ **Ne couper qu'une seule pièce à la fois.** Plusieurs pièces empilées ne peuvent être serrées ou entourées de manière appropriée et peuvent bloquer la lame ou se décaler lors de la coupe.
- ▶ **S'assurer que la scie à onglets est montée ou placée sur une surface de travail solide de niveau avant utilisation.** Une surface de travail solide de niveau réduit le risque d'instabilité de la scie à onglets.
- ▶ **Planifier votre travail. À chaque changement de réglage de l'angle de biseau ou d'onglet, s'assurer que le guide réglable est réglé correctement afin de soutenir la pièce, et n'affecte pas la lame ou le système de protection.** Sans mettre l'outil en position "MARCHE" et sans aucune pièce placée sur la table, déplacer la lame de scie en simulant une coupe complète afin de s'assurer de l'absence de tout obstacle ou de tout risque de sectionnement du guide.
- ▶ **Prévoir un support approprié tel que des rallonges de table, des chevalets de sciage, etc. pour une pièce plus large ou plus longue que le plateau de la table.** Des pièces plus longues ou plus larges que la table de la scie à onglets peuvent basculer si elles ne sont pas soutenues de manière sûre. Un basculement de la pièce coupée ou de la pièce à couper peut soulever le protecteur inférieur ou la pièce coupée ou à couper peut être éjectée par la lame en rotation.
- ▶ **Ne pas demander à une tierce personne de servir de rallonge de table ou de support supplémentaire.** Un support instable de la pièce peut entraîner le blocage de la lame ou le décalage de la pièce lors de la coupe, vous entraînant, de même que l'assistant, dans la lame en rotation.
- ▶ **La pièce coupée ne doit pas être coincée ou comprimée par quelque moyen que ce soit contre la lame de scie en rotation.** Si elle devait être enserrée, c'est-à-dire à l'aide de butées longitudinales, la pièce coupée pourrait être coincée contre la lame et être éjectée violemment.
- ▶ **Toujours utiliser un presseur ou un appareil de serrage conçu pour soutenir correctement tout matériau rond tel que des tiges ou des tubes.** Les tiges ont tendance à rouler lors de leur coupe, ce qui provoque une "action de morsure" de la lame et entraîne la pièce et la main dans ladite lame.
- ▶ **Laisser la lame atteindre sa vitesse maximale avant qu'elle n'entre en contact avec la pièce.** Cela réduit le risque d'éjection de la pièce.
- ▶ **Lorsque la pièce ou la lame est coincée, mettre la scie à onglets en position arrêt. Attendre l'arrêt complet de toutes les parties mobiles et débrancher la prise de la source d'alimentation et/ou retirer le bloc-piles. Libérer ensuite le matériau coincé.** Un sciage continu avec une pièce coincée peut entraîner une perte de contrôle ou endommager la scie à onglets.
- ▶ **Une fois la coupe achevée, relâcher l'interrupteur de puissance, abaisser la tête d'abattage et attendre l'arrêt de la lame avant de retirer la pièce coupée.** Il est dangereux d'approcher la main de la lame qui continue de tourner.
- ▶ **Maintenir la poignée fermement lors de la réalisation d'une coupe incomplète ou lors du relâchement de l'interrupteur de puissance avant que la tête d'abattage ne soit totalement à l'arrêt.** Le freinage de la scie peut provoquer une saccade descendante de la tête d'abattage, entraînant de ce fait un risque de blessure.
- ▶ **Ne relâchez pas la poignée quand la tête de la scie se trouve dans la position inférieure. Ramenez toujours la tête de la scie dans la position supérieure avec la main.** Il y a un risque de blessure quand la tête de la scie bouge de façon incontrôlée.
- ▶ **Veillez à une bonne propreté du poste de travail.** Les mélanges de matériau sont particulièrement dangereux. La poussière de métal fine peut s'enflammer ou exploser.
- ▶ **N'utilisez pas de lames émoussées, fissurées, déformées ou endommagées. Les lames aux dents émoussées ou mal alignées génèrent lors de la coupe une fente trop étroite. Il en résulte une friction anormalement élevée ainsi qu'un plus grand risque de coincement de la lame, de rebond ou de contrecoup.**

- ▶ **N'utilisez pas de lames en acier HSS (acier rapide).** De telles lames se cassent facilement.
- ▶ **Toujours utiliser des lames de scie de dimensions et de forme appropriées des alésages centraux (lame de scie au diamant contre lame de scie ronde).** Des lames qui ne sont pas conformes aux matériels de montage de la scie seront excentrées, provoquant une perte de contrôle.
- ▶ **N'essayez jamais d'enlever des résidus de coupe, copeaux de bois ou autre de la zone de coupe pendant le fonctionnement de l'outil électroportatif.** Amenez le bras de l'outil en position de repos puis éteignez l'outil électroportatif.
- ▶ **Après avoir utilisé la scie, ne touchez pas la lame avant qu'elle ne soit refroidie.** La lame de scie s'échauffe fortement en cours d'utilisation.
- ▶ **L'outil électroportatif est fourni avec une étiquette d'avertissement laser (voir le tableau « Symboles et leur signification »).**
- ▶ **Si le texte de l'étiquette d'avertissement laser n'est pas dans votre langue, recouvrez l'étiquette par l'autocollant dans votre langue qui est fourni, avant de procéder à la première mise en service.**
- ▶ **Assurez-vous que les étiquettes d'avertissement qui se trouvent sur l'outil électroportatif soient toujours lisibles.**



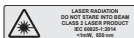
Ne dirigez jamais le faisceau laser vers des personnes ou des animaux et ne regardez jamais dans le faisceau laser projeté par l'appareil ou réfléchi. Vous risqueriez d'éblouir des personnes, de provoquer des accidents ou de causer des lésions oculaires.

- ▶ **Au cas où le faisceau laser frappe un œil, fermez immédiatement les yeux et déplacez la tête pour l'éloigner du faisceau. N'apportez jamais de modifications au dispositif laser.**
- ▶ **N'apportez aucune modification au dispositif laser.** Vous pouvez faire usage sans danger des possibilités de réglage décrites sans cette notice.
- ▶ **Ne laissez pas des enfants utiliser l'outil électroportatif sans surveillance.** Ils risqueraient de diriger le faisceau vers leurs propres yeux ou d'éblouir d'autres personnes par inadvertance.

Symboles

Les symboles suivants peuvent être importants pour l'utilisation de votre outil électroportatif. Veuillez mémoriser les symboles et leur signification. L'interprétation correcte des symboles vous permettra de mieux utiliser votre outil électroportatif et en toute sécurité.

Symboles et leur signification



Rayonnement laser
Ne regardez jamais directement dans le faisceau laser
Laser de classe 2

Symboles et leur signification



N'approchez en aucun cas les mains de la zone de sciage pendant le fonctionnement de l'outil électroportatif. Il y a risque de blessure grave en cas de contact avec la lame de scie.



Portez un masque à poussière.



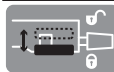
Portez toujours des lunettes de protection.



Portez une protection auditive. L'exposition aux bruits peut provoquer une perte de l'audition.



Zone dangereuse ! Gardez si possible les mains, doigts ou bras éloignés de cette zone.



Pour régler des angles d'inclinaison quelconques, le bras de l'outil doit pouvoir se mouvoir librement.

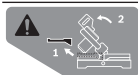
Touche de blocage tirée vers le haut : Il est possible de régler des angles d'inclinaison pour des coupes biaisées.

Touche de blocage poussée vers le bas : L'angle d'inclinaison réglé est maintenu.

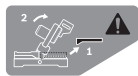


Respectez les dimensions prescrites de la lame de scie. Le diamètre de l'alésage central doit correspondre exactement à celui de la broche (pas de jeu). Lorsqu'il est nécessaire d'utiliser des bagues de réduction, veillez à ce que les dimensions de la bague de réduction soient adaptées à l'épaisseur du corps de lame, au diamètre de l'alésage de la lame et au diamètre de la broche de l'outil. Utilisez dans la mesure du possible les bagues de réduction fournies avec la lame.

Le diamètre de lame doit correspondre à l'indication du pictogramme.



Pour la réalisation de coupes biaisées, il convient de retirer la butée réglable gauche ou droite.



Description des prestations et du produit



Lisez attentivement toutes les instructions et consignes de sécurité. Le non-respect des instructions et consignes de sécurité peut provoquer un choc électrique, un incendie et/ou entraîner de graves blessures.

Référez-vous aux illustrations qui se trouvent à l'avant de la notice d'utilisation.

Utilisation conforme

Destiné à un usage stationnaire, l'outil électroportatif est conçu pour effectuer des coupes droites longitudinales et transversales dans le bois. Il permet de régler des angles de -47° à $+52^{\circ}$ dans le plan horizontal (coupes d'onglets) et des angles d'inclinaison de 45° (vers la gauche) à 45° (vers la droite) dans le plan vertical (coupes biaisées).

La puissance de l'outil électroportatif est conçue pour le sciage du bois tendre et du bois dur ainsi que pour les panneaux agglomérés et les panneaux de fibres.

L'outil électroportatif peut aussi servir à scier de l'aluminium et des matières plastiques à condition d'utiliser des lames de scie appropriées.

Éléments constitutifs

La numérotation des éléments se réfère à la représentation de l'outil électroportatif sur la page graphique.

- | | | | |
|------|---|------|--|
| (1) | Vis de serrage du dispositif radial | (20) | Serre-joint |
| (2) | Dispositif radial | (21) | Bouton de réglage pour angle d'inclinaison de 0° (coupes dans plan vertical) |
| (3) | Étiquette d'avertissement laser | (22) | Butée de profondeur |
| (4) | Poignée de transport | (23) | Vis d'ajustage de la butée de profondeur |
| (5) | Poignée | (24) | Clé 6 pans mâle |
| (6) | Verrouillage d'enclenchement de l'interrupteur Marche/Arrêt | (25) | Sécurité de transport |
| (7) | Capot de protection | (26) | Butée longitudinale |
| (8) | Capot de protection à mouvement pendulaire | (27) | Poignées encastrées |
| (9) | Orifices de fixation | (28) | Orifices pour fixation horizontale |
| (10) | Pare-éclats | (29) | Table de sciage |
| (11) | Touche de blocage d'angles d'onglet (coupes dans plan horizontal) | (30) | Échelle graduée pour angles d'onglet (coupes dans plan horizontal) |
| (12) | Poignée de blocage d'angles d'onglet (coupes dans plan horizontal) | (31) | Protection anti-basculement |
| (13) | Touche de blocage d'angles d'onglet (coupes dans plan vertical) | (32) | Galet |
| (14) | Indicateur d'angle d'onglet (coupes dans plan horizontal) | (33) | Blocage de broche |
| (15) | Encoches pour angles d'onglet standards (coupes dans plan horizontal) | (34) | Orifice de sortie du faisceau laser |
| (16) | Rallonge de table de sciage | (35) | Interrupteur Marche/Arrêt |
| (17) | Tablette d'appui ^{a)} | (36) | Bouton d'activation/désactivation du laser (marquage de la ligne de coupe) |
| (18) | Butée fixe | (37) | Éjecteur de copeaux |
| (19) | Butée réglable | (38) | Vis papillon pour bloquer la butée réglable |
| | | (39) | Alésages pour serre-joint |
| | | (40) | Vis de butée pour angles d'inclinaison côté droit (coupes dans le plan vertical) |
| | | (41) | Butée pour angles d'inclinaison standard de 45° , $22,5^{\circ}$ et $33,9^{\circ}$ (coupes dans le plan vertical) |
| | | (42) | Vis de serrage de la rallonge de table de sciage |
| | | (43) | Vis de blocage de la rallonge de table de sciage |
| | | (44) | Logement pour appui de pièce (sur l'outil électroportatif) |
| | | (45) | Logement pour second appui de pièce (sur appui de pièce) |
| | | (46) | Sac à poussière |
| | | (47) | Vis à six pans creux pour fixation de la lame |
| | | (48) | Flasque de serrage |
| | | (49) | Lame de scie |
| | | (50) | Flasque de serrage intérieur |
| | | (51) | Vis papillon pour régler la hauteur de la tige filetée |
| | | (52) | Tige filetée |
| | | (53) | Vis papillon du serre-joint |
| | | (54) | Axe du serre-joints |
| | | (55) | Indicateur d'angle d'inclinaison (coupes dans plan vertical) |
| | | (56) | Échelle graduée d'angles d'inclinaison (coupes dans plan vertical) |
| | | (57) | Vis de serrage de la butée longitudinale |
| | | (58) | Rail de guidage de la butée longitudinale |

- (59) Vis papillon pour bloquer le rail de guidage de la butée longitudinale
- (60) Vis de pare-éclats
- (61) Vis de réglage pour positionnement du laser
- (62) Triangle rapporteur
- (63) Vis de butée pour angle d'inclinaison de 0° (coupes dans le plan vertical)
- (64) Vis à tête hexagonale de la butée fixe
- (65) Vis d'indicateur d'angle d'inclinaison (coupes dans plan vertical)
- (66) Vis d'indicateur d'angle d'onglet (coupes dans plan horizontal)

a) Pas disponible dans les versions de certains pays.

Caractéristiques techniques

Scie à onglets radiale		GCM 254 D
Référence		3 601 M53 0..
Puissance absorbée nominale	W	1 800
Régime à vide	tr/min	4 800
Type de laser	nm	650
	mW	< 1
Classe laser		2
Poids	kg	17,9
Indice de protection		□/II
Dimensions admissibles des lames de scie		
Diamètre de lame de scie	mm	254
Épaisseur de corps de lame	mm	1,4-2,5
Largeur de coupe maxi	mm	3
Diamètre d'alésage	mm	25,4

Dimensions de pièces admissibles (maxi/mini) : (voir « Dimensions de pièce maximales admissibles », Page 37)

Les données indiquées sont valables pour une tension nominale [U] de 230 V. Elles peuvent varier lorsque la tension diffère de cette valeur et sur certaines versions destinées à certains pays.

L'appareil est conforme aux exigences de la norme CEI 61000-3-11 et est soumis à un raccordement conditionnel. Dans des conditions défavorables, l'appareil peut causer des fluctuations de tension passagères. Cet appareil a une impédance $Z_{\text{red}} = 0,094 \Omega$. L'utilisateur doit s'assurer que l'impédance Z_{max} au point de raccordement de l'appareil est telle que : $Z_{\text{red}} \geq Z_{\text{max}}$. Si la valeur de Z_{max} n'est pas connue, déterminez Z_{max} en concertation avec le fournisseur réseau ou l'autorité compétente.

Les valeurs peuvent varier selon le produit, les conditions d'utilisation et les conditions ambiantes. Pour plus d'informations, rendez-vous sur www.bosch-professional.com/wac.

Montage

- Évitez un démarrage accidentel de l'outil électroportatif. Pendant le montage et lors de travaux sur l'outil électroportatif, la fiche de secteur ne doit pas être connectée à l'alimentation en courant.

Accessoires fournis



Référez-vous pour cela à la représentation du contenu, dans les pages graphiques qui se trouvent au début de la notice d'utilisation.

Avant la première mise en service de l'outil électroportatif, vérifiez qu'il ne manque aucune des pièces indiquées ci-dessous :

- Scie à onglets radiale avec lame de scie montée
- Sac à poussière (46)
- Appui de pièce (17) (2 unités)
(Pas disponibles pour toutes les versions de pays.)
- Serre-joint (20)
- Clé 6 pans mâle (24)
- Triangle rapporteur (62)
- Rallonge de table de sciage (16) (2 unités)

Remarque : Assurez-vous que l'outil électroportatif n'est pas endommagé.

Avant d'utiliser l'outil électroportatif, assurez-vous que les dispositifs de protection ou pièces légèrement endommagées peuvent bien remplir leur fonction. Contrôlez si les pièces mobiles fonctionnent correctement sans coincer et assurez-vous qu'aucune pièce n'est endommagée. Pour garantir un fonctionnement correct, toutes les pièces doivent être correctement montées et en parfait état.

Faites réparer ou remplacer les dispositifs de protection et pièces endommagés dans un centre de service après-vente agréé.

Montage des pièces fournies

- Sortez avec précaution de l'emballage toutes les pièces fournies.
- Retirez intégralement le matériau d'emballage qui enveloppe l'outil électroportatif et les accessoires fournis.
- Pour vous faciliter le montage des pièces et éléments fournis, assurez-vous que l'outil électroportatif se trouve en position de transport.

Montage des rallonges de table de sciage (voir figure A1)

Pour un élargissement supplémentaire de la table de sciage, il est possible de monter des rallonges à gauche et à droite de l'outil électroportatif.

- Dévissez les vis de blocage (43) des rallonges avec un tournevis cruciforme.
- Basculez l'outil électroportatif.
- Glissez des deux côtés de l'outil électroportatif les rallonges (16) jusqu'en butée dans les orifices prévus.
- Revissez ensuite les vis de blocage (43) dans les rallonges.

Montage des appuis de pièce (voir figure A2)

Les appuis de pièce (17) peuvent être positionnés du côté gauche, du côté droit ou à l'avant de l'outil électroportatif. Le système d'emboîtement pratique offre de nombreuses possibilités d'extension vers les côtés ou vers l'avant (voir figure G).

- Emboîtez au gré des besoins les appuis de pièce (17) dans les logements (44) de l'outil électroportatif ou dans les logements (45) du second appui de pièce.

► **Ne portez jamais l'outil électroportatif en le saisissant au niveau des appuis de pièce. Pour transporter l'outil électroportatif, ne le saisissez qu'au niveau des dispositifs de transport.**

Montage stationnaire ou flexible

► **Pour pouvoir être utilisé en toute sécurité, l'outil électroportatif doit être installé sur une surface de travail plane et stable (par ex. un établi) avant son utilisation.**

Montage sur un plan de travail (voir figure B1–B2)

- À l'aide de vis appropriées, fixez l'outil électroportatif sur le plan de travail. Introduisez pour cela les vis dans les alésages (9).

ou

- Serrez les pieds de l'outil électroportatif sur la surface de travail à l'aide de serre-joints du commerce.

Montage sur un support de travail Bosch

Dotés de pieds réglables, les supports de travail GTA de Bosch confèrent à l'outil électroportatif une bonne stabilité, quelle que soit la planéité du sol. Ils disposent par ailleurs de tablettes d'appui pour soutenir les pièces longues.

- **Lisez attentivement les instructions et consignes de sécurité jointes au support de travail.** Le non-respect des instructions et consignes de sécurité peut entraîner un choc électrique, un incendie et/ou de graves blessures.
- **Montez correctement le support de travail avant d'installer l'outil électroportatif.** Un montage exact est primordial pour disposer d'une bonne stabilité.
- Installez l'outil électroportatif dans sa position de transport sur le support de travail.

Installation flexible (pas conseillé !) (voir figure B3)

Au cas où il n'est pas possible d'installer l'outil électroportatif sur une surface plane et stable, il convient d'utiliser pour le montage le pied anti-basculement.

- **Sans le pied anti-basculement, l'outil électroportatif n'est pas stable et peut se renverser surtout lors de sciages avec de grands angles d'onglet et/ou d'inclinaison.**
- Sortez ou rentrez le pied anti-basculement (31) en le tournant, jusqu'à ce que l'outil électroportatif se trouve dans une position stable sur la surface de travail.

Aspiration de poussières/de copeaux

Les poussières de matériaux tels que peintures contenant du plomb, certains bois, minéraux ou métaux, peuvent être nuisibles à la santé. Le contact avec les poussières ou leur inhalation peut entraîner des réactions allergiques et/ou des maladies respiratoires auprès de l'utilisateur ou des personnes se trouvant à proximité.

Certaines poussières telles que les poussières de chêne ou de hêtre sont considérées comme cancérigènes, surtout en

association avec des additifs pour le traitement du bois (chromate, lasure). Les matériaux contenant de l'amiante ne doivent être travaillés que par des personnes qualifiées.

- Si possible, utilisez un dispositif d'aspiration des poussières approprié au matériau.
- Veillez à bien aérer la zone de travail.
- Il est recommandé de porter un masque respiratoire avec un niveau de filtration de classe P2.

Respectez les règlements spécifiques aux matériaux à traiter en vigueur dans votre pays.

► **Évitez toute accumulation de poussières sur le lieu de travail.** Les poussières peuvent facilement s'enflammer.

L'aspiration des poussières/des copeaux peut être bloquée par de la poussière, des copeaux ou des fragments de pièce.

- Arrêtez l'outil électroportatif et débranchez le câble d'alimentation de la prise secteur.
- Attendez l'arrêt total de la lame de scie.
- Déterminez la cause du blocage et éliminez-la.

Aspiration avec sac à poussières (voir figure C)

Pour collecter facilement les copeaux, utilisez un sac à poussières (46).

- Positionnez le sac à poussières (46) sur l'éjecteur de copeaux (37).

Pendant le sciage, le sac à poussières ne doit jamais entrer en contact avec les parties mobiles de la scie.

Videz le sac à poussières à temps.

► **Contrôlez et nettoyez le sac à poussières après chaque utilisation.**

► **Pour écarter tout risque d'incendie, retirez le sac à poussières lorsque vous sciez de l'aluminium.**

Aspiration au moyen d'un aspirateur

Pour une aspiration plus efficace, il est également possible de raccorder un tuyau d'aspirateur (Ø 35 mm) à l'éjecteur de copeaux (37).

L'aspirateur doit être conçu pour le type de matériau à scier.

Pour l'aspiration de poussières particulièrement nocives, cancérigènes ou sèches, utilisez un aspirateur spécial.

Changement de la lame de scie (voir figure D1–D4)

► **Débranchez le câble d'alimentation de la prise avant d'effectuer des travaux quels qu'il soient sur l'outil électroportatif.**

► **Portez toujours des gants de protection pour monter la lame de scie.** En touchant la lame de scie, vous risquez de vous blesser.

N'utilisez que des lames de scie dont la vitesse de rotation maximale admissible est supérieure au régime à vide de votre outil électroportatif.

N'utilisez que des lames de scie conformes aux caractéristiques techniques indiquées dans la présente notice d'utilisation, qui ont été contrôlées selon la norme EN 847-1 et qui disposent du marquage correspondant.

N'utilisez que des lames de scie recommandées par le fabricant de cet outil électroportatif et adaptées au type de matériau à découper, de façon à éviter toute surchauffe des dents de scie.

Retrait de la lame de scie

- Placez l'outil électroportatif dans la position de travail.
- Basculez le capot de protection à mouvement pendulaire (8) vers l'arrière et maintenez-le dans cette position.
- Tournez la vis à six pans creux (47) avec la clé mâle pour vis à six pans creux (8 mm) (24) tout en actionnant le blocage de broche (33) jusqu'à ce qu'il s'enclenche.
- Maintenez le blocage de broche (33) enfoncé et tournez la vis (47) dans le sens horaire (filetage à gauche !).
- Retirez le flasque de serrage (48).
- Retirez la lame de scie (49).
- Faites redescendre lentement le capot de protection.

Mise en place de la lame de scie

- ▶ **Lors du montage, assurez-vous que le sens de coupe des dents (sens de la flèche sur la lame de scie) coïncide avec le sens de la flèche du capot de protection !**

Si nécessaire, nettoyez préalablement toutes les pièces à monter.

- Basculez le capot de protection à mouvement pendulaire (8) vers l'arrière et maintenez-le dans cette position.
- Placez la nouvelle lame de scie sur le flasque de serrage intérieur (50).
- Montez le flasque de serrage (48) et la vis à six pans creux (47). Appuyez sur le blocage de broche (33) jusqu'à ce qu'il s'enclenche et serrez la vis à six pans creux dans le sens antihoraire.
- Faites redescendre lentement le capot de protection.

Utilisation

- ▶ **Débranchez le câble d'alimentation de la prise avant d'effectuer des travaux quels qu'il soient sur l'outil électroportatif.**

Sécurité de transport (voir figure E)

La sécurité de transport (25) facilite le maniement de l'outil électroportatif lors du transport vers différents lieux d'utilisation.

Débloquez l'outil électroportatif (position travail)

- Poussez la poignée (5) du bras d'outil légèrement vers le bas afin de détendre la sécurité de transport (25).
- Tirez la sécurité de transport (25) complètement vers l'extérieur.
- Déplacez le bras de l'outil lentement vers le haut.

Bloquez l'outil électroportatif (position de transport)

- Desserrez la vis de serrage (1) si celle-ci bloque le dispositif de traction (2). Tirez le bras porte-outil entièrement

vers l'avant et resserrez la vis de verrouillage pour bloquer le dispositif de traction.

- Vissez la vis d'ajustage (23) complètement vers le haut.
- Pour bloquer la table de sciage (29), serrez le bouton de blocage (12).
- Basculez le bras d'outil vers le bas avec la poignée (5) jusqu'à ce que la sécurité de transport (25) puisse être enfoncée complètement.

Le bras d'outil se trouve alors correctement bloqué pour le transport.

Préparation du travail

Pour pouvoir réaliser des coupes précises, il est nécessaire après une utilisation intensive de contrôler et, le cas échéant, de corriger les réglages de base de l'outil électroportatif.

Pour ce faire, il faut de l'expérience et des outils spéciaux.

Il est conseillé de confier ce travail à un centre de service après-vente Bosch agréé. Il effectuera ce travail rapidement et de façon fiable.

Agrandissement de la table de sciage (voir figures F–G)

Les pièces longues et lourdes doivent être soutenues par des cales ou autre au niveau de leur extrémité libre.

La table de sciage peut être agrandie vers la gauche et vers la droite à l'aide des rallonges (16).

- Desserrez la vis de blocage (42).
- Tirez vers l'extérieur la rallonge (16) jusqu'à la longueur souhaitée.
- Pour bloquer la rallonge, resserrez la vis de blocage (42). Avec leur système d'emboîtement pratique, les appuis de pièce (17) offrent de nombreuses possibilités d'extension vers les côtés ou vers l'avant.

- Emboîtez au gré des besoins les appuis de pièce (17) dans les logements (44) de l'outil électroportatif ou dans les logements (45) du second appui de pièce.

- ▶ **Ne portez jamais l'outil électroportatif en le saisissant au niveau des appuis de pièce. Pour transporter l'outil électroportatif, ne le saisissez qu'au niveau des dispositifs de transport.**

Retrait de la butée fixe (voir figure H)

Pour effectuer des coupes biaisées dans un plan vertical, il faut retirer la butée réglable (19) gauche ou droite.

- Desserrez les vis papillons (38).
- Retirez la butée réglable (19).

Après avoir effectué les coupes biaisées souhaitées, réinsérez la butée réglable (19) et serrez les vis papillons (38).

Fixation de la pièce (voir figure I1–I3)

Pour travailler en toute sécurité, prenez soin de toujours bien serrer la pièce.

N'utilisez pas l'outil électroportatif pour tronçonner des pièces qui sont trop petites pour être serrées correctement.

Fixation à la verticale

- Pressez fermement la pièce contre les butées (18) et (19).

- Introduisez le serre-joint **(20)** fourni dans l'un des alésages prévus **(39)**.
- Desserrez la vis papillon **(51)** et ajustez le serre-joint pour qu'il maintienne bien la pièce. Resserrez la vis papillon.
- Bloquez la pièce en serrant fermement la tige filetée **(52)**.

Blocage horizontal

- Dévissez la vis papillon **(53)** et déboîtez le serre-joint.
- Introduisez à présent le serre-joint « réduit » **(20) (54)** dans l'un des alésages prévus **(28)**.
- Pressez fermement la pièce contre la table **(29)**.
- Bloquez la pièce en serrant fermement la tige filetée **(52)**.

Retrait d'une pièce

- Pour desserrer le serre-joint, tournez la tige filetée **(52)** dans le sens antihoraire.

Réglage d'angles d'onglet (dans le plan horizontal)

- Placez l'outil électroportatif dans la position de travail.

Réglage d'angles d'onglet standard (dans le plan horizontal) (voir figure J)

Pour permettre le réglage rapide et précis des angles d'onglet horizontaux les plus fréquemment utilisés des encoches sont pratiquées sur la table de sciage **(15)** :

Vers la gauche	Vers la droite
0°	
45°; 22,5°; 15°	15°; 22,5°; 45°

- Desserrez la poignée de blocage **(12)** (au cas où celui-ci serait serré).
- Poussez la touche de blocage **(11)** vers le bas. En agissant sur la poignée de blocage, tournez la table de sciage **(29)** vers la gauche ou la droite jusqu'à ce que l'indicateur d'angle **(14)** indique l'angle d'onglet souhaité.
- Relâchez la touche de blocage **(11)**. La table de sciage doit s'enclencher de manière perceptible dans l'encoche.
- Resserrez la poignée de blocage **(12)**.

Réglage d'angles d'onglet quelconques (coupes dans plan horizontal)

Il est possible de régler dans le plan horizontal des angles d'onglet de **47°** (côté gauche) à **52°** (côté droit).

- Desserrez la poignée de blocage **(12)** (au cas où celui-ci serait serré).
- Poussez la touche de blocage **(11)** vers le bas. En agissant sur la poignée de blocage, tournez la table de sciage **(29)** vers la gauche ou la droite jusqu'à ce que l'indicateur d'angle **(14)** indique l'angle d'onglet souhaité.
- Relâchez la touche de blocage **(11)**.
- Resserrez la poignée de blocage **(12)**.

Réglage d'angles d'inclinaison pour coupes biaises

Il est possible de régler des angles d'inclinaison de **45°** (vers la gauche) à **45°** (vers la droite).

La table de sciage comporte des butées permettant de sélectionner rapidement et avec précision les angles d'inclinaison les plus souvent utilisés (0°, 22,5°, 33,9° et 45°).

Réglage de la plage d'inclinaisons vers la gauche (dans le plan vertical)

- Retirez la butée réglable de gauche **(19)**.
- Faites pivoter la butée de gauche **(41)** jusqu'à ce que l'angle d'inclinaison standard de 45° s'enclenche au niveau de la flèche de marquage. La plage de pivotement vers la gauche complète est alors à disposition.
- Tirez la touche de blocage **(13)** vers le haut.
- En agissant sur la poignée **(5)**, basculez le bras d'outil vers la gauche jusqu'à ce que l'indicateur d'angle indique l'angle d'inclinaison souhaité.
- Maintenez le bras d'outil dans cette position et repoussez la touche de blocage **(13)** vers le bas.

Réglage de la plage d'inclinaisons vers la droite (dans le plan vertical)

- Retirez la butée réglable de droite. **(19)**
- Faites pivoter la butée de droite **(41)** jusqu'à ce que l'angle d'inclinaison standard de 45° s'enclenche au niveau de la flèche de marquage. La plage de pivotement vers la droite complète est alors à disposition.
- Tirez la touche de blocage **(13)** vers le haut.
- Tournez quelque peu le bouton de réglage **(21)** vers la gauche. En agissant sur la poignée **(5)**, basculez le bras d'outil vers la droite jusqu'à ce que l'indicateur d'angle indique l'angle d'inclinaison souhaité.
- Maintenez le bras d'outil dans cette position et repoussez la touche de blocage **(13)** vers le bas.

Réglage d'angles d'inclinaison standards (voir figure K)

- Retirez la butée réglable de gauche/droite **(19)**.
- Tirez la touche de blocage **(13)** vers le haut.

Angle d'inclinaison standard de 0° :

- Tournez légèrement le bouton de réglage **(21)** vers la gauche et basculez le bras d'outil vers la droite au-dessus de la position 0°, jusqu'à ce qu'il s'enclenche de manière audible dans la position 0°.
- Repoussez la touche de blocage **(13)** vers le bas.

Angles d'inclinaison standards de 45°, 33,9° et 22,5° :

- Faites pivoter la butée de gauche ou de droite **(41)** jusqu'à ce que l'angle d'inclinaison standard souhaité s'enclenche au niveau de la flèche de repérage.
- Basculez le bras d'outil jusqu'en butée vers la gauche. *ou bien*
- Tournez quelque peu le bouton de réglage **(21)** vers la gauche. En agissant sur la poignée **(5)**, basculez le bras d'outil jusqu'en butée vers la droite.
- Repoussez la touche de blocage **(13)** vers le bas.

Mise en marche

- ▶ **Tenez compte de la tension secteur !** La tension du secteur doit correspondre aux indications se trouvant sur la plaque signalétique de l'outil électroportatif.
- ▶ **Avant de scier, serrez la poignée de blocage (12) et poussez la touche de blocage (13) vers le bas.** La lame de scie risque sinon de rester coincée dans la pièce.

Mise en marche (voir figure L)

- Pour **mettre en marche** l'outil électroportatif, appuyez **d'abord** sur le verrouillage d'enclenchement (6). Actionnez **ensuite** à fond l'interrupteur Marche/Arrêt (35) et maintenez-le enfoncé.

Remarque : Pour des raisons de sécurité, il n'est pas possible de verrouiller l'interrupteur Marche/Arrêt (35), il faut le maintenir actionné pendant tout le travail de sciage.

Arrêt

- Pour **arrêter** l'outil électroportatif, relâchez l'interrupteur Marche/Arrêt (35).

Sciage

Indications générales pour le sciage

- ▶ **Avant de scier, serrez la poignée de blocage (12) et poussez la touche de blocage (13) vers le bas.** La lame de scie risque sinon de rester coincée dans la pièce.
- ▶ **Quel que soit le type de coupe à effectuer, assurez-vous d'abord que la lame de scie ne peut en aucun cas toucher la butée réglable, les serre-joints ou d'autres pièces de l'outil électroportatif. Enlevez si nécessaire les butées auxiliaires qui gênent ou modifiez leur position.**

Protégez la lame de scie contre les chocs et les coups. N'exposez pas la lame de scie à une pression latérale.

Ne sciez que les matériaux pour lesquels la scie est conçue (voir la section Utilisation conforme).

Ne travaillez pas des pièces déformées. Le côté de la pièce qui va être appliqué contre la butée réglable doit toujours être droit.

Les pièces longues et lourdes doivent être soutenues par des cales ou autre au niveau de leur extrémité libre.

Assurez-vous que le capot de protection à mouvement pendulaire fonctionne correctement et qu'il puisse bouger librement. Quand le bras d'outil est déplacé vers le bas, le capot de protection à mouvement pendulaire doit s'ouvrir. Quand le bras de l'outil est guidé vers le haut, le capot de protection à mouvement pendulaire doit se refermer au-dessus de la lame et se bloquer dans la position supérieure du bras de l'outil.

Position de l'utilisateur (voir figure M)

- ▶ **Ne vous placez jamais devant l'outil électroportatif dans le prolongement de la lame mais toujours de côté.** Vous ne risquez ainsi pas d'être blessé en cas de rebond intempestif.
- Maintenez les mains, doigts ou bras éloignés de la lame de scie en rotation.

- Ne croisez pas vos bras devant le bras d'outil.

Sciage avec mouvement radial

- Pour effectuer des coupes avec le dispositif radial (2) (grandes pièces), desserrez la vis de serrage (1) (au cas où celle-ci serait serrée).
- Ajustez l'angle d'onglet et/ou l'angle d'inclinaison souhaité(s).
- Pressez fermement la pièce contre les butées (18) et (19).
- Serrez la pièce comme l'exigent ses dimensions.
- Éloignez le bras d'outil de la butée (18) jusqu'à ce que la lame de scie se trouve devant la pièce.
- Mettez l'outil électroportatif en marche.
- A l'aide de la poignée (5), poussez lentement le bras d'outil vers le bas.
- Poussez ensuite le bras d'outil en direction des butées (18) et (19) et sciez complètement la pièce avec une avance régulière.
- Arrêtez l'outil électroportatif et attendez l'immobilisation complète de la lame de scie.
- Déplacez le bras d'outil lentement vers le haut.

Sciage sans mouvement radial (coupes perpendiculaires) (voir figure N)

- Pour effectuer des coupes sans mouvement radial (petites pièces), desserrez la vis de serrage (1) (au cas où celle-ci serait serrée). Poussez le bras d'outil à fond en direction de la butée (18) et resserrez la vis de serrage (1).
- Ajustez l'angle d'onglet et/ou l'angle d'inclinaison souhaité(s).
- Pressez fermement la pièce contre les butées (18) et (19).
- Serrez la pièce comme l'exigent ses dimensions.
- Mettez l'outil électroportatif en marche.
- A l'aide de la poignée (5), déplacez lentement le bras d'outil vers le bas.
- Sciez la pièce avec une avance régulière.
- Arrêtez l'outil électroportatif et attendez l'immobilisation complète de la lame de scie.
- Déplacez le bras d'outil lentement vers le haut.

Instructions d'utilisation

Marquage de la ligne de coupe (voir figure O)

Un faisceau laser matérialise la ligne de coupe sur la pièce. Ceci vous permet de positionner la pièce avec précision sans devoir ouvrir le capot de protection pendulaire.

- Pour activer le faisceau laser, actionnez l'interrupteur (36).
- Orientez le marquage sur la pièce de façon à ce qu'il soit aligné avec le centre de la ligne laser.

Remarque : Assurez-vous avant chaque découpe que la ligne de coupe est correctement matérialisée par le faisceau laser. Le faisceau laser risque en effet de se déplacer quelque peu suite par ex. aux vibrations générées lors d'une utilisation intensive.

Dimensions de pièce maximales admissibles

Dimensions **maximales** des pièces :

Angle d'onglet (coupes dans plan horizontal)	Angle d'inclinaison (coupes dans plan vertical)	Hauteur x largeur [mm]
0°	0°	90 x 310
45°	0°	90 x 210
0°	45° (vers la gauche)	45 x 310
45°	45° (vers la gauche)	45 x 210
0°	45° (vers la droite)	35 x 310
45°	45° (vers la droite)	35 x 210

Dimensions minimales des pièces (= toutes les pièces qui peuvent être serrées au moyen du serre-joint (20) fourni, à gauche ou à droite de la lame) : 130 x 50 mm (longueur x largeur)

Profondeur de coupe maximale (0°/0°) : 90 mm

Sciage de pièces à la même longueur (voir figure P)

Pour scier facilement des pièces à la même longueur, il est recommandé d'utiliser la butée longitudinale (26).

- Desserrez la vis de serrage (57) et déplacez la butée longitudinale (26) dans le rail de guidage (58) jusqu'à obtenir la longueur souhaitée.
- Resserrez la vis de serrage (57).

Pièces longues :

- Desserrez la vis papillon (59) et tirez le rail de guidage (58) jusqu'en butée vers l'extérieur.
- Resserrez la vis papillon (59).
- Réglez la butée longitudinale (26) à la longueur souhaitée.

Sciage sans butée longitudinale :

- Desserrez la vis de serrage (57) et déplacez la butée longitudinale (26) dans le rail de guidage (58) jusqu'en butée vers l'extérieur.
- Tournez la butée longitudinale de 90° de façon à ce qu'elle soit alignée avec la butée fixe (18).
- Resserrez la vis de serrage (57).

Réglage de la butée de profondeur (sciage de rainures) (voir figure Q)

La position de la butée de profondeur doit être modifiée si vous voulez scier une rainure.

- Basculez la butée de profondeur (22) vers l'extérieur.
- Basculez le bras d'outil dans la position souhaitée en agissant sur la poignée (5).
- Tournez la vis d'ajustage (23) jusqu'à ce que l'extrémité de la vis touche la butée de profondeur (22).
- Déplacez le bras de l'outil lentement vers le haut.

Pièces spéciales

Une attention particulière doit être portée aux pièces incurvées ou rondes. Il est indispensable de bien les fixer pour qu'elles ne glissent pas. Le long de la ligne de coupe, il ne

doit apparaître aucun espace entre la pièce, la butée et la table de sciage.

Confectionnez si nécessaire des fixations spéciales.

Remplacement des pare-éclats (voir figure R)

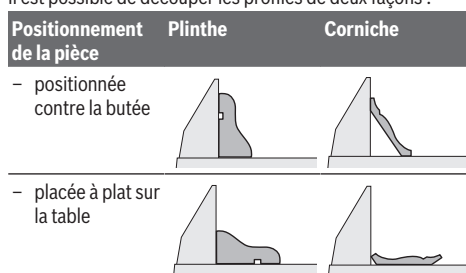
Le pare-éclats (10) peut s'user après une utilisation prolongée de l'outil électroportatif.

Remplacez le pare-éclats quand il est défectueux.

- Placez l'outil électroportatif dans la position de travail.
- Dévissez les vis (60) avec un tournevis cruciforme et retirez l'ancien pare-éclats (10).
- Insérez le nouveau pare-éclats puis resserrez les vis de fixation (60).

Travailler les liteaux profilés

Il est possible de découper les profilés de deux façons :



Les coupes peuvent par ailleurs être effectuées avec ou sans mouvement radial suivant la largeur du profilé.

Après avoir réglé un angle (angle d'onglet et/ou angle d'inclinaison), effectuez toujours d'abord un essai sur une chute de bois.

Ajustage du laser

Remarque : Pour tester le fonctionnement du laser, l'outil électroportatif doit être connecté à l'alimentation électrique.

- **Pendant l'ajustage du laser (par ex. lors du déplacement du bras d'outil), n'actionnez jamais l'interrupteur Marche/Arrêt.** Une mise en marche intempestive de l'outil électroportatif peut causer de graves blessures.
- Placez l'outil électroportatif dans la position de travail.
- Tournez la table de sciage (29) jusqu'à l'encoche (15) 0°. Le levier doit s'encliqueter de manière perceptible dans l'encoche.

Pour pouvoir réaliser des coupes précises, contrôlez les faisceaux laser après chaque utilisation intensive et les réajuster si nécessaire.

Cette opération nécessite une certaine pratique et un outil spécial.

Il est conseillé de confier ce travail à un centre de service après-vente Bosch agréé. Il effectuera ce travail rapidement et de façon fiable.

Contrôle (voir figure S1)

- Tracez une ligne de coupe droite sur une pièce.
- À l'aide de la poignée (5), déplacez lentement le bras d'outil vers le bas.

- Orientez la pièce de façon à ce que les dents de la lame coïncident avec la ligne de coupe.
- Maintenez la pièce dans cette position et déplacez lentement le bras d'outil vers le haut.
- Serrez la pièce.
- Activez le faisceau laser avec l'interrupteur (36).

Le faisceau laser doit suivre parfaitement la ligne de coupe sur toute la longueur, même quand le bras d'outil est déplacé vers le bas.

Réglage (voir figure S2)

- À l'aide d'un tournevis approprié, tournez la vis de réglage (61) jusqu'à ce que le faisceau laser coïncide parfaitement avec la ligne de coupe sur toute la longueur.

Une rotation dans le sens antihoraire déplace le faisceau laser de la gauche vers la droite, une rotation dans le sens horaire déplace le faisceau laser de la droite vers la gauche.

Contrôle et correction des réglages de base

Pour pouvoir réaliser des coupes précises, il est nécessaire après une utilisation intensive de contrôler et, le cas échéant, de corriger les réglages de base de l'outil électroportatif.

Pour ce faire, il faut de l'expérience et des outils spéciaux.

Il est conseillé de confier ce travail à un centre de service après-vente Bosch agréé. Il effectuera ce travail rapidement et de façon fiable.

Réglage de l'angle d'inclinaison standard de 0°

- Placez l'outil électroportatif dans la position de travail.
- Tournez la table de sciage (29) jusqu'à l'encoche (15) 0°. Le levier doit s'enclencher de manière perceptible dans l'encoche.
- Tirez la touche de blocage (13) vers le haut.
- Tournez légèrement le bouton de réglage (21) vers la gauche et basculez le bras d'outil vers la droite au-dessus de la position 0°, jusqu'à ce qu'il s'enclenche de manière audible dans la position 0°.
- Repoussez la touche de blocage (13) vers le bas.

Contrôle (voir figure T1)

- Réglez le côté du triangle rapporteur (62) avec l'angle de 90° bien à plat contre la lame de scie (49) entre la table de sciage (29) et la lame de scie sur la table de sciage (29).

Le triangle rapporteur doit affleurer avec la lame de scie (49) sur toute sa longueur.

Réglage (voir figure T2)

- Desserrez le contre-écrou de la vis de butée (63) à l'aide d'une clé polygonale ou d'une clé plate du commerce.
- Vissez ou dévissez la vis de butée (63) jusqu'à ce que le côté du triangle rapporteur (62) affleure avec la lame de scie sur toute sa longueur.
- Repoussez la touche de blocage (13) vers le bas.
- Resserrez ensuite le contre-écrou de la vis de butée (63).

Si, après le réglage, l'indicateur d'angle (55) n'est pas aligné avec le repère 0° de l'échelle graduée (56), desserrez la vis (65) à l'aide d'un tournevis cruciforme du commerce et

faites coïncider l'indicateur d'angle avec le repère 0° (voir la figure W).

Réglage de l'angle d'inclinaison standard de 45° (vers la droite)

- Placez l'outil électroportatif dans la position de travail.
- Tournez la table de sciage (29) jusqu'à l'encoche (15) 0°. Le levier doit s'enclencher de manière perceptible dans l'encoche.
- Retirez la butée réglable de droite (19).
- Faites pivoter la butée de droite (41) jusqu'à ce que l'angle d'inclinaison standard de 45° s'enclenche au niveau de la flèche de marquage.
- Tirez la touche de blocage (13) vers le haut.
- Tournez le bouton de réglage (21) vers la gauche et basculez le bras d'outil jusqu'en butée vers la droite en agissant sur la poignée (5).

Contrôle (voir figure U1)

- Réglez le côté du triangle rapporteur (62) avec l'angle de 45° bien à plat contre la lame de scie (49) entre la table de sciage (29) et le côté droit de la lame de scie sur la table de sciage.

Le triangle rapporteur doit affleurer avec la lame de scie (49) sur toute sa longueur.

Réglage (voir figure U2)

- Desserrez le contre-écrou de la vis de butée (40) à l'aide d'une clé polygonale ou d'une clé plate du commerce.
- Vissez ou dévissez la vis de butée (40) jusqu'à ce que le côté du triangle rapporteur (62) affleure avec la lame de scie sur toute sa longueur.
- Repoussez la touche de blocage (13) vers le bas.
- Resserrez ensuite le contre-écrou de la vis de butée (40).

Si, après le réglage, l'indicateur d'angle (55) n'est pas aligné avec le repère 45° de l'échelle graduée (56), commencez par reconstrôler si l'angle d'inclinaison et l'indicateur d'angle sont bien réglés à 0°. Réeffectuez ensuite le réglage de l'angle d'inclinaison de 45°.

Ajustage de la butée réglable

- Placez l'outil électroportatif dans la position de transport.
- Desserrez la poignée de blocage (12) (au cas où celui-ci serait serré).
- Poussez la touche de blocage (11) vers le bas et tournez la table de sciage (29) jusqu'à l'encoche (15) pour 0°.
- Relâchez la touche de blocage (11). La table de sciage doit s'enclencher de manière perceptible dans l'encoche.
- Retirez les butées réglables (19).

Contrôle (voir figure V1)

- (62) Réglez le côté du triangle rapporteur avec l'angle de 90° bien à plat contre la lame de scie (49) entre la butée fixe (18) et la lame de scie sur la table de sciage (29).

Le triangle rapporteur doit affleurer avec la butée fixe sur toute sa longueur.

Réglage (voir figure V2)

- Desserrez toutes les vis à six pans creux (64) à l'aide de la clé 6 pans mâle fournie (24).

- Tournez la butée réglable (18) jusqu'à ce que le triangle rapporteur affleure sur toute la longueur.
- Resserrez les vis.

Alignement de l'indicateur d'angle (coupes dans plan vertical) (voir figure W)

- Tirez la touche de blocage (13) vers le haut.
- Tournez légèrement le bouton de réglage (21) vers la gauche et basculez le bras d'outil vers la droite au-dessus de la position 0°, jusqu'à ce qu'il s'enclenche de manière audible dans la position 0°.
- Repoussez la touche de blocage (13) vers le bas.

Contrôle

L'indicateur d'angle (55) et le marquage 0° de l'échelle graduée (56) doivent être alignés.

Réglage

- Desserrez la vis (65) à l'aide d'un tournevis cruciforme et alignez l'indicateur d'angle avec le marquage 0°.
- Resserrez la vis.

Alignement de l'indicateur d'angle (angles d'onglet) (voir figure X)

- Placez l'outil électroportatif dans la position de travail.
- Tournez la table de sciage (29) jusqu'à l'encoche (15) 0°. Le levier doit s'encliqueter de manière perceptible dans l'encoche.

Contrôle

L'indicateur d'angle (14) et le marquage 0° de l'échelle graduée (30) doivent être alignés.

Réglage

- Desserrez la vis (66) à l'aide d'un tournevis cruciforme et alignez l'indicateur d'angle avec le marquage 0°.
- Resserrez la vis.

Transport de l'outil électroportatif (voir figure Y)

Avant de transporter l'outil électroportatif, procédez comme suit :

- Desserrez la vis de blocage (1) (au cas où celle-ci serait serrée). Tirez le bras d'outil complètement vers l'avant et resserrez la vis de serrage.
- Assurez-vous que la butée de profondeur (22) est complètement poussée vers l'intérieur et que la vis d'ajustage (23) peut passer à travers l'évidement sans toucher la butée de profondeur lors du déplacement du bras d'outil.
- Placez l'outil électroportatif dans la position de transport.
- Enlevez tous les accessoires qui ne peuvent pas être fixés solidement à l'outil électroportatif et qui risquent donc de tomber. Transportez, si possible, les lames de scie encore inutilisées dans un conteneur fermé.
- Portez l'outil électroportatif par la poignée de transport (4) ou par les poignées encastées (27) placées de chaque côté de la table.

- **Pour transporter l'outil électroportatif, ne le saisissez qu'au niveau des dispositifs de transport, jamais au niveau des dispositifs de protection, rallonges ou appuis de pièce.**

Entretien et Service après-vente

Nettoyage et entretien

- **Débranchez le câble d'alimentation de la prise avant d'effectuer des travaux quels qu'il soient sur l'outil électroportatif.**
- **Tenez toujours propres l'outil électroportatif ainsi que les fentes de ventilation afin d'obtenir un travail impeccable et sûr.**

Dans le cas où il s'avère nécessaire de remplacer le câble d'alimentation, confiez le remplacement à **Bosch** ou une station de Service Après-Vente agréée pour outillage **Bosch** afin de ne pas compromettre la sécurité.

Le capot de protection à mouvement pendulaire doit toujours pouvoir bouger librement et fermer automatiquement. Veillez pour cela à ce que le pourtour du capot de protection à mouvement pendulaire reste propre.

Après chaque opération de travail, enlevez les poussières et les copeaux à l'aide d'un pinceau ou en soufflant avec de l'air comprimé.

Nettoyez régulièrement le galet coulissant (32).

Mesures visant à réduire le niveau sonore

Mesures prises par le fabricant :

- Démarrage progressif
- Fourniture avec une lame de scie spécialement conçue pour une réduction du niveau sonore

Mesures prises par l'utilisateur :

- Montage permettant une réduction des vibrations sur une surface de travail stable
- Utilisation de lames de scie avec fonctions permettant de réduire le niveau sonore
- Nettoyage régulier de la lame de scie et de l'outil électroportatif

Service après-vente et conseil utilisateurs

Notre Service après-vente répond à vos questions concernant la réparation et l'entretien de votre produit et les pièces de rechange. Vous trouverez des vues éclatées et des informations sur les pièces de rechange sur le site :

www.bosch-pt.com

L'équipe de conseil utilisateurs Bosch se tient à votre disposition pour répondre à vos questions concernant nos produits et leurs accessoires.

Pour toute demande de renseignement ou toute commande de pièces de rechange, précisez impérativement la référence à 10 chiffres figurant sur l'étiquette signalétique du produit.

Maroc

Robert Bosch Morocco SARL
53, Rue Lieutenant Mahroud Mohamed
20300 Casablanca
Tel. : +212 5 29 31 43 27
E-Mail : sav.outillage@ma.bosch.com

Vous trouverez d'autres adresses du service après-vente sous :

www.bosch-pt.com/serviceaddresses

Élimination des déchets

Les outils électroportatifs, ainsi que leurs accessoires et emballages, doivent pouvoir suivre chacun une voie de recyclage appropriée.



Ne jetez pas les outils électroportatifs avec les ordures ménagères !

Português

Instruções de segurança

Indicações gerais de advertência para ferramentas elétricas

AVISO

Devem ser lidas todas as indicações de segurança,

instruções, ilustrações e especificações desta ferramenta eléctrica. O desrespeito das instruções apresentadas abaixo poderá resultar em choque eléctrico, incêndio e/ou ferimentos graves.

Guarde bem todas as advertências e instruções para futura referência.

O termo "ferramenta eléctrica" utilizado a seguir nas indicações de advertência, refere-se a ferramentas eléctricas operadas com corrente de rede (com cabo de rede) e a ferramentas eléctricas operadas com acumulador (sem cabo de rede).

Segurança da área de trabalho

- ▶ **Mantenha a sua área de trabalho sempre limpa e bem iluminada.** Desordem ou áreas de trabalho insuficientemente iluminadas podem levar a acidentes.
- ▶ **Não trabalhar com a ferramenta eléctrica em áreas com risco de explosão, nas quais se encontrem líquidos, gases ou pós inflamáveis.** Ferramentas eléctricas produzem faíscas, que podem inflamar pós ou vapores.
- ▶ **Manter crianças e outras pessoas afastadas da ferramenta eléctrica durante a utilização.** No caso de distração é possível que perca o controlo sobre o aparelho.

Segurança eléctrica

- ▶ **A ficha de conexão da ferramenta eléctrica deve caber na tomada. A ficha não deve ser modificada de maneira alguma. Não utilizar uma ficha de adaptação junto com ferramentas eléctricas protegidas por**

ligação à terra. Fichas não modificadas e tomadas apropriadas reduzem o risco de um choque eléctrico.

- ▶ **Evitar que o corpo possa entrar em contacto com superfícies ligadas à terra, como tubos, aquecimentos, fogões e frigoríficos.** Há um risco elevado devido a choque eléctrico, se o corpo estiver ligado à terra.
- ▶ **Manter o aparelho afastado de chuva ou humidade.** A infiltração de água numa ferramenta eléctrica aumenta o risco de choque eléctrico.
- ▶ **Não deverá utilizar o cabo para outras finalidades. Nunca utilizar o cabo para transportar a ferramenta eléctrica, para pendurá-la, nem para puxar a ficha da tomada. Manter o cabo afastado do calor, do óleo, de arestas afiadas ou de peças em movimento.** Cabos danificados ou emaranhados aumentam o risco de um choque eléctrico.
- ▶ **Se trabalhar com uma ferramenta eléctrica ao ar livre, só deverá utilizar cabos de extensão apropriados para áreas exteriores.** A utilização de um cabo de extensão apropriado para áreas exteriores reduz o risco de um choque eléctrico.
- ▶ **Se não for possível evitar o funcionamento da ferramenta eléctrica em áreas húmidas, deverá ser utilizado um disjuntor de corrente de avaria.** A utilização de um disjuntor de corrente de avaria reduz o risco de um choque eléctrico.

Segurança de pessoas

- ▶ **Esteja atento, observe o que está a fazer e tenha prudência ao trabalhar com a ferramenta eléctrica. Não utilizar uma ferramenta eléctrica quando estiver fatigado ou sob a influência de drogas, álcool ou medicamentos.** Um momento de descuido ao utilizar a ferramenta eléctrica, pode levar a lesões graves.
- ▶ **Utilizar equipamento de protecção individual. Utilizar sempre óculos de protecção.** A utilização de equipamento de protecção pessoal, como máscara de protecção contra pó, sapatos de segurança antiderrapantes, capacete de segurança ou protecção auricular, de acordo com o tipo e aplicação da ferramenta eléctrica, reduz o risco de lesões.
- ▶ **Evitar uma colocação em funcionamento involuntária. Assegure-se de que a ferramenta eléctrica esteja desligada, antes de conectá-la à alimentação de rede e/ou ao acumulador, antes de levantá-la ou de transportá-la.** Se tiver o dedo no interruptor ao transportar a ferramenta eléctrica ou se o aparelho for conectado à alimentação de rede enquanto estiver ligado, poderão ocorrer acidentes.
- ▶ **Remover ferramentas de ajuste ou chaves de boca antes de ligar a ferramenta eléctrica.** Uma ferramenta ou chave que se encontre numa parte do aparelho em movimento pode levar a lesões.
- ▶ **Evite uma posição anormal. Mantenha uma posição firme e mantenha sempre o equilíbrio.** Desta forma é

mais fácil controlar a ferramenta eléctrica em situações inesperadas.

- ▶ **Usar roupa apropriada. Não usar roupa larga nem jóias. Mantenha os cabelos e roupas afastados de peças em movimento.** Roupas frouxas, cabelos longos ou jóias podem ser agarrados por peças em movimento.
- ▶ **Se for possível montar dispositivos de aspiração ou de recolha, assegure-se de que estejam conectados e utilizados correctamente.** A utilização de uma aspiração de pó pode reduzir o perigo devido ao pó.
- ▶ **Não deixe que a familiaridade resultante de uma utilização frequente de ferramentas permita que você se torne complacente e ignore os princípios de segurança da ferramenta.** Uma acção descuidada pode causar ferimentos graves numa fracção de segundo.

Utilização e manuseio cuidadoso de ferramentas eléctricas

- ▶ **Não sobrecarregue a ferramenta eléctrica. Utilize a ferramenta eléctrica apropriada para o seu trabalho.** É melhor e mais seguro trabalhar com a ferramenta eléctrica apropriada na área de potência indicada.
- ▶ **Não utilize uma ferramenta eléctrica com um interruptor defeituoso.** Uma ferramenta eléctrica que não pode mais ser ligada nem desligada, é perigosa e deve ser reparada.
- ▶ **Puxar a ficha da tomada e/ou remover o acumulador, se amovível, antes de executar ajustes na ferramenta eléctrica, de substituir acessórios ou de guardar as ferramentas eléctricas.** Esta medida de segurança evita o arranque involuntário da ferramenta eléctrica.
- ▶ **Guardar ferramentas eléctricas não utilizadas fora do alcance de crianças e não permitir que as pessoas que não estejam familiarizadas com o aparelho ou que não tenham lido estas instruções utilizem o aparelho.** Ferramentas eléctricas são perigosas se forem utilizadas por pessoas inexperientes.
- ▶ **Tratar a ferramenta eléctrica e os acessórios com cuidado. Controlar se as partes móveis do aparelho funcionam perfeitamente e não emperram, e se há peças quebradas ou danificadas que possam prejudicar o funcionamento da ferramenta eléctrica. Permitir que peças danificadas sejam reparadas antes da utilização.** Muitos acidentes têm como causa, a manutenção insuficiente de ferramentas eléctricas.
- ▶ **Manter as ferramentas de corte afiadas e limpas.** Ferramentas de corte cuidadosamente tratadas e com cantos de corte afiados emperram com menos frequência e podem ser conduzidas com maior facilidade.
- ▶ **Utilizar a ferramenta eléctrica, acessórios, ferramentas de aplicação, etc. conforme estas instruções. Considerar as condições de trabalho e a tarefa a ser executada.** A utilização de ferramentas eléctricas para outras tarefas a não ser as aplicações previstas, pode levar a situações perigosas.
- ▶ **Mantenha os punhos e as superfícies de agarrar secas, limpas e livres de óleo e massa consistente.** Punhos e

superfícies de agarrar escorregadias não permitem o manuseio e controle seguros da ferramenta em situações inesperadas.

Serviço

- ▶ **Só permita que o seu aparelho seja reparado por pessoal especializado e qualificado e só com peças de reposição originais.** Desta forma é assegurado o funcionamento seguro do aparelho.

Indicações de segurança para serras de meia-esquadria

- ▶ **As serras de meia-esquadria destinam-se ao corte de produtos de madeira ou semelhantes a madeira e não podem ser usadas com discos abrasivos de corte para cortar material ferroso como barras, varas, hastes, etc.** O pó abrasivo causa o emperramento de peças móveis como, p. ex., a proteção inferior. As faíscas resultantes do corte abrasivo queimam a proteção inferior, o entalhe ou outras partes de plástico.
- ▶ **Sempre que possível, use grampos para segurar a peça de trabalho. Ao segurar a peça de trabalho com a mão, mantenha sempre a mão pelo menos 100 mm afastada de cada lado do disco de serra. Não utilize esta serra para cortar peças que são demasiado pequenas para serem presas de forma segura com grampos ou com a mão.** Se a sua mão estiver demasiado próxima do disco de serra, existe um risco elevado de ferimentos através do contacto com disco de serra.
- ▶ **A peça de trabalho tem de estar imóvel e fixa ou ser pressionada contra o batente e a mesa. Não empurre a peça de trabalho para o disco de serra, nem nunca corte em modo “mãos livres”.** As peças de trabalho soltas ou móveis podem ser projetadas a alta velocidade e causar ferimentos.
- ▶ **Empurre a serra através da peça de trabalho. Não puxe a serra através da peça de trabalho. Para fazer um corte, levante a cabeça da serra e puxe-a por cima da peça de trabalho sem a cortar, ligue o motor, pressione a cabeça da serra para baixo e empurre a serra através da peça de trabalho.** Ao efetuar um corte a puxar, existe o perigo de o disco de serra subir a peça de trabalho e fazer com que a unidade do disco de serra seja projetada com violência contra o utilizador.
- ▶ **Nunca passe a mão sobre a linha de corte pretendida, nem atrás do disco de serra.** Segurar a peça de trabalho com as “mãos cruzadas”, ou seja, segurar a peça de trabalho à direita do disco de corte com a mão esquerda ou vice-versa é muito perigoso.
- ▶ **Nunca introduza as mãos atrás do batente, nem despreze a distância de segurança de 100 mm entre a mão e o disco de serra em rotação (aplica-se a ambos os lados do disco de serra, p. ex. para retirar aparas de madeira).** A proximidade entre o disco de serra em rotação e a sua mão pode não ser tão perceptível e pode magoar-se seriamente.

- ▶ **Inspeccione a peça de trabalho antes de efetuar o corte. Se a peça de trabalho estiver arqueada ou empenada, fixe-a com a face arqueada virada para o batente. Certifique-se sempre de que não existe uma folga entre a peça de trabalho, o batente e a mesa ao longo da linha de corte.** As peças de trabalho arqueadas ou empenadas podem virar-se ou emperrar e causar o bloqueio do disco de corte. A peça de trabalho deve estar livre de pregos e objetos estranhos.
- ▶ **Utilize a serra só depois de a mesa estar livre de ferramentas, aparas, etc., apenas pode estar a peça de trabalho em cima da mesa.** Pequenos desperdícios, peças de madeira soltas ou outros objetos que entrem em contacto com o disco de serra podem ser projetados a alta velocidade.
- ▶ **Corte apenas uma peça de trabalho de cada vez.** Não é possível fixar ou segurar adequadamente peças de trabalho empilhadas e as mesmas podem causar um bloqueio do disco ou deslocar-se durante o corte.
- ▶ **Certifique-se de que a serra de meia-esquadria está montada ou colocada sobre uma superfície de trabalho nivelada e estável antes de a utilizar.** Uma superfície de trabalho nivelada e estável reduz o risco de a serra de meia-esquadria se tornar instável.
- ▶ **Planeie o seu trabalho. Sempre que alterar a inclinação do disco de serra ou o ângulo de meia-esquadria, certifique-se de que o batente ajustável está ajustado corretamente para apoiar a peça de trabalho e de que este não interfere com o disco ou com o sistema de proteção.** Sem ligar a ferramenta e sem peça de trabalho sobre a mesa, mova o disco de serra simulando um corte completo para assegurar que não irá haver qualquer interferência ou perigo de cortar o batente.
- ▶ **No caso de peças de trabalho mais largas ou compridas do que a mesa, providencie um suporte adequado através de extensões ou cavaletes, etc.** As peças de trabalho mais largas ou compridas do que a mesa da serra de meia-esquadria podem tombar quando não estão bem apoiadas. Se a peça cortada ou a peça de trabalho tombar, ela pode levantar a proteção inferior ou ser projetada descontroladamente pelo disco de serra.
- ▶ **Não peça a outra pessoa para servir de extensão de mesa ou de suporte adicional.** Um suporte instável para a peça de trabalho pode bloquear o disco de serra ou o deslocamento da peça de trabalho durante a operação de corte, fazendo com que o operador e o ajudante sejam puxados para o disco.
- ▶ **A peça de corte não pode em qualquer circunstância ser entalada ou pressionada contra o disco de serra em rotação.** Em caso de pouco espaço, p. ex. ao usar batentes longitudinais, a peça cortada pode ficar entalada contra o disco e ser projetada com violência.
- ▶ **Utilize sempre um grampo ou um dispositivo de fixação adequado para apoiar adequadamente material redondo como varas e tubos.** As varas têm tendência a rolar durante o corte, fazendo com que o disco "emperre" e puxe a peça com a sua mão para o disco.
- ▶ **Deixe que o disco alcance a velocidade plena antes de começar a cortar a peça de trabalho.** Tal irá reduzir o risco de projeção da peça de trabalho.
- ▶ **Se a peça de trabalho ou o disco ficarem encravados, desligue a serra de meia-esquadria. Espere até que todas as partes móveis parem e desligue a ficha da tomada e/ou retire o acumulador. Depois tente libertar o material encravado.** Continuar a serrar com uma peça de trabalho entalada pode causar perda de controlo ou danos na serra de meia-esquadria.
- ▶ **Depois de terminar o corte, solte o interruptor, mantenha a cabeça da serra em baixo e aguarde que o disco pare antes de retirar a peça cortada.** É muito perigoso colocar a mão próxima do disco a rodar livremente.
- ▶ **Segure bem o punho ao fazer um corte incompleto ou ao soltar o interruptor antes de a cabeça da serra estar completamente na posição inferior.** O efeito de travagem da serra pode fazer com que a cabeça da serra seja puxada abruptamente para baixo, causando risco de ferimentos.
- ▶ **Não solte o punho quando a cabeça da serra tiver atingido a posição inferior. Desloque a cabeça da serra sempre à mão de volta à posição superior.** Se mover a cabeça da serra sem controlo, pode originar um risco de ferimentos.
- ▶ **Mantenha o local de trabalho limpo.** As misturas de materiais são muito perigosas. Pó de metal leve pode queimar ou explodir.
- ▶ **Não utilizar lâminas de serra embotadas, rachadas, empenadas ou danificadas. Lâminas de serra com dentes embotados ou incorretamente alinhados causam um atrito maior, um contragolpe e emperram devido à fenda de corte apertada.**
- ▶ **Não utilizar lâminas de serra de aço de alta liga para trabalhos rápidos (aço HSS).** Estes discos de serra podem quebrar facilmente.
- ▶ **Utilize sempre discos de serra com furos interiores de tamanho e forma corretos (diamante versus redondo).** Os discos de serra que não coincidam com o hardware de montagem da serra ficam descentrados, causando perda de controlo.
- ▶ **Jamais remover resíduos de corte, aparas ou objetos semelhantes da área de corte, enquanto a ferramenta elétrica estiver a funcionar.** Sempre conduzir primeiramente o braço da ferramenta para a posição de repouso e desligar a ferramenta.
- ▶ **Não toque no disco de serra após o trabalho, espere que este arrefeça.** O disco de serra torna-se extremamente quente durante o trabalho.
- ▶ **A ferramenta elétrica é fornecida com uma placa de advertência laser (consulte a tabela "Símbolos e seus significados").**

- ▶ Se o texto da placa de advertência laser não estiver no seu idioma, antes da primeira colocação em funcionamento, deverá colar o adesivo com o texto de advertência no seu idioma nacional sobre a placa de advertência.
- ▶ Jamais permita que as placas de advertência na ferramenta elétrica se tornem irreconhecíveis.



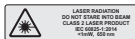
Não apontar o raio laser na direção de pessoas nem de animais e não olhar para o raio laser direto ou reflexivo. Desta forma poderá encandear outras pessoas, causar acidentes ou danificar o olho.

- ▶ Se um raio laser acertar no olho, fechar imediatamente os olhos e desviar a cabeça do raio laser.
- ▶ Não efetue alterações no dispositivo laser. Pode utilizar sem perigo as possibilidades de ajuste descritas neste manual de instruções.
- ▶ Não deixe que crianças usem a ferramenta elétrica sem vigilância. Elas podem encandear sem querer outras pessoas ou elas mesmas

Símbolos

Os seguintes símbolos podem ser importantes para a utilização da sua ferramenta elétrica. Os símbolos e os seus significados devem ser memorizados. A interpretação correta dos símbolos facilita a utilização segura e aprimorada da ferramenta elétrica.

Símbolos e seus significados



Feixe laser
Não olhar diretamente para o feixe
Classe de laser 2



Mantenha as mãos afastadas da área de corte enquanto a ferramenta elétrica estiver em funcionamento. Há perigo de ferimentos se houver contacto com o disco de serra.



Use uma máscara de proteção contra pó.



Use óculos de proteção.



Use proteção auditiva. Ruídos podem provocar a surdez.

Símbolos e seus significados



Área perigosa! Manter as mãos, os dedos e os braços afastados desta área.



Para ajustar ângulos de meia-esquadria verticais desejados, o braço da ferramenta tem de se poder movimentar livremente.

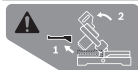
Tecla de bloqueio puxada para cima: Podem ser ajustados ângulos de meia-esquadria verticais.

Tecla de bloqueio empurrada para baixo: O ângulo de meia-esquadria vertical ajustado é mantido.

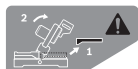


Observe as dimensões do disco de serra. Não deve haver folga entre o diâmetro do orifício e o veio da ferramenta. Se for necessária a utilização de peças redutoras, certifique-se de que as dimensões da peça redutora são adequadas para a espessura da base do disco e ao diâmetro do furo do disco de serra, assim como o diâmetro do veio da ferramenta. Se possível, use a peça redutora fornecida junto com o disco de serra.

O diâmetro do disco de serra tem de corresponder à indicação no símbolo.



Ao serrar ângulos de meia-esquadria verticais, o carril limitador esquerdo ou direito tem de ser retirado.



Descrição do produto e do serviço



Leia todas as instruções de segurança e instruções. A inobservância das instruções de segurança e das instruções pode causar choque elétrico, incêndio e/ou ferimentos graves.

Respeite as figuras na parte da frente do manual de instruções.

Utilização adequada

A ferramenta elétrica é destinada à utilização como aparelho estacionário, para cortes longitudinais e transversais com traçado de corte reto em madeira. São possíveis ângulos de meia-esquadria horizontais de -47° a $+52^\circ$ e ângulos de meia-esquadria verticais de 45° (lado esquerdo) a 45° (lado direito).

A potência da ferramenta elétrica é apropriada para serrar madeiras duras e macias, assim como também placas de aglomerado de madeira e de fibras.

Utilizando os discos de serra é possível serrar perfis de alumínio e de plástico.

Componentes ilustrados

A numeração dos componentes ilustrados refere-se à apresentação da ferramenta elétrica na página de esquemas.

- | | | | |
|------|---|------|--|
| (1) | Parafuso de fixação do dispositivo de tração | (34) | Abertura para saída do raio laser |
| (2) | Dispositivo de tração | (35) | Interruptor de ligar/desligar |
| (3) | Placa de advertência laser | (36) | Interruptor de ligar/desligar para laser (identificação da linha de corte) |
| (4) | Punho de transporte | (37) | Expulsão de aparas |
| (5) | Punho | (38) | Parafuso de orelhas para fixar o carril limitador ajustável |
| (6) | Bloqueio de ligação para o interruptor de ligar/desligar | (39) | Furos para grampos |
| (7) | Tampa de proteção | (40) | Parafuso batente para a amplitude dos ângulos de meia-esquadria à direita (vertical) |
| (8) | Cobertura de proteção pendular | (41) | Batente para ângulos de meia-esquadria padrão de 45°, 22,5° e 33,9° (vertical) |
| (9) | Furos para montagem | (42) | Parafuso de fixação do prolongamento da mesa de serra |
| (10) | Suporte com os contornos da ferramenta | (43) | Parafuso de segurança do prolongamento da mesa de serra |
| (11) | Tecla de bloqueio para ângulo de meia-esquadria (horizontal) | (44) | Suporte para apoio para peças (na ferramenta elétrica) |
| (12) | Manípulo de fixação para qualquer ângulo de meia-esquadria (horizontal) | (45) | Suporte para segundo apoio para peças (no apoio para peças) |
| (13) | Tecla de bloqueio para ângulo de meia-esquadria (vertical) | (46) | Saco do pó |
| (14) | Indicador de ângulo para ângulo de meia-esquadria (horizontal) | (47) | Parafuso de sextavado interior para fixação do disco de serra |
| (15) | Entalhes para ângulos de meia-esquadria padrões (horizontal) | (48) | Flange de aperto |
| (16) | Prolongamento da mesa de serra | (49) | Disco de serra |
| (17) | Apoio para as peças ^{a)} | (50) | Flange de aperto interior |
| (18) | Carril limitador fixo | (51) | Parafuso de orelhas para adaptar a altura da haste roscada |
| (19) | Carril limitador ajustável | (52) | Haste roscada |
| (20) | Grampo | (53) | Parafuso de orelhas do grampo |
| (21) | Botão de regulação para ângulo de meia-esquadria de 0° (vertical) | (54) | Pino grampo |
| (22) | Batente de profundidade | (55) | Indicador de ângulo para ângulo de meia-esquadria (vertical) |
| (23) | Parafuso de ajuste do limitador de profundidade | (56) | Escala para ângulo de meia-esquadria (vertical) |
| (24) | Chave sextavada interior | (57) | Parafuso de aperto do batente longitudinal |
| (25) | Proteção de transporte | (58) | Calha de guia do limitador de comprimento |
| (26) | Batente longitudinal | (59) | Parafuso de orelhas para fixar a calha de guia do limitador de comprimento |
| (27) | Cavidades de pega | (60) | Parafusos para o suporte com os contornos da ferramenta |
| (28) | Furos para possibilidade de fixação horizontal | (61) | Parafuso de ajuste para posicionamento do laser |
| (29) | Mesa de serra | (62) | Esquadro |
| (30) | Escala para ângulo de meia-esquadria (horizontal) | (63) | Parafuso batente para ângulo de meia-esquadria de 0° (vertical) |
| (31) | Proteção contra tombamento | (64) | Parafusos de sextavado interior do carril limitador |
| (32) | Rolo de deslize | (65) | Parafuso para indicador de ângulo (vertical) |
| (33) | Bloqueio do veio | (66) | Parafuso para indicador de ângulo (horizontal) |

a) Não disponível em todas as versões específicas do país.

Dados técnicos

Serra para painéis		GCM 254 D
Número de produto		3 601 M53 0..
Potência nominal absorvida	W	1800
N.º de rotações em vazio	r.p.m.	4800
Tipo de laser	nm	650
	mW	< 1
Classe de laser		2
Peso	kg	17,9
Classe de proteção		□/II
Medidas de discos de serra apropriados		
Diâmetro do disco de serra	mm	254
Espessura da base do disco	mm	1,4-2,5
Largura de corte máx.	mm	3
Diâmetro do furo	mm	25,4

Dimensões admissíveis da peça (máximo/mínimo): (ver "Dimensões admissíveis da peça a ser trabalhada", Página 50)

Os dados aplicam-se a uma tensão nominal [U] de 230 V. Com tensões divergentes e em versões específicas do país, estes dados podem variar.

O aparelho cumpre aos requisitos IEC 61000-3-11 e está sujeito a conexão condicional. O aparelho pode causar flutuações ocasionais de voltagem sob condições de energia desfavoráveis. A impedância deste aparelho está definida como $Z_{\text{atual}} = 0,094 \Omega$. O utilizador tem de assegurar que o ponto de conexão, com a impedância $Z_{\text{máx}}$, onde o aparelho deve ser conectado cumpre o requisito de impedância: $Z_{\text{atual}} \geq Z_{\text{máx}}$. Se $Z_{\text{máx}}$ é desconhecido, determine $Z_{\text{máx}}$ em consulta com o fornecedor da rede ou autoridade de fornecimento.

Os valores podem variar em função do produto e estar sujeitos a condições de aplicação e do meio ambiente. Para mais informações consulte www.bosch-professional.com/wac.

Montagem

- ▶ **Evitar um arranque involuntário da ferramenta elétrica. A ficha de rede não deve estar conectada à alimentação elétrica durante a montagem e durante todos trabalhos na ferramenta elétrica.**

Volume de fornecimento



Observe para o efeito a representação do volume de fornecimento no início do manual de instruções.

Antes de colocar a ferramenta elétrica em funcionamento pela primeira vez, deverá verificar se todas as peças especificadas abaixo foram fornecidas:

- Serra para painéis com disco de serra montado
- Saco do pó (46)
- Apoio para as peças (17) (2 unidades)
(Não disponível em todas as versões específicas do país.)
- Grampo (20)
- Chave sextavada interior (24)
- Esquadro (62)
- Prolongamento da mesa de serra (16) (2 unidades)

Nota: verifique se a ferramenta elétrica apresenta danos. Antes de continuar a utilizar a ferramenta elétrica, deverá controlar cuidadosamente todos os dispositivos de segurança e peças levemente danificadas e verificar se estão a funcionar corretamente. Verifique se as peças móveis funcionam perfeitamente e não emperram, ou se há peças danificadas. Todas as peças devem ser montadas corretamente e corresponder a todas exigências, para que seja assegurado um funcionamento impecável. Dispositivos de segurança e peças danificados devem ser devidamente reparados ou substituídos por uma oficina especializada.

Montagem de componentes individuais

- Retire todas as peças fornecidas cuidadosamente das respetivas embalagens.
- Remova todo o material de embalagem da ferramenta elétrica e dos acessórios fornecidos.
- Para facilitar o trabalho na montagem dos elementos dos aparelhos fornecidos, certifique-se de que a ferramenta elétrica se encontra na posição de transporte.

Montar os prolongamentos da mesa de serra (ver figura A1)

Para o conjunto de extensão da mesa de serra adicional pode montar um prolongamento da mesa de serra tanto do lado esquerdo como direito na ferramenta elétrica.

- Desaperte o parafuso de retenção (43) do prolongamento da mesa de serra com uma chave de fenda em cruz.
- Incline a ferramenta elétrica.
- Desloque o prolongamento da mesa de serra (16) nos dois lados da ferramenta elétrica até ao batente nos furos previstos para o efeito.
- Para proteção contra extração, volte a apertar o parafuso de retenção (43) no prolongamento da mesa de serra.

Montar o apoio para as peças (ver figura A2)

Os apoios para as peças (17) podem ser posicionados à esquerda, à direita ou à frente na ferramenta elétrica. O sistema de encaixe flexível permite uma ampla gama de variantes de prolongamento ou alargamento (ver figura G).

- Consoante a necessidade, insira o apoio para as peças (17) nos encaixes (44) na ferramenta elétrica ou nos encaixes (45) do segundo apoio para as peças.

- ▶ **Nunca transporte a ferramenta elétrica pelos apoios para as peças.**

Ao transportar a ferramenta elétrica utilize apenas os dispositivos de transporte.

Montagem estacionária ou flexível

- ▶ **Para assegurar um manuseio seguro, é necessário que, antes da utilização, a ferramenta elétrica seja montada sobre uma superfície de trabalho plana e estável (p. ex. bancada de trabalho).**

Montagem numa superfície de trabalho (ver figura B1-B2)

- Fixe a ferramenta elétrica à superfície de trabalho com uma união rosçada apropriada. Os orifícios (9) servem para esse efeito.

ou

- Fixe os pés da ferramenta elétrica com grampos convencionais à superfície de trabalho.

Montagem numa mesa de trabalho Bosch

As mesas de trabalho GTA da Bosch oferecem firmeza à ferramenta elétrica, sobre qualquer solo, devido aos pés de altura ajustável. As mesas de trabalho possuem bases de apoio para o apoio de peças longas.

- ▶ **Ler todas as indicações de aviso e instruções fornecidas com a mesa de trabalho.** O desrespeito das indicações de aviso e das instruções pode causar choque elétrico, queimaduras e/ou ferimentos graves.
- ▶ **Montar corretamente a mesa de trabalho, antes de montar a ferramenta elétrica.** É importante que a montagem seja perfeita, para evitar o risco de desmoroamento.
- Monte a ferramenta elétrica na posição de transporte sobre a mesa de trabalho.

Instalação flexível (não recomendada!) (ver figura B3)

Se excepcionalmente não for possível montar a ferramenta elétrica sobre uma superfície de trabalho plana e estável, pode usar como auxiliar uma proteção contra tombamento.

- ▶ **Sem a proteção contra tombamento a ferramenta elétrica não está segura e pode tombar especialmente ao serrar ângulos de meia-esquadria máximos horizontais e/ou verticais.**
- Rodar a proteção contra tombamento (31) para dentro ou para fora até que a ferramenta elétrica fique direita sobre a superfície de trabalho.

Aspiração de pó/de aparas

Pós de materiais como por exemplo, tintas que contém chumbo, alguns tipos de madeira, minerais e metais, podem ser nocivos à saúde. O contacto ou a inalação dos pós pode provocar reações alérgicas e/ou doenças nas vias respiratórias do utilizador ou das pessoas que se encontrem por perto.

Certos pós, como por exemplo pó de carvalho e faia são considerados como sendo cancerígenos, especialmente quando juntos com substâncias para o tratamento de madeiras (cromato, produtos de proteção da madeira). Material que contém asbesto só deve ser processado por pessoal especializado.

- Se possível deverá usar um dispositivo de aspiração de pó apropriado para o material.
- Assegurar uma boa ventilação do local de trabalho.
- É recomendável usar uma máscara de proteção respiratória com filtro da classe P2.

Observe as diretivas para os materiais a serem processados, vigentes no seu país.

- ▶ **Evite a acumulação de pó no local de trabalho.** Pós podem entrar levemente em ignição.

A aspiração de pó/de aparas pode ser bloqueada por pó, aparas ou por estilhaços da peça a ser trabalhada.

- Desligue a ferramenta elétrica e retire a ficha de rede da tomada.
- Aguarde até que o disco de serra esteja completamente parado.
- Verifique a causa do bloqueio e elimine-a.

Aspiração integrada (ver figura C)

Para a fácil recolha das aparas utilize o saco de pó (46) (acessório).

- Insira o saco do pó (46) na remoção de aparas (37).

Ao serrar, o saco do pó não deve entrar em contacto com as peças móveis do aparelho.

Esvazie o saco do pó a tempo.

- ▶ **Verifique e limpe o saco de pó após cada utilização.**
- ▶ **Para evitar perigo de incêndio, deverá remover o saco de pó para serrar alumínio.**

Aspiração externa

Para a aspiração também é possível ligar uma mangueira de aspirador (Ø 35 mm) à remoção de aparas (37).

O aspirador de pó deve ser apropriado para o material a ser trabalhado.

Utilize um aspirador especial para aspirar pó que seja extremamente nocivo à saúde, cancerígeno ou seco.

Substituir o disco de serra (ver figura D1-D4)

- ▶ **Antes de todos trabalhos na ferramenta elétrica deverá puxar a ficha de rede da tomada.**
- ▶ **Para a montagem do disco de serra é necessário usar luvas de proteção.** Há perigo de ferimentos em caso de contacto com a lâmina de serra.

Só utilizar discos de serra com uma máxima velocidade admissível superior à velocidade da marcha em vazio da ferramenta elétrica.

Utilize apenas discos de serra que correspondam aos dados característicos indicados neste manual de instrução e que sejam controlados conforme EN 847-1 e respetivamente marcados.

Utilize apenas discos de serra recomendados pelo fabricante desta ferramenta elétrica e adequados para o material com que deseja trabalhar. Desta forma, evita-se o sobreaquecimento dos dentes de serra ao serrar.

Desmontar o disco de serra

- Coloque a ferramenta elétrica na posição de trabalho.
- Gire a cobertura de proteção pendular (8) para trás e mantenha-a nesta posição.
- Rode o parafuso de sextavado interior (47) com a chave sextavada interior (8 mm) (24) e pressione em simultâneo o bloqueio do veio (33), até este engatar.
- Mantenha o bloqueio do veio (33) pressionado e rode o parafuso de sextavado interior (47) para a direita (rosca à esquerda!).

- Retire o flange de aperto (48).
- Retire o disco de serra (49).
- Reconduzir lentamente a tampa de proteção pendular para baixo.

Montar o disco de serra

- ▶ **Durante a montagem, deverá observar que o sentido de corte dos dentes (sentido da seta sobre a lâmina de corte) coincide com o sentido da seta sobre a capa de proteção!**

Se necessário, deverá limpar todas as partes antes de serem montadas.

- Gire a cobertura de proteção pendular (8) para trás e mantenha-a nesta posição.
- Coloque o novo disco de serra no flange de aperto interior (50).
- Coloque o flange de aperto (48) e o parafuso de sextavado interior (47). Pressione o bloqueio do veio (33) até este engatar, e aperte o parafuso de sextavado interior rodando para a esquerda.
- Reconduzir lentamente a tampa de proteção pendular para baixo.

Funcionamento

- ▶ **Antes de todos trabalhos na ferramenta elétrica deverá puxar a ficha de rede da tomada.**

Proteção de transporte (ver figura E)

A proteção de transporte (25) facilita o manuseamento da ferramenta elétrica durante o transporte para outros locais de utilização.

Liberar a ferramenta elétrica (posição de trabalho)

- Pressionar o braço da ferramenta no punho (5) um pouco para baixo, para aliviar a proteção de transporte (25).
- Puxar a proteção de transporte (25) completamente para fora.
- Conduzir lentamente o braço da ferramenta para cima.

Proteger a ferramenta elétrica (posição de transporte)

- Solte o parafuso de fixação (1), se este estiver a reter o dispositivo de tração (2). Puxe o braço da ferramenta totalmente para a frente e reaperte o parafuso de fixação para fixar o dispositivo de tração.
- Aparafusar o parafuso de ajuste (23) completamente até cima.
- Para travar a mesa de serrar (29), apertar o manípulo de fixação (12).
- Rode o braço da ferramenta para baixo pelo punho (5) até que seja possível pressionar a proteção de transporte (25) totalmente para dentro.

O braço da ferramenta está agora seguramente travado para o transporte.

Preparação de trabalho

Após uso intensivo, deverá controlar, e se necessário corrigir, os ajustes básicos da ferramenta elétrica, para assegurar cortes precisos.

Para tal são necessárias experiência e ferramentas especiais.

Uma oficina de serviço pós-venda Bosch executa este trabalho de forma rápida e fiável.

Prolongar/alargar a mesa de serra (ver figuras F–G)

Apoiar ou escorar as extremidades de peças compridas e pesadas.

A mesa de serra pode ser prolongada para a esquerda ou para a direita com a ajuda dos prolongamentos da mesa de serra (16).

- Solte o parafuso de fixação (42).
- Puxe o prolongamento da mesa de serrar (16) para fora até ao comprimento desejado.
- Para fixar o prolongamento da mesa de serra, aperte novamente o parafuso de fixação (42).

O sistema de encaixe flexível dos apoios para as peças (17) permite uma ampla gama de variantes de prolongamento ou alargamento.

- Consoante a necessidade, insira o apoio para as peças (17) nos encaixes (44) na ferramenta elétrica ou nos encaixes (45) do segundo apoio para as peças.

- ▶ **Nunca transporte a ferramenta elétrica pelos apoios para as peças.**

Ao transportar a ferramenta elétrica utilize apenas os dispositivos de transporte.

Remover o carril limitador (ver figura H)

Ao serrar ângulos de meia-esquadria verticais tem de se remover o carril limitador (19) ajustável esquerdo ou direito.

- Solte os parafusos de orelhas (38).
- Remova o carril limitador ajustável (19).

Depois de serrar o ângulo de meia-esquadria vertical, volte a colocar o carril limitador ajustável (19) e aperte os parafusos de orelhas (38).

Fixar a peça a ser trabalhada (ver figuras I1–I3)

A peça a ser trabalhada deverá ser sempre firmemente fixa, para assegurar uma segurança ideal de trabalho.

Não trabalhar em peças que sejam demasiadamente pequenas para serem fixas.

Fixação vertical

- Pressione a peça firmemente contra os carris limitadores (18) e (19).
- Insira o grampo fornecido (20) num dos furos (39) previstos para o efeito.
- Solte o parafuso de orelhas (51) e adapte o grampo à peça a ser trabalhada. Reaperte o parafuso de orelhas.
- Aperte o tirante roscado (52) fixando assim a peça a ser trabalhada.

Fixação horizontal

- Desaperte o parafuso de orelhas (53) e desmonte o grampo.
- Insira o grampo «reduzido» (20) com o pino (54) num dos furos (28) previstos para o efeito.
- Pressione bem a peça sobre a mesa de serra (29).
- Aperte o tirante roscado (52) fixando assim a peça a ser trabalhada.

Soltar a peça a ser trabalhada

- Para soltar o grampo, rode a haste roscada (52) para a esquerda.

Ajustar ângulos de meia-esquadria horizontais

- Coloque a ferramenta elétrica na posição de trabalho.

Ajustar ângulos de meia-esquadria padrão horizontais (ver figura J)

Para o ajuste rápido e preciso de ângulos de meia-esquadria horizontais usados frequentemente, existem entalhes (15) na mesa de serrar:

esquerda	0°	direita
45°; 22,5°; 15°		15°; 22,5°; 45°

- Solte o manípulo de fixação (12), caso este esteja apertado.
- Pressione a tecla de bloqueio (11) para baixo e rode a mesa de serrar (29) pelo manípulo de fixação para a esquerda ou para a direita, até que o indicador de ângulo (14) indique o ângulo de meia-esquadria padrão horizontal desejado.
- Volte a soltar a tecla de bloqueio (11). A mesa de serra tem de engatar perceptivelmente no entalhe.
- Aperte novamente o manípulo de fixação (12).

Ajustar ângulos de meia-esquadria horizontais à sua escolha

O ângulo de meia-esquadria horizontal pode ser ajustado numa faixa de 47° (lado esquerdo) até 52° (lado direito).

- Solte o manípulo de fixação (12), caso este esteja apertado.
- Pressione a tecla de bloqueio (11) para baixo e rode a mesa de serrar (29) pelo manípulo de fixação para a esquerda ou para a direita, até que o indicador de ângulo (14) indique o ângulo de meia-esquadria horizontal desejado.
- Volte a soltar a tecla de bloqueio (11).
- Aperte novamente o manípulo de fixação (12).

Ajustar ângulos de meia-esquadria verticais

O ângulo de meia-esquadria vertical pode ser ajustado numa faixa de 45° (lado esquerdo) até 45° (lado direito).

Para o ajuste rápido e preciso de ângulos de meia-esquadria verticais usados frequentemente, existem limitadores para os ângulos de 0°, 22,5°, 33,9° e 45°.

Ajustar faixa de ângulo de meia-esquadria vertical esquerda

- Remova o carril limitador ajustável esquerdo (19).
- Rode o batente esquerdo (41), até o ângulo de meia-esquadria padrão vertical de 45° engatar na seta de marcação.
Com isto, está disponível a completa área de deslocamento esquerda.
- Puxe a tecla de bloqueio (13) para cima.
- Rode o braço da ferramenta no punho (5) para a esquerda, até que o indicador de ângulo indique o ângulo de meia-esquadria vertical desejado.
- Mantenha o braço da ferramenta nesta posição e pressione a tecla de bloqueio (13) novamente para baixo.

Ajustar faixa de ângulo de meia-esquadria vertical direita

- Remova o carril limitador ajustável direito (19).
- Rode o batente direito (41), até o ângulo de meia-esquadria padrão vertical de 45° engatar na seta de marcação.
Com isto, está disponível a completa área de deslocamento direita.
- Puxe a tecla de bloqueio (13) para cima.
- Rode o botão de regulação (21) ligeiramente para a esquerda e oscile o braço da ferramenta no punho (5) para a direita, até que o indicador de ângulo indique o ângulo de meia-esquadria vertical desejado.
- Mantenha o braço da ferramenta nesta posição e pressione a tecla de bloqueio (13) novamente para baixo.

Ajustar ângulos de meia-esquadria padrões verticais (ver figura K)

- Remova o carril limitador ajustável direito/esquerdo (19).
- Puxe a tecla de bloqueio (13) para cima.

Ângulo de meia-esquadria padrão 0°:

- Rode o botão de regulação (21) ligeiramente para a esquerda e oscile o braço da ferramenta da direita sobre a posição 0°, até o mesmo engatar de forma audível na posição 0°.

- Volte a pressionar a tecla de bloqueio (13) para baixo.

Ângulos de meia-esquadria padrão de 45°, 33,9° e 22,5°:

- Rode o batente esquerdo ou direito (41), até que a meia-esquadria padrão vertical desejada engate na marcação da seta.

- Oscile o braço da ferramenta até ao batente para a esquerda.

ou

- Rode o botão de regulação (21) ligeiramente para a esquerda e oscile o braço da ferramenta o punho (5) até ao batente para a direita.

- Volte a pressionar a tecla de bloqueio (13) para baixo.

Colocação em funcionamento

- **Observar a tensão de rede!** A tensão da fonte de corrente elétrica deve coincidir com os dados que

constam na placa de características da ferramenta elétrica.

- ▶ **Antes de serrar, aperte o manípulo de fixação (12) e pressione a tecla de bloqueio (13) para baixo.** Caso contrário o disco de serra poderá emperrar na peça a ser trabalhada.

Ligar (ver figura L)

- Para a **colocação em funcionamento** da ferramenta elétrica, pressione **primeiro** o bloqueio de ligação (6). **A seguir** prima o interruptor de ligar/desligar (35) totalmente para baixo e mantenha-o premido.

Nota: Por motivos de segurança o interruptor de ligar/desligar (35) não pode ser travado, mas deve permanecer premido durante o funcionamento.

Desligar

- Para **desligar**, soltar o interruptor de ligar/desligar (35).

Serrar

Indicações gerais para serrar

- ▶ **Antes de serrar, aperte o manípulo de fixação (12) e pressione a tecla de bloqueio (13) para baixo.** Caso contrário o disco de serra poderá emperrar na peça a ser trabalhada.
- ▶ **Antes de todos os cortes, deverá assegurar-se de que a lâmina de serra não possa de modo algum entrar em contacto com o carril limitador, com os sargentos ou com quaisquer outras partes do aparelho. Se houverem limitadores auxiliares montados, estes deverão ser removidos ou respetivamente adaptados.**

Proteger a lâmina de serra contra golpes e pancadas. A lâmina de serra não deve ser exposta a nenhuma pressão lateral.

Serre apenas materiais que estão permitidos em termos de utilização adequada.

Não trabalhar peças empenadas. A peça a ser trabalhada deve sempre ter um lado reto para encostar no carril limitador.

Apoiar ou escorar as extremidades de peças compridas e pesadas.

Assegure-se de que a cobertura de proteção pendular está a funcionar corretamente e pode ser movimentada livremente. Ao conduzir o braço da ferramenta para baixo, a capa de proteção pendular tem de se abrir. Ao conduzir o braço da ferramenta para cima, a capa de proteção pendular tem de se voltar a fechar por cima da lâmina e engatar na posição superior do braço da ferramenta.

Posição do operador (ver figura M)

- ▶ **Não se posicione em linha com o disco de serra, na frente da ferramenta elétrica, mas sempre deslocado lateralmente em relação ao disco de serra.** Desta forma o seu corpo estará protegido contra um possível contragolpe.
- Manter as mãos, os dedos e os braços afastados da lâmina de serra em rotação.
- Não cruzar as mãos à frente do braço da ferramenta.

Serrar com movimento de tração

- Para cortes com a ajuda do dispositivo de tração (2) (peças largas), soltar o parafuso de fixação (1), caso este esteja apertado.
- Se necessário, ajustar o ângulo de meia-esquadria horizontal e/ou vertical pretendido.
- Pressione a peça a ser trabalhada firmemente contra o carril limitador (18) e (19).
- Fixe a peça a ser trabalhada de acordo com as dimensões.
- Afastar o braço da ferramenta do carril limitador (18), até a lâmina de serra estar na frente da peça a ser trabalhada.
- Ligue a ferramenta elétrica.
- Conduzir lentamente o braço da ferramenta com o punho (5) para baixo.
- Prima então o braço da ferramenta no sentido dos carris limitadores (18) e (19) e serre a peça a ser trabalhada com avanço uniforme.
- Desligue a ferramenta elétrica e aguarde até o disco de serra estar completamente parado.
- Conduza lentamente o braço da ferramenta para cima.

Serrar sem movimento de tração (cortar) (ver figura N)

- Para cortes sem movimento de tração (peças pequenas) soltar o parafuso de fixação (1), caso este esteja apertado. Empurrar o braço da ferramenta até ao batente no sentido do carril limitador (18) e voltar a apertar o parafuso de fixação (1).
- Se necessário, ajustar o ângulo de meia-esquadria horizontal e/ou vertical pretendido.
- Pressione a peça a ser trabalhada firmemente contra o carril limitador (18) e (19).
- Fixe a peça a ser trabalhada de acordo com as dimensões.
- Ligue a ferramenta elétrica.
- Conduzir lentamente o braço da ferramenta com o punho (5) para baixo.
- Serre a peça com avanço uniforme.
- Desligue a ferramenta elétrica e aguarde até o disco de serra estar completamente parado.
- Conduza lentamente o braço da ferramenta para cima.

Instruções de trabalho

Marcar a linha de corte (ver figura O)

Um raio laser indica a linha de corte do disco de serra. Assim a peça pode ser exatamente posicionada para ser serrada, sem que a cobertura de proteção angular tenha que ser aberta.

- Para tal, ligue o raio laser com o interruptor (36).
- Alinhe a sua marcação na peça a ser trabalhada no centro da linha laser.

Nota: Antes de serrar, verifique se a linha de corte ainda é indicada corretamente. O raio laser pode, p. ex., ser desajustado por vibrações devido a um uso intensivo.

Dimensões admissíveis da peça a ser trabalhada

Máximo de peças a serem trabalhadas:

Ângulo de meia-esquadria horizontal	Ângulo de meia-esquadria vertical	Altura x largura [mm]
0°	0°	90 x 310
45°	0°	90 x 210
0°	45° (esquerda)	45 x 310
45°	45° (esquerda)	45 x 210
0°	45° (direita)	35 x 310
45°	45° (direita)	35 x 210

Peças mínimas (= todas as peças que podem ser fixadas com o grampo **(20)** fornecido à esquerda ou à direita do disco de serra): 130 x 50 mm (comprimento x largura)

Profundidade máxima de corte (0°/0°): 90 mm

Serrar peças com o mesmo comprimento (ver figura P)

Para serrar facilmente peças com o mesmo comprimento, é possível utilizar o limitador de comprimento **(26)**.

- Solte o parafuso de fixação **(57)** e desloque o limitador de comprimento **(26)** na calha de guia **(58)** para o comprimento da peça pretendido.
- Aperte novamente o parafuso de fixação **(57)**.

Peças mais compridas:

- Solte o parafuso de orelhas **(59)** e puxe a calha de guia **(58)** para fora até ao limitador.
- Aperte novamente o parafuso de orelhas **(59)**.
- Ajuste o limitador de comprimento **(26)** para o comprimento da peça pretendido.

Serrar sem limitador de comprimento:

- Solte o parafuso de fixação **(57)** e desloque o limitador de comprimento **(26)** na calha de guia **(58)** totalmente para fora.
- Rode o limitador de comprimento a 90°, para que fique alinhado à face com o carril limitador **(18)**.
- Aperte novamente o parafuso de fixação **(57)**.

Ajustar o limitador de profundidade (serrar ranhuras) (ver figura Q)

O limitador de profundidade deve ser ajustado, se desejar serrar uma ranhura.

- Virar o limitador de profundidade **(22)** para fora.
- Virar o braço da ferramenta no punho **(5)** para a posição desejada.
- Girar o parafuso de ajuste **(23)**, até a extremidade do parafuso entrar em contacto com o limitador de profundidade **(22)**.
- Conduzir lentamente o braço da ferramenta para cima.

Peças especiais

Ao serrar peças curvadas ou redondas é necessário fixá-las firmemente, de modo que não possam se movimentar. Na linha de corte não deve haver fendas entre a peça a ser trabalhada, o carril limitador e a mesa de serrar.

Se necessário, deverão ser fabricados suportes especiais.

Substituir as placas de alimentação (ver figura R)

A placa de alimentação **(10)** pode ficar gasta depois de uma utilização prolongada da ferramenta elétrica.

Uma placa de alimentação defeituosa deve ser substituída.

- Coloque a ferramenta elétrica na posição de trabalho.
- Desaperte os parafusos **(60)** com uma chave de fenda em cruz convencional e retire a placa de alimentação antiga **(10)**.
- Coloque a nova placa de alimentação e volte a apertar os parafusos **(60)**.

Trabalhar tramelas perfiladas

Barras perfiladas podem ser trabalhadas de duas maneiras:

Posicionamento da peça a ser trabalhada	Rodapé	Moldura de teto
---	--------	-----------------

- encostadas contra o carril limitador
- apoiadas de forma plana sobre a mesa de serrar

Além disso, é possível executar cortes com ou sem movimento de tração, independente da largura da barra perfilada.

Sempre deverá testar o ângulo de meia-esquadria (horizontal e/ou vertical) ajustado num pedaço de madeira que for deitar fora.

Ajustar o laser

Nota: Para testar a função do laser é necessário que a ferramenta elétrica esteja conectada à alimentação elétrica.

► **Jamais acionar o interruptor de ligar/desligar durante o ajuste do laser (p. ex. ao movimentar o braço da ferramenta).** Um arranque involuntário da ferramenta elétrica pode causar ferimentos.

- Coloque a ferramenta elétrica na posição de trabalho.
- Rode a mesa de serrar **(29)** até ao entalhe **(15)** para 0°. A alavanca tem de engatar perceptivelmente no entalhe.

Após uso intensivo, deverá verificar, e se necessário corrigir, os ajustes básicos dos raios laser, para assegurar cortes precisos.

Para tal são necessárias experiência e ferramentas especiais.

Um posto de assistência técnica Bosch executa este trabalho de forma rápida e fiável.

Verificar (ver figura S1)

- Desenhe uma linha de corte sobre a peça a ser trabalhada.
- Conduza lentamente o braço da ferramenta com o punho **(5)** para baixo.

- Posicione a peça a ser trabalhada, de modo que os dentes do disco de serra estejam alinhados à linha de corte.
- Mantenha a peça a ser trabalhada nesta posição e reconduza o braço da ferramenta lentamente para cima.
- Fixe a peça a ser trabalhada.
- Ligue o raio laser com o interruptor (36).

O raio laser deve estar alinhado ao comprimento total da linha de corte da peça a ser trabalhada, mesmo quando o braço da ferramenta é movimentado para baixo.

Ajustar (ver figura S2)

- Rodar o parafuso de ajuste (61) com uma chave de parafusos adequada, até o raio laser ficar à face em todo o comprimento da linha de corte na peça a ser trabalhada.

Uma rotação no sentido contrário dos ponteiros do relógio, movimentando o raio laser da esquerda para a direita, uma rotação no sentido dos ponteiros do relógio movimentando o raio laser da direita para a esquerda.

Verifique e realize os ajustes básicos

Após uso intensivo, deverá controlar, e se necessário corrigir, os ajustes básicos da ferramenta elétrica, para assegurar cortes precisos.

Para tal são necessárias experiência e ferramentas especiais.

Uma oficina de serviço pós-venda Bosch executa este trabalho de forma rápida e fiável.

Ajustar o ângulo de meia-esquadria padrão vertical de 0°

- Coloque a ferramenta elétrica na posição de trabalho.
- Rode a mesa de serrar (29) até ao entalhe (15) para 0°. A alavanca tem de engatar perceptivelmente no entalhe.
- Puxe a tecla de bloqueio (13) para cima.
- Rode o botão de regulação (21) ligeiramente para a esquerda e oscile o braço da ferramenta da direita sobre a posição 0°, até o mesmo engatar de forma audível na posição 0°.
- Volte a pressionar a tecla de bloqueio (13) para baixo.

Verificar (ver figura T1)

- Coloque o esquadro (62) com o ângulo de 90° à face com o disco de serra (49) entre a mesa de serra (29) e o disco de serra sobre a mesa de serra (29).

O lado do esquadro tem de ficar alinhado em todo o comprimento com o disco de serra (49).

Ajustar (ver figura T2)

- Solte a contraporca do parafuso batente (63) com uma chave anular ou uma chave de bocas convencional.
- Enrosque ou desenrosque o parafuso batente (63), até que o lado do esquadro (62) fique alinhado no comprimento completo com o disco de serra.
- Volte a pressionar a tecla de bloqueio (13) para baixo.
- De seguida, volte a apertar a contraporca do parafuso batente (63).

Se, após o ajuste, o indicador de ângulo (55) não estiver em linha com a marca de 0° da escala (56), solte o

parafuso (65) com uma chave de fenda em cruz convencional e alinhe o indicador de ângulo ao longo da marca de 0° (ver figura W).

Ajustar o ângulo de meia-esquadria padrão vertical de 45° (direita)

- Coloque a ferramenta elétrica na posição de trabalho.
- Rode a mesa de serrar (29) até ao entalhe (15) para 0°. A alavanca tem de engatar perceptivelmente no entalhe.
- Remova o carril limitador ajustável direito (19).
- Rode o batente direito (41), até que o ângulo de meia-esquadria padrão de 45° engate na marcação da seta.
- Puxe a tecla de bloqueio (13) para cima.
- Rode o botão de regulação (21) para a esquerda e oscile o braço da ferramenta no punho (5) até ao batente para a direita.

Verificar (ver figura U1)

- Coloque o esquadro (62) com o ângulo de 45° à face com o disco de serra (49) entre a mesa de serra (29) e o disco de serra à direita sobre a mesa de serra.

O lado do esquadro tem de ficar alinhado em todo o comprimento com o disco de serra (49).

Ajustar (ver figura U2)

- Solte a contraporca do parafuso batente (40) com uma chave anular ou uma chave de bocas convencional.
- Enrosque ou desenrosque o parafuso batente (40), até que o lado do esquadro (62) fique alinhado no comprimento completo com o disco de serra.
- Volte a pressionar a tecla de bloqueio (13) para baixo.
- De seguida, volte a apertar a contraporca do parafuso batente (40).

Se, após o ajuste, o indicador de ângulo (55) não estiver em linha com a marca de 45° da escala (56), verifique primeiro novamente o ajuste de 0° para o ângulo de meia-esquadria vertical e o indicador de ângulo. De seguida, repita o ajuste do ângulo de meia-esquadria vertical de 45°.

Alinhar o carril limitador

- Coloque a ferramenta elétrica na posição de transporte.
- Solte o manípulo de fixação (12), caso este esteja apertado.
- Pressione a tecla de bloqueio (11) para baixo e rode a mesa de serra (29) até ao entalhe (15) para 0°.
- Volte a soltar a tecla de bloqueio (11). A mesa de serra tem de engatar perceptivelmente no entalhe.
- Remova os carris limitadores ajustáveis (19).

Verificar (ver figura V1)

- Coloque o esquadro (62) com o ângulo de 90° à face com o disco de serra (49) entre o carril limitador (18) e o disco de serra sobre a mesa de serra (29).

O lado do esquadro tem de ficar alinhado em todo o comprimento com o carril limitador.

Ajustar (ver figura V2)

- Solte os parafusos de sextavado interior (64) com a chave sextavada interior (24) fornecida.

- Rode o carril limitador **(18)** até o esquadro ficar à face em todo o comprimento.
- Reaperte os parafusos.

Alinhar o indicador de ângulo (vertical) (ver figura W)

- Puxe a tecla de bloqueio **(13)** para cima.
- Rode o botão de regulação **(21)** ligeiramente para a esquerda e oscile o braço da ferramenta da direita sobre a posição 0°, até o mesmo engatar de forma audível na posição 0°.
- Volte a pressionar a tecla de bloqueio **(13)** para baixo.

Verificar

O indicador de ângulo **(55)** tem de estar alinhado numa linha com a marca de 0° na escala **(56)**.

Ajustar

- Desaperte o parafuso **(65)** com a chave de fenda em cruz e alinhe o indicador de ângulo ao longo da marca de 0°.
- Reaperte o parafuso.

Alinhar indicador de ângulo (horizontal) (ver figura X)

- Coloque a ferramenta elétrica na posição de trabalho.
- Rode a mesa de serrar **(29)** até ao entalhe **(15)** para 0°. A alavanca tem de engatar perceptivelmente no entalhe.

Verificar

O indicador de ângulo **(14)** tem de estar alinhado com a marca de 0° na escala **(30)**.

Ajustar

- Desaperte o parafuso **(66)** com a chave de fenda em cruz e alinhe o indicador de ângulo ao longo da marca de 0°.
- Reaperte o parafuso.

Transporte da ferramenta elétrica (ver figura Y)

Antes de um transporte da ferramenta elétrica é necessário executar os seguintes passos:

- Solte o parafuso de fixação **(1)**, caso este esteja apertado. Puxar o braço da ferramenta completamente para frente e reapertar o parafuso de fixação.
 - Assegurar que o batente de profundidade **(22)** está totalmente pressionado para dentro e o parafuso de ajuste **(23)** passa no entalhe ao mover o braço da ferramenta sem tocar no batente de profundidade.
 - Coloque a ferramenta elétrica na posição de transporte.
 - Remover todos os acessórios que não estão montados firmemente na ferramenta elétrica. Se possível, os discos de serra não utilizados devem ser colocados dentro de um recipiente fechado durante o transporte.
 - Transporte a ferramenta elétrica pelo punho de transporte **(4)** ou pelas cavidades **(27)** na lateral da mesa de serra.
- **Ao transportar a ferramenta elétrica, utilize apenas os dispositivos de transporte e nunca os dispositivos de proteção ou os apoios para as peças.**

Manutenção e assistência técnica

Manutenção e limpeza

- **Antes de todos trabalhos na ferramenta elétrica deverá puxar a ficha de rede da tomada.**
- **Manter a ferramenta elétrica e as aberturas de ventilação sempre limpas, para trabalhar bem e de forma segura.**

Se for necessário instalar um cabo de ligação, a instalação deve ser feita pela **Bosch** ou por um centro de serviço autorizado para ferramentas elétricas **Bosch**, para evitar perigos de segurança.

A capa de proteção pendular deve sempre movimentar-se livremente e fechar-se automaticamente. Portanto deverá manter a área em volta da capa de proteção pendular sempre limpa.

Após cada etapa de trabalho deverá remover o pó e as aparas, soprando com ar comprimido ou limpando com um pincel.

Limpe regularmente o rolo de desliz **(32)**.

Medidas para a redução de ruídos

Medidas tomadas pelo fabricante:

- Arranque suave
- Fornecimento com um disco de serra especialmente desenvolvido para a redução de ruídos

Medidas tomadas pelo utilizador:

- Montagem com poucas vibrações, sobre uma superfície de trabalho firme
- Utilização de discos de serra com funções redutoras de ruídos
- Limpeza regular do disco de serra e da ferramenta elétrica

Serviço pós-venda e aconselhamento

O serviço pós-venda responde às suas perguntas a respeito de serviços de reparação e de manutenção do seu produto, assim como das peças sobressalentes. Desenhos explodidos e informações acerca das peças sobressalentes também em: **www.bosch-pt.com**

A nossa equipa de consultores Bosch esclarece com prazer todas as suas dúvidas a respeito dos nossos produtos e acessórios.

Indique para todas as questões e encomendas de peças sobressalentes a referência de 10 dígitos de acordo com a placa de características do produto.

Brasil

Robert Bosch Ltda. – Divisão de Ferramentas Elétricas
Rodovia Anhanguera, Km 98 - Parque Via Norte
13065-900, CP 1195
Campinas, São Paulo
Tel.: 0800 7045 446
www.bosch.com.br/contato

Encontra outros endereços da assistência técnica em:

www.bosch-pt.com/serviceaddresses

Eliminação

Ferramentas elétricas, acessórios e embalagens devem ser enviados a uma reciclagem ecológica de matérias-primas.



Não deitar ferramentas elétricas no lixo doméstico!

中文

安全规章

电动工具通用安全警告

警告！ 阅读所有警告和所有说明！不遵照以下警告和说明会导致电击、着火和 / 或严重伤害。

保存所有警告和说明书以备查阅。

在所有下列的警告中术语“电动工具”指市电驱动（有线）电动工具或电池驱动（无线）电动工具。

工作场地的安全

- ▶ 保持工作场地清洁和明亮。混乱和黑暗的场地会引发事故。
- ▶ 不要在易爆环境，如有易燃液体、气体或粉尘的环境下操作电动工具。电动工具产生的火花会点燃粉尘或气体。
- ▶ 让儿童和旁观者离开后操作电动工具。注意力不集中会使操作者失去对工具的控制。

电气安全

- ▶ 电动工具插头必须与插座相配。绝不能以任何方式改装插头。需接地的电动工具不能使用任何转换插头。未经改装的插头和相配的插座将减少电击危险。
- ▶ 避免人体接触接地表面，如管道、散热片和冰箱。如果你身体接地会增加电击危险。
- ▶ 不得将电动工具暴露在雨中或潮湿环境中。水进入电动工具将增加电击危险。
- ▶ 不得滥用电线。绝不能用电线搬运、拉动电动工具或拔出其插头。使电线远离热源、油、锐边或运动部件。受损或缠绕的软线会增加电击危险。
- ▶ 当在户外使用电动工具时，使用适合户外使用的外接软线。适合户外使用的软线将减少电击危险。
- ▶ 如果在潮湿环境下操作电动工具是不可避免的，应使用剩余电流动作保护器（RCD）。使用RCD可减小电击危险。

人身安全

- ▶ 保持警觉，当操作电动工具时关注所从事的操作并保持清醒。当你感到疲倦，或在有药物、酒精或治疗反应时，不要操作电动工具。在操作电动工具时瞬间的疏忽会导致严重人身伤害。

- ▶ 使用个人防护装置。始终佩戴护目镜。安全装置，诸如适当条件下使用防尘面具、防滑安全鞋、安全帽、听力防护等装置能减少人身伤害。
- ▶ 防止意外启动。确保开关在连接电源和/或电池盒、拿起或搬运工具时处于关断位置。手指放在已接通电源的开关上或开关处于接通时插入插头可能会导致危险。
- ▶ 在电动工具接通之前，拿掉所有调节钥匙或扳手。遗留在电动工具旋转零件上的扳手或钥匙会导致人身伤害。
- ▶ 手不要伸展得太长。时刻注意立足点和身体平衡。这样在意外情况下能很好地控制电动工具。
- ▶ 着装适当。不要穿宽松衣服或佩戴饰品。让衣服、手套和头发远离运动部件。宽松衣服、佩饰或长发可能会卷入运动部件中。
- ▶ 如果提供了与排屑、集尘设备连接用的装置，要确保他们连接完好且使用得当。使用这些装置可减少尘屑引起的危险。
- ▶ 即使由于经常使用电动工具而对此非常熟悉，也不要就认为可以高枕无忧而忽略工具的安全规定。粗心大意的行为可能在瞬间就造成严重的伤害。

电动工具使用和注意事项


- ▶ 不要滥用电动工具，根据用途使用适当的电动工具。选用适当设计的电动工具会使你工作更有效、更安全。
- ▶ 如果开关不能接通或关断工具电源，则不能使用该电动工具。不能用开关来控制的电动工具是危险的且必须进行修理。
- ▶ 在进行任何调节、更换附件或贮存电动工具之前，必须从电源上拔掉插头和/或使电池盒与工具脱开。这种防护性措施将减少工具意外起动的危险。
- ▶ 将闲置不用的电动工具贮存在儿童所及范围之外，并且不要让不熟悉电动工具或对这些说明不了解的人操作电动工具。电动工具在未经培训的用户手中是危险的。
- ▶ 保养电动工具。检查运动件是否调整到位或卡住，检查零件破损情况和影响电动工具运行的其他状况。如有损坏，电动工具应在使用前修理好。许多事故由维护不良的电动工具引发。
- ▶ 保持切削刀具锋利和清洁。保养良好的有锋利切削刃的刀具不易卡住而且容易控制。
- ▶ 按照使用说明书，考虑作业条件和进行的作业来使用电动工具、附件和工具的刀头等。将电动工具用于那些与其用途不符的操作可能会导致危险。
- ▶ 保持手柄和握持表面干燥、清洁、无油污。在突发情况下，滑溜的手柄和握持表面无法确保安全地握持和控制工具。

维修

- ▶ 将你的电动工具送交专业维修人员，使用同样的备件进行修理。这样将确保所维修的电动工具的安全性。

斜切锯安全警告

- ▶ 斜切锯用于锯割木材或类似木材的产品,不能安装切割砂轮来锯割黑色金属材料,如钢筋、棒料、螺栓等。磨屑会导致下护罩等运动部件堵塞,砂轮锯割产生的火花可能会引燃下护罩、锯缝板或其他塑料件。
- ▶ 尽可能使用夹紧装置支撑工件,如果用手支撑工件,必须保持手远离锯片两侧至少100mm。勿使用此锯锯割小到无法被可靠夹持或用手握持的工件。如果您的手离锯片太近会增加接触到锯片受伤的风险。
- ▶ 工件必须定位并被夹紧或抵靠在靠栅和工作台上,不要将工件送入锯片或以任何方式“徒手”锯割。不受约束的或移动的工件有可能会被高速抛出从而造成伤害。
- ▶ 将锯推过工件,不要将锯拉过工件。进行锯割时,抬起锯割装置并从工件上方拉过而不进行锯割,启动电机,向下按压锯割装置并将锯推过工件。在拉动行程上进行锯割可能导致锯片在工件顶部上爬行并猛烈地将锯片组件抛向操作者。
- ▶ 切勿将手越过锯片前方或后方设定的锯割线。“交叉手”握持工件,如用左手来握持锯片右侧工件,或反之,是非常危险的。
- ▶ 当锯片旋转时不要为了清除木片或其他目的而将手从锯片任何一侧在距离刀片100mm 范围内接近靠栅的后方。旋转的锯片接近你的手可能不易被发现从而会导致严重伤害。
- ▶ 锯割前检查工件,如果工件存在弯曲或翘曲,则需将弓形面外侧朝向靠栅夹紧,始终确保工件与靠栅、台面间沿锯割线方向没有间隙。弯曲或翘曲的工件在锯割时会产生扭动或窜动而卡住旋转的锯片。工件中不应有钉子或其他异物。
- ▶ 使用斜切锯前须确保台面上除工件外没有任何工具、木片等。接触锯片的小碎片、松散的木材或其他物体会引起高速抛掷。
- ▶ 每次只能锯割一个工件。多个堆放在一起的工件不能被充分地夹紧或支撑,在锯割过程中容易卡住锯片或发生窜动。
- ▶ 使用前请确保斜切锯被安装或放置在水平结实的工作面上。水平结实的工作表面可以降低斜切锯不稳定的风险。
- ▶ 规划好你的工作。每次改变倾斜角或斜切角的设置要确保可调靠栅能正确地支撑工件并且不干涉锯片或防护装置。在工具没有“开机”且工作台上没有工件时移动锯片进行一次完整的模拟锯割以确保不会有任何干涉或锯割靠栅的危险。
- ▶ 对于宽度或长度超出台面的工件需要为工件提供足够支撑,如延伸台面、锯木架等。长度或宽度超出斜切锯台面的工件如果没有被安全支撑会倾倒。被切断的部分或工件倾倒会抬起下护罩或被旋转的刀片抛出。
- ▶ 不要用另一个人来代替延伸台面或作为辅助支撑。在锯割过程中不可靠的工件支撑会使锯片被卡住或引起工件移位,将你和助手拉入旋转锯片中。

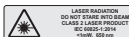
- ▶ 切断的部分不能以任何方式被堵在或挤压在旋转的锯片上。如果受到如长度挡块的限制,切断部分可能会被挤在锯片上并被猛烈抛出。
 - ▶ 当锯割棒或管等圆形材料时,总是使用为此而设计的夹持或固定装置。棒料被锯割时有滚动倾向,会引起锯片“啃料”并将工件连带你的手拉向锯片。
 - ▶ 在锯片接触工件前让其达到全速。这将降低工件被抛出的风险。
 - ▶ 如果工件或锯片被卡住,关闭斜切锯,等所有运动部件停止并从电源上拔出插头并/或取下电池包,然后清理被卡住的材料。在工件被卡住时继续锯割会造成斜切锯的失控或损坏。
 - ▶ 完成锯割后,松开电源开关,继续按住锯割装置,待锯片停止后再清理锯割剩下部分。用手靠近还在转动的锯片是危险的。
 - ▶ 在进行不完全锯割时,或在斜切锯锯割装置未到达完全下压位置之前松开电源开关时,应牢牢握住手柄。斜切锯的刹车动作可能导致锯割装置被突然下拉而引起受伤风险。
 - ▶ 在锯头到达最低位置时,请勿松开手柄。始终用手将锯头引回最高位置。如果锯头不受控制地移动,则有伤害风险。
 - ▶ 工作场地应保持清洁。材料混合特别危险。轻金属粉尘可能会起火燃烧或爆炸。
 - ▶ 不可以使用已经变钝、有裂痕、弯曲或损坏的锯片。锯片如果已经变钝了,或者锯齿变形了,会因为锯缝过小而提高锯割时的磨擦,锯片容易被夹住并造成反弹。
 - ▶ 不可以使用高合金快速钢(HSS)制造的锯片。此类锯片容易折断。
 - ▶ 总是使用轴孔尺寸和形状正确的锯片(金钢石锯片对应圆形孔)。与安装件不匹配的锯片会偏心而引起失控。
 - ▶ 如果电动工具仍在运转,不可以试着清除锯割范围内的锯屑、木屑等等。始终先收回机臂然后再关闭电动工具。
 - ▶ 工作后如果锯片尚未冷却,切勿触摸锯片。工作时锯片会变得非常灼热。
 - ▶ 本电动工具交付时带有一块激光警示牌(见表格“符号及其含义”)。
 - ▶ 如果激光警戒牌的文字并非本国语言,则在第一次使用前,将随附的该国语言的贴纸贴在警戒牌上。
 - ▶ 切勿掩盖了电动工具上的警示牌。
- 

不得将激光束指向人或动物,请勿直视激光束或反射的激光束。可能会致人炫目、引发事故或损伤眼睛。
- ▶ 如果激光束射向眼部,必须有意识地闭眼,立即从光束位置将头移开。
 - ▶ 请不要对激光装置进行任何更改。您可以安全地使用本说明书中描述的设置选项。
 - ▶ 不要让儿童在无人监管的情况下使用电动工具。可能意外地让他人或自己炫目。

图标

以下符号可以帮助您正确地使用本电动工具。请牢记各符号和它们的代表意思。正确了解各符号的代表意思，可以帮助您更有把握更安全地操作本电动工具。

图标及其含义



激光束
不要直视光束
激光等级2



当电动工具运转时，切勿把手放在锯切区域内。碰到锯片会有受伤危险。



请佩戴防尘口罩。



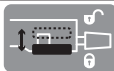
请佩戴护目镜。



请佩戴听力防护装置。工作噪音会损坏听力。



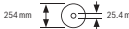
危险区域！手掌、手指或手臂必须尽可能远离该区域。



调整垂直斜切角度时，机臂必须能够自由移动。

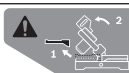
锁定键已向上拉：
可以调整垂直斜切角度。

锁定键已向下按：
保持调整好的垂直斜切角度。

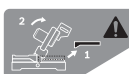


注意锯片的尺寸。孔径必须无间隙地与工具主轴贴合。如果必须使用缩径套，应注意根据锯片厚度、锯片孔径以及刀具主轴直径来匹配缩径套的尺寸。尽可能使用与锯片配套的缩径套。

锯片直径必须与图标上的说明一致。



锯切垂直的斜切角度时，必须将左侧或右侧活动式挡轨取下。



产品和性能说明



请阅读所有安全规章和指示。不遵照以下警告和说明可能导致电击、着火和/或严重伤害。

请注意本使用说明书开头部分的图示。

按照规定使用

本电动工具适合以站立的方式，在木材上进行纵向和横向的直线锯切。水平斜切角度的范围为-47度至+52度，垂直斜切角度的范围为45度（左侧）至45度（右侧）。

本电动工具的功率适合锯切硬木和软木，以及木屑夹板和纤维板。

安装了合适的锯片后，也可以锯切铝制型材和塑料。

插图上的机件

机件的编号和电动工具详解图上的编号一致。

- (1) 拉动装置的固定螺栓
- (2) 拉动装置
- (3) 激光警戒牌
- (4) 运输柄
- (5) 手柄
- (6) 起停开关的开机锁
- (7) 防护罩
- (8) 摆动防护罩
- (9) 安装孔
- (10) 垫板
- (11) 斜切角度的锁定键（水平）
- (12) 任意斜切角度的固定旋钮（水平）
- (13) 斜切角度的锁定键（垂直）
- (14) 斜切角度的角度指示器（水平）
- (15) 标准斜切角度的标记槽（水平）
- (16) 锯台延长件
- (17) 工件座^{a)}
- (18) 固定式挡轨
- (19) 活动式挡轨
- (20) 螺旋夹钳
- (21) 0度斜切角度的调整钮（垂直）
- (22) 限深器
- (23) 限深器的调整螺栓
- (24) 内六角扳手
- (25) 运输固定装置
- (26) 长度限制器
- (27) 握柄槽
- (28) 水平固定孔
- (29) 锯台
- (30) 斜切角度刻度尺（水平）
- (31) 防颠覆装置
- (32) 滑轮

- (33) 主轴锁
 - (34) 激光束发射口
 - (35) 起停开关
 - (36) 激光开关 (锯切线标记)
 - (37) 出屑口
 - (38) 用于固定活动式挡轨的蝶翼螺丝
 - (39) 螺旋夹钳安装孔
 - (40) 右侧斜切角度范围限位螺栓 (垂直)
 - (41) 标准斜切角度45°、22.5°和33.9°的限制器 (垂直)
 - (42) 锯台延长件夹紧螺栓
 - (43) 锯台延长件固定螺栓
 - (44) 工件座固定座 (在电动工具上)
 - (45) 第二个工件座的固定座 (在工件座上)
 - (46) 集尘袋
 - (47) 固定锯片的内六角螺栓
 - (48) 夹紧法兰
 - (49) 锯片
 - (50) 内夹紧法兰
 - (51) 匹配螺杆高度的蝶翼螺丝
 - (52) 螺杆
 - (53) 螺旋夹钳翼形螺栓
 - (54) 螺旋夹钳销子
 - (55) 斜切角度的角度指示器 (垂直)
 - (56) 斜切角度刻度尺 (垂直)
 - (57) 长度限制器的夹紧螺栓
 - (58) 长度限制器导轨
 - (59) 用于固定长度限制器导轨的翼形螺栓
 - (60) 垫板的固定螺栓
 - (61) 激光定位调整螺栓
 - (62) 三角钢
 - (63) 0度斜切角度的限位螺栓 (垂直)
 - (64) 挡轨内六角螺栓
 - (65) 角度指示器螺栓 (垂直)
 - (66) 角度指示器螺栓 (水平)
- a) 并非适用于所有国家规格。

技术参数

斜断锯		GCM 254 D
物品代码		3 601 M53 0..
额定输入功率	瓦	1800
空载转速	转/分钟	4800
激光种类	纳米	650
	毫瓦	< 1
激光等级		2
重量	公斤	17.9
保护等级		□/

斜断锯 GCM 254 D

合适锯片的尺寸

锯片直径	毫米	254
锯片主体的厚度	毫米	1.4-2.5
最大切割宽度	毫米	3
孔直径	毫米	25.4

许可的工件尺寸 (最大/最小) : (参见“许可的工件尺寸”, 页 60)

所有参数适用于230伏的额定电压[U], 对于其他不同的电压和国际规格, 数据有可能不同。

该设备符合IEC 61000-3-11的要求, 并可在特定条件下建立连接。在不利的供电状态下, 设备可能会导致偶尔的电压波动。该设备的阻抗设置为 $Z_{actual} = 0.094 \Omega$ 。用户必须确保设备插入的、阻抗为 Z_{max} 的连接点符合阻抗要求: $Z_{actual} \geq Z_{max}$ 。如果 Z_{max} 未知, 请与网络供应商或供应机构协商确定 Z_{max} 。数值可能因不同产品而异, 并且受到应用和环境条件影响。更多信息请参见www.bosch-professional.com/wac。

安装

- ▶ 避免意外启动电动工具。安装锯片时或在电动工具上所有工作时, 电源插头都不允许连接电源。

供货范围



为此请注意操作说明书开头显示的供货范围。

电动工具初次投入运行前请检查下列零件是否均配套提供:

- 已经安装好锯片的斜断锯
- 集尘袋(46)
- 工件座(17) (2个)
(并非适用于所有国家规格。)
- 螺旋夹钳(20)
- 内六角扳手(24)
- 三角钢(62)
- 锯台延长件(16) (2个)

提示: 检查电动工具是否有损坏之处。

使用电动工具之前, 必须详细检查防护装置或轻微损坏的零件是否仍然运作正常。检查活动性零件是否功能正常不会被夹住, 以及该零件有否受损。所有的零件都必须安装正确, 并且符合规定以确保机器的正常功能。

损坏的防护装置和零件必须按照规定交给合格的专业修理厂修理或更换。

安装各部件

- 小心地从包装中取出所有的供货物品。
- 拆除电动工具和附带附件上的所有包装材料。
- 为了在组装随附的设备元件时简化工作, 请确保电动工具处于运输位置。

安装锯台延长件 (参见插图A1)

您可以在电动工具的左侧或右侧安装锯台延长件。如此有加宽锯台的效果。

- 用十字螺丝刀将固定螺丝(43)从锯台延长件中拧出。
- 翻转电动工具。
- 将电动工具两侧的锯台延长件(16)推入规定的孔中，直至极限位置。
- 将固定螺丝(43)重新拧入锯台延长件，以防拧出。

安装工件座 (参见插图A2)

工件座(17)可以定位在电动工具的左侧、右侧或前侧。灵活的插拔系统可实现各种加长或加宽型号(参见插图G)。

- 您可以按需将工件座(17)插入电动工具上的定位座(44)或第二个工件座的定位座(45)。

切勿用工件座携带电动工具。

运输电动工具时只能使用运输装置。

固定或活动的安装方式

- ▶ 为了能够稳定地操作机器，正式使用之前，必须将电动工具固定在平坦、稳固的工作平面上(例如工作台)。

安装在工作面上 (参见插图B1-B2)

- 使用合适的螺栓连接将电动工具固定在工作面上。为此需要钻孔(9)。

或

- 使用市售螺旋夹钳将电动工具的支撑脚夹紧在工作面上。

安装在博世工作台上

博世的GTA工作台有可调整高度的桌脚，使电动工具能够站立在任何底面上。工作台的工件托架用于支撑住比较长的工件。

- ▶ 阅读工作台附带的所有警告提示和说明。如果不遵守警告提示和说明，可能会导致触电、火灾和/或严重受伤的后果。

- ▶ 安装电动工具之前必须先正确地组装工作台。正确组装工作台非常重要，这样可以避免工作台倒塌。

- 将电动工具以运输位置安装在工作台上。

灵活搭建 (不建议!) (参见插图B3)

如果在特殊情况下无法将电动工具安装在平稳的工作面上，可以暂时使用防颠覆装置配合安装。

- ▶ 如果没有防颠覆装置，则电动工具不稳固，尤其是在水平和/或垂直斜切角度最大锯切时电动工具可能会倾斜。

- 反复旋入或旋出防颠覆装置(31)，直至电动工具直立地站在工作面上。

吸锯尘/吸锯屑

含铅的颜料以及某些木材、矿物和金属的加工废尘有害健康。机器操作者或者工地附近的人如果接触、吸入这些废尘，可能会有过敏反应或者感染呼吸道疾病。

某些尘埃(例如加工橡木或山毛榉的废尘)可能致癌，特别是和处理木材的添加剂(例如木材的防腐

剂等)结合之后。只有经过专业训练的人才能够加工含石棉的物料。

- 尽可能使用适合物料的吸尘装置。

- 工作场所要保持空气流通。

- 最好佩戴P2滤网等级的口罩。

请留心并遵守贵国和加工物料有关的法规。

- ▶ 避免让工作场所堆积过多的尘垢。尘埃容易被点燃。

尘/屑收集装置可能因为废尘、废屑或工件的残屑而造成堵塞。

- 关闭电动工具，并且从插座中拔出插头。

- 静候让锯片完全停止转动。

- 找出造成阻塞的原因，并且排除障碍。

自集尘 (参见插图C)

请使用集尘袋(46)(附件)来轻松收集碎屑。

- 将集尘袋(46)套到出屑口(37)上。

锯割时，集尘袋千万不可以接触转动中的零件。

及时倒空集尘袋中的废尘。

- ▶ 每次操作完毕后，都要检查并且清洁集尘袋。

- ▶ 为了避免造成火灾，锯割铝片时要拆除集尘袋。

外部集尘

集尘时，可以将集尘器软管(直径35毫米)连接到锯屑排口(37)上。

根据工件的物料选择合适的集尘装置。

抽吸可能危害健康、可能导致癌症或干燥的废尘时，务必使用特殊的集尘装置。

更换锯片 (参见插图D1-D4)

- ▶ 在电动工具上进行所有操作之前都必须从插座上拔出电源插头。

- ▶ 安装锯片时务必穿戴防护手套。手如果接触锯片可能被割伤。

所使用的锯片的最高许可转速必须高于电动工具的无负载转速。

根据本说明书中提出的技术数据选择合适的锯片。必须选用通过EN 847-1认证而且标示了此认证的锯片。

只能使用由本电动工具制造商所推荐的锯片，以及适合加工物料的锯片。这可防止锯切时锯齿过热。

拆卸锯片

- 将电动工具调整在工作位置上。

- 将摆动防护罩(8)向后翻，并将其保持在该位置。

- 用内六角扳手(8毫米)(24)转动内六角螺栓(47)，同时按下主轴锁(33)，直到卡紧。

- 按住主轴锁(33)并顺时针拧出内六角螺栓(47)(左螺纹!)。

- 取下夹紧法兰(48)。

- 取下锯片(49)。

- 重新慢慢放下摆动防护罩。

安装锯片

- ▶ 安装时请注意，锯齿的锯切方向(锯片上的箭头方向)必须和防护罩上的箭头方向一致!

必要的话，在安装之前清洁所有的零部件。

- 将摆动防护罩(8)向后翻，并将其保持在该位置。
- 将新锯片放到内夹紧法兰(50)上。
- 装上夹紧法兰(48)和内六角螺栓(47)。按压主轴锁(33)，直至卡止，然后逆时针拧紧内六角螺栓。
- 重新慢慢放下摆动防护罩。

运行

- ▶ **在电动工具上进行所有操作之前都必须从插座上拔出电源插头。**

运输固定装置 (参见插图E)

运输固定装置(25)方便您将电动工具运输到不同的安装位置。

松开电动工具的锁定 (工作位置)

- 通过手柄(5)略微向下按压机臂，以松开运输固定装置(25)。
- 向外完全拉出运输固定装置(25)。
- 慢慢向上提起机臂。

锁定电动工具 (运输位置)

- 如果拉动装置(2)夹住了固定螺丝(1)，则请松开。将机臂向前拉到底，然后重新拧紧固定螺栓以便锁定拉动装置。
- 将调整螺栓(23)向上拧到底。
- 锁定锯台(29)时，请拧紧固定旋钮(12)。
- 通过手柄(5)尽可能地向下滑动机臂，直至将运输固定装置(25)向内压到底。

此时机臂已经被锁定，您可以搬运机器了。

准备工作

为了确保精确的锯切，在频繁使用之后必须检查电动工具的基本设定，必要时进行适度调整。检查时不仅要有足够的经验，而且还要使用特殊工具。

博世的客户服务中心能够快速可靠地执行这项工作。

加长/加宽锯台 (参见插图F-G)

如果工件又长又重，必须在它悬空的末端放上衬垫或做好支撑。

借助锯台延长件(16)可以向左右加长锯台。

- 松开夹紧螺栓(42)。
- 向外拉动锯台延长件(16)，直至达到所需的长度。
- 重新拧紧夹紧螺栓(42)，从而固定锯台加长件。工件座(17)的灵活插拔系统可实现各种加长或加宽型号。
- 您可以按需将工件座(17)插入电动工具上的定位座(44)或第二个工件座的定位座(45)。

- ▶ **切勿用工件座携带电动工具。**
运输电动工具时只能使用运输装置。

取下挡轨 (参见插图H)

在锯切垂直斜切角时，必须取下左侧或右侧活动式挡轨(19)。

- 请松开翼形螺栓(38)。
- 取下活动式挡轨(19)。

锯切垂直斜切角后，再次装入活动式挡轨(19)，然后牢固拧紧翼形螺栓(38)。

固定工件 (参见插图I-13)

为了确保最佳工作安全性，务必固定好工件。不要加工太小而无法固定的工件。

垂直固定

- 把工件紧紧地顶在挡轨(18)和(19)上。
- 将随附的螺旋夹钳(20)插到规定的孔(39)中。
- 拧松翼形螺栓(51)，根据工件调整螺栓夹钳。重新拧紧翼形螺栓。
- 拧紧螺杆(52)，从而固定住工件。

水平固定

- 旋出翼形螺栓(53)，拉开螺旋夹钳。
- 现在将“缩小的”螺旋夹钳(20)及销子(54)插到规定的孔(28)中。
- 将工件牢牢地压在锯台(29)上。
- 拧紧螺杆(52)，从而固定住工件。

放松工件

- 逆时针旋转螺杆(52)，以便松开螺栓夹钳。

调整水平斜切角度

- 将电动工具调整在工作位置上。

调整水平标准斜切角度 (参见插图J)

锯台上设有标记槽(15)，以便快速精确地调整经常使用的水平斜切角度：

左	右
0度	
45度；22.5度；15度	15度；22.5度；45度

- 如果固定旋钮(12)被拧紧了，请先松开。
- 向下按压锁定键(11)，通过固定旋钮向左或向右转动锯台(29)，直至角度指示器(14)指在需要的水平标准斜切角度上。
- 再次松开锁定键(11)。必须可以感觉到锯台卡入标记槽中。
- 再次拧紧固定旋钮(12)。

设定任意水平斜切角度

水平斜切角度可在47度(左侧)至52度(右侧)之间调整。

- 如果固定旋钮(12)被拧紧了，请先松开。
- 向下按压锁定键(11)，通过固定旋钮向左或向右转动锯台(29)，直至角度指示器(14)指在需要的水平斜切角度上。
- 再次松开锁定键(11)。
- 再次拧紧固定旋钮(12)。

调整垂直斜切角度

垂直斜切角度可在45度(左侧)至45度(右侧)之间调整。

为了能够快速且精准地设定经常使用的垂直斜切角度，在0°、22.5°、33.9°和45°上有限制器。

调整左侧垂直斜切角度范围

- 取下左侧活动式挡轨(19)。
- 旋转左侧限制器(41)，直至垂直标准斜切角度45°卡在箭头标识上。
这样就可以使用整个左侧翻转范围。
- 向上拉动锁定键(13)。
- 握住手柄(5)向左摆动机臂，直至角度指示器指在需要的垂直斜切角度上。
- 让机臂保持在这个位置，并重新向下按压锁定键(13)。

调整右侧垂直斜切角度范围

- 取下右侧活动式挡轨(19)。
- 旋转右侧限制器(41)，直至垂直标准斜切角度45°卡在箭头标识上。
这样就可以使用整个右侧翻转范围。
- 向上拉动锁定键(13)。
- 略微向左旋转调整钮(21)，握住手柄(5)向右摆动机臂，直至角度指示器指在需要的垂直斜切角度上。
- 让机臂保持在这个位置，并重新向下按压锁定键(13)。

设定垂直斜切角度 (参见插图K)

- 取下右侧/左侧活动式挡轨(19)。
- 向上拉动锁定键(13)。

标准斜切角度0°:

- 略微向左旋转调整钮(21)，将机臂从右侧摆动到0°位置上方，直至听到其卡在0°位置上。
- 重新向下按压锁定键(13)。

标准斜切角度45°、33.9°和22.5°:

- 旋转左侧或右侧限制器(41)，直至所需垂直标准斜切角度卡在箭头标识上。
- 将机臂向左摆动到限制器。
或
略微向左旋转调整钮(21)，握住手柄(5)将机臂向右摆动到限制器。
- 重新向下按压锁定键(13)。

投入使用

- ▶ **注意电源电压!** 电源的电压必须和电动工具铭牌上标示的电压一致。
- ▶ **锯切之前拧紧固定旋钮(12)，将锁定键(13)向下按压。** 否则锯片可能在工件中倾斜。

接通 (参见插图L)

- 调试电动工具时，请首先按压开机锁(6)。接着将电源开关(35)按到底并按住。

提示: 基于安全的顾虑，电源开关(35)无法被锁定。所以操作机器时必须持续地按住开关。

关机

- 关闭时，请松开电源开关(35)。

锯切

一般性的锯切提示

- ▶ **锯切之前拧紧固定旋钮(12)，将锁定键(13)向下按压。** 否则锯片可能在工件中倾斜。
- ▶ **进行任何锯切之前，必须先确定锯片不会接触挡轨、螺旋夹钳或其它的机件。必要时得拆除辅助挡块，或者适度调整辅助挡块。**

保护锯片免受冲撞和敲击。不可以侧压锯片。

仅锯切已批准使用的材料。

不可以加工变形的工件。工件必须有一道笔直的边，这样才能够紧靠在挡轨上。

如果工件又长又重，必须在它悬空的末端放上衬垫或做好支撑。

检查摆动防护罩的功能是否正常，能否自由移动。向下移动机臂时，必须打开摆动防护罩。向上移动机臂时，必须关闭锯片上方的摆动防护罩并卡在机臂最上方的位置。

操作者的位置 (参见插图M)

- ▶ **不要和电动工具前的锯片站在一条线上，而是要站在锯片的侧面。** 这样可以避免工具回跳而伤到身体。
- 手掌、手指和手臂必须远离转动中的锯片。
- 不要在机臂前交叉双手。

带拉动的锯切

- 对于利用拉动装置(2)进行的锯切(宽工件)，如果固定螺栓(1)被拧紧了，请先松开。
- 必要时，请调整所需的水平和/或垂直斜切角度。
- 把工件紧紧地顶在挡轨(18)和(19)上。
- 根据尺寸正确地夹紧工件。
- 将机臂拉离挡轨(18)，直至锯片位于工件的前方。
- 接通电动工具的电源。
- 通过手柄(5)缓慢向下移动机臂。
- 现在把机臂推向挡轨(18)和(19)方向，然后施力均匀地锯切工件。
- 关闭电动工具并等待，直至锯片完全停止转动。
- 慢慢向上提起机臂。

无拉动锯切(砍锯) (参见插图N)

- 对于无拉动的锯切方式(小工件)，如果固定螺栓(1)被拧紧了，请先松开。把机臂推向挡轨(18)方向的限位，并重新拧紧固定螺栓(1)。
- 必要时，请调整所需的水平和/或垂直斜切角度。
- 把工件紧紧地顶在挡轨(18)和(19)上。
- 根据尺寸正确地夹紧工件。
- 接通电动工具的电源。
- 通过手柄(5)缓慢向下移动机臂。
- 施力均匀地锯切工件。
- 关闭电动工具并等待，直至锯片完全停止转动。
- 慢慢向上提起机臂。

工作提示

标记锯切线 (参见插图 O)

激光束会标出锯片的锯切线。这样您就可以准确地放置好即将锯切的工件，而无需打开摆动防护罩。

- 为此利用开关 (36) 接通激光束。
- 工件上的记号要对准激光线的中间。

提示：锯切前请检查显示的切线是否正确。因为在密集使用机器之后，激光可能会因为震动而出现偏差。

许可的工件尺寸

最大工件：

水平斜切角度	垂直斜切角度	高 x 宽 [毫米]
0度	0度	90 x 310
45度	0度	90 x 210
0度	45度 (左侧)	45 x 310
45度	45度 (左侧)	45 x 210
0度	45度 (右侧)	35 x 310
45度	45度 (右侧)	35 x 210

最小工件 (= 所有可以通过随附的螺旋夹钳(20)夹紧在锯片左侧或右侧的工件)：130 x 50毫米 (长 x 宽)

最大切削深度 (0度/0度)：90毫米

锯切等长的工件 (参见插图P)

简单锯切等长工件时，可以使用长度限制器(26)。

- 松开夹紧螺栓(57)，移动导轨(58)中的长度限制器(26)，直至所需的工件长度。
- 重新拧紧夹紧螺栓(57)。

较长的工件：

- 松开翼形螺栓(59)，将导轨(58)向外拉，直至极限位置。
- 重新拧紧翼形螺栓(59)。
- 将长度限制器(26)调整到所需的工件长度。

无长度限制器锯切：

- 松开夹紧螺栓(57)，将导轨(58)中的长度限制器(26)向外完全移出。
- 将长度限制器旋转90度，直至其与挡轨(18)齐平。
- 重新拧紧夹紧螺栓(57)。

调整限深器 (只在锯切时) (参见插图Q)

锯切凹槽时必须调整限深器。

- 向外翻出限深器(22)。
- 通过手柄(5)将机臂摆动到所需的位置。
- 转动调整螺栓(23)，直至螺栓末端接触到限深器(22)。
- 慢慢向上提起机臂。

特殊工件

锯切弯曲或圆形工件时，必须特别加强固定好工作，以防工件打滑。在锯切线上，工件、挡轨和锯台之间不允许有空隙。

必要时，必须制造专用支架。

更换垫板 (参见插图R)

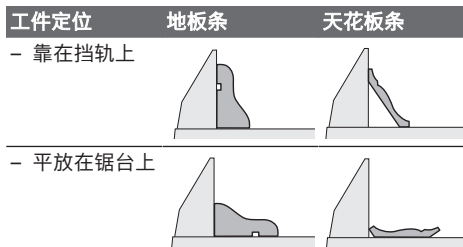
长期使用电动工具之后，垫板(10)会磨损。

更换损坏的垫板。

- 将电动工具调整在工作位置上。
- 用市售十字螺丝刀旋出螺栓(60)，然后取出旧垫板(10)。
- 放入新的垫板，然后重新拧紧螺栓(60)。

加工雕刻的木条

可以使用以下两种不同的方式加工条状型材：



接下来可以根据条状型材的宽度，选择带或不带拉动的锯割方式。

务必先在废木上测试设定好的斜切角度（水平和/或垂直）。

校准激光

提示：要测试激光功能，必须将电动工具连接到电源上。

▶ **校准激光时 (例如移动机臂时)，千万不要按下电源开关。**无意中启动电动工具可能会造成伤害。

- 将电动工具调整在工作位置上。
- 转动锯台(29)，直至达到0度对应的标记槽(15)。必须可以感觉到杆卡入标记槽中。

为了确保精确的锯切，在频繁使用之后必须检查激光束，必要时请重新调整。

检查时不仅要有足够的经验，而且还要使用特殊工具。

博世的客户服务中心能够快速可靠地执行这项工作。

检查 (参见插图S1)

- 在工件上画一条切线。
- 通过手柄(5)缓慢向下移动机臂。
- 调整工件，让锯片上的锯齿靠在锯切线上。
- 让工件保持在这个位置上，重新慢慢向上提起机臂。
- 固定好工件。
- 利用开关(36)接通激光束。

即便在放下机臂的时候，激光也必须和工件上的锯切线在整个长度上对齐。

调整 (参见插图S2)

- 用合适的螺栓起子机旋转调整螺栓(61)，直至在整个长度上激光束与工件上的锯切线齐平。

逆时针方向转动会使激光束从左向右移动，顺时针方向转动会使激光束从右向左移动。

检查和调整基本设定

为了确保精确的锯切，在频繁使用之后必须检查电动工具的基本设定，必要时进行适度调整。

检查时不仅要有足够的经验，而且还要使用特殊工具。

博世的客户服务中心能够快速可靠地执行这项工作。

将垂直标准斜切角度调到0°

- 将电动工具调整在工作位置上。
- 转动锯台(29)，直至达到0度对应的标记槽(15)。必须可以感觉到杆卡入标记槽中。
- 向上拉动锁定键(13)。
- 略微向左旋转调整钮(21)，将机臂从右侧摆动到0°位置上方，直至听到其卡在0°位置上。
- 重新向下按压锁定键(13)。

检查 (参见插图T1)

- 在锯台(29)上将调到90°的三角钢(62)与锯片(49)齐平地放到锯台(29)和锯片之间。
- 三角钢的支脚必须与锯片(49)在整个长度上齐平。

调整 (参见插图T2)

- 用市售环形扳手或开口扳手松开限位螺栓(63)的锁紧螺母。
- 反复旋入或旋出限位螺栓(63)，直至三角钢(62)的支脚与锯片在整个长度上齐平。
- 重新向下按压锁定键(13)。
- 然后，再次拧紧限位螺栓(63)的锁紧螺母。

如果角度指示器(55)在调整后未指向刻度尺(56)的0度标记线，请用市售十字螺丝刀松开螺栓(65)，并沿着0度标记校准角度指示器 (参见插图W)。

将垂直标准斜切角度调到45° (右侧)

- 将电动工具调整在工作位置上。
- 转动锯台(29)，直至达到0度对应的标记槽(15)。必须可以感觉到杆卡入标记槽中。
- 取下右侧活动式挡轨(19)。
- 旋转右侧限制器(41)，直至标准斜切角度45°卡在箭头标识上。
- 向上拉动锁定键(13)。
- 向左旋转调整钮(21)并通过手柄(5)将机臂向右翻到极限位置。

检查 (参见插图U1)

- 在锯台上将调到45°的三角钢(62)与锯片(49)齐平地放到锯台(29)和右侧锯片之间。
- 三角钢的支脚必须与锯片(49)在整个长度上齐平。

调整 (参见插图U2)

- 用市售环形扳手或开口扳手松开限位螺栓(40)的锁紧螺母。
- 反复旋入或旋出限位螺栓(40)，直至三角钢(62)的支脚与锯片在整个长度上齐平。
- 重新向下按压锁定键(13)。
- 然后，再次拧紧限位螺栓(40)的锁紧螺母。

如果角度指示器(55)在调整后未指向刻度尺(56)的45度标记线，首先请再次检查垂直斜切角度的0度设置和角度指示器。然后重复设定45度垂直斜切角度。

校准挡轨

- 将电动工具调整在运输位置上。
- 如果固定旋钮(12)被拧紧了，请先松开。
- 向下按压锁定键(11)，将锯台(29)旋转至0度对应的标记槽(15)。
- 再次松开锁定键(11)。必须可以感觉到锯台卡入标记槽中。
- 取下活动式挡轨(19)。

检查 (参见插图V1)

- 在锯台(29)上将调到90°的三角钢(62)与锯片(49)齐平地放到挡轨(18)和锯片之间。
- 三角钢的支脚必须与挡轨在整个长度上齐平。

调整 (参见插图V2)

- 用随附的内六角扳手(24)松开所有的内六角螺栓(64)。
- 转动挡轨(18)，直到三角钢在整个长度上齐平。
- 重新拧紧螺栓。

对齐角度指示器 (垂直) (参见插图W)

- 向上拉动锁定键(13)。
- 略微向左旋转调整钮(21)，将机臂从右侧摆动到0°位置上方，直至听到其卡在0°位置上。
- 重新向下按压锁定键(13)。

检查

角度指示器(55)必须与刻度尺(56)的0度标记成一条线。

调整

- 用十字螺丝刀松开螺栓(65)，然后沿着0度标记对齐角度指示器。
- 再度拧紧螺丝。

对齐角度指示器 (水平) (参见插图X)

- 将电动工具调整在工作位置上。
- 转动锯台(29)，直至达到0度对应的标记槽(15)。必须可以感觉到杆卡入标记槽中。

检查

角度指示器(14)必须与刻度尺(30)的0度标记成一条线。

调整

- 用十字螺丝刀松开螺栓(66)，然后沿着0度标记对齐角度指示器。
- 再度拧紧螺丝。

运输电动工具 (参见插图Y)

运输电动工具之前必须先执行以下各步骤：

- 如果固定螺栓(1)被拧紧了，请先松开。将机臂向前拉到底，然后重新拧紧固定螺栓。
- 确保限深器(22)已向内压到底并通过开口调节调整螺栓(23)，使机臂在移动时不会碰到限深器。
- 将电动工具调整在运输位置上。

- 拆除所有无法固定安装在电动工具上的附件。运输时必须尽可能把不使用的锯片放置在封闭的盒子中。
- 通过运输手柄(4)抬起电动工具或握住锯台侧面的握柄槽(27)。
- ▶ **运输电动工具时只能使用运输装置，不得使用防护装置或工件座。**

维修和服务

保养和清洁

- ▶ **在电动工具上进行所有操作之前都必须从插座上拔出电源插头。**
- ▶ **电动工具和通气孔必须随时保持清洁，以确保工作效率和工作安全。**

如果必须更换连接线，务必把这项工作交给**Bosch**或者经授权的**Bosch**电动工具顾客服务执行，以避免危害机器的安全性能。

摆动防护罩必须能够无阻地来回摆动，并且要能够自动关闭，所以防护罩的四周必须随时保持清洁。每次工作结束后，使用压缩空气或毛刷清除机器上的灰尘和锯屑。定期清洁滑轮(32)。

降低噪音的措施

制造商提供的方法：

- 缓慢起动
 - 提供特别为了降低噪音而研发的锯片
- 操作者自己能做的措施：
- 将机器安装在稳固的工作面上，可以降低震动
 - 使用具备了降低噪音功能的锯片
 - 定期清洁锯片和电动工具

客户服务和应用咨询

本公司客户服务处负责回答有关本公司产品的修理、维护和备件的问题。备件的展开图纸和信息也可查看：www.bosch-pt.com
博世应用咨询团队乐于就我们的产品及其附件问题提供帮助。

询问和订购备件时，务必提供机器铭牌上标示的10位数物品代码。

中国大陆

博世电动工具（中国）有限公司
中国 浙江省 杭州市
滨江区 滨康路567号
102/1F 服务中心
邮政编码：310052
电话：(0571)8887 5566 / 5588
传真：(0571)8887 6688 x 5566# / 5588#
电邮：bsc.hz@cn.bosch.com
www.bosch-pt.com.cn

制造商地址：

Robert Bosch Power Tools GmbH
罗伯特·博世电动工具有限公司
70538 Stuttgart / GERMANY
70538 斯图加特 / 德国

其他服务地址请见：

www.bosch-pt.com/serviceaddresses

处理废弃物

必须以符合环保要求的方式回收再利用电动工具、附件和包装材料。



不可以把电动工具丢入家庭垃圾中！

产品中有害物质的名称及含量

部件名称	有害物质					
	铅 (Pb)	汞 (Hg)	镉 (Cd)	六价铬 (Cr ⁺⁶)	多溴联苯 (PBB)	多溴二苯醚 (PBDE)
外壳的金属部分	○	○	○	○	○	○
外壳的非金属部分	○	○	○	○	○	○
机械传动机构	X	○	○	○	○	○
电机组件	X	○	○	○	○	○
控制组件	X	○	○	○	○	○
附件	○	○	○	○	○	○
配件	○	○	○	○	○	○
连接件	X	○	○	○	○	○
电源线①	X	○	○	○	○	○
电池系统②	X	○	○	○	○	○

本表格依据SJ/T11364的规定编制。

O: 表示该有害物质在该部件所有均质材料中的含量均在GB/T 26572规定的限量要求以下。

X: 表示该有害物质至少在该部件的某一均质材料中的含量超出GB/T 26572规定的限量要求。且目前业界没有成熟的替代方案，符合欧盟RoHS指令环保要求。

① 适用于采用电源线连接供电的产品。

② 适用于采用充电电池供电的产品。

产品环保使用期限内的使用条件参见产品说明书。

繁體中文

安全注意事項

電動工具通用安全警告

警告 請詳讀工作臺及電動工具的所有安全警告與使用說明。若不遵照以下列出的指示，將可能導致電擊、著火和 / 或人員重傷。

保存所有警告和說明書以備查閱。

在所有警告中，「電動工具」此一名詞泛指：以市電驅動的（有線）電動工具或是以電池驅動的（無線）電動工具。

工作場地的安全

- ▶ 保持工作場地清潔和明亮。混亂和黑暗的場地會引發事故。
- ▶ 不要在易爆環境，如有易燃液體、氣體或粉塵的環境下操作電動工具。電動工具產生的火花會點燃粉塵或氣體。
- ▶ 讓兒童和旁觀者離開後操作電動工具。注意力不集中會使您失去對工具的控制。

電氣安全

- ▶ 電動工具插頭必須與插座相配。絕不能以任何方式改裝插頭。需接地的電動工具不能使用任何轉換插頭。未經改裝的插頭和相配的插座將減少電擊危險。
- ▶ 避免人體接觸接地表面，如管道、散熱片和冰箱。如果您身體接地會增加電擊危險。
- ▶ 不得將電動工具暴露在雨中或潮濕環境中。水進入電動工具將增加電擊危險。
- ▶ 不得濫用電線。絕不能用電線搬運、拉動電動工具或拔出其插頭。使電線遠離熱源、油、銳利邊緣或移動零件。受損或纏繞的軟線會增加電擊危險。
- ▶ 當在戶外使用電動工具時，使用適合戶外使用的延長線。適合戶外使用的軟線，將減少電擊危險。
- ▶ 如果在潮濕環境下操作電動工具是不可避免的，應使用剩餘電流動作保護器（RCD）。使用RCD可降低電擊危險。

人身安全

- ▶ 保持警覺，當操作電動工具時關注所從事的操作並保持清醒。當您感到疲倦，或在有藥物、酒精

或治療反應時，不要操作電動工具。在操作電動工具時瞬間的疏忽會導致嚴重人身傷害。

- ▶ 使用個人防護裝置。始終佩戴護目鏡。安全裝置，諸如適當條件下使用防塵面具、防滑安全鞋、安全帽、聽力防護等裝置能減少人身傷害。
- ▶ 防止意外起動。確保開關在連接電源和 / 或電池盒、拿起或搬運工具時處於關閉位置。手指放在已接通電源的開關上或開關處於接通時插入插頭可能會導致危險。
- ▶ 在電動工具接通之前，拿掉所有調節鑰匙或扳手。遺留在電動工具旋轉零件上的扳手或鑰匙會導致人身傷害。
- ▶ 手不要伸展得太長。時刻注意立足點和身體平衡。這樣在意外情況下能很好地控制電動工具。
- ▶ 著裝適當。不要穿寬鬆衣服或佩戴飾品。讓您的衣物及頭髮遠離運動部件。寬鬆衣服、佩飾或長髮可能會捲入運動部件中。
- ▶ 如果提供了與排屑、集塵設備連接用的裝置，要確保他們連接完好且使用得當。使用這些裝置可減少塵屑引起的危險。
- ▶ 切勿因經常使用工具所累積的熟練感而過度自信，輕忽工具的安全守則。任何一個魯莽的舉動都可能瞬間造成人員重傷。

電動工具使用和注意事項

- ▶ 不要濫用電動工具，根據用途使用適當的電動工具。選用適當設計的電動工具會使您工作更有效、更安全。
- ▶ 如果開關不能開啟或關閉工具電源，則不能使用該電動工具。不能用開關來控制的電動工具是危險的且必須進行修理。
- ▶ 在進行任何調整、更換配件或貯存電動工具之前，必須從電源上拔掉插頭並 / 或取出電池盒。這種防護性措施將減少工具意外起動的危險。
- ▶ 將閒置不用的電動工具貯存在兒童所及範圍之外，並且不要讓不熟悉電動工具或對這些說明不瞭解的人操作電動工具。電動工具在未經培訓的用戶手中是危險的。
- ▶ 保養電動工具與配備。檢查運動件是否調整到位或卡住，檢查零件破損情況和影響電動工具運行的其他狀況。如有損壞，電動工具應在使用前修理好。許多事故由維護不良的電動工具引發。
- ▶ 保持切削刀具鋒利和清潔。保養良好的有鋒利切削刃的刀具不易卡住而且容易控制。
- ▶ 按照使用說明書，考慮作業條件和進行的作業來使用電動工具、配件和工具的刀頭等。將電動工

具用於那些與其用途不符的操作可能會導致危險。

- ▶ 把手及握持區應保持乾燥、潔淨，且不得沾染任何油液或油脂。易滑脫的把手及握持區將無法讓您在發生意外狀況時安全地抓緊並控制工具。

檢修

- ▶ 將您的電動工具送交專業維修人員，必須使用同樣的備件進行更換。這樣將確保所維修的電動工具的安全性。

角度切斷機的安全警告

- ▶ 角度切斷機主要用於切割木材或質地相似之產品，無法搭配切割砂輪用於切割金屬類材料，如鋼筋、金屬桿、螺柱等。砂磨粉塵會使運動元件（例如下擋板）卡住。砂輪切割產生的火花會燒到下擋板、墊片與其他塑料零件。
- ▶ 請盡量利用夾具固定加工件。若用手握持加工件，手與鋸片兩側應保持至少100 mm的距離。請勿用此鋸片切割過小而無法固定或需用手握持的工件。若您手太靠近鋸片，會增加因接觸鋸片而受傷的風險。
- ▶ 加工件需保持固定，並使用圍欄與工作台進行固定。請勿將加工件朝鋸片方向送入或「徒手」進行切割。未固定或移動的加工件可能高速拋出而造成人員受傷。
- ▶ 請推動鋸片通過加工件。切勿拉動鋸片通過加工件。切割時，請將鋸頭升高並拉出而不要與加工件接觸，接著將鋸頭下壓再推動鋸片通過加工件。以拉動方式進行切割會造成鋸片移至加工件上，而使鋸片組件突然射向操作員。
- ▶ 請勿將手穿過鋸片切割路線的上方。以「雙手交叉」的方式握持加工件，例如以左手將加工件握在鋸片右側（反之亦然），是非常危險的。
- ▶ 當鋸片仍在轉動時，不論是為了取下剩餘的木材或任何原因，請勿將雙手伸過圍欄靠近鋸片至100 mm以內。您的手可能因不慎靠近轉動的鋸片而造成嚴重的傷害。
- ▶ 在切割前請先檢視您的加工件。若加工件呈現弓形或有彎曲，在固定時請將彎曲面的凸緣朝向圍欄。請隨時讓加工件、圍欄與工作台在切割線上保持切齊。變形或彎曲的加工件可能會扭曲或偏移而在切割時卡到轉動的鋸片。在加工件中不可有釘子等外物。
- ▶ 在使用鋸片前請先將工作台上的工具、木屑等淨空，僅留下加工件。小型碎屑、鬆脫的木材或其他物件如接觸到轉動之鋸片可能會高速射出。
- ▶ 一次只切割一片加工件。將多個加工件疊起來不易固定或支撐，故可能會在切割時卡住鋸片或偏移。
- ▶ 使用前請確實將角度切斷機安裝或放置在水平、堅固的工作面上。水平且堅固的工作面可降低使角度切斷機不穩定的風險。
- ▶ 作業前請先做規劃。每次變動傾斜或斜角的設定時，請記得調整圍欄使其能正確支撐加工件且不會影響到防護系統。當機具未「開啟」且工作台上無加工件的情況下，先模擬移動鋸片以確認其不會受到任何影響或有切割到圍欄的風險。

- ▶ 遇到較工作台更長或更寬的加工件時，請用工作台延伸裝置、鋸木架等協助固定。若未確實固定超出角度切斷機的加工件，則加工件可能會翻倒。若切斷的物品或加工件翻倒，可能會使下擋板翻起或物品被轉動的鋸片射出。
- ▶ 請勿讓其他人員擔任工作台延伸裝置或額外支撐物的角色。未固定加工件在切割時會造成刀片卡住或使加工件移動而使您與助手偏向鋸片。
- ▶ 切除的物件不可卡住或靠近轉動的鋸片。若加以限制（如使用長度擋片），切除的物件可能會接觸到鋸片而突然射出。
- ▶ 請隨時利用固定裝置或夾具將圓形材料如桿子、管子等妥善固定。桿子在切割時容易滾動，使鋸片卡住而將加工件連同您的手一起「捲入」鋸片中。
- ▶ 在讓鋸片接觸加工件時，請先讓刀片達到全速運轉的狀態。如此可降低加工件射出的風險。
- ▶ 若加工件或鋸片卡住，請將角度切斷機關閉。請等候移動零件停止再將插頭從電源拔掉及/或取下電池組。接著再設法清除卡住的材料。在加工件卡住的狀態下繼續鋸切會造成失控或角度切斷機損壞。
- ▶ 在切割完畢後，請鬆開開關、保持鋸頭朝下等候鋸片停止，然後再取下切開的加工件。用手靠近急轉的鋸片非常危險。
- ▶ 當切割不完整或在鋸頭未完全處於下方位置時鬆開開關，請握緊握把。鋸片的煞車動作會造成鋸頭突然下拉而有受傷的風險。
- ▶ 鋸頭到達最低位置時，請勿鬆開手把手。隨時用手將鋸頭放回最高位置。若鋸頭失控，則有受傷的風險。
- ▶ 作業區請保持整潔。複合材質是極具危險性的材質。輕質合金粉塵可能會起火或爆炸。
- ▶ 不可以使用已經變鈍、有裂痕、彎曲或損壞的鋸片。鋸片如果已經變鈍了，或者鋸齒變形了，會因為鋸縫過小而提高鋸割時的磨擦，鋸片容易被夾住並造成反彈。
- ▶ 不可以使用高合金快速鋼（HSS）製造的鋸片。此類鋸片容易折斷。
- ▶ 請務必使用具備正確尺寸和心軸形狀（鑽石或圓形）的鋸片。不符合鋸片安裝硬體的刀片在運轉時將會偏離中心，進而導致失控。
- ▶ 如果電動工具仍在運轉，不可以試著清除切割範圍內的鋸屑、木屑等。先收回機臂然後再關閉電動工具。
- ▶ 加工後如果鋸片尚未冷卻，切勿觸摸鋸片。工作時鋸片會變得非常灼熱。
- ▶ 本電動工具出貨時皆有附掛雷射警示牌（詳見「符號和它們的代表意義」一覽表）。
- ▶ 雷射警示牌上的內容若不是以貴國語言書寫，則請於第一次使用前將隨附的當地語言說明貼紙貼覆於其上。
- ▶ 謹慎對待電動工具上的警告標示，絕對不可讓它模糊不清而無法辨識。



請勿將雷射光束對準人員或動物，您本人亦不可直視雷射光束或使雷射光束反射。因為這樣做可能會對他人眼睛產生眩光，進而引發意外事故或使眼睛受到傷害。

- ▶ 萬一雷射光不小心掃向眼睛，應立刻閉上眼睛並立刻將頭轉離光束範圍。
- ▶ 請勿對本雷射裝備進行任何改造。您可以放心使用本操作說明書中所述及的設定方法。
- ▶ 不可放任兒童在無人監督之下使用本電動工具。他們可能會不小心對他人或自己的眼睛產生眩光。

符號

以下符號可以幫助您正確地使用本電動工具。請牢記各符號和它們的代表意義。正確了解各符號代表的意義，可以幫助您更有把握更安全地操作本電動工具。

符號和它們的代表意義



雷射光束
請勿直視光束
雷射等級 2



當電動工具運轉時，切勿把手伸進鋸切範圍內。手若觸碰鋸片有被割傷的危險。



請佩戴防塵面罩。



請佩戴護目鏡。



請佩戴耳罩。工作噪音會損壞聽力。



危險範圍！手掌、手臂和手指頭必須儘可能遠離此範圍。

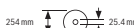


如需設定偏好的垂直斜鋸角，機臂必須能夠自由移動。

拉起鎖止按鈕：
可以調整垂直斜鋸角。

按下鎖止按鈕：
維持調整過的垂直斜鋸角。

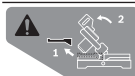
請注意鋸片尺寸。鋸片上的內孔直徑必須和工具主軸完全吻合，不能有空隙。如果必須使用異徑管，則



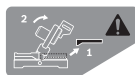
符號和它們的代表意義

應注意：異徑管尺寸必須與鋸片主體厚度、鋸片內孔直徑以及工具主軸直徑相配。請儘可能使用鋸片隨附的異徑管。

鋸片直徑必須與符號上的數值相符。



切割垂直斜鋸角時，必須拆除左 / 右側可調式止動滑軌。



產品和功率描述



請詳讀所有安全注意事項和指示。如未遵守安全注意事項與指示，可能導致火災、人員遭受電擊及 / 或重傷。

請留意操作說明書中最前面的圖示。

依規定使用機器

本電動工具適合以站立的方式，在木材上進行縱向和橫向的直線鋸切。同時水平斜鋸角為 -47° 至 $+52^\circ$ ，垂直斜鋸角為 45° （左側）至 45° （右側）。

本電動工具的功率適合鋸切硬木和軟木，以及塑合板與纖維板。

安裝合適的鋸片後，也可以鋸切鋁製型材和塑膠。

插圖上的機件

機件的編號和電動工具詳解圖上的編號一致。

- (1) 拉引裝置的止付螺栓
- (2) 拉引裝置
- (3) 雷射警示牌
- (4) 搬運把手
- (5) 把手
- (6) 起停開關的作動安全鎖
- (7) 防護罩
- (8) 活動防護罩
- (9) 安裝孔
- (10) 嵌補板
- (11) 斜鋸角的鎖止按鈕（水平）
- (12) 偏好斜鋸角的鎖定旋鈕（水平）
- (13) 斜鋸角的鎖止按鈕（垂直）
- (14) 斜鋸角的角度指示器（水平）
- (15) 基本斜鋸角的刻槽（水平）
- (16) 鋸台延長件
- (17) 工件托架^{a)}
- (18) 固定式止動滑軌
- (19) 可調式止動滑軌

- (20) 活動夾鉗
- (21) 0° 斜鋸角調整鈕 (垂直)
- (22) 限深擋塊
- (23) 限深擋塊的校正螺栓
- (24) 內六角扳手
- (25) 搬運固定裝置
- (26) 長度擋塊
- (27) 把手凹槽
- (28) 水平固定孔。
- (29) 鋸台
- (30) 斜鋸角刻度尺 (水平)
- (31) 防傾保護設計
- (32) 滑輪
- (33) 主軸鎖
- (34) 雷射光束射出口
- (35) 起停開關
- (36) 雷射起停開關 (標示鋸線)
- (37) 出屑口
- (38) 蝶翼螺栓, 用來固定可調式止動滑軌
- (39) 活動夾鉗安裝孔
- (40) 右側斜鋸角範圍的止動螺栓 (垂直)
- (41) 基本斜鋸角 45°、22.5° 和 33.9° 的擋塊 (垂直)
- (42) 鋸台延長件的止付螺栓
- (43) 鋸台延長件的防鬆螺栓
- (44) 工件托架支座 (在電動工具上)
- (45) 第二個工件托架的支座 (在工件托架上)
- (46) 集塵袋
- (47) 固定鋸片的內六角螺栓
- (48) 緊固法蘭
- (49) 鋸片
- (50) 內側緊固法蘭
- (51) 蝶翼螺栓, 可將螺桿調整至適當高度
- (52) 螺桿
- (53) 活動夾鉗蝶翼螺栓
- (54) 活動夾鉗樺頭
- (55) 斜鋸角的角度指示器 (垂直)
- (56) 斜鋸角刻度尺 (垂直)
- (57) 長度擋塊的止付螺栓
- (58) 平行擋塊的導軌
- (59) 用於固定平行擋塊導軌的蝶翼螺栓
- (60) 嵌補板的固定螺栓
- (61) 雷射定位調整螺栓
- (62) 三角尺
- (63) 0° 斜鋸角的止動螺栓 (垂直)
- (64) 止動滑軌的內六角螺栓
- (65) 角度指針的固定螺栓 (垂直)

(66) 角度指示器的固定螺栓 (水平)

a) 並非所有國家的特定規格均可使用。

技術性數據

斜斷鋸		GCM 254 D
產品機號		3 601 M53 0..
額定輸入功率	W	1800
無負載轉速	次 / 分	4800
雷射種類	nm	650
	mW	< 1
雷射等級		2
重量	kg	17.9
絕緣等級		□/II
適用鋸片的尺寸		
鋸片直徑	mm	254
鋸片主體的厚度	mm	1,4-2,5
最大鋸切寬度	mm	3
孔徑	mm	25,4

容許的工件尺寸 (最大 / 最小) : (參見「容許的工件尺寸」, 頁 70)

本說明書提供的參數是以 230 伏特為依據, 於低電壓地區, 此數據有可能不同。

本設備符合 IEC 61000-3-11 要求且限於有條件連接。不合適的電力狀態下會導致本設備偶發性的電壓波動。本設備的阻抗設定為 $Z_{\text{actual}} = 0.094 \Omega$ 。使用者必須確認用於接上設備的連接點阻抗為 Z_{max} , 且符合阻抗要求: $Z_{\text{actual}} \geq Z_{\text{max}}$ 。若 Z_{max} 不明, 請洽詢電力網路提供商或電力公司以確定 Z_{max} 的數值。

數值可能因產品而異, 並受使用條件以及環境條件影響。進一步資訊請見 www.bosch-professional.com/wac。

安裝

- ▶ 請避免意外啟動電動工具。安裝時以及進行電動工具的維護修理工作時, 機器的插頭都不可以插在插座中。

供貨範圍



對此, 請您留意操作說明書開頭處的供貨範圍說明。

初次使用本電動工具之前, 先檢查以下各部件是否包含在供貨範圍中:

- 已安裝鋸片的斜斷鋸
- 集塵袋 (46)
- 工件托架 (17) (2 件)
(並非所有國家的特定規格均可使用。)
- 活動夾鉗 (20)
- 內六角扳手 (24)
- 三角尺 (62)
- 鋸台延長件 (16) (2 件)

提示: 檢查電動工具是否有壞損之處。使用電動工具之前, 必須仔細檢查防護裝置或輕微損壞的零件是否仍然運作正常。檢查活動零件是否

功能正常、沒有被卡死，以及是否有任何零件有否受損。所有零件都必須安裝正確，並且符合規定以確保機器能夠正常運作。
損壞的防護裝置和零件必須按照規定交給合格的專業修理廠修理或更換。

安裝各部件

- 小心地從包裝中取出所有隨附零件。
- 拆除電動工具和隨附配件上的所有包裝材料。
- 為方便作業，安裝隨附的裝置元件時請注意，電動工具應位於搬運位置。

安裝鋸台延長件（請參考圖 A1）

您可以在電動工具的左側或右側安裝延伸架。如此有加寬鋸台延長件的效果。

- 使用十字螺絲起子將防鬆螺栓 (43) 從鋸台延長件旋出。
- 使電動工具傾斜。
- 將鋸台延長件 (16) 從電動工具兩側往其專用開孔推入到底。
- 為防止拉出，請將防鬆螺栓 (43) 再次旋入鋸台延長件。

安裝工件托架（請參考圖 A2）

工件托架 (17) 可定位在電動工具左方、右方或前方。彈性插拔系統可用於加裝多種加長或加寬裝置（請參考圖 G）。

- 根據需求將工件托架 (17) 插入電動工具上的支座 (44) 或第二個工件托架的支座 (45) 內。
- ▶ **請勿從工件托架抬起電動工具。**
搬動電動工具時只能使用搬運裝置。

固定安裝方式或活動安裝方式

- ▶ **為了能夠穩定地操作機器，正式使用機器之前，必須把電動工具固定在平坦、穩固的工作平面上（例如工作桌）。**

安裝在工作平面上（請參考圖 B1-B2）

- 使用合適的夾鉗把電動工具固定在工作平面上。必須利用安裝孔 (9) 來進行固定。

或

- 也可以使用一般市售活動夾鉗，夾住電動工具的支撐腳以便將它固定在工作平面上。

安裝在博世工作桌上

博世的 GTA 工作桌擁有可調整高度的桌腳，使電動工具能夠穩固站立在任何底座上。工作桌的工件托架可以支撐較長工件。

- ▶ **請詳讀工作桌附帶的所有警告指示和說明。**若未遵循警告指示和說明可能遭受電擊、發生火災並 / 或造成嚴重傷害。
- ▶ **安裝電動工具之前必須先正確地組裝工作桌。**重點是要正確地組裝工作桌，如此可以避免工作桌倒塌。
- 把電動工具調整至搬運位置並將其安裝在工作台上。

活動式架設（不建議！）（請參考圖 B3）

如果電動工具在某些例外狀況下無法固定在平坦、穩固的工作平面上，您可以利用防傾保護設計進行架設，以做為權宜之策。

- ▶ **電動工具在沒有防傾保護設計下無法穩固站立，尤其在鋸切最大水平及 / 或垂直斜鋸角時極有可能翻傾。**
- 向內轉動或向外轉動防傾保護設計 (31)，使電動工具能夠正好站立在工作平面上。

吸除廢塵 / 料屑

含鉛顏料、部分木材種類、礦石和金屬的加工廢塵有害健康。機器操作者或施工現場附近的人員如果接觸、吸入這些廢塵，可能會引發過敏反應或感染呼吸道疾病。

某些塵埃（例如加工橡木或山毛櫸的廢塵）可能致癌，特別是與處理木材的添加劑（例如木材的防腐劑等）結合之後。唯有受過專業訓練的人才能夠進行含石棉物料的加工。

- 儘可能使用適合物料的吸塵裝置。
- 工作場所要保持空氣流通。
- 建議佩戴 P2 過濾等級的口罩。

請留意並遵守貴國的物料加工相關法規。

- ▶ **避免讓工作場所堆積過多的塵垢。**塵埃容易被點燃。

廢塵 / 料屑收集裝置可能被廢塵、廢屑或工件殘屑堵塞。

- 關閉電動工具，並且從插座中拔出插頭。
- 請您稍候，讓鋸片完全停止轉動。
- 找出造成堵塞的原因，並排除障礙。

機器本身的吸塵裝備（請參考圖 C）

為了方便收集料屑，請使用集塵袋 (46)（配件）。

- 將集塵袋 (46) 套在出屑口 (37) 上。
- 鋸切時，集塵袋千萬不可以接觸轉動中的機具零件。

適時倒空集塵袋中的廢塵。

- ▶ **每次操作完畢後，都要檢查並且清潔集塵袋。**
- ▶ **為了避免造成火災，鋸切鋁片時要拆除集塵袋。**

外接其他吸塵裝置

若要吸塵，您也可在出屑口 (37) 接上吸塵器軟管（直徑 35 mm）。

根據工件材質選擇合適的吸塵器。

吸集可能危害健康、可能致癌或乾燥的廢塵時，務必使用特殊吸塵器。

更換鋸片（請參考圖 D1-D4）

- ▶ **維修電動工具或換裝零、配件之前，務必從插座上拔出插頭。**
- ▶ **安裝鋸片時務必穿戴防護手套。**碰觸到鋸片可能被割傷。

所使用的鋸片其最高容許轉速必須高於電動工具的無負載轉速。

根據本說明書中提出的特性參數選擇合適的鋸片。必須選用通過 EN 847-1 認證並具有認證標示的鋸片。

只能使用本電動工具製造商所推薦的鋸片，以及加工物料適用的鋸片。唯有這樣做才能避免鋸切時發生鋸齒過熱的情形。

拆卸鋸片

- 把電動工具調整至工作位置。
- 將活動防護罩 (8) 往後翻轉，然後讓它保持在這個位置上。
- 用內六角扳手 (8 mm) (24) 旋轉內六角螺栓 (47) 並同時按壓主軸鎖 (33)，讓它卡緊。
- 按壓主軸鎖 (33) 不要放開，並沿順時針方向將內六角螺栓 (47) 旋出 (左旋螺紋！)。
- 取下緊固法蘭 (48)。
- 取出鋸片 (49)。
- 重新慢慢放下活動防護罩。

安裝鋸片

▶ 安裝時請注意，鋸齒的鋸切方向 (即鋸片上的箭頭指示方向) 必須與防護罩上的箭頭指示方向一致!

必要時，請在安裝前清潔所有待安裝的零部件。

- 將活動防護罩 (8) 往後翻轉，然後讓它保持在這個位置上。
- 將新鋸片裝到內側緊固法蘭 (50) 上。
- 裝上緊固法蘭 (48) 和內六角螺栓 (47)。按壓主軸鎖 (33)，直到其卡緊，接著再沿逆時針方向旋緊內六角螺栓。
- 重新慢慢放下活動防護罩。

操作

▶ 維修電動工具或換裝零、配件之前，務必從插座上拔出插頭。

搬運固定裝置 (請參考圖 E)

搬運固定裝置 (25) 可讓您輕鬆將電動工具搬運至不同工作地點。

解開電動工具的鎖定 (工作位置)

- 從把手 (5) 處將機臂略微往下推，即可解開搬運固定裝置 (25)。
- 將搬運固定裝置 (25) 拉至最外側。
- 慢慢向上提起機臂。

鎖定電動工具 (搬運位置)

- 止付螺絲 (1) 若將拉引裝置 (2) 卡死，請將該螺絲鬆開。向前完全拉出機臂，並重新旋緊止付螺絲以便固定拉引裝置。
- 將校正螺栓 (23) 旋轉至最上方。
- 旋緊鎖定旋鈕 (12)，即可固定鋸台 (29)。
- 將把手 (5) 上的機臂往下拉至，搬運固定裝置 (25) 能夠推至最內側的程度。

此時機臂已經被鎖定，您可以搬運機器了。

正式運作前的準備工作

為確保精準鋸切，頻繁使用之後必須檢查電動工具的基本設定，必要時須適度調整。

檢查時不但要具備足夠的經驗，而且得使用特殊工具。

博世客戶服務中心能夠既快速又可靠地執行這項工作。

延長 / 加寬鋸台 (請參考圖 F-G)

如果工件又長又重，必須在它懸空的末端底下墊上襯墊或做好支撐。

鋸台可藉由鋸台延長件 (16) 往左及往右延伸。

- 鬆開止付螺栓 (42)。
- 將鋸台延長件 (16) 往外拉至所需長度。
- 將止付螺栓 (42) 重新旋緊，以便固定鋸台延長件。

工件托架 (17) 的彈性插拔系統可用於加裝多種加長或加寬裝置。

- 根據需求將工件托架 (17) 插入電動工具上的支座 (44) 或第二個工件托架的支座 (45) 內。

▶ 請勿從工件托架抬起電動工具。
搬動電動工具時只能使用搬運裝置。

拆除止動滑軌 (請參考圖 H)

鋸切垂直斜鋸角時，必須將左 / 右側可調式止動滑軌 (19) 拆除。

- 鬆開蝶翼螺栓 (38)。
- 拆除可調式止動滑軌 (19)。

鋸切好垂直斜鋸角之後，請將可調式止動滑軌 (19) 重新裝入，並將蝶翼螺栓 (38) 旋緊。

固定工件 (請參考圖 I1-I3)

為了確保工作安全，請務必固定好工件。

不可以加工太小而無法固定的工件。

垂直固定

- 將工件往止動滑軌 (18) 和 (19) 壓緊固定。
- 將隨附的活動夾鉗 (20) 插進任一專為其設置的孔洞 (39)。
- 鬆開蝶翼螺栓 (51) 並配合工件調整活動夾鉗。重新鎖緊蝶翼螺栓。
- 將螺桿 (52) 牢牢旋緊，以便固定工件。

水平固定

- 旋出蝶翼螺栓 (53) 並拉開活動夾鉗。
- 現在將「縮小」的活動夾鉗 (20) 連同榫頭 (54) 插進任一專為其設置的孔洞 (28)。
- 將工件壓緊在鋸台 (29) 上。
- 將螺桿 (52) 牢牢旋緊，以便固定工件。

放鬆工件

- 請逆時針旋轉螺桿 (52) 即可鬆開活動夾鉗。

調整水平斜鋸角

- 把電動工具調整至工作位置。

設定水平方向的基本斜鋸角 (請參考圖 J)

鋸台上設有刻槽 (15)，讓您能夠快速而精準地調整至經常使用的水平斜鋸角：

左	右
---	---

0°

45°; 22.5°; 15° 15°; 22.5°; 45°

- 鎖定旋鈕 (12) 若已鎖上，請將它鬆開。
- 往下按鎖止按鈕 (11)，轉動鎖定旋鈕便可讓鋸台 (29) 向左或向右移直到角度指示器 (14) 指在所需基本斜鋸角上。
- 再次放開鎖止按鈕 (11)。必須可感覺到鋸台卡入刻槽。
- 將鎖定旋鈕 (12) 重新旋緊。

設定偏好水平斜鋸角

水平斜鋸角的調整範圍介於 47° (左側) 和 52° (右側) 之間。

- 鎖定旋鈕 (12) 若已鎖上，請將它鬆開。
- 往下按鎖止按鈕 (11)，轉動鎖定旋鈕便可讓鋸台 (29) 向左或向右移直到角度指示器 (14) 指在所需斜鋸角上。
- 再次放開鎖止按鈕 (11)。
- 將鎖定旋鈕 (12) 重新旋緊。

設定垂直斜鋸角

垂直斜鋸角的調整範圍介於 45° (左側) 和 45° (右側) 之間。

在 0°、22.5°、33.9° 和 45° 等角度上設有擋塊，可讓您快速而精準地調整至常用的垂直斜鋸角。

調整左側垂直斜鋸角範圍

- 拆除左側可調式止動滑軌 (19)。
- 旋轉左側擋塊 (41)，直到垂直方向的基本斜鋸角 45° 卡在箭頭標記上。
這樣就可以使用整個左側翻轉範圍。
- 將鎖止按鈕 (13) 往上拉。
- 從把手 (5) 處將機臂往左翻轉，直到角度指示器指在所需垂直斜鋸角上。
- 讓機臂保持在這個位置上，然後將鎖止按鈕 (13) 重新往下按。

調整右側的垂直斜鋸角範圍

- 拆除右側可調式止動滑軌 (19)。
- 旋轉右側擋塊 (41)，直到垂直方向的基本斜鋸角 45° 卡在箭頭標記上。
這樣就可以使用整個右側翻轉範圍。
- 將鎖止按鈕 (13) 往上拉。
- 將調整鈕 (21) 略微往左轉，從把手 (5) 處將機臂往右翻轉，直到角度指示器指在所需垂直斜鋸角上。
- 讓機臂保持在這個位置上，然後將鎖止按鈕 (13) 重新往下按。

設定垂直方向的基本斜鋸角 (請參考圖 K)

- 拆除左 / 右側可調式止動滑軌 (19)。
- 將鎖止按鈕 (13) 往上拉。

基本斜鋸角 0°:

- 將調整鈕 (21) 略微往左轉，將機臂從右側翻轉至 0° 位置，直到聽到卡入 0° 位置的聲音。
- 將鎖止按鈕 (13) 重新往下按。

基本斜鋸角 45°、33.9° 和 22.5°:

- 旋轉左側或右側擋塊 (41)，直到垂直方向的基本斜鋸角卡在箭頭標記上。
- 將機臂往左翻轉到底。
或者
將調整鈕 (21) 略微往左轉，從把手 (5) 處將機臂往右翻轉到底。
- 將鎖止按鈕 (13) 重新往下按。

操作機器

- ▶ **注意電源的電壓!** 電源的電壓必須和電動工具銘牌上標示的電壓一致。
- ▶ **鋸切之前務必旋緊鎖定旋鈕 (12) 往下按鎖止按鈕 (13)。** 否則鋸片可能在工件中傾斜。

啟動 (請參考圖 L)

- 若要讓電動工具開始運轉，請先按壓作動安全鎖 (6)。接著再將起停開關 (35) 完全按壓到底，不要放開。

提示: 基於安全考量，無法鎖定起停開關 (35) 的位置，所以操作機器時必須持續按住此開關。

關閉

- 若要關閉，鬆開起停開關 (35) 即可。

鋸切**一般性的鋸切指示**

- ▶ **鋸切之前務必旋緊鎖定旋鈕 (12) 往下按鎖止按鈕 (13)。** 否則鋸片可能在工件中傾斜。
- ▶ **進行任何鋸切之前，必須先確定鋸片不會接觸止動滑軌、活動夾鉗或其它的機件。必要時得拆除輔助擋塊，或者適度調整輔助擋塊。**

保護鋸片，以免受遭衝擊和碰撞。不可以側壓鋸片。

只能鋸切符合規定的材料。

不可以加工已被拉扯移位的工件。工件必須有一道筆直的邊，這樣才能夠貼靠在止動滑軌上。

如果工件又長又重，必須在它懸空的末端底下墊上襯墊或做好支撐。

檢查活動防護罩的功能是否正常，移動防護罩時會不會發生磨擦。將機臂往下移時，活動防護罩必須開啟。將機臂往上移時，活動防護罩必須閉合，蓋在鋸片上，並固定在機臂的最上方位置。

操作者的位置 (請參考圖 M)

- ▶ **不可以站在電動工具前而與鋸片呈一直線，所站位置應要保持在鋸片的側面。** 這樣可以保護身體避免受到反彈力道衝擊。
- 手掌、手指和手臂必須遠離轉動中的鋸片。
- 雙手不得橫放在機臂前方。

需拉動的鋸切

- 針對需要藉助拉引裝置 (2) 的鋸切作業 (寬工件)，止付螺栓 (1) 若已鎖上，請將它鬆開。
- 依照需求，調整至所需的水平及 / 或垂直斜鋸角。
- 將工件緊壓固定在止動滑軌 (18) 和 (19)。

- 根據尺寸固定好工件。
- 將機臂拉離止動滑軌 (18)，直到鋸片位於工件前方。
- 啟動電動工具。
- 利用把手 (5) 緩慢地將機臂往下拉。
- 現在把機臂推向止動滑軌 (18) 和 (19)，並施力均勻地鋸切工件。
- 關閉電動工具並等待鋸片完全停止轉動。
- 將機臂慢慢往上提起。

無需拉動的鋸切 (砍鋸) (請參考圖 N)

- 進行無需拉動的鋸切 (小型工件) 時，止付螺栓 (1) 若已鎖上，請將其鬆開。將機臂往止動滑軌 (18) 方向推到底，然後再將止付螺栓 (1) 重新鎖緊。
- 依照需求，調整至所需的水平及 / 或垂直斜鋸角。
- 將工件緊壓固定在止動滑軌 (18) 和 (19)。
- 根據尺寸固定好工件。
- 啟動電動工具。
- 利用把手 (5) 緩慢地將機臂往下拉。
- 鋸切工件時必須施力均勻。
- 關閉電動工具並等待鋸片完全停止轉動。
- 將機臂慢慢往上提起。

作業注意事項

標示鋸線 (請參考圖 O)

雷射光束可為您顯示鋸片的鋸線。這樣您可以準確地放置好待鋸切的工件，無需打開活動防護罩。

- 此外，請您利用開關 (36) 啟動雷射光束。
- 將您在工件上所做的記號對準雷射標線中間。

提示：鋸切之前請檢查，鋸線是否仍正確顯示。因為在頻繁使用機器之後，雷射光時可能會因震動而偏移。

容許的工件尺寸

最大工件：

水平斜鋸角	垂直斜鋸角	高度 x 寬度 [mm]
0°	0°	90 x 310
45°	0°	90 x 210
0°	45° (左)	45 x 310
45°	45° (左)	45 x 210
0°	45° (右)	35 x 310
45°	45° (右)	35 x 210

最小工件 (= 可用隨附之夾鉗 (20) 夾在鋸片左側或右側的所有工件)：130 x 50 mm (長 x 寬)

最大鋸切深度 (0°/0°)：90 mm

鋸切等長的工件 (請參考圖 P)

為了方便鋸切等長的工件，您可以使用平行擋塊 (26)。

- 鬆開止付螺栓 (57) 並將導軌 (58) 中的平行擋塊 (26) 推至所需的工件長度。

- 重新鎖緊止付螺栓 (57)。

較長的工件：

- 鬆開蝶翼螺栓 (59) 並將導軌 (58) 向外拉到底。
- 重新鎖緊蝶翼螺栓 (59)。
- 將平行擋塊 (26) 調至所需的工件長度。

不使用平行擋塊切割：

- 鬆開止付螺栓 (57) 並將導軌 (58) 中的平行擋塊 (26) 完全向外推出。
- 將平行擋塊旋轉 90°，使其與止動滑軌 (18) 齊平。
- 重新鎖緊止付螺栓 (57)。

調整限深擋塊 (鋸切凹槽) (請參考圖 Q)

鋸切凹槽時必須調整限深擋塊。

- 將限深擋塊 (22) 往外翻轉。
- 從把手 (5) 處將機臂翻轉至所需位置。
- 扭轉校正螺栓 (23)，讓螺栓末端碰觸到限深擋塊 (22)。
- 將機臂慢慢往上提起。

特殊工件

鋸切彎曲或圓形工件時必須特別小心，千萬要固定好工件，不可以讓工件滑動。在鋸線上，工件、止動滑軌與鋸台三者必須緊靠在一起，之間不可以存在任何空隙。

如有必要，必須製作特殊固定裝置。

汰換嵌補板 (請參考圖 R)

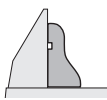
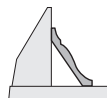


本電動工具經長時間使用後，其嵌補板 (10) 可能會有磨損情形。

嵌補板若有任何破損，請予以更換。

- 把電動工具調整至工作位置。
- 請用市售的十字螺絲起子 (60) 將螺栓旋出，然後取下舊嵌補板 (10)。
- 鋪上新的嵌補板並重新鎖緊螺絲 (60)。

加工側邊條

可以使用以下兩種不同的方式加工側邊條：

工件的放置方式	踢腳板	天花板飾條
- 靠在止動滑軌上		
- 平放在鋸台上		

接下來可以根據側邊條的寬度，選擇需拉動的鋸切方式或無需拉動的鋸切方式。

一律要先在廢木上測試調整好的斜鋸角 (水平和 / 或垂直)。

校正雷射

提示：若要測試雷射功能，電動工具必須連接電源。

► **校正雷射時（例如移動機臂時）千萬不可按壓起停開關。**不小心啟動電動工具可能造成人員受傷。

- 把電動工具調整至工作位置。
- 將鋸台 (29) 轉至 0° 刻槽 (15)。必須可感覺到撥桿 卡入刻槽。

為確保精準鋸切，在頻繁使用之後必須檢查雷射光束，必要時得做適度調整。

檢查時不但要具備足夠的經驗，而且得使用特殊工具。

博世客戶服務中心能夠既快速又可靠地執行這項工作。

檢查（請參考圖 S1）

- 在工件上畫一條筆直鋸線。
- 利用把手 (5) 緩慢地將機臂往下拉。
- 調整工件，讓鋸片上的鋸齒靠在鋸線上。
- 讓工件保持在這個位置並握牢它，再度慢慢向上提起機臂。
- 請確實夾緊工件。

- 請您利用開關 (36) 啟動雷射光束。

即便在放下機臂的時候，雷射也必須與工件上的鋸線全長對齊。

調整（請參考圖 S2）

- 請用合適的螺絲起子轉動調整螺栓 (61)，讓雷射光束與工件上的鋸線全長對齊。

逆時針旋轉時，雷射光束會由左向右移動。順時針旋轉時，雷射光束會由右向左移動。

檢查和調整基本設定

為確保精準鋸切，頻繁使用之後必須檢查電動工具的基本設定，必要時須適度調整。

檢查時不但要具備足夠的經驗，而且得使用特殊工具。

博世客戶服務中心能夠既快速又可靠地執行這項工作。

設定垂直方向的 0° 基本斜鋸角

- 把電動工具調整至工作位置。
- 將鋸台 (29) 轉至 0° 刻槽 (15)。必須可感覺到撥桿 卡入刻槽。
- 將鎖止按鈕 (13) 往上拉。
- 將調整鈕 (21) 略微往左轉，將機臂從右側翻轉至 0° 位置，直到聽到卡入 0° 位置的聲音。
- 將鎖止按鈕 (13) 重新往下按。

檢查（請參考圖 T1）

- 請將與鋸片 (49) 齊平的 90° 三角尺 (62) 放在鋸台 (29) 與鋸台 (29) 上的鋸片之間。

三角尺的柄部必須全長與鋸片 (49) 齊平。

調整（請參考圖 T2）

- 用一般市售環形扳手或開口扳手，鬆開止動螺栓 (63) 的鎖緊螺母。
- 轉入或轉出止動螺栓 (63)，使三角尺 (62) 的柄部全長與鋸片齊平。
- 將鎖止按鈕 (13) 重新往下按。
- 然後將止動螺栓 (63) 的鎖緊螺母重新旋緊。

調整後，若角度指針 (55) 未與刻度尺 (56) 的 0° 記號呈一直線，請用一般市售十字螺絲起子鬆開螺栓 (65)，將角度指針對準 0° 記號，（請參考圖 W）。

調整垂直方向的 45° 基本斜鋸角（右側）

- 把電動工具調整至工作位置。
- 將鋸台 (29) 轉至 0° 刻槽 (15)。必須可感覺到撥桿 卡入刻槽。
- 拆除右側可調式止動滑軌 (19)。
- 旋轉右側擋塊 (41)，直到基本斜鋸角 45° 卡在箭頭標記上。
- 將鎖止按鈕 (13) 往上拉。
- 將調整鈕 (21) 往左轉，從把手 (5) 處將機臂往右翻轉到底。

檢查（請參考圖 U1）

- 請將與鋸片 (49) 齊平的 45° 三角尺 (62) 放在鋸台 (29) 與鋸台上的右側鋸片之間。

三角尺的柄部必須全長與鋸片 (49) 齊平。

調整（請參考圖 U2）

- 用一般市售環形扳手或開口扳手，鬆開止動螺栓 (40) 的鎖緊螺母。
- 轉入或轉出止動螺栓 (40)，使三角尺 (62) 的柄部全長與鋸片齊平。
- 將鎖止按鈕 (13) 重新往下按。
- 然後將止動螺栓 (40) 的鎖緊螺母重新旋緊。

調整後，若角度指示器 (55) 未與刻度尺 (56) 的 45° 記號呈一直線，請先再檢查一次垂直斜鋸角和角度指示器的 0° 設定。然後再重新調整一次垂直 45° 斜鋸角。

校準止動滑軌

- 把電動工具調整至搬運位置。
- 鎖定旋鈕 (12) 若已鎖上，請將它鬆開。
- 往下按鎖止按鈕 (11)，將鋸台 (29) 轉至 0° 刻槽 (15)。
- 再次放開鎖止按鈕 (11)。必須可感覺到鋸台卡入刻槽。
- 拆除可調式止動滑軌 (19)。

檢查（請參考圖 V1）

- 請將與鋸片 (49) 齊平的 90° 三角尺 (62) 放在止動滑軌 (18) 與鋸台 (29) 上的鋸片之間。

三角尺的柄部必須全長與止動滑軌齊平。

調整（請參考圖 V2）

- 用隨附的內六角扳手 (24) 鬆開所有內六角螺栓 (64)。
- 轉動止動滑軌 (18)，使三角尺全長齊平。
- 再度旋緊螺栓。

校正角度指示器（垂直）（請參考圖 W）

- 將鎖止按鈕 (13) 往上拉。
- 將調整鈕 (21) 略微往左轉，將機臂從右側翻轉至 0° 位置，直到聽到卡入 0° 位置的聲音。
- 將鎖止按鈕 (13) 重新往下按。

檢查

角度指示器 (55) 必須與刻度尺 (56) 的 0° 記號呈一直線。

調整

- 請用十字螺栓起子鬆開螺栓 (65)，然後將角度指示器對準 0° 記號。
- 將螺栓重新旋緊。

校正角度指示器 (水平) (請參考圖 X)

- 把電動工具調整至工作位置。
- 將鋸台 (29) 轉至 0° 刻槽 (15)。必須可感覺到撥桿 卡入刻槽。

檢查

角度指示器 (14) 必須與刻度尺 (30) 的 0° 記號呈一直線。

調整

- 請用十字螺栓起子鬆開螺栓 (66)，然後將角度指示器對準 0° 記號。
- 將螺栓重新旋緊。

搬運電動工具 (請參考圖 Y)

搬運電動工具之前必須先執行以下步驟：

- 止付螺栓 (1) 若已鎖上，請將它鬆開。向前完全拉出機臂並重新旋緊止付螺栓。
- 請確認：限深擋塊 (22) 是否已推到最裡面且移動機臂時調整螺絲 (23) 不會穿過開口碰觸到限深擋塊。
- 把電動工具調整至搬運位置。
- 拆除所有無法被固定在電動工具上的配件。搬運時必須儘可能把不使用的鋸片放置在密閉盒子中。
- 從搬運把手 (4) 處提起電動工具或者請您抓握鋸台側邊的把手凹槽 (27)。
- ▶ 搬動電動工具時只能使用搬運裝置，切勿使用防護裝置或工件托架進行搬運。

維修和服務**保養與清潔**

- ▶ 維修電動工具或換裝零、配件之前，務必從插座上拔出插頭。
- ▶ 電動工具和通風口都必須保持清潔，這樣才能夠提高工作品質和安全性。

如果必須更換連接線，請務必交由 **Bosch** 或者經授權的 **Bosch** 電動工具顧客服務執行，以避免危害機器的安全性能。

活動防護罩必須能夠自由來回擺動，並且要能夠自動關閉，所以防護罩的四周必須隨時保持清潔。

每次工作結束後都要使用壓縮空氣或軟刷清除機器上的灰塵和鋸屑。

定期清潔滑輪 (32)。

降低噪音的措施

製造商提供的方法：

- 緩速起動
- 提供特別為了降低噪音而研發的鋸片

操作者自己能做的措施：

- 將機器安裝在穩固的工作面上，可以降低震動
- 使用具備降低噪音功效的鋸片

- 定期清潔鋸片和電動工具

顧客服務處和顧客諮詢中心

本公司顧客服務處負責回答有關本公司產品的維修、維護和備用零件的問題。以下的網頁中有分解圖和備用零件相關資料：www.bosch-pt.com 如果對本公司產品及其配件有任何疑問，博世應用諮詢小組很樂意為您提供協助。當您需要諮詢或訂購備用零件時，請務必提供本產品型號銘牌上 10 位數的產品機號。

台灣進口商

台灣羅伯特博世股份有限公司

建國北路一段90 號6 樓

台北市10491

電話: (02) 7734 2588

傳真: (02) 2516 1176

www.bosch-pt.com.tw

製造商地址：

Robert Bosch Power Tools GmbH

羅伯特·博世電動工具有限公司

70538 Stuttgart / GERMANY

70538 斯圖加特/ 德國

以下更多客戶服務處地址：

www.bosch-pt.com/serviceaddresses

廢棄物處理

必須以符合環保的方式，回收再利用損壞的機器、配件和廢棄的包裝材料。

不可以把電動工具丟入家庭垃圾中。

**ไทย****คำเตือนเพื่อความปลอดภัย****คำเตือนเพื่อความปลอดภัยทั่วไปในการใช้เครื่องมือไฟฟ้า**

⚠ คำเตือน อ่านคำเตือนเพื่อความปลอดภัย คำแนะนำ ภาพประกอบ และข้อมูล

จำเพาะทั้งหมดที่จัดส่งมาพร้อมกับเครื่องมือไฟฟ้า

การไม่ปฏิบัติตามคำแนะนำทั้งหมดที่ระบุไว้ด้านล่างนี้อาจทำให้เกิดไฟฟ้าช็อต เกิดไฟไหม้ และ/หรือได้รับบาดเจ็บอย่างร้ายแรง

เก็บรักษาคำเตือนและคำสั่งทั้งหมดสำหรับเปิดอ่านในภายหลัง

คำว่า "เครื่องมือไฟฟ้า" ในคำเตือนหมายถึง เครื่องมือไฟฟ้า

ของท่านที่ทำงานด้วยพลังงานไฟฟ้าจากแหล่งจ่ายไฟหลัก (มี

สายไฟฟ้า) และเครื่องมือไฟฟ้าที่ทำงานด้วยพลังงานไฟฟ้าจากแบตเตอรี่ (ไร้สาย)

ความปลอดภัยในสถานที่ทำงาน

- ▶ รักษาสถานที่ทำงานให้สะอาดและมีไฟส่องสว่างดี สถานที่ที่มีมืดหรือกรุงรังนำมาซึ่งอุบัติเหตุ
- ▶ อย่าใช้เครื่องมือไฟฟ้าทำงานในสภาพบรรยากาศที่จุดติดไฟได้ เช่น ในที่มีฆ้องเพลิงวไฟฟ ฝ้า ฝ้า หรือฝุ่น เมื่อใช้เครื่องมือไฟฟ้าจะเกิดประกายไฟซึ่งอาจจุดฝุ่นหรือไอให้ลุกเป็นไฟได้
- ▶ ขณะใช้เครื่องมือไฟฟ้าทำงาน ต้องกั้นเด็กและผู้ยืนดูให้ออกห่าง การหันเหความสนใจอาจทำให้ท่านขาดการควบคุมเครื่อง

ความปลอดภัยเกี่ยวกับไฟฟ้า

- ▶ ปลั๊กของเครื่องมือไฟฟ้าต้องเหมาะสมพอดีกับเต้าเสียบ อย่าคิดแปลงปลั๊กไม่ว่าในลักษณะใดๆ อย่าใช้ปลั๊กพ่วงต่อใดๆ กับเครื่องมือไฟฟ้าที่มีสายดิน ปลั๊กที่ไม่ตัดแปลงและเต้าเสียบที่เข้ากันช่วยลดความเสี่ยงจากการถูกไฟฟ้าดูด
- ▶ หลีกเลี่ยงอย่าให้ร่างกายสัมผัสกับพื้นผิวที่ต่อสายดินหรือลงกราวด์ไว้ เช่น ท่อ เครื่องทำความร้อน เตา และตู้เย็น จะเสี่ยงอันตรายจากการถูกไฟฟ้าดูดมากขึ้นหากกระแสไฟฟ้าวิ่งผ่านร่างกายของท่านลงดิน
- ▶ อย่าให้เครื่องมือไฟฟ้าถูกฝนหรืออยู่ในสภาพเปียกชื้น หากนำเข้าไปในเครื่องมือไฟฟ้า จะเพิ่มความเสี่ยงจากการถูกไฟฟ้าดูด
- ▶ อย่าใช้สายไฟฟ้าในทางที่ผิด อย่าใช้สายไฟฟ้าเพื่อยก ดึง หรือถอดปลั๊กเครื่องมือไฟฟ้า กับสายไฟฟ้าออกจากความรอน น้่ามัน ขอบเขตลมคม หรือชิ้นส่วนที่เคลื่อนที่ สายไฟฟ้าที่ชำรุดหรือพันกันยุ่งเพิ่มความเสี่ยงจากการถูกไฟฟ้าดูด
- ▶ เมื่อใช้เครื่องมือไฟฟ้าทำงานกลางแจ้ง ให้ใช้สายไฟต่อที่เหมาะสมสำหรับการใช้งานกลางแจ้ง การใช้สายไฟต่อที่เหมาะสมสำหรับงานกลางแจ้งจะช่วยลดอันตรายจากการถูกไฟฟ้าดูด
- ▶ หากไม่สามารถหลีกเลี่ยงการใช้เครื่องมือไฟฟ้าทำงานในสถานที่เปียกชื้นได้ ให้ใช้สวิตช์ตัดวงจรเมื่อเกิดการรั่วไหลของไฟฟ้าจากสายดิน (RCD) การใช้สวิตช์ตัดวงจรเมื่อเกิดการรั่วไหลของไฟฟ้าจากสายดินช่วยลดความเสี่ยงต่อการถูกไฟฟ้าดูด

ความปลอดภัยของบุคคล

- ▶ ท่านต้องอยู่ในสภาพเตรียมพร้อม ระมัดระวังในสิ่งที่ท่านกำลังทำอยู่ และมีสติขณะใช้เครื่องมือไฟฟ้าทำงาน อย่าใช้เครื่องมือไฟฟ้าขณะที่ท่านกำลังเหนื่อย หรืออยู่ภายใต้การครอบงำของฤทธิ์ของยาเสพติด แอลกอฮอล์ และยา เมื่อใช้เครื่องมือไฟฟ้าทำงาน ในช่วงเวลาที่ท่านขาดความเอาใจใส่อาจทำให้บุคคลบาดเจ็บอย่างรุนแรงได้
- ▶ ใช้อุปกรณ์ปกป้องร่างกาย สวมแว่นตาป้องกันเสมอ อุปกรณ์ปกป้อง เช่น หมวกกันน็อก รองเท้ากันลื่น หมวก

แข็ง หรือประกบกันเสี่ยงดัดที่ใช้ตามความเหมาะสมกับสภาพการทำงาน จะลดการบาดเจ็บทางร่างกาย

- ▶ ป้องกันการติดเครื่องโดยไม่ตั้งใจ ตรวจสอบให้แน่ใจว่าสวิตช์อยู่ในตำแหน่งปิดก่อนเชื่อมต่อเข้ากับแหล่งจ่ายไฟ และ/หรือแบตเตอรี่แพ็ค ยกหรือถือเครื่องมือ การถือเครื่องโดยใช้นิ้วหัวที่สวิตช์ หรือเสียบปลั๊กไฟฟ้าขณะสวิตช์เปิดอยู่ อาจนำไปสู่อุบัติเหตุที่ร้ายแรงได้
- ▶ นำเครื่องมือปรับแต่งหรือประแจปากตายออกก่อนเปิดสวิตช์เครื่องมือไฟฟ้า เครื่องมือหรือประแจปากตายที่วางอยู่กับส่วนของเครื่องที่กำลังหมุนจะทำให้บุคคลบาดเจ็บได้
- ▶ อย่าเอื้อมไกลเกินไป ตั้งท้ายขึ้นที่มั่นคงและวางน้ำหนักให้สมดุลตลอดเวลา ในลักษณะนี้ท่านสามารถควบคุมเครื่องมือไฟฟ้าในสถานการณ์ที่ไม่คาดคิดได้ดีกว่า
- ▶ แต่งกายอย่างเหมาะสม อย่าใส่เสื้อผ้าหลวมหรือสวมเครื่องประดับ เข็มและเสื้อผ้าออกจากชิ้นส่วนที่เคลื่อนที่ เสื้อผ้าหลวม เครื่องประดับ และผมยาวอาจเข้าไปติดในชิ้นส่วนที่เคลื่อนที่
- ▶ หากเครื่องมือไฟฟ้ามีข้อเชื่อมต่อกับเครื่องดูดฝุ่นหรือเครื่องเก็บผง ให้ตรวจสอบให้แน่ใจว่าได้เชื่อมต่อและใช้งานอย่างถูกต้อง การใช้อุปกรณ์ดูดฝุ่นช่วยลดอันตรายที่เกิดจากฝุ่นได้
- ▶ เมื่อใช้งานเครื่องมือบ่อยครั้งจะเกิดความคุ้นเคย อย่าให้ความคุ้นเคยทำให้ท่านเกิดความชะล่าใจและละเลยกฎเกณฑ์ด้านความปลอดภัยในการใช้งานเครื่อง การทำงานอย่างไม่ระมัดระวังอาจทำให้เกิดการบาดเจ็บอย่างร้ายแรงภายในเสี้ยววินาที

การใช้และการดูแลรักษาเครื่องมือไฟฟ้า

- ▶ อย่างพินกำลังเครื่องมือไฟฟ้า ใช้เครื่องมือไฟฟ้าที่ถูกต้องตรงตามลักษณะงานของท่าน เครื่องมือไฟฟ้าที่ถูกต้องจะทำงานได้ดีกว่าและปลอดภัยกว่าในระดับสมรรถภาพที่ออกแบบไว้
- ▶ อย่าใช้เครื่องมือไฟฟ้าถ้าสวิตช์ไม่สามารถเปิดปิดได้ เครื่องมือไฟฟ้าที่ไม่สามารถควบคุมการเปิดปิดด้วยสวิตช์ได้ เป็นเครื่องมือไฟฟ้าที่ไม่ปลอดภัยและต้องส่งซ่อมแซม
- ▶ ก่อนปรับแต่งเครื่อง เปลี่ยนอุปกรณ์ประกอบ หรือเก็บเครื่องเข้าที่ ต้องถอดปลั๊กออกจากแหล่งจ่ายไฟ และ/หรือถอดแบตเตอรี่แพ็คออกจากเครื่องมือไฟฟ้าหากถอดออกได้ มาตรการป้องกันเพื่อความปลอดภัยนี้ช่วยลดความเสี่ยงจากการติดเครื่องโดยไม่ตั้งใจ
- ▶ เมื่อเลิกใช้งานเครื่องมือไฟฟ้า ให้เก็บเครื่องมือไว้ในที่ที่เด็กหยิบไม่ถึง และไม่อนุญาตให้บุคคลที่ไม่คุ้นเคยกับเครื่องมือไฟฟ้าที่ไม่ได้อ่านคำแนะนำนำเหล่านี้ใช้เครื่องมือไฟฟ้าเป็นของอันตรายนหากตกอยู่ในมือของผู้ใช้ที่ไม่ได้รับการฝึกฝน
- ▶ ปรากฏรักษาเครื่องมือไฟฟ้าและอุปกรณ์ประกอบ ตรวจสอบชิ้นส่วนที่เคลื่อนที่ว่ามีวาวไม่ตรงแนวหรือติดขัดหรือไม่ ตรวจหาการแตกหักของชิ้นส่วนและสภาพอื่นใดที่อาจมีผลต่อการทำงานของเครื่องมือไฟฟ้า หากชำรุดต้องส่งเครื่องมือไฟฟ้าไปซ่อมแซมก่อนใช้งาน อุบัติเหตุหลายอย่างเกิดขึ้นเนื่องจากดูแลรักษาเครื่องมือไม่ดีพอ

- ▶ **รักษาเครื่องมือตัดให้คมและสะอาด** หากบำรุงรักษาเครื่องมือที่มีขอบตัดแหลมคมอย่างถูกต้องจะสามารถตัดได้ลื่นไม่ติดขัดและควบคุมได้ง่ายกว่า
- ▶ **ใช้เครื่องมือไฟฟ้า อุปกรณ์ประกอบ เครื่องมือ และอุปกรณ์อื่นๆ** ตรงตามคำแนะนำเหล่านี้ โดยคำนึงถึงเงื่อนไขการทำงานและงานที่จะทำ การใช้เครื่องมือไฟฟ้าทำงานที่ต่างไปจากวัตถุประสงค์การใช้งานของเครื่อง อาจนำไปสู่สถานการณ์ที่เป็นอันตรายได้
- ▶ **ดูแลตามจับและพื้นผิวจับที่แห้ง สะอาด และปราศจากคราบไขมันและจาระบี** ตามจับและพื้นผิวจับที่ลื่นทำให้หยิบจับได้ไม่ปลอดภัย และไม่สามารถควบคุมเครื่องมือในสถานการณ์ที่ไม่คาดคิด

การบริการ

- ▶ **ส่งเครื่องมือไฟฟ้าของท่านเข้ารับบริการจากช่างซ่อมที่มีคุณสมบัติเหมาะสม โดยใส่อะไหล่ที่เหมือนกันเท่านั้น** ในลักษณะนี้ท่านจะแน่ใจได้ว่าเครื่องมือไฟฟ้าอยู่ในสภาพที่ปลอดภัย

คำเตือนเพื่อความปลอดภัยสำหรับเลื่อยตัดวงศา

- ▶ **เลื่อยตัดวงศาใช้สำหรับตัดไม้หรือผลิตภัณฑ์คล้ายไม้** เครื่องนี้ไม่สามารถใช้กับวัสดุที่ตัดออกสำหรับตัดวัสดุประเภทเหล็ก เช่น แท่งเหล็ก กานเหล็ก สลักเกลียว และอื่นๆ ผู้ที่มีารชดดูทำให้ชิ้นส่วนที่เคลื่อนไหวได้ เช่น กระจับป้องกันกลาง เกิดติดขัดประกายไฟจากการตัดที่มีารชดดูจะเผาไหม้ประกายป้องกันกลาง เฟลตแทรก และชิ้นส่วนพลาสติกอื่นๆ
- ▶ **หากเป็นไปได้ให้ใช้แคลมป์หนีบชิ้นงานไว้** ในกรณีที่ไม่มีหนีบชิ้นงาน ท่านต้องเอามือของท่านออกจากใบเลื่อยตามใดตามหนึ่งอย่างน้อย 100 มม. อย่าใช้เครื่องมือเลื่อยนี้ตัดชิ้นงานที่มีขนาดเล็กเกินไปที่ไม่สามารถหนีบด้วยแคลมป์หรือจับด้วยมือได้อย่างแน่นอน หากมือของท่านอยู่ใกล้ใบเลื่อยก็ไป จะเพิ่มความเสี่ยงต่อการได้รับบาดเจ็บจากการสัมผัสใบเลื่อย
- ▶ **ชิ้นงานต้องอยู่กับที่ และถูกยึดหนีบหรือจับกับแผ่นกันและโต๊ะ** อย่าบอบชิ้นงานเข้าไปใบเลื่อยหรือตัดด้วย “มือเปล่า” อย่างเด็ดขาด ชิ้นงานที่หลุดหลวมหรือเคลื่อนไหวได้จะถูกเหวี่ยงออกมาด้วยความเร็วสูงและทำให้ได้รับบาดเจ็บได้
- ▶ **ดันเครื่องเลื่อยผ่านชิ้นงาน** อย่าดึงเครื่องเลื่อยผ่านชิ้นงานสำหรับการตัด ไทยกหัวเครื่องเลื่อยขึ้น และดึงให้อยู่เหนือชิ้นงานโดยไม่ทำการตัด จากนั้นจึงเปิดสวิตช์มอเตอร์กดหัวเครื่องเลื่อยลง และดันเครื่องเลื่อยผ่านชิ้นงาน การตัดในจังหวะดังมีแนวโน้มที่จะทำให้ใบเลื่อยบินขึ้นไปตามบของชิ้นงาน และเหวี่ยงชุดใบเลื่อยเข้าหาผู้ใช้งานเครื่องอย่างรุนแรง
- ▶ **อย่าไขว่มือของท่านเหนือเส้นที่ต้องการตัด ทั้งตรงด้านหน้าและด้านหลังของใบเลื่อย** การจับชิ้นงานด้วย “การไขว่มือ” คือ จับชิ้นงานที่อยู่ด้านขวาของใบเลื่อยด้วยมือซ้าย หรือในทางกลับกัน เป็นการกระทำที่อันตรายอย่างยิ่ง
- ▶ **ขณะใบเลื่อยกำลังหมุน** อย่าเอามือข้างใดข้างหนึ่งเอื้อมไปตามหลังแผ่นกันภายในระยะ 100 มม. จากตามใดตามหนึ่งของใบเลื่อยเพื่อหยิบเศษไม้ออกหรือเพื่อเหตุผลอื่นใดก็ตาม ท่านอาจลื่นล้มหรือบาดเจ็บประชิดของใบเลื่อยที่กำลัง

หมุนกับมือของท่านได้ไม่ชัดเจน และท่านอาจได้รับบาดเจ็บสาหัสได้

- ▶ **ตรวจสอบชิ้นงานของท่านก่อนทำการตัด** หากชิ้นงานบิดหรือโค้งงอ ให้ยึดชิ้นงานโดยจับส่วนที่โค้งออกด้านนอกหันเข้าหาแผ่นกัน ตรวจสอบให้แน่ใจเสมอว่าตามแนวเส้นตัดไม่มีช่องว่างระหว่างชิ้นงาน แผ่นกัน และโต๊ะ ชิ้นงานที่แอ่นหรือโค้งอาจบิดหรือเคลื่อนที่ได้ และอาจส่งผลให้ติดขัดอยู่ในใบเลื่อยที่กำลังหมุนในขณะตัด ต้องไม่มีตะปูหรือวัตถุแปลกปลอมในชิ้นงาน
- ▶ **อย่าใช้เครื่องมือเลื่อยจนกว่าจะนำเครื่องมือทั้งหมด เศษไม้ และชิ้นๆ ออกจากโต๊ะแล้ว** เหลือไว้แค่เฉพาะชิ้นงานเท่านั้น ชิ้นเศษขนาดเล็กหรือชิ้นไม้ที่หลุดหลวมหรือวัตถุอื่นใดที่ไปสัมผัสกับใบเลื่อยทั้งหมดอยู่ อาจติดตัวออกมาด้วยความเร็วสูง
- ▶ **ตัดเพียงหนึ่งชิ้นงานในแต่ละครั้ง** ชิ้นงานที่ซ้อนกันหลายๆ ชิ้นจะไม่สามารถยึดหรือค้ำยันได้อย่างแน่นอน และอาจติดขัดบนใบเลื่อยหรือเคลื่อนที่ขณะตัด
- ▶ **ก่อนใช้งาน ต้องตรวจสอบให้แน่ใจว่าได้ติดตั้งหรือวางเลื่อยตัดวงศาไว้บนพื้นผิวที่ราบเรียบและราบเสมอกัน** พื้นผิวทำงานที่มั่นคงและราบเสมอกันช่วยลดความเสี่ยงจากการสั่นคลอนของเลื่อยตัดวงศา
- ▶ **วางแผนการทำงานของงาน** ทุกครั้งที่ท่านเปลี่ยนการตั้งมุมเอียงหรือมุมยก ต้องตรวจสอบให้แน่ใจว่าได้ปรับตั้งแผ่นกันแบบปรับได้เพื่อหนีบชิ้นงานอย่างถูกต้องแล้ว และจะไม่กีดขวางใบเลื่อยหรือระบบป้องกัน เมื่อไม่เปิดสวิตซ์เครื่อง “ON” และไม่มีชิ้นงานวางบนโต๊ะ ให้จำลองการตัดโดยเคลื่อนใบเลื่อยไปจนสุด ทั้งนี้เพื่อให้มั่นใจว่าจะไม่มีสิ่งกีดขวางหรืออันตรายจากการตัดถูกแผ่นกัน
- ▶ **สำหรับชิ้นงานที่มีขนาดกว้างกว่าหรือยาวกว่าพื้นผิวด้านบนของโต๊ะ** ต้องจัดให้มีการหนุนค้ำอย่างเพียงพอ เช่น โดยใช้ส่วนขยายโต๊ะ มารองเลื่อย และอื่นๆ ชิ้นงานที่มีขนาดกว้างกว่าหรือยาวกว่าโต๊ะเลื่อยตัดวงศาอาจพลิกคว่ำหากไม่ได้รับการหนุนค้ำอย่างมั่นคง หากชิ้นส่วนที่ตัดออกหรือชิ้นงานพลิกคว่ำ ชิ้นงานอาจยกกระบังป้องกันกลางขึ้นหรือถูกใบเลื่อยที่กำลังหมุนเหวี่ยงออก
- ▶ **อย่าใช้บุคคลอื่นทำหน้าที่แทนส่วนขยายโต๊ะหรือเบ็ดตัวค้ำเพิ่มเติม** การหนุนชิ้นงานอย่างไม่มั่นคงอาจทำให้ใบเลื่อยติดขัด หรือใบเลื่อยเคลื่อนที่ขณะตัด ซึ่งจะฉุดรั้งตัวท่านและผู้ช่วยเขาไปในใบเลื่อยที่กำลังหมุนได้
- ▶ **ชิ้นส่วนที่ตัดออกจะต้องไม่เข้าไปติดขัดหรือถูกกดอัดกับใบเลื่อยที่กำลังหมุนอย่างเด็ดขาด** หากมีพื้นที่จำกัด ด.ย. เช่น เมื่อใช้กานหยุดความยาว ชิ้นส่วนที่ตัดออกอาจถูกบีบอัดกับใบเลื่อยและถูกเหวี่ยงออกมาอย่างรวดเร็ว
- ▶ **ใช้แคลมป์หรืออุปกรณ์ที่ออกแบบมาเพื่อยึดจับวัสดุทรงกลม เช่น กาน หรือท่อ โทแบบหนาเสมอ** กานกลมมีแนวโน้มที่จะกลิ้งออกไปในขณะถูกตัด ทำให้ใบเลื่อย “ติดแน่น” และดึงชิ้นงานและมือของท่านเข้าไปในใบเลื่อยได้
- ▶ **ปล่อยให้ใบเลื่อยวิ่งถึงความเร็วสูงสุดก่อนและลงบนชิ้นงาน** ในลักษณะนี้จะลดความเสี่ยงจากการที่ชิ้นงานจะถูกเหวี่ยงออกไป
- ▶ **หากชิ้นงานหรือใบเลื่อยเกิดติดขัด ให้ปิดสวิตซ์เลื่อยตัดวงศา รอให้ชิ้นส่วนที่เคลื่อนไหวทั้งหมดหยุดนิ่งอยู่กับที่และถอดปลั๊กไฟออกจากแหล่งจ่ายไฟ และ/หรือถอดแบตเตอรี่แพ็คเกจ** จากนั้นจึงเอาวัสดุที่ติดขัดออกมา การเลื่อยชิ้น

งานที่ติดขัดต่อไป อาจทำให้สูญเสียการควบคุม หรือเสียยัดต้องศาอาจเสียหายได้

- ▶ **เมื่อตัดเสร็จแล้ว ให้ปล่อยนิ้วจากสวิตช์ จับหัวเครื่องเลื่อยลง และรอให้ใบเลื่อยหยุดนิ่งอยู่กับที่ก่อนเอาชิ้นงานที่ถูกตัดออกมา** การเอื้อมมือของท่านเข้าใกล้ใบเลื่อยที่วิ่งด้วยแรงเฉื่อยเป็นการกระทำที่อันตราย
- ▶ **จับตามองอย่างแน่นหนาเมื่อทำการตัดที่ไม่สมบูรณ์ หรือเมื่อปล่อยนิ้วจากสวิตช์ก่อนที่หัวเครื่องเลื่อยจะอยู่ในตำแหน่งลงอย่างสมบูรณ์** การเบรคเครื่องเลื่อยอาจทำให้หัวเครื่องเลื่อยถูกดึงลงด้านล่างอย่างกะทันหัน ทำให้เสี่ยงต่อการได้รับบาดเจ็บ
- ▶ **อย่าปล่อยค้ำจับเมื่อหัวเลื่อยถึงตำแหน่งต่ำสุด ป่าหัวเลื่อยกลับไปที่ตำแหน่งบนสุดด้วยมือเสมอ** อาจเกิดความเสี่ยงต่อการบาดเจ็บหากหัวเลื่อยเคลื่อนที่โดยไร้การควบคุม
- ▶ **รักษาสถานที่ทำงานให้สะอาด** การผสมผลสายของวัสดุเป็นอันตรายอย่างยิ่งฝุ่นละอองโลหะอาจเผาไหม้หรือระเบิดได้
- ▶ **อย่าใช้ใบเลื่อยที่ทุบ แตกร้าว คุดงหรือชำรุด** ใบเลื่อยที่ทุบหรือปรับตั้งไว้มากเกินไปจะระคายเคืองหรือตัดแคว ทำให้มีการเสียดสีมากเกินไป ใบเลื่อยติดขัด และเกิดการตีกลับ
- ▶ **อย่าใช้ใบเลื่อยที่ทำจากเหล็กกล้าความเร็วสูง (High Speed Steel, HSS) ใบเลื่อยนี้แตกง่าย**
- ▶ **ใช้ใบเลื่อยที่มีขนาดและรูปทรงรูยี่ที่ถูกต้องเสมอ (สี่เหลี่ยมขนมเปียกปูนหรือกลม)** ใบเลื่อยที่ไม่เข้าชุดกับอุปกรณ์ติดตั้งของเครื่องเลื่อยจะวิ่งไม่อยู่กึ่งกลางและทำให้สูญเสียการควบคุม
- ▶ **อย่านำเศษตกค้างจากการตัด เศษโลหะ และอื่นๆ ออกจากบริเวณตัดขณะเครื่องกำลังวิ่งอยู่** ต้องนำแขนเครื่องมือกลับไปที่ตำแหน่งกลางก่อนเสมอ และจากนั้นจึงปิดสวิตช์เครื่อง
- ▶ **เมื่อสิ้นสุดการทำงาน อย่าสัมผัสใบเลื่อยก่อนที่ใบเลื่อยจะเย็นลง** ใบเลื่อยจะร้อนขึ้นมากขณะทำงาน
- ▶ **เครื่องมือไฟฟ้านี้จัดส่งมาพร้อมป้ายเตือนแสงเลเซอร์ (ดูตาราง "สัญลักษณ์และความหมายของสัญลักษณ์")**
- ▶ **หากขอความของป้ายเตือนแสงเลเซอร์ไม่ได้เป็นภาษาของท่าน** ให้ติดสติ๊กเกอร์ที่จัดส่งมาที่พิมพ์เป็นภาษาของท่านทับลงบนขอความก่อนใช้งานครั้งแรก
- ▶ **อย่าทำให้ป้ายเตือนบนเครื่องมือไฟฟ้าลบบเลือนอย่างเด็ดขาด**



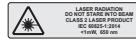
อย่าส่องแสงเลเซอร์ไปยังคนหรือสัตว์ และตัวท่านเองอย่างจงมองเขาในลำแสงเลเซอร์โดยตรงหรือลำแสงเลเซอร์สะท้อน การกระทำดังกล่าวอาจทำให้คนตาพร่า ทำให้เกิดอุบัติเหตุหรือทำให้ดวงตาเสียหายได้

- ▶ **ถ้าแสงเลเซอร์เข้าตา ต้องปิดตาและหันศีรษะออกจากลำแสงในทันที**
- ▶ **อย่าทำการเปลี่ยนแปลงใดๆ ที่อุปกรณ์เลเซอร์** ท่านสามารถใช้การตั้งค่าต่างๆ ที่อธิบายไว้ในคู่มือการใช้งานฉบับนี้ได้อย่างปลอดภัย
- ▶ **อย่าปล่อยให้เด็กฯ ใช้เครื่องมือไฟฟ้าโดยไม่ควบคุมดูแล** เด็กฯ อาจทำให้บุคคลอื่นหรือตนเองตาพร่าโดยไม่ตั้งใจ

สัญลักษณ์

สัญลักษณ์ต่อไปนี้มีความสำคัญต่อการใช้เครื่องมือไฟฟ้าของท่าน กรุณาจดจำสัญลักษณ์และความหมาย การแปลความสัญลักษณ์ใดถูกต้องจะช่วยให้ท่านใช้เครื่องมือไฟฟ้าได้ดีและปลอดภัยกว่า

สัญลักษณ์และความหมายของสัญลักษณ์



**ลำแสงเลเซอร์
อย่ามองเข้าไปในลำแสง
เลเซอร์ระดับ 2**



**เอามือออกห่างจากบริเวณตัด
ขณะเครื่องกำลังวิ่ง** อันตรายจากการบาดเจ็บเมื่อปัดสัมผัสกับใบเลื่อย



สวมหมวกปกป้องกันฝุ่น



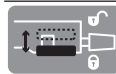
สวมแว่นตาป้องกันอันตราย



สวมอุปกรณ์ป้องกันเสียง การรับฟังเสียงดังอาจทำให้สูญเสียการได้ยิน



**บริเวณอันตราย! เามือ นิ้ว หรือแขนออก
จากบริเวณนี้**



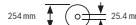
แขนเครื่องมือต้องสามารถขยับได้อย่างอิสระเพื่อปรับมุมขอตอในแนวตั้งได้ตามต้องการ

ปุ่มล็อคถูกดึงขึ้นด้านบน:
สามารถปรับมุมขอตอในแนวตั้งได้

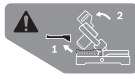
ปุ่มล็อคถูกดันลงด้านล่าง:
มุมขอตอในแนวตั้งที่ปรับจะถูกยึดไว้

สังเกตขนาดของใบเลื่อย
เส้นผ่าศูนย์กลางรูตองเข้ากับแกนเครื่องมือโดยไม่มีช่องหลวม หากจำเป็นต้องใช้ตัวลดขนาด ให้ตรวจสอบให้แน่ใจว่าขนาดของตัวลดนั้นตรงกับขนาดหนาใบ และเส้นผ่าศูนย์กลางรูของใบเลื่อย รวมทั้งเส้นผ่าศูนย์กลางของแกนเครื่องมือ หากเป็นไปได้ให้ใช้ตัวลดขนาดที่จัดส่งมาพร้อมกับใบเลื่อย

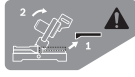
เส้นผ่าศูนย์กลางใบเลื่อยต้องสอดคล้องกับข้อมูลบนสัญลักษณ์



สัญลักษณ์และความหมายของสัญลักษณ์



ขณะเสียบมุมข้อต่อในแนวตั้ง จำเป็นต้องถอดรางกันแบบปรับได้ด้านซ้ายหรือด้านขวา



รายละเอียดผลิตภัณฑ์และข้อมูลจำเพาะ



อ่านค่าเตือนเพื่อความปลอดภัยและคำแนะนำทั้งหมด การไม่ปฏิบัติตามคำแนะนำและคำสั่ง อาจเป็นสาเหตุให้ถูกไฟฟ้าดูด เกิดไฟไหม้ และ/หรือได้รับบาดเจ็บอย่างร้ายแรง

กรุณาดูภาพประกอบในส่วนหน้าของคู่มือการใช้งาน

ประโยชน์การใช้งานของเครื่อง

เครื่องมือไฟฟ้านี้เป็นเครื่องประจำที่ ใช้สำหรับตัดไม้เป็นแนวตรงทั้งตามยาวและตามขวาง สามารถตัดมุมเอียงในแนวนอนจาก -47° ถึง $+52^\circ$ และมุมเอียงในแนวตั้งจาก 45° (ด้านซ้าย) ถึง 45° (และด้านขวา)

เครื่องนี้ออกแบบให้มีสมรรถภาพสำหรับเลื่อยไม้เนื้ออ่อนและเนื้อแข็ง และพารติเคิลบอร์ดและไฟเบอร์บอร์ดเมื่อใช้ใบเลื่อยที่เหมาะสม

ยังสามารถเลื่อยไปโรลอะลูมิเนียมและวัสดุสังเคราะห์ได้อีกด้วย

ส่วนประกอบที่แสดงในภาพ

ลำดับเลขของส่วนประกอบผลิตภัณฑ์อ้างอิงถึงส่วนประกอบของเครื่องมือไฟฟ้าที่แสดงในหน้าภาพประกอบ

- (1) สกรูล็อคสำหรับอุปกรณ์สไลด์
- (2) อุปกรณ์สไลด์
- (3) ป้ายเตือนแสงเลเซอร์
- (4) มือจับขนย้าย
- (5) มือจับ
- (6) ตัวล็อคป้องกันการเปิดใช้งานสำหรับสวิตช์เปิด/ปิด
- (7) บังใบป้องกัน
- (8) บังใบป้องกันใบเลื่อยชนิดโยกได้
- (9) รูสำหรับติดตั้ง
- (10) แผ่นสอด
- (11) ปุ่มล็อคสำหรับมุมข้อต่อ (แนวนอน)
- (12) ลูกบิดล็อคสำหรับมุมข้อต่อใดๆ (แนวนอน)
- (13) ปุ่มล็อคสำหรับมุมข้อต่อ (แนวตั้ง)
- (14) เข็มชี้มุมสำหรับมุมข้อต่อ (แนวนอน)
- (15) ร่องสำหรับมุมข้อต่อมาตรฐาน (แนวนอน)
- (16) ส่วนต่อขยายโต๊ะเลื่อย
- (17) ส่วนรองรับชิ้นงาน^{a)}
- (18) รางกันแบบติดตั้งถาวร

- (19) รางกันแบบปรับได้
- (20) แคลมป์ยึดวัสดุ
- (21) สวิตช์ปรับตั้งสำหรับมุมข้อต่อ 0° (แนวตั้ง)
- (22) ก้านวัดความลึก
- (23) สกรูปรับก้านวัดความลึก
- (24) ประแจหกเหลี่ยม
- (25) ตัวล็อคนิรภัยสำหรับขนย้าย
- (26) ก้านวัดความยาว
- (27) ช่องมือจับ
- (28) รูที่สามารถใช้ยึดในแนวนอน
- (29) โต๊ะเลื่อย
- (30) สเกลสำหรับมุมข้อต่อ (แนวนอน)
- (31) ขาหนุนกันเอียง
- (32) ลูกกลิ้ง
- (33) ตัวล็อคแกน
- (34) ช่องทางออกของลำแสงเลเซอร์
- (35) สวิตช์เปิด/ปิด
- (36) สวิตช์เปิด/ปิดสำหรับเลเซอร์ (ทำเครื่องหมายเส้นตัด)
- (37) ช่องพ่นซีเลื่อย
- (38) สกรูทางปลาสำหรับยึดรางกันแบบปรับได้
- (39) รูสำหรับแคลมป์ยึดวัสดุ
- (40) สกรูหยุดสำหรับช่วงมุมข้อต่อด้านขวา (แนวตั้ง)
- (41) ตัวหยุดมุมข้อต่อมาตรฐาน 45° , 22.5° และ 33.9° (แนวตั้ง)
- (42) สกรูหนีบของส่วนขยายโต๊ะเลื่อย
- (43) สกรูนิรภัยของส่วนต่อขยายโต๊ะเลื่อย
- (44) ตัวยึดสำหรับส่วนรองรับชิ้นงาน (ที่เครื่องมือไฟฟ้า)
- (45) ตัวยึดสำหรับส่วนรองรับชิ้นงานที่สอง (ที่ส่วนรองรับชิ้นงาน)
- (46) ลูกเก็บผง
- (47) สกรูหัวเบ้าหกเหลี่ยมสำหรับยึดใบเลื่อย
- (48) หน้าแปลนยึด
- (49) ใบเลื่อย
- (50) หน้าแปลนยึดด้านใน
- (51) สกรูทางปลาสำหรับปรับความสูงของก้านเกลียว
- (52) ก้านเกลียว
- (53) สกรูทางปลาของแคลมป์ยึดวัสดุ
- (54) กรวยแคลมป์ยึดวัสดุ
- (55) เข็มชี้มุมสำหรับมุมข้อต่อ (แนวตั้ง)
- (56) สเกลสำหรับมุมข้อต่อ (แนวตั้ง)
- (57) สกรูหนีบของก้านวัดความยาว
- (58) รางนำของก้านวัดความยาว
- (59) สกรูทางปลาสำหรับยึดรางนำของก้านวัดความยาว
- (60) สกรูสำหรับแผ่นสอด
- (61) สกรูปรับสำหรับจัดวางตำแหน่งเลเซอร์

- (62) สามเหลี่ยมวัดมุม
- (63) สกรูหยุดสำหรับมุมข้อต่อ 0° (แนวตั้ง)
- (64) สกรูหัวเข่าหกเหลี่ยมของรางกัน
- (65) สกรูสำหรับเข็มชี้มุม (แนวตั้ง)
- (66) สกรูสำหรับเข็มชี้มุม (แนวนอน)

a) อาจไม่สามารถใช้งานได้ในบางรุ่นตามแต่ละประเทศ

ข้อมูลทางเทคนิค

แท่นเลื่อยตัดของคา		GCM 254 D
หมายเลขสินค้า		3 601 M53 0..
กำลังไฟฟีกัด	วัตต์	1800
ความเร็วรอบเดินเครื่องเปล่า	นาที ¹	4800
ชนิดของเลเซอร์	นาโนเมตร	650
	มิลลิวัตต์	< 1
ระดับของเลเซอร์		2
น้ำหนัก	กก.	17.9
ระดับการป้องกัน		□/
ขนาดของใบเลื่อยที่เหมาะสม		
เส้นผ่านศูนย์กลางของใบเลื่อย	มม.	254
ความหนาของใบเลื่อย	มม.	1.4-2.5
ความกว้างสูงสุดในการตัด	มม.	3
เส้นผ่านศูนย์กลางของรู	มม.	25.4

ขนาดชิ้นงานที่อนุญาต (สูงสุด/ต่ำสุด): (ดู "ขนาดชิ้นงานที่อนุญาต", หน้า 81)

ค่าที่ให้นี้ใช้ได้กับแรงดันไฟฟ้าแอนมิลivol [U] 230 โวลท์ค่าเหล่านี้ อาจเปลี่ยนแปลงไปสำหรับแรงดันไฟฟ้าที่แตกต่างกัน และโมเดลที่ผลิตสำหรับเฉพาะประเทศ

เครื่องเป็นไปตามข้อกำหนด IEC 61000-3-11 และขึ้นอยู่กับ การเชื่อมต่อแบบมีเงื่อนไข เครื่องอาจนำไปสู่ความผันผวนของแรงดันไฟฟ้าเป็นครั้งคราวภายใต้สภาวะพลังงานที่ไม่เอื้ออำนวย อิมพีแดนซ์ของอุปกรณ์นี้ถูกตั้งค่าเป็น $Z_{actual} = 0.094 \Omega$ ผู้ใช้ต้องแน่ใจว่าจุดเชื่อมต่อที่มีอิมพีแดนซ์ Z_{max} ซึ่งเสียบปลั๊กเครื่องใช้ไฟฟ้านั้นตรงตามข้อกำหนดอิมพีแดนซ์: $Z_{actual} \geq Z_{max}$ หากไม่ทราบ Z_{max} ให้ระบุโดยปรึกษากับผู้จัดจำหน่ายเครื่องขยายหรือผู้มีอำนาจในการจัดหา ค่าอาจแตกต่างกันไปตามผลิตภัณฑ์และขึ้นอยู่กับเงื่อนไขการใช้งานและสภาพแวดล้อม โปรดดูข้อมูลเพิ่มเติมที่เว็บไซต์ www.bosch-professional.com/wac

การติดตั้ง

- ▶ หลีกเลี่ยงอย่าให้เครื่องติดขึ้นเองโดยไม่ตั้งใจ ขณะติดตั้งและเมื่อทำการปรับแต่งใดๆ ที่เครื่องมือไฟฟ้า ต้องไม่ต่อปลั๊กไฟฟ้าเข้ากับแหล่งจ่ายไฟฟ้าหลัก

รายการสิ่งของที่จัดส่ง



กรุณาสังเกตภาพประกอบรายการสิ่งของที่จัดส่งในตอนต้นของคู่มือการใช้งาน

ก่อนใช้เครื่องทำงานเป็นครั้งแรก ให้ตรวจสอบว่าชิ้นส่วนทั้งหมดที่ระบุด้านล่างนี้ได้จัดส่งมาด้วยหรือไม่:

- แท่นเลื่อยตัดของคาพร้อมใบเลื่อยที่ติดตั้งมาแล้ว
- ถุงเก็บผง (46)
- ส่วนรองรับชิ้นงาน (17) (2 ชิ้น) (อาจไม่สามารถใช้งานได้บางรุ่นตามแต่ละประเทศ)
- แคลมป์ยึดวัสดุ (20)
- ประแจหกเหลี่ยม (24)
- สามเหลี่ยมวัดมุม (62)
- ส่วนต่อขยายโต๊ะเลื่อย (16) (2 ชิ้น)

หมายเหตุ: ตรวจสอบเครื่องมือไฟฟ้าเพื่อหาจุดชำรุดที่อาจมีก่อนใช้เครื่องมือไฟฟ้าต่อไปต้องตรวจสอบอุปกรณ์ป้องกันอันตรายว่าทำงานอย่างถูกต้องหรือไม่ ส่วนชำรุดเล็กน้อยใดๆ ต้องได้รับการตรวจสอบอย่างละเอียดถี่ถ้วนเพื่อจะได้อุ่นใจว่าเครื่องจะทำงานได้อย่างไม่มีข้อบกพร่อง ตรวจสอบชิ้นส่วนที่เคลื่อนไหวว่าทำงานอย่างถูกต้องและติดขัดหรือไม่ หรือมีชิ้นส่วนเสียหายหรือไม่ ชิ้นส่วนทั้งหมดต้องติดตั้งอย่างถูกต้องและตรงตามเงื่อนไขทั้งหมดเพื่อให้แน่ใจว่าจะทำงานได้อย่างไม่ผิดพลาด หากพบข้อบกพร่องหรือชำรุดที่เสียหายและเป็นที่ยอมรับเพื่อทำการซ่อมแซมหรือเปลี่ยนอุปกรณ์ป้องกันอันตรายและชิ้นส่วนที่เสียหายอย่างถูกต้อง

การติดตั้งส่วนประกอบแต่ละชิ้น

- นำชิ้นส่วนทั้งหมดที่จัดส่งมาออกจากหีบห่ออย่างรวดเร็ว
- นำวัสดุหีบห่อทั้งหมดออกจากเครื่องมือไฟฟ้าและอุปกรณ์ประกอบที่จัดส่งมา
- เพื่อให้การทำงานง่ายยิ่งขึ้นเมื่อประกอบชิ้นส่วนอุปกรณ์ที่ให้มา ตรวจสอบให้แน่ใจว่า เครื่องมือไฟฟ้าอยู่ในตำแหน่งการขนส่ง

การติดตั้งส่วนต่อขยายโต๊ะเลื่อย (ดูภาพประกอบ A1)

- ท่านสามารถติดตั้งส่วนต่อขยายโต๊ะเลื่อยทั้งบริเวณด้านซ้ายและด้านขวาของเครื่องมือไฟฟ้าเพื่อขยายโต๊ะเลื่อยให้กว้างขึ้นได้
- ขันสกรุนิรภัย (43) โดยใช้ไขควงหัวแฉกจากส่วนต่อขยายโต๊ะเลื่อย
 - เอียงเครื่องมือไฟฟ้า
 - เลื่อนส่วนต่อขยายโต๊ะเลื่อย (16) ทั้งสองด้านของเครื่องมือไฟฟ้าเข้าไปในรูเจาะที่กำหนดไว้จนสุด
 - ขันสกรุนิรภัย (43) เข้าไปในส่วนต่อขยายโต๊ะเลื่อยอีกครั้งเพื่อป้องกันไม่ให้ดึงออกได้

ติดตั้งอุปกรณ์หมุนชิ้นงาน (ดูภาพประกอบ A2)

สามารถจัดตำแหน่งอุปกรณ์หมุนชิ้นงาน (17) ซ้าย ขวาหรือด้านหน้าที่เครื่องมือไฟฟ้า ระบบปลั๊กอินที่ยึดหมุนช่วยให้คุณขยายหรือขยายรูปแบบใดหลากหลาย (ดูภาพประกอบ G)

- เลี่ยงอุปกรณ์หมุนชิ้นงาน (17) ส่วนรองรับ (44) ที่เครื่องมือไฟฟ้าหรือในสวนรองรับ (45) ของอุปกรณ์หมุนชิ้นงานทั้งสอง

▶ **อย่าใช้เครื่องมือไฟฟ้าตรงอุปกรณ์หมุนชิ้นงาน**
ขยายเครื่องมือไฟฟ้าด้วยอุปกรณ์สำหรับขยายเท่านั้น

การติดตั้งแบบประจำที่หรือแบบเคลื่อนที่

- ▶ **เพื่อควบคุมเครื่องให้ได้อย่างปลอดภัย ก่อนใช้งานต้องติดตั้งเครื่องบนพื้นผิวที่มั่นคงและราบเสมอกัน (ต. ย. เชน โตะทำงานของช่าง)**

การติดตั้งบนพื้นผิวทำงาน (ดูภาพประกอบ B1-B2)

- ยึดเครื่องมือไฟฟ้าเข้ากับพื้นผิวทำงานด้วยสกรูยึดที่เหมาะสม สำหรับการยึดให้ระบุ (9)

หรือ

- ทุบพื้นฐานของเครื่องมือไฟฟ้าเข้ากับพื้นผิวทำงานให้แน่นด้วยแคลมป์ยึดวัสดุที่มีจำหน่ายทั่วไป

การติดตั้งบนโต๊ะเลื่อย บ็อกซ์

โต๊ะเลื่อย GTA ของ บ็อกซ์ มีขาที่ปรับความสูงได้ จึงสามารถค้ำพยุงเครื่องมือไฟฟ้าบนทุกพื้นผิว แทนรองรับชิ้นงานของโต๊ะเลื่อยใช้สำหรับรองรับชิ้นงานที่มีขนาดยาว

- ▶ **อ่านคำเตือนเพื่อความปลอดภัยและคำสั่งทั้งหมดที่แนบมา กับโต๊ะเลื่อย** การไม่ปฏิบัติตามคำ

เตือนเพื่อความปลอดภัยและคำสั่ง อาจเป็นสาเหตุให้ถูกไฟฟ้าดูด เกิดไฟไหม้ และ/หรือได้รับบาดเจ็บอย่างร้ายแรง

- ▶ **ต่อโต๊ะเลื่อยอย่างถูกต้องก่อนติดตั้งเครื่องมือไฟฟ้า**

จำเป็นต้องต่อให้เรียบร้อยถูกต้องเพื่อหลีกเลี่ยงอันตรายจากการลมนิว

- ติดตั้งเครื่องมือไฟฟ้าในตำแหน่งขยายบนโต๊ะทำงาน

การติดตั้งแบบเคลื่อนที่ (ไม่แนะนำ!) (ดูภาพประกอบ B3)

ในบางกรณีที่ไม่สามารถติดตั้งเครื่องมือไฟฟ้าบนพื้นผิวทำงานที่ราบเรียบและมั่นคงได้ ท่านสามารถติดตั้งเครื่องโดยใช้ขาหมุนกันเอียงเป็นการชั่วคราว

- ▶ **หากไม่ใช้ขาหมุนกันเอียง เครื่องมือไฟฟ้าจะตั้งอยู่อย่างไม่ปลอดภัยและอาจพลิกคว่ำได้ โดยเฉพาะเมื่อเลื่อยมุมเอียงมากที่สุด ในแนวนอนและ/หรือแนวตั้ง**

- หมุนขาหมุนกันเอียง (31) เข้าหรือออกจนเครื่องมือไฟฟ้าตั้งตรงบนพื้นผิวทำงาน

การดูดฝุ่น/ซีลีย

ฝุ่นที่ได้จากวัสดุ เช่น เคลือบผิวที่มีสารตะกั่ว ไม้ยางประเภทแรธาตุ และโลหะ อาจเป็นอันตรายต่อสุขภาพ การสัมผัสหรือการหายใจเอาฝุ่นเข้าไปอาจทำให้เกิดปฏิกิริยาแพ้ฝุ่น และ/หรือนำมาซึ่งโรคติดเชื้อระบบหายใจแก่ผู้ใช้เครื่องหรือผู้ที่ยืนอยู่ใกล้เคียง

ฝุ่นบางประเภท เช่น ฝุ่นไม้โอ๊ก หรือไม้มีซัง นับเป็นสารที่ทำให้เกิดมะเร็ง โดยเฉพาะอย่างยิ่งเมื่อผสมกับสารเติมแต่งเพื่อบำบัดไม้ (โครเมต ผลิตภัณฑ์รักษาเนื้อไม้) สำหรับวัสดุที่มีแอลกอฮอล์สองให้ผู้ใช้สวมหน้ากากทำงานเท่านั้น

- ใช้ระบบดูดฝุ่นออกที่เหมาะสมกับประเภทวัสดุ มากเท่าที่จะทำได้
- จัดสถานที่ทำงานให้มีกระแสลมอากาศที่ดี

- ขอแนะนำให้สวมหน้ากากป้องกันการติดเชื้อที่มีระดับ-ไลกรอง P2

ปฏิบัติตามกฎข้อบังคับสำคัญอื่นๆ ที่เกี่ยวกับวัสดุชิ้นงานที่บังคับใช้ในประเทศของท่าน

- ▶ **ป้องกันการสะสมของฝุ่นในสถานที่ทำงาน** ฝุ่นสามารถถูกใหม่อย่างง่ายดาย

อุปกรณ์ดูดฝุ่น/ซีลียอาจอุดตันด้วยฝุ่น ซีลียหรือสะเก็ดชิ้นงาน

- ปิดสวิทช์เครื่อง และดึงปลั๊กไฟฟ้าออกจากเต้าเสียบ
- รอจนใบเลื่อยหยุดสนิท
- ทาลาเหตุของการอุดตันและทำการแก้ไข

การดูดฝุ่นในตัว (ดูภาพประกอบ C)

เพื่อความสะดวกในการเก็บเศษผง ให้ใช้ถุงเก็บเศษผง (46) (อุปกรณ์เสริม)

- สวมถุงเก็บเศษผง (46) เข้ากับช่องพ่นซีลีย (37)

ถุงเก็บเศษผงต้องไม่สัมผัสกับชิ้นส่วนของเครื่องมือที่เคลื่อนไหวโดยขณะทำการเลื่อย

ถ่ายถุงเก็บเศษผงอย่างทั่วถึงเสมอ

- ▶ **ตรวจสอบและทำความสะอาดถุงเก็บเศษผงทุกครั้งหลังใช้งาน**
- ▶ **เมื่อต้องการเลื่อยอะลูมิเนียม**
ให้ถอดถุงเก็บเศษผงออกเพื่อหลีกเลี่ยงอันตรายจากไฟไหม้

การดูดฝุ่นด้วยเครื่องดูดฝุ่นภายนอก

สำหรับการดูดฝุ่นออก ท่านสามารถเชื่อมต่อท่อดูดฝุ่น (Ø 35 มม.) เข้ากับช่องพ่นซีลีย (37) ได้เช่นกัน

เครื่องดูดฝุ่นต้องมีลักษณะการใช้งานที่เหมาะสมกับประเภทวัสดุชิ้นงาน

ในกรณีดูดฝุ่นแห้งที่เป็นอันตรายต่อสุขภาพอย่างยิ่งหรืออาจก่อให้เกิดมะเร็งได้ ให้ใช้เครื่องดูดฝุ่นพิเศษ

การเปลี่ยนใบเลื่อย (ดูภาพประกอบ D1-D4)

- ▶ **ดึงปลั๊กไฟออกจากเต้าเสียบก่อนปรับแต่งเครื่อง**

- ▶ **สวมถุงมือป้องกันอันตรายเมื่อติดตั้งใบเลื่อย** เมื่อสัมผัสใบเลื่อยจะเสี่ยงต่อการได้รับบาดเจ็บ

ใช้เฉพาะใบเลื่อยที่มีความเร็วสูงสุดที่อนุญาตสูงกว่าความเร็วรอบตัวเปล่าของเครื่องมือไฟฟ้าของท่าน

ใช้เฉพาะใบเลื่อยที่

มีคุณสมบัติสอดคล้องกับข้อมูลที่ระบุไว้ในหนังสือคู่มือการใช้งานเล่มนี้ และที่ผ่านการทดสอบและทำเครื่องหมายตาม EN 847-1

ใช้เฉพาะใบเลื่อยที่บริษัทผู้ผลิตเครื่องมือไฟฟ้านี้แนะนำให้ใช้ และใบเลื่อยที่เหมาะสมสำหรับวัสดุที่ต้องการตัด ในลักษณะนี้จะช่วยป้องกันไม่ให้ฟันเลื่อยร่อนเกินขอบเขตตัด

การถอดใบเลื่อย

- จัดเครื่องมือไฟฟ้าให้อยู่ในตำแหน่งทำงาน
- หมุนกระบังป้องกันใบเลื่อยชนิดชักกรนได้ (8), ไปด้านหลังและจับกระบังป้องกันใบเลื่อยชนิดชักกรนได้ไว้ในตำแหน่งนี้
- หมุนสกรูหัวจมทกเหลี่ยม (47) ด้วยประแจขันทกเหลี่ยม (8 มม.) (2) และในขณะที่เดียวกันให้กดลอคแกน (33) จนขยับเข้าที่
- กดลอคแกน (33) ค้างไว้ และขันสกรูหัวจมทกเหลี่ยม (47) ออกในทิศตามเข็มนาฬิกา (เกลียวซ้าย!)

- ถอดน็อตยึด (48) ออก
- ถอดใบเลื่อย (49) ออก
- เลื่อนกระบังป้องกันใบเลื่อยชนิดซักรันได้ลงอย่างช้าๆ อีกครั้ง

การประกอบใบเลื่อย

- ▶ เมื่อประกอบใบเลื่อย ต้องเอาใจใส่ให้ทิศทางตัดของฟัน (ทิศทางลูกศรบนใบเลื่อย) ชี้ไปทางเดียวกับทิศทางของลูกศรบนกระบังป้องกันใบเลื่อย!

ก่อนทำการติดตั้งให้ทำความสะอาดชิ้นส่วนที่จะติดตั้งทั้งหมด หากจำเป็น

- หมุนกระบังป้องกันใบเลื่อยชนิดซักรันได้ (8) ไปด้านหลัง และจับกระบังป้องกันใบเลื่อยชนิดซักรันได้ไว้ในตำแหน่งนี้
- ประกอบใบเลื่อยใหม่เข้ากับหน้าแปลนยึดด้านใน (50)
- ใส่ น็อตยึด (48) และสกรูหัวจมกเหลี่ยม (47) กดล็อกแกน (33) จนชนเขาที่ และขันสกรูหัวจมกเหลี่ยมให้แน่น โดยหมุนในทิศทางเข็มนาฬิกา
- เลื่อนกระบังป้องกันใบเลื่อยชนิดซักรันได้ลงอย่างช้าๆ อีกครั้ง

การปฏิบัติงาน

- ▶ ดึงปลั๊กไฟออกจากเต้าเสียบก่อนปรับแต่งเครื่อง

ล๊อคนิรภัยสำหรับขนย้าย (รูปภาพประกอบ E)

ล๊อคนิรภัยสำหรับขนย้าย (25) ทำให้สามารถจับถือเครื่องมือไฟฟ้าได้สะดวกเมื่อขนย้ายไปยังสถานที่ทำงานต่างๆ

การปลดเครื่อง (ตำแหน่งทำงาน)

- ดันแขนเครื่องมือตรงด้ามจับ (5) ลงเล็กน้อยเพื่อคลาย ล๊อคนิรภัยสำหรับขนย้าย (25)
- ดึงล๊อคนิรภัยสำหรับขนย้าย (25) ออกมาด้านนอกทั้งหมด
- เลื่อนแขนเครื่องมือขึ้นอย่างช้าๆ

การรีดเครื่อง (ตำแหน่งขนย้าย)

- คลายสกรูล็อค (1) ออกหากหนี้อุปกรณ์สไลด์ (2) อยู่ ดึงแขนเครื่องมือไปทางด้านหน้าจนสุด และขันสกรูล็อคกลับเข้าที่ให้แน่นเพื่อล๊อคอุปกรณ์สไลด์
 - ขันสกรูปรับ (23) ขึ้นทั้งหมด
 - สำหรับการล๊อคใบเลื่อย (29) ให้ขันลูกบิดล๊อค (12) ให้แน่น
 - หมุนแขนเครื่องมือตรงด้ามจับ (5) ลุงด้านข้างจนสามารถกดล๊อคนิรภัยสำหรับขนย้าย (25) เขาด้านในจนสุด
- ตอนนี้แขนเครื่องมือถูกล็อคอย่างแน่นหนาเพื่อการขนย้าย

การเตรียมการทำงาน

เพื่อให้แน่ใจว่าจะตัดชิ้นงานได้อย่างแม่นยำ หลังการใช้งาน พนักงานต้องตรวจสอบการปรับพื้นฐานของเครื่องมือไฟฟ้า และปรับตั้ง หากจำเป็น

สำหรับเรื่องนี้ท่านต้องมีประสบการณ์และเครื่องมือพิเศษที่สอดคล้องกัน

ศูนย์บริการลูกค้า บอช
ให้บริการบำรุงรักษาได้รวดเร็วและเชื่อถือได้

การขยายความยาว/การขยายความกว้างใบเลื่อย (รูปภาพประกอบ F-G)

ต้องหมุนส่วนปลายของชิ้นงานที่หนักและมีขนาดยาวที่ลอยอยู่ ใบเลื่อยสามารถขยายความยาวไปทางซ้ายหรือทางขวาด้วย ส่วนขยายใบเลื่อย (16)

- คลายสกรูหนีบ (42)
- ดึงส่วนขยายใบเลื่อย (16) ออกด้านนอกจนถึงความยาวที่ต้องการ
- สำหรับการตรึงส่วนขยายใบเลื่อย ให้ขันสกรูหนีบ (42) กลับเข้าที่แน่น

ระบบปลั๊กอินที่ยึดหุ่นของอุปกรณ์หมุนชิ้นงาน (17) ช่วยให้ คุณขยายหรือขยายรูปแบบได้หลากหลาย

- เสียบอุปกรณ์หมุนชิ้นงาน (17) ส่วนรองรับ (44) ที่เครื่องมือไฟฟ้าหรือในสวนรองรับ (45) ของอุปกรณ์หมุนชิ้นงานที่ลง

- ▶ **อย่าใช้เครื่องมือไฟฟ้าตรงอุปกรณ์หมุนชิ้นงาน ขนย้ายเครื่องมือไฟฟ้าด้วยอุปกรณ์สำหรับขนย้ายเท่านั้น**

การถอดรางกัน (รูปภาพประกอบ H)

คุณจำเป็นต้องถอดรางกันแบบปรับได้ด้านซ้ายหรือด้านขวา (19) ขณะเลื่อยมุมข้อต่อในแนวตั้ง

- คลายสกรูหางปลา (38)
- ถอดรางกันแบบปรับได้ (19)

หลังจากเลื่อยมุมข้อต่อในแนวตั้งแล้ว ให้ใส่รางกันแบบปรับได้ (19) กลับเข้าที่อีกครั้ง แล้วขันสกรูหางปลา (38) ให้แน่น

การยึดชิ้นงาน (รูปภาพประกอบ I1-I3)

เพื่อความปลอดภัยสูงสุดขณะทำงาน ต้องหนีบชิ้นงานให้แน่นเสมอ

อย่าเลื่อยชิ้นงานที่มีขนาดเล็กมากที่ยึดหนีบไม่ได้

การยึดในแนวตั้ง

- กดชิ้นงานเข้าหาแผ่นกัน (18) และ (19)
- ใส่แคลมป์ยึดวัสดุ (20) ที่จัดลงเข้ามาในรูที่มีไว้สำหรับวัสดุประเภทนี้ (39)
- คลายน็อตปีก (51) ออก และปรับแคลมป์ยึดวัสดุให้เข้ากับชิ้นงาน ขันน็อตปีกกลับให้แน่นอีกครั้ง
- ขันก้านหมุนเกลียว (52) ให้แน่น และด้วยเหตุนี้ชิ้นงานจึงถูกยึดแน่น

การยึดในแนวนอน

- ขันสกรูหางปลา (53) ออก แล้วดึงแคลมป์ยึดวัสดุออกจากกัน
- สอดแคลมป์ยึดวัสดุที่ "ลดขนาดลง" (20) พร้อมกรวย (54) เข้าไปในรูที่เจาะไว้ (28)
- กดชิ้นงานเข้าหาใบเลื่อย (29)
- ขันก้านเกลียว (52) ให้แน่น ซึ่งจะช่วยให้ชิ้นงานถูกยึดไว้ อย่างแน่นหนา

การปลดชิ้นงาน

- เมื่อต้องการปลดแคลมป์ยึดวัสดุ ให้หมุนก้านหมุนเกลียว (52) ไปในทิศทางเข็มนาฬิกา

การรับมุมเฉียงในแนวนอน

- จัดเครื่องมือไฟฟ้าให้อยู่ในตำแหน่งทำงาน

การปรับมุมเอียงมาตรฐานในแนวนอน (รูปภาพประกอบ J)
สำหรับการตั้งมุมเอียงในแนวนอนที่ใช้บ่อยให้รวดเร็วและแม่นยำให้โซของกัก (15) ที่โต๊ะเลือก:

ซ้าย	ขวา
	0°
45°; 22.5°; 15°	15°; 22.5°; 45°

- คลายลูกบิดล็อก (12) หากถูกขันจนแน่น
- ดันปุ่มล็อก (11) ลงด้านล่าง แล้วหมุนโต๊ะเลือก (29) ที่ลูกบิดล็อกไปทางด้านซ้ายหรือด้านขวาจนกระทั่งเข็มชี้มุม (14) ชี้ไปที่มุมขอต่อมาตรฐานในแนวนอนที่ต้องการ
- ปล่อยปุ่มล็อก (11) อีกครั้ง โต๊ะเลือกต้องล็อกเขาที่ในร่องอย่างรู้สึกได้
- ขันลูกบิดล็อก (12) กลับเข้าที่อีกครั้ง

การปรับมุมขอต่อในแนวนอนทั้งหมด

มุมเอียงในแนวนอนสามารถปรับตั้งได้ในช่วงระหว่าง 47° (ด้านซ้าย) ถึง 52° (ด้านขวา)

- คลายลูกบิดล็อก (12) หากถูกขันจนแน่น
- ดันปุ่มล็อก (11) ลงด้านล่าง แล้วหมุนโต๊ะเลือก (29) ที่ลูกบิดล็อกไปทางด้านซ้ายหรือด้านขวาจนกระทั่งเข็มชี้มุม (14) ชี้ไปที่มุมขอต่อในแนวนอนที่ต้องการ
- ปล่อยปุ่มล็อก (11) อีกครั้ง
- ขันลูกบิดล็อก (12) กลับเข้าที่อีกครั้ง

การปรับมุมเอียงในแนวตั้ง

ข้อต่อมุมในแนวตั้งสามารถปรับตั้งได้ในช่วงระหว่าง 45° (ด้านซ้าย) ถึง 45° (ด้านขวา)

เพื่อให้สามารถปรับมุมขอต่อในแนวตั้งที่ใช้งานบ่อยได้อย่างรวดเร็วและแม่นยำ ตัวหยุดจึงถูกกำหนดไว้ที่มุม 0°, 22.5°, 33.9° และ 45°

การปรับช่วงมุมขอต่อในแนวตั้งด้านซ้าย

- ถอดรางกันแบบปรับได้ด้านซ้าย (19)
- หมุนตัวหยุดด้านซ้าย (41) จนกระทั่งมุมขอต่อมาตรฐานในแนวตั้ง 45° ล็อกเขาที่ตรงเครื่องหมายลูกศรวิธีนี้ช่วยให้ช่วงการหมุนด้านซ้ายพร้อมใช้งานโดยสมบูรณ์
- ดึงปุ่มล็อก (13) ขึ้นด้านบน
- ใช้มือจับ (5) เลื่อนแขนเครื่องมือไปทางด้านซ้ายจนกระทั่งเข็มชี้มุม ชี้ไปที่มุมขอต่อในแนวตั้งที่ต้องการ
- ถือแขนเครื่องมือไว้ในตำแหน่งดังกล่าว แล้วดันปุ่มล็อก (13) ลงด้านล่างอีกครั้ง

การปรับช่วงมุมขอต่อในแนวตั้งด้านขวา

- ถอดรางกันแบบปรับได้ด้านขวา (19)
- หมุนตัวหยุดด้านขวา (41) จนกระทั่งมุมขอต่อมาตรฐานในแนวตั้ง 45° ล็อกเขาที่ตรงเครื่องหมายลูกศรวิธีนี้ช่วยให้ช่วงการหมุนด้านขวาพร้อมใช้งานโดยสมบูรณ์
- ดึงปุ่มล็อก (13) ขึ้นด้านบน
- หมุนสวิตช์ปรับตั้ง (21) ไปทางด้านซ้ายเล็กน้อย แล้วใช้มือจับ (5) เลื่อนแขนเครื่องมือไปทางด้านขวาจนกระทั่งเข็มชี้มุม ชี้ไปที่มุมขอต่อในแนวตั้งที่ต้องการ
- ถือแขนเครื่องมือไว้ในตำแหน่งดังกล่าว แล้วดันปุ่มล็อก (13) ลงด้านล่างอีกครั้ง

การปรับมุมเอียงมาตรฐานในแนวตั้ง (รูปภาพประกอบ K)

- ถอดรางกันแบบปรับได้ด้านขวา/ด้านซ้าย (19)
- ดึงปุ่มล็อก (13) ขึ้นด้านบน

มุมขอต่อมาตรฐาน 0°:

- หมุนสวิตช์ปรับตั้ง (21) ไปทางด้านซ้ายเล็กน้อย แล้วเลื่อนแขนเครื่องมือจากด้านขวาไปยังตำแหน่ง 0° จนกระทั่งได้ยินเสียงล็อกเขาที่ตำแหน่ง 0°
- ดันปุ่มล็อก (13) ลงด้านล่างอีกครั้ง

มุมขอต่อมาตรฐาน 45°, 33.9° และ 22.5°:

- หมุนตัวหยุดด้านซ้ายหรือด้านขวา (41) จนกระทั่งมุมขอต่อมาตรฐานในแนวตั้งที่ต้องการล็อกเขาที่ตรงเครื่องหมายลูกศร
- เลื่อนแขนเครื่องมือไปทางด้านซ้ายจนสุด หรือ
- หมุนสวิตช์ปรับตั้ง (21) ไปทางด้านซ้ายเล็กน้อย แล้วใช้มือจับ (5) เลื่อนแขนเครื่องมือไปทางด้านขวาจนสุด
- ดันปุ่มล็อก (13) ลงด้านล่างอีกครั้ง

การเริ่มต้นปฏิบัติงาน

- ▶ **ให้สังเกตแรงดันไฟฟ้า!** แรงดันไฟฟ้าจากแหล่งจ่ายไฟฟ้าต้องมีค่าตรงกับค่าแรงดันไฟฟ้าที่ระบุไว้บนแผ่นป้ายพิกัดเครื่อง
- ▶ **ขันลูกบิดล็อก (12) ให้แน่นก่อนเสียบ แล้วดันปุ่มล็อก (13) ลงด้านล่าง** มิฉะนั้นใบเลื่อยอาจติดขัดในชิ้นงานได้

เบ็ดสวิตช์ (รูปภาพประกอบ L)

- เมื่อต้องการให้เครื่องมือไฟฟ้าเริ่มต้นปฏิบัติงาน ในเบื้องต้นให้กดปุ่มล็อก (6) จากนั้นให้กดสวิตช์เบ็ด-ปิด (35) จนสุดและกดค้างไว้

หมายเหตุ: ด้วยเหตุผลด้านความปลอดภัย จึงไม่สามารถล็อกสวิตช์เบ็ด-ปิด (35) ได้ จะต้องกดสวิตช์เบ็ด-ปิดตลอดเวลาปฏิบัติงาน

ปิดสวิตช์

- เมื่อต้องการ**ปิดสวิตช์**ให้ปล่อยนิ้วจากสวิตช์เบ็ด-ปิด (35)

การเสียบ

คำแนะนำทั่วไปสำหรับการเสียบ

- ▶ **ขันลูกบิดล็อก (12) ให้แน่นก่อนเสียบ แล้วดันปุ่มล็อก (13) ลงด้านล่าง** มิฉะนั้นใบเลื่อยอาจติดขัดในชิ้นงานได้
- ▶ **สำหรับการตัดทุกครั้ง ก่อนอื่นต้องทำให้แน่ใจว่าใบเลื่อยจะไม่สัมผัสกับแผ่นกัน แคลมป์ยึดวัสดุ หรือส่วนอื่นๆ ของเครื่องในทุกเวลา** ปาดตัวหยุดเสริมใดๆ ที่ติดตั้งออกไปหรือปรับให้เหมาะสม

ป้องกันใบเลื่อยไม่ให้ถูกกระทบกระเทือน อย่ากดใบเลื่อยลงทางด้านข้าง

เสียบเฉพาะวัสดุที่ได้รับอนุญาตในประโยชน์การใช้งานของเครื่องเท่านั้น

อย่าเสียบชิ้นงานที่เปียก ชิ้นงานต้องมีขอบตรงเสมอเพราะต้องประกบกับแผ่นกัน

ต้องหนุนส่วนปลายของชิ้นงานที่หนักและมีขนาดยาวที่ลอยอยู่ ตรวจสอบให้แน่ใจว่ากระบังป้องกันใบเลื่อยชนิดชักกรนได้ทำงานอย่างถูกต้องและเคลื่อนไหวไปมาได้อย่างอิสระ เมื่อเลื่อนแขนเครื่องมือลง กระบังป้องกันใบเลื่อยชนิดชักกรนได้

ต้องเปิด เมื่อเลื่อนแขนเครื่องมือขึ้น กระบ้งป้องกันใบเลื่อย ชนิดซึ่กรันได้ต้องปิดครอบใบเลื่อยอีกครั้ง และล็อกอยู่ในตำแหน่งบนสุดของแขนเครื่องมือ

ตำแหน่งของผู้ใช้งานเครื่อง (รูปภาพประกอบ M)

- **อย่ายืนในแนวเดียวกับใบเลื่อยตรงหน้าเครื่อง ต้องยืนเฉียงไปทางด้านข้างใบเลื่อยเสมอ** ในลักษณะนี้ร่างกายของท่านจะได้รับการปกป้องจากการตีกลับที่อาจเกิดขึ้น
- เอามือ นิ้ว และแขนออกห่างจากใบเลื่อยที่กำลังหมุน
 - อย่าไขว้มือของท่านตรงด้านหน้าแขนเครื่องมือ

การเลื่อยแบบสไลด์

- สำหรับการตัดแบบสไลด์ (2) (ชิ้นงานกว้าง) ให้คลายสลกรูล็อค (1) ออกหากถูกขันแน่น
- ปรับตั้งมุมเอียงในแนวนอนและ/หรือแนวตั้งที่ต้องการ หากจำเป็น
- กดชิ้นงานเข้าหาแผ่นกัน (18) และ (19) อย่างมั่นคง
- หนีบชิ้นงานตามขนาดของชิ้นงานที่แน่นอน
- ดึงแขนเครื่องมือออกจากแผ่นกัน (18) จนใบเลื่อยอยู่ด้านหลังชิ้นงาน
- เปิดสวิตช์เครื่องมือไฟฟ้า
- เลื่อนแขนเครื่องมือพร้อมทั้งตามจับ (5) ลงอย่างช้าๆ จากนั้นให้ต้นแขนเครื่องมือไปในทิศทางแผ่นกัน (18) และ (19) และเลื่อยผ่านชิ้นงานด้วยอัตราป้อนคงที่
- ปิดสวิตช์เครื่องมือไฟฟ้า และรอจนใบเลื่อยหยุดสนิท
- เลื่อนแขนเครื่องมือขึ้นอย่างช้าๆ

การเลื่อยแบบไมล์สไลด์ (การตัดออก) (รูปภาพประกอบ N)

- สำหรับการตัดแบบไมล์สไลด์ (ชิ้นงานขนาดเล็ก) ให้คลายสลกรูล็อค (1) ออกหากถูกขันแน่น เลื่อนแขนเครื่องมือไปจนสุดในทิศทางแผ่นกัน (18) และขันลูกบิดล็อค (1) กลับเข้าที่อีกครั้ง
- ปรับตั้งมุมเอียงในแนวนอนและ/หรือแนวตั้งที่ต้องการ หากจำเป็น
- กดชิ้นงานเข้าหาแผ่นกัน (18) และ (19) อย่างมั่นคง
- หนีบชิ้นงานตามขนาดของชิ้นงานที่แน่นอน
- เปิดสวิตช์เครื่องมือไฟฟ้า
- เลื่อนแขนเครื่องมือตรงตามจับ (5) ลงอย่างช้าๆ
- เลื่อยผ่านชิ้นงานด้วยอัตราป้อนคงที่
- ปิดสวิตช์เครื่องมือไฟฟ้า และรอจนใบเลื่อยหยุดสนิท
- เลื่อนแขนเครื่องมือขึ้นอย่างช้าๆ

ข้อแนะนำในการทำงาน

การทำเครื่องหมายเส้นตัด (รูปภาพประกอบ O)

- ลำแสงเลเซอร์ชี้ให้เห็นเส้นตัดของใบเลื่อย ซึ่งช่วยให้สามารถจัดวางตำแหน่งชิ้นงานเพื่อทำการเลื่อยได้อย่างถูกต้องแม่นยำโดยไม่ต้องเปิดบังใบป้องกันชนิดโยกได้
- เปิดใช้งานลำแสงเลเซอร์โดยใช้สวิตช์ (36)
 - จัดวางตำแหน่งเครื่องหมายลงบนชิ้นงานบริเวณตรงกลางเส้นเลเซอร์

หมายเหตุ: ตรวจสอบก่อนทำการเลื่อยว่าเส้นตัดยังคงแสดงให้เห็นอย่างถูกต้องหรือไม่ ลำแสงเลเซอร์อาจเลื่อนออกจากตำแหน่งได้ เช่น เนื่องจากการสั่นสะเทือนเมื่อใช้งานหนัก

ขนาดชิ้นงานที่อนุญาต

ชิ้นงานสูงสุด:

มุมเอียงในแนวนอน	มุมเอียงในแนวตั้ง	สูง x กว้าง [มม.]
0°	0°	90 x 310
45°	0°	90 x 210
0°	45° (ซ้าย)	45 x 310
45°	45° (ซ้าย)	45 x 210
0°	45° (ขวา)	35 x 310
45°	45° (ขวา)	35 x 210

ขนาดชิ้นงานต่ำสุด (= ชิ้นงานทั้งหมดที่สามารถหนีบเข้าทางซ้ายหรือทางขวาจากใบเลื่อยด้วยแคลมป์ยึดวัสดุ (20) ที่จัดลงมา): 130 x 50 มม. (ความยาว x ความกว้าง)

ความลึกการตัดสูงสุด (0°/0°): 90 มม.

การเลื่อยชิ้นงานยาวเท่ากัน (รูปภาพประกอบ P)

ท่านสามารถใช้ก้านหยุดความยาว (26) เพื่อเลื่อยชิ้นงานให้มีความยาวเท่ากันอย่างง่ายดาย

- คลายสลกรูหนีบ (57) และเลื่อนก้านหยุดความยาว (26) เข้าในรางนำ (58) บนความยาวชิ้นงานที่ต้องการ
- ขันสลกรูหนีบ (57) ให้แน่นอีกครั้ง

ชิ้นงานที่ยาวกว่า:

- คลายนอตปิก (59) และดึงรางนำ (58) ไปทางด้านนอกจนสุด
- ขันนอตปิก (59) กลับให้แน่นอีกครั้ง
- ปรับก้านหยุดความยาว (26) ตามความยาวชิ้นงานที่ต้องการ

เลื่อยโดยไม่ใช้ก้านหยุดความยาว:

- คลายสลกรูหนีบ (57) และเลื่อนก้านหยุดความยาว (26) เข้าในรางนำ (58) ไปทางด้านนอกให้สุด
- ขันหัวหยุดความยาวเป็นมุม 90° โดยให้ขนานกับรางหยุด (18)
- ขันสลกรูหนีบ (57) ให้แน่นอีกครั้ง

การปรับก้านวัดความลึก (การเลื่อยเซาะร่อง) (รูปภาพประกอบ Q)

ต้องปรับก้านวัดความลึกเมื่อต้องการเลื่อยเซาะร่อง

- หมุนก้านวัดความลึก (22) ออกไปด้านนอก
- หมุนแขนเครื่องมือตรงตามจับ (5) ไปยังตำแหน่งที่ต้องการ
- หมุนสลกรูปรับ (23) จนปลายสลกรูสัมผัสก้านวัดความลึก (22)
- เลื่อนแขนเครื่องมือขึ้นอย่างช้าๆ

ชิ้นงานพิเศษ

เมื่อต้องการตัดชิ้นงานที่มีรูปทรงโค้งหรือทรงกลม ต้องยึดชิ้นงานเหล่านี้ให้แน่นเป็นพิเศษเพื่อป้องกันการลื่นไถลที่เสถียรต่อไม่มีช่องว่างระหว่างชิ้นงาน แผ่นกัน และโต๊ะเลื่อยจัดเตรียมอุปกรณ์ยึดจับพิเศษ หากจำเป็น

การเปลี่ยนแผ่นสอ (รูปภาพประกอบ R)

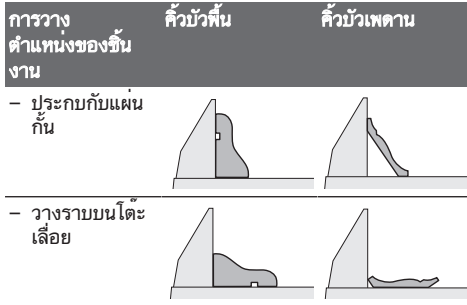
แผ่นสอ (10) อาจสึกหรอหลังจากใช้งานเครื่องมือไฟฟ้าเป็นเวลานาน

เอาเฟลตแทรกที่ชำรุดออกและเปลี่ยนใหม่

- จัดเครื่องมือไฟฟ้าให้อยู่ในตำแหน่งทำงาน
- ชนสกรู (60) ออกด้วยไขควงปากแฉกที่มีจำหน่ายทั่วไป และถอดแผ่นสอศเกาออก (10)
- วางแผ่นสอศใหม่เข้าและชนสกรู (60) ให้แน่นอีกครั้ง

การทำงานกับแผ่นรูปทรง

ท่านสามารถเปลี่ยนแผ่นรูปทรงได้สองแบบต่างๆ กัน:



นอกจากนี้ยังสามารถตัดแบบสลัดหรือไมสัดก็ได้ ทั้งนี้ขึ้นอยู่กับความกว้างของแผ่นรูปทรง
ทดลองตัดมุมเฉียงที่ตั้งไว้ (แนวนอนและ/หรือแนวตั้ง) กับเศษไม้ก่อนเสมอ

การปรับเลเซอร์

หมายเหตุ: เมื่อต้องการทดสอบการทำงานของเลเซอร์ ต้องเชื่อมต่อเครื่องมือไฟฟ้ากับแหล่งจ่ายกระแสไฟฟ้า

► **ในขณะที่ปรับเลเซอร์ (เช่น เมื่อเคลื่อนแขนเครื่องมือ) อย่ากดสวิทช์เปิด-ปิดอย่างเด็ดขาด** การติดตั้งเองโดยไม่ตั้งใจของเครื่องมือไฟฟ้าอาจทำให้บาดเจ็บได้

- วางเครื่องในตำแหน่งทำงาน
- หมุนโต๊ะเลื่อย (29) ไปจนถึงช่องกัก (15) สำหรับ 0° คำนปรับ ต้องขบเขาในช่องกักอย่างรู้สึกได้

เพื่อให้แน่ใจว่าจะตัดชิ้นงานได้อย่างแม่นยำ หลังการใช้งานหนักท่านต้องตรวจสอบลำแสงเลเซอร์และปรับตั้งใหม่ หากจำเป็น
สำหรับเรื่องนี้ท่านต้องมีประสบการณ์และเครื่องมือพิเศษที่สอดคล้องกัน

ศูนย์บริการลูกค้า บอช
ให้บริการบำรุงรักษาได้รวดเร็วและเชื่อถือได้

การตรวจสอบ (คุณภาพประกอบ S1)

- วาดเส้นตัดตรงบนชิ้นงาน
 - เลื่อนแขนเครื่องมือพร้อมด้ามจับ (5) ลงอย่างช้าๆ
 - จัดตำแหน่งชิ้นงานในลักษณะให้ฟันของใบเลื่อยอยู่ตรงแนวกับเส้นตัด
 - จับชิ้นงานไว้ในตำแหน่งนี้ให้แน่นและเลื่อนแขนเครื่องมือขึ้นอย่างช้าๆ อีกครั้ง
 - หนีบชิ้นงานให้แน่น
 - เปิดลำแสงเลเซอร์ด้วยสวิทช์ (36)
- ลำแสงเลเซอร์ต้องทาบเรียบกับเส้นตัดบนชิ้นงานตลอดความยาวทั้งหมด แม้เมื่อเลื่อนแขนเครื่องมือลง

การปรับ (คุณภาพประกอบ S2)

- หมุนสกรูปรับ (61) ด้วยไขควงที่เหมาะสมจนลำแสงเลเซอร์ทาบเรียบกับเส้นตัดบนชิ้นงานตลอดความยาวทั้งหมด

การหมุนในทิศทวนเข็มนาฬิกาหนึ่งรอบจะขยายลำแสงเลเซอร์จากซ้ายไปขวา การหมุนในทิศตามเข็มนาฬิกาหนึ่งรอบจะขยายลำแสงเลเซอร์จากขวาไปซ้าย

การตรวจสอบและปรับตั้งการปรับพื้นฐาน

เพื่อให้แน่ใจว่าจะตัดชิ้นงานได้อย่างแม่นยำ หลังการใช้งานหนักท่านต้องตรวจสอบการปรับพื้นฐานของเครื่องมือไฟฟ้าและปรับตั้ง หากจำเป็น
สำหรับเรื่องนี้ท่านต้องมีประสบการณ์และเครื่องมือพิเศษที่สอดคล้องกัน

ศูนย์บริการลูกค้า บอช
ให้บริการบำรุงรักษาได้รวดเร็วและเชื่อถือได้

การปรับมุมข้อต่อมาตรฐานในแนวตั้ง 0°

- จัดวางเครื่องมือไฟฟ้าให้อยู่ในตำแหน่งทำงาน
- หมุนโต๊ะเลื่อย (29) ไปที่ร่อง (15) สำหรับ 0° คำนปรับ ต้องล็อกเขาที่ในร่องอย่างรู้สึกได้
- ดึงปุ่มล็อก (13) ขึ้นด้านบน
- หมุนสวิทช์ปรับตั้ง (21) ไปทางด้านซ้ายเล็กน้อย แล้วเลื่อนแขนเครื่องมือจากด้านขวาไปยังตำแหน่ง 0° จนกระทั่งได้ยินเสียงล็อกเขาที่ตำแหน่ง 0°
- ดันปุ่มล็อก (13) ลงด้านล่างอีกครั้ง

การตรวจสอบ (คุณภาพประกอบ T1)

- ตั้งสามเหลี่ยมมุมฉาก (62) โดยทำมุม 90° กับใบเลื่อย (49) ระหว่างโต๊ะเลื่อย (29) และใบเลื่อยบนโต๊ะเลื่อย (29)

ขาของสามเหลี่ยมมุมฉากต้องทาบเรียบกับใบเลื่อย (49) ตลอดความยาวทั้งหมด

การปรับ (คุณภาพประกอบ T2)

- คลายน็อตล็อกของสกรูหยุด (63) โดยใช้ประแจแหวนหรือประแจปากตายที่มีจำหน่ายทั่วไป
 - หมุนสกรูหยุด (63) เข้าหรือออกจนกระทั่งขาของสามเหลี่ยมมุมฉาก (62) อยู่ในระนาบเดียวกับใบเลื่อยตลอดความยาว
 - ดันปุ่มล็อก (13) ลงด้านล่างอีกครั้ง
 - จากนั้นให้ขันน็อตล็อกของสกรูหยุด (63) ให้แน่นอีกครั้ง
- ในกรณีที่เข็มชี้มุม (55) ไม่อยู่ตรงกับเครื่องหมาย 0° บนสเกล (56) หลังจากการปรับ ให้คลายสกรู (65) โดยใช้ไขควงหัวแฉกที่มีจำหน่ายทั่วไป แล้วจัดวางตำแหน่งเข็มชี้มุมให้ตรงกับเครื่องหมาย 0° (คุณภาพประกอบ W)

การปรับมุมข้อต่อมาตรฐานในแนวตั้ง 45° (ด้านขวา)

- จัดวางเครื่องมือไฟฟ้าให้อยู่ในตำแหน่งทำงาน
- หมุนโต๊ะเลื่อย (29) ไปที่ร่อง (15) สำหรับ 0° คำนปรับ ต้องล็อกเขาที่ในร่องอย่างรู้สึกได้
- ถอดรางกันแบบปรับได้ตามด้านขวา (19).
- หมุนตัวหยุดด้านขวา (41) จนกระทั่งมุมข้อต่อมาตรฐานที่ 45° ล็อกเขาที่ตรงเครื่องหมายลูกศร
- ดึงปุ่มล็อก (13) ขึ้นด้านบน

- หมุนสวิตช์ปรับตั้ง (21) ไปทางด้านซ้าย แล้วใช้มือจับ (5) เลื่อนแขนเครื่องมือไปทางด้านขวาจนสุด

การตรวจสอบ (รูปภาพประกอบ U1)

- วางสามเหลี่ยมวัดมุม (62) ที่มีมุม 45° ลงบนโต๊ะเลื่อย โดยให้อยู่ในระนาบเดียวกับใบเลื่อย (49) ระหว่างโต๊ะเลื่อย (29) กับใบเลื่อยด้านขวา

ขาของสามเหลี่ยมวัดมุมต้องอยู่ในระนาบเดียวกับใบเลื่อย (49) ตลอดความยาว

การปรับ (รูปภาพประกอบ U2)

- คลายน็อตล็อกของสกรูหยุด (40) โดยใช้ประแจแหวน หรือประแจปากตายที่มีจำหน่ายทั่วไป
- หมุนสกรูหยุด (40) เข้าหรือออกจนกระทั่งขาของสามเหลี่ยมวัดมุม (62) อยู่ในระนาบเดียวกับใบเลื่อย ตลอดความยาว
- ดันปุ่มล็อก (13) ลงด้านล่างอีกครั้ง
- จากนั้นให้ขันน็อตล็อกของสกรูหยุด (40) ให้แน่นอีกครั้ง ในกรณีที่มีเข็มชี้มุม (55) ไม่อยู่ตรงกับเครื่องหมาย 45° บนสเกล (56) หลังจากการปรับ ในขั้นแรกให้ตรวจสอบการปรับ 0° สำหรับมุมข้อต่อในแนวตั้งและเข็มชี้มุมอีกครั้ง จากนั้นให้ปรับมุมข้อต่อในแนวตั้ง 45° ซ้ำ

การวางแนวแผ่นกัน

- จัดวางเครื่องมือไฟฟ้าให้อยู่ในตำแหน่งขนย้าย
- คลายลูกบิดล็อก (12) หากถูกขันจนแน่น
- ดันปุ่มล็อก (11) ลงด้านล่าง แล้วหมุนโต๊ะเลื่อย (29) จนตั้งตรง (15) สำหรับ 0°
- ปล่อยปุ่มล็อก (11) อีกครั้ง โต๊ะเลื่อยต้องล็อกเข้าที่ในร่องอย่างรู้สึกได้
- ถอดรางกันแบบปรับได้ (19)

การตรวจสอบ (รูปภาพประกอบ V1)

- ตั้งสามเหลี่ยมมุมฉาก (62) โดยทำมุม 90° กับใบเลื่อย (49) ระหว่างแผ่นกัน (18) และใบเลื่อยบนโต๊ะเลื่อย (29).

ขาของสามเหลี่ยมมุมฉากต้องทาบเรียบกับแผ่นกันตลอดความยาวทั้งหมด

การปรับ (รูปภาพประกอบ V2)

- คลายสกรูหัวจมหกเหลี่ยมทั้งหมด (64) ออกด้วยประแจขันทกเหลี่ยม (24) ที่จัดส่งมา
- หมุนแผ่นกัน (18) ไปจนสามเหลี่ยมมุมฉากทาบเรียบตลอดความยาวทั้งหมด
- ขันสกรูกลับให้แน่นอีกครั้ง

การจัดแนวเข็มชี้มุม (แนวตั้ง) (รูปภาพประกอบ W)

- ดึงปุ่มล็อก (13) ขึ้นด้านบน
- หมุนสวิตช์ปรับตั้ง (21) ไปทางด้านซ้ายเล็กน้อย แล้วเลื่อนแขนเครื่องมือจากด้านขวาไปยังตำแหน่ง 0° จนกระทั่งไดอินเลียงล็อกเข้าที่ตำแหน่ง 0°
- ดันปุ่มล็อก (13) ลงด้านล่างอีกครั้ง

การตรวจสอบ

เข็มชี้มุม (55) ต้องอยู่ในแนวเส้นขีด 0° ของมาตราส่วน (56)

การปรับ

- คลายสกรู (65) โดยใช้ไขควงปากแฉกที่มีจำหน่ายทั่วไป และวางแนวเข็มชี้มุมเทียบกับเส้นขีด 0°
- ขันสกรูกลับเข้าให้แน่น

การจัดแนวเข็มชี้มุม (แนวนอน) (รูปภาพประกอบ X)

- วางเครื่องในตำแหน่งทำงาน
- หมุนโต๊ะเลื่อย (29) ไปจนถึงช่องกัก (15) สำหรับ 0° คั่นปรับ ต้องขบเข้าในช่องกักอย่างรู้สึกได้

การตรวจสอบ

เข็มชี้มุม (14) ต้องอยู่ในแนวเส้นขีด 0° ของมาตราส่วน (30)

การปรับ

- คลายสกรู (66) โดยใช้ไขควงปากแฉกที่มีจำหน่ายทั่วไป และวางแนวเข็มชี้มุมเทียบกับเส้นขีด 0°
- ขันสกรูกลับให้แน่นอีกครั้ง

การขนย้ายเครื่องมือไฟฟ้า (รูปภาพประกอบ Y)

ก่อนขนย้ายเครื่องมือไฟฟ้าจำเป็นต้องปฏิบัติตามขั้นตอนต่อไปนี้:

- คลายสกรูล็อค (1) หากถูกขันแน่น ดึงแขนเครื่องมือไปทางด้านหน้าจนสุด และขันสกรูล็อคให้แน่นอีกครั้ง
 - ตรวจสอบให้แน่ใจว่าก้านวัดความลึก (22) ถูกดันเข้าไปตามในจนสุดและสกรูปรับ (23) พอดีกับช่องเมื่อขยับแขนเครื่องมือโดยไม่สัมผัสกับก้านวัดความลึก
 - จัดวางเครื่องมือไฟฟ้าให้อยู่ในตำแหน่งขนย้าย
 - ถอดอุปกรณ์เสริมทั้งหมดที่ไม่สามารถติดตั้งเข้ากับเครื่องมือไฟฟ้าได้อย่างแน่นอน หากเป็นไปได้อื่นๆ ขนย้ายใบเลื่อยที่ไม่ใช้งานโดยจัดเก็บในภาชนะบรรจุที่ปิดฝา
 - ถอดเครื่องมือไฟฟ้าตรงมือจับขนย้าย (4) หรือจับตรงของมือจับ (27) ที่ด้านข้างของโต๊ะเลื่อย
- ▶ เมื่อขนย้ายเครื่องมือไฟฟ้า ให้ยกจับที่อุปกรณ์สำหรับขนย้ายเท่านั้น และอย่ายกจับที่อุปกรณ์ป้องกันอันตรายหรืออุปกรณ์หมุนชิ้นงานอย่างเด็ดขาด

การบำรุงรักษาและการบริการ

การบำรุงรักษาและการทำความสะอาด

- ▶ ดึงปลั๊กไฟออกจากเต้าเสียบก่อนปรับแต่งเครื่อง
- ▶ เพื่อให้ทำงานได้อย่างถูกต้องและปลอดภัย ต้องรักษาเครื่องและช่องระบายอากาศให้สะอาดอยู่เสมอ

หากจำเป็นต้องเปลี่ยนสายไฟฟ้า ต้องส่งเครื่องให้ Bosch หรือศูนย์บริการหลังการขายที่ได้รับมอบหมายสำหรับเครื่องมือไฟฟ้า Bosch เปลี่ยนให้ ทั้งนี้เพื่อหลีกเลี่ยงอันตราย กระบุงป้องกันใบเลื่อยชนิดชักฟันได้ต้องเคลื่อนไหวไปมาได้อย่างอิสระและร่นบิดได้โดยอัตโนมัติตลอดเวลา ดังนั้นต้องรักษาวินรอบๆ กระบุงป้องกันใบเลื่อยชนิดชักฟันได้ให้สะอาดอยู่เสมอ

หลังเสร็จงานทุกครั้ง ให้เอาฟองน้ำและเศษออกโดยเป่าด้วยอากาศอัดหรือใช้แปรงบิดทำความสะอาดลูกกลิ้งเป็นประจำ (32)

มาตรการลดเสียงรบกวน

มาตรการโดยผู้ผลิต:

- การสารถแบบหมุนวน
- การส่งมอบพร้อมใบเลื่อยที่พัฒนาขึ้นเป็นพิเศษสำหรับลดเสียงรบกวน

มาตรการโดยผู้ใช้:

- การติดตั้งแบบให้มีการสัมผัสที่อ่อนน้อมบนพื้นผิวทำงานที่มันคง
- การใช้ใบเลื่อยที่มีคุณสมบัติลดเสียงรบกวน
- การทำความสะอาดใบเลื่อยและเครื่องมือไฟฟ้าเป็นประจำ

การบริการหลังการขายและการให้คำปรึกษาการใช้ งาน

ศูนย์บริการหลังการขายของเรายินดีตอบคำถามของท่านที่เกี่ยวกับการบำรุงรักษาและการซ่อมแซมผลิตภัณฑ์รวมทั้งเรื่องอะไหล่ ภาพเขียนแบบการประกอบและข้อมูลเกี่ยวกับอะไหล่ กรุณาดูใน: www.bosch-pt.com ที่งานที่ปรึกษาของ บอช ยินดีให้ข้อมูลเกี่ยวกับผลิตภัณฑ์ของเราและอุปกรณ์ประกอบต่างๆ

เมื่อต้องการสอบถามและสั่งซื้ออะไหล่ กรุณาแจ้งหมายเลขสินค้า 10 หลักบนแผ่นป้ายรุ่นของผลิตภัณฑ์ทุกครั้ง

ไทย

ไทย บริษัท โรเบิร์ต บอช จำกัด
 เอฟวายโอ เซ็นเตอร์ อาคาร 1 ชั้น 5
 เลขที่ 2525 ถนนพระราม 4
 แขวงคลองเตย เขตคลองเตย กรุงเทพฯ 10110
 โทร: +66 2012 8888
 แฟกซ์: +66 2064 5800
www.bosch.co.th

ศูนย์บริการซ่อมและฝึกอบรม บอช
 อาคาร ลาสาลทาวเวอร์ ชั้น G ห้องเลขที่ 2
 บ้านเลขที่ 10/11 หมู่ 16
 ถนนศรีนครินทร์ ตำบลบางแก้ว อำเภอบางพลี
 จังหวัดสมุทรปราการ 10540
 ประเทศไทย
 โทรศัพท์ 02 7587555
 โทรสาร 02 7587525

สามารถดูที่อยู่ศูนย์บริการอื่นๆ ได้ที่:

www.bosch-pt.com/serviceaddresses

การกำจัดขยะ

เครื่องมือไฟฟ้า อุปกรณ์ประกอบ และที่บล็อ ดึงนำ
 ไปแยกประเภทเพื่อการใช้ที่ปลอดภัยและเป็นมิตรต่อสิ่งแวดล้อม
 อย่างทิ้งเครื่องมือไฟฟ้าลงในขยะบ้าน!



Bahasa Indonesia

Petunjuk Keselamatan

Petunjuk Keselamatan Umum Perkakas Listrik

⚠ PERINGATAN Baca semua peringatan, petunjuk, ilustrasi, dan spesifikasi keselamatan yang diberikan bersama perkakas listrik

ini. Kesalahan dalam menjalankan petunjuk di bawah ini dapat mengakibatkan sengatan listrik, kebakaran, dan/atau cedera serius.

Simpanlah semua peringatan dan petunjuk untuk penggunaan di masa mendatang.

Istilah "perkakas listrik" dalam peringatan mengacu pada perkakas listrik yang dioperasikan dengan listrik (menggunakan kabel) atau perkakas listrik yang dioperasikan dengan baterai (tanpa kabel).

Keamanan tempat kerja

- ▶ **Jaga kebersihan dan pencahayaan area kerja.** Area yang berantakan atau gelap dapat memicu kecelakaan.
- ▶ **Jangan mengoperasikan perkakas listrik di lingkungan yang dapat memicu ledakan, seperti adanya cairan, gas, atau debu yang mudah terbakar.** Perkakas listrik dapat memancarkan bunga api yang kemudian mengakibatkan debu atau uap terbakar.
- ▶ **Jauhkan dari jangkauan anak-anak dan pengamat saat mengoperasikan perkakas listrik.** Gangguan dapat menyebabkan hilangnya kendali.

Keamanan listrik

- ▶ **Steker perkakas listrik harus sesuai dengan stopkontak. Jangan pernah memodifikasi steker. Jangan menggunakan steker adaptor bersama dengan perkakas listrik yang terhubung dengan sistem grounding.** Steker yang tidak dimodifikasi dan stopkontak yang cocok akan mengurangi risiko sengatan listrik.
- ▶ **Hindari kontak badan dengan permukaan yang terhubung dengan sistem grounding, seperti pipa, radiator, kompor, dan lemari es.** Terdapat peningkatan risiko terjadinya sengatan listrik jika badan Anda terhubung dengan sistem grounding.
- ▶ **Perkakas listrik tidak boleh terpapar hujan atau basah.** Air yang masuk ke dalam perkakas listrik menambah risiko terjadinya sengatan listrik.
- ▶ **Jangan menyalahgunakan kabel. Jangan gunakan kabel untuk membawa, menarik, atau melepas steker perkakas listrik. Jauhkan kabel dari panas, minyak, tepi yang tajam, atau komponen yang bergerak.** Kabel listrik yang rusak atau tersangkut menambah risiko terjadinya sengatan listrik.
- ▶ **Saat mengoperasikan perkakas listrik di luar ruangan, gunakan kabel ekstensi yang sesuai untuk penggunaan di luar ruangan.** Penggunaan kabel yang cocok untuk pemakaian di luar ruangan mengurangi risiko terjadinya sengatan listrik.
- ▶ **Jika perkakas listrik memang harus dioperasikan di tempat yang lembap, gunakan pemutus arus listrik residu (RCD).** Penggunaan RCD akan mengurangi risiko terjadinya sengatan listrik.

Keselamatan personel

- ▶ **Tetap waspada, perhatikan aktivitas yang sedang dikerjakan dan gunakan akal sehat saat mengoperasikan perkakas listrik. Jangan gunakan**

perkakas listrik saat mengalami kelelahan atau di bawah pengaruh narkoba, alkohol, atau obat-obatan.

Jika perkakas listrik dioperasikan dengan daya konsentrasi yang rendah, hal tersebut dapat menyebabkan cedera serius.

- ▶ **Gunakan peralatan pelindung diri. Selalu kenakan pelindung mata.** Penggunaan perlengkapan pelindung seperti penutup telinga, helm, sepatu anti licin, dan masker debu akan mengurangi cedera.
- ▶ **Hindari start yang tidak disengaja. Pastikan switch berada di posisi off sebelum perkakas listrik dihubungkan ke sumber daya listrik dan/atau baterai, diangkat, atau dibawa.** Membawa perkakas listrik dengan jari menempel pada tombol atau perkakas listrik dalam keadaan hidup dapat memicu kecelakaan.
- ▶ **Singkirkan kunci penyetel atau kunci pas sebelum menghidupkan perkakas listrik.** Perkakas atau kunci pas yang masih menempel pada komponen perkakas listrik yang berputar dapat menyebabkan cedera.
- ▶ **Jangan melampaui batas. Berdirilah secara mantap dan selalu jaga keseimbangan.** Hal ini akan memberikan kontrol yang lebih baik terhadap perkakas listrik pada situasi yang tak terduga.
- ▶ **Kenakan pakaian dengan wajar. Jangan mengenakan perhiasan atau pakaian yang longgar. Jauhkan rambut dan pakaian dari komponen yang bergerak.** Pakaian yang longgar, rambut panjang, atau perhiasan dapat tersangkut dalam komponen yang bergerak.
- ▶ **Jika disediakan perangkat untuk sambungan pengisapan debu dan alat pengumpulan, pastikan perangkat tersebut terhubung dan digunakan dengan benar.** Penggunaan alat pengumpulan dapat mengurangi bahaya yang disebabkan oleh debu.
- ▶ **Jangan berpuas diri dan mengabaikan prinsip keselamatan karena terbiasa mengoperasikan perkakas.** Tindakan yang kurang hati-hati dapat mengakibatkan cedera serius dalam waktu sepersekian detik.

Penggunaan dan pemeliharaan perkakas listrik

- ▶ **Jangan memaksakan perkakas listrik. Gunakan perkakas listrik yang sesuai untuk pekerjaan yang dilakukan.** Perkakas listrik yang sesuai akan bekerja dengan lebih baik dan aman sesuai tujuan penggunaan.
- ▶ **Jangan gunakan perkakas listrik dengan switch yang tidak dapat dioperasikan.** Perkakas listrik yang switchnya yang tidak berfungsi dapat menimbulkan bahaya dan harus diperbaiki.
- ▶ **Lepaskan steker dari sumber listrik dan/atau lepas baterai, jika dapat dilepaskan dari perkakas listrik sebelum menyetel, mengganti aksesoris, atau menyimpan perkakas listrik.** Tindakan preventif akan mengurangi risiko menghidupkan perkakas listrik secara tidak disengaja.
- ▶ **Jauhkan dan simpan perkakas listrik dari jangkauan anak-anak dan jangan biarkan orang-orang yang tidak mengetahui cara menggunakan perkakas listrik,**

mengoperasikan perkakas listrik. Perkakas listrik dapat membahayakan jika digunakan oleh orang-orang yang tidak terlatih.

- ▶ **Lakukan pemeliharaan perkakas listrik dan aksesoris. Periksa komponen yang bergerak apabila tidak lurus atau terikat, rusakkan komponen, dan kondisi lain yang dapat mengganggu pengoperasian perkakas listrik. Apabila rusak, perbaiki perkakas listrik sebelum digunakan.** Kecelakaan sering terjadi karena perkakas listrik tidak dirawat dengan baik.
- ▶ **Jaga ketajaman dan kebersihan alat.** Alat pemotong dengan pisau pemotong yang tajam dan dirawat dengan baik tidak akan mudah tersangkut dan lebih mudah dikendalikan.
- ▶ **Gunakan perkakas listrik, aksesoris, dan komponen perkakas dll sesuai dengan petunjuk ini, dengan mempertimbangkan kondisi kerja dan pekerjaan yang akan dilakukan.** Penggunaan perkakas listrik untuk tujuan berbeda dari fungsinya dapat menyebabkan situasi yang berbahaya.
- ▶ **Jaga gagang dan permukaan genggam agar tetap kering, bersih, dan bebas dari minyak dan lemak.** Gagang dan permukaan genggam yang licin tidak menjamin keamanan kerja dan kontrol alat yang baik pada situasi yang tidak terduga.

Servis

- ▶ **Minta teknisi berkualifikasi untuk menyervis perkakas listrik dengan hanya menggunakan suku cadang yang identik.** Dengan demikian, hal ini akan memastikan keamanan perkakas listrik.

Petunjuk Keselamatan untuk Gergaji Miter (Mitre Saw)

- ▶ **Gergaji miter ditujukan untuk memotong kayu atau produk berbahan sejenis kayu. Gergaji ini tidak dapat digunakan dengan cakram pemotong abrasif untuk memotong material dari besi seperti batang, tongkat, tiang, dll.** Debu abrasif menyebabkan komponen yang bergerak, seperti pelindung bagian bawah, menjadi tersendat. Percikan api dari pemotongan abrasif akan membakar pelindung bawah, sisipan kerf dan bagian berbahan plastik lainnya.
- ▶ **Jika mungkin, gunakan penjepit untuk menyokong benda kerja. Jika benda kerja dipegang dengan tangan, Anda harus selalu menjaga jarak tangan Anda setidaknya 100 mm dari masing-masing bilah gergaji. Jangan menggunakan gergaji ini untuk memotong benda yang terlalu kecil meski dijepit dengan aman atau dipegang dengan tangan.** Jika tangan berada terlalu dekat dengan bilah gergaji, akan terdapat risiko cedera yang lebih tinggi karena kontak dengan bilah.
- ▶ **Benda kerja harus dalam keadaan tidak bergerak dan dijepit atau dipegang dengan ditekan ke pelindung dan ke meja. Jangan mengumpalkan benda kerja secara bebas ke bilah atau memotong dengan tangan kosong dengan cara apa pun.** Benda kerja yang bebas

atau bergerak dapat terlempar dengan kecepatan tinggi, dan menyebabkan cedera.

- ▶ **Tekan gergaji dengan mendorongnya ke benda kerja. Jangan memotong dengan menarik gergaji pada benda kerja. Untuk memotong, angkat kepala gergaji dan tarik keluar ke atas benda kerja tanpa memotongnya, lalu hidupkan mesin, tekan kepala gergaji ke bawah dan kemudian dorong sambil menekan gergaji ke benda kerja.** Memotong dengan pull stroke (menarik gergaji sambil ditekan ke benda kerja) dapat menyebabkan bilah gergaji naik ke atas benda kerja dan rakitan bilah terlempar dengan keras ke arah operator.
- ▶ **Jangan pernah menyilangkan tangan pada garis yang hendak dipotong baik di depan maupun di belakang bilah gergaji.** Memegang benda kerja dengan "tangan menyilang" yaitu memegang benda kerja di sebelah kanan bilah gergaji dengan tangan kiri, atau sebaliknya, sangatlah berbahaya.
- ▶ **Jangan mencoba meraih ke belakang pelindung kurang dari 100 mm dari masing-masing bilah gergaji dengan tangan, guna melepaskan potongan kayu, atau karena alasan lainnya saat bilah sedang berputar.** Jarak bilah gergaji yang berputar ke tangan dapat menjadi tidak mudah terlihat dan dapat menyebabkan cedera serius.
- ▶ **Teliti benda kerja sebelum memotong. Jika benda kerja bengkok atau melengkung, jepitlah dengan bagian luar yang melengkung menghadap ke pelindung. Selalu pastikan bahwa tidak terdapat celah antara benda kerja, pelindung dan meja sepanjang garis pemotongan.** Benda kerja yang bengkok atau melengkung dapat berputar atau bergeser dan dapat menyebabkan lilitan pada bilah gergaji yang berputar saat pemotongan. Tidak boleh terdapat paku atau benda asing di dalam benda kerja.
- ▶ **Jangan gunakan gergaji sampai meja bebas dari semua peralatan, potongan kayu, dll. selain benda kerja.** Puing-puing kecil atau potongan-potongan kayu yang terlepas atau objek lainnya yang mengenai bilah yang berputar dapat terlempar dengan kecepatan tinggi.
- ▶ **Potonglah hanya satu benda kerja dalam satu waktu.** Benda kerja yang ditumpuk tidak dapat dijepit atau ditahan dengan benar dan dapat melilit pada bilah atau bergeser selama pemotongan.
- ▶ **Pastikan gergaji miter dipasang atau ditempatkan pada permukaan kerja yang kuat dan rata sebelum digunakan.** Permukaan kerja yang kuat dan rata akan membuat gergaji miter tidak mudah goyah.
- ▶ **Buatlah rencana kerja. Setiap kali Anda mengubah setelan kemiringan atau sudut 45 derajat (mitre angle), pastikan pelindung yang dapat disetel telah disesuaikan dengan benar untuk menyokong benda kerja dan tidak akan mengganggu bilah atau sistem pelindung.** Gerakkan bilah gergaji untuk menyimulasikan satu potongan penuh tanpa menekan tombol "ON" dan tanpa adanya benda kerja di meja untuk memastikan tidak akan terdapat gangguan atau bahaya terpotongnya pelindung.
- ▶ **Sediakan sokongan yang memadai seperti meja tambahan, kuda-kuda penyangga, dll untuk benda kerja yang berukuran lebih lebar atau lebih panjang dari permukaan meja.** Benda kerja yang berukuran lebih lebar atau lebih panjang dari meja gergaji miter dapat terbalik jika tidak disokong dengan aman. Jika benda yang terpotong atau benda kerja terbalik, benda dapat mencabut pelindung bawah atau terlempar oleh bilah yang berputar.
- ▶ **Jangan meminta orang lain untuk menjadi penyokong sebagai pengganti meja tambahan.** Penyokong untuk benda kerja yang goyah dapat menyebabkan bilah melilit atau benda kerja bergeser selama operasi pemotongan dan menarik Anda dan asisten Anda menuju ke bilah yang berputar.
- ▶ **Bagian yang dipotong tidak boleh mendesak atau ditekan, dengan alat apa pun, ke bilah gergaji yang berputar.** Jika terperangkap, yaitu karena menggunakan pembatas (length stop), bagian yang dipotong dapat terjepit dan menekan bilah lalu terlempar dengan keras.
- ▶ **Selalu gunakan penjepit atau dudukan yang dirancang untuk menyokong dengan baik benda berbentuk bundar seperti tangkai silinder atau pipa.** Tangkai silinder memiliki kecenderungan tergulir saat dipotong, yang menyebabkan bilah menusuk dan menarik benda kerja maupun tangan Anda menuju ke bilah.
- ▶ **Biarkan bilah mencapai kecepatan penuh sebelum menyentuh benda kerja.** Hal ini akan mengurangi risiko terlemparnya benda kerja.
- ▶ **Jika benda kerja atau bilah mengalami kemacetan, matikan gergaji miter. Tunggulah hingga semua bagian yang bergerak berhenti dan cabut steker dari sumber daya dan/atau lepas baterai. Lalu bebaskan benda yang macet.** Meneruskan memotong dengan benda kerja yang terjepit dapat menyebabkan gergaji miter kehilangan kendali atau rusak.
- ▶ **Setelah selesai memotong, lepaskan switch, turunkan kepala gergaji, dan tunggu hingga bilah gergaji berhenti sebelum mengangkat benda yang dipotong.** Meraih dengan tangan di dekat bilah yang berjalan sangatlah berbahaya.
- ▶ **Genggam pegangan dengan kuat saat memotong sebagian atau saat melepas switch sebelum kepala gergaji benar-benar di posisi bawah.** Tindakan pengereman gergaji dapat menyebabkan kepala gergaji tiba-tiba tertarik ke bawah, yang menyebabkan risiko cedera.
- ▶ **Jangan melepaskan gagang saat kepala gergaji telah mencapai posisi terendah. Selalu arahkan kembali kepala gergaji ke posisi teratas dengan tangan.** Jika kepala gergaji bergerak secara tidak terkendali, hal tersebut dapat menyebabkan risiko cedera.
- ▶ **Jaga tempat pengerjaan tetap bersih.** Campuran bahan yang berserakan cukup berbahaya. Debu logam yang kecil dapat terbakar atau menimbulkan ledakan.

- ▶ **Jangan menggunakan mata gergaji yang tumpul, retak, bengkok, atau rusak.** Mata gergaji dengan gigi-gigi yang tumpul atau bengkok mengakibatkan celah pemotongan terlalu sempit sehingga terjadi gesekan yang terlalu tinggi, mata gergaji terjepit, dan terjadi sentakan.
- ▶ **Jangan menggunakan mata gergaji yang terbuat dari baja kecepatan tinggi (baja HSS).** Mata gergaji dari bahan ini mudah patah.
- ▶ **Selalu gunakan bilah gergaji dengan ukuran dan bentuk lubang poros yang sesuai (belah ketupat versus bulat).** Bilah gergaji yang tidak sesuai dengan perangkat keras yang terpasang pada gergaji akan bergerak tidak simetris dan mengakibatkan kehilangan kendali.
- ▶ **Jangan pernah menyingkirkan sisa-sisa pemotongan, serbuk kayu, dan semacamnya dari bidang pemotongan jika perkakas listrik dalam keadaan hidup.** Gerakan kepala perkakas selalu ke posisi normal dahulu dan kemudian matikan perkakas listrik.
- ▶ **Setelah digunakan, jangan memegang mata gergaji yang masih panas, tungguhingga menjadi dingin.** Selama penggunaannya, mata gergaji menjadi sangat panas.
- ▶ **Perkakas listrik dikirim dengan tanda peringatan laser (lihat tabel "Simbol dan artinya").**
- ▶ **Jika teks pada tanda peringatan laser tidak tertulis dalam bahasa negara Anda, tempelkan label yang tersedia dalam bahasa negara Anda di atas label berbahasa Inggris sebelum Anda menggunakan alat untuk pertama kalinya.**
- ▶ **Jangan pernah menutupi atau melepas label tentang keselamatan kerja yang ada pada perkakas listrik.**



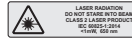
Jangan melihat sinar laser ataupun mengarahkannya kepada orang lain atau hewan baik secara langsung maupun dari pantulan. Sinar laser dapat membutakan seseorang, menyebabkan kecelakaan atau merusak mata.

- ▶ **Jika radiasi laser mengenai mata, tutup mata Anda dan segera gerakkan kepala agar tidak terkena sorotan laser.**
- ▶ **Jangan mengubah peralatan laser.** Anda dapat menggunakan opsi pengaturan yang dijelaskan pada petunjuk penggunaan mesin dengan aman.
- ▶ **Jangan biarkan anak-anak menggunakan perkakas listrik tanpa pengawasan.** Hal ini dapat menyilaukan orang lain atau diri sendiri secara tidak sengaja

Simbol-simbol

Simbol-simbol berikut dapat membantu Anda dalam menggunakan perkakas listrik. Pelajari dan ingat simbol-simbol berikut beserta maknanya. Pengertian yang betul dari simbol-simbol ini bisa membantu Anda untuk menggunakan perkakas listrik dengan lebih baik dan aman.

Simbol dan artinya



Sinar laser
Jangan menatap sinar Laser kelas 2



Jangan mendekatkan tangan Anda pada area pemotongan saat perkakas listrik beroperasi. Sentuhan dengan mata gergaji dapat mengakibatkan cedera.



Kenakan masker pelindung debu.



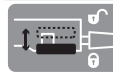
Kenakan kaca mata pelindung.



Pakailah pelindung telinga. Suara bising dapat menyebabkan daya pendengaran berkurang.



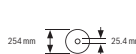
Area berbahaya! Jauhkan tangan, jari atau lengan dari area ini.



Untuk mengatur sudut mitre vertikal tertentu, lengan perkakas harus dapat digerakkan secara bebas.

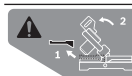
Tombol pengunci ditarik ke atas: Sudut mitre vertikal dapat diatur.

Tombol pengunci ditekan ke bawah: Sudut mitre vertikal yang diatur akan dipertahankan.

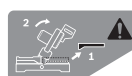


Perhatikan ukuran mata gergaji. Diameter lubang harus sesuai dengan spindle alat dan tidak goyah. Jika penggunaan reduktor diperlukan, pastikan ukuran reduktor sesuai dengan ketebalan bilah baja, diameter lubang pada mata gergaji, serta diameter spindle alat. Sebisamungkin, gunakan reduktor yang disertakan bersama mata gergaji.

Diameter mata gergaji harus sesuai dengan informasi yang tercantum pada simbol.



Saat memotong sudut mitre vertikal, rel pembatas sisi kiri atau kanan yang dapat disesuaikan harus dilepas.



Spesifikasi produk dan performa



Bacalah semua petunjuk keselamatan dan petunjuk penggunaan. Kesalahan dalam menjalankan petunjuk keselamatan dan petunjuk penggunaan dapat mengakibatkan kontak listrik, kebakaran, dan/atau luka-luka yang berat.

Perhatikan ilustrasi yang terdapat pada sisi sampul panduan pengoperasian.

Tujuan penggunaan

Perkakas listrik ini merupakan perkakas yang dapat dipasang di lantai yang digunakan untuk melakukan pemotongan tegak lurus memanjang dan melintang pada kayu. Sudut mitre horizontal dapat bersudut mulai -47° hingga $+52^\circ$ dan sudut mitre vertikal dapat bersudut mulai 45° (sisi kiri) hingga 45° (sisi kanan).

Kapasitas perkakas listrik sesuai untuk memotong kayu keras dan kayu lunak serta papan partikel dan fiberboard.

Jika menggunakan mata gergaji yang sesuai, perkakas listrik juga dapat digunakan untuk memotong profil aluminium dan bahan sintetik.

Ilustrasi komponen

Penomoran ilustrasi komponen mengacu pada gambar perkakas listrik pada halaman grafis.

- (1) Sekrup pengencang alat pemandu gerakan
- (2) Alat pemandu gerakan
- (3) Label peringatan laser
- (4) Gagang untuk mengangkat perkakas
- (5) Gagang
- (6) Kunci pengaman untuk tombol on/off
- (7) Kap pelindung
- (8) Kap pelindung yang dapat digeser
- (9) Lubang untuk pemasangan
- (10) Pelat sisipan
- (11) Tombol pengunci untuk sudut mitre (horizontal)
- (12) Kenop pengunci untuk sudut mitre lainnya (horizontal)
- (13) Tombol pengunci untuk sudut mitre (vertikal)
- (14) Indikator sudut untuk sudut mitre (horizontal)
- (15) Penahan untuk sudut mitre standar (horizontal)
- (16) Ekstensi meja potong
- (17) Penopang benda kerja^{a)}
- (18) Rel pembatas stasioner
- (19) Rel pembatas yang dapat disesuaikan
- (20) Penjepit sekrup
- (21) Kenop pengaturan untuk sudut mitre 0° (vertikal)
- (22) Pembatas kedalaman
- (23) Sekrup penyatel pembatas kedalaman
- (24) Kunci L
- (25) Kunci pengaman untuk pengangkutan
- (26) Mistar pembatas
- (27) Lekukan untuk menggenggam alat
- (28) Lubang untuk opsi pemasangan horizontal
- (29) Meja potong
- (30) Skala untuk sudut mitre (horizontal)
- (31) Pelindung antimiring
- (32) Rol peluncur
- (33) Pengunci spindel
- (34) Lubang outlet sinar laser
- (35) Tombol on/off
- (36) Tombol on/off untuk laser (penanda garis pemotongan)
- (37) Ejektor serbuk
- (38) Baut kupu-kupu untuk mengatur rel pembatas yang dapat disesuaikan
- (39) Lubang untuk penjepit sekrup
- (40) Sekrup pembatas untuk rentang sudut mitre sisi kanan (vertikal)
- (41) Pembatas sudut potong standar 45° , $22,5^\circ$ dan $33,9^\circ$ (vertikal)
- (42) Sekrup penjepit ekstensi meja potong
- (43) Sekrup pengunci ekstensi meja potong
- (44) Dudukan untuk penopang benda kerja (pada perkakas listrik)
- (45) Dudukan untuk penopang benda kerja kedua (pada penopang benda kerja)
- (46) Kantong debu
- (47) Sekrup heksagon untuk mengencangkan mata gergaji
- (48) Flensa penjepit
- (49) Mata gergaji
- (50) Flensa penjepit bagian dalam
- (51) Baut kupu-kupu untuk menyesuaikan ketinggian batang berulir
- (52) Batang berulir
- (53) Baut kupu-kupu penjepit sekrup
- (54) Penjepit sekrup kerucut
- (55) Indikator sudut untuk sudut mitre (vertikal)
- (56) Skala untuk sudut mitre (vertikal)
- (57) Sekrup penjepit mistar pembatas
- (58) Rel pemandu mistar pembatas
- (59) Baut kupu-kupu untuk memasang rel pemandu mistar pembatas
- (60) Baut untuk pelat sisipan
- (61) Sekrup penyatel untuk pengaturan posisi laser
- (62) Mistar segitiga pengukur sudut
- (63) Sekrup pembatas untuk sudut mitre 0° (vertikal)
- (64) Sekrup heksagon rel pembatas

- (65) Sekrup untuk indikator sudut (vertikal)
- (66) Sekrup untuk indikator sudut (horizontal)
- a) **Tidak tersedia untuk semua model khusus tiap negara.**

Data teknis

Mesin gergaji panel	GCM 254 D	
Nomor barang		3 601 M53 0..
Input daya nominal	W	1800
Kecepatan idle	min ⁻¹	4800
Jenis laser	nm	650
	mW	< 1
Kelas laser		2
Berat	kg	17,9
Tingkat perlindungan		□/II
Ukuran untuk mata gergaji yang sesuai		
Diameter mata gergaji	mm	254
Ketebalan bilah baja	mm	1,4–2,5
Lebar pemotongan maks.	mm	3
Diameter lubang	mm	25,4

Ukuran benda kerja yang diperbolehkan (maksimal/minimal): (lihat „Ukuran benda kerja yang diperbolehkan“, Halaman 94)

Data-data berlaku untuk tegangan nominal [U] 230 V. Pada tegangan yang lebih rendah dan pada model khusus mancanegara data-data ini bisa berlainan.

Alat memenuhi persyaratan IEC 61000-3-11 dan tunduk pada koneksi bersyarat. Alat terkadang dapat menyebabkan fluktuasi tegangan dalam kondisi daya yang tidak menguntungkan. Impedansi alat diatur sebagai $Z_{\text{aktual}} = 0,094 \Omega$. Pengguna harus memastikan bahwa titik koneksi, dengan impedansi Z_{maks} , dimana alat harus dipasang, memenuhi persyaratan impedansi: $Z_{\text{aktual}} \geq Z_{\text{maks}}$. Jika Z_{maks} tidak diketahui, tentukan Z_{maks} dengan berkonsultasi dengan pemasok jaringan atau otoritas pemasok.

Nilai dapat berbeda-beda bergantung pada produk dan mungkin tunduk pada kondisi lingkungan serta penggunaan. Informasi lebih lanjut pada www.bosch-professional.com/wac.

Cara memasang

- **Hindari perkakas listrik hidup secara tidak sengaja. Selama melakukan pemasangan dan pekerjaan lainnya pada perkakas listrik, steker tidak boleh dialiri listrik.**

Lingkup pengiriman



Untuk itu, perhatikan ilustrasi lingkup pengiriman pada awal panduan pengoperasian.

Sebelum menggunakan perkakas listrik untuk pertama kalinya, periksalah apakah semua komponen di bawah ini disertakan:

- Mesin gergaji panel dengan mata gergaji yang terpasang
- Kantong debu (46)
- Penopang benda kerja (17) (2 buah) (tidak tersedia untuk semua model khusus tiap negara.)

- Penjepit sekrup (20)
- Kunci L (24)
- Mistar segitiga pengukur sudut (62)
- Ekstensi meja potong (16) (2 buah)

Catatan: Periksa perkakas listrik dari kemungkinan kerusakan.

Sebelum melanjutkan menggunakan perkakas listrik, periksa dengan saksama semua komponen pelindung atau komponen yang sedikit rusak apakah komponen tersebut berfungsi dengan baik. Periksa apakah komponen yang bergerak berfungsi dengan baik dan tidak terjepit atau apakah ada komponen yang rusak. Semua bagian-bagian harus terpasang dengan benar dan memenuhi semua persyaratan guna menjamin penggunaan perkakas listrik yang sempurna.

Komponen perlindungan dan bagian-bagian yang rusak harus diperbaiki atau diganti di bengkel yang disetujui.

Memasang komponen-komponen

- Keluarkan semua komponen yang disediakan di kemasan dengan hati-hati.
- Singkirkan semua bahan kemasan dari perkakas listrik dan dari aksesoris yang disediakan.
- Pastikan perkakas listrik berada dalam posisi pengangkutan agar pemasangan komponen perangkat yang disertakan lebih mudah dilakukan.

Memasang ekstensi meja potong (lihat gambar A1)

Agar meja potong menjadi lebih lebar, ekstensi meja potong dapat dipasang di sisi kiri dan kanan pada perkakas listrik.

- Lepas sekrup pengunci (43) dari ekstensi meja potong dengan obeng kembang.
- Miringkan perkakas listrik.
- Masukkan ekstensi meja potong (16) pada kedua sisi perkakas listrik hingga maksimal ke dalam lubang yang disediakan.
- Untuk mengunci posisi meja, pasang kembali sekrup pengunci (43) ke ekstensi meja potong.

Memasang penopang benda kerja (lihat gambar A2)

Penopang benda kerja (17) dapat diatur posisinya di sebelah kiri, kanan, atau di depan perkakas listrik. Sistem pemasangan yang fleksibel memungkinkan pengguna melakukan berbagai variasi ekstensi atau pelebaran (lihat gambar G).

- Pasang penopang benda kerja (17) ke dalam dudukan (44) pada perkakas listrik atau ke dalam dudukan (45) pada penopang benda kerja kedua sesuai dengan kebutuhan.
- **Jangan pernah memegang penopang benda kerja untuk membawa perkakas listrik. Hanya gunakan peralatan untuk mengangkat saat mengangkat perkakas listrik.**

Pemasangan stasioner atau fleksibel

- **Untuk menjamin keamanan kerja, perkakas listrik harus dipasang terlebih dulu di tempat kerja yang**

datar dan stabil (misalnya meja kerja) sebelum digunakan.

Pemasangan di area kerja (lihat gambar B1–B2)

- Kencangkan perkakas listrik di meja kerja dengan sekrup yang sesuai. Untuk itu, gunakan lubang-lubang bor (9).

atau

- Kencangkan kaki perkakas listrik pada meja kerja dengan klem yang tersedia secara komersial.

Pemasangan di meja kerja Bosch

Meja kerja GTA Bosch menahan kedudukan perkakas listrik di segala permukaan dengan kaki yang dapat disetel ketinggiannya. Dudukan benda kerja pada area kerja digunakan untuk menunjang benda kerja yang berukuran panjang.

- ▶ **Baca semua petunjuk peringatan keamanan yang tercantum untuk meja kerja.** Jika petunjuk untuk keamanan kerja dan penggunaan tidak dipatuhi, dapat terjadi kontak listrik, kebakaran dan/atau cedera parah.
- ▶ **Sebelum memasang perkakas listrik pada meja kerja, rakit dulu meja kerja dengan benar.** Perakitan yang tepat sangat penting dilakukan agar meja kerja tidak roboh.
- Pasang perkakas listrik di area kerja pada posisi pengangkutan.

Pemasangan fleksibel (tidak disarankan!) (lihat gambar B3)

Jika perkakas listrik tidak memungkinkan dipasang di tempat yang rata dan stabil pada situasi tertentu, perkakas listrik dapat disetel dengan perlindungan antimiring untuk sementara waktu.

- ▶ **Perkakas listrik akan berdiri dengan tidak seimbang tanpa perlindungan antimiring dan dapat miring atau terbalik terutama saat mengoperasikan perkakas dengan sudut potong horizontal dan/atau vertikal maksimal.**
- Putar perlindungan antimiring (31) ke dalam atau luar sejauh mungkin hingga perkakas listrik tegak lurus dengan permukaan kerja.

Pengisapan debu/serbuk

Debu dari bahan-bahan seperti cat yang mengandung timbal, beberapa jenis kayu, bahan mineral dan logam dapat berbahaya bagi kesehatan. Menyentuh atau menghirup debu tersebut dapat mengakibatkan reaksi alergi dan/atau penyakit saluran pernapasan bagi pengguna atau orang yang berada di dekatnya.

Beberapa debu tertentu seperti misalnya debu kayu pohon ek atau pohon fagus silvatica dianggap dapat mengakibatkan penyakit kanker, terutama dalam campuran dengan bahan-bahan tambahan untuk pengolahan kayu (kromat, obat pengawet kayu). Bahan-bahan yang mengandung asbestos hanya boleh dikerjakan oleh orang-orang yang ahli.

- Gunakanlah hanya pengisap debu yang cocok untuk mengisap bahan yang dikerjakan.

- Pastikan terdapat ventilasi udara yang baik di tempat kerja.
- Dianjurkan untuk memakai masker anti debu dengan filter kelas P2.

Taatilah peraturan-peraturan untuk bahan-bahan yang dikerjakan yang berlaku di negara Anda.

▶ **Hindari debu yang banyak terkumpul di tempat kerja.**

Debu dapat tersulut dengan mudah.

Pengisap debu/serbuk dapat tersumbat oleh debu, serbuk atau serpihan dari benda yang dikerjakan.

- Matikan perkakas listrik dan lepas steker dari stopkontak.
- Tunggu hingga mata gergaji benar-benar berhenti.
- Periksa penyebab tersumbatnya perkakas dan segera perbaiki.

Ekstraksi otomatis (lihat gambar C)

Gunakan kantong debu (46) (aksesori) untuk mengumpulkan serpihan dengan mudah.

- Pasang kantong debu (46) pada ejektor serbuk (37).
- Selama penggergajian, kantong debu sama sekali tidak boleh menyentuh bagian-bagian perkakas listrik yang bergerak. Kosongkan kantong debu tepat pada waktunya.

- ▶ **Periksa dan bersihkan kantong debu setelah setiap penggunaan.**
- ▶ **Untuk menghindari terjadinya kebakaran, lepaskan kantong debu jika melakukan penggergajian pada bahan aluminium.**

Pengisapan eksternal

Untuk pengisapan, sambungkan juga slang pengisap debu (diameter 35 mm) ke pembuangan serbuk (37).

Mesin pengisap debu harus sesuai dengan bahan yang dikerjakan.

Gunakan mesin pengisap khusus saat mengisap debu yang sangat berbahaya bagi kesehatan, pemicu kanker atau debu kering.

Mengganti mata gergaji (lihat gambar D1–D4)

- ▶ **Sebelum mulai dengan pekerjaan pada perkakas listrik, tariklah steker dari stopkontak.**
- ▶ **Kenakan sarung tangan pelindung saat memasang mata gergaji.** Terdapat risiko cedera jika menyentuh mata gergaji.

Hanya gunakan mata gergaji dengan kecepatan putaran maksimal yang diperbolehkan yang lebih tinggi daripada kecepatan putaran tanpa beban dari perkakas listrik.

Hanya gunakan mata gergaji yang sesuai dengan data-data yang tercantum di dalam petunjuk pengoperasian yang diberikan dan diuji menurut peraturan EN 847-1 serta diberi tanda yang sesuai.

Hanya gunakan mata gergaji yang dianjurkan oleh produsen perkakas listrik ini dan yang sesuai untuk mengerjakan bahan yang hendak dikerjakan. Hal ini bertujuan untuk menghindari pemanasan berlebih pada gigi gergaji pada saat menggergaji.

Melepaskan mata gergaji

- Atur perkakas listrik pada posisi pengoperasian.
- Gerakkan kap pelindung yang dapat bergerak (8) ke belakang dan tahan kap pelindung yang dapat bergerak pada posisi ini.
- Putar sekrup heksagonal (47) dengan kunci L (8 mm) (24) dan tekan pengunci spindel (33) secara bersamaan hingga terkunci.
- Tekan dan tahan pengunci spindel (33) dan putar keluar sekrup heksagonal (47) searah jarum jam (ulir kiri!).
- Lepas flensa penjepit (48).
- Lepas mata gergaji (49).
- Arahkan kembali kap pelindung yang dapat bergerak secara perlahan ke bawah.

Memasang mata gergaji

- Pada waktu memasang mata gergaji, perhatikan agar arah pemotongan gigi (arah panah pada mata gergaji) sesuai dengan arah panah pada kap pelindung!

Jika perlu, bersihkan dahulu semua komponen yang akan dipasang sebelum melakukan pemasangan.

- Gerakkan kap pelindung yang dapat bergerak (8) ke belakang dan tahan kap pelindung yang dapat bergerak pada posisi ini.
- Pasang mata gergaji baru pada flensa penjepit bagian dalam (50).
- Pasang flensa penjepit (48) dan sekrup segi enam (47). Tekan pengunci poros (33) hingga terkunci dan kencangkan sekrup segi enam berlawanan arah jarum jam.
- Arahkan kembali kap pelindung yang dapat bergerak secara perlahan ke bawah.

Penggunaan

- Sebelum mulai dengan pekerjaan pada perkakas listrik, tariklah steker dari stopkontak.

Kunci transpor (lihat gambar E)

Kunci transpor (25) memungkinkan perkakas listrik dapat ditangani dengan lebih mudah saat dipindahkan ke lokasi yang berbeda.

Melepaskan penguncian perkakas listrik (posisi pengoperasian)

- Tekan sedikit lengan perkakas pada gagang (5) ke bawah untuk meringankan kunci transpor (25).
- Tarik sepenuhnya kunci transpor (25) ke luar.
- Gerakkan lengan perkakas ke atas secara perlahan.

Mengunci perkakas listrik (posisi pengangkutan)

- Kendurkan sekrup pengunci (1) jika sekrup menjepit alat pemandu gerakan (2). Tarik sepenuhnya lengan perkakas ke depan dan tarik kembali sekrup pengunci untuk mengunci alat pemandu gerakan.
- Kencangkan sepenuhnya sekrup penyetel (23) ke atas.

- Kencangkan kenop penyetel (12) untuk mengunci meja potong (29).
- Gerakkan lengan perkakas pada gagang (5) sejauh mungkin ke bawah hingga kunci transpor (25) dapat ditekan sepenuhnya ke dalam.

Kini lengan perkakas terkunci dan perkakas listrik siap untuk diangkat.

Persiapan pemakaian

Untuk menjamin pemotongan yang tepat, penyetelan dasar perkakas listrik harus diperiksa setelah perkakas listrik digunakan secara intensif dan jika perlu lakukan pengaturan. Untuk melakukannya, diperlukan pengalaman dan perkakas khusus yang sesuai.

Pusat layanan pelanggan Bosch akan melakukan pekerjaan ini dengan cepat dan baik.

Memperpanjang/memperlebar meja potong (lihat gambar F–G)

Benda kerja yang panjang dan berat harus dialasi atau ditopang pada ujungnya.

Meja potong dapat diperpanjang ke kiri dan ke kanan menggunakan ekstensi meja potong (16).

- Lepaskan sekrup penjepit (42).
- Tarik ekstensi meja potong (16) ke luar hingga mencapai panjang yang diinginkan.
- Untuk mengencangkan ekstensi meja potong, kencangkan kembali sekrup penjepit (42).

Sistem pemasangan yang fleksibel pada penopang benda kerja (17) memungkinkan pengguna melakukan berbagai variasi ekstensi atau pelebaran.

- Pasang penopang benda kerja (17) ke dalam dudukan (44) pada perkakas listrik atau ke dalam dudukan (45) pada penopang benda kerja kedua sesuai dengan kebutuhan.

- Jangan pernah memegang penopang benda kerja untuk membawa perkakas listrik. Hanya gunakan peralatan untuk mengangkat saat mengangkat perkakas listrik.

Melepas rel pembatas (lihat gambar H)

Saat menggergaji sudut mitre vertikal, rel pembatas sisi kiri atau kanan yang dapat disesuaikan (19) harus dilepas.

- Lepaskan baut kupu-kupu (38).
- Lepaskan rel pembatas yang dapat disesuaikan (19).

Setelah memotong sudut mitre vertikal, masukkan kembali rel pembatas yang dapat disesuaikan (19) dan kencangkan sekrup kupu-kupu (38).

Mengencangkan benda kerja (lihat gambar I1–I3)

Untuk menjamin keamanan kerja yang optimal, selalu kencangkan benda kerja.

Jangan mengerjakan benda kerja yang terlalu kecil untuk dikencangkan.

Mengencangkan secara vertikal

- Tekan benda kerja dalam-dalam ke rel pembatas (18) dan (19).

- Pasang klem sekrup **(20)** yang disediakan pada salah satu lubang **(39)** yang tersedia.
- Kendurkan baut kupu-kupu **(51)** dan sesuaikan klem sekrup dengan benda kerja. Kencangkan kembali baut kupu-kupu.
- Kencangkan batang berulir **(52)** dengan kuat dan kencangkan benda kerja.

Mengencangkan secara horizontal

- Kendurkan baut kupu-kupu **(53)** dan lepaskan penjepit sekrup.
- Pasang penjepit sekrup yang telah "dilepas" **(20)** dengan kerucut **(54)** ke dalam lubang **(28)** yang disediakan.
- Tekan benda kerja dengan kuat pada meja potong **(29)**.
- Kencangkan batang berulir **(52)** dengan kuat dan kencangkan benda kerja.

Melepaskan benda kerja

- Untuk mengendurkan klem, putar batang berulir **(52)** berlawanan arah jarum jam.

Mengatur sudut mitre horizontal

- Atur perkakas listrik pada posisi pengoperasian.

Mengatur sudut potong horizontal standar (lihat gambar J)

Untuk mengatur sudut potong horizontal yang sering digunakan secara cepat dan tepat, terdapat alur pada meja potong **(15)**:

kiri	kanan
	0°
$45^\circ; 22,5^\circ; 15^\circ$	$15^\circ; 22,5^\circ; 45^\circ$

- Kendurkan kenop pengunci **(12)** jika kenop dikencangkan.
- Tekan tombol pengunci **(11)** ke bawah dan putar meja potong **(29)** pada kenop pengunci ke kiri atau kanan hingga indikator sudut **(14)** menampilkan sudut mitre horizontal standar yang diinginkan.
- Lepaskan kembali tombol pengunci **(11)**. Meja potong harus benar-benar terkunci ke dalam alur.
- Kencangkan kembali kenop pengunci **(12)**.

Mengatur sudut potong horizontal lainnya

Sudut mitre horizontal dapat diatur dalam rentang sudut 47° (sisi kiri) hingga 52° (sisi kanan).

- Kendurkan kenop pengunci **(12)** jika kenop dikencangkan.
- Tekan tombol pengunci **(11)** ke bawah dan putar meja potong **(29)** pada kenop pengunci ke kiri atau kanan hingga indikator sudut **(14)** menampilkan sudut mitre horizontal yang diinginkan.
- Lepaskan kembali tombol pengunci **(11)**.
- Kencangkan kembali kenop pengunci **(12)**.

Mengatur sudut mitre vertikal

Sudut mitre vertikal dapat diatur dalam rentang sudut 45° (sisi kiri) hingga 45° (sisi kanan).

Untuk pengaturan sudut mitre vertikal yang sering digunakan secara cepat dan tepat, tersedia pembatas untuk sudut 0° , $22,5^\circ$, $33,9^\circ$ dan 45° .

Mengatur rentang sudut mitre vertikal sisi kiri

- Lepaskan rel pembatas sisi kiri yang dapat disesuaikan **(19)**.
- Putar pembatas sisi kiri **(41)**, hingga sudut mitre vertikal standar 45° terkunci pada tanda panah. Dengan begitu, seluruh rentang putar sisi kiri akan tersedia.
- Tarik tombol pengunci **(13)** ke atas.
- Gerakkan lengan perkakas pada gagang **(5)** ke kiri hingga indikator sudut menampilkan sudut mitre vertikal yang diinginkan.
- Tahan lengan perkakas pada posisi ini dan tekan kembali tombol pengunci **(13)** ke bawah.

Mengatur rentang sudut mitre vertikal sisi kanan

- Lepaskan rel pembatas sisi kanan yang dapat disesuaikan **(19)**.
- Putar pembatas sisi kanan **(41)** hingga sudut mitre vertikal standar 45° terkunci pada tanda panah. Dengan begitu, seluruh rentang putar sisi kanan akan tersedia.
- Tarik tombol pengunci **(13)** ke atas.
- Putar kenop pengaturan **(21)** sedikit ke kiri dan gerakkan lengan perkakas pada gagang **(5)** ke kanan hingga indikator sudut menampilkan sudut mitre vertikal yang diinginkan.
- Tahan lengan perkakas pada posisi ini dan tekan kembali tombol pengunci **(13)** ke bawah.

Mengatur sudut mitre standar vertikal (lihat gambar K)

- Lepaskan rel pembatas sisi kanan/kiri yang dapat disesuaikan **(19)**.
- Tarik tombol pengunci **(13)** ke atas.

Sudut mitre standar 0° :

- Putar kenop pengaturan **(21)** sedikit ke kiri dan gerakkan lengan perkakas dari kanan ke posisi 0° hingga terdengar mengunci di posisi 0° .

- Tekan kembali tombol pengunci **(13)** ke bawah.

Sudut mitre standar 45° , $33,9^\circ$ dan $22,5^\circ$:

- Putar pembatas kiri atau kanan **(41)** hingga sudut mitre vertikal standar yang diinginkan terkunci pada tanda panah.
- Gerakkan lengan perkakas ke kiri hingga maksimal.
atau
Putar kenop pengaturan **(21)** sedikit ke kiri dan gerakkan lengan perkakas pada gagang **(5)** ke kanan hingga maksimal.
- Tekan kembali tombol pengunci **(13)** ke bawah.

Pengoperasian pertama kali

- **Perhatikan tegangan jaringan listrik!** Tegangan jaringan listrik harus sesuai dengan tegangan listrik yang tercantum pada label tipe perkakas listrik.

► **Sebelum menggergaji, kencangkan kenop pengunci (12) dan tekan tombol pengunci (13) ke bawah.**

Dengan demikian, mata gergaji tidak tersangkut pada benda kerja.

Menghidupkan (lihat gambar L)

- Untuk **mengoperasikan** perkakas listrik pertama kalinya, tekan **terlebih dulu** kunci pengaman (6). **Kemudian**, tekan sepenuhnya dan tahan tombol untuk menghidupkan dan mematikan (35).

Catatan: Demi alasan keamanan, switch on/off (35) tidak bisa dikunci, melainkan tombol harus selalu ditekan selama perkakas digunakan.

Mematikan perkakas listrik

- Untuk **mematikan** perkakas listrik, lepaskan tombol untuk menghidupkan dan mematikan (35).

Menggergaji

Petunjuk umum untuk menggergaji

► **Sebelum menggergaji, kencangkan kenop pengunci (12) dan tekan tombol pengunci (13) ke bawah.**

Dengan demikian, mata gergaji tidak tersangkut pada benda kerja.

► **Sebelum mulai menggunakan perkakas listrik, periksalah mata gergaji agar tidak menyentuh rel pembatas, klem atau bagian yang lain dari perkakas. Jika perlu, lepaskan semua mistar pembantu yang dipasang atau sesuaikan pembatasnya.**

Lindungilah mata gergaji terhadap benturan dan tumbukan. Jangan menekan mata gergaji dari samping.

Hanya potong bahan yang disetujui sesuai ketentuan penggunaan.

Jangan mengerjakan benda yang bengkok. Benda kerja harus selalu mempunyai tepi yang lurus untuk dirapatkan pada rel pembatas.

Benda kerja yang panjang dan berat harus dialasi atau ditopang pada ujungnya.

Pastikan agar kap pelindung yang dapat bergerak dapat berfungsi dengan baik dan bergerak secara bebas. Kap pelindung yang dapat bergerak harus dalam keadaan terbuka saat menggerakkan lengan perkakas ke bawah. Kap pelindung yang dapat bergerak harus tertutup kembali di atas mata gergaji dan terkunci pada posisi teratas lengan perkakas saat menggerakkan lengan perkakas ke atas.

Posisi pengguna perkakas listrik (lihat gambar M)

► **Jangan berdiri langsung dalam satu garis dengan perkakas listrik dan mata gergaji, melainkan selalu di samping mata gergaji.** Dengan demikian tubuh Anda akan terlindungi jika terjadi bantingan.

- Jauhkan tangan, jari dan lengan dari mata gergaji yang berputar.
- Jangan menyilangkan tangan Anda di depan lengan perkakas.

Menggergaji dengan penarikan

- Untuk potongan dengan bantuan alat pemandu gerakan (2) (benda kerja lebar), kendurkan sekrup pengencang (1) jika sekrup dikencangkan.
- Sudut potong horizontal dan/atau vertikal yang diinginkan dapat disetel sesuai kebutuhan.
- Tekan benda kerja dengan kuat pada rel penghenti (18) dan (19).
- Kencangkan benda kerja sesuai dengan ukurannya.
- Tarik lengan perkakas dari rel pembatas (18) sejauh mungkin hingga mata gergaji berada di depan benda kerja.
- Nyalakan perkakas listrik.
- Gerakkan lengan perkakas dengan gagang (5) ke bawah secara perlahan.
- Tekan lengan perkakas ke arah rel penghenti (18) dan (19) kemudian gergaji benda kerja dengan dorongan yang merata.
- Matikan perkakas listrik dan tunggu hingga mata gergaji benar-benar berhenti.
- Gerakkan lengan perkakas ke atas secara perlahan.

Menggergaji tanpa penarikan (menggergaji vertikal) (lihat gambar N)

- Untuk potongan tanpa penarikan (benda kerja yang berukuran kecil), kendurkan sekrup pengencang (1) jika sekrup dikencangkan. Geser lengan perkakas ke arah rel pembatas (18) hingga maksimal lalu kencangkan kembali sekrup pengencang (1).
- Sudut potong horizontal dan/atau vertikal yang diinginkan dapat disetel sesuai kebutuhan.
- Tekan benda kerja dengan kuat pada rel penghenti (18) dan (19).
- Kencangkan benda kerja sesuai dengan ukurannya.
- Nyalakan perkakas listrik.
- Gerakkan lengan perkakas dengan gagang (5) ke bawah secara perlahan.
- Gergaji benda kerja dengan dorongan yang merata.
- Matikan perkakas listrik dan tunggu hingga mata gergaji benar-benar berhenti.
- Gerakkan lengan perkakas ke atas secara perlahan.

Petunjuk pengoperasian

Menandai garis pemotongan (lihat gambar O)

Satu sinar laser menunjukkan garis pemotongan mata gergaji. Dengan demikian, benda kerja dapat ditempatkan secara tepat untuk digergaji tanpa harus membuka kap pelindung yang dapat digeser.

- Aktifkan sinar laser dengan tombol (36).
- Arahkan tanda pada benda kerja di tengah garis laser.

Catatan: Sebelum menggergaji, periksa apakah garis potong masih ditampilkan dengan benar. Penyetelan sinar laser dapat berubah, misalnya akibat getaran saat menggunakan perkakas secara intensif.

Ukuran benda kerja yang diperbolehkanDimensi benda kerja **maksimal**:

Sudut mitre horizontal	Sudut mitre vertikal	Tinggi x lebar [mm]
0°	0°	90 x 310
45°	0°	90 x 210
0°	45° (kiri)	45 x 310
45°	45° (kiri)	45 x 210
0°	45° (kanan)	35 x 310
45°	45° (kanan)	35 x 210

Ukuran benda kerja minimal (= semua benda kerja yang dapat dijepit dengan klem sekrup **(20)** yang disediakan di sisi kiri atau kanan mata gergaji): 130 x 50 mm (panjang x lebar)

Kedalaman pemotongan maksimal (0°/0°): 90 mm

Memotong benda kerja sama panjang (lihat gambar P)

Untuk menggergaji benda kerja sama panjang dengan mudah, mistar pembatas **(26)** dapat digunakan.

- Kendurkan sekrup penjepit **(57)** dan geser mistar pembatas **(26)** pada rel pemandu **(58)** ke panjang benda kerja yang diinginkan.
- Kencangkan kembali sekrup penjepit **(57)**.

Benda kerja yang lebih panjang:

- Kendurkan baut kupu-kupu **(59)** dan tarik rel pemandu **(58)** ke luar hingga maksimal.
- Kencangkan kembali baut kupu-kupu **(59)**.
- Atur mistar pembatas **(26)** pada panjang benda kerja yang diinginkan.

Menggergaji tanpa mistar pembatas:

- Kendurkan sekrup penjepit **(57)** dan geser mistar pembatas **(26)** pada rel pemandu **(58)** ke luar sepenuhnya.
- Putar mistar pembatas sebesar 90° sehingga mistar sejajar dengan rel pembatas **(18)**.
- Kencangkan kembali sekrup penjepit **(57)**.

Menyetel pembatas kedalaman (membuat alur) (lihat gambar Q)

Jika hendak membuat alur, pembatas kedalaman harus disetel.

- Gerakkan pembatas kedalaman **(22)** ke luar.
- Gerakkan lengan perkakas pada gagang **(5)** ke posisi yang diinginkan.
- Putar sekrup penyetel **(23)** hingga ujung sekrup menyentuh pembatas kedalaman **(22)**.
- Gerakkan lengan perkakas secara perlahan ke atas.

Benda kerja khusus

Saat menggergaji benda kerja dengan bentuk melengkung atau bulat, benda kerja tersebut harus dipegang dengan alat agar tidak tergeser. Pada jalur potong tidak boleh ada celah antara benda kerja, rel pembatas dan meja potong.

Jika perlu harus dibuat penahan khusus.

Mengganti pelat sisipan (lihat gambar R)

Pelat sisipan **(10)** dapat menjadi aus setelah perkakas listrik digunakan pada waktu yang lama.

Gantilah pelat sisipan yang rusak.

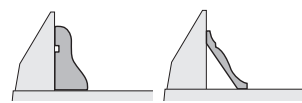
- Atur perkakas listrik pada posisi pengoperasian.
- Lepaskan sekrup **(60)** menggunakan obeng kembang standar dan lepaskan pelat sisipan yang lama **(10)**.
- Pasang pelat sisipan yang baru dan kencangkan kembali sekrup **(60)**.

Mengerjakan lis profil

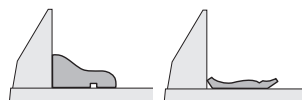
Lis profil dapat dikerjakan dengan dua cara yang berbeda:

Pengaturan posisi benda kerja	Lis lantai	Lis langit-langit
-------------------------------	------------	-------------------

- Diletakkan berdiri pada rel pembatas,



- Diletakkan mendatar pada meja potong



Selain itu, pemotongan dapat dilakukan dengan atau tanpa gerakan penarikan tergantung pada lis profil.

Selalu lakukan uji coba sudut potong yang telah diatur (horizontal dan/atau vertikal) terlebih dulu pada kayu sisa.

Menyesuaikan laser

Catatan: Untuk melakukan uji fungsi laser, perkakas listrik harus disambungkan pada suplai daya.

- ▶ **Jangan pernah menekan tombol on/off selama melakukan penyesuaian laser (misalnya saat menggerakkan lengan perkakas).** Terdapat risiko cedera jika perkakas listrik dihidupkan tanpa disengaja.
- Posisikan perkakas listrik pada posisi pengoperasian.
- Putar meja potong **(29)** hingga ke alur yang diinginkan **(15)** pada sudut 0°. Tuas harus benar-benar terkunci ke dalam alur.

Setelah menggunakan perkakas listrik secara intensif, sinar laser harus diperiksa dan jika perlu diatur ulang untuk menjamin pemotongan yang tepat.

Untuk melakukannya, diperlukan pengalaman dan alat khusus yang sesuai.

Pusat layanan pelanggan Bosch akan menangani pekerjaan ini dengan cepat dan baik.

Memeriksa (lihat gambar S1)

- Gambar satu garis pemotongan lurus pada benda kerja.
- Gerakkan lengan perkakas dengan gagang **(5)** ke bawah secara perlahan.
- Arahkan benda kerja sedemikian rupa sehingga gigi mata gergaji sejajar dengan garis pemotongan.
- Kencangkan benda kerja pada posisi ini dan arahkan lengan perkakas ke atas secara perlahan.
- Kencangkan benda kerja.

- Aktifkan sinar laser dengan tombol **(36)**. Sinar laser harus rata terhadap sepanjang garis pemotongan pada benda kerja, juga jika lengan perkakas diturunkan.

Mengatur (lihat gambar S2)

- Putar sekrup penyetel **(61)** dengan obeng yang sesuai hingga sepanjang sinar laser rata dengan garis pemotongan benda kerja.

Satu putaran berlawanan arah jarum jam menggerakkan sinar laser dari kiri ke kanan, satu putaran searah jarum jam menggerakkan sinar laser dari kanan ke kiri.

Memeriksa dan mengatur pengaturan awal

Untuk menjamin pemotongan yang tepat, penyetelan dasar perkakas listrik harus diperiksa setelah perkakas listrik digunakan secara intensif dan jika perlu lakukan pengaturan. Untuk melakukannya, diperlukan pengalaman dan perkakas khusus yang sesuai.

Pusat layanan pelanggan Bosch akan melakukan pekerjaan ini dengan cepat dan baik.

Mengatur sudut potong vertikal standar 0°

- Atur perkakas listrik pada posisi pengoperasian.
- Putar meja potong **(29)** hingga mencapai alur **(15)** untuk sudut 0°. Tuas harus benar-benar terkunci pada alur.
- Tarik tombol pengunci **(13)** ke atas.
- Putar kenop pengaturan **(21)** sedikit ke kiri dan gerakkan lengan perkakas dari kanan ke posisi 0° hingga terdengar mengunci di posisi 0°.
- Tekan kembali tombol pengunci **(13)** ke bawah.

Memeriksa (lihat gambar T1)

- Atur mistar segitiga pengukur sudut **(62)** pada sudut 90° sejajar dengan mata gergaji **(49)** antara meja potong **(29)** dan mata gergaji di atas meja potong **(29)**.

Kaki mistar segitiga pengukur sudut harus sejajar dengan mata gergaji **(49)** pada panjang keseluruhannya.

Mengatur (lihat gambar T2)

- Kendurkan mur pengunci sekrup pembatas **(63)** dengan kunci ring standar atau kunci pas.
- Putar sekrup pembatas **(63)** ke dalam atau ke luar semaksimal mungkin hingga kaki mistar segitiga pengukur sudut **(62)** sejajar dengan mata gergaji pada panjang keseluruhannya.
- Tekan kembali tombol pengunci **(13)** ke bawah.
- Lalu kencangkan kembali mur pengunci sekrup pembatas **(63)**.

Jika setelah pengaturan, indikator sudut **(55)** tidak sejajar dengan tanda 0° pada skala **(56)**, kendurkan sekrup **(65)** dengan obeng kembang standar dan arahkan indikator sudut di sepanjang tanda 0° (lihat gambar W).

Mengatur sudut mitre vertikal standar 45° (kanan)

- Atur perkakas listrik pada posisi pengoperasian.
- Putar meja potong **(29)** hingga mencapai alur **(15)** untuk sudut 0°. Tuas harus benar-benar terkunci pada alur.
- Lepaskan rel pembatas sisi kanan yang dapat disesuaikan **(19)**.

- Putar pembatas sisi kanan **(41)** hingga sudut mitre standar 45° terkunci pada tanda panah.
- Tarik tombol pengunci **(13)** ke atas.
- Putar kenop pengaturan **(21)** ke kiri dan gerakkan lengan perkakas pada gagang **(5)** ke kanan hingga maksimal.

Memeriksa (lihat gambar U1)

- Atur mistar segitiga pengukur sudut **(62)** dengan sudut 45° sejajar dengan mata gergaji **(49)** antara meja potong **(29)** dan mata gergaji kanan pada meja potong.

Kaki mistar segitiga pengukur sudut harus sejajar dengan mata gergaji **(49)** pada panjang keseluruhannya.

Mengatur (lihat gambar U2)

- Kendurkan mur pengunci sekrup pembatas **(40)** dengan kunci ring standar atau kunci pas.
- Putar sekrup pembatas **(40)** ke dalam atau ke luar semaksimal mungkin hingga kaki mistar segitiga pengukur sudut **(62)** sejajar dengan mata gergaji pada panjang keseluruhannya.
- Tekan kembali tombol pengunci **(13)** ke bawah.
- Lalu kencangkan kembali mur pengunci sekrup pembatas **(40)**.

Jika setelah pengaturan, indikator sudut **(55)** tidak sejajar dengan tanda 45° pada skala **(56)**, pastikan dulu sekali lagi pengaturan 0° untuk sudut mitre vertikal dan indikator sudut. Kemudian ulangi pengaturan sudut mitre vertikal 45°.

Mengarahkan rel pembatas

- Posisikan perkakas listrik pada posisi pengangkutan.
- Kendurkan kenop pengunci **(12)** jika kenop dikencangkan.
- Tekan tombol pengunci **(11)** ke bawah dan putar meja potong **(29)** hingga mencapai alur **(15)** untuk 0°.
- Lepaskan kembali tombol pengunci **(11)**. Meja potong harus benar-benar terkunci ke dalam alur.
- Lepaskan rel pembatas yang dapat disesuaikan **(19)**.

Memeriksa (lihat gambar V1)

- Atur mistar segitiga pengukur sudut **(62)** pada sudut 90° sejajar dengan mata gergaji **(49)** antara rel pembatas **(18)** dan mata gergaji di atas meja potong **(29)**.

Kaki mistar segitiga pengukur sudut harus sejajar dengan rel pembatas pada panjang keseluruhannya.

Mengatur (lihat gambar V2)

- Kendurkan semua sekrup heksagon **(64)** menggunakan kunci L **(24)** yang disertakan.
- Putar rel pembatas **(18)** semaksimal mungkin hingga mistar segitiga pengukur sudut berada sejajar dengan panjang keseluruhannya.
- Kencangkan kembali sekrup.

Menyejajarkan indikator sudut (vertikal) (lihat gambar W)

- Tarik tombol pengunci **(13)** ke atas.
- Putar kenop pengaturan **(21)** sedikit ke kiri dan gerakkan lengan perkakas dari kanan ke posisi 0° hingga terdengar mengunci di posisi 0°.
- Tekan kembali tombol pengunci **(13)** ke bawah.

Memeriksa

Indikator sudut **(55)** harus berada segaris dengan tanda 0° pada skala **(56)**.

Mengatur

- Kendurkan sekrup **(65)** dengan obeng kembang dan arahkan indikator sudut di sepanjang tanda 0°.
- Kencangkan kembali sekrup.

Menyejajarkan indikator sudut (horizontal) (lihat gambar X)

- Posisikan perkakas listrik pada posisi pengoperasian.
- Putar meja potong **(29)** hingga ke alur **(15)** untuk 0°. Tuas harus benar-benar terkunci pada alur.

Memeriksa

Indikator sudut **(14)** harus satu garis dengan tanda 0° pada skala **(30)**.

Mengatur

- Kendurkan sekrup **(66)** dengan obeng kembang dan arahkan indikator sudut sepanjang tanda 0°.
- Kencangkan kembali baut.

Mengangkut perkakas listrik (lihat gambar Y)

Sebelum mengangkut perkakas listrik, lakukan langkah-langkah berikut:

- Kendurkan sekrup pengencang **(1)** jika sekrup terpasang kuat. Tarik sepenuhnya lengan perkakas ke depan dan kencangkan kembali sekrup pengencang.
- Pastikan pembatas kedalaman **(22)** dimasukkan ke dalam sepenuhnya dan sekrup penyatel **(23)** telah sesuai untuk melalui alur saat menggerakkan lengan perkakas tanpa menyentuh pembatas kedalaman.
- Posisikan perkakas listrik pada posisi pengangkutan.
- Lepas semua komponen aksesoris yang tidak dapat dipasang dengan kencang pada perkakas listrik. Selama pengangkutan, mata gergaji yang tidak digunakan sebaiknya disimpan di dalam tempat tertutup.
- Angkut perkakas listrik dengan gagang untuk mengangkat perkakas **(4)** atau genggam perkakas pada lekukan untuk menggenggam **(27)** di sisi samping pada meja potong.

- ▶ **Hanya gunakan peralatan untuk mengangkat dan jangan pernah menggunakan perangkat pelindung atau penopang benda kerja saat mengangkat perkakas listrik.**

Perawatan dan servis**Perawatan dan pembersihan**

- ▶ **Sebelum mulai dengan pekerjaan pada perkakas listrik, tariklah steker dari stopkontak.**
- ▶ **Perkakas listrik dan lubang ventilasi harus selalu dibersihkan agar perkakas dapat digunakan dengan baik dan aman.**

Jika kabel listrik harus diganti, pekerjaan ini harus dilakukan oleh **Bosch** atau Service Center untuk perkakas listrik **Bosch** resmi agar keselamatan kerja selalu terjamin.

Kap pelindung yang dapat bergerak harus dapat bergerak secara bebas dan menutup sendiri. Karena itu, jaga kebersihan area di sekitar kap pelindung yang dapat bergerak.

Setelah setiap penggunaan, bersihkan perkakas listrik dari debu dan serbuk dengan cara ditiup dengan udara bertekanan atau dengan kuas.

Bersihkan rol peluncur **(32)** secara berkala.

Tindakan untuk mengurangi kebisingan

Tindakan oleh produsen:

- Awalan start yang perlahan
- Perkakas listrik dipasok dengan mata gergaji yang dirancang khusus untuk mengurangi kebisingan

Tindakan oleh pengguna perkakas:

- Pasang perkakas listrik pada bidang kerja yang stabil sehingga vibrasi berkurang
- Gunakan mata gergaji dengan fungsi mengurangi kebisingan
- Bersihkan mata gergaji dan perkakas listrik secara berkala

Layanan pelanggan dan konsultasi penggunaan

Layanan pelanggan Bosch menjawab semua pertanyaan Anda tentang reparasi dan perawatan serta tentang suku cadang produk ini. Gambaran teknis (exploded view) dan informasi mengenai suku cadang dapat ditemukan di:

www.bosch-pt.com

Tim konsultasi penggunaan Bosch akan membantu Anda menjawab pertanyaan seputar produk kami beserta aksesorinya.

Jika Anda hendak menanyakan sesuatu atau memesan suku cadang, selalu sebutkan nomor model yang terdiri dari 10 angka dan tercantum pada label tipe produk.

Indonesia

PT Robert Bosch Indonesia
 Arkadia Green Park Tower G – 7th floor
 Jl. Let. Jend. TB. Simatupang Kav.88
 Jakarta 12520
 Tel.: (021) 3005 5800
 Fax: (021) 3005 5801
 E-Mail: boschpowertools@id.bosch.com
 www.bosch-pt.co.id

Alamat layanan lainnya dapat ditemukan di:

www.bosch-pt.com/serviceaddresses

Cara membuang

Perkakas listrik, aksesoris, dan kemasan sebaiknya didaur ulang secara ramah lingkungan.

Jangan membuang perkakas listrik ke dalam tempat sampah rumah tangga!



Tiếng Việt

Hướng dẫn an toàn

Cảnh báo Tổng quát Cách sử dụng An toàn Dụng cụ điện Cầm tay

⚠ CẢNH BÁO Hãy đọc toàn bộ các cảnh báo an toàn, hướng dẫn, hình ảnh và thông số kỹ thuật được cung cấp cho dụng cụ điện cầm tay này. Không tuân thủ mọi hướng dẫn được liệt kê dưới đây có thể bị điện giật, gây cháy và /hay bị thương tật nghiêm trọng. **Hãy giữ tất cả tài liệu về cảnh báo và hướng dẫn để tham khảo về sau.**

Thuật ngữ "dụng cụ điện cầm tay" trong phần cảnh báo là để cập đến sự sử dụng dụng cụ điện cầm tay của bạn, loại sử dụng điện nguồn (có dây cắm điện) hay vận hành bằng pin (không dây cắm điện).

Khu vực làm việc an toàn

- ▶ **Giữ nơi làm việc sạch và đủ ánh sáng.** Nơi làm việc bừa bộn và tối tăm dễ gây ra tai nạn.
- ▶ **Không vận hành dụng cụ điện cầm tay trong môi trường dễ gây nổ, chẳng hạn như nơi có chất lỏng dễ cháy, khí đốt hay rác.** Dụng cụ điện cầm tay tạo ra các tia lửa nên có thể làm rác bén cháy hay bốc khói.
- ▶ **Không để trẻ em hay người đến xem đứng gần khi vận hành dụng cụ điện cầm tay.** Sự phân tâm có thể gây ra sự mất điều khiển.

An toàn về điện

- ▶ **Phích cắm của dụng cụ điện cầm tay phải thích hợp với ổ cắm.** Không bao giờ được cải biến lại phích cắm dưới mọi hình thức. Không được sử dụng phích tiếp hợp nối tiếp đất (dây mát). Phích cắm nguyên bản và ổ cắm đúng loại sẽ làm giảm nguy cơ bị điện giật.
- ▶ **Tránh không để thân thể tiếp xúc với đất hay các vật có bề mặt tiếp đất như đường ống, lò sưởi, hàng rào và tủ lạnh.** Có nhiều nguy cơ bị điện giật hơn nếu cơ thể bạn bị tiếp hay nối đất.
- ▶ **Không được để dụng cụ điện cầm tay ngoài mưa hay ở tình trạng ẩm ướt.** Nước vào máy sẽ làm tăng nguy cơ bị điện giật.
- ▶ **Không được lạm dụng dây dẫn điện.** Không bao giờ được nắm dây dẫn để xách, kéo hay rút phích cắm dụng cụ điện cầm tay. Không để dây gần nơi có nhiệt độ cao, dầu nhớt, vật nhọn bén và bộ phận chuyển động. Làm hỏng hay cuộn rối dây dẫn làm tăng nguy cơ bị điện giật.
- ▶ **Khi sử dụng dụng cụ điện cầm tay ngoài trời, dùng dây nối thích hợp cho việc sử dụng ngoài trời.** Sử dụng dây nối thích hợp cho việc sử dụng ngoài trời làm giảm nguy cơ bị điện giật.

- ▶ **Nếu việc sử dụng dụng cụ điện cầm tay ở nơi ẩm ướt là không thể tránh được, dùng thiết bị ngắt mạch tự động (RCD) bảo vệ nguồn.** Sử dụng thiết bị ngắt mạch tự động RCD làm giảm nguy cơ bị điện giật.

An toàn cá nhân

- ▶ **Hãy tỉnh táo, biết rõ mình đang làm gì và hãy sử dụng ý thức khi vận hành dụng cụ điện cầm tay.** Không sử dụng dụng cụ điện cầm tay khi đang mệt mỏi hay đang bị tác động do chất gây nghiện, rượu hay được phẫn gây ra. Một thoáng mất tập trung khi đang vận hành dụng cụ điện cầm tay có thể gây thương tích nghiêm trọng cho bản thân.
 - ▶ **Sử dụng trang bị bảo hộ cá nhân.** Luôn luôn đeo kính bảo vệ mắt. Trang bị bảo hộ như khẩu trang, giày chống trượt, nón bảo hộ, hay dụng cụ bảo vệ tai khi được sử dụng đúng nơi đúng chỗ sẽ làm giảm nguy cơ thương tật cho bản thân.
 - ▶ **Phòng tránh máy khởi động bất ngờ.** Bảo đảm công tắc máy ở vị trí tắt trước khi cắm vào nguồn điện và/hay lắp pin vào, khi nhắc máy lên hay khi mang xách máy. Ngáng ngón tay vào công tắc máy để xách hay kích hoạt dụng cụ điện cầm tay khi công tắc ở vị trí mở dễ dẫn đến tai nạn.
 - ▶ **Lấy mọi chìa hay khóa điều chỉnh ra trước khi mở điện dụng cụ điện cầm tay.** Khóa hay chìa còn gắn dính vào bộ phận quay của dụng cụ điện cầm tay có thể gây thương tích cho bản thân.
 - ▶ **Không rướn người.** Luôn luôn giữ tư thế đứng thích hợp và thẳng bằng. Điều này tạo cho việc điều khiển dụng cụ điện cầm tay tốt hơn trong mọi tình huống bất ngờ.
 - ▶ **Trang phục thích hợp.** Không mặc quần áo rộng lụng thụng hay mang trang sức. Giữ tóc và quần áo xa khỏi các bộ phận chuyển động. Quần áo rộng lụng thụng, đồ trang sức hay tóc dài có thể bị cuốn vào các bộ phận chuyển động.
 - ▶ **Nếu có các thiết bị đi kèm để nối máy hút bụi và các phụ kiện khác, bảo đảm các thiết bị này được nối và sử dụng tốt.** Việc sử dụng các thiết bị gom hút bụi có thể làm giảm các độc hại liên quan đến bụi gây ra.
 - ▶ **Không để thói quen do sử dụng thường xuyên dụng cụ khiến bạn trở nên chủ quan và bỏ qua các quy định an toàn dụng cụ.** Một hành vi bất cẩn có thể gây ra thương tích nghiêm trọng chỉ trong tích tắc.
- Sử dụng và bảo dưỡng dụng cụ điện cầm tay**
- ▶ **Không được ép máy.** Sử dụng dụng cụ điện cầm tay đúng loại theo đúng ứng dụng của bạn. Dụng cụ điện cầm tay đúng chức năng sẽ

làm việc tốt và an toàn hơn theo đúng tiến độ mà máy được thiết kế.

- ▶ **Không sử dụng dụng cụ điện cầm tay nếu như công tắc không tắt và mở được.** Bất kỳ dụng cụ điện cầm tay nào mà không thể điều khiển được bằng công tắc là nguy hiểm và phải được sửa chữa.
- ▶ **Rút phích cắm ra khỏi nguồn điện và/hay pin ra khỏi dụng cụ điện cầm tay nếu có thể tháo được, trước khi tiến hành bất kỳ điều chỉnh nào, thay phụ kiện, hay cất dụng cụ điện cầm tay.** Các biện pháp ngăn ngừa như vậy làm giảm nguy cơ dụng cụ điện cầm tay khởi động bất ngờ.
- ▶ **Cất giữ dụng cụ điện cầm tay không dùng tới nơi trẻ em không lấy được và không cho người chưa từng biết dụng cụ điện cầm tay hay các hướng dẫn này sử dụng dụng cụ điện cầm tay.** Dụng cụ điện cầm tay nguy hiểm khi ở trong tay người chưa được chỉ cách sử dụng.
- ▶ **Bảo quản dụng cụ điện cầm tay và các phụ kiện.** Kiểm tra xem các bộ phận chuyển động có bị sai lệch hay kẹt, các bộ phận bị rạn nứt và các tình trạng khác có thể ảnh hưởng đến sự vận hành của máy. Nếu bị hư hỏng, phải sửa chữa máy trước khi sử dụng. Nhiều tai nạn xảy ra do bảo quản dụng cụ điện cầm tay tồi.
- ▶ **Giữ các dụng cụ cắt bén và sạch.** Bảo quản đúng cách các dụng cụ cắt có cạnh cắt bên làm giảm khả năng bị kẹt và dễ điều khiển hơn.
- ▶ **Sử dụng dụng cụ điện cầm tay, phụ kiện, đầu cài v. v., đúng theo các chỉ dẫn này, hãy lưu ý đến điều kiện làm việc và công việc phải thực hiện.** Sự sử dụng dụng cụ điện cầm tay khác với mục đích thiết kế có thể tạo nên tình huống nguy hiểm.
- ▶ **Giữ tay cầm và bề mặt nắm luôn khô ráo, sạch sẽ và không dính dầu mỡ.** Tay cầm và bề mặt nắm trơn trượt không đem lại thao tác an toàn và kiểm soát dụng cụ trong các tình huống bất ngờ.

Bảo dưỡng

- ▶ **Đưa dụng cụ điện cầm tay của bạn đến thợ chuyên môn để bảo dưỡng, chỉ sử dụng phụ tùng đúng chủng loại để thay.** Điều này sẽ đảm bảo sự an toàn của máy được giữ nguyên.

Cảnh báo an toàn cho cửa kiểu cung

- ▶ **Các cửa kiểu cung được dùng để cắt gỗ hoặc các sản phẩm giống gỗ, không thể dùng các cửa này với các bánh mài cắt đứt để cắt các vật liệu dạng thanh, đòn, chốt.** Bụi mài mòn khiến các bộ phận chuyển động ví dụ như tấm chắn bảo vệ phía dưới bị kẹt. Các tia lửa từ quá trình mài cắt đứt sẽ đốt cháy tấm chắn bảo vệ

bên dưới, lớp chèn rãnh khoét và các bộ phận bằng nhựa khác.

- ▶ **Sử dụng kẹp để đỡ phôi gia công bất cứ khi nào có thể. Nếu đỡ phôi gia công bằng tay, phải luôn giữ tay cách xa một trong hai phía của lưỡi cưa ít nhất là 100 mm. Không sử dụng cửa này để cắt các chi tiết quá nhỏ khó kẹp chặt hoặc khó giữ chặt bằng tay.** Nếu tay của bạn đặt quá gần lưỡi cưa, sẽ có nguy cơ bị thương do chạm vào lưỡi cưa.
- ▶ **Phôi gia công phải tĩnh và được kẹp chặt hoặc giữ chặt vào cả tấm chắn và bàn.** Không cho phôi gia công vào lưỡi hoặc cắt bằng tay trần dưới bất kỳ hình thức nào. Các phôi gia công động hoặc không được kim giữ có thể bắn với tốc độ cao, gây ra thương tích.
- ▶ **Đẩy cưa xuyên qua phôi gia công.** Không kéo cưa xuyên qua phôi gia công. Để cắt, hãy nâng cao đầu cưa và kéo nó qua phía trên phôi gia công mà không cắt, khởi động mô tơ, nhấn đầu cưa xuống và đẩy cưa xuyên qua phôi gia công. Việc cắt theo hành trình đi lên có thể khiến lưỡi cưa đi lên phần đỉnh của phôi gia công và làm văng mạnh cụm lưỡi cưa vào người vận hành.
- ▶ **Không được đặt tay ngang qua đường sắp cắt ở phía trước hoặc phía sau lưỡi cưa.** Việc đỡ phôi gia công bằng "hai tay chéo nhau" ví dụ như giữ phôi gia công ở bên phải của lưỡi cưa bằng tay trái và ngược lại sẽ rất nguy hiểm.
- ▶ **Không với tay ra phía sau tấm chắn mà chỉ chạm mỗi phía của lưỡi cưa chưa đến 100 mm, để loại bỏ vụn gỗ, hoặc vì lý do nào khác trong khi lưỡi dao đang quay.** Độ gần giữa lưỡi cưa đang quay với bàn tay bạn có thể không rõ ràng và có thể gây ra thương tích nặng.
- ▶ **Kiểm tra phôi gia công trước khi cắt.** Nếu phôi bị cong vênh, hãy kẹp phôi gia công có mặt ngoài cong vênh vào tấm chắn. Luôn đảm bảo không có khe hở giữa phôi gia công, tấm chắn và bàn dọc theo đường cắt. Phôi cong vênh có thể bị vụn xoắn hoặc biến dạng và có thể làm kẹt lưỡi cưa đang quay trong khi cắt. Không được có đinh hoặc các vật lạ trong phôi gia công.
- ▶ **Không sử dụng cửa cho đến khi đã dọn sạch tất cả các dụng cụ, vụn gỗ, trên bàn, ngoài trừ phôi gia công.** Những mảnh vụn nhỏ, các mảnh gỗ lỏng hoặc những vật thể khác khi tiếp xúc với lưỡi dao đang quay có thể bị văng ra với tốc độ cao.
- ▶ **Mỗi lần chỉ cắt một phôi gia công.** Nhiều phôi gia công xếp chồng có thể không được kẹp chặt và gia cố chặt, do đó có thể gây kẹt hoặc làm biến dạng lưỡi cưa trong quá trình cắt.
- ▶ **Đảm bảo cửa kiểu cung đã được lắp và định vị cân bằng, gia cố bề mặt làm việc trước khi sử dụng.** Bề mặt làm việc bằng phẳng và chắc

chấn sẽ giảm nguy cơ không ổn định của cửa kiểu cung.

- ▶ **Lập kế hoạch công việc.** Mỗi lần bạn thay đổi thiết lập góc xiên hoặc góc 45 độ, hãy đảm bảo lắp chắc điều chỉnh được lắp đặt đúng cách để đỡ phôi gia công và sẽ không gây trở ngại cho lưỡi cửa hay hệ thống chấn. Nếu dụng cụ không quay khi được "BẬT" và không có phôi gia công trên bàn, hãy đưa lưỡi cửa xuyên qua một đường cắt mô phỏng hoàn thiện để đảm bảo sẽ không có trở ngại hoặc nguy hiểm nào khi tấm chấn bị cắt.
- ▶ **Cung cấp đầy đủ các dụng cụ đỡ ví dụ như các phần mở rộng bàn, bệ đỡ máy cửa, vv cho loại phôi gia công rộng hơn hoặc dài hơn chóp bàn.** Các phôi gia công dài hơn hoặc rộng hơn bàn cửa kiểu cung có thể bị đổ nếu không được đỡ chắc chắn. Nếu chi tiết cắt hoặc phôi gia công bị đổ, nó có thể nhắc bóng tấm chấn bên dưới hoặc bị văng xa bởi lưỡi cửa đang quay.
- ▶ **Không sử dụng một người khác để thay thế phần mở rộng bàn hoặc làm vật đỡ bổ sung.** Việc đỡ phôi gia công không chắc chắn có thể khiến lưỡi cửa bị kẹt hoặc phôi gia công bị biến dạng trong lúc cắt, do đó bạn và người trợ giúp có thể bị kéo vào lưỡi cửa đang quay.
- ▶ **Không được chèn hoặc nhấn chi tiết cắt bằng bất kỳ công cụ nào tỳ vào lưỡi cửa đang quay.** Nếu bị giới hạn, tức là sử dụng các cỡ chặn chiều dài, chi tiết cắt có thể bị chèn chặt vào lưỡi cửa và bị văng mạnh.
- ▶ **Luôn sử dụng kẹp hoặc đồ gá được thiết kế để đỡ các vật liệu hình tròn như thanh đòn hoặc ống.** Các thanh đòn có xu hướng lăn đi khi bị cắt, khiến lưỡi cửa bị "kẹp" và kéo sản phẩm cùng tay bạn vào lưỡi cửa.
- ▶ **Để lưỡi cửa đạt tốc độ đầy đủ trước khi cho chạm vào phôi gia công.** Việc này sẽ làm giảm nguy cơ phôi gia công bị văng đi.
- ▶ **Nếu phôi gia công hoặc lưỡi cửa bị kẹt, hãy tắt cửa kiểu cung. Chờ cho tất cả các bộ phận chuyển động dừng lại và rút phích cắm ra khỏi nguồn điện và/hoặc tháo bộ nguồn pin. Sau đó gỡ vật liệu bị kẹt.** Nếu tiếp tục cửa khi phôi gia công bị kẹt có thể gây mất kiểm soát hoặc làm hư hỏng cửa kiểu cung.
- ▶ **Sau khi cắt xong, hãy nhả công tắc, giữ đầu cửa xuống dưới và chờ cho lưỡi cửa dừng lại trước khi bỏ chi tiết cắt ra.** Với tay vào gân lưỡi cửa đang trượt xuống sẽ rất nguy hiểm.
- ▶ **Giữ tay cầm chắc chắn khi thực hiện một đường cắt chưa hoàn thiện hoặc khi nhả công tắc trước khi đầu cửa ở vị trí bên dưới.** Hành động phanh của cửa có thể khiến đầu cửa bị kéo xuống đột ngột, dẫn đến nguy cơ bị thương.

- ▶ **Không buông tay cầm khi đầu cửa, nếu đã đến vị trí thấp nhất. Luôn dẫn đầu cửa vào vị trí cao nhất bằng tay.** Nếu đầu cửa di chuyển mất kiểm soát, sẽ có nguy cơ bị thương.
- ▶ **Giữ nơi làm việc của bạn sạch sẽ.** Các hỗn hợp vật liệu là đặc biệt nguy hiểm. Bụi kim loại nhẹ có thể cháy hoặc nổ.
- ▶ **Không được sử dụng lưỡi cửa cùn, nứt, cong hay đã bị hỏng.** Lưỡi cửa không bén hay mài dũa không đúng cách tạo ra mạch cửa hẹp dẫn đến sự ma sát quá mức, lưỡi cửa bị chèn chặt và đội ngược.
- ▶ **Không được sử dụng lưỡi cửa thép gió (HSS).** Những loại lưỡi cửa như vậy có thể vỡ dễ dàng.
- ▶ **Luôn sử dụng các lưỡi cửa đúng kích cỡ và hình dáng (lưỡi kim cương khác với lưỡi tròn) của lỗ tâm.** Các lưỡi cửa không khớp với các phụ kiện cứng ghép nối của máy cửa sẽ làm lệch tâm và có thể làm mất kiểm soát.
- ▶ **Luôn luôn đẩy cần máy trở về vị trí số không trước và sau đó tắt máy.** Luôn luôn đưa tay máy về lại vị trí trung gian trước, rồi sau đó mới tắt máy đi.
- ▶ **Không được chạm vào lưỡi cửa sau khi vừa hoạt động xong, trước khi lưỡi cửa đã nguội.** Lưỡi cửa trở nên rất nóng trong lúc hoạt động.
- ▶ **Dụng cụ điện được dán nhãn cảnh báo laser (xem bảng "Các biểu tượng và ý nghĩa").**
- ▶ **Nếu văn bản của nhãn cảnh báo laser không theo ngôn ngữ của bạn, hãy dán chống nhãn dính được cung cấp kèm theo bằng ngôn ngữ của nước bạn lên trên trước khi sử dụng lần đầu tiên.**
- ▶ **Không bao giờ được làm cho các dấu hiệu cảnh báo trên máy không thể đọc được.**



Không được hướng tia laze vào người hoặc động vật và không được nhìn vào tia laze trực tiếp hoặc phản xạ. Bởi vì bạn có thể chiếu lóa mắt người, gây tai nạn hoặc gây hỏng mắt.

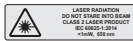
- ▶ **Nếu tia laze hướng vào mắt, bạn phải nhắm mắt lại và ngay lập tức xoay đầu để tránh tia laze.**
- ▶ **Không thực hiện bất kỳ thay đổi nào ở thiết bị laze.** Bạn có thể sử dụng các thiết lập được mô tả trong sách hướng dẫn này một cách an toàn.
- ▶ **Không để trẻ em sử dụng dụng cụ điện cầm tay khi không có người lớn giám sát.** Có thể vô tình làm lóa mắt người khác hoặc làm lóa mắt chính bản thân.

Các Biểu Tượng

Các biểu tượng sau đây có khả năng diễn đạt ý nghĩa về cách sử dụng dụng cụ điện cầm tay của

bạn. Xin vui lòng ghi nhận các biểu tượng và ý nghĩa của chúng. Sự hiểu đúng các biểu tượng sẽ giúp bạn sử dụng máy một cách tốt và an toàn hơn.

Biểu tượng và các ý nghĩa của chúng



Tia laser
Không nhìn trực tiếp vào tia Laser hạng 2



Đề tay tránh khỏi phạm vi cắt khi máy đang hoạt động. Có nguy cơ gây thương tích khi chạm vào lưỡi cưa.



Hãy mang mặt nạ chống bụi.



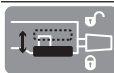
Hãy mang kính bảo hộ.



Hãy mang dụng cụ bảo vệ tai.
Đề tai trần tiếp xúc với tiếng ồn có thể làm mất thính giác.



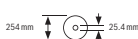
Phạm vi nguy hiểm! Đề tay, ngón tay hay cánh tay ra xa khỏi phạm vi này.



Để điều chỉnh các góc xiên dọc ngẫu nhiên, tay máy phải chuyển động tự do.

Nút khóa được kéo lên trên:
Có thể điều chỉnh góc xiên dọc.

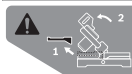
Nút khóa được ấn xuống:
Góc xiên dọc đã đặt được giữ nguyên.



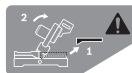
Hãy tuân thủ kích thước của lưỡi cưa. Đường kính lỗ phải vừa vặn với trục máy của dụng cụ, không bị lỏng lẻo. Nếu cần sử dụng ống nối chuyển tiếp, hãy đảm bảo rằng các kích thước của ống nối chuyển tiếp phải phù hợp với độ dày thép lá và đường kính lỗ của lưỡi cưa cũng như đường kính của trục dụng cụ. Hãy sử dụng ống nối chuyển tiếp giao kèm với lưỡi cưa.

Đường kính lưỡi cưa phải phù hợp với thông số trên biểu tượng.

Biểu tượng và các ý nghĩa của chúng



Khi cưa góc xiên dọc, phải tháo thanh chắn điều chỉnh được bên trái hoặc phải.



Mô Tả Sản Phẩm và Đặc Tính Kỹ Thuật



Đọc kỹ mọi cảnh báo an toàn và hướng dẫn. Không tuân thủ mọi cảnh báo và hướng dẫn được liệt kê dưới đây có thể bị điện giật, gây cháy và / hay bị thương tật nghiêm trọng.

Xin lưu ý các hình minh họa trong phần trước của hướng dẫn vận hành.

Sử dụng đúng cách

Dụng cụ điện được thiết kế là máy đặt cố định để cắt gỗ theo đường thẳng và chéo. Do đó có thể có góc vuông nằm ngang từ -47° tới $+52^\circ$ cũng như góc vuông thẳng đứng từ 45° (phía bên trái) tới 45° (phía bên phải).

Năng suất của dụng cụ điện được thiết kế để cưa gỗ cứng và gỗ mềm như tấm gỗ ép và tấm xơ ép. Khi sử dụng lưỡi cưa thích hợp, việc cưa nhôm định hình và nhựa cũng có thể được.

Các bộ phận được minh họa

Việc đánh số các thành phần đã minh họa liên quan đến mô tả dụng cụ điện trên trang hình ảnh.

- (1) Vít khóa thiết bị trượt
- (2) Thiết bị trượt
- (3) Nhãn cảnh báo laser
- (4) Tay nắm dùng khi di chuyển
- (5) Tay Nắm
- (6) Nút nhả khóa của công tắc Bật/Tắt
- (7) Chắn bảo vệ lưỡi
- (8) Chắn đàn hồi bảo vệ lưỡi
- (9) Lỗ lắp bắt
- (10) Thanh chèn
- (11) Nút khóa cho góc xiên (ngang)
- (12) Núm khóa dành cho góc xiên bất kỳ (ngang)
- (13) Nút khóa cho góc xiên (dọc)
- (14) Vạch chỉ độ góc cho góc xiên (ngang)
- (15) Rãnh khóa cho góc xiên tiêu chuẩn (ngang)
- (16) Bàn Cưa mở rộng
- (17) Giá đỡ chi tiết gia công^{a)}
- (18) Thanh chắn cố định

- (19) Chấn điều chỉnh được
- (20) Gá kẹp nhanh
- (21) Núm điều chỉnh góc xiên 0° (đứng)
- (22) Cờ định độ sâu
- (23) Vít điều chỉnh cờ định độ sâu
- (24) Chia vận lục giác
- (25) Khóa an toàn dùng khi di chuyển
- (26) Cờ chặn chiều dài
- (27) Chỗ lõm để nắm
- (28) Lỗ để có thể cố định ngang
- (29) Bàn cưa
- (30) Thước đo góc xiên (ngang)
- (31) Bộ phận bảo vệ chống lật
- (32) Bánh lăn
- (33) Khóa trục
- (34) Cửa chiếu luồng laze
- (35) Công tắc bật/tắt
- (36) Công tắc tắt/bật cho Laser (đánh dấu vạch chia đoạn)
- (37) Vít khóa cầu thanh
- (38) Vít tai hồng để cố định thanh ngang định vị có thể điều chỉnh
- (39) Lỗ để gắn gá kẹp nhanh
- (40) Vít cỡ chặn cho vùng góc xiên phải (đọc)
- (41) Cỡ chặn góc xiên tiêu chuẩn 45°, 22,5° và 33,9° (đọc)
- (42) Vít kẹp bàn cưa mở rộng
- (43) Vít an toàn của bàn cưa mở rộng
- (44) Khung lắp cho giá đỡ chi tiết gia công (trên dụng cụ định)
- (45) Khung lắp cho giá đỡ chi tiết gia công thứ hai (trên giá đỡ chi tiết gia công)
- (46) Túi chứa bụi
- (47) Vít lục giác để cố định lưỡi cưa
- (48) Bích kẹp
- (49) Lưỡi cưa
- (50) Bích kẹp trong
- (51) Vít tai hồng để điều chỉnh độ cao của thanh có gờ
- (52) Thanh ren
- (53) Vít tai hồng của gá kẹp nhanh
- (54) Chốt gá kẹp nhanh
- (55) Vạch chỉ độ góc cho góc xiên (đứng)
- (56) Thước đo góc xiên (đứng)
- (57) Vít kẹp của thanh chặn vật liệu
- (58) Ray dẫn hướng của thanh chặn vật liệu
- (59) Vít tai hồng để cố định ray dẫn hướng của thanh chặn vật liệu
- (60) Vít bắt thanh chèn

- (61) Vít điều chỉnh cho định vị laser
 - (62) Tam giác góc
 - (63) Vít cỡ chặn góc xiên 0° (đứng)
 - (64) Vít sáu cạnh của thước dẫn hướng
 - (65) Vít bắt vạch chỉ độ góc (đứng)
 - (66) Vít bắt vạch chỉ độ góc (ngang)
- a) **Không có sẵn cho tất cả các phiên bản dành riêng cho quốc gia.**

Thông số kỹ thuật

Máy Cưa Vát Trượt	GCM 254 D	
Mã số máy		3 601 M53 0..
Công suất vào danh định	W	1800
Tốc độ không tải	/phút	4800
Loại Laser	nm	650
	mW	< 1
Cấp độ Laser		2
Trọng lượng	kg	17,9
Cấp độ bảo vệ		□ / II
Kích thước lưỡi cưa phù hợp		
Đường kính lưỡi cưa	mm	254
Độ dày lưỡi	mm	1,4-2,5
Chiều rộng vết cắt tối đa	mm	3
Lỗ lắp lưỡi cắt	mm	25,4

Kích thước vật gia công cho phép (tối đa/tối thiểu): (xem „Kịch Thước Vật gia Công Cho Phép“, Trang 106)

Các giá trị đã cho có hiệu lực cho điện thế danh định [U] 230 V. Đối với điện thế thấp hơn và các loại máy dành riêng cho một số quốc gia, các giá trị này có thể thay đổi.

Thiết bị đáp ứng các yêu cầu của IEC 61000-3-11 và phải được đấu nối có điều kiện. Thiết bị có thể gây ra dao động điện áp không thường xuyên trong các điều kiện nguồn điện không thuận lợi. Trở kháng của thiết bị này được đặt là $Z_{\text{actual}} = 0,094 \Omega$. Người sử dụng phải đảm bảo rằng, điểm đấu nối có trở kháng Z_{max} mà thiết bị sẽ được cắm vào đáp ứng yêu cầu về trở kháng: $Z_{\text{actual}} \geq Z_{\text{max}}$. Nếu Z_{max} không xác định, hãy liên hệ nhà cung cấp mạng hoặc cơ quan cung cấp để xác định Z_{max} .

Các giá trị có thể khác nhau tùy thuộc vào sản phẩm và tùy thuộc vào ứng dụng và điều kiện môi trường. Xem thêm thông tin chi tiết trên trang www.bosch-professional.com/wac.

Sự lắp vào

- **Phòng ngừa máy khởi động bất ngờ. Trong khi lắp ráp hay có việc làm gì trên máy, phích cắm điện phải được rút ra khỏi nguồn cấp điện.**

Các món được giao



Vui lòng tham khảo hình minh họa phạm vi giao hàng ở đầu hướng dẫn vận hành.

Trước khi vận hành lần đầu, hãy kiểm tra dụng cụ điện xem tất cả các bộ phận theo thiết kế có được cung cấp đầy đủ không:

- Cửa tấm với lưới cửa được lắp
- Túi chứa bụi (46)
- Giá đỡ chi tiết gia công (17) (2 chiếc)
(Không có sẵn cho tất cả các phiên bản dành riêng cho quốc gia.)
- Giá kẹp nhanh (20)
- Chia vận lục giác (24)
- Tam giác góc (62)
- Bàn cửa mở rộng (16) (2 chiếc)

Lưu ý: Hãy kiểm tra dụng cụ điện xem có hư hỏng nào không.

Trước khi tiến hành sử dụng máy, kiểm tra cẩn thận xem tất cả các chi tiết dùng bảo vệ hay các bộ phận bị hư hỏng nhẹ có hoạt động tốt và theo đúng quy định không. Tất cả các hư hỏng nhẹ phải được kiểm tra cẩn thận để bảo đảm sự hoạt động của dụng cụ được hoàn hảo. Tất cả các bộ phận phải được lắp ráp đúng cách và tất cả các điều kiện cần có phải được đáp ứng đúng và đủ để bảo đảm sự hoạt động được hoàn hảo.

Các chi tiết bảo vệ và các bộ phận hư hỏng phải được thay ngay thông qua một trung tâm bảo hành-bảo trì được ủy nhiệm.

Lắp Ráp Các Thành Phần Chi Tiết

- Lấy tất cả các bộ phận được giao kèm theo máy ra khỏi bao bì một cách cẩn thận.
- Lấy tất cả các gói tài liệu hướng dẫn và các phụ kiện giao kèm ra khỏi máy.
- Để giúp công việc dễ dàng hơn khi lắp ráp các phần tử thiết bị được cung cấp, hãy đảm bảo dụng cụ điện ở vị trí vận chuyển.

Lắp các bàn cửa mở rộng lắp (xem Hình A1)

Để mở rộng bàn cửa thêm, ta có thể lắp các bàn cửa mở rộng ở cả bên phải hoặc trái của dụng cụ điện.

- Vít chặt vít an toàn bằng (43) chia vận vít bốn cạnh từ bàn cửa mở rộng.
- Hãy nghiêng dụng cụ điện.
- Hãy đẩy bàn cửa mở rộng (16) vào cả hai bên của dụng cụ điện cho đến cỡ chặn vào các lỗ đã cho.
- Để ngăn kéo ra, hãy vận lại các vít an toàn (43) vào bàn cửa mở rộng.

Lắp giá đỡ chi tiết gia công (xem Hình A2)

Không thể định vị các giá đỡ chi tiết gia công (17) bên trái, bên phải hoặc phía trước trên dụng cụ điện. Hệ thống cảm linh hoạt cho phép bạn có nhiều biến thể kéo dài hoặc mở rộng (xem hình ảnh G).

- Tùy theo nhu cầu, cắm giá đỡ chi tiết gia công (17) vào giá lắp (44) trên dụng cụ điện

hoặc vào các giá lắp (45) của giá đỡ chi tiết gia công.

- ▶ **Không bao giờ mang đỡ dụng cụ điện trên các giá đỡ chi tiết gia công.**
Chỉ sử dụng các thiết bị vận chuyển khi vận chuyển dụng cụ điện.

Lắp bắt cố định hay linh hoạt

- ▶ **Để bảo đảm sự điều khiển được an toàn, máy phải được lắp bắt lên trên một bề mặt phẳng và vững chãi (vd. bàn thợ) trước khi sử dụng.**

Lắp ráp trên bề mặt gia công (xem Hình B1–B2)

- Bắt chắc dụng cụ điện bằng loại vít lắp bắt thích hợp lên trên bề mặt gia công. Các lỗ khoan dùng cho mục đích này (9).

hoặc

- Kẹp dụng cụ điện bằng loại hàm kẹp có trên thị trường, và kẹp các chân máy vào bề mặt gia công.

Lắp ráp trên giá cửa Bosch

Với các chân có thể điều chỉnh được chiều cao, giá cửa GTA Bosch tạo được sự vững chắc cho dụng cụ điện khi đặt trên bất kỳ bề mặt nào. Chi tiết gia công hỗ trợ của giá cửa được sử dụng để làm nền đỡ cho vật gia công dài.

- ▶ **Hãy đọc mọi cảnh báo và hướng dẫn đính kèm giá cửa.** Không tuân thủ các cảnh báo an toàn và hướng dẫn có thể dẫn đến việc bị điện giật, cháy và/hoặc gây ra thương tích nghiêm trọng.
- ▶ **Lắp ráp giá cửa đúng cách trước khi gắn dụng cụ điện.** Sự lắp ráp hoàn hảo là quan trọng để ngăn ngừa nguy cơ bị sập.
- Gắn lắp dụng cụ điện lên giá cửa ở tư thế vận chuyển.

Bàn linh hoạt (không khuyến cáo) (xem hình B3)

Trong trường hợp ngoại lệ, nếu không thể lắp dụng cụ điện lên một bề mặt gia công bằng phẳng và ổn định, bạn có thể tạm thời thiết lập nó với dụng cụ chống nghiêng.

- ▶ **Không có dụng cụ chống nghiêng, dụng cụ điện không đứng vững và có thể bị lật, đặc biệt là khi cửa các góc xiên ngang và/hoặc góc xiên đứng tối đa.**
- Xoay dụng cụ chống nghiêng (31) vào hoặc ra cho đến khi dụng cụ nằm ngay trên bề mặt gia công.

Hút Dăm/Bụi

Mạt bụi từ các vật liệu được sơn phủ ngoài có chứa chì trên một số loại gỗ, khoáng vật và kim loại có thể gây nguy hại đến sức khỏe con người. Dụng cụ chạm hay hít thở các bụi này có thể làm người sử dụng hay đứng gần bị dị ứng và/hoặc gây nhiễm trùng hệ hô hấp.

Một số mặt bụi cụ thể, ví dụ như bụi gỗ sợi hay dầu, được xem là chất gây ung thư, đặc biệt là có liên quan đến các chất phụ gia dùng xử lý gỗ (chất cromat, chất bảo quản gỗ). Có thể chỉ nên để thợ chuyên môn gia công các loại vật liệu có chứa amiăng.

- Cách xa ở mức có thể được, sử dụng hệ thống hút thích hợp cho loại vật liệu.
- Tạo không khí thông thoáng nơi làm việc.
- Khuyến nghị nên mang mặt nạ phòng độc có bộ lọc cấp P2.

Tuân thủ các qui định của quốc gia bạn liên quan đến loại vật liệu gia công.

► **Tránh không để rác tích tụ tại nơi làm việc.**

Rác có thể dễ dàng bắt lửa.

Sự hút bụi/dầm có thể bị bụi, dầm hay các mảnh nhỏ của vật gia công làm cho tắc nghẽn lại.

- Tắt máy và kéo phích cắm điện nguồn ra khỏi ổ cắm.
- Hãy chờ cho đến khi lưới cửa dừng hẳn.
- Xác định nguyên nhân làm tắc nghẽn và chỉnh sửa lại.

Hệ thống hút bụi tích hợp (xem hình C)

Để dễ dàng hứng các vỏ bào, hãy sử dụng túi chứa bụi (46) (Phụ kiện).

- Hãy gắn túi chứa bụi (46) lên lỗ phun vỏ bào (37).

Trong thời gian cửa, túi đựng bụi không được chạm vào các bộ phận chuyển động được của máy.

Luôn trút sạch túi đựng bụi đúng lúc.

► **Kiểm tra và làm sạch túi chứa bụi sau mỗi lần sử dụng.**

► **Khí cửa vật liệu bằng nhôm, tháo túi chứa bụi ra để ngăn nguy cơ gây cháy.**

Máy Hút Bụi Ngoài

Để hút bụi, bạn có thể gắn một ống hút bụi (Ø 35 mm) vào vít khóa cầu thanh (37).

Máy hút bụi phải thích hợp dành cho loại vật liệu đang gia công.

Khi hút bụi khô loại đặc biệt gây nguy hại đến sức khỏe hoặc gây ra ung thư, hãy sử dụng máy hút bụi loại chuyên dụng.

Thay lưới cửa (xem Hình D1–D4)

► **Trước khi tiến hành bất cứ việc gì trên máy, kéo phích cắm điện nguồn ra.**

► **Khi lắp ráp lưới cửa, hãy mang găng tay bảo hộ vào. Nếu chạm vào lưới cửa sẽ có nguy cơ bị thương.**

Chỉ sử dụng lưới cửa có tốc độ tối đa cho phép cao hơn tốc độ không tải của dụng cụ điện.

Chỉ sử dụng lưới cửa phù hợp với các đặc tính kỹ thuật được ghi rõ trong các hướng dẫn sử dụng và đã được thử nghiệm, và được đánh dấu đáp ứng tiêu chuẩn EN 847-1.

Chỉ sử dụng lưới cửa do nhà sản xuất máy khuyến nghị, và thích hợp để cửa loại vật liệu được gia công cắt. Điều này giúp tránh được quá nhiệt rằng cửa khi cửa.

Tháo Lưới Cửa

- Đặt máy ở vào tư thế hoạt động.
- Xoay chắn đàn hồi bảo vệ lưới (8) ra phía sau và giữ nó ở vị trí này.
- Vặn vít đầu có lỗ sáu cạnh (47) bằng cơ lê lỗ sáu cạnh (8 mm) (24) và đồng thời nhấn khóa hãm trục (33), cho đến khi vào khớp.
- Bấm giữ khóa hãm trục (33) và xoay vít lục giác (47) theo chiều kim đồng hồ (ren trái!).
- Tháo bích kẹp (48).
- Tháo lưới cửa (49).
- Từ từ đưa chắn đàn hồi bảo vệ lưới xuống trở lại.

Lắp Lưới Cửa

► **Khi lắp lưới cửa, hãy lưu ý rằng chiều cắt của răng (chiều của mũi tên trên lưới cửa) cùng chiều với chiều mũi tên trên chắn bảo vệ!**

Nếu thấy cần, làm sạch tất cả các bộ phận sắp lắp vào trước khi ráp.

- Xoay chắn đàn hồi bảo vệ lưới (8) ra phía sau và giữ nó ở vị trí này.
- Lắp lưới cửa mới vào lên trên bích kẹp trong (50).
- Đặt bích kẹp (48) và vít lục giác (47) lên. Bấm khóa hãm trục (33) cho đến khi vào khớp và vặn chặt vít sáu cạnh ngược chiều kim đồng hồ.
- Từ từ đưa chắn đàn hồi bảo vệ lưới xuống trở lại.

Vận Hành

► **Trước khi tiến hành bất cứ việc gì trên máy, kéo phích cắm điện nguồn ra.**

Khóa an toàn dùng khi di chuyển (xem Hình E)

Khóa an toàn dùng khi di chuyển (25) cho phép xử lý dụng cụ điện dễ dàng hơn khi di chuyển máy đến các địa điểm làm việc khác nhau.

Tháo Khóa Máy (Vị Trí Hoạt Động)

- Ấn nhẹ dụng cụ xuống ở vị trí tay nắm (5) để nhả khóa an toàn dùng khi di chuyển (25).
- Kéo khóa an toàn dùng khi di chuyển (25) hoàn toàn rời ra ngoài.
- Nhấc tay máy lên từ từ.

Bảo Vệ An Toàn Máy (Vị Trí Di Chuyển)

- Nới lỏng vít định vị (1), nếu vít này kẹp thiết bị trượt (2). Kéo tay máy hoàn toàn về phía trước và siết chặt vít khóa trở lại để khóa thiết bị trượt.
- Vặn vít điều chỉnh (23) lên.
- Để khóa bàn cửa (29), siết chặt vít khóa (12).

- Hãy quay tay máy xuống bằng tay nắm (5) cho đến khi khóa an toàn dùng để di chuyển (25) được ấn hoàn toàn vào trong.

Cần máy lúc này đã được khóa an toàn lại để chuyển vận.

Chuẩn Bị cho sự Hoạt Động

Để bảo đảm đường cắt chính xác, sự điều chỉnh cơ bản của máy phải được kiểm tra và điều chỉnh lại như là vít căn thiết sau khi hoạt động cao độ. Việc này đòi hỏi phải có một mức độ kinh nghiệm nhất định và các dụng cụ chuyên môn thích hợp. Trạm phục vụ hàng sau khi bán của Bosch sẽ xử lý việc bảo trì này một cách nhanh chóng và đáng tin cậy.

Kéo dài/mở rộng bàn cưa (xem Hình F–G)

Các chi tiết gia công dài và/hay nặng phải được kê đỡ ở phần đầu trống.

Bàn cưa có thể được kéo dài sang trái hoặc phải nhờ chức năng bàn cưa mở rộng (16).

- Nới lỏng vít kẹp (42).
- Kéo bàn cưa mở rộng (16) ra ngoài cho đến khi đạt được độ dài mong muốn.
- Để cố định bàn cưa mở rộng, hãy siết lại vít kẹp (42).

Hệ thống cảm linh hoạt của giá đỡ chi tiết gia công (17) cho phép bạn có nhiều biến thể kéo dài hoặc mở rộng.

- Tùy theo nhu cầu, cảm giá đỡ chi tiết gia công (17) vào giá lắp (44) trên dụng cụ điện hoặc vào các giá lắp (45) của giá đỡ chi tiết gia công.

- ▶ **Không bao giờ mang đỡ dụng cụ điện trên các giá đỡ chi tiết gia công.**
Chỉ sử dụng các thiết bị vận chuyển khi vận chuyển dụng cụ điện.

Tháo thanh chắn (xem Hình H)

Khi cưa các góc vuông theo chiều dọc, bạn phải tháo thanh chắn có thể điều chỉnh bên trái hoặc bên phải (19).

- Hãy nhả các bu-lông tai hông (38).
- Tháo thanh chắn điều chỉnh được (19).

Sau khi cưa các góc xiên dọc, hãy lắp thanh chắn có thể điều chỉnh (19) trở lại và siết chặt vít tai hông (38).

Gắn phôi (xem hình I1–I3)

Để đảm bảo an toàn lao động tốt nhất, vật gia công phải luôn luôn được kẹp chặt.

Nếu không, khoảng cách tay của bạn đến lưỡi cưa đang quay là quá nhỏ.

Cố định dọc

- Đẩy thật sát vật gia công vào thước dẫn hướng (18) và (19).

- Lắp gá kẹp nhanh được giao kèm máy (20) vào một trong các lỗ khoan được thiết kế cho nó (39).
- Nới lỏng vít tai hông (51) và lắp bắt gá kẹp nhanh vào vật gia công. Siết chặt vít tai hông lại như cũ.
- Siết thanh ren (52) thật chặt để cố định vật gia công.

Cố định ngang

- Vận vít tai hông (53) ra và kéo gá kẹp nhanh ra xa nhau.
- Lắp gá kẹp nhanh „thuôn“ (20) vào một trong các lỗ khoan được thiết kế cho nó bằng chốt (54) (28).
- Ấn phôi vào bàn cưa (29).
- Siết thanh ren (52) thật chặt để cố định vật gia công.

Giải Phóng Vật Gia Công

- Để nhả gá kẹp nhanh hãy xoay thanh ren (52) ngược chiều kim đồng hồ.

Điều Chỉnh Góc Vát Ngang

- Đặt máy ở vào tư thế hoạt động.

Điều chỉnh góc vát ngang tiêu chuẩn (xem hình J)

Mẫu khóa trên bàn cưa được thiết kế để điều chỉnh nhanh và chính xác các góc vát ngang thường được sử dụng (15):

Trái	bên phải
	0°
45°; 22,5°; 15°	15°; 22,5°; 45°

- Nới lỏng núm khóa (12) trong trường hợp đã được siết chặt.
- Nhấn nút khóa (11) xuống dưới và xoay bàn cưa (29) bằng núm khóa sang trái hoặc phải cho đến khi bộ chỉ báo góc (14) hiển thị góc xiên ngang mong muốn.
- Nhả lại nút khóa (11). Bàn cưa phải ăn khớp vào mẫu khóa.
- Siết chặt núm khóa (12) lại như trước.

Điều chỉnh góc xiên ngang bất kỳ

Có thể điều chỉnh góc vát ngang trong phạm vi từ 47 (phía bên trái) đến 52 (phía bên phải).

- Nới lỏng núm khóa (12) trong trường hợp đã được siết chặt.
- Nhấn nút khóa (11) xuống dưới và xoay bàn cưa (29) bằng núm khóa sang trái hoặc phải cho đến khi bộ chỉ báo góc (14) hiển thị góc xiên ngang mong muốn.
- Nhả lại nút khóa (11).
- Siết chặt núm khóa (12) lại như trước.

Điều chỉnh Góc Xiên Nằm Thẳng Đứng

Có thể điều chỉnh góc xiên dọc trong phạm vi từ 45° (phía bên trái) đến 45° (phía bên phải).

Để điều chỉnh nhanh các góc xiên nằm thẳng đứng thường xuyên được sử dụng, các cỡ chặn sẽ được đặt sẵn cho góc 0° , $22,5^\circ$, $33,9^\circ$ và 45° .

Điều chỉnh vùng góc xiên dọc bên trái

- Tháo thanh chắn điều chỉnh được bên trái (19).
- Xoay cỡ chặn bên trái (41), đến khi góc xiên tiêu chuẩn dọc 45° khớp vào dấu mũi tên. Lúc này, toàn bộ phạm vi độ nghiêng bên trái có thể sử dụng được.
- Hãy kéo nút khóa (13) lên trên.
- Cắm vào tay nắm (5) và xoay tay máy sang trái cho đến khi phần chỉ báo góc hiển thị góc xiên dọc mong muốn.
- Giữ tay máy ở nguyên vị trí này và ấn nút khóa (13) xuống dưới một lần nữa.

Điều chỉnh vùng góc xiên dọc bên phải

- Tháo thanh chắn điều chỉnh được bên phải (19).
- Xoay cỡ chặn bên phải (41), đến khi góc xiên tiêu chuẩn dọc 45° khớp vào dấu mũi tên. Lúc này, toàn bộ phạm vi độ nghiêng bên phải có thể sử dụng được.
- Hãy kéo nút khóa (13) lên trên.
- Xoay nhẹ nút điều chỉnh (21) sang bên trái và quay tay máy bằng tay cầm (5) sang bên phải, đến khi bộ chỉ báo hiển thị góc xiên dọc mong muốn.
- Giữ tay máy ở nguyên vị trí này và ấn nút khóa (13) xuống dưới một lần nữa.

Điều chỉnh góc xiên nằm thẳng đứng (xem Hình K)

- Tháo thanh chắn điều chỉnh được bên trái/bên phải (19).
 - Hãy kéo nút khóa (13) lên trên.
- Góc xiên tiêu chuẩn 0° :*
- Xoay nhẹ nút điều chỉnh (21) sang bên trái và quay tay máy từ bên phải qua vị trí 0° cho đến khi nó khớp vào vị trí 0° .
 - Hãy nhấn nút khóa (13) xuống dưới lần nữa.
- Góc xiên tiêu chuẩn 45° , $33,9^\circ$ và $22,5^\circ$:*
- Xoay cỡ chặn bên trái hoặc bên phải (41), đến khi góc xiên tiêu chuẩn dọc mong muốn khớp vào dấu mũi tên.
 - Hãy quay tay máy sang trái cho đến cỡ chặn. hoặc
 - Hãy xoay nhẹ nút điều chỉnh (21) sang trái và quay tay máy bằng tay cầm (5) sang bên phải đến cỡ chặn.
 - Hãy nhấn nút khóa (13) xuống dưới lần nữa.

Bắt Đầu Vận Hành

- ▶ **Tuân thủ theo đúng điện thế!** Điện thế nguồn phải đúng với điện thế đã ghi rõ trên nhãn máy.
- ▶ **Siết chặt nút khóa trước khi cưa (12) và nhấn nút khóa (13) xuống dưới.** Nếu không, lưỡi cưa có thể bị kẹt chặt trong vật gia công.

Bật (xem hình L)

- Để vận hành dụng cụ điện hãy nhấn khóa an toàn (6). Sau đó hãy nhấn công tắc Tắt/Mở (35) và nhấn giữ.

Lưu ý: Vì lý do an toàn, công tắc Tắt/Mở (35) không thể khóa tự chạy được, mà phải giữ nhấn trong suốt quá trình vận hành.

Để tắt máy

- Để Tắt máy thả công tắc Tắt/Mở (35) ra.

Cưa

Các Hướng Dẫn Cưa Tổng Quát

- ▶ **Siết chặt nút khóa trước khi cưa (12) và nhấn nút khóa (13) xuống dưới.** Nếu không, lưỡi cưa có thể bị kẹt chặt trong vật gia công.
- ▶ **Trong mọi kiểu cắt, trước tiên phải bảo đảm rằng lưỡi cưa trong bất cứ trường hợp nào cũng không thể chạm vào thanh chắn, vít ngàm khóa hay các bộ phận máy khác. Tháo cỡ chặn phụ có thể đã được gắn vào hay điều chỉnh chúng cho thích ứng.**

Bảo vệ lưỡi cưa tránh bị va đập hay chạm mạnh. Không để lưỡi cưa phải chịu lực áp hông.

Chỉ cưa các vật liệu đã được phê duyệt để sử dụng đúng cách.

Không được cưa vật gia công bị cong hay bị oằn. Vật gia công phải luôn luôn có cạnh thẳng và áp sát vào thanh chắn.

Các chi tiết gia công dài và/hay nặng phải được kê đỡ ở phần đầu trống.

Đảm bảo chắn đàn hồi bảo vệ lưỡi hoạt động đúng quy định và có thể di chuyển linh hoạt. Khi kéo tay máy xuống, chắn đàn hồi bảo vệ lưỡi phải mở. Khi kéo tay máy lên, chắn đàn hồi bảo vệ lưỡi phải đóng lại trên lưỡi cưa và khóa vào vị trí trên cùng của tay máy.

Tư thế của người thao tác (xem hình M)

- ▶ **Không được đứng thẳng hàng với lưỡi cưa ở đằng trước máy. Luôn luôn đứng qua một bên lưỡi cưa.** Điều này phòng tránh cho thân thể bạn gặp khả năng bị dội ngược.
- Để tay, ngón tay và cánh tay tránh khỏi lưỡi cưa đang quay.
- Không vươn tay qua trước tay máy.

Cưa với Chuyển Động Trượt

- Để cắt với sự hỗ trợ của thiết bị trượt (2) (vật gia công rộng), hãy nối lỏng vít định vị (1), nếu vít này được siết chặt.

- Điều chỉnh góc xiên ngang và/hoặc đứng mong muốn nếu cần.
- Đẩy thật sát vật gia công vào thước dẫn hướng (18) và (19).
- Kẹp vật gia công thật chặt phù hợp với kích thước của nó.
- Kéo tay máy cách xa thanh chắn (18) cho đến khi lưỡi cưa đến trước vật gia công.
- Bật công tắc cho máy hoạt động.
- Cầm vào tay nắm (5) và chậm chậm kéo tay máy xuống.
- Bấy giờ, đẩy cần dụng cụ hướng tới thước dẫn hướng (18) và (19) và cưa ngang qua vật gia công với lực gia tải đồng đều.
- Tắt máy và đợi cho đến khi lưỡi cưa đã ngừng quay hoàn toàn.
- Nhấc tay máy lên từ từ.

Cửa không chuyển động trượt (cắt đứt đoạn) (xem hình N)

- Để cắt mà không chuyển động trượt (các vật gia công nhỏ), hãy nới lỏng vít định vị (1), nếu các vít này bị siết chặt. Đẩy tay máy tới cỡ chặn theo hướng thanh chắn (18) và siết chặt vít định vị (1) trở lại.
- Điều chỉnh góc xiên ngang và/hoặc đứng mong muốn nếu cần.
- Đẩy thật sát vật gia công vào thước dẫn hướng (18) và (19).
- Kẹp vật gia công thật chặt phù hợp với kích thước của nó.
- Bật công tắc cho máy hoạt động.
- Cầm vào tay nắm (5) và chậm chậm kéo tay máy xuống.
- Cắt xuyên qua vật gia công với lực áp lên máy đồng đều.
- Tắt máy và đợi cho đến khi lưỡi cưa đã ngừng quay hoàn toàn.
- Nhấc tay máy lên từ từ.

Hướng Dẫn Sử Dụng

Đánh dấu đường cắt (xem Hình O)

Tia laser thể hiện đường cắt của lưỡi cưa. Điều này cho phép đặt vật gia công ở vị trí chính xác để cưa mà không phải mở chắn đàn hồi bảo vệ lưỡi.

- Bật tia laser bằng công tắc (36).
- Đồng chỉnh dấu cắt trên vật gia công về giữa trên đường laser.

Lưu ý: Kiểm tra trước khi cưa xem đường cắt có hiển thị đúng không. Tia laser, như ví dụ, có thể bị sai lệch do sự rung sau thời gian sử dụng ở cường độ cao.

Kích Thước Vật gia Công Cho Phép

Vật gia công Tối đa:

Góc vát ngang	Góc xiên nằm đứng	Chiều cao x Chiều rộng [mm]
0°	0°	90 x 310
45°	0°	90 x 210
0°	45° (trái)	45 x 310
45°	45° (trái)	45 x 210
0°	45° (phải)	35 x 310
45°	45° (phải)	35 x 210

Phôi gia công tối thiểu (= tất cả các vật gia công có giá kẹp nhanh (20) được giao cùng máy có thể được cặng ở cả hai bên trái và phải lưỡi cưa): 130 x 50 mm (dài x rộng)

Cỡ sâu cắt tối đa (0°/0°): 90 mm

Cửa chi tiết gia công có cùng chiều dài (xem Hình P)

Để dễ dàng cưa được các chi tiết gia công có cùng chiều dài, bạn có thể sử dụng thanh chặn vật liệu (26).

- Nới lỏng vít kẹp (57) và dịch chuyển thanh chặn vật liệu (26) trong ray dẫn hướng (58) lên chiều dài phôi mong muốn.
- Siết chặt lại vít kẹp (57).

Phôi gia công dài:

- Hãy nhả vít tai hồng (59) và kéo ray dẫn hướng (58) ra ngoài cho đến cỡ chặn.
- Siết chặt lại vít tai hồng (59).
- Hãy điều chỉnh thanh chặn vật liệu (26) thành chiều dài phôi mong muốn.

Cửa không có thanh chặn vật liệu:

- Nới lỏng vít kẹp (57) và dịch chuyển thanh chặn vật liệu (26) trong ray dẫn hướng (58) ra ngoài hoàn toàn.
- Xoay thanh chặn vật liệu thêm 90° sao cho nó khít phẳng với ray cỡ chặn (18).
- Siết chặt lại vít kẹp (57).

Điều chỉnh cỡ định độ sâu (Cửa rãnh) (xem hình Q)

Ta phải điều chỉnh cỡ định chiều sâu khi phải cưa một rãnh hờ.

- Xoay cỡ định độ sâu (22) hướng ra ngoài.
- Cầm vào tay nắm (5) và xoay tay máy vào vị trí mong muốn.
- Vận vít điều chỉnh (23) cho đến khi mũi vít chạm vào cỡ định độ sâu (22).
- Nhấc tay máy lên từ từ.

Vật Gia Công Đặc Biệt

Khi cưa vật gia công có đường cong hay tròn, những vật này đặc biệt cần phải được giữ cho chắc chắn, tránh không để bị tuột. Tại đường cắt, không được có khe hở nào giữa vật gia công, thanh chắn và bàn cưa.

Nếu cần, gia cố thêm sự cố định một cách đặc biệt.

Thay thanh chèn (xem Hình R)

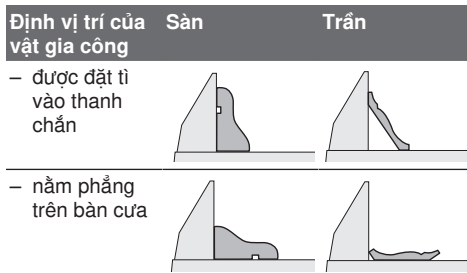
Tấm ốp (10) có thể bị rách sau một thời gian dài sử dụng dụng cụ điện.

Thay thanh chèn đã bị hỏng.

- Đặt máy ở vào tư thế hoạt động.
- Tháo vít (60) bằng tua vít bốn cạnh thông thường và gỡ bỏ tấm ốp cũ (10).
- Lắp tấm ốp mới và siết chặt lại các vít (60).

Xử lý dải biên dạng

Chỉ gia công chỉ trang trí định hình theo hai cách khác nhau:



Thêm vào đó, sự cắt có thể được thực hiện bằng chuyển động trượt hay không còn tùy thuộc vào bề dày của chỉ trang trí định hình/gờ đúc.

Trước tiên, luôn thử góc vát đã điều chỉnh (ngang và/hoặc đứng) bằng một mẫu gỗ bỏ đi.

Điều chỉnh laser

Lưu ý: Để kiểm tra chức năng laser, máy phải được nối với nguồn điện.

► Trong khi điều chỉnh laser (ví dụ khi dịch chuyển tay máy), không bao giờ được kích hoạt công tắc Tắt/Mở. Sự vô tình khởi động dụng cụ điện có thể dẫn đến việc gây thương tích.

- Đặt máy ở vào tư thế hoạt động.
- Xoay bàn cưa (29) đến mẫu khóa (15) để đạt 0°. Cần phải ăn khớp vào mẫu khóa.

Để đảm bảo độ chính xác của nhát cắt, bạn phải kiểm tra vạch laser sau khi sử dụng cường độ cao và điều chỉnh lại nếu cần.

Việc này đòi hỏi phải có một mức độ kinh nghiệm nhất định và các dụng cụ chuyên môn thích hợp. Trạm phục vụ hàng sau khi bán của Bosch sẽ xử lý việc bảo trì này một cách nhanh chóng và đáng tin cậy.

Kiểm tra (xem Hình S1)

- Vạch một đường cắt thẳng trên vật gia công.
- Cầm vào tay nắm (5) và chậm chậm kéo tay máy xuống.
- So thẳng vật gia công cách sao cho răng của lưỡi cưa cùng nằm thẳng hàng với đường cắt.
- Giữ vật gia công ngay ở vị trí này và từ từ đưa tay máy lên trở lại.

- Kẹp chặt chi tiết gia công.
- Bật tia laser bằng công tắc (36).

Tia laser phải nằm thẳng hàng với đường cắt trên vật gia công trên suốt toàn bộ chiều dài, và cũng như khi tay máy được hạ xuống.

Điều chỉnh (xem hình S2)

– Vận vít định vị (61) bằng tuốc nơ vít thích hợp cho đến khi tia laser trên toàn bộ chiều dài nằm ngang bằng với đường cắt trên vật gia công.

Một vòng quay ngược chiều kim đồng hồ chuyển luồng laser từ trái sang phải; một vòng quay theo chiều kim đồng hồ chuyển luồng laser từ phải sang trái.

Kiểm tra và điều chỉnh các thiết lập cơ bản

Để bảo đảm đường cắt chính xác, sự điều chỉnh cơ bản của máy phải được kiểm tra và điều chỉnh lại như là việc cần thiết sau khi hoạt động cao độ.

Việc này đòi hỏi phải có một mức độ kinh nghiệm nhất định và các dụng cụ chuyên môn thích hợp.

Trạm phục vụ hàng sau khi bán của Bosch sẽ xử lý việc bảo trì này một cách nhanh chóng và đáng tin cậy.

Điều chỉnh góc xiên đứng tiêu chuẩn 0°

- Đặt máy ở vào tư thế hoạt động.
- Xoay bàn cưa (29) đến mẫu khóa (15) để đạt 0°. Cần phải ăn khớp vào mẫu khóa.
- Hãy kéo nút khóa (13) lên trên.
- Xoay nhẹ núm điều chỉnh (21) sang bên trái và quay tay máy từ bên phải qua vị trí 0° cho đến khi nó khớp vào vị trí 0°.
- Hãy nhấn nút khóa (13) xuống dưới lần nữa.

Kiểm tra (xem Hình T1)

- Đặt tam giác góc (62) với góc 90° khít với lưỡi cưa (49) giữa bàn cưa (29) và lưỡi cưa trên bàn cưa (29).

Chân tam giác góc phải nằm ngang bằng với lưỡi cưa (49) dọc theo toàn bộ chiều dài.

Điều chỉnh (xem Hình T2)

- Nới lỏng đai ốc hãm của vít cũ chặn (63) bằng chia vận điều chỉnh hoặc chia vận ống lồng thông dụng.
- Vận vít cũ chặn vào hoặc ra (63) cho đến khi chân của tam giác góc ngang bằng (62) với lưỡi cưa dọc theo toàn bộ chiều dài.
- Hãy nhấn nút khóa (13) xuống dưới lần nữa.
- Sau đó, siết chặt đai ốc hãm của vít cũ chặn (63) một lần nữa.

Nếu chỉ báo góc (55) không nằm thẳng với vạch 0° trên thước (56) sau khi điều chỉnh, hãy nới lỏng vít (65) bằng tuốc nơ vít đầu Phillips thông dụng và căn chỉnh chỉ báo góc dọc theo vạch 0° (xem Hình W).

Góc xiên đứng tiêu chuẩn 45° (phải)

- Đặt máy ở vào tư thế hoạt động.
- Xoay bàn cưa (29) đến mấu khóa (15) để đạt 0°. Cần phải ăn khớp vào mấu khóa.
- Tháo thanh chắn điều chỉnh được bên phải (19).
- Xoay cỡ chặn bên phải (41), đến khi góc xiên tiêu chuẩn 45° khớp vào dấu mũi tên.
- Hãy kéo nút khóa (13) lên trên.
- Hãy xoay nhẹ núm điều chỉnh (21) sang trái và quay tay máy bằng tay cầm (5) sang bên phải đến cỡ chặn.

Kiểm tra (xem Hình U1)

- Đặt tam giác góc (62) với góc 45° khít với lưỡi cưa (49) giữa bàn cưa (29) và lưỡi cưa bên phải trên bàn cưa.

Chân tam giác góc phải nằm ngang bằng với lưỡi cưa (49) dọc theo toàn bộ chiều dài.

Điều chỉnh (xem Hình U2)

- Nới lỏng đai ốc hãm của vít cỡ chặn (40) bằng chìa vặn điều cỡ hoặc chìa vặn ống lồng thông dụng.
- Vặn vít cỡ chặn vào hoặc ra (40) cho đến khi chân của tam giác góc ngang bằng (62) với lưỡi cưa dọc theo toàn bộ chiều dài.
- Hãy nhấn nút khóa (13) xuống dưới lần nữa.
- Sau đó, siết chặt đai ốc hãm của vít cỡ chặn (40) một lần nữa.

Nếu chỉ báo góc (55) không nằm thẳng với vạch 45° của thước (56) sau khi điều chỉnh, trước tiên hãy kiểm tra một lần nữa thiết lập 0° cho góc xiên đứng và chỉ báo góc. Sau đó, lặp lại bước điều chỉnh góc xiên đứng 45°.

So Thẳng Thanh Chặn

- Đưa máy vào vị trí vận chuyển.
- Nới lỏng núm khóa (12) trong trường hợp đã được siết chặt.
- Nhấn nút khóa (11) xuống dưới và xoay bàn cưa (29) đến rãnh khóa (15) 0°.
- Nhả lại nút khóa (11). Bàn cưa phải ăn khớp vào mấu khóa.
- Tháo các thanh chắn điều chỉnh được (19).

Kiểm tra (xem hình V1)

- Đặt tam giác góc (62) với góc 90° khít với lưỡi cưa (49) giữa ray chặn (18) và lưỡi cưa trên bàn cưa (29).

Chân tam giác góc phải nằm ngang bằng với ray chặn dọc theo toàn bộ chiều dài.

Điều chỉnh (xem Hình V2)

- Bạn hãy nới lỏng vít lục giác chìm (64) bằng chìa vặn lục giác kèm theo dụng cụ (24).
- Vặn thước dẫn hướng (18) cho đến khi tam giác góc ngang bằng dọc theo toàn bộ chiều dài.
- Siết chặt các vít lại như cũ.

Chỉnh chỉ báo góc (đọc) (xem Hình W)

- Hãy kéo nút khóa (13) lên trên.

- Xoay nhẹ núm điều chỉnh (21) sang bên trái và quay tay máy từ bên phải qua vị trí 0° cho đến khi nó khớp vào vị trí 0°.
- Hãy nhấn nút khóa (13) xuống dưới lần nữa.

Kiểm tra

Chỉ báo góc (55) phải ở trong một vạch có dấu 0° của thước đo (56).

Điều chỉnh

- Nới lỏng ốc vít (65) bằng tước nơ vít đầu Phillips và căn chỉnh chỉ báo dọc theo dấu góc 0°.
- Siết chặt vít lại như trước.

Chỉnh chỉ báo góc (ngang) (xem hình X)

- Đặt máy ở vào tư thế hoạt động.
- Xoay bàn cưa (29) đến mấu khóa (15) để đạt 0°. Cần phải ăn khớp vào mấu khóa.

Kiểm tra

Chỉ báo góc (14) phải ở trong một vạch có dấu 0° của thước đo (30).

Điều chỉnh

- Nới lỏng ốc vít (66) bằng tước nơ vít đầu Phillips và căn chỉnh chỉ báo dọc theo dấu góc 0°.
- Siết chặt vít lại như trước.

Vận chuyển dụng cụ (xem Hình Y)

Trước khi vận chuyển dụng cụ điện, phải tiến hành các bước như sau:

- Nới lỏng vít định vị (1), nếu vít này được siết chặt. Kéo tay máy hoàn toàn về phía trước và siết chặt vít khóa trở lại.
- Hãy đảm bảo rằng cỡ định độ sâu (22) được ấn hoàn toàn vào trong và vít điều chỉnh (23) đi qua rãnh trong khi di chuyển tay máy, mà không chạm vào cỡ định độ sâu.
- Đưa máy vào vị trí vận chuyển.
- Nếu có thể, đặt những lưỡi cưa không được sử dụng tới vào trong một bao bì đóng gói để chuyển vận. Nếu có thể, đặt những lưỡi cưa không được sử dụng tới vào trong một bao bì đóng gói để chuyển vận.
- Khi vận chuyển dụng cụ điện, chỉ cầm vào tay xách dùng để vận chuyển (4) hoặc cầm vào hốc nắm (27) ở bên cạnh bàn cưa.

► **Khi vận chuyển dụng cụ điện, chỉ sử dụng các thiết bị dùng vận chuyển và không bao giờ sử dụng thiết bị bảo vệ hoặc các giá đỡ chi tiết gia công.**

Bảo Dưỡng và Bảo Quản**Bảo Dưỡng Và Làm Sạch**

- **Trước khi tiến hành bất cứ việc gì trên máy, kéo phích cắm điện nguồn ra.**
- **Để được an toàn và máy hoạt động đúng chức năng, luôn luôn giữ máy và các khe thông gió được sạch.**

Nếu như cần phải thay dây dẫn điện thì công việc này phải do hãng **Bosch**, hay một đại lý được **Bosch** ủy nhiệm thực hiện để tránh gặp sự nguy hiểm do mất an toàn.

Chắn bảo vệ lưới đàn hồi phải luôn luôn có thể chuyển động tự do, co thắt tự động. Vì vậy, luôn luôn giữ cho phạm vi chung quanh chắn bảo vệ lưới đàn hồi được sạch.

Làm sạch bụi và dăm sau mỗi lần sử dụng máy bằng cách dùng hơi nén để thổi hay bằng cọ.

Thường xuyên vệ sinh bánh lăn (32).

Biện Pháp để làm Giảm Tiếng Ồn

Các biện pháp về phần nhà sản xuất:

- Khởi động Êm
- Sự chuyển giao máy với lưới cửa được cải tiến một cách đặc biệt để làm giảm tiếng ồn

Các biện pháp về phần người sử dụng:

- Lắp ráp có sự dao động ít trên bề mặt làm việc cứng chắc
- Sử dụng lưới cửa có chức năng làm giảm tiếng ồn
- Thường xuyên làm sạch lưới cửa và dụng cụ điện



Không được thải bỏ dụng cụ điện vào chung với rác sinh hoạt!

Dịch vụ hỗ trợ khách hàng và tư vấn sử dụng

Bộ phận phục vụ hàng sau khi bán của chúng tôi trả lời các câu hỏi liên quan đến việc bảo dưỡng và sửa chữa các sản phẩm cũng như phụ tùng thay thế của bạn. Sơ đồ mô tả và thông tin về phụ tùng thay thế cũng có thể tra cứu theo dưới đây:

www.bosch-pt.com

Đội ngũ tư vấn sử dụng của Bosch sẽ giúp bạn giải đáp các thắc mắc về sản phẩm và phụ kiện.

Trong tất cả các phản hồi và đơn đặt phụ tùng, xin vui lòng luôn luôn nhập số hàng hóa 10 chữ số theo nhãn của hàng hóa.

Việt Nam

CN CÔNG TY TNHH BOSCH VIỆT NAM TẠI TP.HCM

Tầng 14, Ngôi Nhà Đức, 33 Lê Duẩn
Phường Bến Nghé, Quận 1, Thành Phố Hồ Chí Minh

Tel.: (028) 6258 3690

Fax: (028) 6258 3692 - 6258 3694

Hotline: (028) 6250 8555

Email: tuvankhachhang-pt@vn.bosch.com

www.bosch-pt.com.vn

www.baohanhbosch-pt.com.vn

Xem thêm địa chỉ dịch vụ tại:

www.bosch-pt.com/serviceaddresses

Sự thải bỏ

Máy, linh kiện và bao bì phải được phân loại để tái chế theo hướng thân thiện với môi trường.

مخصص للاستعمال الخارجي من خطر الصدمات الكهربائية.

◀ **إن لم يكن بالإمكان تجنب تشغيل العدة الكهربائية في الأجواء الرطبة، فاستخدم مفتاح للوقاية من التيار المتخلف.** إن استخدام مفتاح للوقاية من التيار المتخلف يقلل خطر الصدمات الكهربائية.

أمان الأشخاص

◀ **كن يقظا وانتبه إلى ما تفعله واستخدم العدة الكهربائية بتعقل.** لا تستخدم عدة كهربائية عندما تكون متعبا أو عندما تكون تحت تأثير المخدرات أو الكحول أو الأدوية. عدم الانتباه للحظة واحدة عند استخدام العدة الكهربائية قد يؤدي إلى إصابات خطيرة.

◀ **قم لارتداء تجهيزات الحماية الشخصية.** وارتد دائما نظارات واقية. يحد ارتداء تجهيزات الحماية الشخصية، كقناع الوقاية من الغبار وأحذية الأمان الواقية من الانزلاق والوذو أو واقية الأذنين، حسب ظروف استعمال العدة الكهربائية، من خطر الإصابة بجروح.

◀ **تجنب التشغيل بشكل غير مقصود.** تأكد من كون العدة الكهربائية مطفاة قبل توصيلها بالتيار الكهربائي و/أو بالمركم، وقبل رفعها أو حملها. إن كنت تضع إصبعك على المفتاح أثناء حمل العدة الكهربائية أو إن وصلت الجهاز بالشبكة الكهربائية بينما لا مفتاح على وضع التشغيل، قد يؤدي إلى وقوع الحوادث.

◀ **انزع أداة الضبط أو مفتاح الربط قبل تشغيل العدة الكهربائية.** قد تؤدي الأداة أو المفتاح المتواجد في جزء دوار من الجهاز إلى الإصابة بجروح.

◀ **تجنب أوضاع الجسم غير الطبيعية.** قف بأمان وحافظ على توازنك دائما. سيسمح لك ذلك بالتمكك في الجهاز بشكل أفضل في المواقف الغير متوقعة.

◀ **قم بارتداء ثياب مناسبة.** لا ترتد الثياب الفضفاضة أو الحللى. احرص على إبقاء الشعر والملابس بعيدا عن الأجزاء المتحركة. قد تشابك الثياب الفضفاضة والحلى والشعر الطويل بالأجزاء المتحركة.

◀ **إن جاز تركيب تجهيزات شفت وتجميع الغبار، فتأكد من أنها موصولة وبأنه يتم استخدامها بشكل سليم.** قد يقلل استخدام تجهيزات لشفت الغبار من المخاطر الناتجة عن الغبار.

◀ **لا تستخدم العدة الكهربائية بلا مبالاة وتجاهل قواعد الأمان الخاصة بها نتيجة لتعودك على استخدام العدة الكهربائية وكثرة استخدامها.** فقد يتسبب الاستخدام دون حرص في حدوث إصابة بالغة تحدث في أجزاء من الثانية.

◀ **استخدام العدد الكهربائية والعناية بها**

◀ **لا تفرط بتحميل الجهاز.** استخدم لتنفيذ أشغالك العدة الكهربائية المخصصة لذلك. إنك تعمل بشكل أفضل وأكثر أمنا بواسطة العدة الكهربائية الملائمة في مجال الأداء المذكور.

◀ **لا تستخدم العدة الكهربائية إن كان مفتاح تشغيلها تالف.** العدة الكهربائية التي لم يعد من

عربي

إرشادات الأمان

تحذيرات أمان عامة للعدد الكهربائية

⚠ **تحذير** اطلع على كافة تحذيرات الأمان والتعليمات والصور والمواصفات المرفقة بالعدة الكهربائية. عدم اتباع التعليمات الواردة أدناه قد يؤدي إلى حدوث صدمة كهربائية، إلى نشوب حريق و/أو الإصابة بجروح خطيرة.

احتفظ بجميع الملاحظات التحذيرية والتعليمات للمستقبل.

يقصد بمصطلح «العدة الكهربائية» المستخدم في الملاحظات التحذيرية، العدد الكهربائية الموصولة بالشبكة الكهربائية (بواسطة كابل الشبكة الكهربائية) وأيضا العدد الكهربائية المزودة بمركم (دون كابل الشبكة الكهربائية).

الأمان بمكان الشغل

◀ **حافظ على نظافة مكان شغلك وإضاءته بشكل جيد.** الفوضى في مكان الشغل ونطاقات العمل غير المضاء قد تؤدي إلى وقوع الحوادث.

◀ **لا تشغل بالعدة الكهربائية في نطاق معرض لخطر الانفجار مثل الأماكن التي تتوفر فيه السوائل أو الغازات أو الأبخرة القابلة للاشتعال.** العدد الكهربائية تولد شررا قد يتطاير، فيشعل الأبخرة والأبخرة.

◀ **حافظ على بقاء الأطفال وغيرهم من الأشخاص بعيدا عندما تستعمل العدة الكهربائية.** تشتت الانتباه قد يتسبب في فقدان السيطرة على الجهاز.

الأمان الكهربائي

◀ **يجب أن يتلائم قابس العدة الكهربائية مع المقبس.** لا يجوز تغيير القابس بأي حال من الأحوال. لا تستعمل القوايس المهائبة مع العدد الكهربائية المؤرزة (ذات طرف أرضي). تحقق القوايس التي لم يتم تغييرها والمقابس الملائمة من خطر الصدمات الكهربائية.

◀ **تجنب ملامسة جسمك للأسطح المؤرزة كالأنابيب والمبردات والمواقد أو التلجالات.** يزداد خطر الصدمات الكهربائية عندما يكون جسمك مؤرر أو موصل بالأرضي.

◀ **أبعد العدة الكهربائية عن الأمطار أو الرطوبة.** يزداد خطر الصدمات الكهربائية إن تسرب الماء إلى داخل العدة الكهربائية.

◀ **لا تسئ استعمال الكابل.** لا تستخدم الكابل في حمل العدة الكهربائية أو سحبها أو سحب القابس من المقبس. احرص على إبعاد الكابل عن الحرارة والزيت والحواف الحادة أو الأجزاء المتحركة. تزيد الكابلات التالفة أو المتشابكة من خطر الصدمات الكهربائية.

◀ **عند استخدام العدة الكهربائية خارج المنزل** اقتصر على استخدام كابلات التمديد الصالحة للاستعمال الخارجي. يقلل استعمال كابل تمديد

- الممكن التحكم بها عن طريق مفتاح التشغيل والإطفاء تعتبر خطيرة ويجب أن يتم إصلاحها.
- ◀ **اسحب القاس من المقبس و/أو اخلع المركب، إذا كان قابلا للخلع، قبل ضبط الجهاز وقبل استبدال الملحقات أو قبل تخزين الجهاز.** تمنع هذه الإجراءات وقائية تشغيل العدة الكهربائية بشكل غير مقصود.
- ◀ **احتفظ بالعدد الكهربائية التي لا يتم استخدامها بعيدا عن متناول الأطفال.** لا تسمح باستخدام العدة الكهربائية لمن لا خبرة له بها أو لمن لم يقرأ تلك التعليمات. العدد الكهربائي خطيرة إن تم استخدامها من قبل أشخاص دون خبرة.
- ◀ **اعتن بالعدة الكهربائية والملحقات بشكل جيد.** تأكد أن أجزاء الجهاز المتحركة مركبة بشكل سليم وغير مستعصية عن الحركة، وتفحص ما إن كانت هناك أجزاء مكسورة أو في حالة تؤثر على سلامة أداء العدة الكهربائية. ينبغي إصلاح هذه الأجزاء التالفة قبل إعادة تشغيل الجهاز. الكثير من الحوادث مصدرها العدد الكهربائية التي تتم صيانتها بشكل رديء.
- ◀ **احرص على إبقاء عدد القطع نظيفة وحادة.** إن عدد القطع ذات حواف القطع المادة التي تم صيانتها بعناية تتكلم بشكل أقل ويمكن توجيهها بشكل أيسر.
- ◀ **استخدم العدد الكهربائية والتوابع وريش الشغل إلخ. وفقا لهذه التعليمات.** تراعى أثناء ذلك ظروف الشغل والعمل المراد تنفيذه. استخدام العدد الكهربائية لغير الأشغال المخصصة لأجلها قد يؤدي إلى حدوث الحلات الخطيرة.
- ◀ **احرص على إبقاء المقابض وأسطح المسك جافة ونظيفة وخالية من الزيوت والشحوم.** المقابض وأسطح المسك الزلقة لا تتبع التشغيل والتحكم الآمن في العدة في المواقف غير المتوقعة.
- الخدمة**
- ◀ **احرص على إصلاح عدتك الكهربائية فقط بواسطة العمال المتخصصين وباستعمال قطع الغيار الأصلية فقط.** يضمن ذلك المحافظة على أمان الجهاز.
- تحذيرات الأمان الخاصة بمناشير التلسين**
- ◀ **مناشير التلسين مخصصة لقطع الأخشاب أو المنتجات الشبيهة بالأخشاب، ولا يمكن استخدامها مع أقراص القطع السمجية لقطع المواد الحديدية مثل القضبان والسيقان والجيوبات المعدنية وخلافه.** ويسبب الغبار الخشن انحصار الأجزاء المتحركة مثل الواقية السفلية. كما أن الشرر الناجم عن القطع السمجي يؤدي لاحتراق الواقية السفلية، وولجة الشق والأجزاء البلاستيكية الأخرى.
- ◀ **استخدم قامطات لتدعيم قطعة الشغل إن أمكن ذلك.** وفي حالة تدعيم قطعة الشغل بيدك، فيجب أن تبعد يدك دائما عن جانبي شفرة المنشار لمسافة لا تقل عن 100 مم. لا تستخدم هذا المنشار لقطع قطع صغيرة
- للغاية لدرجة يصعب معها قمتها بإحكام أو تثبيتها باليد. إذا وضعت يدك على مسافة قريبة للغاية من نصل المنشار، فسيكون هناك خطر متزايد من التعرض للإصابة من جراء ملامسة الشفرة.
- ◀ **يجب أن تكون قطعة الشغل ثابتة ومحكمة التثبيت بقامطة أو مثبتة باتجاه كلا من المصد والطاوله. لا تقم بتمرير قطعة الشغل على الشفرة ولا تقطع بأي حال من الأحوال «بدون وسائل مساعدة».** فقطع الشغل غير المثبتة أو المتحركة قد تندفع عند العمل بالسرعات العالية، مما يتسبب في التعرض لإصابات.
- ◀ **ادفع المنشار عبر قطعة الشغل.** ولا تجذب المنشار عبر قطعة الشغل. لعمل قطعية، ارفع رأس المنشار واسحبها فوق قطعة الشغل دون إجراء قطع، ثم أدر المركب، واضغط على رأس المنشار لأسفل وادفع المنشار عبر قطعة الشغل. أما القطع من خلال شوط سحب فسوف يتسبب على الأرجح في صعود شفرة المنشار فوق قطعة الشغل واندفاع مجموعة الشفرة بعنف باتجاه المشغل.
- ◀ **لا تضع يدك في وضع متقاطع فوق خط القطع المقرر سواء أمام أو خلف شفرة المنشار.** حيث إن تدعيم قطعة الشغل «بيد في وضع متقاطع» أي تثبيت قطعة الشغل بيدك اليسرى على يمين شفرة المنشار أو العكس يعد أمرا خطيرا للغاية.
- ◀ **لا تمد إحدى يديك خلف المصد لمسافة تقل عن 100 مم من جانبي شفرة المنشار، لإزالة نشارة الخشب أو لأي سبب آخر أثناء دوران الشفرة.** حيث إن اقتراب شفرة المنشار الدوارة من يدك قد لا يكون واضحا وقد تتعرض لإصابة بالغة.
- ◀ **افحص قطعة الشغل الخاصة بك قبل القطع.** إذا كانت قطعة الشغل مقوسة أو ملتوية، فقم بقمطها باستخدام الجانب المقوس للخارج باتجاه المصد. وتأكد دائما من عدم وجود فجوة بين قطعة الشغل والمصد والطاوله على طول خط القطع. قطع الشغل المثنية أو الملتوية يمكن أن تنحرف أو تتحرك وقد تتسبب في إعاقة حركة شفرة المنشار الدوارة أثناء القطع. وينبغي ألا يكون هناك أية مسامير أو أجسام غريبة في قطعة الشغل.
- ◀ **لا تستخدم المنشار حتى يتم إخلاء الطاولة من جميع الأدوات ونشارة الخشب وخلافه، بحيث لا يبقى سوى قطعة الشغل.** فالعوائق الصغيرة أو القطع الخشبية السائبة أو الأجسام الأخرى التي تتلامس مع الشفرة الدوارة يمكن أن تتطاير بسرعة عالية.
- ◀ **اقطع قطعة شغل واحدة فقط في كل مرة.** حيث إن قطع الشغل العديدة المتراكمة لا يمكن قمتها أو تدعيمها كما ينبغي، وقد تتسبب في إعاقة حركة شفرة المنشار أو قد تنحرف أثناء القطع.
- ◀ **تأكد أن منشار التلسين مركب أو موضوع على سطح عمل مستو وثابت قبل الاستخدام.** فسطح العمل المستوي والثابت يقلل من خطر عدم اتزان منشار التلسين.

- ◀ **النشر يدويًا إلى أعلى موضع.** في حالة تحرك رأس النشر دون تحكم فقد يؤدي هذا إلى نشوء خطر إصابة.
- ◀ **حافظ على نظافة مكان العمل.** كما أن اختلاط المواد بعضها ببعض أمر خطير جداً. حيث يمكن أن يشتعل غبار المعدن الخفيف أو ينفجر.
- ◀ **لا تستخدم أنصال المنشار الثالمة أو المتشققة أو المتوتبة أو التالفة.** فأنصال المنشار ذات الأسنان الثالمة أو المتراصفة بشكل خاطئ تتسبب من جراء شق النشر الشديد الضيق بالاحتكاك الزائد وبانقماط نصل المنشار وبالصددمات الارتدادية.
- ◀ **لا تستخدم أنصال المنشار المصنوعة من الفولاذ العالي الأشابة المناسب للسرعات العالية (فولاذ HSS).** فأنصال المنشار هذه قد تنكسر بسهولة.
- ◀ **احرص دائماً على استخدام أنصال ذات شكل ومقاس صحيحين (ماسي مقابل مستدير) للتجاويف الوسطى.** أنصال المنشار غير المناسبة لأجزاء تركيب المنشار ستدور بشكل حاد عن المركز مما يتسبب في فقدان التحكم.
- ◀ **لا تبعد بقايا القص أو نشارة الخشب أو ما شابه عن مجال القطع أبداً أثناء تشغيل العدة الكهربائية.** وجه دائماً ذراع العدة إلى وضع الاستراحة أولاً، ثم اطفئ العدة الكهربائية.
- ◀ **لا تلمس نصل المنشار بعد العمل، قبل أن يبرد.** يسخن نصل المنشار أثناء العمل بشدة.
- ◀ **العدة الكهربائية ماردة مع لافتة تحذير الليزر (انظر الجدول «الرموز ومعانيها»).**
- ◀ **إذا لم يكن الكلام المكتوب في اللافتة التحذيرية لليزر بلغة بلدك، قم بلصق اللافتة المرفقة بلغة بلدك عليه قبل التشغيل للمرة الأولى.**

- ◀ **لا تلمس اللافتات التحذيرية على العدة الكهربائية أبداً.**

- ◀ **لا توجه شعاع الليزر على الأشخاص أو الحيوانات ولا توجه نظرك إلى شعاع الليزر المباشر أو المنعكس.** حيث يتسبب ذلك في إبهار الأشخاص أو في وقوع حوادث أو حدوث أضرار بالعينين.
- ◀ **في حالة سقوط أشعة الليزر على العين، فقم بغلقها على الفور، وأبعد رأسك عن شعاع الليزر.**
- ◀ **لا تقم بإجراء تغييرات على جهاز الليزر.** يمكنك استخدام إمكانات الضبط الواردة في دليل التشغيل دون خطورة.
- ◀ **لا تدع الأطفال يستخدمون العدة الكهربائية دون مراقبة.** قد تسبب عمى لنفسك أو لأشخاص آخرين دون قصد



الرموز

قد تكون الرموز التالية ذات أهمية من أجل استعمال عدتك الكهربائية. يرجى حفظ الرموز ومعناها. يساعدك تفسير الرموز بشكل صحيح على استعمال عدتك الكهربائية بطريقة أفضل وأكثر أماناً.

- ◀ **قم بتخطيط عملك.** كل مرة تقوم فيها بتغيير وضع ضبط زاوية القطع المائل أو المشطوف، تأكد أن المصد القابل للضبط مضبوط بشكل صحيح لتدعيم قطعة الشغل ولكي لا يتداخل مع الشفرة أو نظام الحماية. دون «تشغيل» الجهاز ودون وضع قطعة شغل على الطاولة، قم بتحريك شفرة المنشار لمحاكاة عملية قطع كاملة وذلك لضمان عدم حدوث تداخل أو خطر تعرض المصد للقطع.

- ◀ **قم بتوفير وسيلة تدعيم مناسبة مثل تطويلات الطاولة وحوامل المنشار وخلافه لقطعة الشغل التي يزيد عرضها أو طولها عن سطح الطاولة.** قطع الشغل التي يزيد طولها أو عرضها عن طاولة منشار التلسين يمكن أن تنقلب إذا لم يتم تدعيمها بإحكام. في حالة انقلاب قطعة الشغل أو القطعة المقطوعة، فإنها قد تتسبب في رفع الواقية السفلية أو تطايرها بفعل الشفرة الدوارة.

- ◀ **لا تستخدم شخص آخر كبديل لتطويلة الطاولة أو كتدعيم إضافي.** فالتدعيم غير المتزن لقطعة الشغل يمكن أن يتسبب في إعاقة حركة الشفرة أو انحراف قطعة الشغل أثناء عملية القطع ومن ثم سحب أنت ومعاونك نحو الشفرة الدوارة.

- ◀ **يجب ألا يتم زلق أو ضغط القطعة المقطوعة بأية وسائل في مواجهة شفرة المنشار الدوارة.** فإذا كانت المسافة محدودة، أي في حالة استخدام مصدات طول، فقد تنمشر القطعة المقطوعة بمواجهة الشفرة وتندفع بقوة.

- ◀ **استخدم دائماً قامة أو وسيلة تثبيت مصممة لتدعيم المواد المستديرة بشكل صحيح مثل القضبان أو الأنابيب.** حيث تميل القضبان للتدريج أثناء قطعها، مما يتسبب في قيام الشفرة «بعضات» ومن ثم سحب قطعة الشغل ويدك نحو الشفرة.

- ◀ **دع الشفرة تصل إلى سرعتها القصوى قبل ملاستها لقطعة الشغل.** فهذا يقلل من خطر تعرض قطعة الشغل للانفعال.

- ◀ **وإذا تعرضت قطعة الشغل أو الشفرة للانحصار، فأوقف منشار التلسين.** وانتظر حتى تتوقف جميع الأجزاء المتحركة وافصل القابس عن مصدر الإمداد بالكهرباء و/أو أخرج البطارية. ثم اعمل على تحرير المادة المنحصرة. أما مواصلة النشر بينما قطعة الشغل منحصرة فقد يتسبب في فقدان السيطرة على منشار التلسين أو حدوث ضرر به.

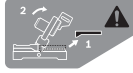
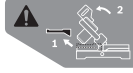
- ◀ **بعد انتهاء القطع، اترك المفتاح، وقم بإنزال رأس المنشار لأسفل وانتظر حتى تتوقف الشفرة قبل إزالة القطعة المقطوعة.** تقرب يدك من الشفرة المستمرة في الدوران يعد أمراً خطيراً.

- ◀ **أمسك المقبض جيداً عند عمل قطعة غير كاملة أو عند ترك المفتاح قبل أن تصبغ رأس المنشار بالكامل في الوضع السفلي.** فقد تتسبب حركة كبح المنشار في جذب رأس المنشار بشكل مفاجئ لأسفل، مما يتسبب في خطر التعرض للإصابة.

- ◀ **لا تترك المقبض اليدوي عند وصول رأس النشر إلى أدنى موضع.** قم دائماً بإرجاع رأس

الرموز ومعناها

عند نشر زوايا الشطب العمودية، يجب خلع سكة المصادمة اليسرى أو اليمنى القابلة للضبط.



وصف المنتج والأداء

اقرأ جميع إرشادات الأمان والتعليمات. ارتكاب الأخطاء عند تطبيق إرشادات الأمان والتعليمات، قد يؤدي إلى حدوث صدمات كهربائية أو إلى نشوب الحرائق و/أو الإصابة بجروح خطيرة.



يرجى الرجوع إلى الصور الموجودة في الجزء الأول من دليل التشغيل.

الاستعمال المخصص

العدة الكهربائية مخصصة لعمل القطوع المستقيمة الطولية والعرضية في الخشب كجهاز ثابت. حيث يمكن تنفيذ زوايا شطب أفقية من -47° حتى +52° وزوايا شطب رأسية من 45° (ناحية اليسار) حتى 45° (ناحية اليمين).

لقد تم تحديد قدرة العدة الكهربائية من أجل نشر الخشب الصلب والظري وأيضاً ألواح ألياف الخشب والخشب المضغوط.

يجوز نشر مجسمات الألمنيوم وللدائن عند استخدام شفرات المنشار الملائمة.

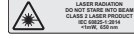
الأجزاء المصورة

يشير ترقيم الأجزاء المصورة إلى الصورة المعروضة للعدة الكهربائية في صفحة الرسوم.

- (1) لولب تثبيت تجهيزة السحب
- (2) تجهيزة سحب
- (3) لافتة تحذير الليزر
- (4) مقبض النقل
- (5) مقبض يدي
- (6) قفل تشغيل مفتاح التشغيل والإطفاء
- (7) غطاء الوقاية
- (8) غطاء وقاية متأرجع
- (9) تجاويف التركيب
- (10) صفيحة التلقيم
- (11) زر تثبيت زاوية الشطب (أفقياً)
- (12) مقبض تثبيت لزوايا الشطب المرغوبة (أفقياً)
- (13) زر تثبيت زاوية الشطب (عمودياً)
- (14) مؤشر زاوية لزوايا الشطب (أفقياً)
- (15) حوزر توقيف لزوايا الشطب القياسية (أفقياً)
- (16) امتداد قاعدة المنشار
- (17) مسند قطعة الشغل^a
- (18) سكة المصادمة الثابتة

الرموز ومعناها

أشعة الليزر
لا تنظر إلى الشعاع
فئة الليزر 2



لا تقترب بيديك من نطاق النشر أثناء عمل العدة الكهربائية. قد تحدث إصابات عند ملامسة شفرة المنشار.



قم بارتداء قناع للوقاية من الغبار.



قم بارتداء نظارات واقية.



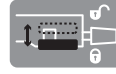
قم بارتداء واقية سمع. قد يؤدي تأثير الضجيج إلى فقدان قدرة السمع.



نطاق الخطر! حافظ على إبعاد اليدين والأصابع والذراعين عن هذا النطاق قدر الإمكان.



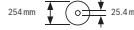
لضبط أي زاوية شطب عمودية، يجب أن يكون ذراع العدة حر الحركة.



زر التثبيت مسحوب لأعلى: يمكن ضبط زوايا شطب مائل عمودية.

زر التثبيت مضغوط لأسفل: يتم الحفاظ على زاوية الشطب العمودية التي تم ضبطها.

تراعى مقاسات شفرة المنشار. يجب أن يتلاءم قطر الثقب مع محور دوران العدة دون وجود نسبة تفاوت. إذا كان من الضروري استخدام قطع التصغير احرص على أن تلائم أبعاد قطعة التصغير سمك الشفرة الفولاذية و قطر الثقب الخاص بشفرة المنشار بالإضافة لقطر محور دوران العدة. استخدم قدر الإمكان قطع التصغير الموردة مع شفرة المنشار.



يجب أن يطابق قطر شفرة المنشار الرقم الموجود على الرمز.

- (19) سكة مصادمة قابلة للضبط
(20) الملزمة
(21) زر ضبط زاوية الشطب °0 (عموديًا)
(22) محدد العمق
(23) لولب ضبط محدد العمق
(24) مفتاح سداسي الرأس المجوف
(25) وسيلة تأمين النقل
(26) المصادم الطولي
(27) تجاويف المسك
(28) تجاويف للتثبيت الأفقي
(29) قاعدة المنشار
(30) مقياس زوايا الشطب (أفقيًا)
(31) وافية الانقلاب
(32) بكرة انزلاقية
(33) قفل محور الدوران
(34) فتحة خروج أشعة الليزر
(35) مفتاح التشغيل والإطفاء
(36) مفتاح التشغيل والإطفاء لليزر (علامة خط القطع)
(37) مقذف النشارة
(38) لولب مجنح لتثبيت سكة المصادمة القابلة للضبط
(39) ثوب للملزمة
(40) لولب مصادمة لمجال زاوية الشطب اليميني (عموديًا)
(41) مصادم لزوايا الشطب القياسية °45 و °22,5 و °33,9 (عموديًا)
(42) لولب زنق لامتداد قاعدة المنشار
(43) لولب تأمين امتداد منضدة النشر
(44) حاضن مسند قطعة الشغل (على العدة الكهربائية)
(45) حاضن لمسند قطعة الشغل الثاني (على مسند قطعة الشغل)
(46) كيس الغبار
(47) لولب مسدس الحواف داخليًا لتثبيت شفرة المنشار
(48) شفة الشد
(49) شفرة المنشار
(50) شفة شد داخليه
(51) لولب مجنح لمواءمة ارتفاع القضيب الملولب
(52) قضيب ملولب
(53) لولب مجنح للملزمة
(54) خوابير الملزمة
(55) مؤشر زاوية لزوايا الشطب (عموديًا)
(56) تدرج زوايا الشطب (عموديًا)
(57) لولب زنق المصادم الطولي
(58) سكة توجيه المصادم الطولي
(59) لولب مجنح لتثبيت سكة توجيه المصادم الطولي

البيانات الفنية

GCM 254 D		منشار ألواح
3 601 M53 0..		رقم الصنف
1800	واط	قدرة الدخل الاسمية
4800	لفة/ دقيقة	عدد اللفات للاحملي
650	نانومتر	طراز الليزر
1 >	ملي وا ط	
2		فئة الليزر
17,9	كجم	الوزن
II/□		فئة الحماية
مقاسات شفرات المنشار الملائمة		
254	مم	قطر شفرة المنشار
1,4-2,5	مم	سمك الشفرة
3	مم	أقصى عرض للقطع
25,4	مم	قطر الفجوة

مقاسات قطعة الشغل المسموح بها (الحد الأقصى/الحد الأدنى): (انظر „مقاسات قطعة الشغل المسموح بها“، الصفحة 119)
تسري البيانات على جهد اسمي [U] يبلغ 230 فولت. قد تختلف تلك البيانات حسب اختلاف الجهد والطرارات الخاصة بكل دولة.

بقي الجهاز بمتطلبات المواصفة IEC 61000-3-11 وهو عرضة للتوصيل المشروط. يمكن أن يؤدي الجهاز إلى تقلبات عرضية في الجهد في ظل ظروف الطاقة الكهربائية غير المواتية. تم ضبط مقاومة هذا الجهاز بحيث تكون قيمة Z المقابلة = 0,094 أوم. يجب على المستخدم التأكد من أن نقطة الاتصال مع المقاومة Z المقابلة، التي ينبغي توصيل القابس بها تبقى بمتطلبات المقاومة: Z المقابلة ≤ Z المقبول. إذا كانت قيمة Z المقبول غير معروفة، فقم بتحديد قيمة Z المقبول بالتشاور مع شركة الإمداد بالكهرباء أو الهيئة الحكومية للإمداد بالكهرباء.

قد تختلف القيم حسب المنتج وظروف الاستخدام والبيئة. المزيد من المعلومات على موقع الإنترنت www.bosch-professional.com/wac

التركيب

- ◀ تجنب تشغيل العدة الكهربائية بشكل غير مقصود. لا يجوز أن يكون كابل الشبكة الكهربائية موصولاً بالامداد بالكهرباء أثناء التركيب وأثناء إجراء مجمل الأعمال على العدة الكهربائية.

نطاق التوريد



راجع عرض مجموعة التجهيزات الموردة الوارد في بداية دليل التشغيل.

- تأكد قبل تشغيل العدة الكهربائية للمرة الأولى، إنه قد تم توريد جميع الأجزاء المذكورة أدناه:
- منشار الألواح مع نصل منشار مركب
- كيس الغبار (46)
- مسند قطعة الشغل (17) (2 قطعة)
- (غير متوفر في بعض الطرازات الخاصة ببلدان معينة).
- الملزمة (20)
- مفتاح سداسي الرأس المجوف (24)
- مثلث زاوي (62)
- امتداد منضدة النشر (16) (2 قطعة)

ملاحظة افحص العدة الكهربائية من حيث وجود أي أضرار محتملة.

يجب فحص تجهيزات الوقاية أو الأجزاء التي تعرضت لضرر طفيف فحصاً دقيقاً، للتأكد من أدائها لوظيفتها بشكل سليم وفقاً للتعليمات. تأكد من أن الأجزاء المتحركة تعمل بشكل سليم وأنها غير منقطة، أو إن كانت هناك أية أجزاء تالفة. يجب أن تكون جميع الأجزاء مركبة بشكل صحيح وأن تلي جميع الشروط من أجل ضمان العمل بشكل سليم. يجب أن يتم تصليح أو استبدال تجهيزات الوقاية والقطع التالفة بالشكل المطلوب من خلال ورشة خدمة متخصصة.

تركيب الأجزاء المفردة

- انزع جميع الأجزاء المرفقة عن التغليف بحرص.
- انزع كل مواد التغليف عن العدة الكهربائية وعن النوايع المرفقة.
- يراعى لتسهيل العمل عند تركيب عناصر الجهاز الموردة أن تكون العدة الكهربائية في وضع النقل.

تركيب امتداد قاعدة المنشار (انظر الصورة أ)

يمكن تركيب امتداد منضدة النشر على يمين ويسار العدة الكهربائية لزيادة عرض منضدة النشر بشكل إضافي.

- قم بفك لولب التأمين (43) باستخدام مفك البراغي المتصالب من امتداد منضدة النشر.
- قم بقلب العدة الكهربائية.
- حرك امتداد منضدة النشر (16) على جانبي العدة الكهربائية حتى النهاية في التجاويف المخصصة.
- للتأمين ضد الخلع اربط لولب التأمين (43) مرة أخرى في امتداد منضدة النشر.

تركيب مساند قطعة الشغل (انظر الصورة A2)

يمكن تركيب مساند قطعة الشغل (17) على يسار أو يمين أو أمام العدة الكهربائية. يتبع لك نظام التوصيل المرن مجموعة متنوعة من أوضاع الإطالة أو التوسيع (انظر الصورة G).

- قم حسب الحاجة بإدخال مسند قطعة الشغل (17) في الحواضن (44) على العدة الكهربائية أو في الحواضن (45) الخاصة بمسند قطعة الشغل الثاني.

◀ لا تحمل العدة الكهربائية مطلقاً من مساند قطعة الشغل.
استخدم تجهيزات النقل دائماً عند نقل العدة الكهربائية.

التركيب المركزي الثابت أو المتحرك

◀ يجب أن يتم تركيب العدة الكهربائية على سطح عمل مستو وثابت (منضدة عمل مثلاً) قبل البدء بالعمل لضمان الاستعمال الآمن.

التركيب على سطح عمل (انظر الصورة B1-B2)

- قم بتثبيت العدة الكهربائية على سطح العمل بواسطة لولب الربط مناسبة. يتم ذلك عن طريق الثقب (9).

و/

- قم بتثبيت أقدم العدة الكهربائية على سطح العمل بإحكام عن طريق قمتها بالملازم المتداولة.

التركيب على منضدة بوش للعمل

تتيح طاوولات عمل GTA من شركة بوش وضعية ثابتة للعدة الكهربائية على كافة أنواع الأرضيات وذلك من خلال الأقدام القابلة لضبط الارتفاع. إن مساند قطعة الشغل بطاوولات العمل تساعد على إسناد قطع الشغل الطويلة.

اقرأ جميع ملاحظات التحذير والتعليمات

المرفقة بمنضدة العمل. إن التقصير بالمحافظة على الملاحظات التحذيرية والتعليمات قد تكون من عواقبه الصدمات الكهربائية، اندلاع المريق و/أو الإصابة بجروح خطيرة.

انصب منضدة العمل بالشكل الصحيح قبل

- تركيب العدة الكهربائية. إن التركيب بشكل سليم هام جداً من أجل تجنب خطر الانهدام.
- ركب العدة الكهربائية بوضع النقل على طاولة العمل.

الوضع المرن (لا ينصح به!) (انظر الصورة B3)

إذا تعذر في أحوال استثنائية تركيب العدة الكهربائية على سطح عمل ثابت ومستو، يمكنك نصبها مؤقتاً مع استخدام واقية الانقلاب.

◀ دون استخدام واقية الانقلاب تصبح العدة الكهربائية غير ثابتة، حيث يمكن أن تنقلب خاصة عند النشر من أقصى زوايا الشطب الأفقية و/أو العمودية.

- قم بربط واقية الانقلاب (31) أو فكها، حتى تستوي العدة الكهربائية تماماً على سطح العمل.

شفط الغبار/النشارة

إن غبار بعض المواد كالطلاء الذي يحتوي على الرصاص، وبعض أنواع الشبب والفلزات والمعادن، قد تكون مضرّة بالصحة. إن ملامسة أو استنشاق غبار قد يؤدي إلى أعراض حساسية و/أو إلى أمراض الجهاز التنفسي لدى المستخدم أو لدى الأشخاص المتواجدين على مقربة من المكان. تعتبر بعض الأغبرة المعينة، كأغبرة البلوط والزنان،

استعمل فقط أنصال المنشار التي ينصح باستعمالها منتج هذه العدة الكهربائية والتي تصلح للاستعمال مع مواد الشغل المرغوب معالجتها. يعمل هذا على منع تعرض أسنان المنشار إلى الحرارة المفرطة أثناء النشر.

فك شفرة المنشار

- اضبط العدة الكهربائية بوضعية الشغل.
- حرك غطاء الوقاية المتأرجح (8) إلى الخلف، وحافظ على إبقاء غطاء الوقاية المتأرجح في هذا الوضع.
- اربط اللولب سداسي الرأس المجوف (47) بواسطة المفتاح سداسي الرأس المجوف (8 مم) (24) واضغط بنفس الوقت على قفل محور الدوران (33) إلى أن يتعشق.
- احتفظ بقفل محور الدوران (33) مضغوطا وقم بفك اللولب سداسي الرأس المجوف (47) بإدارته في اتجاه حركة عقارب الساعة (أسنان اللولبة يسرى).
- اخلع فلانشة الشد (48).
- وأخرج شفرة المنشار (49).
- حرك غطاء الوقاية المترجع نحو الأسفل ببطء.

تركيب شفرة المنشار

- ◀ **يراعى أثناء التركيب أن يتوافق اتجاه قص الأسنان (اتجاه السهم على نصل المنشار) مع اتجاه السهم على غطاء الوقاية!**
- نظف جميع الأجزاء المطلوب تركيبها قبل التركيب عند الضرورة.
- حرك غطاء الوقاية المتأرجح (8) إلى الخلف، وحافظ على إبقاء غطاء الوقاية المتأرجح في هذا الوضع.
- قم بتركيب شفرة المنشار الجديدة على فلانشة الشد الداخلية (50).
- قم بتركيب فلانشة الشد (48) واللولب سداسي الرأس المجوف (47). اضغط على قفل محور الدوران (33) إلى أن يثبت، وقم بربط اللولب سداسي الرأس المجوف بإدارته عكس اتجاه عقارب الساعة.
- وجه غطاء الوقاية المترجع نحو الأسفل بتمهل.

التشغيل

◀ **اسحب القابض من مقبس الشبكة الكهربائية قبل إجراء أي عمل على العدة الكهربائية.**

قفل النقل (انظر الصورة E)

- يتيح لك قفل النقل (25) التعامل مع العدة الكهربائية بشكل أسهل عند نقلها إلى أماكن مختلفة.
- ◀ **فك تأمين العدة الكهربائية (وضع العمل)**
- اضغط ذراع العدة من المقبض (5) إلى أسفل بعض الشيء لتخفيف التحميل من على قفل النقل (25).
- اسحب قفل النقل (25) إلى الخارج تماما.
- وجه ذراع العدة إلى الأعلى ببطء.
- ◀ **تأمين العدة الكهربائية (وضع النقل)**
- قم بفك لولب التثبيت (1) إذا كان يقمط تجهيزة السحب (2). اسحب ذراع العدة للأمام تماما، ثم

مسببة للسرطان، ولا سيما عند الارتباط بالمواد الإضافية لمعالجة الخشب (ملع جامض الكروميك، المواد الحافظة للخشب). يجوز أن يتم معالجة المواد التي تحتوي على الأسبستوس من قبل العمال المتخصصين فقط دون غيرهم.

- استخدم شافطة غبار ملائمة للمادة قدر الإمكان.
- حافظ على تهوية مكان الشغل بشكل جيد.
- ينصح بارتداء قناع وقاية للتنفس بفئة المرشح P2. تراعى الأحكام السارية في بلدكم بالنسبة للمواد المرغوب معالجتها.
- ◀ **تجنب تراكم الغبار بمكان العمل.** يجوز أن تشتعل الأغبرة بسهولة.
- قد تستعصي شافطة الغبار/النشارة من خلال الغبار أو النشارة أو أجزاء صغيرة من قطعة الشغل.
- اطفئ العدة الكهربائية واسحب قابس الشبكة الكهربائية من المقبض.
- انتظر إلى أن تتوقف شفرة المنشار عن الحركة تماما.
- ابحث عن سبب الاستعصاء واعمل على إزالته.

الشفط الذاتي (انظر الصورة C)

- استخدم كيس الغبار من أجل جمع النشارة بسهولة (46) (توابع).
- قم بتركيب كيس الغبار (46) على مقذف النشارة (37).
- لا يجوز أن يتلامس كيس الغبار أثناء النشر مع أجزاء الجهاز الدوارة أبدا.
- أفرغ كيس الغبار في الوقت المناسب.
- ◀ **افحص ونظف كيس الغبار بعد كل استعمال.**
- ◀ **فك كيس الغبار عند نشر الألمنيوم لتجنب خطر اندلاع الحرائق.**

الشفط الخارجي

- للشفط يمكن أيضا تركيب خرطوم شافطة (35 مم) على مقذف النشارة (37).
- يجب أن تصلح شافطة الغبار الخوئية للاستعمال مع مادة الشغل المرغوب معالجتها.
- استخدم شافطة غبار خوئية خاصة عند شفط الأغبرة المضرة بالصحة أو المسببة للسرطان أو الشديدة الجفاف.

تغيير شفرة المنشار (انظر الصورة

D1-D4)

- ◀ **اسحب القابض من مقبس الشبكة الكهربائية قبل إجراء أي عمل على العدة الكهربائية.**
- ◀ **ارتد قفازات واقية عند تركيب نصل المنشار.** تؤدي ملامسة شفرة المنشار إلى خطر التعرض للإصابة.
- استخدم فقط نصال المنشار التي تزيد سرعتها القصوى المسموحة عن عدد الدوران اللاحملي بالعدة الكهربائية.
- اقتصر على استخدام شفرات المنشار التي توافق البيانات المذكورة في دليل الاستعمال هذا، والمختبرة وفقا للمواصفة EN 847-1، والتي تم تمييزها وفقا لذلك.

- قم بتركيب الملزمة الموردة (20) في أحد الثقوب المخصصة لذلك (39).
- قم بفك اللولب المجنع (51) وبمواصلة الملزمة مع قطعة الشغل. أعد شد اللولب المجنع بإحكام.
- أحكم ربط القضيب المولوب (52) وبذلك تقوم بتثبيت قطعة الشغل.
- التثبيت الأفقي**
- قم بفك اللولب المجنع (53) واسحب الملزمة عن بعضها البعض.
- قم بتركيب الملزمة "المخفضة" (20) باستخدام الخوابير (54) في أحد الثقوب المخصصة لذلك (28).
- اضغط قطعة الشغل بإحكام على منضدة النشر (29).
- أحكم ربط القضيب المولوب (52) وبذلك تقوم بتثبيت قطعة الشغل.
- حل قطعة الشغل**
- لفك الملزمة أدر القضيب المولوب (52) عكس اتجاه حركة عقارب الساعة.

ضبط زوايا الشطب الأفقية

- اضبط العدة الكهربائية بوضعية الشغل.

ضبط زوايا الشطب الأفقية القياسية (انظر الصورة J)

للضبط السريع والدقيق لزوايا الشطب الأفقية المستخدمة غالباً على حوز قاعدة المنشار (15):

اليسار	اليمن
0°	0°

45°, 22,5°, 15°

- قم بفك مقبض التثبيت (12)، في حالة ربطه.
- اضغط زر التثبيت (11) لأسفل وأدر منضدة النشر (29) بواسطة مقبض التثبيت نحو اليسار أو اليمين إلى أن يشير مؤشر الزاوية (14) إلى زاوية الشطب القياسية الأفقية المرغوبة.
- اترك زر التثبيت (11) مرة أخرى. ينبغي أن تتعاشق منضدة النشر بمز التوقيف بشكل محسوس.
- قم بربط مقبض التثبيت (12) مرة أخرى.

ضبط زوايا الشطب الأفقية المرغوبة

- يمكن ضبط زاوية الشطب المائل الأفقية في نطاق يبلغ 47° (ناحية اليسار) حتى 52° (ناحية اليمين).
- قم بفك مقبض التثبيت (12)، في حالة ربطه.
- اضغط زر التثبيت (11) لأسفل وأدر منضدة النشر (29) بواسطة مقبض التثبيت نحو اليسار أو اليمين إلى أن يشير مؤشر الزاوية (14) إلى زاوية الشطب الأفقية المرغوبة.
- اترك زر التثبيت (11) مرة أخرى.
- قم بربط مقبض التثبيت (12) مرة أخرى.

ضبط زوايا الشطب العمودية

- يمكن ضبط زاوية الشطب المائل الرأسية في نطاق يبلغ 45° (ناحية اليسار) حتى 45° (ناحية اليمين).
- للضبط السريع والدقيق لزوايا الشطب العمودية المستخدمة غالباً، تم تحديد مصادمات للزوايا 0° و 22,5° و 33,9° و 45°.

- اجذب لولب التثبيت مرة أخرى للخلف لتثبيت تجهيزة السحب.
- اربط لولب الضبط (23) إلى الأعلى تماما.
- قم بشد مقبض التثبيت (12) لتثبيت شفرة المنشار (29).
- حرك ذراع العدة من المقبض (5) إلى أسفل إلى أن يصبع من الممكن ضغط قفل النقل (25) إلى الداخل تماما.
- لقد تم تثبيت ذراع العدة الآن للنقل بشكل آمن.

التمهيد للعمل

- ينبغي أن يتم فحص الضبط الأساسي بالعدة الكهربائية بعد الاستعمال المكثف وإعادة ضبطها عند الضرورة للمحافظة على دقة القص.
- إنك بحاجة إلى الخبرة وللعدد الخاصة الموافقة لتنفيذ ذلك.
- ينفذ مركز خدمة عملاء بوش هذا العمل بشكل سريع وموثوق به.

إطالة/توسيع منضدة النشر (انظر الصور F-G)

- يجب أن تسند قطع الشغل الطويلة والثقيلة من طرف نهايتها السائبة أو أن تضع شيئاً ما تحتها.
- يمكن إطالة منضدة النشر باستخدام امتداد قاعدة المنشار (16) نحو اليسار أو اليمين.
- قم بفك لولب الزنق (42).
- قم بسحب امتداد قاعدة المنشار (16) إلى الخارج لحين الوصل للطول المرغوب.
- لتثبيت امتداد قاعدة المنشار أعد ربط لولب الزنق (42).

يتبع لك نظام التوصيل المرن الخاص بمساند قطعة الشغل (17) مجموعة متنوعة من أوضاع الإطالة أو التوسيع.

- قم حسب الحاجة بإدخال مسند قطعة الشغل (17) في الحواضن (44) على العدة الكهربائية أو في الحواضن (45) الخاصة بمسند قطعة الشغل الثاني.

لا تحمل العدة الكهربائية مطلقاً من مساند قطعة الشغل.

استخدم تجهيزات النقل دائماً عند نقل العدة الكهربائية.

خلع سكة المصادمة (انظر الصورة H)

- عند النشر من زوايا شطب عمودية، يجب خلع سكة المصادمة اليسرى أو اليمنى القابلة للضبط (19).
- قم بخل اللولب المجنحة (38).
- اخلع سكة المصادمة القابلة للضبط (19).
- بعد نشر زاوية شطب عمودية، أعد تركيب سكة المصادمة القابلة للضبط (19) وأحكم ربط اللولب المجنحة (38).

تثبيت قطعة الشغل (انظر الصور I3-I1)

- يجب أن يتم تثبيت قطعة الشغل بإحكام دائماً من أجل ضمان أمان مثالي أثناء الشغل.
- لا تعالج قطع الشغل الصغيرة لدرجة لا تسمح بقمطها.
- تثبيت عمودي**
- اضغط قطعة الشغل نحو سلك المصادمة (18) و (19).

التشغيل (انظر الصورة L)

- لغرض تشغيل العدة الكهربائية اضغط أولاً على مانع التشغيل (6). بعد ذلك اضغط على مفتاح التشغيل والإطفاء (35) واحتفظ به مضغوطاً.
- ملحوظة** لا يمكن تثبيت مفتاح التشغيل والإطفاء (35) لأسباب متعلقة بالأمان، بل يجب أن يتم ضغطه طوال فترة التشغيل.
- الإطفاء**
- لغرض الإطفاء اترك مفتاح التشغيل/الإطفاء (35).

النشر

ملاحظات نشر عامة

- ◀ قبل النشر، أحكم ربط مقبض التثبيت (12) واضغط زر التثبيت (13) لأسفل. وإلا فقد تستعصي شفرة المنشار في قطعة الشغل.
- ◀ يجب أن تضمن عند جميع أعمال النشر في البداية بأن نصل المنشار لا يمكنه أن يلامس سكة المصادمة أو الملازم أو غيرها من أجزاء الجهاز في أي وقت. فك المصادمات المعاونة إن وجدت أو وانمها بالشكل المناسب.

أهم نصل المنشار من الصدمات والطرقات. لا تعرض نصل المنشار لضغط جانبي.
احرص على نشر الفامات المسموح بها والواردة في الاستعمال المخصص.
لا تعالج قطع الشغل الملتوية. يجب أن تتوفر بقطعة الشغل دائماً حافة مستقيمة لركننها على سكة المصادمة.

يجب أن تسند قطع الشغل الطويلة والثقيلة من طرف نهايتها السائبة أو أن تضع شيئاً ما تحتها.
تأكد أن غطاء الوقاية المتأرجح يعمل بشكل سليم كما يمكنه الحركة بحرية. أثناء توجيه ذراع العدة إلى أسفل يجب أن يفتح غطاء الوقاية المتأرجح. أثناء توجيه ذراع العدة إلى أعلى يجب أن ينغلق غطاء الوقاية المتأرجح فوق شفرة المنشار مرة أخرى، ويجب أن يثبت على أعلى وضع لذراع العدة.

موقع المستخدم (انظر الصورة M)

- ◀ لا تقف أمام العدة الكهربائية على نفس خط شفرة المنشار، بل قف دائماً على جانب شفرة المنشار. يتم وقاية جسمك بذلك من الصدمات الارتدادية المحتملة.
- أبعد اليدين والأصابع والذراعين عن نصل المنشار الدوار.
- لا تصالب يدك أمام ذراع العدة.

النشر مع حركة سحب

- بالنسبة للقطوع التي تتم عن طريق تجهيزة السحب (2) (قطع الشغل العريضة) قم بفق لولب التثبيت (1) في حالة ربطه.
- عند الحاجة، اضبط زاوية الشطب الأفقية و/أو العمودية المرغوبة.
- اضغط قطعة الشغل نحو سكة المصادمة (18) و (19).
- اقمط قطعة الشغل حسب مقاسها بإحكام.
- اسحب قدر الإمكان ذراع العدة عن سكة التصادم (18)، حتى تركز شفرة المنشار أمام قطعة الشغل.
- قم بتشغيل العدة الكهربائية.

ضبط مجال زاوية الشطب العمودية اليسرى

- اخلع سكة المصادمة اليسرى القابلة للضبط (19).
- أدّر المصادم الأيسر (41)، إلى أن تثبت زاوية الشطب العمودية القياسية 45° عند علامة السهم. يتوفر بذلك مجال الحركة الأيسر الكامل.
- اسحب زر التثبيت (13) لأعلى.
- قم بتحريك ذراع العدة من المقبض (5) إلى اليسار، إلى أن يشير مؤشر الزاوية إلى زاوية الشطب المائل العمودية المرغوبة.
- ثبت ذراع العدة في هذا الوضع واضغط زر التثبيت (13) مرة أخرى إلى أسفل.

ضبط مجال زاوية الشطب العمودية اليمنى

- اخلع سكة المصادمة اليمنى القابلة للضبط (19).
- أدّر المصادم الأيمن (41)، إلى أن تثبت زاوية الشطب القياسية العمودية 45° عند علامة السهم. يتوفر بذلك مجال الحركة الأيمن الكامل.
- اسحب زر التثبيت (13) لأعلى.
- أدّر زر الضبط (21) نحو اليسار قليلاً و قم بتحريك ذراع العدة من المقبض (5) إلى اليمين، إلى أن يشير مؤشر الزاوية إلى زاوية الشطب العمودية المرغوبة.
- ثبت ذراع العدة في هذا الوضع واضغط زر التثبيت (13) مرة أخرى إلى أسفل.

ضبط زوايا الشطب العمودية القياسية (انظر الصورة K)

- اخلع سكة المصادمة اليمنى/اليسرى القابلة للضبط (19).
- اسحب زر التثبيت (13) لأعلى.
- زاوية الشطب القياسية 0°:
- أدّر زر الضبط (21) نحو اليسار قليلاً و قم بتحريك ذراع العدة من اليمين مروراً بوضع 0°، إلى أن يثبت بصوت مسموع في الوضع 0°.
- اضغط زر التثبيت (13) مرة أخرى إلى أسفل.
- زوايا الشطب القياسية 45° و 33,9° و 22,5°:
- أدّر المصادم الأيسر أو الأيمن (41)، إلى أن تثبت زاوية الشطب العمودية القياسية المرغوبة عند علامة السهم.
- حرك ذراع العدة إلى اليسار حتى النهاية.
- أو
- أدّر زر الضبط (21) نحو اليسار قليلاً و قم بتحريك ذراع العدة من المقبض (5) إلى اليمين حتى النهاية.
- اضغط زر التثبيت (13) مرة أخرى إلى أسفل.

بدء التشغيل

- ◀ انتبه إلى جهد الشبكة الكهربائية! يجب أن يتطابق جهد منبع التيار مع البيانات المذكورة على لوحة صنع العدة الكهربائية.
- ◀ قبل النشر، أحكم ربط مقبض التثبيت (12) واضغط زر التثبيت (13) لأسفل. وإلا فقد تستعصي شفرة المنشار في قطعة الشغل.

- وجه ذراع العدة باستخدام المقبض (5) إلى الأسفل ببطء.
 - اضغط ذراع العدة في اتجاه سكك المصادمة (18) و (19) وانشر قطعة الشغل بدفع أمامي منتظم.
 - أطفئ العدة الكهربائية، وانتظر إلى أن تتوقف شفرة المنشار عن الحركة تماما.
 - وجه ذراع العدة إلى الأعلى ببطء.
 - النشر بلا حركة سحب (القطع) (انظر الصورة N)**
 - لأعمال القطع دون حركة سحب (قطع الشغل الصغيرة) قم بفك لولب التثبيت (1) في حالة ربطه. حرك ذراع العدة حتى النهاية في اتجاه سكك المصادمة (18) وأحكم ربط لولب التثبيت (1) مرة أخرى.
 - عند الحاجة، اضبط زاوية الشطب الأفقية و/أو العمودية المرغوبة.
 - اضغط قطعة الشغل نحو سكك المصادمة (18) و (19).
 - اقمط قطعة الشغل حسب مقاسها بإحكام.
 - قم بتشغيل العدة الكهربائية.
 - وجه ذراع العدة باستخدام المقبض (5) إلى الأعلى ببطء.
 - انشر قطعة الشغل بشكل كامل بدفع أمامي منتظم.
 - أطفئ العدة الكهربائية، وانتظر إلى أن تتوقف شفرة المنشار عن الحركة تماما.
 - وجه ذراع العدة إلى الأعلى ببطء.
 - إرشادات العمل**
 - تمييز خط القطع (انظر الصورة O)**
 - يشير شعاع الليزر إلى مسار خط قطع نصل المنشار. يسمع لك ذلك بتركيز قطعة الشغل بدقة من أجل نشرها دون أن تفتح غطاء الوقاية المتأرجح.
 - للقيام بذلك، شغل شعاع الليزر باستخدام المفتاح (36).
 - قم بتوجيه العلامة إلى قطعة الشغل في منتصف خط الليزر.
 - ملحوظة:** تأكد قبل النشر من أن خط القطع ما زال معروضا بالشكل الصحيح. قد يزاح شعاع الليزر مثلا من خلال الاهتزازات بسبب الاستخدام المكثف.
 - مقاسات قطعة الشغل المسموح بها أقصى مقاس لقطع الشغل:**

زاوية الشطب الأفقية	زاوية الشطب العمودية	الارتفاع x العرض [مم]
0°	0°	310 x 90
45°	0°	210 x 90
0°	45° (يسارًا)	310 x 45
45°	45° (يسارًا)	210 x 45
0°	45° (يمينًا)	310 x 35
45°	45° (يمينًا)	210 x 35

 - الحد الأدنى لمقاسات قطع الشغل (= جميع قطع الشغل التي يمكن تثبيتها بإحكام مع الملزمة الموردة**
- (20) إلى يسار أو يمين شفرة المنشار):
50 x 130 مم (الطول x العرض)
الحد الأقصى لععمق القطع (°/°): 90 مم
نشر قطع الشغل المتساوية الطول (انظر الصورة P)
لسهولة نشر قطع العمل الطويلة بشكل متساوٍ، يمكنك استخدام المصادم الطولي (26).
- قم بفك لولب الزنق (57) وحرك المصادم الطولي (26) الموجود في سكة التوجيه (58) على طول قطعة الشغل المرغوب.
- أحكم ربط لولب الزنق (57) مجدداً.
- قطع الشغل الطويلة:
- قم بحل اللولب المجنح (59) اسحب سكة التوجيه (58) إلى الخارج حتى النهاية.
- أعد شد اللولب المجنح بإحكام (59).
- اضبط المصادم الطولي (26) على طول قطعة الشغل المرغوبة.
النشر دون مصادم طولي:
- قم بحل لولب الزنق (57) وحرك المصادم الطولي (26) الموجود على سكة التوجيه (58) إلى الخارج تماماً.
- أدر المصادم الطولي بزاوية 90° بحيث يتحاذى مع سكة المصادمة (18).
- أحكم ربط لولب الزنق (57) مجدداً.
ضبط محدد العمق (نشر الحز) (انظر الصفحة Q)
ينبغي تعديل ضبط محدد العمق إذا أردت أن تقوم بنشر الحز.
- حرك محدد العمق (22) إلى الخارج.
- قم بتحريك ذراع العدة من المقبض (5) إلى الوضع المرغوب.
- أدر لولب الضبط (23) إلى أن يلامس نهاية لولب محدد العمق (22).
- وجه ذراع العدة إلى الأعلى ببطء.
قطع الشغل الخاصة
يجب أن يتم تأمين قطع الشغل المنحنية أو المدورة ضد الانزلاق بشكل خاص عند النشر. لا يجوز أن يتشكل أي شق عند خط القص بين قطعة الشغل وسكة المصادمة ومنضدة النشر.
يجب أن يتم تصنيع حوامل خاصة عند الضرورة.
استبدال صفائح التلقيم (انظر الصورة R)
يمكن أن تتآكل صفيحة التلقيم (10) بعد الاستخدام المطول للعدة الكهربائية.
استبدل صفيحة التلقيم التالفة.
- اضبط العدة الكهربائية بوضعية الشغل.
- قم بفك اللوالب (60) باستخدام مفك البراغي المتصلب المورد، وأخرج صفيحة التلقيم القديمة (10).
- قم بتركيب صفيحة التلقيم الجديدة، وأحكم ربط اللوالب (60) مرة أخرى.

معالجة الأضلاع المجسمة

يمكنك أن تعالج الأضلاع المجسمة بطريقتين مختلفتين:

فحص الضبط الأساسي وضبطه

ينبغي أن يتم فحص الضبط الأساسي بالعدة الكهربائية بعد الاستعمال المكثف وإعادة ضبطها عند الضرورة للمحافظة على دقة القص. إنك بحاجة إلى الخبرة وللعدد الخاصة الموافقة لتنفيذ ذلك.

ينفذ مركز خدمة عملاء بوش هذا العمل بشكل سريع وموثوق به.

ضبط زاوية الشطب العمودية القياسية ٩٠°

- اضبط العدة الكهربائية بوضعية الشغل.
- أدر قاعدة المنشار (29) حتى حز التوقيف (15) للزاوية ٩٠°. ينبغي أن تتعاشق الذراع بحز التوقيف بشكل محسوس.
- اسحب زر التثبيت (13) لأعلى.
- أدر زر الضبط (21) نحو اليسار قليلاً و قم بتحريك ذراع العدة من اليمين مروراً بوضع ٩٠°، إلى أن يثبت بصوت مسموع في الوضع ٩٠°.
- اضغط زر التثبيت (13) مرة أخرى إلى أسفل.

الفحص (انظر الصورة T1)

- ضع المثلث الزاوي (62) بزواوية مقدارها ٩٠° بشكل متساو مع شفرة المنشار (49) بين منضدة النشر (29) وشفرة المنشار على منضدة النشر (29).

يجب أن يتساو ساق المثلث الزاوي بكامل طوله مع شفرة المنشار (49).

الضبط (انظر الصورة T2)

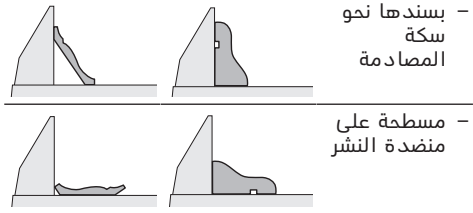
- قم بحل صامولة زنق لولب المصادمة (63) باستخدام أحد المفاتيح الحلقية أو الهلالية المتداولة في الأسواق.
- قم بربط لولب المصادمة (63) أو فكه إلى أن يتساو ساق المثلث الزاوي (62) بكامل طوله مع شفرة المنشار.
- اضغط زر التثبيت (13) مرة أخرى إلى أسفل.
- وبعد ذلك أعد إحكام ربط الصامولة المقابلة للولب المصادمة (63).

إن لم يكن مؤشر الزاوية (55) بعد الضبط على خط مسار واحد مع علامة ٩٠° على التدرج (56)، قم بفك اللولب (65) باستخدام أحد مفكات البراغي متصالية الحز المتداولة في الأسواق، و قم بمعاذاة خط المنتصف لمؤشر الزاوية على امتداد العلامة ٩٠° (انظر الصورة W).

ضبط زاوية الشطب العمودية القياسية ٩٤.٥° (يميناً)

- اضبط العدة الكهربائية بوضعية الشغل.
- أدر قاعدة المنشار (29) حتى حز التوقيف (15) للزاوية ٩٤.٥°. ينبغي أن تتعاشق الذراع بحز التوقيف بشكل محسوس.
- اخلع سكة المصادمة اليمنى القابلة للضبط (19).
- أدر المصادم الأيمن (41)، إلى أن تثبت زاوية الشطب العمودية ٩٤.٥° عند علامة السهم.
- اسحب زر التثبيت (13) لأعلى.
- أدر زر الضبط (21) إلى اليسار و قم بتحريك ذراع العدة من المقبض (5) إلى اليمين حتى النهاية.

وضعية قطعة عارضة أرضية عارضة سقفية الشغل



- بسندها نحو سكة المصادمة

- مسطحة على منضدة النشر

كما يمكنك أن تقوم بالقص مع أو بلا حركة السحب حسب عرض الأضلاع المجسمة. تجرب زاوية الشطب المائل (الأفقية و/أو الرأسية) التي تم ضبطها دائماً على قطعة خشب من النفايات أولاً.

ضبط الليزر

ملحوظة: ينبغي أن يتم وصل العدة الكهربائية بالإمداد بالتيار الكهربائي لتجربة وظيفة الليزر.

⚠ لا تدير مفتاح التشغيل والإطفاء أبداً أثناء ضبط الليزر (عند تحريك ذراع العدة مثلاً). قد يؤدي تشغيل العدة الكهربائية بشكل غير مقصود إلى إصابات خطيرة.

- اضبط العدة الكهربائية بوضعية الشغل.
- أدر قاعدة المنشار (29) حتى حز التوقيف (15) للزاوية ٩٠°. ينبغي أن تتعاشق الذراع بحز التوقيف بشكل محسوس.

ينبغي أن يتم فحص أشعة الليزر بعد الاستعمال المكثف وإعادة ضبطها عند الضرورة للمحافظة على دقة القص.

للقيام بذلك فأنت بحاجة إلى الخبرة وللعدد الخاصة الموافقة لتنفيذ ذلك. ينفذ مركز خدمة عملاء بوش هذا العمل بشكل سريع وموثوق به.

الفحص (انظر الصورة S1)

- ارسم خط قطع مستقيم على قطعة الشغل.
- وجه ذراع العدة باستخدام المقبض (5) إلى الأسفل ببطء.
- وجه قطعة الشغل بحيث تتوافق أسنان شفرة المنشار مع مسار خط القطع.
- أمسك قطعة الشغل بهذا الوضع بإحكام ووجه ذراع العدة نحو الأعلى بتمهل.
- شد قطعة الشغل بإحكام.
- قم بتشغيل شعاع الليزر باستخدام المفتاح (36).
- يجب أن يتراصف خط الليزر مع خط القطع على قطعة الشغل على كامل المسار حتى لو تم توجيه ذراع العدة نحو الأسفل.

الضبط (انظر الصورة S2)

- أدر لولب الضبط (61) باستخدام مفك براغي مناسب، إلى أن يتساو شعاع الليزر بكامل مساره مع خط القطع على قطعة الشغل.
- إن دورة واحدة بعكس اتجاه حركة عقارب الساعة تحرك شعاع الليزر من اليسار نحو اليمين، أما دورة واحدة مع اتجاه حركة عقارب الساعة تحرك شعاع الليزر من اليمين نحو اليسار.

الضبط

- قم بحل اللولب (65) باستخدام مفك براغي متصالية الحز وقم بمحاذاة مابين الزاوية مع العلامة °0.
- أعد إحكام شد اللولب.

محاذاة مابين الزاوية (أفقياً) (انظر الصورة X)

- اضبط العدة الكهربائية بوضعية الشغل.
- أدر قاعدة المنشار (29) حتى حز التوقيف (15) للزاوية °0. ينبغي أن تتعاشق الذراع بحز التوقيف بشكل محسوس.

الفحص

- يجب أن يكون مابين الزاوية (14) على خط واحد مع العلامة °0 بالتدريج (30).

الضبط

- قم بحل اللولب (66) باستخدام مفك براغي متصالية الحز وقم بمحاذاة مابين الزاوية مع العلامة °0.
- أعد إحكام شد اللولب.

نقل العدة الكهربائية (انظر الصورة Y)

يجب أن تطبق الخطوات التالية قبل نقل العدة الكهربائية:

- قم بفك لولب التثبيت (1)، في حالة ربطه. اسحب ذراع العدة نحو الأمام بشكل كامل وأعد شد لولب التثبيت.
- تأكد أن محدد العمق (22) قد تم ضغطه إلى الداخل تماماً وأن لولب الضبط (23) يمر عبر الفجوة عند تحريك ذراع العدة دون أن يلامس محدد العمق.
- اضبط العدة الكهربائية في وضع النقل.
- أبعاد جميع قطع التوابع التي لا يمكن تثبيتها بالعدة الكهربائية بإحكام. ضع شفرات المنشار التي لا يتم استعمالها في وعاء مغلق أثناء النقل إن أمكن.
- قم بحمل العدة الكهربائية على مقياس النقل (4) أو أمسكها من تجايف المسك (27) الموجودة على جانب منضدة المنشار.
- ◀ استخدم تجهيزات النقل دائماً عند نقل العدة الكهربائية ولا تستخدم أبداً تجهيزات الوقاية أو مساند قطعة الشغل.

الصيانة والخدمة**الصيانة والتنظيف**

- ◀ اسحب القابس من مقبس الشبكة الكهربائية قبل إجراء أي عمل على العدة الكهربائية.
- ◀ للعمل بشكل جيد وأمن حافظ دائماً على نظافة العدة الكهربائية وفتحات التهوية.
- إذا تطلب الأمر استبدال خط الإمداد، فينبغي أن يتم ذلك من قبل شركة Bosch أو من قبل مركز خدمة الزبائن المعتمد لشركة Bosch للعدد الكهربائية، لتجنب التعرض للمخاطر.
- يجب أن يبقى غطاء الوقاية المتأرجح طليق الحركة دائماً وقابلًا للاغلاق بمفرده. حافظ لأجل ذلك دائماً على نظافة النطاق الموجود حول غطاء الوقاية المتأرجح.

الفحص (انظر الصورة U1)

- ضع المثلث الزاوي (62) بزاوية مقدارها 45° بشكل متساوٍ مع شفرة المنشار (49) بين منضدة النشر (29) وشفرة المنشار يميناً على منضدة النشر.

يجب أن يتساوٍ ساق المثلث الزاوي بكامل طوله مع شفرة المنشار (49).

الضبط (انظر الصورة U2)

- قم بحل صامولة زنق لولب المصادمة (40) باستخدام أحد المفاتيح الحلقيّة أو الهلالية المتداولة في الأسواق.
- قم بربط لولب المصادمة (40) أو فكه إلى أن يتساوٍ ساق المثلث الزاوي (62) بكامل طوله مع شفرة المنشار.
- اضغط زر التثبيت (13) مرة أخرى إلى أسفل.
- وبعد ذلك أعد إحكام ربط الصامولة المقابلة للولب المصادمة (40).

إن لم يكن مؤشر الزاوية (55) بعد الضبط على خط واحد مع العلامة 45° بالتدريج (56) يجب أولاً فحص ضبط الصفر °0 لزاوية الشطب العمودية والمؤشرات الزاوية مرة أخرى. كرر بعد ذلك عملية ضبط زاوية الشطب العمودية 45°.

تسوية سكة المصادمة

- اضبط العدة الكهربائية في وضع النقل.
- قم بفك مقياس التثبيت (12)، في حالة ربطه.
- اضغط زر التثبيت (11) إلى أسفل وأدر منضدة النشر (29) حتى حز التوقيف (15) للزاوية °0.
- اترك زر التثبيت (11) مرة أخرى. ينبغي أن تتعاشق منضدة النشر بحز التوقيف بشكل محسوس.
- اخلع سكة المصادمة القابلة للضبط (19).

الفحص (انظر الصورة V1)

- ضع المثلث الزاوي (62) بزاوية مقدارها 90° بشكل متساوٍ مع شفرة المنشار (49) بين سكة المصادمة (18) وشفرة المنشار على منضدة النشر (29).

يجب أن يتساوٍ ساق المثلث الزاوي بكامل طوله مع سكة المصادمة.

الضبط (انظر الصورة V2)

- قم بفك جميع اللوالب سداسية الرأس (64) باستخدام المفتاح سداسي الرأس المجوف المورد (24).

- أدر سكة المصادمة (18) إلى أن يتساوٍ المثلث الزاوي بكامل طوله.
- أحكم شد اللوالب بعد ذلك.

محاذاة مؤشر الزاوية (عموديًا) (انظر الصورة W)

- اسحب زر التثبيت (13) لأعلى.
- أدر زر الضبط (21) نحو اليسار قليلاً وقم بتحريك ذراع العدة من اليمين مروراً بوضع °0، إلى أن يثبت بصوت مسموع في الوضع °0.
- اضغط زر التثبيت (13) مرة أخرى إلى أسفل.

الفحص

- يجب أن يكون مابين الزاوية (55) على خط واحد مع العلامة °0 بالتدريج (56).

أزل الغبار والنشارة بعد كل خطوة عمل من خلال نفخها بالهواء المضغوط أو بواسطة فرشاة. نظف بكرة الإزلاق (32).

إجراءات لتخفيض الضجيج

- إجراءات من طرف المنتج:
- البدء بإدارة هادئة
- التسليم مع نصل منشار تم تطويره بشكل خاص لتخفيض الضجيج
- إجراءات من طرف المستخدم:
- التركيب بطريقة قليلة الاهتزازات على سطح عمل ثابت
- استخدام نصال المنشار ذات الوظائف المخفضة للضجيج
- تنظيف نصل المنشار والعدة الكهربائية بشكل منتظم

خدمة العملاء واستشارات الاستخدام

يجيب مركز خدمة العملاء على الأسئلة المتعلقة بإصلاح المنتج وصيانتته، بالإضافة لقطع الغيار. تجد الرسوم التفصيلية والمعلومات الخاصة بقطع الغيار في الموقع: www.bosch-pt.com يسر فريق Bosch لاستشارات الاستخدام مساعدتك إذا كان لديك أي استفسارات بخصوص منتجاتنا وملحقاتها. يلزم ذكر رقم الصنف ذو الخانات العشر وفقاً للوحة صنع المنتج عند إرسال أية استفسارات أو طلبات قطع غيار.

المغرب

Robert Bosch Morocco SARL
53، شارع الملازم محمد محروود
20300 الدار البيضاء
الهاتف: +212 5 29 31 43 27
البريد الإلكتروني: sav.outillage@ma.bosch.com

تجد المزيد من عناوين الخدمة تحت:

www.bosch-pt.com/serviceaddresses

التخلص من العدة الكهربائية

ينبغي تسليم العدة الكهربائية والتوابع والعبوة إلى مركز معالجة النفايات بطريقة محافظة على البيئة. لا ترمم العدة الكهربائية ضمن النفايات المنزلية.



فارسی

دستورات ایمنی

هشدارهای ایمنی عمومی برای ابزارهای برقی

⚠ هشدار

کلیه هشدارها،

دستورالعملها، تصاویر و

مشخصات ارائه شده به همراه ابزار برقی را مطالعه کنید. اشتباهات ناشی از عدم رعایت این دستورات ایمنی ممکن است باعث برق گرفتگی، سوختگی و یا سایر جراحات های شدید شود.

کلیه هشدارهای ایمنی و راهنماییها را برای آینده خوب نگهداری کنید.

عبارت «ابزار برقی» در هشدارها به ابزارهایی که به پریز برق متصل میشوند (با سیم برق) و یا ابزارهای برقی باتری دار (بدون سیم برق) اشاره دارد.

ایمنی محل کار

◀ محیط کار را تمیز و روشن نگه دارید.

محیطهای در هم ریخته یا تاریک احتمال بروز حادثه را افزایش میدهد.

◀ ابزار برقی را در محیطهایی که خطر انفجار وجود دارد و حاوی مایعات، گازها و بخارهای محترقه هستند، به کار نگیرید. ابزارهای برقی جرقههایی ایجاد میکنند که میتوانند باعث آتش گرفتن گرد و غبارهای موجود در هوا شوند.

◀ هنگام کار با ابزار برقی، کودکان و سایر

افراد را از دستگاه دور نگه دارید. در صورتیکه حواس شما پرت شود، ممکن است کنترل دستگاه از دست شما خارج شود.

ایمنی الکتریکی

◀ دوشاخه ابزار برقی باید با پریز برق تناسب داشته باشد. هیچگونه تغییری در دوشاخه ایجاد نکنید. مدل دوشاخه نباید همراه با ابزار برقی دارای اتصال زمین استفاده شود. دوشاخههای اصل و تغییر داده نشده و پریزهای مناسب، خطر برق گرفتگی را کاهش میدهند.

◀ از تماس بدنی با قطعات متصل به سیم اتصال زمین مانند لوله، شوفاژ، اجاق برقی و یخچال خودداری کنید. در صورت تماس بدنی با سطوح و قطعات دارای اتصال به زمین و همچنین تماس شما با زمین، خطر برق گرفتگی افزایش می یابد.

◀ ابزارهای برقی را در معرض باران و رطوبت قرار ندهید. نفوذ آب به ابزار برقی، خطر شوک الکتریکی را افزایش میدهد.

◀ از سیم دستگاه برای مقاصد دیگر استفاده نکنید. هرگز برای حمل ابزار برقی، کشیدن آن یا خارج کردن دوشاخه از سیم دستگاه استفاده نکنید. کابل دستگاه را از حرارت، روغن، لبههای تیز یا قطعات متحرک دور نگه دارید. کابلهای آسیب دیده و یا گره خورده خطر شوک الکتریکی را افزایش میدهند.

◀ هنگام استفاده از ابزار برقی در محیطهای باز، تنها از کابل رابطی استفاده کنید که برای

محیط باز نیز مناسب باشد. کابل های رابط مناسب برای محیط باز، خطر برق گرفتگی را کم می کنند.

◀ در صورت لزوم کار با ابزار برقی در محیط و اماکن مرطوب، باید از یک کلید حفاظتی جریان خطا و نشستی زمین (کلید قطع کننده اتصال با زمین) استفاده کنید. استفاده از کلید حفاظتی جریان خطا و نشستی زمین خطر برق گرفتگی را کاهش می دهد.

رعایت ایمنی اشخاص

◀ حواس خود را خوب جمع کنید، به کار خود دقت کنید و با فکر و هوشیاری کامل با ابزار برقی کار کنید. در صورت خستگی و یا در صورتی که مواد مخدر، الکل و دارو استفاده کردهاید، با ابزار برقی کار نکنید. یک لحظه بی توجهی هنگام کار با ابزار برقی، میتواند جراثم های شدیدی به همراه داشته باشد.

◀ از تجهیزات ایمنی شخصی استفاده کنید.

همواره از عینک ایمنی استفاده نمایید. استفاده از تجهیزات ایمنی مانند ماسک ضد گرد و غبار، کفشهای ایمنی ضد لغزش، کلاه ایمنی و گوشی محافظ متناسب با نوع کار با ابزار برقی، خطر مجروح شدن را کاهش میدهد.

◀ مواظب باشید که ابزار برقی بطور ناخواسته بکار نیفتد. قبل از وارد کردن دوشاخه دستگاه در پریز برق، اتصال آن به باتری، برداشتن آن و یا حمل دستگاه، باید دقت کنید که ابزار برقی خاموش باشد. در صورتی که هنگام حمل دستگاه انگشت شما روی دکمه قطع و وصل باشد و یا دستگاه را در حالت روشن به برق بزنید، ممکن است سوانح کاری پیش آید.

◀ قبل از روشن کردن ابزار برقی، همه ابزارهای تنظیم کننده و اچارها را از روی دستگاه بردارید. ابزار و اچارهایی که روی بخش های چرخنده دستگاه قرار دارند، میتوانند باعث ایجاد جراثم شوند.

◀ وضعیت بدن شما باید در حالت عادی قرار داشته باشد. برای اکار جای مطمئن برای خود انتخاب کرده و تعادل خود را همواره حفظ کنید. به این ترتیب میتوانید ابزار برقی را در وضعیتهای غیر منظره بهتر تحت کنترل داشته باشید.

◀ لباس مناسب بپوشید. از پوشیدن لباسهای گشاد و حمل زینت آلات خودداری کنید. موها و لباس خود را از بخشهای در حال چرخش دستگاه دور نگه دارید. لباسهای گشاد، موی بلند و زینت آلات ممکن است در قسمتهای در حال چرخش دستگاه گیر کنند.

◀ در صورتی که تجهیزاتی برای اتصال وسائل مکش گرد و غبار و یا وسیله جمع کننده گرد و غبار ارائه شده است، باید مطمئن شوید که این وسائل درست نصب و استفاده می شوند.

استفاده از وسائل مکش گرد و غبار مصونیت شما را در برابر گرد و غبار زیادتر میکند. آشنایی با ابزار به دلیل کار کردن زیاد با آن نباید باعث سهل انگاری شما و نادیده گرفتن

اصول ایمنی شود. بی دقتی ممکن است باعث بروز جراحاتی در عرض کسری از ثانیه شود.

استفاده صحیح از ابزار برقی و مراقبت از آن
از وارد کردن فشار زیاد روی دستگاه

خودداری کنید. برای هر کاری، از ابزار برقی مناسب با آن استفاده کنید. بکار گرفتن ابزار برقی مناسب باعث میشود که بتوانید از توان دستگاه بهتر و با اطمینان بیشتر استفاده کنید.

در صورت ایراد در کلید قطع و وصل ابزار برقی، از دستگاه استفاده نکنید. ابزار برقی که نمی توان آنها را قطع و وصل کرد، خطرناک بوده و باید تعمیر شوند.

قبل از تنظیم ابزار برقی، تعویض متعلقات و یا کنار گذاشتن آن، دوشاخه را از برق بکشید و یا باتری آنرا خارج کنید. رعایت این اقدامات پیشگیری ایمنی از راه افتادن ناخواسته ابزار برقی جلوگیری می کند.

ابزار برقی را در صورت عدم استفاده، از دسترس کودکان دور نگه دارید و اجازه ندهید که افراد ناوارد و یا اشخاصی که این دفترچه راهنما را نخوانده‌اند، با این دستگاه کار کنند. قرار گرفتن ابزار برقی در دست افراد ناوارد و بی تجربه خطرناک است.

از ابزار برقی و متعلقات خوب مراقبت کنید. مواظب باشید که قسمت های متحرک دستگاه خوب کار کرده و گیر نکند. همچنین دقت کنید که قطعات ابزار برقی شکسته و یا آسیب دیده نباشند. قطعات آسیب دیده را قبل از شروع به کار تعمیر کنید. علت بسیاری از سوانح کاری، عدم مراقبت کامل از ابزارهای برقی می باشد.

ابزار برش را تیز و تمیز نگه دارید. ابزار برشی که خوب مراقبت شده و از لبه های تیز برخوردار است، کمتر در قطعه کار گیر کرده و بهتر قابل هدایت است.

ابزار برقی، متعلقات، متهای دستگاه و غیره را مطابق دستورات این جزوه راهنما به کار گیرید و به شرایط کاری و نوع کار نیز توجه داشته باشید. استفاده از ابزار برقی برای عملیاتی به جز مقاصد در نظر گرفته شده، میتواند به بروز شرایط خطرناک منجر شود.

دستها و سطوح عایق را همواره خشک، تمیز و عاری از روغن و گریس نگه دارید. دسته های لغزنده مانع ایمنی و کنترل در کار در شرایط غیر منتظره هستند.

برای تعمیر ابزار برقی فقط به متخصصین حرفهای رجوع کنید و از قطعات یدکی اصل استفاده نمایید. این باعث خواهد شد که ایمنی دستگاه شما تضمین گردد.

سرویس
برای تعمیر ابزار برقی فقط به متخصصین حرفهای رجوع کنید و از قطعات یدکی اصل استفاده نمایید. این باعث خواهد شد که ایمنی دستگاه شما تضمین گردد.

هشدارهای ایمنی برای اره های فارسی
بر

اره های فارسی بر جهت برش چوب یا مواد محصولاتی چوبی در نظر گرفته شده اند و برای برش قطعات آهنی مانند میل گرد،

مفتول یا پیچ و غیره مناسب نیستند. گرد و غبار تراشه باعث مسدود شدن اجزاء متحرکی مانند قاب محافظ زیرین میشود. جرقه های برش باعث سوختن قاب محافظ زیرین، غلاف شکاف و سایر قطعات پلاستیکی خواهد شد.

قطعه کار را در صورت امکان با گیره تثبیت کنید. در صورت نگه داشتن قطعه کار با دست، باید همیشه دستان خود را در فاصله 100 میلیمتری از هر طرف تیغه اره قرار دهید.

از این اره برای بریدن قطعات بسیار کوچکی که نمیتوان آنها را با گیره تثبیت کرد یا با دست نگه داشت، استفاده نکنید. چنانچه دست شما به تیغه اره بسیار نزدیک باشد، خطر بروز جراحت بر اثر تماس با تیغه بیشتر است.

قطعه کار باید بدون حرکت و با گیره محکم شده باشد یا به طرف نگهدارنده و میز فشرده شود. هرگز قطعه کار را به طرف تیغه اره نرانید یا به صورت "دست آزاد" کار نکنید. قطعه کارهای شل و متحرک می توانند به بیرون پرتاب شوند و باعث جراحت گردند.

اره را به داخل قطعه کار فشار دهید. از کشیدن اره در قطعه کار خودداری کنید. جهت ایجاد برش، سر اره را بلند کنید و آن را بدون برش دادن، بالای قطعه کار قرار دهید، موتور را روشن کنید، سر اره را پایین ببرید و تیغه اره را به داخل قطعه کار فشار دهید. در صورت برش همراه با کشیدن، این خطر وجود دارد که تیغه اره بلند شود و مجموعه تیغه اره با فشار به طرف کاربر پرت شود.

هرگز دستان خود را در جلو یا پشت تیغه اره به صورت ضربدری بالای خط برش مورد نظر قرار ندهید. نگه داشتن قطعه کار به صورت ضربدری یعنی نگهداشتن قطعه کار در طرف راست تیغه اره با دست چپ و بر عکس بسیار خطرناک است.

هنگام چرخش تیغه اره، دستان خود را برای برداشتن تراشهای چوب یا هر منظور دیگری، در پشت نگهدارنده به فاصله کمتر از 100 میلیمتری هر دو طرف تیغه اره نزدیک نکنید. نزدیک بودن دستان شما به تیغه اره قابل تشخیص نیست و از این رو ممکن است خود را به شدت مجروح کنید.

قبل از برش، قطعه کار خود را بررسی کنید. در صورتی که قطعه کار دارای قوس یا خمیدگی است، آن را به گونهای که سمت خمیده به طرف نگهدارنده باشد، با گیره تثبیت کنید. همیشه اطمینان حاصل کنید که در سرتاسر خط برش بین قطعه کار، نگهدارنده و میز فاصلهای وجود ندارد.

قطعه های کار دارای قوس یا خمیدگی ممکن است بچرخند و جا به جا شوند و باعث گیر کردن تیغه اره هنگام کار گردند. در قطعه کار نباید میخ یا اجسام خارجی وجود داشته باشد.

اره را تنها وقتی بکار ببرید که میز عاری از ابزار و تراشه های چوب و غیره باشد. تراشها، تکه های کوچک چوب و سایر اشیائی که با تیغه در حال چرخش تماس پیدا میکنند، با سرعت زیاد به بیرون پرت میشوند.

اره های چوب و غیره باید بدون حرکت و با گیره محکم شده باشد یا به طرف نگهدارنده و میز فشرده شود. هرگز قطعه کار را به طرف تیغه اره نرانید یا به صورت "دست آزاد" کار نکنید. قطعه کارهای شل و متحرک می توانند به بیرون پرتاب شوند و باعث جراحت گردند.

اره را به داخل قطعه کار فشار دهید. از کشیدن اره در قطعه کار خودداری کنید. جهت ایجاد برش، سر اره را بلند کنید و آن را بدون برش دادن، بالای قطعه کار قرار دهید، موتور را روشن کنید، سر اره را پایین ببرید و تیغه اره را به داخل قطعه کار فشار دهید. در صورت برش همراه با کشیدن، این خطر وجود دارد که تیغه اره بلند شود و مجموعه تیغه اره با فشار به طرف کاربر پرت شود.

هرگز دستان خود را در جلو یا پشت تیغه اره به صورت ضربدری بالای خط برش مورد نظر قرار ندهید. نگه داشتن قطعه کار به صورت ضربدری یعنی نگهداشتن قطعه کار در طرف راست تیغه اره با دست چپ و بر عکس بسیار خطرناک است.

هنگام چرخش تیغه اره، دستان خود را برای برداشتن تراشهای چوب یا هر منظور دیگری، در پشت نگهدارنده به فاصله کمتر از 100 میلیمتری هر دو طرف تیغه اره نزدیک نکنید. نزدیک بودن دستان شما به تیغه اره قابل تشخیص نیست و از این رو ممکن است خود را به شدت مجروح کنید.

قبل از برش، قطعه کار خود را بررسی کنید. در صورتی که قطعه کار دارای قوس یا خمیدگی است، آن را به گونهای که سمت خمیده به طرف نگهدارنده باشد، با گیره تثبیت کنید. همیشه اطمینان حاصل کنید که در سرتاسر خط برش بین قطعه کار، نگهدارنده و میز فاصلهای وجود ندارد.

- ◀ هر بار فقط یک قطعه کار را ببرید. قطعات کار روی هم گذاشته شده را نمی توان مهار کرد و ممکن است هنگام برش سر بخورند و باعث گیر کردن تیغه گردند.
- ◀ قبل از کار، اره را روی یک سطح صاف و ثابت قرار دهید. یک سطح صاف و ثابت خطر بی ثباتی اره فارسی بر را کاهش میدهد.
- ◀ با برنامه کار کنید. هر بار هنگام تغییر شیب تیغه اره یا زاویه برش فارسی دقت کنید که نگهدارنده برای مهار کردن قطعه کار درست تنظیم شده باشد و با تیغه اره یا قاب محافظ تماس پیدا نمیکند. بدون روشن کردن اره و قرار دادن قطعه کار بر روی میز، یک مرحله کامل برش فرضی را انجام دهید تا از بی عیب بودن مرحله کار و قرار نگرفتن نگهدارنده در مسیر برش مطمئن شوید.
- ◀ برای برشکاری قطعاتی که بزرگتر از میز هستند از حائل یا خرک استفاده کنید. قطعاتی که بزرگتر از میز هستند، ممکن است بدون تکیه گاه واژگون شوند. در صورت واژگون شدن یک قطعه چوب یا قطعه کار، ممکن است قاب پایینی بلند شود و بدون کنترل توسط تیغه ی در حال چرخش پرتاب گردد.
- ◀ از اشخاص دیگر جهت تکیه دادن یا نگهداشتن قطعات کار استفاده نکنید. بی ثباتی حائل قطعه کار میتواند باعث گیر کردن تیغه اره یا جابهجا شدن قطعه کار در طول برش شده و شما و همکاران را به سمت تیغه اره در حال چرخش بکشاند.
- ◀ تکه بریده شده نباید گیر کند یا هیچ وسیلهای به تیغه اره فشرده شود. در صورت قرار گرفتن تحت فشار، برای مثال با استفاده از نگهدارندههای طولی، ممکن است تکه بریده شده با تیغه اره در گیر و با فشار به بیرون پرتاب شود.
- ◀ مناسب جهت ثابت نگه داشتن صحیح اجسام گرد مانند میلهها یا لولهها، همیشه از گیره یا تجهیزات مهار استفاده کنید. اجسام گرد هنگام برش میل به چرخش دارند که باعث گیر کردن آنها در تیغه اره میشود و قطعه کار را با دست شما به طرف تیغه اره میکشند.
- ◀ قبل از شروع برش روی قطعه کار، بگذارید اره به بیشینه سرعت خود برسد. این کار خطر پرتاب شدن قطعه کار را کم می کند.
- ◀ در صورت گیر کردن قطعه کار یا تیغه اره، دستگاه را خاموش کنید. صبر کنید تا کلیه قسمتهای متحرک متوقف شوند، کابل را از برق بکشید و/یا باتری را بیرون بیاورید. سپس جسم گیر کرده را آزاد کنید. ادامه دادن به برش هنگامی که قطعه کار گیر کرد است، میتواند باعث از دست رفتن کنترل و آسیب رسیدن به اره فارسی بر شود.
- ◀ پس از اتمام برش، کلید را رها کنید، سر اره را پایین نگه دارید و صبر کنید تا تیغه متوقف شود، سپس قطعه بریده شد را بردارید. نزدیک کردن دست به تیغه در حال حرکت بسیار خطرناک است.
- ◀ هنگام انجام نیم برش یا رها کردن کلید قبل از رسیدن سر اره به پایین ترین حد خود، دسته را محکم نگه دارید. عمل ترمز اره ممکن است سر اره را به طور ناگهانی پایین بکشاند و سبب وارد آمدن جراحت گردد.
- ◀ هنگامی که سر اره به پایین ترین موقعیت رسیده است، دسته را رها نکنید. سر اره را همیشه با دست به بالاترین موقعیت برگردانید. اگر سر اره بدون کنترل حرکت کند، احتمال آسیب دیدگی وجود دارد.
- ◀ محل کار را تمیز نگهدارید. ترکیبات مواد بسیار خطرناک هستند. گرد فلز سبک ممکن است آتش بگیرد یا منفجر شود.
- ◀ هرگز از تیغه های اره کند، ترک خورده، خمیده شده یا آسیب دیده استفاده نکنید. تیغه های اره کند یا با دندانهای نامنظم در یک شکاف برش تنگ، باعث ایجاد اصطکاک بالا، گیر کردن تیغه اره و پس زدن (ضربه به عقب) می شوند.
- ◀ از تیغه های اره ساخته شده از فولاد آلپاژی با استحکام بالا (فولاد HSS) استفاده نکنید. اینگونه تیغه های اره ممکن است سریع بشکنند.
- ◀ همواره از تیغه های دارای اندازه و سوراخ نگهدارنده مناسب (مثلا شکل گرد یا لوزی) استفاده کنید. تیغه ارههایی که با قطعههای قابل مونتاژ اره متناسب نباشند، به صورت غیر مدور حرکت میکنند و باعث از دست دادن کنترل میشوند.
- ◀ هرگز باقیماندههای برش، تراشه های چوب و اشیایی از این قبیل را در حالی که ابزار برقی روشن است از محدوده برش دور نکنید. همواره ابتدا بازوی ابزار برقی را به وضعیت سکون اولیه بازگردانید و سپس ابزار برقی را خاموش کنید.
- ◀ پس از اتمام کار، تیغه اره را قبل از سرد شدن لمس نکنید. تیغه اره در اثر کار کردن بسیار داغ می شود.
- ◀ ابزار برقی به همراه یک برچسب هشدار لیزر ارسال می گردد (رجوع کنید به جدول "نمادها و مفهوم آنها").
- ◀ چنانچه متن برچسب هشدار لیزر به زبان شما نیست، برچسب هشدار ارسال شده به همراه دستگاه به زبان کشور خود را قبل از اولین راه اندازی روی برچسب هشدار بچسبایند.
- ◀ برچسب های هشدار بر روی ابزار برقی باید همواره خوانا و مشخص باقی بمانند، روی آنها را هرگز نپوشانید.
- ◀ جهت پرتو لیزر نباید به طرف افراد و یا حیوانات باشد و خودتان هم مستقیماً به پرتو لیزر یا بازتاب آن نگاه نکنید. این کار ممکن است منجر به خیره شدگی افراد، بروز سانحه یا آسیب دیدگی چشم گردد.
- ◀ در صورت برخورد پرتوی لیزر به چشم، چشمها را فوراً ببندید و سر را از محدوده ی پرتوی لیزر خارج کنید.

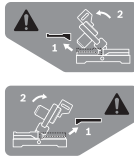


علایم و مفهوم آنها

به ابعاد تیغه اره توجه کنید. قطر سوراخ باید بدون لقی با محور دستگاه مطابق باشد. چنانچه استفاده از قطعات تبدیل ضروری است، دقت کنید که ابعاد قطعه تبدیل با ضخامت تیغه اره و قطر سوراخ تیغه اره و همچنین قطر محور دستگاه متناسب باشد. در صورت امکان، از قطعه تبدیل ارسالی همراه با تیغه اره استفاده کنید.

قطر تیغه اره باید با مقدار ذکر شده روی علامت تطابق داشته باشد.

هنگام اره کردن زوایای مورب عمودی، باید خط کش راهنمای قابل تنظیم سمت چپ یا راست جدا شوند.



توضیحات محصول و کارکرد

همه دستورات ایمنی و راهنماها را بخوانید. اشتباهات ناشی از عدم رعایت این دستورات ایمنی ممکن است باعث برفکرفتگی، سوختگی و یا سایر جراحات های شدید شود.



به تصویرهای واقع در بخشهای اول دفترچه راهنما توجه کنید.

موارد استفاده از دستگاه

این ابزار برقی بعنوان یک دستگاه ثابت، برای انجام برش های مستقیم طولی و عرضی در چوب در نظر گرفته شده است. علاوه بر این زاویه مورب افقی - 47° تا +52° همچنین زاویه مورب عمودی 45° (سمت چپ) تا 45° (سمت راست) امکان پذیر است. قدرت ابزار برقی طوری طراحی شده است که برای اره کردن و برش چوب های سخت و نرم، مانند تخته های خرده چوب (نئوپان) و تخته های چندلایه مناسب است.

در صورت استفاده از تیغه اره های مناسب، برش پروفیلهای آلومینیوم و پلاستیک امکان پذیر است.

تصاویر اجزاء دستگاه

شماره گذاری تصاویر اجزاء دستگاه بر اساس شکل ابزار برقی در صفحه تصاویر است.

- (1) پیچ تثبیت بازوی کشویی
- (2) تجهیزات بازوی کشویی
- (3) برچسب هشدار لیزر
- (4) دسته حمل و نقل
- (5) دسته
- (6) قفل ایمنی کلید روشن/خاموش

◀ هیچ گونه تغییری در تنظیمات لیزر انجام ندهید. امکانات تنظیم ذکر شده در دفترچه راهنما را می توان بدون خطر استفاده کرد.

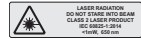
◀ اجازه ندهید کودکان بدون نظارت از ابزار برقی استفاده کنند. ممکن است ناخواسته چشم دیگران یا خودتان دچار خیرگی شود

علایم

علایم و نماد های زیر و معانی آنها میتوانند برای کار و استفاده از ابزار برقی شما پر اهمیت باشند. لطفاً این علایم و مفهوم آنها را خوب بخاطر بسپارید. تفسیر صحیح این علایم به شما کمک میکند که ابزار برقی را بهتر و مطمئن تر مورد استفاده قرار بدهید.

علایم و مفهوم آنها

پرتو لیزر به پرتو لیزر نگاه نکنید لیزر کلاس 2



هنگامی که ابزار برقی در حال کار است، دست های خود را در محدوده اره قرار ندهید. در صورت تماس با تیغه اره، خطر آسیب دیدگی وجود دارد.



از ماسک ایمنی تنفس در برابر گرد و غبار استفاده کنید.



از عینک ایمنی استفاده کنید.



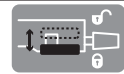
از گوشی ایمنی استفاده کنید. صدای بلند ممکن است به شنوایی شما آسیب برساند.



محدوده خطر! در صورت امکان دست ها، انگشتان یا بازوهای خود را از این محدوده دور نگه دارید.



برای تنظیم زاویه مورب عمودی دلخواه، بازوی ابزار باید بتواند آزادانه حرکت کند.



دکمه قفل کننده به بالا کشیده شود: زاویه مورب عمودی قابل تنظیم است.

دکمه قفل کننده به پایین فشار داده شود: زاویه مورب عمودی تنظیم شده، در همان حالت باقی می ماند.

- (7) قاب محافظ
(8) حفاظ ایمنی متحرک
(9) سوراخ های نصب
(10) صفحه مونتاژ
(11) دکمه قفل کننده برای زاویه مورب (افقی)
(12) پیچ تثبیت برای زاویه مورب دلفواه (افقی)
(13) دکمه قفل کننده برای زاویه مورب (عمودی)
(14) نشانگر زاویه برای زاویه مورب (افقی)
(15) شیارهای زاویه مورب استاندارد (افقی)
(16) میز کشویی برای گسترش کفی اره
(17) پایه قطعه کار^a)
(18) خط کش راهنمای ثابت
(19) خط کش راهنمای قابل تنظیم
(20) گیره پیچی
(21) دکمه تنظیم زاویه مورب 0° (عمودی)
(22) خط کش تعیین عمق سوراخ
(23) پیچ تنظیم خط کش تعیین عمق سوراخ
(24) آچار آلن
(25) قفل ایمنی حمل و نقل
(26) قطعه نگهدارنده انتهای قطعه کار
(27) محل تورفتگی جای دست
(28) سوراخ هایی برای تثبیت افقی
(29) میز اره
(30) درجه بندی برای زاویه مورب (افقی)
(31) محافظ در برابر واژگونی
(32) غلطک هدایت کننده
(33) قفل کننده محور دستگاه
(34) منفذ خروجی پرتو لیزر
(35) کلید روشن/خاموش
(36) کلید روشن/خاموش برای لیزر (علامت گذاری خط برش)
(37) خروجی تراشه
(38) پیچ خروسکی جهت تثبیت خط کش راهنمای قابل تنظیم
(39) سوراخ های گیره پیچی
(40) پیچ نگهدارنده برای محدوده زاویه مورب سمت راست (عمودی)
(41) نگهدارنده زاویه مورب استاندارد 45°، 22,5° و 33,9° (عمودی)
(42) پیچ نگهدارنده میز کشویی برای گسترش کفی اره
(43) پیچ ایمنی میز کشویی برای گسترش کفی اره
(44) نگهدارنده پایه قطعه کار (روی ابزار برقی)
(45) نگهدارنده پایه دوم قطعه کار (روی پایه قطعه کار)
(46) کیسه گرد و غبار
(47) پیچ آلن برای اتصال تیغه اره
(48) فلنج مهار
- (49) تیغه اره
(50) فلنج مهار داخلی
(51) پیچ خروسکی برای تنظیم ارتفاع میله رزوه دار
(52) میله رزوه دار
(53) پیچ خروسکی گیره پیچی
(54) پین های گیره پیچی
(55) نشانگر زاویه برای زاویه مورب (عمودی)
(56) درجه بندی برای زاویه مورب (عمودی)
(57) پیچ نگهدارنده برای قطعه نگهدارنده انتهای قطعه کار
(58) ریل راهنمای نگهدارنده انتهای قطعه کار
(59) پیچ خروسکی جهت تثبیت ریل راهنمای نگهدارنده انتهای قطعه کار
(60) پیچ های صفحه مونتاژ
(61) پیچ تنظیم برای موقعیت لیزر
(62) گونیا
(63) پیچ نگهدارنده برای زاویه مورب 0° (عمودی)
(64) پیچ های آلن خط کش راهنما
(65) پیچ نشانگر زاویه (عمودی)
(66) پیچ نشانگر زاویه (افقی)
- a) برای تمامی محصولات خاص هر کشور موجود نیست.

مشخصات فنی

GCM 254 D		اره مورب کشویی
3601M530..		شماره فنی
1800	W	توان ورودی نامی
4800	min ⁻¹	سرعت در حالت آزاد
650	nm	نوع لیزر
< 1	mW	کلاس لیزر
2		وزن
17,9	kg	کلاس ایمنی
II/□		

ابعاد تیغه های اره مناسب

254	mm	قطر تیغه اره
1,4-2,5	mm	ضخامت تیغه اره
3	mm	حداکثر عرض برش
25,4	mm	قطر سوراخ

ابعاد مجاز قطعه کار (حداکثر/حداقل): (رجوع کنید به „ابعاد مجاز برای قطعات کار“، صفحه 132)

مقادیر برای ولتاژ نامی [U] 230 ولت میباشند. برای ولتاژهای مختلف و تولیدات مخصوص کشورها، ممکن است این مقادیر متفاوت باشند.

دستگاه با الزامات استاندارد IEC 61000-3-11 مطابقت دارد و تحت شرایطی می تواند متصل شود. چنانچه وضعیت جریان برقی نامطلوب باشد، ممکن است دستگاه گاه و بگاه دچار نوسان ولتاژ گردد. امپدانس این دستگاه، برابر $Z_{actual} = 0,094 \Omega$ در نظر گرفته شده است. کاربرد باید اطمینان حاصل کند که نقطه اتصال دارای امپدانس Z_{max} که دستگاه قرار

است به آن متصل شود، یا امپدانس مورد نیاز مطابقت داشته باشد:
 $Z_{\text{actual}} \geq Z_{\text{max}}$. چنانچه Z_{max} مشخص نیست، مقدار Z_{max} را به کمک شرکت توزیع نیروی برق تعیین کنید.

مقادیر ممکن است بسته به محصول متفاوت باشند و بستگی به شرایط استفاده و محیطی دارند. اطلاعات بیشتر را در سایت www.bosch-professional.com/wac مشاهده نمایید.

نصب

◀ از روشن شدن ناخواسته ابزار برقی جلوگیری بعمل آورید. به هنگام مونتاژ قطعات و در حین انجام هر گونه کاری روی ابزار برقی، دوشاخه اتصال دهنده دستگاه به برق، نباید به جریان برق متصل باشد.

محتویات ارسالی

برای این منظور به شرح شرایط ارسال، در ابتدای دفترچه راهنما دقت کنید.



پیش از اینکه این ابزار برقی را برای اولین بار مورد استفاده قرار دهید، کنترل کنید که آیا قطعات مندرج زیر بطور کامل ارسال شده اند:

– ااره مورب کشویی با تیغه ااره نصب شده

– کیسه گرد و غبار (46)

– پایه قطعه کار (17) (2 قطعه)

(برای تمامی مدل های خاص هر کشور موجود نیست.)

– گیره پیچی (20)

– آچار آلن (24)

– گونیا (62)

– میز کشویی برای گسترش کفی ااره (16) (2 قطعه)

نکته: ابزار برقی را از نظر هر گونه آسیب دیدگی احتمالی کنترل کنید.

قبل از ادامه کار با ابزار برقی، کلیه تجهیزات ایمنی یا قطعات دارای آسیب دیدگی خفیف را از نظر قابلیت کامل انجام کار مقرر و عملکرد بینقص آنها، کنترل کنید. قطعات متحرک باید در خصوص عملکرد بدون عیب ونقص و گیر نکردن و آسیب دیدن آنها مورد بررسی قرار گیرد. برای تضمین در عملکرد صحیح و بدون نقص باید تمامی قطعات بطور صحیح نصب شده و شرایط لازم برای آنها فراهم شده باشد. قطعات و تجهیزات ایمنی آسپیدیده باید به شکلی مطلوب و توسط نمایندگیهای مجاز تعمیر و یا تعویض شوند.

نصب قطعات تکی

– با احتیاط بسته بندی ها را از دستگاه برقی و قطعات متعلقه و ملحقات ارسالی جدا کنید.

– همه بسته بندی ها را از دستگاه برقی و قطعات متعلقه و ملحقات ارسالی جدا کنید.

– برای سهولت کار هنگام مونتاژ اجزای دستگاه ارائه شده، مطمئن شوید که ابزار برقی در موقعیت حمل و نقل قرار دارد.

نصب میز کشویی برای گسترش کفی ااره (رجوع کنید به تصویر A1)

برای افزایش پهنای میز برش، میتوان هم در سمت چپ و هم در سمت راست ابزار برقی، میز کشویی قابل بسط را نصب نمود.

– پیچ های ایمنی (43) را با یک پیچ گوشتی چهارسو از میز کشویی قابل بسط باز کنید.

– ابزار برقی را کج کنید.

– میز کشویی برای گسترش کفی ااره (16) را در هر دو طرف ابزار برقی تا انتهای سوراخ های تعبیه شده بکشید.

– جهت جلوگیری از خروج آن، پیچ های ایمنی (43) را دوباره درون میز کشویی قابل بسط ببندید.

نحوه نصب پایه های قطعه کار (رجوع کنید به تصویر A2)

پایه های قطعه کار (17) را می توان چپ، راست یا جلوی ابزار برقی قرار داد. سیستم اتصال انعطاف پذیر امکان ارائه افزایش انواع طول ها یا عرض ها را به شما می دهد (رجوع کنید به تصویر G).

– در صورت نیاز، پایه قطعه کار (17) را در نگهدارنده (44) روی ابزار برقی یا در نگهدارنده (45) پایه دوم قطعه کار قرار دهید.

◀ هرگز ابزار برقی را توسط پایه های قطعه کار حمل نکنید.

هنگام حمل و نقل ابزار برقی، فقط از تجهیزات حمل و نقل استفاده کنید.

نحوه نصب در محل ثابت یا متغیر

◀ برای تضمین استفاده مطمئن از این ابزار برقی، باید ابزار برقی را پیش از شروع به کار روی یک سطح صاف و ثابت کاری (بعنوان مثال روی یک میز کار) نصب کنید.

نصب روی سطح کار (رجوع کنید به تصویر B1-B2)

– ابزار برقی را به وسیله پیچهای اتصال مناسب روی سطح کار محکم کنید. سوراخها (9) بدین منظور مورد استفاده قرار میگیرند.

یا
 – ابزار برقی را به وسیله یک گیره پیچی معمولی موجود در بازار، از محل پایههای دستگاه به سطح کار محکم کنید.

نحوه نصب بر روی یک میز کار Bosch

میز کار GTA بوش با قابلیت تنظیم ارتفاع پایهها، استقرار ابزار برقی را بر روی هر سطحی امکان پذیر میسازد. پایه های قطعه کارمیز کار، جهت پشتیبانی هنگام کار با قطعات بلند مورد استفاده قرار میگیرند.

◀ لطفاً کلیه نکات ایمنی و دستورالعمل های پیوست شده در رابطه با میز کار را بدقت مطالعه کنید.

اشتباهات ناشی از عدم رعایت این نکات و دستورالعمل های ایمنی، ممکن است باعث برق گرفتگی، حریق و یا سایر جراحات های شدید شود.

– کیسه گرد و غبار (46) را روی محل خروج تراشه و خاک اره (37) قرار دهید.

کیسه گرد و غبار به هیچ وجه نباید هنگام اره کردن با قسمت های متحرک دستگاه تماس پیدا کند. کیسه گرد و غبار را به موقع خالی کنید.

◀ **پس از هر بار استفاده از کیسه جمع آوری گرد و غبار، آنرا کنترل و تمیز کنید.**

◀ **به منظور جلوگیری از خطر آتش سوزی، به هنگام اره کردن آلومینیوم کیسه جمع آوری گرد و غبار و تراشه را جدا کنید.**

مکش گرد و غبار توسط مکنده مجزا

برای مکش می توانید محل خروجی تراشه (37) را به شیلنگ مکش گرد و غبار (قطر 35 mm) وصل کنید. دستگاه مکنده باید برای قطعه کار مورد نظر مناسب باشد.

برای مکش گرد و غباری که برای سلامتی مضرند و سرطان زا هستند و یا برای مکش تراشه های خشک باید از یک دستگاه مکنده مخصوص استفاده کنید.

تعویض تیغه اره (رجوع کنید به تصویر D1-D4)

◀ **پیش از انجام هرگونه کاری بر روی ابزار الکتریکی، دوشاخه اتصال آنرا از داخل پریز برق بیرون بکشید.**

◀ **به هنگام مونتاژ تیغه اره از دستکش ایمنی استفاده کنید.** در تماس با تیغه اره خطر آسیب دیدگی و جراحت وجود دارد.

فقط از تیغه های اره ای استفاده کنید که حداکثر سرعت مجاز آنها از سرعت در حالت آزاد (بدون بار) ابزار برقی شما بیشتر باشد.

فقط از تیغه های اره ای استفاده کنید که دارای مشخصات و ارقام فنی مندرج در این دستورالعمل کاری باشند و طبق استاندارد EN 847-1 کنترل و آزمایش شده و مطابق آن علامتگذاری شده باشند. فقط از تیغه های اره ای استفاده کنید که توسط سازنده این ابزار برقی توصیه شده است و همچنین برای جنس قطعه کار مورد نظر مناسب باشد. این از داغ شدن بیش از حد دندانه های اره هنگام اره کاری جلوگیری می کند.

نحوه باز کردن و برداشتن تیغه اره

– ابزار برقی را در وضعیت آماده برای انجام کار قرار دهید.

– حفاظ ایمنی متحرک (8) را به عقب بچرخانید و آن را در این موقعیت نگه دارید.

– پیچ آلن (47) را با آچار آلن (8 میلیمتر) (24) بچرخانید و بطور همزمان قفل کننده محور دستگاه (33) را فشار دهید تا جا بیفتد.

– قفل کننده محور دستگاه (33) را فشرده نگه دارید و پیچ آلن (47) را در جهت چرخش عقربه های ساعت (رزوه چپ!) به بیرون بچرخانید.

– فلنج مهار (48) را بردارید.

– تیغه اره (49) را جدا کنید.

– حفاظ ایمنی متحرک را دوباره آهسته به سمت پایین هدایت کنید.

◀ **پیش از نصب ابزار برقی، ابتدا میز کار را بدرستی نصب و مستقر کنید.** مونتاژ صحیح و استقرار کامل و بدون ایراد میز کار، برای جلوگیری از در هم شکستن آن بسیار پر اهمیت است.

– ابزار برقی را در موقعیت حمل و نقل بر روی میز کار نصب کنید.

قرار دادن آزاد (توصیه نمی شود!)(رجوع کنید به تصویر B3)

چنانچه در موارد استثنایی ممکن نباشد، ابزار الکتریکی را روی سطح صاف و ثابت نصب کرد، می توانید آن را به کمک حفاظ واژگون شدن و پایه اضافی سرپا کنید.

◀ **بدون گیره ی محافظت از واژگون شدن و حفاظ واژگون شدن ابزار برقی مطمئن قرار نمی گیرد و ممکن است بخصوص هنگام اره کاری با بیشترین زاویه ی برش فارسی واژگون شود.**

– حفاظ واژگون شدن (31) را آنقدر به درون و بیرون بپیچانید تا ابزار برقی، صاف روی سطح کار قرار گیرد.

مکش گرد، براده و تراشه

گرد و غبار موادی مانند رنگ های دارای سرب، بعضی از چوب ها، مواد معدنی و فلزات میتوانند برای سلامتی مضر باشند. دست زدن و یا تنفس کردن گرد و غبار ممکن است باعث بروز آلرژی و یا بیماری مجاری تنفسی شخص استفاده کننده و یا افرادی که در آن نزدیکی میباشند، بشود. گرد و غبارهای مخصوصی مانند گرد و غبار درخت بلوط و یا درخت راش سرطان زا هستند، بخصوص ترکیب آنها با سایر موادی که برای کار بر روی چوب (کرومات، مواد برای محافظت از چوب) بکار برده میشوند. فقط افراد متخصص مجازند با موادی که دارای آزیست میباشند کار کنند.

– حتی الامکان از یک دستگاه مکش مناسب و درخورد ماده (قطعه کار) استفاده کنید.

– توجه داشته باشید که محل کار شما از تهویه هوای کافی برخوردار باشد.

– توصیه میشود از ماسک تنفسی ایمنی با درجه فیلتر P2 استفاده کنید.

به قوانین و مقررات معتبر در کشور خود در رابطه با استفاده از مواد و قطعات کاری توجه کنید.

◀ **از تجمع گرد و غبار در محل کار جلوگیری کنید.** گرد و غبار می توانند به آسانی مشتعل شوند.

دستگاه مکنده گرد و غبار و تراشه ممکن است در اثر گرد و غبار، تراشه ها، براده ها یا در اثر مکش تکه های کوچک قطعه کار مسدود شود.

– ابزار برقی را خاموش کنید و دو شاخه اتصال دستگاه را از داخل پریز برق بیرون بکشید.

– منتظر بمانید تا تیغه اره بطور کامل متوقف بشود.

– علت گرفتگی و انسداد را مشخص نموده و آنرا برطرف کنید.

مکش سرخود (رجوع کنید به تصویر C)

برای جمع کردن آسان تراشه ها، از کیسه گرد و غبار (46) استفاده کنید (متعلقات).

نحوه نصب کردن تیغه اره

◀ **هنگام نصب تیغه اره توجه داشته باشید که جهت برش (تیزی) دندان‌های تیغه اره (جهت فلش روی تیغه اره)، با جهت فلش روی قاب محافظ مطابقت داشته باشد!**

در صورت لزوم پیش از تنظیم، تمام قطعات نصب را تمیز کنید.

- حفاظ ایمنی متحرک (8) را به عقب برانید و آن را در این موقعیت نگه دارید.

- تیغه اره جدید را روی فلاشر مهر داخلی (50) قرار دهید.

- فلاشر مهر (48) و پیچ آلن (47) را قرار دهید.

- قفل کننده محور دستگاه (33) را فشار دهید تا جا بیفتد و پیچ آلن را خلاف جهت عقربه‌های ساعت سفت کنید.

- حفاظ ایمنی متحرک را دوباره آهسته به پایین برانید.

طرز کار با دستگاه

◀ **پیش از انجام هرگونه کاری بر روی ابزار الکتریکی، دوشاخه اتصال آنرا از داخل پریز برق بیرون بکشید.**

قفل ایمنی حمل و نقل

(رجوع کنید به تصویر E)

قفل ایمنی حمل و نقل (25) امکان جابجایی راحت ابزار برقی را، در هنگام حمل و نقل آن به نقاط مختلف کاری، برای شما فراهم میسازد.

نحوه آزاد سازی ابزار برقی (وضعیت کاری)

- بازوی ابزار را روی دسته (5) کمی به پایین فشار دهید تا از ایجاد فشار روی ایمنی حمل و نقل (25) بکاهید.

- ایمنی حمل و نقل (25) را کاملا به بیرون بکشید. بازوی ابزار را آهسته به طرف بالا ببرید.

نحوه ایمن نمودن ابزار برقی (وضعیت حمل و نقل و حرکت)

- پیچهای تنظیم (1)، را، در صورت گیر کردن آنها به بازوهای کشویی، (2) باز کنید. دستگیره دستگاه را بطور کامل به سمت جلو بکشید و برای محکم شدن بازوهای کشویی، پیچهای تنظیم را دوباره محکم کنید.

- پیچ تنظیم (23) را کاملا به طرف بالا بپیچانید.

- جهت قفل کردن میز اره (29) پیچ تثبیت (12) را سفت کنید.

- دستگیره دستگاه (5) را، تا جایی به سمت پایین هدایت کنید، که قفل ایمنی حمل و نقل بتواند (25) بطور کامل به داخل فشرده شود.

بازوی ابزار اکنون بطور مطمئن برای حمل و نقل قفل شده است.

نحوه آماده سازی برای کار

برای تضمین انجام برش‌های دقیق، باید بعد از کاربرد مستمر ابزار برقی، تنظیمات پایه و اولیه ابزار برقی را کنترل نموده و در صورت لزوم تنظیم و

اصلاح کنید.

برای این منظور به تجربه و ابزار ویژه نیاز دارید. تعمیرگاه مجاز و خدمات پس از فروش Bosch این کار را سریع و مطمئن انجام می‌دهد.

نحوه افزایش طول/عرض میز اره (رجوع کنید به تصویر F-G)

زیر قسمت انتهایی باز قطعات کاری سنگین و طویل را باید پایه زد و یا به نحوی مهار نمود.

میز اره را می‌توان به کمک میز کشویی برای گسترش کفی اره (16) از سمت چپ یا راست گسترش داد.

- پیچ نگهدارنده (42) را باز کنید.

- میز کشویی برای گسترش کفی اره (16) را به اندازه دلخواه به بیرون بکشید.

- برای ثابت کردن میز کشویی برای گسترش کفی اره، پیچ نگهدارنده (42) را دوباره محکم کنید.

سیستم اتصال انعطاف پذیر در پایه قطعه کار (17) امکان ارائه افزایش انواع طول‌ها یا عرض‌ها را به شما می‌دهد.

- در صورت نیاز، پایه قطعه کار (17) را در نگهدارنده (44) روی ابزار برقی یا در نگهدارنده (45) پایه دوم قطعه کار قرار دهید.

◀ هرگز ابزار برقی را توسط پایه‌های قطعه کار حمل نکنید.

هنگام حمل و نقل ابزار برقی، فقط از تجهیزات حمل و نقل استفاده کنید.

جداد کردن خط کش راهنما (رجوع کنید به تصویر H)

هنگام برش زاویه‌های مورب عمودی، باید خط کش راهنمای قابل تنظیم سمت چپ یا راست (19) را جدا کنید.

- پیچ‌های خروسکی (38) را باز کنید.

- خط کش راهنمای قابل تنظیم (19) را جدا کنید.

پس از اره کردن زاویه مورب عمودی، خط کش راهنمای قابل تنظیم (19) را دوباره قرار دهید و

پیچ‌های خروسکی (38) را محکم کنید.

نحوه تثبیت قطعه کار (رجوع کنید به تصاویر I1-I3)

برای تضمین ایمنی بیهیبه باید قطعه کار را همواره محکم مهار کنید.

از کار روی قطعات کوچکی که قابل مهار نیستند، خودداری کنید.

نحوه تثبیت عمودی

- قطعه کار را محکم به خط کش‌های راهنما (18) و (19) فشار دهید.

- گیره پیچی ارسالی (20) را در یکی از سوراخ‌های (39) تعبیه شده وارد کنید.

- پیچ خروسکی (51) را باز کنید و گیره پیچی را روی قطعه کار تنظیم کنید. سپس پیچ خروسکی را دوباره محکم کنید.

- میله رزوه دار (52) را محکم کرده و به این ترتیب قطعه کار را تثبیت کنید.

نحوه تثبیت افقی

- پیچ خروسکی (53) را به بیرون بپیچانید و خارج کنید و گیره پیچی را جدا کنید.

- جا بیفتد.
- اینگونه محدود نوسان سمت چپ را به طور کامل در اختیار دارید.
- دکمه قفل کننده (13) را به سمت بالا بکشید.
- بازوی ابزار روی دسته (5) را به سمت چپ حرکت دهید، تا نشانگر زاویه، زاویه مورب عمودی مورد نظر را نشان دهد.
- بازوی ابزار را در این وضعیت نگه دارید و دکمه قفل کننده (13) را دوباره به پایین فشار دهید.

تنظیم محدوده زاویه مورب عمودی سمت راست

- خط کش راهنمای قابل تنظیم سمت راست (19) را جدا کنید.
- نگهدارنده سمت راست (41) را بچرخانید تا زاویه مورب عمودی استاندارد 45° روی علامت فلش جا بیفتد.
- اینگونه محدود نوسان سمت راست را به طور کامل در اختیار دارید.
- دکمه قفل کننده (13) را به سمت بالا بکشید.
- دکمه تنظیم (21) را به آرامی به سمت چپ بچرخانید و بازوی ابزار روی دسته (5) را به راست برانید تا نشانگر زاویه، زاویه مورب عمودی مورد نظر را نشان دهد.
- بازوی ابزار را در این وضعیت نگه دارید و دکمه قفل کننده (13) را دوباره به پایین فشار دهید.

تنظیم زاویه مورب عمودی استاندارد (رجوع کنید به تصویر K)

- خط کش راهنمای قابل تنظیم راست/چپ (19) را جدا کنید.
- دکمه قفل کننده (13) را به سمت بالا بکشید.
- زاویه مورب استاندارد 0° :
- دکمه تنظیم (21) را به آرامی به سمت چپ بچرخانید و بازوی ابزار را از سمت راست روی موقعیت 0° حرکت دهید تا بازو به طور محسوس در موقعیت 0° جا بیفتد.
- دکمه قفل کننده (13) را دوباره به پایین فشار دهید.

زاویه مورب استاندارد 45° ، $33,9^\circ$ و $22,5^\circ$:

- نگهدارنده سمت چپ یا راست (41) را بچرخانید تا زاویه مورب عمودی استاندارد مورد نظر روی علامت فلش جا بیفتد.
- بازوی ابزار را تا انتها به سمت چپ حرکت دهید.
- دکمه تنظیم (21) را به آرامی به سمت چپ بچرخانید و بازوی ابزار روی دسته (5) را تا انتها به سمت راست حرکت دهید.
- دکمه قفل کننده (13) را دوباره به پایین فشار دهید.

راه اندازی و نحوه کاربرد دستگاه

- ◀ به ولتاژ برق شبکه توجه کنید! ولتاژ منبع جریان برق باید با مقادیر موجود بر روی برچسب ابزار الکتریکی مطابقت داشته باشد.
- ◀ پیچ تثبیت را قبل از اهر کاری (12) محکم کنید و دکمه قفل کننده (13) را به پایین فشار

- اکنون گیره پیچی "کوتاه" (20) را توسط پین ها (54) در یکی از سوراخ های تعبیه شده (28) وارد کنید.

- قطعه کار را روی میز اهر (29) محکم کنید.
- میله رزوه دار (52) را محکم کرده و به این ترتیب قطعه کار را تثبیت کنید.

نحوه آزاد کردن قطعه کار

- برای شل کردن گیره پیچی، میله رزوه دار (52) را خلاف جهت عقربه ساعت بچرخانید.

نحوه تنظیم زاویه مورب افقی

- ابزار برقی را در وضعیت کار قرار دهید.

تنظیم زاویه های فارسی افقی استاندارد (رجوع کنید به تصویر L)

- برای تنظیم سریع و دقیق، زاویه برشهای مورب افقی، که اغلب مورد استفاده قرار میگیرند، این زوایا به صورت شیارهایی (15) بر روی میز اهر از پیش در نظر گرفته شدهاند:

چپ	راست
0°	0°
45° ؛ $22,5^\circ$ ؛ 15°	45° ؛ $22,5^\circ$ ؛ 15°

- پیچ تثبیت (12) را در صورت محکم بودن، شل کنید.

- دکمه قفل کننده (11) را به پایین فشار دهید و میز اهر (29) را از محل پیچ تثبیت به سمت چپ یا راست بچرخانید، تا نشانگر زاویه (14)، زاویه مورب افقی استاندارد مورد نظر را نشان دهد.

- دکمه قفل کننده (11) را دوباره رها کنید. میز اهر باید کاملاً به طور محسوس در داخل شیار جا بیفتد.

- پیچ تثبیت (12) را دوباره محکم کنید.

تنظیم زاویه مورب افقی دلخواه

- زاویه مورب افقی را می توان در محدوده 47° (از سمت چپ) تا 52° (از سمت راست) تنظیم کرد.
- پیچ تثبیت (12) را در صورت محکم بودن، شل کنید.

- دکمه قفل کننده (11) را به پایین فشار دهید و میز اهر (29) را از محل پیچ تثبیت به سمت چپ یا راست بچرخانید، تا نشانگر زاویه (14)، زاویه مورب افقی استاندارد مورد نظر را نشان دهد.

- دکمه قفل کننده (11) را دوباره رها کنید.
- پیچ تثبیت (12) را دوباره محکم کنید.

نحوه تنظیم زاویه مورب عمودی

- زاویه مورب عمودی را می توان در محدوده 45° (سمت چپ) تا 45° (سمت راست) تنظیم کرد.
- جهت تنظیم دقیق و سریع زاویه های مورب عمودی متداول، نگهدارنده هایی برای زاویه های 0° ، $22,5^\circ$ ، $33,9^\circ$ و 45° در نظر گرفته شده اند.

تنظیم محدوده زاویه مورب عمودی سمت چپ

- خط کش راهنمای قابل تنظیم سمت چپ (19) را جدا کنید.
- نگهدارنده سمت چپ (41) را بچرخانید تا زاویه مورب عمودی استاندارد 45° روی علامت فلش

- در صورت نیاز، زاویه مورب افقی یا عمودی دلخواه را تنظیم کنید.
 - قطعه کار را محکم به گونیا (18) و (19) فشار دهید.
 - قطعه کار را متناسب با ابعاد مربوطه بخوبی مهار کنید.
 - بازوی محرک را آنقدر از گونیا (18) تا حدی دور کنید که تیغه اره جلوی قطعه کار قرار گیرد.
 - ابزار برقی را روشن کنید.
 - بازوی ابزار را با استفاده از دستگیره (5)، آهسته به سمت پایین هدایت کنید.
 - بازوی ابزار را در جهت گونیا (18) و (19) فشار دهید و قطعه کار را با وارد کردن فشاری یکنواخت، برش دهید.
 - ابزار برقی را خاموش کنید و منتظر بمانید که تیغه اره بطور کامل متوقف شود.
 - بازوی ابزار را آهسته به طرف بالا هدایت کنید.
- اره کردن بدون حرکت کشویی (درپوشها) (رجوع کنید به تصویر N)**
- برای برشهای بدون حرکت طولی (قطعات کوچک) پیچ تنظیم (1) را در صورت سفت بودن شل کنید.
 - بازوی ابزار را تا انتها در جهت گونیا (18) هدایت کنید و پیچ تنظیم (1) را دوباره محکم کنید.
 - در صورت نیاز، زاویه مورب افقی یا عمودی دلخواه را تنظیم کنید.
 - قطعه کار را محکم به گونیا (18) و (19) فشار دهید.
 - قطعه کار را متناسب با ابعاد مربوطه بخوبی مهار کنید.
 - ابزار برقی را روشن کنید.
 - بازوی ابزار را با دستگیره (5) آهسته به پایین هدایت کنید.
 - قطعه کار را با کششی یکنواخت اره کنید.
 - ابزار برقی را خاموش کنید و منتظر بمانید که تیغه اره بطور کامل متوقف شود.
 - بازوی ابزار را آهسته به طرف بالا هدایت کنید.

راهنماییهای عملی

مشخص نمودن و علامت گذاری خط برش (رجوع کنید به تصویر O)

- پرتو لیزر، خط برش تیغه اره را به شما نشان می دهد. از این طریق می توانید بدون اینکه حفاظ ایمنی متحرک را باز کنید، قطعه کار را جهت اره کردن به دقت در موقعیت برش قرار دهید.
- برای این کار، پرتو لیزر را با کلید (36) روشن کنید.
- علامت گذاری مد نظر خود را روی قطعه کار، روی مرکز خط لیزر تنظیم کنید.

نکته: قبل از اره کردن، نمایش صحیح خط برش را بررسی کنید. پرتو لیزر می تواند بطور مثال در اثر ارتعاش ناشی از کاربرد پی در پی جابجا شود.

ابعاد مجاز برای قطعات کار

حداکثر قطعات کار:

دهید. در غیر این صورت امکان گیر کردن تیغه اره در قطعه کار وجود دارد.

روشن کردن (رجوع کنید به تصویر L)

- برای راه اندازی، دستگاه برقی، ابتدا دکمه قفل (6). را فشار دهید و سپس کلید روشن/خاموش (35) را تا انتها فشار دهید و نگه دارید.
- نکته:** بنا به دلایل ایمنی، کلید قطع و وصل (35) را نمی توان تثبیت و قفل کرد، بلکه آنرا باید در حین کار همواره در حالت فشرده نگهداشت.

خاموش کردن

- برای خاموش کردن کلید قطع و وصل (35) را رها کنید.

اره کردن

دستورالعمل ها و توضیحات کلی برای اره کاری

- ◀ پیچ تثبیت را قبل از اره کاری (12) محکم کنید و دکمه قفل کننده (13) را به پایین فشار دهید. در غیر این صورت امکان گیر کردن تیغه اره در قطعه کار وجود دارد.

- ◀ در انجام همه برش ها باید ابتدا کنترل و اطمینان حاصل نمائید، که تیغه اره به هیچ وجه با خط کش راهنما، گیره پیچی یا سایر قطعات دستگاه تماس پیدا نمی کند. حایل های کمکی احتمالاً مونتاژ شده را بردارید و یا آنها را با لزومات کاری مطابقت بدهید.

تیغه اره را در برابر ضربه محافظت کنید. تیغه اره نباید در معرض هیچگونه فشار جانبی قرار بگیرد. تنها موادی را برش دهید که بر اساس مقررات کاربری مجاز باشند.

- از کار بر روی قطعه کار خمیده و ناصاف خودداری کنید. قطعه کار باید همواره دارای یک لبه صاف جهت قرار دادن کنار خط کش راهنما باشد.
- زیر قسمت انتهایی باز قطعات کاری سنگین و طویل را باید پایه زد و یا به نحوی مهار نمود.
- از عملکرد صحیح حفاظ ایمنی متحرک و حرکت آزادانه آن اطمینان حاصل کنید. هنگام هدایت بازوی ابزار به پایین باید حفاظ ایمنی متحرک باز شود. هنگام هدایت بازوی ابزار به بالا باید حفاظ ایمنی متحرک روی تیغه اره دوباره بسته شود و در بالاترین موقعیت بازوی ابزار قفل شود.

حالت کاربر (رجوع کنید به تصویر M)

- ◀ از ایستادن و قرار گرفتن در مسیر تیغه اره در سمت جلوی ابزار برقی خودداری نموده و همواره در سمت جانبی (در پهلو) تیغه اره با فاصله بایستید. از این طریق، بدن شما در برابر پس زدن احتمالی دستگاه محفوظ می ماند.
- دست ها، بازوها و انگشتان خود را از تیغه اره در حال چرخش دور نگهدارید.
- دستان خود را جلوی بازوی ابزار ضربدری روی هم نیاندازید.

اره کردن با حرکت کشویی

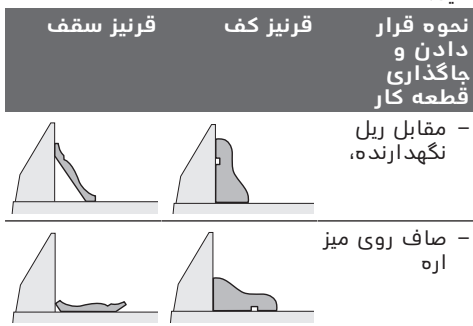
- برای برشهای به کمک بازوی کشویی (2) (قطعات عرض) پیچ تنظیم (1) را در صورت سفت بودن، باز کنید.

در صورت لزوم باید یک گیره نگهدارنده ویژه درست کنید.

- تعویض صفحه مونتاژ (رجوع کنید به تصویر R)**
 پس از استفاده طولانی مدت از ابزار برقی، ممکن است صفحه مونتاژ (10) مستهلک شود.
 صفحه مونتاژ معیوب را تعویض کنید.
 - ابزار برقی را در وضعیت آماده به کار قرار دهید.
 - پیچ‌ها (60) را با پیچ گوهی چهارسوی رایج در بازار باز و صفحه مونتاژ قدیمی (10) را بردارید.
 - صفحه مونتاژ جدید را قرار دهید و پیچ‌ها (60) را دوباره محکم کنید.

کار روی پروفیل

نوار پروفیل را میتوانید به دو طریق مختلف اهره کنید:



علاوه بر این می‌توانید برحسب پهنای نوار پروفیل، برش‌ها را هم با حرکت کشویی و هم بدون حرکت کشویی انجام دهید.
 همواره ابتدا زاویه مورب تنظیم شده (افقی و/یا عمودی) را روی یک قطعه چوب باقیمانده امتحان کنید.

تنظیم کردن لیزر

نکته: جهت آزمایش عملکرد لیزر بایستی ابزار برقی به برق وصل باشد.

◀ هرگز کلید روشن/خاموش را هنگام تنظیم لیزر (مثلاً هنگام حرکت دادن بازوی ابزار)، فعال نکنید.

- روشن شدن ناخواسته ابزار برقی می‌تواند باعث ایجاد جراثیم گردد.
 - ابزار برقی را در وضعیت آماده برای انجام کار قرار دهید.
 - میز اهره (29) را تا شیار (15) 0° بچرخانید. اهرم باید کاملاً بطور محسوس در داخل شیار قرار بگیرد.

برای تضمین انجام برش‌های دقیق، باید بعد از کاربرد مستمر، پرتوهای لیزر را کنترل و در صورت لزوم از نو تنظیم کنید.
 برای این منظور، به تجربه و ابزار مخصوص نیاز دارید. تعمیرگاه مجاز و خدمات پس از فروش بوش این کار را سریع و مطمئن انجام می‌دهد.

نحوه کنترل (رجوع کنید به تصویر S1)

- یک خط برش مستقیم روی یک قطعه کار رسم کنید.

زاویه مورب افقی	زاویه مورب عمودی	ارتفاع x عرض [mm]
0°	0°	310 x 90
45°	0°	210 x 90
0°	45° (چپ)	310 x 45
45°	45° (چپ)	210 x 45
0°	45° (راست)	310 x 35
45°	45° (راست)	210 x 35

حداقل قطعات کار (= همه قطعات کاری که بتوان آنها را با گیره پیچی ارسالی (20) در سمت چپ یا راست تیغه اهره محکم کرد): 130 x 50 mm (طول x عرض)

حداکثر عمق برش (0°/0°): 90 mm

نحوه اهره کردن قطعات کار با طول یکسان (رجوع کنید به تصویر P)

جهت اهره کاری آسان قطعات کار با طول یکسان، می‌توان از نگهدارنده انتهایی قطعه کار (26) استفاده کرد.

- پیچ نگهدارنده (57) را شل کنید و نگهدارنده انتهایی قطعه کار (26) را در ریل راهنما (58)، روی اندازه مورد نظر قرار دهید.
 - پیچ نگهدارنده (57) را دوباره محکم کنید.
 - قطعات کار با طول بیشتر:
 - پیچ خروسکی (59) را شل کنید و ریل راهنما (58) را تا انتها به سمت بیرون بکشید.
 - پیچ خروسکی (59) را دوباره محکم کنید.
 - نگهدارنده انتهایی قطعه کار (26) را روی اندازه مورد نظر تنظیم کنید.

- اهره کردن بدون نگهدارنده انتهایی قطعه کار:
 - پیچ نگهدارنده (57) را شل کنید و نگهدارنده انتهایی قطعه کار (26) را در ریل راهنما (58) بطور کامل به سمت بیرون حرکت دهید.
 - نگهدارنده انتهایی قطعه کار را حدود 90° بچرخانید تا با خط کش راهنما (18) تماس شود.
 - پیچ نگهدارنده (57) را دوباره محکم کنید.

تنظیم نگهدارنده عمق (شیار انداختن) (رجوع کنید به تصویر Q)

- برای اهره کردن یک شیار، باید تعیین کننده عمق برش را تنظیم نمود.
 - نگهدارنده عمق (22) را به بیرون برانید.
 - بازوی ابزار روی دسته (5) را به حالت دلخواه برانید.
 - پیچ تنظیم (23) را آنقدر برعکس بچرخانید که انتهایی پیچ، با نگهدارنده عمق (22) تماس پیدا کند.
 - بازوی ابزار را آهسته به طرف بالا ببرید.

قطعات کاری ویژه

در بریدن قطعات کاری خمیده یا قطعات گرد، باید با مهار کردن صحیح از لغزیدن قطعه کار جلوگیری کنید. در خط برش نباید هیچ فاصله یا شکافی مابین قطعه کار، خط کش راهنما و میز اهره وجود داشته باشد.

- دکمه قفل کننده (13) را دوباره به پایین فشار دهید.
- سپس مهره پیچ نگهدارنده (63) را دوباره محکم کنید.
- چنانچه نشانگر زاویه (55) پس از تنظیم با عدد 0° در صفحه مدرج (56) در یک راستا نباشد، پیچ (65) را با یک پیچ گوشتی چهارسو معمولی شل کنید و نشانگر زاویه را در امتداد عدد 0° تنظیم کنید (رجوع کنید به تصویر W).

تنظیم زاویه مورب عمودی استاندارد 45° (راست)

- ابزار برقی را در وضعیت کار قرار دهید.
- میز اره (29) را تا شیار (15) برای 0° بچرخانید. اهرم باید کاملاً به طور محسوس در داخل شیار جا بیفتد.
- خط کش راهنمای قابل تنظیم راست (19) را جدا کنید.
- نگهدارنده سمت راست (41) را بچرخانید تا زاویه مورب استاندارد 45° روی علامت فلش جا بیفتد.
- دکمه قفل کننده (13) را به سمت بالا بکشید.
- دکمه تنظیم (21) را به سمت چپ بچرخانید و بازوی ابزار روی دسته (5) را تا انتها به سمت راست حرکت دهید.

نحوه بررسی کردن (رجوع کنید به تصویر U1)

- گونیا (62) را با زاویه 45° به طور هم سطح نسبت به تیغه اره (49) بین میز اره (29) و تیغه اره، در سمت راست میز اره قرار دهید.
- ضلع گونیا باید در تمام طول آن با تیغه اره (49) هم سطح باشد.

نحوه تنظیم (رجوع کنید به تصویر U2)

- مهره پیچ نگهدارنده (40) را با یک آچار تخت یا رینگ معمولی در بازار باز کنید.
- پیچ نگهدارنده (40) را تا اندازه ای به داخل یا خارج بچرخانید تا ضلع گونیا (62) در تمام طول آن با تیغه اره هم سطح باشد.
- دکمه قفل کننده (13) را دوباره به پایین فشار دهید.
- سپس مهره پیچ نگهدارنده (40) را دوباره محکم کنید.

- چنانچه نشانگر زاویه (55) پس از تنظیم با عدد 45° صفحه مدرج (56) در یک راستا نباشد، ابتدا تنظیم عدد 0° برای زاویه مورب عمودی و نشانگر زاویه را یک بار دیگر کنترل کنید. سپس تنظیم زاویه مورب عمودی 45° را تکرار کنید.

نحوه تنظیم خط کش راهنما

- ابزار برقی را در وضعیت آماده برای حمل و نقل قرار دهید.
- پیچ تثبیت (12) را در صورت محکم بودن، شل کنید.
- دکمه قفل کننده (11) را به پایین فشار دهید و میز اره (29) را تا شیار (15) برای 0° بچرخانید.
- دکمه قفل کننده (11) را دوباره رها کنید. میز اره باید کاملاً به طور محسوس در داخل شیار جا بیفتد.

- بازوی ابزار را با استفاده از دستگیره (5)، آهسته به سمت پایین هدایت کنید.
- قطعه کار را طوری تنظیم کنید که دندانه های تیغه اره با خط برش در یک امتداد قرار گیرند.
- قطعه کار را در این حالت محکم نگه دارید و بازوی ابزار را آهسته دوباره به سمت بالا هدایت کنید.
- قطعه کار را محکم مهار کنید.
- پرتو لیزر را با استفاده از کلید (36) روشن کنید. پرتو لیزر باید در تمام طول برش، منطبق بر خط برش موجود روی قطعه کار باشد، و این تراز و تطابق باید حتی زمانیکه بازوی ابزار به طرف پائین هدایت می شود، نیز برقرار باشد.

نحوه تنظیم (رجوع کنید به تصویر S2)

- پیچ تنظیم (61) را با استفاده از یک پیچگوشتی مناسب بچرخانید تا زمانی که پرتوی لیزر در تمام مسیر با خط برش روی قطعه کار منطبق شود.
- یک چرخش در خلاف جهت عقربه های ساعت، پرتو لیزر را از چپ به راست حرکت می دهد، و یک چرخش در جهت حرکت عقربه های ساعت، پرتو لیزر را از راست به چپ حرکت می دهد.

تنظیم و کنترل تنظیمات پایه

- برای تضمین انجام برش های دقیق، باید بعد از کاربرد مستمر ابزار برقی، تنظیمات پایه و اولیه ابزار برقی را کنترل نموده و در صورت لزوم تنظیم و اصلاح کنید.
- برای این منظور به تجربه و ابزار ویژه نیاز دارید. تعمیرگاه مجاز و خدمات پس از فروش Bosch این کار را سریع و مطمئن انجام می دهد.

تنظیم زاویه برش مورب عمودی استاندارد 0°

- ابزار برقی را در وضعیت کار قرار دهید.
- میز اره (29) را تا شیار (15) برای 0° بچرخانید. اهرم باید کاملاً به طور محسوس در داخل شیار جا بیفتد.
- دکمه قفل کننده (13) را به سمت بالا بکشید.
- دکمه تنظیم (21) را به آرامی به سمت چپ بچرخانید و بازوی ابزار را از سمت راست روی موقعیت 0° حرکت دهید تا بازو به طور محسوس در موقعیت 0° جا بیفتد.
- دکمه قفل کننده (13) را دوباره به پایین فشار دهید.

نحوه بررسی کردن (رجوع کنید به تصویر T1)

- گونیا (62) را با زاویه 90° به طور هم سطح نسبت به تیغه اره (49) بین میز اره (29) و تیغه اره روی میز اره (29) قرار دهید.

- ضلع گونیا باید در تمام طول آن با تیغه اره (49) هم سطح باشد.

نحوه تنظیم (رجوع کنید به تصویر T2)

- مهره پیچ نگهدارنده (63) را با یک آچار تخت یا رینگ معمولی در بازار باز کنید.
- پیچ نگهدارنده (63) را تا اندازه ای به داخل یا خارج بچرخانید تا ضلع گونیا (62) در تمام طول آن با تیغه اره هم سطح باشد.

- خط کش های راهنمای قابل تنظیم (19) را جدا کنید.
- بررسی کنید (رجوع کنید به تصویر V1)**
- گونیا (62) را با زاویه 90° به طور هم سطح نسبت به تیغه اره (49) بین میز اره (18) و تیغه اره روی میز اره (29) قرار دهید.
- ضلع گونیا باید در تمام طول آن با خط کش راهنما هم سطح باشد.
- نحوه تنظیم (رجوع کنید به تصویر V2)**
- کلیه پیچهای آلن (64) را با آچار آلن (24) ارسال باز کنید.
- خط کش راهنما (18) را به قدری بچرخانید تا با گونیا در تمام طول آن هم سطح باشد.
- پیچها را مجدداً محکم کنید.

تراز کردن نشانگر زاویه (عمودی) (رجوع کنید به تصویر W)

- دکمه قفل کننده (13) را به سمت بالا بکشید.
- دکمه تنظیم (21) را به آرامی به سمت چپ بچرخانید و بازوی ابزار را از سمت راست روی موقعیت 0° حرکت دهید تا بازو به طور محسوس در موقعیت 0° جا بیفتد.
- دکمه قفل کننده (13) را دوباره به پایین فشار دهید.

نحوه کنترل

- نشانگر زاویه (55) باید با عدد 0° صفحه مدرج (56)، در یک راستا باشد.

نحوه تنظیم

- پیچ (65) را با پیچ گوشتی چهارسو شل کنید و نشانگر زاویه را در امتداد عدد 0° صفحه مدرج تنظیم کنید.
- پیچ مربوطه را مجدداً محکم کنید.

تنظیم نشانگر زاویه (افقی) (رجوع کنید به تصویر X)

- ابزار برقی را در وضعیت آماده برای انجام کار قرار دهید.
- میز اره (29) را تا شیار (15) 0° بچرخانید. اهرم باید بطور محسوس در داخل شیار قرار بگیرد.

نحوه کنترل

- نشانگر زاویه (14) باید با عدد 0° صفحه مدرج (30) در یک خط باشد.

نحوه تنظیم

- پیچ (66) را با یک آچارپیچگوشتی چهارسو شل کنید و نشانگر زاویه را در امتداد عدد 0° صفحه مدرج تنظیم کنید.
- پیچ مربوطه را مجدداً محکم کنید.

نحوه حمل و نقل ابزار برقی (رجوع کنید به تصویر Y)

- قبل از حمل و نقل ابزار برقی باید اقدامات زیر را انجام دهید:
- پیچ تثبیت (1) را در صورت محکم بودن، شل کنید. بازوی ابزار را کاملاً به طرف جلو بکشید و پیچ تثبیت مربوطه را مجدداً محکم ببندید.
- مطمئن شوید که نگه دارنده عمق (22) به طور کامل به داخل فشرده شده باشد و پیچ تنظیم

- (23) هنگام حرکت بازوی ابزار بدون تماس با نگه دارنده عمق در شیار جا بیفتد.
- ابزار برقی را در وضعیت آماده برای حمل و نقل قرار دهید.
- کلیه قطعات و متعلقاتی که قابل نصب بر ابزار برقی به صورت ثابت نیستند را بردارید. تیغه های اره که مورد استفاده قرار نگرفته اند را در صورت امکان برای حمل و نقل داخل یک محفظه بسته قرار دهید.
- ابزار برقی را از دسته حمل و نقل (4) یا از قسمت تو رفتگی جای دست (27) کنار میز اره بگیرید.
- ◀ **برای حمل و نقل ابزار برقی، فقط از تجهیزات حمل و نقل استفاده کنید و هیچوقت از تجهیزات ایمنی یا پایه قطعه کار برای حمل و نقل استفاده نکنید.**

مراقبت و سرویس

مراقبت، تعمیر و تمیز کردن دستگاه

- ◀ **پیش از انجام هرگونه کاری بر روی ابزار الکتریکی، دوشاخه اتصال آنرا از داخل پریر برق بیرون بکشید.**

◀ ابزار الکتریکی و شیارهای تهویه آنرا تمیز نگاه دارید، تا ایمنی شما در کار تضمین گردد.

- در صورت نیاز به یک کابل بدکی برای اتصال به شبکه برق، بایستی به شرکت Bosch و یا به نمایندگی مجاز Bosch (خدمات پس از فروش) برای ابزار آلات برقی مراجعه کنید تا از بروز خطرات ایمنی جلوگیری بعمل آید.
- حفاظ ایمنی (قاب محافظ) خودکار باید همواره آزادانه قابل حرکت باشد و بطور خودکار بسته شود. از اینرو محدوده حفاظ ایمنی خودکار را همیشه تمیز نگهدارید.

- بعد از انجام هر مرحله کار، گرد و غبار و تراشه ها را به وسیله فشار هوا و یا بوسیله یک قلم مو از دستگاه دور کنید.
- غلطک هدایت کننده (32) را بطور مرتب تمیز کنید.

اقدامات برای کاهش سر و صدا

- اقدامات از طرف تولید کننده:
- روشن شدن آرام الکترونیکی
- ارسال با یک کاهنده سر و صدای ویژه تیغه اره
- اقدامات از طرف کاربر:
- نصب بدون لرزش روی یک سطح کار ثابت
- استفاده از تیغه اره های دارای کاهنده سر و صدا
- تمیز کردن مرتب تیغه اره و ابزار برقی

خدمات و مشاوره با مشتریان

- خدمات مشتری، به سئوالات شما درباره تعمیرات، سرویس و همچنین قطعات بدکی پاسخ خواهد داد. نقشه های سه بعدی و اطلاعات مربوط به قطعات بدکی را در تارنمای زیر میابید:

www.bosch-pt.com

گروه مشاوره به مشتریان Bosch با کمال میل به

سؤالات شما درباره محصولات و متعلقات پاسخ می دهند.

برای هرگونه سؤال و یا سفارش قطعات یدکی، حتماً شماره فنی 10 رقمی کالا را مطابق برچسب روی ابزار برقی اطلاع دهید.

ایران

روبرت بوش ایران - شرکت بوش تجارت پارس
میدان ونک، خیابان شهید خدای، خیابان آفتاب
ساختمان مادیران، شماره 3، طبقه سوم.
تهران 1994834571
تلفن: 9821+ 42039000

آدرس سایر دفاتر خدماتی را در ادامه ببینید:

www.bosch-pt.com/serviceaddresses

از رده خارج کردن دستگاه

ابزار برقی، متعلقات و بسته بندی آن، باید طبق مقررات حفظ محیط زیست از رده خارج و بازیافت شوند.

ابزارهای برقی را داخل زباله دان خانگی نیندازید!

