



GH0 185-LI Professional

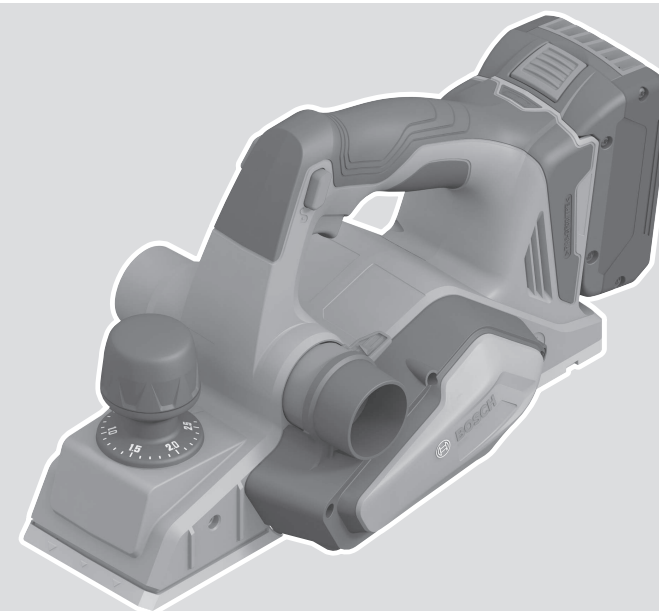
Robert Bosch Power Tools GmbH
70538 Stuttgart
GERMANY

www.bosch-pt.com

1 609 92A 8GP (2023.06) 0 / 103



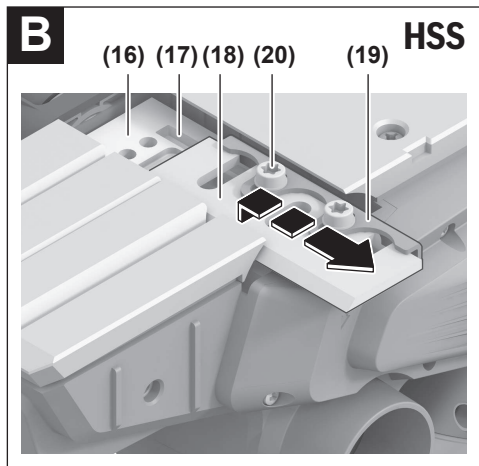
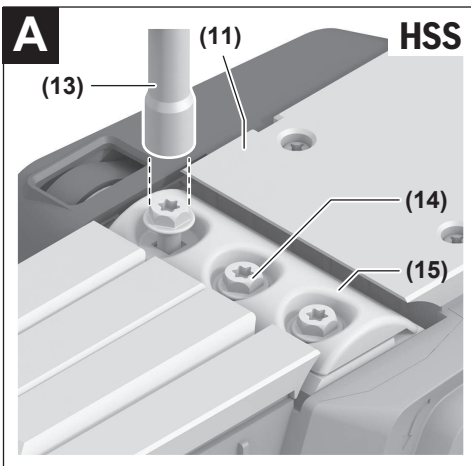
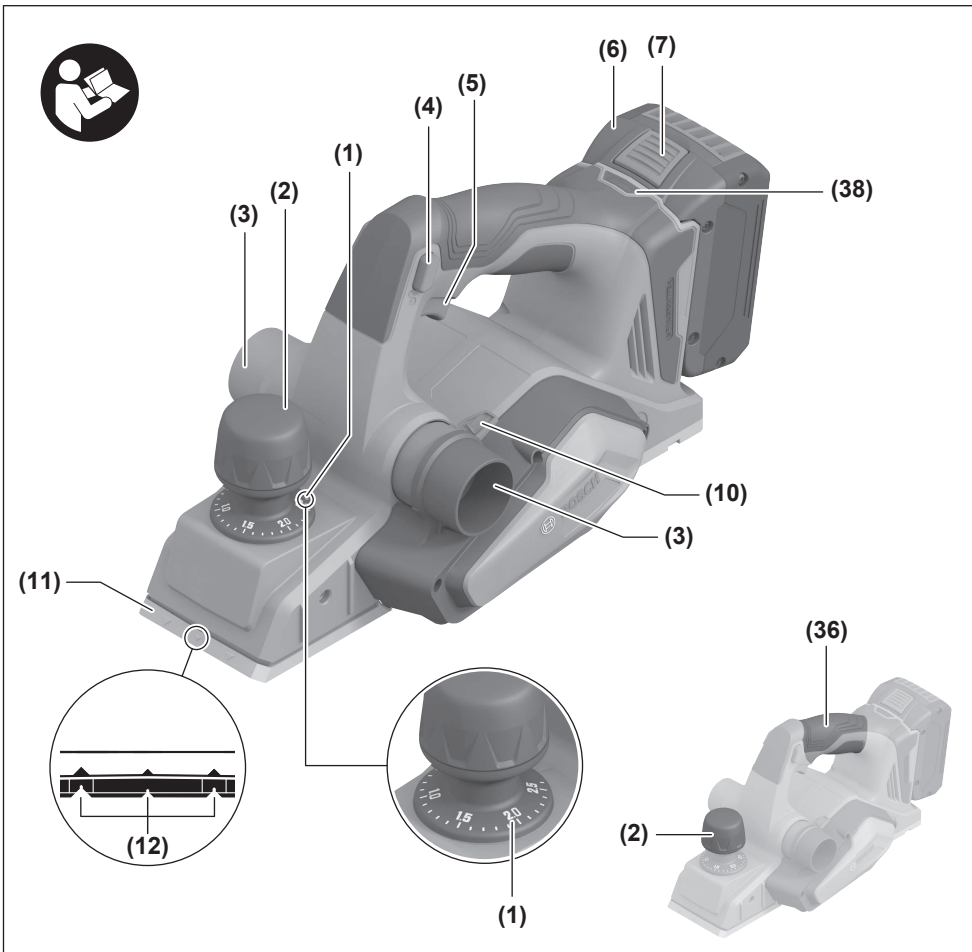
1 609 92A 8GP

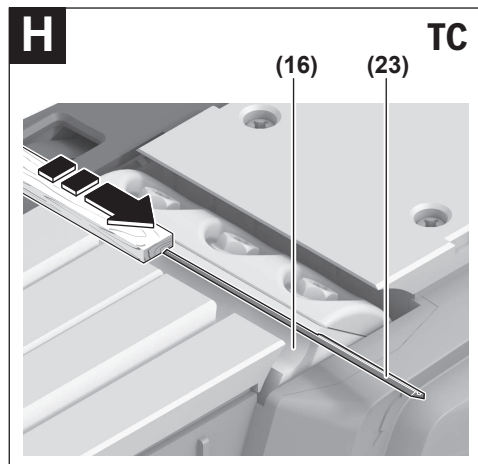
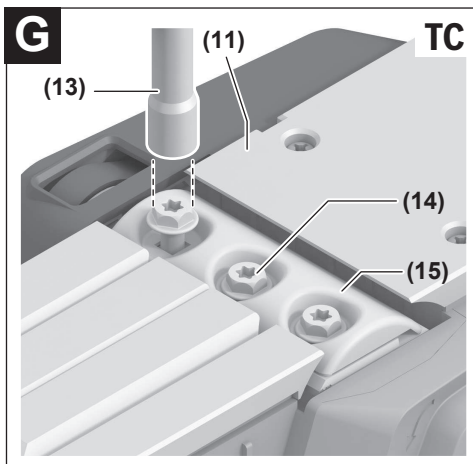
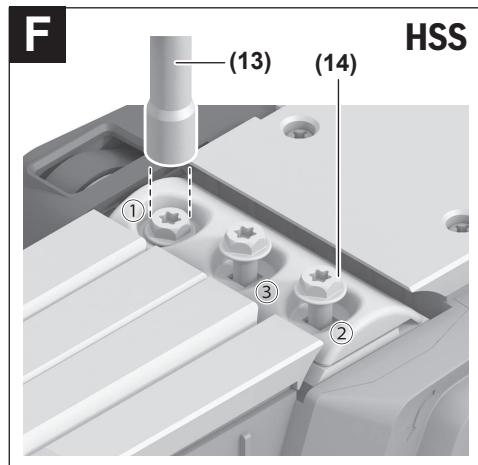
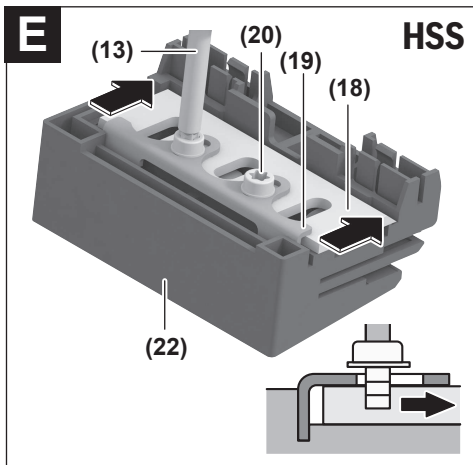
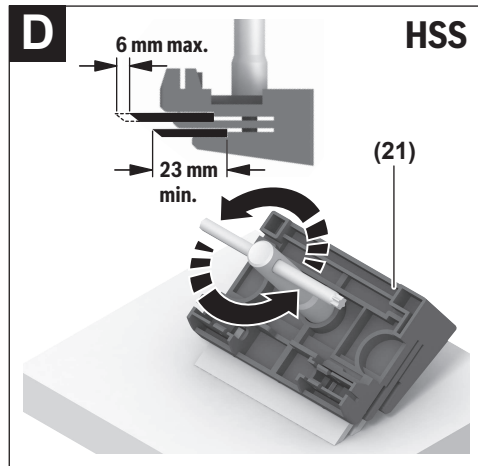
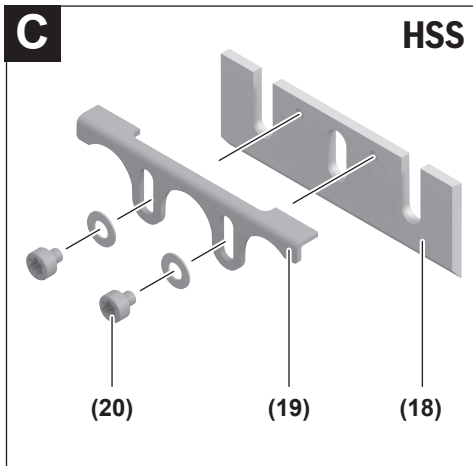


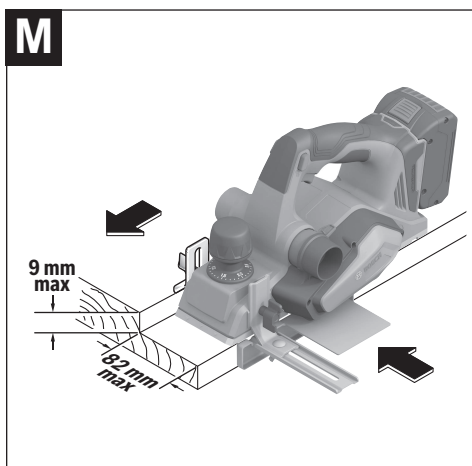
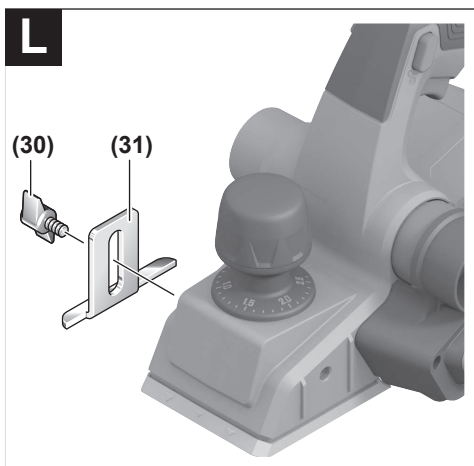
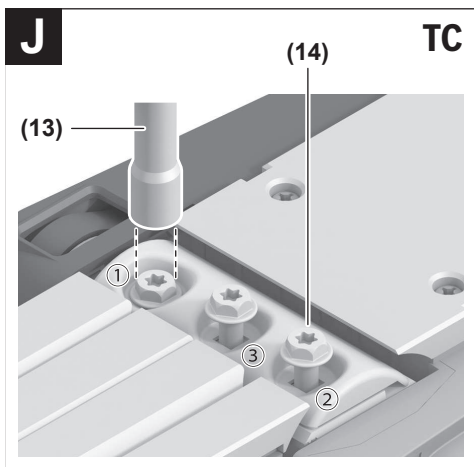
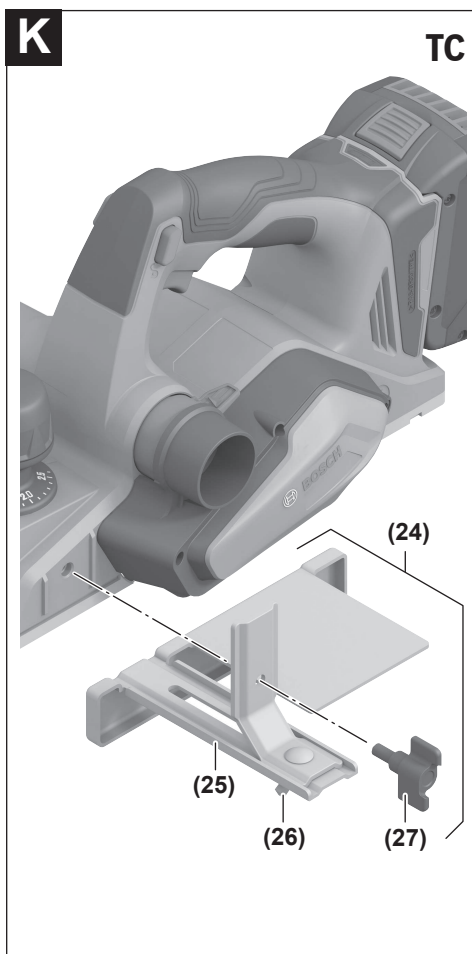
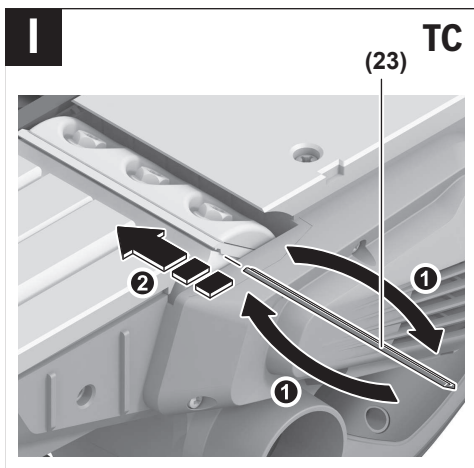
- en Original instructions
- fr Notice originale
- pt Manual original
- es Manual original
- pt Manual de instruções original
- zh 正本使用说明书
- zh 原始使用說明書
- th หนังสือคู่มือการใช้งานฉบับต้นแบบ
- id Petunjuk-Petunjuk untuk Penggunaan Orisinal
- vi Bản gốc hướng dẫn sử dụng
- ar دليل التشغيل الأصلي
- fa دفترچه راهنمای اصلی

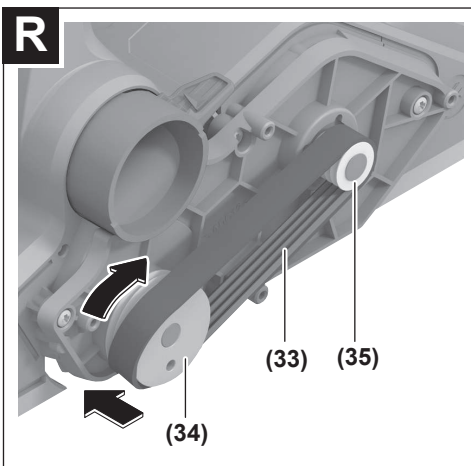
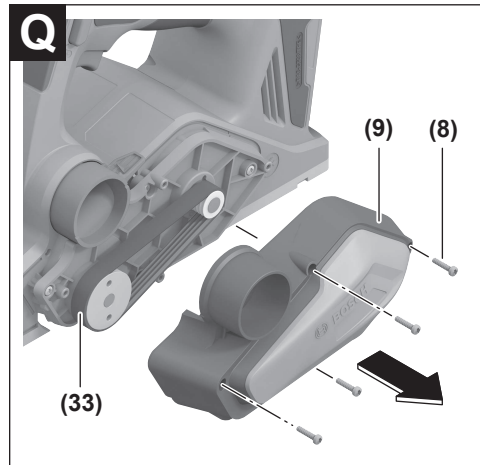
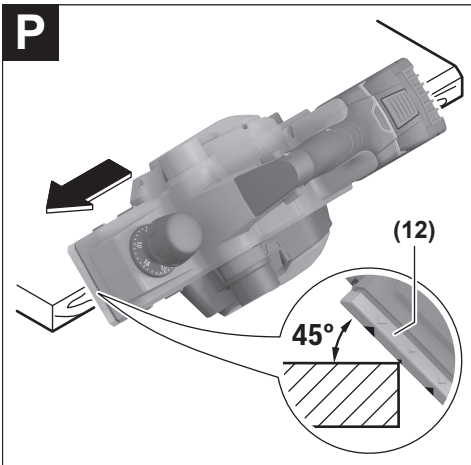
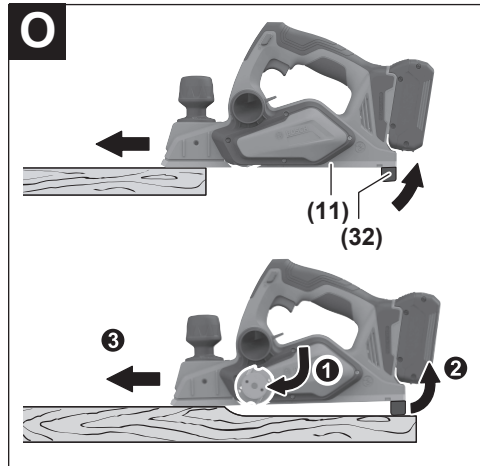
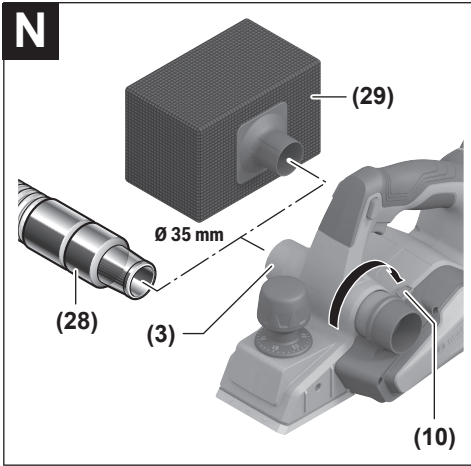


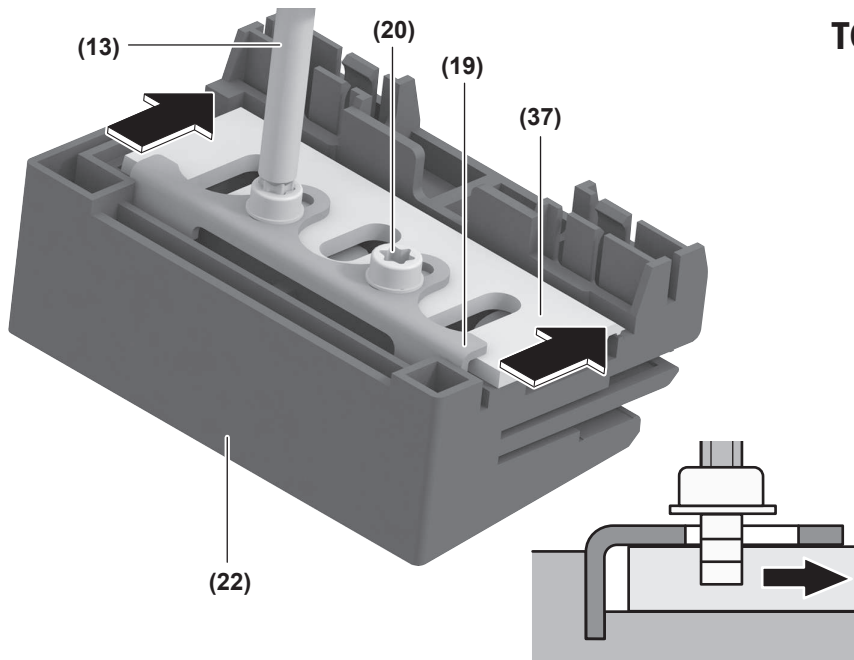
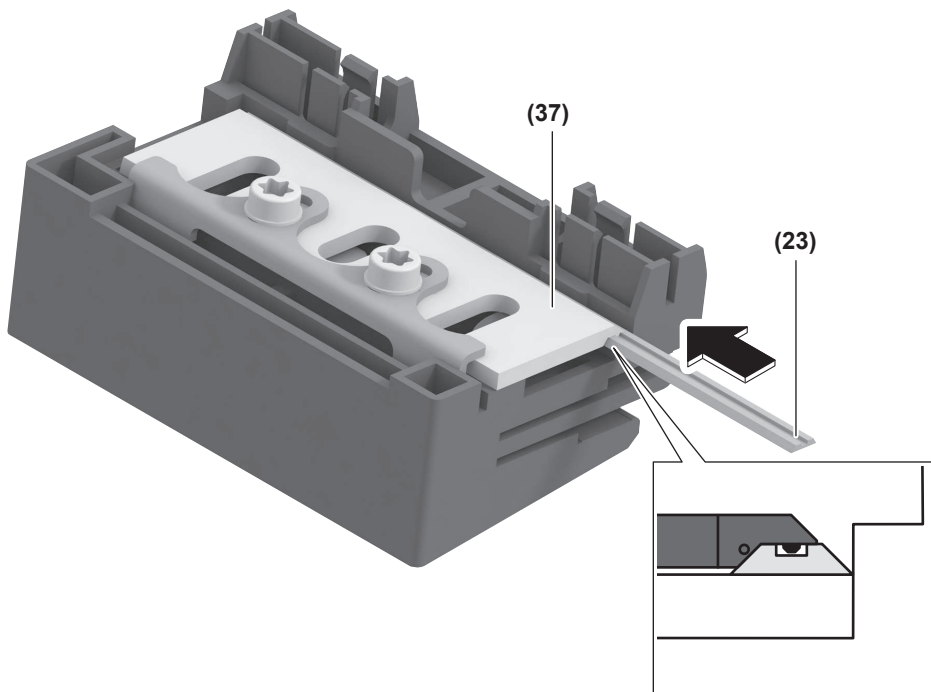
English	Page	8
Français	Page	15
Português	Página	23
Español	Página	32
Português do Brasil	Página	40
中文	頁	48
繁體中文	頁	54
ไทย	หน้า	61
Bahasa Indonesia	Halaman	68
Tiếng Việt	Trang	76
عربي	الصفحة	85
فارسی	صفحه	93









S**TC**

English

Safety Instructions

General Power Tool Safety Warnings

⚠ WARNING Read all safety warnings, instructions, illustrations and specifications provided with this power tool. Failure to follow all instructions listed below may result in electric shock, fire and/or serious injury.

Save all warnings and instructions for future reference.

The term "power tool" in the warnings refers to your mains-operated (corded) power tool or battery-operated (cordless) power tool.

Work area safety

- ▶ **Keep work area clean and well lit.** Cluttered or dark areas invite accidents.
- ▶ **Do not operate power tools in explosive atmospheres, such as in the presence of flammable liquids, gases or dust.** Power tools create sparks which may ignite the dust or fumes.
- ▶ **Keep children and bystanders away while operating a power tool.** Distractions can cause you to lose control.

Electrical safety

- ▶ **Power tool plugs must match the outlet. Never modify the plug in any way. Do not use any adapter plugs with earthed (grounded) power tools.** Unmodified plugs and matching outlets will reduce risk of electric shock.
- ▶ **Avoid body contact with earthed or grounded surfaces, such as pipes, radiators, ranges and refrigerators.** There is an increased risk of electric shock if your body is earthed or grounded.
- ▶ **Do not expose power tools to rain or wet conditions.** Water entering a power tool will increase the risk of electric shock.
- ▶ **Do not abuse the cord. Never use the cord for carrying, pulling or unplugging the power tool. Keep cord away from heat, oil, sharp edges or moving parts.** Damaged or entangled cords increase the risk of electric shock.
- ▶ **When operating a power tool outdoors, use an extension cord suitable for outdoor use.** Use of a cord suitable for outdoor use reduces the risk of electric shock.
- ▶ **If operating a power tool in a damp location is unavoidable, use a residual current device (RCD) protected supply.** Use of an RCD reduces the risk of electric shock.

Personal safety

- ▶ **Stay alert, watch what you are doing and use common sense when operating a power tool. Do not use a power tool while you are tired or under the influence of drugs, alcohol or medication.** A moment of inatten-

tion while operating power tools may result in serious personal injury.

- ▶ **Use personal protective equipment. Always wear eye protection.** Protective equipment such as a dust mask, non-skid safety shoes, hard hat or hearing protection used for appropriate conditions will reduce personal injuries.
- ▶ **Prevent unintentional starting. Ensure the switch is in the off-position before connecting to power source and/or battery pack, picking up or carrying the tool.** Carrying power tools with your finger on the switch or energising power tools that have the switch on invites accidents.
- ▶ **Remove any adjusting key or wrench before turning the power tool on.** A wrench or a key left attached to a rotating part of the power tool may result in personal injury.
- ▶ **Do not overreach. Keep proper footing and balance at all times.** This enables better control of the power tool in unexpected situations.
- ▶ **Dress properly. Do not wear loose clothing or jewellery. Keep your hair and clothing away from moving parts.** Loose clothes, jewellery or long hair can be caught in moving parts.
- ▶ **If devices are provided for the connection of dust extraction and collection facilities, ensure these are connected and properly used.** Use of dust collection can reduce dust-related hazards.
- ▶ **Do not let familiarity gained from frequent use of tools allow you to become complacent and ignore tool safety principles.** A careless action can cause severe injury within a fraction of a second.

Power tool use and care

- ▶ **Do not force the power tool. Use the correct power tool for your application.** The correct power tool will do the job better and safer at the rate for which it was designed.
- ▶ **Do not use the power tool if the switch does not turn it on and off.** Any power tool that cannot be controlled with the switch is dangerous and must be repaired.
- ▶ **Disconnect the plug from the power source and/or remove the battery pack, if detachable, from the power tool before making any adjustments, changing accessories, or storing power tools.** Such preventive safety measures reduce the risk of starting the power tool accidentally.
- ▶ **Store idle power tools out of the reach of children and do not allow persons unfamiliar with the power tool or these instructions to operate the power tool.** Power tools are dangerous in the hands of untrained users.
- ▶ **Maintain power tools and accessories. Check for misalignment or binding of moving parts, breakage of parts and any other condition that may affect the power tool's operation. If damaged, have the power tool repaired before use.** Many accidents are caused by poorly maintained power tools.

- ▶ **Keep cutting tools sharp and clean.** Properly maintained cutting tools with sharp cutting edges are less likely to bind and are easier to control.
- ▶ **Use the power tool, accessories and tool bits etc. in accordance with these instructions, taking into account the working conditions and the work to be performed.** Use of the power tool for operations different from those intended could result in a hazardous situation.
- ▶ **Keep handles and grasping surfaces dry, clean and free from oil and grease.** Slippery handles and grasping surfaces do not allow for safe handling and control of the tool in unexpected situations.

Battery tool use and care

- ▶ **Recharge only with the charger specified by the manufacturer.** A charger that is suitable for one type of battery pack may create a risk of fire when used with another battery pack.
- ▶ **Use power tools only with specifically designated battery packs.** Use of any other battery packs may create a risk of injury and fire.
- ▶ **When battery pack is not in use, keep it away from other metal objects, like paper clips, coins, keys, nails, screws or other small metal objects, that can make a connection from one terminal to another.** Shorting the battery terminals together may cause burns or a fire.
- ▶ **Under abusive conditions, liquid may be ejected from the battery; avoid contact. If contact accidentally occurs, flush with water. If liquid contacts eyes, additionally seek medical help.** Liquid ejected from the battery may cause irritation or burns.
- ▶ **Do not use a battery pack or tool that is damaged or modified.** Damaged or modified batteries may exhibit unpredictable behaviour resulting in fire, explosion or risk of injury.
- ▶ **Do not expose a battery pack or tool to fire or excessive temperature.** Exposure to fire or temperature above 130°C may cause explosion.
- ▶ **Follow all charging instructions and do not charge the battery pack or tool outside the temperature range specified in the instructions.** Charging improperly or at temperatures outside the specified range may damage the battery and increase the risk of fire.

Service

- ▶ **Have your power tool serviced by a qualified repair person using only identical replacement parts.** This will ensure that the safety of the power tool is maintained.
- ▶ **Never service damaged battery packs.** Service of battery packs should only be performed by the manufacturer or authorized service providers.

Safety instructions for planers

- ▶ **Wait for the cutter to stop before setting the tool down.** An exposed rotating cutter may engage the surface leading to possible loss of control and serious injury.

- ▶ **Use clamps or another practical way to secure and support the workpiece to a stable platform.** Holding the workpiece by your hand or against the body leaves it unstable and may lead to loss of control.
- ▶ **Only bring the power tool into contact with the workpiece when switched on.** Otherwise there is danger of kickback if the cutting tool jams in the workpiece.
- ▶ **Do not allow the chip ejector to come into contact with your hands.** You may be injured by rotating parts.
- ▶ **Never plane over metal objects, nails or screws.** Cutters and cutter shafts could become damaged and cause increased vibration.
- ▶ **Use suitable detectors to determine if there are hidden supply lines or contact the local utility company for assistance.** Contact with electric cables can cause fire and electric shock. Damaging gas lines can lead to explosion. Breaking water pipes causes property damage.
- ▶ **While working, always hold the planer in such a way that the planer base plate lies flat against the workpiece.** Otherwise the planer could slip and cause injury.
- ▶ **In case of damage and improper use of the battery, vapours may be emitted. The battery can set alight or explode.** Ensure the area is well ventilated and seek medical attention should you experience any adverse effects. The vapours may irritate the respiratory system.
- ▶ **Do not open the battery.** There is a risk of short-circuiting.
- ▶ **The battery can be damaged by pointed objects such as nails or screwdrivers or by force applied externally.** An internal short circuit may occur, causing the battery to burn, smoke, explode or overheat.
- ▶ **Only use the battery with products from the manufacturer.** This is the only way in which you can protect the battery against dangerous overload.



Protect the battery against heat, e.g. against continuous intense sunlight, fire, dirt, water and moisture. There is a risk of explosion and short-circuiting.



- ▶ **Hold the power tool firmly with both hands and make sure you have a stable footing.** The power tool can be more securely guided with both hands.

Product Description and Specifications



Read all the safety and general instructions.

Failure to observe the safety and general instructions may result in electric shock, fire and/or serious injury.

Please observe the illustrations at the beginning of this operating manual.

Intended use

The power tool is intended for planing wood-based materials such as beams and boards while resting firmly on the work-

piece. It is also suitable for chamfering edges and for rebating.

Product features

The numbering of the product features refers to the diagram of the power tool on the graphics page.

- (1) Cutting depth scale
- (2) Knob for setting the cutting depth (insulated gripping surface)
- (3) Chip ejector (either right or left)
- (4) Lock-off function for On/Off switch
- (5) On/off switch
- (6) Rechargeable battery^{a)}
- (7) Rechargeable battery release button^{a)}
- (8) Screw for belt cover
- (9) Belt cover
- (10) Changeover lever for chip ejector direction
- (11) Planer base plate
- (12) V-grooves
- (13) T-handle socket spanner/Torx keys
- (14) Fastening screw for clamping jaw
- (15) Clamping jaw
- (16) Blade head
- (17) Guide groove for planer blade
- (18) HSS planer blade
- (19) HSS planer blade retaining clip
- (20) Fastening screw for HSS planer blade retaining clip
- (21) Sharpening aid for HSS planer blades
- (22) Setting gauge for HSS planer blades
- (23) HM/TC planer blade^{a)}
- (24) Parallel guide
- (25) Scale for rebate width
- (26) Locking nut for rebate width setting
- (27) Fastening screw for parallel guide
- (28) Extraction hose (dia. 35 mm)^{a)}
- (29) Chip/dust bag^{a)}
- (30) Fastening screw for rebate depth guide^{a)}
- (31) Rebate depth guide^{a)}
- (32) Parking rest
- (33) Drive belt
- (34) Large belt wheel
- (35) Small belt wheel
- (36) Handle (insulated gripping surface)
- (37) Adapter for converting from HSS to TC planer blades^{a)}
- (38) Battery charge indicator on the power tool

a) **Accessories shown or described are not included with the product as standard. You can find the complete selection of accessories in our accessories range.**

Technical data

Planer	GHO 185-LI	
Article number	3 601 EB5 0..	
Rated voltage	V---	18
No-load speed ^{A)}	min ⁻¹	14,000
Cutting depth	mm	0–2.6
Rebate depth	mm	0–9
Max. planing width	mm	82
Weight according to EPTA-Procedure 01:2014 ^{B)}	kg	2.6–3.7
Recommended ambient temperature during charging	°C	0 to +35
Permitted ambient temperature during operation ^{C)} and during storage	°C	–20 to +50
Recommended rechargeable batteries	GBA 18V... ProCORE18V...	
Recommended chargers	GAL 18... GAX 18... GAL 36...	

A) Measured at 20–25 °C with rechargeable battery **GBA 18V 4.0Ah**.

B) Depends on battery in use

C) Limited performance at temperatures < 0 °C

Values can vary depending upon the product and are subject to application and environmental conditions. For further information www.bosch-professional.com/wac.

Noise/vibration information

Noise emission values determined according to **EN 62841-2-14**.

Typically, the A-weighted noise level of the power tool is: Sound pressure level **91 dB(A)**; sound power level **99 dB(A)**. Uncertainty K = **3 dB**.

Wear hearing protection!

Vibration total values a_h (triax vector sum) and uncertainty K determined according to **EN 62841-2-14**:

$$a_h = 3.5 \text{ m/s}^2, K = 1.5 \text{ m/s}^2.$$

The vibration level and noise emission value given in these instructions have been measured in accordance with a standardised measuring procedure and may be used to compare power tools. They may also be used for a preliminary estimation of vibration and noise emissions.

The stated vibration level and noise emission value represent the main applications of the power tool. However, if the power tool is used for other applications, with different accessories or is poorly maintained, the vibration level and noise emission value may differ. This may significantly increase the vibration and noise emissions over the total working period.

To estimate vibration and noise emissions accurately, the times when the tool is switched off or when it is running but not actually being used should also be taken into account.

This may significantly reduce vibration and noise emissions over the total working period.

Implement additional safety measures to protect the operator from the effects of vibration, such as servicing the power tool and accessories, keeping their hands warm, and organising workflows correctly.

Rechargeable battery

Bosch sells some cordless power tools without a rechargeable battery. You can tell whether a rechargeable battery is included with the power tool by looking at the packaging.

Charging the battery

- **Use only the chargers listed in the technical data.** Only these chargers are matched to the lithium-ion battery of your power tool.

Note: Lithium-ion rechargeable batteries are supplied partially charged according to international transport regulations. To ensure full rechargeable battery capacity, fully charge the rechargeable battery before using your tool for the first time.

Inserting the Battery

Push the charged battery into the battery holder until it clicks into place.

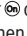

Removing the Battery

To remove the rechargeable battery, press the battery release button and pull the battery out. **Do not use force to do this.**

The rechargeable battery has two locking levels to prevent the battery from falling out if the battery release button is pressed unintentionally. The rechargeable battery is held in place by a spring when fitted in the power tool.

Battery Charge Indicator on the Rechargeable Battery

Note: Not all battery types have a battery charge indicator. The green LEDs on the battery charge indicator indicate the state of charge of the battery. For safety reasons, it is only possible to check the state of charge when the power tool is not in operation.

Press the button for the battery charge indicator  or  to show the state of charge. This is also possible when the battery is removed.

If no LED lights up after pressing the button for the battery charge indicator, then the battery is defective and must be replaced.

Battery model GBA 18V...



LED	Capacity
3 × continuous green light	60–100 %

LED	Capacity
2 × continuous green light	30–60 %
1 × continuous green light	5–30 %
1 × flashing green light	0–5 %

Battery model ProCORE18V...



LED	Capacity
5 × continuous green light	80–100 %
4 × continuous green light	60–80 %
3 × continuous green light	40–60 %
2 × continuous green light	20–40 %
1 × continuous green light	5–20 %
1 × flashing green light	0–5 %

Battery Charge Indicator on the Power Tool

The battery charge indicator on the power tool indicates the remaining battery capacity or an overload when the power tool is switched on.

LED	Capacity
3 × continuous green light	60–100 %
2 × continuous green light	30–60 %
1 × continuous green light	5–30 %
1 × flashing green light	0–5 %

LED	Meaning
Flashing light 3 ×	Overload protection has been triggered
Flashing light middle LED	The temperature of the rechargeable battery is outside of the operating temperature range and/or the power tool's temperature protection has been triggered

Recommendations for Optimal Handling of the Battery

Protect the battery against moisture and water.

Only store the battery within a temperature range of –20 to 50 °C. Do not leave the battery in your car in the summer, for example.

Occasionally clean the ventilation slots on the battery using a soft brush that is clean and dry.

A significantly reduced operating time after charging indicates that the battery has deteriorated and must be replaced. Follow the instructions on correct disposal.

Fitting

- **Remove the battery from the power tool before carrying out work on the power tool (e.g. maintenance, changing tool, etc.). The battery should also be re-**

moved for transport and storage. There is risk of injury from unintentionally pressing the on/off switch.

Choosing the Planer Blade

The power tool can be fitted with different planer blades. Fitting the adapter (37) (accessory) allows the power tool to be changed from HSS planer blades (18) to HM/TC planer blades (23).

Always change both planer blades – replacing just one blade will create an imbalance that could cause vibrations and shorten the service life of the power tool.

Changing the HSS Planer Blades

► **Take care when changing the planer blade. Do not pick up the planer blade by the cutting edges.** You may be injured by the sharp cutting edges.

Removing the Planer Blades (see figures A–C)

- To replace the planer blades, turn the blade head (16) until the clamping jaw (15) is parallel with the planer base plate (11).
- Unscrew the three fastening screws (14) with the T-handle socket spanner (13) and remove the clamping jaw (15).
- Push the retaining clip (19) together with the planer blade (18) out of the blade head (16) and/or the guide groove (17).
- Turn the blade head 180° and remove the second planer blade.

Note: Before changing or resharpening the planer blades, remove the retaining clip (19) by undoing the fastening screw (20).

Resharpener HSS Planer Blades (see figure D)

Worn or blunt HSS planer blades can be resharpened using the sharpening aid (21) (accessory) and a commercially available grinding stone.

Place both planer blades in the sharpening aid and clamp them firmly with the wing bolt. Make sure that both planer blades are pushed in fully.

Move the planer blades placed in the sharpening aid steadily across the grinding stone, applying light pressure.

Note: The planer blades must not be resharpened by more than 6 mm (i.e. to a minimum width of 23 mm). Both planer blades must be replaced when they reach this size.

Fitting the Planer Blades (see figures E–F)

Before (re)inserting new or resharpened planer blades, clean the blade head (16) and, if necessary, the planer blade (18) and the retaining clip (19). Clean heavily gummed planer blades with spirits or petroleum.

Note: New and resharpened planer blades must always be set to the correct height before fitting.

The setting gauge (22) (accessory) is used to adjust the height of the planer blades. Place the planer blade (18) and the retaining clip (19) on the setting gauge. Make sure that the blade retainer (19) engages in the groove intended for

this purpose. Press the planer blade (18) against the guide and fix the retaining clip (19) in this position with the fastening screw (20). This will automatically adjust the correct height.

The planer blade must be fitted and aligned with the **centre of the planer base plate (11)**. Then tighten the three fastening screws (14) with the T-handle socket spanner (13). Ensure that the tightening sequence (①②③) on the clamping jaw (15) is followed correctly.

Note: Check that the fastening screws (14) are firmly tightened before start-up. Turn the blade head (16) by hand and ensure that the planer blades are not brushing against anything.

Changing the HM/TC Planer Blades

► **Take care when changing the planer blade. Do not pick up the planer blade by the cutting edges.** You may be injured by the sharp cutting edges.

Use only original **Bosch** HM/TC planer blades.

Hard metal (HM/TC) planer blades have two cutting edges and can be turned. If both cutting edges become blunt, the planer blades (23) need to be changed. HM/TC planer blades must not be resharpened.

Removing the Planer Blades (see figures G–H)

- To turn or replace the planer blades, turn the blade head (16) until the clamping jaw (15) is parallel with the planer base plate (11).
- Undo the three fastening screws (14) using the Torx key (13) (approx. 1–2 turns). The clamping jaw (15) does not need to be removed.
- Turn the blade head slightly and use a piece of wood to push the planer blade (23) to the side and out of the blade head (16).
- Turn the blade head 180° and remove the second planer blade.

Fitting the Planer Blades (see figures I–J)

The guide groove on the planer blade ensures a constant, even height setting when changing or turning the blade.

If necessary, clean the blade seat in the blade head (16) and the planer blade (23).

When fitting the planer blade, ensure that it is correctly seated in the mounting guide of the blade head (16).

The planer blade must be fitted and aligned with the **centre of the planer base plate (11)**. Then tighten the three fastening screws (14) using the Torx key (13), following the tightening sequence (①②③) specified on the clamping jaw (15).

Note: Check that the fastening screws (14) are firmly tightened before start-up. Turn the blade head (16) by hand and ensure that the planer blades are not brushing against anything.

Use of conversion kits

Changing from HSS to HM/TC

The HM/TC adapter enables a planer fitted with HSS planer blades to be changed over to HM/TC planer blades.

- Unscrew the three fastening screws (14) using the Torx key (13) and remove the clamping jaw (15).
- Push the retaining clip (19) together with the planer blade (18) out of the blade head (16) and/or the guide groove (17).
- Remove the screws (20).
- Place the retaining clip (19) and the adapter (37) in the setting gauge (22). The retaining clip (19) must slot into the groove on the setting gauge (see figure S).
- Push the HM/TC planer blade (23) into the adapter (37) from the side. The ridge on the adapter (37) must slot into the groove on the HM/TC planer blade (see figure S).
- Tighten the screws (20).
- Insert the retaining clip (19) together with the adapter (37) and the planer blade (18) into the blade head (16) and/or the guide groove (17).
- Put the clamping jaw (15) on and insert the fastening screws (14), which do not yet need to be screwed in tightly.
- The planer blade must be fitted and aligned with the **centre of the planer base plate (11)**. Then tighten the three fastening screws (14) using the Torx key (13), following the tightening sequence (① ② ③) specified on the clamping jaw (15).

Changing from HM/TC to HSS

Planers fitted with HM/TC planer blades can be changed over to HSS planer blades.

- Unscrew the three fastening screws (14) using the Torx key (13) and remove the clamping jaw (15).
- Push the retaining clip (19) together with the planer blade (18) and/or the HM/TC adapter (37) out of the blade head (16).
- Remove the screws (20).
- Fit the assembled HSS planer blade (see "Fitting the Planer Blades (see figures E–F)", page 12) and align it with the **centre of the planer base plate (11)**.
- Put the clamping jaw (15) on and tighten the three fastening screws (14) using the Torx key (13), following the tightening sequence (① ② ③) specified on the clamping jaw (15).

Dust/Chip Extraction

The dust from materials such as lead paint, some types of wood, minerals and metal can be harmful to human health. Touching or breathing in this dust can trigger allergic reactions and/or cause respiratory illnesses in the user or in people in the near vicinity.

Certain dusts, such as oak or beech dust, are classified as carcinogenic, especially in conjunction with wood treatment additives (chromate, wood preservative). Materials containing asbestos may only be machined by specialists.

- Use a dust extraction system that is suitable for the material wherever possible.
 - Provide good ventilation at the workplace.
 - It is advisable to wear a P2 filter class breathing mask.
- The regulations on the material being machined that apply in the country of use must be observed.

► **Avoid dust accumulation at the workplace.** Dust can easily ignite.

Clean the chip ejector (3) regularly. Clean a clogged chip ejector using a suitable tool, e.g. a piece of wood, compressed air, etc.

► **Do not allow the chip ejector to come into contact with your hands.** You may be injured by rotating parts.

Always use an external dust extraction device or chip/dust bag to guarantee optimum suction.

External dust extraction (see figure N)

An extraction hose (dia. 35 mm) (28) (accessory) can be connected to the chip ejector on either side.

Connect the dust extraction hose (28) to a dust extractor (accessory). You will find an overview of how to connect to various dust extractors at the end of these operating instructions.

The dust extractor must be suitable for the material being worked.

When extracting dry dust that is especially detrimental to health or carcinogenic, use a special dust extractor.

Self-generated dust extraction (see figure N)

A chip/dust bag (accessory) (29) can be used for smaller jobs. Insert the dust bag nozzle of the chip/dust bag firmly into the chip ejector (3). Empty the chip/dust bag (29) at regular intervals to maintain optimum dust collection.

Selectable chip ejector

Using the changeover lever (10), the chip ejector can be (3) adjusted to the right or left. Push the changeover lever (10) all the way towards the end position until it clicks into place. The selected chip ejector direction is indicated by an arrow symbol on the changeover lever (10).

Operation

Start-up

Setting the cutting depth

Using the knob (2), the cutting depth can be continuously adjusted between **0–2.6 mm** with the aid of the cutting depth scale (1) (scale division = **0.1 mm**).

Switching on/off

► **Make sure that you are able to press the On/Off switch without releasing the handle.**

To **start** the power tool, first press the lock-off switch (4), **then** press and hold the on/off switch (5).

To **switch off** the power tool, release the on/off switch (5).

Note: For safety reasons, the on/off switch (5) cannot be locked; it must remain pressed during the entire operation.

Practical advice

- ▶ **Remove the battery from the power tool before carrying out work on the power tool (e.g. maintenance, changing tool, etc.). The battery should also be removed for transport and storage.** There is risk of injury from unintentionally pressing the on/off switch.

Parking rest (see figure O)

The parking rest (32) makes it possible to put down the power tool directly after working, without any danger of damaging the workpiece or planer blade. During the work process, the parking rest (32) is highly pivoted and the rear section of the planer base plate (11) is released.

Note: The parking rest (32) must not be removed.

Planing Procedure (see figure O)

Set the required cutting depth and position the power tool with the front section of the planer base plate (11) on the workpiece.

- ▶ **Only bring the power tool into contact with the workpiece when switched on.** Otherwise there is danger of kickback if the cutting tool jams in the workpiece.

Switch on the power tool and guide it over the surface of the workpiece, applying uniform feed.

To achieve high-quality surfaces, apply only a low feed rate and exert pressure on the middle of the planer base plate.

For the processing of hard materials, such as hardwood, and also when utilising the maximum planing width, set only a low cutting depth and reduce the planer feed as appropriate. Excessive feed reduces the quality of the surface finish and can lead to the chip ejector quickly becoming blocked.

Only sharp planer blades achieve good cutting performance and make the power tool last longer.

The integrated parking rest (32) also enables a continuation of the planing procedure following interruption at any point on the workpiece:

- Place the power tool – with parking rest folded down – onto the area of the workpiece that you will continue to work on.
- Switch the power tool on.
- Shift the contact pressure onto the front of the planer base plate and slowly slide the power tool forward (➡). In doing so, the parking rest will swivel upwards and out of the way (⦿), meaning that the rear section of the planer base plate is in contact with the workpiece again.
- Guide the power tool over the surface of the workpiece, applying uniform feed (⦿).

Chamfering edges (see figure P)

The V-grooves in the front of the planer base plate enable quick and easy chamfering of workpiece edges. Select the V-groove that corresponds to your chamfering width. Then position the planer with the V-groove onto the edge of the workpiece and guide it along.

Groove used	Dimension a (mm)
None	0–2.5
Small	1.5–4.0
Medium	2.0–4.5
Large	3.0–5.5

Planing with the Parallel Guide (see figures K–M)

Fit the parallel guide (24) to the power tool using the fastening screw (27). Depending on the application, attach the rebate depth guide (31) to the power tool with the fastening screw (30).

Loosen the locking nut (26) and set the desired rebate width on the scale (25). Retighten the locking nut (26).

Set the desired rebate depth accordingly using the rebate depth guide (31).

Carry out the planing procedure several times until the desired rebate depth has been achieved. Guide the planer with sideways contact pressure.

Maintenance and Service

Maintenance and Cleaning

- ▶ **Remove the battery from the power tool before carrying out work on the power tool (e.g. maintenance, changing tool, etc.). The battery should also be removed for transport and storage.** There is risk of injury from unintentionally pressing the on/off switch.

- ▶ **To ensure safe and efficient operation, always keep the power tool and the ventilation slots clean.**

Keep the parking rest (32) clear and clean it regularly.

When the carbon brushes are worn out, the power tool switches itself off. The power tool must be sent to the after-sales service for maintenance; see the "After-Sales Service and Application Service" section for addresses.

Changing the Drive Belt (see figures Q–R)

Unscrew the screw (8) completely and take off the belt cover (9). Remove the worn drive belt (33).

Before fitting a new drive belt (33), clean the two belt wheels (34) and (35).

First place the new drive belt (33) onto the small drive wheel (35), and then press the drive belt (33) onto the large drive belt (34), turning it by hand.

Make sure that the drive belt (33) runs exactly in the lengthways grooves in the drive wheels (34) and (35).

Put the belt cover (9) on and tighten the screw (8).

After-Sales Service and Application Service

Our after-sales service responds to your questions concerning maintenance and repair of your product as well as spare parts. You can find explosion drawings and information on spare parts at: www.bosch-pt.com

The Bosch product use advice team will be happy to help you

with any questions about our products and their accessories.

In all correspondence and spare parts orders, please always include the 10-digit article number given on the nameplate of the product.

Malaysia

Robert Bosch Sdn. Bhd. (220975-V) PT/SMY
No. 8A, Jalan 13/6
46200 Petaling Jaya
Selangor
Tel.: (03) 79663194
Toll-Free: 1800 880188
Fax: (03) 79583838
E-Mail: kiathoe.chong@my.bosch.com
www.bosch-pt.com.my

You can find further service addresses at:

www.bosch-pt.com/serviceaddresses

Transport

The recommended lithium-ion batteries are subject to legislation on the transport of dangerous goods. The user can transport the batteries by road without further requirements.

When shipping by third parties (e.g.: by air transport or forwarding agency), special requirements on packaging and labelling must be observed. For preparation of the item being shipped, consulting an expert for hazardous material is required.

Dispatch battery packs only when the housing is undamaged. Tape or mask off open contacts and pack up the battery in such a manner that it cannot move around in the packaging. Please also observe the possibility of more detailed national regulations.

Disposal



Power tools, rechargeable batteries, accessories and packaging should be sorted for environmental-friendly recycling.



Do not dispose of power tools and batteries/rechargeable batteries into household waste!

Battery packs/batteries:

Li-ion:

Please observe the notes in the section on transport (see "Transport", page 15).

Français

Consignes de sécurité

Avertissements de sécurité généraux pour l'outil électrique

AVERTISSEMENT Lire tous les avertissements de sécurité, les instructions, les illustrations et les spécifications fournis

avec cet outil électrique. Ne pas suivre les instructions énumérées ci-dessous peut provoquer un choc électrique, un incendie et/ou une blessure sérieuse.

Conservé tous les avertissements et toutes les instructions pour pouvoir s'y reporter ultérieurement.

Le terme "outil électrique" dans les avertissements fait référence à votre outil électrique alimenté par le secteur (avec cordon d'alimentation) ou votre outil électrique fonctionnant sur batterie (sans cordon d'alimentation).

Sécurité de la zone de travail

- ▶ **Conservé la zone de travail propre et bien éclairée.**
Les zones en désordre ou sombres sont propices aux accidents.
- ▶ **Ne pas faire fonctionner les outils électriques en atmosphère explosive, par exemple en présence de liquides inflammables, de gaz ou de poussières.** Les outils électriques produisent des étincelles qui peuvent enflammer les poussières ou les fumées.
- ▶ **Maintenir les enfants et les personnes présentes à l'écart pendant l'utilisation de l'outil électrique.** Les distractions peuvent vous faire perdre le contrôle de l'outil.

Sécurité électrique

- ▶ **Il faut que les fiches de l'outil électrique soient adaptées au socle. Ne jamais modifier la fiche de quelque façon que ce soit. Ne pas utiliser d'adaptateurs avec des outils électriques à branchement de terre.** Des fiches non modifiées et des socles adaptés réduisent le risque de choc électrique.
- ▶ **Éviter tout contact du corps avec des surfaces reliées à la terre telles que les tuyaux, les radiateurs, les cuisinières et les réfrigérateurs.** Il existe un risque accru de choc électrique si votre corps est relié à la terre.
- ▶ **Ne pas exposer les outils électriques à la pluie ou à des conditions humides.** La pénétration d'eau à l'intérieur d'un outil électrique augmente le risque de choc électrique.
- ▶ **Ne pas maltraiter le cordon. Ne jamais utiliser le cordon pour porter, tirer ou débrancher l'outil électrique. Maintenir le cordon à l'écart de la chaleur, du lubrifiant, des arêtes vives ou des parties en mouvement.** Des cordons endommagés ou emmêlés augmentent le risque de choc électrique.
- ▶ **Lorsqu'on utilise un outil électrique à l'extérieur, utiliser un prolongateur adapté à l'utilisation extérieure.**

L'utilisation d'un cordon adapté à l'utilisation extérieure réduit le risque de choc électrique.

- ▶ **Si l'usage d'un outil électrique dans un emplacement humide est inévitable, utiliser une alimentation protégée par un dispositif à courant différentiel résiduel (RCD).** L'usage d'un RCD réduit le risque de choc électrique.

Sécurité des personnes

- ▶ **Rester vigilant, regarder ce que vous êtes en train de faire et faire preuve de bon sens dans votre utilisation de l'outil électrique. Ne pas utiliser un outil électrique lorsque vous êtes fatigué ou sous l'emprise de drogues, de l'alcool ou de médicaments.** Un moment d'inattention en cours d'utilisation d'un outil électrique peut entraîner des blessures graves.
- ▶ **Utiliser un équipement de protection individuelle. Toujours porter une protection pour les yeux.** Les équipements de protection individuelle tels que les masques contre les poussières, les chaussures de sécurité antidérapantes, les casques ou les protections auditives utilisés pour les conditions appropriées réduisent les blessures.
- ▶ **Éviter tout démarrage intempestif. S'assurer que l'interrupteur est en position arrêt avant de brancher l'outil au secteur et/ou au bloc de batteries, de le ramasser ou de le porter.** Porter les outils électriques en ayant le doigt sur l'interrupteur ou brancher des outils électriques dont l'interrupteur est en position marche est source d'accidents.
- ▶ **Retirer toute clé de réglage avant de mettre l'outil électrique en marche.** Une clé laissée fixée sur une partie tournante de l'outil électrique peut donner lieu à des blessures.
- ▶ **Ne pas se précipiter. Garder une position et un équilibre adaptés à tout moment.** Cela permet un meilleur contrôle de l'outil électrique dans des situations inattendues.
- ▶ **S'habiller de manière adaptée. Ne pas porter de vêtements amples ou de bijoux. Garder les cheveux et les vêtements à distance des parties en mouvement.** Des vêtements amples, des bijoux ou les cheveux longs peuvent être pris dans des parties en mouvement.
- ▶ **Si des dispositifs sont fournis pour le raccordement d'équipements pour l'extraction et la récupération des poussières, s'assurer qu'ils sont connectés et correctement utilisés.** Utiliser des collecteurs de poussière peut réduire les risques dus aux poussières.
- ▶ **Rester vigilant et ne pas négliger les principes de sécurité de l'outil sous prétexte que vous avez l'habitude de l'utiliser.** Une fraction de seconde d'inattention peut provoquer une blessure grave.

Utilisation et entretien de l'outil électrique

- ▶ **Ne pas forcer l'outil électrique. Utiliser l'outil électrique adapté à votre application.** L'outil électrique adapté réalise mieux le travail et de manière plus sûre au régime pour lequel il a été construit.

- ▶ **Ne pas utiliser l'outil électrique si l'interrupteur ne permet pas de passer de l'état de marche à arrêt et inversement.** Tout outil électrique qui ne peut pas être commandé par l'interrupteur est dangereux et il faut le réparer.
- ▶ **Débrancher la fiche de la source d'alimentation et/ou enlever le bloc de batteries, s'il est amovible, avant tout réglage, changement d'accessoires ou avant de ranger l'outil électrique.** De telles mesures de sécurité préventives réduisent le risque de démarrage accidentel de l'outil électrique.
- ▶ **Conserver les outils électriques à l'arrêt hors de la portée des enfants et ne pas permettre à des personnes ne connaissant pas l'outil électrique ou les présentes instructions de le faire fonctionner.** Les outils électriques sont dangereux entre les mains d'utilisateurs novices.
- ▶ **Observer la maintenance des outils électriques et des accessoires. Vérifier qu'il n'y a pas de mauvais alignement ou de blocage des parties mobiles, des pièces cassées ou toute autre condition pouvant affecter le fonctionnement de l'outil électrique. En cas de dommages, faire réparer l'outil électrique avant de l'utiliser.** De nombreux accidents sont dus à des outils électriques mal entretenus.
- ▶ **Garder affûtés et propres les outils permettant de couper.** Des outils destinés à couper correctement entretenus avec des pièces coupantes tranchantes sont moins susceptibles de bloquer et sont plus faciles à contrôler.
- ▶ **Utiliser l'outil électrique, les accessoires et les lames etc., conformément à ces instructions, en tenant compte des conditions de travail et du travail à réaliser.** L'utilisation de l'outil électrique pour des opérations différentes de celles prévues peut donner lieu à des situations dangereuses.
- ▶ **Il faut que les poignées et les surfaces de préhension restent sèches, propres et dépourvues d'huiles et de graisses.** Des poignées et des surfaces de préhension glissantes rendent impossibles la manipulation et le contrôle en toute sécurité de l'outil dans les situations inattendues.

Utilisation des outils fonctionnant sur batteries et précautions d'emploi

- ▶ **Ne recharger qu'avec le chargeur spécifié par le fabricant.** Un chargeur qui est adapté à un type de bloc de batteries peut créer un risque de feu lorsqu'il est utilisé avec un autre type de bloc de batteries.
- ▶ **N'utiliser les outils électriques qu'avec des blocs de batteries spécifiquement désignés.** L'utilisation de tout autre bloc de batteries peut créer un risque de blessure et de feu.
- ▶ **Lorsqu'un bloc de batteries n'est pas utilisé, le maintenir à l'écart de tout autre objet métallique, par exemple trombones, pièces de monnaie, clés, clous, vis ou autres objets de petite taille qui peuvent donner**

lieu à une connexion d'une borne à une autre. Le court-circuitage des bornes d'une batterie entre elles peut causer des brûlures ou un feu.

- ▶ **Dans de mauvaises conditions, du liquide peut être éjecté de la batterie; éviter tout contact. En cas de contact accidentel, nettoyer à l'eau. Si le liquide entre en contact avec les yeux, rechercher en plus une aide médicale.** Le liquide éjecté des batteries peut causer des irritations ou des brûlures.
- ▶ **Ne pas utiliser un bloc de batteries ou un outil fonctionnant sur batteries qui a été endommagé ou modifié.** Les batteries endommagées ou modifiées peuvent avoir un comportement imprévisible provoquant un feu, une explosion ou un risque de blessure.
- ▶ **Ne pas exposer un bloc de batteries ou un outil fonctionnant sur batteries au feu ou à une température excessive.** Une exposition au feu ou à une température supérieure à 130 °C peut provoquer une explosion.
- ▶ **Suivre toutes les instructions de charge et ne pas charger le bloc de batteries ou l'outil fonctionnant sur batteries hors de la plage de températures spécifiée dans les instructions.** Un chargement incorrect ou à des températures hors de la plage spécifiée de températures peut endommager la batterie et augmenter le risque de feu.

Maintenance et entretien

- ▶ **Faire entretenir l'outil électrique par un réparateur qualifié utilisant uniquement des pièces de rechange identiques.** Cela assure le maintien de la sécurité de l'outil électrique.
- ▶ **Ne jamais effectuer d'opération d'entretien sur des blocs de batteries endommagés.** Il convient que l'entretien des blocs de batteries ne soit effectué que par le fabricant ou les fournisseurs de service autorisés.

Avertissements de sécurité pour les rabots

- ▶ **Attendre que l'élément de coupe s'arrête avant de déposer l'outil.** Un élément de coupe en rotation peut entamer la surface et provoquer une perte de contrôle pouvant entraîner des blessures graves.
- ▶ **Utiliser des colliers de serrage ou un autre moyen pratique de sécurisation et de soutien de la pièce à usiner sur une plateforme stable.** Le maintien de la pièce à usiner dans les mains ou contre le corps la rend instable et peut entraîner une perte de contrôle.
- ▶ **N'approchez l'outil électroportatif de la pièce à scier qu'après l'avoir mis en marche.** Il y a sinon risque de rebond au cas où la lame resterait coincée dans la pièce.
- ▶ **Ne mettez jamais la main dans l'éjecteur de copeaux.** Vous risqueriez d'être blessé par des pièces en rotation.
- ▶ **Ne rabotez jamais des pièces métalliques, des clous ou des vis.** Le fer et le cylindre porte-fer peuvent être endommagés et causer des vibrations anormalement élevées.
- ▶ **Utilisez un détecteur approprié pour vérifier s'il n'y a pas de conduites cachées ou contactez votre société**

de distribution d'eau locale. Tout contact avec des câbles électriques peut provoquer un incendie ou un choc électrique. Tout endommagement d'une conduite de gaz peut provoquer une explosion. La perforation d'une conduite d'eau provoque des dégâts matériels.

- ▶ **Lors de l'utilisation du rabot, tenez-le de sorte que le patin repose à plat sur la pièce à raboter.** Le rabot risque sinon de coincer, ce qui peut causer des blessures.
- ▶ **Si l'accu est endommagé ou utilisé de manière non conforme, des vapeurs peuvent s'échapper. L'accu peut brûler ou exploser.** Ventilez le local et consultez un médecin en cas de malaise. Les vapeurs peuvent entraîner des irritations des voies respiratoires.
- ▶ **N'ouvrez pas l'accu.** Risque de court-circuit.
- ▶ **Les objets pointus comme un clou ou un tournevis et le fait d'exercer une force extérieure sur le boîtier risque d'endommager l'accu.** Il peut en résulter un court-circuit interne et l'accu risque de s'enflammer, de dégager des fumées, d'exploser ou de surchauffer.
- ▶ **N'utilisez l'accu qu'avec des produits du fabricant.** Tout risque de surcharge dangereuse sera alors exclu.



Conservez la batterie à l'abri de la chaleur, en la protégeant p. ex. de l'ensoleillement direct, du feu, de la saleté, de l'eau et de l'humidité. Il existe un risque d'explosion et de courts-circuits.

- ▶ **Lors du travail, tenez fermement l'outil électroportatif des deux mains et veillez à toujours garder une position de travail stable.** Avec les deux mains, l'outil électroportatif est guidé en toute sécurité.

Description des prestations et du produit



Lisez attentivement toutes les instructions et consignes de sécurité. Le non-respect des instructions et consignes de sécurité peut provoquer un choc électrique, un incendie et/ou entraîner de graves blessures.

Référez-vous aux illustrations qui se trouvent à l'avant de la notice d'utilisation.

Utilisation conforme

Équipé d'un support stable, l'outil électroportatif est conçu pour des travaux de rabotage sur des pièces en bois, par ex. des poutres et des planches. Il permet aussi de chanfreiner des bords et de réaliser des feuillures.

Éléments constitutifs

La numérotation des éléments se réfère à la représentation de l'outil électroportatif sur la page graphique.

- (1) Échelle graduée de profondeur de passe
- (2) Bouton de réglage de profondeur de passe (surface de préhension isolante)
- (3) Éjecteur de copeaux (à droite ou à gauche au choix)

- (4) Verrouillage d'enclenchement de l'interrupteur Marche/Arrêt
- (5) Interrupteur Marche/Arrêt
- (6) Accu^{a)}
- (7) Bouton de déverrouillage d'accu^{a)}
- (8) Vis de couvre-courroie
- (9) Couvre-courroie
- (10) Levier de sélection du côté d'éjection des copeaux
- (11) Semelle de rabot
- (12) Rainures en V
- (13) Clé à douille à poignée en T / clé Torx
- (14) Vis de fixation du mors de serrage
- (15) Mors de serrage
- (16) Tête porte-fer
- (17) Rainure de guidage de fer de rabot
- (18) Fer de rabot HSS
- (19) Étrier de maintien de fer de rabot HSS
- (20) Vis de fixation de l'étrier de maintien de fer de rabot HSS
- (21) Dispositif d'affûtage de fer de rabot HSS
- (22) Calibre de réglage de fer de rabot HSS
- (23) Fer de rabot au carbure (HM/TC)^{a)}
- (24) Butée parallèle
- (25) Échelle graduée pour réglage de la largeur de feuillure
- (26) Écrou de blocage pour réglage de la largeur de feuillure
- (27) Vis de fixation de la butée parallèle
- (28) Flexible d'aspiration (∅ 35 mm)^{a)}
- (29) Sac à poussières/à copeaux^{a)}
- (30) Vis de fixation de butée de profondeur de feuillurage^{a)}
- (31) Butée de profondeur de feuillurage^{a)}
- (32) Patin de repos
- (33) Courroie d'entraînement
- (34) Grande poulie
- (35) Petite poulie
- (36) Poignée (surface de préhension isolée)
- (37) Adaptateur pour remplacement des fers HSS par des fers au carbure^{a)}
- (38) Indicateur d'état de charge sur l'outil électroportatif

a) Les accessoires décrits ou illustrés ne sont pas tous compris dans la fourniture. Vous trouverez l'ensemble des accessoires dans notre gamme d'accessoires.

Caractéristiques techniques

Rabot	GHO 185-LI	
Référence	3 601 EB5 0..	
Tension nominale	V _{nom}	18
Régime à vide ^{A)}	tr/min	14 000

Rabot	GHO 185-LI	
Profondeur de passe	mm	0–2,6
Profondeur de feuillure	mm	0–9
Largeur de rabotage maxi	mm	82
Poids selon EPTA-Proce- dure 01:2014 ^{B)}	kg	2,6–3,7
Températures ambiantes re- commandées pour la charge	°C	0 ... +35
Températures ambiantes admis- sibles pendant l'utilisation ^{C)} et pour le stockage	°C	-20 ... +50
Accus recommandés	GBA 18V... ProCORE18V...	
Chargeurs recommandés	GAL 18... GAX 18... GAL 36...	

A) Mesuré à 20–25 °C avec accu **GBA 18V 4.0Ah**.

B) Dépend de l'accu utilisé

C) Performances réduites à des températures < 0 °C

Les valeurs peuvent varier selon le produit, les conditions d'utilisation et les conditions ambiantes. Pour plus d'informations, rendez-vous sur www.bosch-professional.com/wac.

Informations sur le niveau sonore/les vibrations

Valeurs d'émissions sonores déterminées conformément à **EN 62841-2-14**.

Le niveau sonore en dB(A) typique de l'outil électroportatif est de : niveau de pression acoustique **91 dB(A)** ; niveau de puissance acoustique **99 dB(A)**. Incertitude K = **3 dB**.

Portez un casque antibruit !

Valeurs globales de vibration a_{rh} (somme vectorielle sur les trois axes) et incertitude K conformément à

EN 62841-2-14 :

$a_{rh} = 3,5 \text{ m/s}^2$, K = **1,5 m/s}^2**.

Le niveau de vibration et la valeur d'émission sonore indiqués dans cette notice d'utilisation ont été mesurés selon une procédure de mesure normalisée et peuvent être utilisés pour établir une comparaison entre différents outils électroportatifs. Ils peuvent aussi servir de base à une estimation préliminaire du taux de vibration et du niveau sonore.

Le niveau de vibration et la valeur d'émission sonore indiqués s'appliquent pour les utilisations principales de l'outil électroportatif. Si l'outil électroportatif est utilisé pour d'autres applications, avec d'autres accessoires de travail ou sans avoir fait l'objet d'un entretien régulier, le niveau de vibration et la valeur d'émission sonore peuvent différer. Il peut en résulter des vibrations et un niveau sonore nettement plus élevés pendant toute la durée de travail.

Pour une estimation précise du niveau de vibration et du niveau sonore, il faut aussi prendre en considération les périodes pendant lesquelles l'outil est éteint ou bien en marche sans être vraiment en action. Il peut en résulter au final un niveau de vibration et un niveau sonore nettement plus faibles pendant toute la durée de travail.

Prévoyez des mesures de protection supplémentaires permettant de protéger l'utilisateur de l'effet des vibrations, par exemple : maintenance de l'outil électroportatif et des accessoires de travail, maintien des mains au chaud, organisation des procédures de travail.

Accu

Bosch vend ses outils électroportatifs sans-fil aussi sans accu. Il est indiqué sur l'emballage si un accu est fourni ou non avec l'outil électroportatif.

Recharge de l'accu

► **N'utilisez que les chargeurs indiqués dans les Caractéristiques techniques.** Seuls ces chargeurs sont adaptés à l'accu Lithium-Ion de votre outil électroportatif.

Remarque : Les dispositions internationales en vigueur pour le transport de marchandises obligent à livrer les accus Lithium-Ion partiellement chargés. Pour que les accus soient pleinement performants, chargez-les complètement avant leur première utilisation.

Mise en place de l'accu

Insérez l'accu dans le compartiment à accu jusqu'à ce qu'il s'enclenche.

Retrait de l'accu


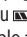
Pour retirer l'accu, appuyez sur le bouton de déverrouillage de l'accu et sortez l'accu de l'outil électroportatif. **Ne forcez pas.**

L'accu dispose d'un double verrouillage permettant d'éviter qu'il tombe si vous appuyez par mégarde sur le bouton de déverrouillage d'accu. Tant que l'accu est en place dans l'outil électroportatif, un ressort le maintient en position.

Indicateur d'état de charge sur l'accu

Remarque : Tous les types d'accu ne possèdent pas d'indicateur d'état de charge.

Les LED vertes de l'indicateur d'état de charge indiquent le niveau de charge de la batterie. Pour des raisons de sécurité, il n'est possible d'afficher l'état de charge que quand l'outil électroportatif est à l'arrêt.

Pour afficher le niveau de charge, appuyez sur le bouton de l'indicateur de niveau de charge  ou . L'affichage du niveau de charge est également possible après retrait de l'accu.

Si aucune LED ne s'allume après avoir appuyé sur le bouton de l'indicateur de niveau de charge, la batterie est défectueuse et doit être remplacée.

Batterie de type GBA 18V...



LED	Capacité
Allumage permanent en vert de 3 LED	60–100 %
Allumage permanent en vert de 2 LED	30–60 %

LED	Capacité
Allumage permanent en vert de 1 LED	5–30 %
Clignotement en vert de 1 LED	0–5 %

Batterie de type ProCORE18V...



LED	Capacité
Allumage permanent en vert de 5 LED	80–100 %
Allumage permanent en vert de 4 LED	60–80 %
Allumage permanent en vert de 3 LED	40–60 %
Allumage permanent en vert de 2 LED	20–40 %
Allumage permanent en vert de 1 LED	5–20 %
Clignotement en vert de 1 LED	0–5 %

Indicateur d'état de charge de l'outil électroportatif

Quand l'outil électroportatif est en marche, l'indicateur de niveau de charge de l'outil électroportatif indique la capacité d'accu encore disponible ou signale une surcharge.

LED	Capacité
Allumage permanent en vert de 3 LED	60–100 %
Allumage permanent en vert de 2 LED	30–60 %
Allumage permanent en vert de 1 LED	5–30 %
Clignotement en vert de 1 LED	0–5 %

LED	Signification
Clignotement de 3 LED	La protection contre les surcharges s'est déclenchée
Clignotement de la LED médiane	Température de l'accu en dehors de la plage de températures de fonctionnement admissibles et/ou la protection contre les surchauffes de l'outil s'est déclenchée

Indications pour une utilisation optimale de la batterie

Protégez l'accu de l'humidité et de l'eau.

Ne stockez l'accu que dans la plage de températures de –20 à 50 °C. Ne laissez par ex. pas l'accu dans une voiture en plein été.

Nettoyez de temps en temps les orifices de ventilation de l'accu à l'aide d'un pinceau doux, propre et sec.

Une baisse notable de l'autonomie de l'accu au fil des recharges effectuées indique que l'accu est arrivé en fin de vie et qu'il doit être remplacé.

Respectez les indications concernant l'élimination.

Montage

► **Retirez l'accu de l'appareil électroportatif avant toute intervention (opérations d'entretien/de maintenance, changement d'accessoire, etc.) ainsi que lors de son transport et rangement.** Il y a sinon risque de blessure lorsqu'on appuie par mégarde sur l'interrupteur Marche/ Arrêt.

Choix des fers de rabot

L'outil électroportatif peut être équipé de différents fers de rabot.

L'adaptateur (37) (accessoire) permet d'utiliser des fers en carbure (23) à la place des fers HSS (18).

Lors d'un changement de fers, remplacez toujours les deux fers à la fois, pour éviter de créer un déséquilibre susceptible à générer des vibrations et de réduire la durée de vie de l'outil électroportatif.

Remplacement des fers de rabot HSS

► **Attention lors du changement des fers de rabot. Ne touchez pas les bords tranchants des fers de rabot.** Vous risqueriez de vous blesser.

Retrait des fers de rabot (voir figures A-C)

- Pour remplacer les fers de rabot, tournez la tête porte-fers (16), jusqu'à ce que la mâchoire de serrage (15) soit parallèle à la semelle (11).
- Retirez les 3 vis de fixation (14) à l'aide de la clé à douille à poignée en T (13) et enlevez le mors de serrage (15).
- Poussez l'étrier de maintien (19) avec le fer de rabot (18) pour les sortir de la tête porte-fers (16) / de la rainure de guidage (17).
- Tournez la tête porte-fers de 180° et retirez le second fer de rabot.

Remarque : Avant de remplacer ou de réaffûter les fers de rabot, enlevez l'étrier de maintien (19) en dévissant la vis de fixation (20).

Réaffûtage des fers de rabot HSS (voir figure D)

En utilisation le dispositif d'affûtage (21) (accessoire) et une pierre à aiguiser du commerce, il est possible de réaffûter les fers de rabot HSS usés ou émoussés.

Placez les deux fers de rabot dans le dispositif d'affûtage et serrez-les à l'aide de la vis papillon. Veillez à bien enfoncer les deux fers de rabot à fond, jusqu'en butée.

Déplacez les fers de rabot le long de la pierre à aiguiser avec un mouvement régulier et en exerçant une pression modérée.

Remarque : Les fers de rabot ne doivent être réaffûtés que de maximum 6 mm sur une largeur minimale de 23 mm. Une fois la cote de réaffûtage maximale atteinte, il faut remplacer les deux fers.

Montage de fers de rabot (voir figures E-F)

Avant de remonter des fers de rabot neufs ou réaffûtés, nettoyez la tête porte-fers (16) et, si nécessaire, le fer de rabot (18) et l'étrier de maintien (19). Nettoyez les fers de

rabot qui sont recouverts de résine avec de l'alcool ou du white spirit.

Remarque : Il convient de toujours régler les fers de rabot neufs ou réaffûtés à la bonne hauteur avant de les monter.

Le réglage en hauteur des fers s'effectue grâce au calibre de réglage (22) (accessoire). Placez le fer de rabot (18) et l'étrier de maintien (19) sur le calibre de réglage. Veillez à ce que l'étrier de maintien (19) s'engage dans la rainure prévue à cet effet. Poussez le fer de rabot (18) contre la butée et bloquez l'étrier de maintien (19) dans cette position à l'aide de la vis de fixation (20). Cela permet d'obtenir automatiquement la bonne hauteur de réglage.

Le fer de rabot doit être monté et positionné **au milieu de la semelle (11)**. Resserrez ensuite les 3 vis de fixation (14) à l'aide de la clé à douille à poignée en T (13). Respectez ce faisant l'ordre de serrage (①②③) indiqué sur la mâchoire de serrage (15).

Remarque : Avant de mettre en marche l'outil électroportatif, contrôlez le serrage des vis de fixation (14). Tournez la tête porte-lames (16) à la main et assurez-vous que les fers de rabot ne raclent nulle part.

Remplacement des fers de rabot au carbure (TC)

► **Attention lors du changement des fers de rabot. Ne touchez pas les bords tranchants des fers de rabot.** Vous risqueriez de vous blesser.

N'utilisez que des lames de rabot au carbure (HM/TC) d'origine **Bosch**.

Les fers de rabot au carbure (HM/TC) disposent de 2 tranchants et ils sont réversibles. Lorsque les deux bords tranchants sont émoussés, le fer de rabot (23) doit être remplacé. Le fer de rabot au carbure (HM/TC) ne doit pas être réaffûté.

Retrait des fers de rabot (voir figures G-H)

- Pour retourner ou remplacer les fers de rabot, faites tourner la tête porte-fers (16), jusqu'à ce que la mâchoire de serrage (15) soit parallèle à la semelle (11).
- Desserrez les 3 vis de fixation (14) d'env. 1 à 2 tours à l'aide du tournevis Torx (13). Il n'est pas nécessaire d'enlever la mâchoire de serrage (15).
- Tournez légèrement la tête porte-fers et faites sortir par le côté le fer de rabot (23) de la tête porte-fers (16) en le poussant avec un morceau de bois.
- Tournez la tête porte-fers de 180° et retirez le second fer de rabot.

Montage des fers de rabot (voir figures I-J)

La rainure de guidage du fer de rabot fait en sorte que la hauteur de réglage soit toujours correcte lorsqu'on change ou retourne le fer.

Nettoyez si nécessaire le logement des fers dans la tête porte-fers (16) ainsi que les fers de rabot (23).

Lors du montage du fer de rabot, veillez à ce qu'il repose correctement dans le guidage de la tête porte-fers (16).

Le fer de rabot doit être monté et positionné **au milieu de la semelle (11)**. Une fois le fer bien en place, serrez les 3 vis

de fixation (14) à l'aide du tournevis Torx (13). Respectez ce faisant l'ordre de serrage (① ② ③) indiqué sur la mâchoire de serrage (15).

Remarque : Avant de mettre en marche l'outil électroportatif, contrôlez le serrage des vis de fixation (14). Tournez la tête porte-lames (16) à la main et assurez-vous que les fers de rabot ne raclent nulle part.

Utilisation de kits de transformation

Remplacement des fers HSS par des fers au carbure

L'adaptateur TC (accessoire) permet d'utiliser des fers carbure à la place des fers HSS.

- Retirez les 3 vis de fixation (14) à l'aide du tournevis Torx (13) et enlevez la mâchoire de serrage (15).
- Poussez l'étrier de maintien (19) avec le fer de rabot (18) pour les sortir de la tête porte-fers (16) / de la rainure de guidage (17).
- Retirez les vis (20).
- Placez l'étrier de maintien (19) et l'adaptateur (37) dans le calibre de réglage (22). L'étrier de maintien (19) doit s'enclencher dans la rainure du calibre de réglage (voir figure 5).
- Glissez par le côté le fer de rabot au carbure (23) dans l'adaptateur (37). La barrette de l'adaptateur (37) doit s'engager dans la rainure du fer de rabot au carbure (voir figure 5).
- Resserrez les vis (20).
- Placez l'étrier de maintien (19) avec l'adaptateur (37) et le fer de rabot (18) dans la tête porte-fers (16) / la rainure de guidage (17).
- Remontez la mâchoire de serrage (15) et vissez les vis de fixation (14) sans les serrer.
- Le fer de rabot doit être monté et positionné **au milieu de la semelle (11)**. Une fois le fer bien en place, serrez les 3 vis de fixation (14) à l'aide du tournevis Torx (13). Respectez ce faisant l'ordre de serrage (① ② ③) indiqué sur la mâchoire de serrage (15).

Remplacement de fers TC par des fers HSS

Les rabots dotés de fers au carbure (TC) peuvent être transformés pour pouvoir utiliser des fers en acier HSS.

- Retirez les 3 vis de fixation (14) à l'aide du tournevis Torx (13) et enlevez la mâchoire de serrage (15).
- Glissez l'étrier de maintien (19) avec le fer (18) et l'adaptateur TC (37) hors de la tête porte-fers (16).
- Retirez les vis (20).
- Montez le fer de rabot HSS (voir « Montage de fers de rabot (voir figures E-F) », Page 20) en le positionnant **au centre de la semelle (11)**.
- Positionnez la mâchoire de serrage (15) et serrez les 3 vis de fixation (14) à l'aide du tournevis Torx (13). Respectez ce faisant l'ordre de serrage (① ② ③) indiqué sur la mâchoire de serrage (15).

Aspiration de poussières/de copeaux

Les poussières de matériaux tels que peintures contenant du plomb, certains bois, minéraux ou métaux, peuvent être nuisibles à la santé. Le contact avec les poussières ou leur inhalation peut entraîner des réactions allergiques et/ou des maladies respiratoires auprès de l'utilisateur ou des personnes se trouvant à proximité.

Certaines poussières telles que les poussières de chêne ou de hêtre sont considérées comme cancérigènes, surtout en association avec des additifs pour le traitement du bois (chromate, lasure). Les matériaux contenant de l'amiante ne doivent être travaillés que par des personnes qualifiées.

- Si possible, utilisez un dispositif d'aspiration des poussières approprié au matériau.
- Veillez à bien aérer la zone de travail.
- Il est recommandé de porter un masque respiratoire avec un niveau de filtration de classe P2.

Respectez les règlements spécifiques aux matériaux à traiter en vigueur dans votre pays.

► Évitez toute accumulation de poussières sur le lieu de travail.

Les poussières peuvent facilement s'enflammer. Nettoyez régulièrement l'éjecteur de copeaux (3). Pour nettoyer un éjecteur de copeaux partiellement obstrué, utilisez un moyen approprié, par ex. un morceau de bois, de l'air comprimé, etc.

► Ne mettez jamais la main dans l'éjecteur de copeaux.

Vous risqueriez d'être blessé par des pièces en rotation.

Pour garantir une aspiration optimale, utilisez toujours un dispositif d'aspiration externe (aspirateur) ou un sac à poussières/à copeaux.

Aspiration des copeaux avec un aspirateur (voir figure N)

Il est possible de raccorder un flexible d'aspiration (Ø 35 mm) (28) (accessoire) des deux côtés de l'éjecteur de copeaux.

Raccordez l'autre extrémité du tuyau d'aspiration (28) à un aspirateur (accessoire). Vous trouverez à la fin de cette notice une vue d'ensemble des aspirateurs auxquels peut être raccordé l'outil électroportatif.

L'aspirateur doit être conçu pour le type de matériau à aspirer.

Pour l'aspiration de poussières particulièrement nocives, cancérigènes ou sèches, utilisez un aspirateur spécial.

Aspiration avec sac à poussières (voir figure N)

Pour de petits travaux, il est possible d'utiliser un sac à poussières/à copeaux (accessoire) (29). Insérez fermement la tubulure du sac à poussière dans l'éjecteur de copeaux (3). Pour toujours disposer d'un bon pouvoir aspirant, videz le sac à poussière/copeaux (29) à temps, sans attendre qu'il soit trop plein.

Réglage du côté d'éjection des copeaux

Le levier de commutation (10) permet de régler le côté d'éjection des copeaux (vers la droite ou vers la gauche) au niveau de l'éjecteur (3). Poussez toujours le levier de commutation (10) à fond jusqu'à ce qu'il s'encliquette. Le côté

d'éjection choisi est indiqué par une flèche sur le levier de commutation (10).

Utilisation

Mise en marche

Réglage de la profondeur de passe

Le bouton rotatif (2) permet de régler la profondeur de passe en continu de **0–2,6 mm** à l'aide de l'échelle graduée (1) (1 graduation = **0,1 mm**).

Mise en marche/arrêt

► Assurez-vous de pouvoir actionner l'interrupteur Marche/Arrêt sans avoir à relâcher la poignée.

Pour **démarrer** l'outil électroportatif, actionnez d'abord l'interrupteur de déverrouillage (4) et appuyez **ensuite** sur l'interrupteur Marche/Arrêt (5) en le maintenant enfoncé.

Pour **arrêter** l'outil électroportatif, relâchez l'interrupteur Marche/Arrêt (5).

Remarque : Pour des raisons de sécurité, il n'est pas possible de verrouiller l'interrupteur Marche/Arrêt (5). Il faut le maintenir constamment enfoncé pendant l'utilisation de l'outil électroportatif.

Instructions d'utilisation

► **Retirez l'accu de l'appareil électroportatif avant toute intervention (opérations d'entretien/de maintenance, changement d'accessoire, etc.) ainsi que lors de son transport et rangement.** Il y a sinon risque de blessure lorsqu'on appuie par mégarde sur l'interrupteur Marche/Arrêt.

Patin de repos (voir figure O)

Le patin de repos (32) permet de poser l'outil électroportatif immédiatement après son utilisation sans risquer d'endommager la pièce ou le fer de rabot. Lors du rabotage, le patin de repos (32) est basculé vers le haut, de façon à ce que la partie arrière de la semelle (11) vienne en contact avec la pièce.

Remarque : Le patin de repos (32) ne doit pas être démonté.

Processus de rabotage (voir figure O)

Réglez la profondeur de passe souhaitée et appliquez la partie avant de la semelle (11) de l'outil électroportatif contre la pièce.

► **N'approchez l'outil électroportatif de la pièce à scier qu'après l'avoir mis en marche.** Il y a sinon risque de rebond au cas où la lame resterait coincée dans la pièce.

Mettez l'outil électroportatif en marche et déplacez-le le long de la surface à raboter avec une vitesse d'avance régulière. Pour d'obtenir une bonne qualité de surface, travaillez avec une avance modérée et exercez la pression sur le milieu de la semelle.

Pour raboter des matériaux durs (bois dur par ex.) ou pour raboter avec la largeur de rabotage maximale, réglez une petite profondeur de passe et réduisez la vitesse d'avance.

Une vitesse d'avance trop élevée réduit la qualité de la surface et peut provoquer une obturation rapide de l'éjecteur de copeaux.

Pour réaliser des coupes parfaites et ménager l'outil électroportatif, il faut que les fers de rabot soient bien aiguisés.

Le patin de repos intégré (32) permet d'interrompre puis de reprendre le rabotage à n'importe quel endroit de la pièce :

- Posez l'outil électroportatif – avec le patin de repos rabattu vers le bas – à l'endroit de la pièce où vous souhaitez vous remettre à raboter.
- Mettez l'outil électroportatif en marche.
- Déplacez la pression exercée vers la partie avant de la semelle et poussez lentement l'outil électroportatif vers l'avant (⊙). Le patin de repos se rabat alors automatiquement vers le haut (⊙), ce qui permet à la partie arrière de la semelle de venir en contact avec la pièce.
- Déplacez l'outil électroportatif le long de la surface avec une vitesse d'avance régulière (⊙).

Chanfreinage de bords (voir figure P)

La partie avant de la semelle possède des rainures en V permettant de chanfreiner rapidement et facilement des bords de pièce. Utilisez la rainure en V permettant d'obtenir la largeur de chanfrein voulue. Pour chanfreiner, posez le rabot avec la rainure en V sur le bord de la pièce et déplacez l'outil le long du bord.

	Rainure utilisée	Cote a (mm)
	aucune	0–2,5
	petite	1,5–4,0
	moyenne	2,0–4,5
	grande	3,0–5,5

Rabotage avec la butée parallèle (voir les figures K–M)

Montez sur l'outil électroportatif la butée parallèle (24) avec la vis de fixation (27). Pour certaines utilisations, montez sur l'outil électroportatif la butée de profondeur de feuillurage (31) avec la vis de fixation (30).

Desserrez l'écrou de blocage (26) et réglez la largeur de feuillurage souhaitée sur l'échelle graduée (25). Resserrez l'écrou de blocage (26).

Réglez la profondeur de feuillurage souhaitée au moyen de la butée de profondeur de feuillurage (31).

Effectuez plusieurs passes jusqu'à obtenir la profondeur de feuillurage souhaitée. Guidez le rabot en exerçant une pression latérale.

Entretien et Service après-vente

Nettoyage et entretien

► **Retirez l'accu de l'appareil électroportatif avant toute intervention (opérations d'entretien/de maintenance, changement d'accessoire, etc.) ainsi que lors de son transport et rangement.** Il y a sinon risque de blessure lorsqu'on appuie par mégarde sur l'interrupteur Marche/Arrêt.

► **Tenez toujours propres l'outil électroportatif ainsi que les fentes de ventilation afin d'obtenir un travail impeccable et sûr.**

Assurez-vous de la bonne mobilité du patin de repos (32) et nettoyez-le régulièrement.

Lorsque les charbons sont usés, l'outil électroportatif s'arrête automatiquement. L'outil électroportatif doit alors être envoyé pour réparation à un centre de service après-vente. Pour les adresses, voir la section « Service après-vente et conseil utilisateurs ».

Changement de la courroie d'entraînement (voir figures Q-R)

Retirez la vis (8) et enlever le couvre-courroie (9). Enlevez la courroie d'entraînement (33) usagée.

Avant de monter une nouvelle courroie d'entraînement (33), nettoyez les deux poulies (34) et (35).

Positionnez la nouvelle courroie d'entraînement (33) d'abord autour de la petite poulie (35) puis enroulez la courroie (33) autour de la grande poulie (34) en la tournant manuellement.

Veillez à ce que la courroie d'entraînement (33) soit correctement positionnée dans les gorges longitudinales des poulies (34) et (35).

Remontez le couvre-courroie (9) et resserrez la vis (8).

Service après-vente et conseil utilisateurs

Notre Service après-vente répond à vos questions concernant la réparation et l'entretien de votre produit et les pièces de rechange. Vous trouverez des vues éclatées et des informations sur les pièces de rechange sur le site :

www.bosch-pt.com

L'équipe de conseil utilisateurs Bosch se tient à votre disposition pour répondre à vos questions concernant nos produits et leurs accessoires.

Pour toute demande de renseignement ou toute commande de pièces de rechange, précisez impérativement la référence à 10 chiffres figurant sur l'étiquette signalétique du produit.

Maroc

Robert Bosch Morocco SARL
53, Rue Lieutenant Mahroud Mohamed
20300 Casablanca
Tel. : +212 5 29 31 43 27
E-Mail : sav.outillage@ma.bosch.com

Vous trouverez d'autres adresses du service après-vente sous :

www.bosch-pt.com/serviceaddresses

Transport

Les accus Lithium-ion recommandés sont soumis à la réglementation relative au transport de matières dangereuses. Pour le transport sur route par l'utilisateur, aucune autre mesure n'a besoin d'être prise.

Lors d'une expédition par un tiers (par ex. transport aérien ou entreprise de transport), des mesures spécifiques

doivent être prises concernant l'emballage et le marquage. Pour la préparation de l'envoi, faites-vous conseiller par un expert en transport de matières dangereuses.

N'expédiez que des accus dont le boîtier n'est pas endommagé. Recouvrez les contacts non protégés et emballez l'accu de manière à ce qu'il ne puisse pas se déplacer dans l'emballage. Veuillez également respecter les réglementations supplémentaires éventuellement en vigueur.

Élimination des déchets



Les outils électroportatifs, les accus ainsi que leurs accessoires et emballages doivent être rapportés dans un centre de recyclage respectueux de l'environnement.



Ne jetez pas les outils électroportatifs et les accus/piles avec les ordures ménagères !

Accus/piles :

Li-Ion :

Veillez respecter les indications se trouvant dans le chapitre Transport (voir « Transport », Page 23).

Português

Instruções de segurança

Instruções gerais de segurança para ferramentas eléctricas

AVISO

Devem ser lidas todas as indicações de segurança,

instruções, ilustrações e especificações desta ferramenta eléctrica. O desrespeito das instruções apresentadas abaixo poderá resultar em choque eléctrico, incêndio e/ou ferimentos graves.

Guarde bem todas as advertências e instruções para futura referência.

O termo "ferramenta eléctrica" utilizado a seguir nas indicações de advertência, refere-se a ferramentas eléctricas operadas com corrente de rede (com cabo de rede) e a ferramentas eléctricas operadas com acumulador (sem cabo de rede).

Segurança da área de trabalho

- **Mantenha a sua área de trabalho sempre limpa e bem iluminada.** Desordem ou áreas de trabalho insuficientemente iluminadas podem levar a acidentes.
- **Não trabalhar com a ferramenta eléctrica em áreas com risco de explosão, nas quais se encontrem líquidos, gases ou pós inflamáveis.** Ferramentas eléctricas produzem faíscas, que podem inflamar pós ou vapores.

- ▶ **Manter crianças e outras pessoas afastadas da ferramenta eléctrica durante a utilização.** No caso de distração é possível que perca o controlo sobre o aparelho.

Segurança eléctrica

- ▶ **A ficha de conexão da ferramenta eléctrica deve caber na tomada. A ficha não deve ser modificada de maneira alguma. Não utilizar uma ficha de adaptação junto com ferramentas eléctricas protegidas por ligação à terra.** Fichas não modificadas e tomadas apropriadas reduzem o risco de um choque eléctrico.
- ▶ **Evitar que o corpo possa entrar em contacto com superfícies ligadas à terra, como tubos, aquecimentos, fogões e frigoríficos.** Há um risco elevado devido a choque eléctrico, se o corpo estiver ligado à terra.
- ▶ **Manter o aparelho afastado de chuva ou humidade.** A infiltração de água numa ferramenta eléctrica aumenta o risco de choque eléctrico.
- ▶ **Não deverá utilizar o cabo para outras finalidades. Nunca utilizar o cabo para transportar a ferramenta eléctrica, para pendurá-la, nem para puxar a ficha da tomada. Manter o cabo afastado do calor, do óleo, de arestas afiadas ou de peças em movimento.** Cabos danificados ou emaranhados aumentam o risco de um choque eléctrico.
- ▶ **Se trabalhar com uma ferramenta eléctrica ao ar livre, só deverá utilizar cabos de extensão apropriados para áreas exteriores.** A utilização de um cabo de extensão apropriado para áreas exteriores reduz o risco de um choque eléctrico.
- ▶ **Se não for possível evitar o funcionamento da ferramenta eléctrica em áreas húmidas, deverá ser utilizado um disjuntor de corrente de avaria.** A utilização de um disjuntor de corrente de avaria reduz o risco de um choque eléctrico.

Segurança de pessoas

- ▶ **Esteja atento, observe o que está a fazer e tenha prudência ao trabalhar com a ferramenta eléctrica. Não utilizar uma ferramenta eléctrica quando estiver fatigado ou sob a influência de drogas, álcool ou medicamentos.** Um momento de descuido ao utilizar a ferramenta eléctrica, pode levar a lesões graves.
- ▶ **Utilizar equipamento de protecção individual. Utilizar sempre óculos de protecção.** A utilização de equipamento de protecção pessoal, como máscara de protecção contra pó, sapatos de segurança antiderrapantes, capacete de segurança ou protecção auricular, de acordo com o tipo e aplicação da ferramenta eléctrica, reduz o risco de lesões.
- ▶ **Evitar uma colocação em funcionamento involuntária. Assegure-se de que a ferramenta eléctrica esteja desligada, antes de conectá-la à alimentação de rede e/ou ao acumulador, antes de levantá-la ou de transportá-la.** Se tiver o dedo no interruptor ao transportar a ferramenta eléctrica ou se o aparelho for

conectado à alimentação de rede enquanto estiver ligado, poderão ocorrer acidentes.

- ▶ **Remover ferramentas de ajuste ou chaves de boca antes de ligar a ferramenta eléctrica.** Uma ferramenta ou chave que se encontre numa parte do aparelho em movimento pode levar a lesões.
- ▶ **Evite uma posição anormal. Mantenha uma posição firme e mantenha sempre o equilíbrio.** Desta forma é mais fácil controlar a ferramenta eléctrica em situações inesperadas.
- ▶ **Usar roupa apropriada. Não usar roupa larga nem jóias. Mantenha os cabelos e roupas afastados de peças em movimento.** Roupas frouxas, cabelos longos ou jóias podem ser agarrados por peças em movimento.
- ▶ **Se for possível montar dispositivos de aspiração ou de recolha, assegure-se de que estejam conectados e utilizados correctamente.** A utilização de uma aspiração de pó pode reduzir o perigo devido ao pó.
- ▶ **Não deixe que a familiaridade resultante de uma utilização frequente de ferramentas permita que você se torne complacente e ignore os princípios de segurança da ferramenta.** Uma acção descuidada pode causar ferimentos graves numa fracção de segundo.

Utilização e manuseio cuidadoso de ferramentas eléctricas

- ▶ **Não sobrecarregue a ferramenta eléctrica. Utilize a ferramenta eléctrica apropriada para o seu trabalho.** É melhor e mais seguro trabalhar com a ferramenta eléctrica apropriada na área de potência indicada.
- ▶ **Não utilizar uma ferramenta eléctrica com um interruptor defeituoso.** Uma ferramenta eléctrica que não pode mais ser ligada nem desligada, é perigosa e deve ser reparada.
- ▶ **Puxar a ficha da tomada e/ou remover o acumulador, se amovível, antes de executar ajustes na ferramenta eléctrica, de substituir acessórios ou de guardar as ferramentas eléctricas.** Esta medida de segurança evita o arranque involuntário da ferramenta eléctrica.
- ▶ **Guardar ferramentas eléctricas não utilizadas fora do alcance de crianças e não permitir que as pessoas que não estejam familiarizadas com o aparelho ou que não tenham lido estas instruções utilizem o aparelho.** Ferramentas eléctricas são perigosas se forem utilizadas por pessoas inexperientes.
- ▶ **Tratar a ferramenta eléctrica e os acessórios com cuidado. Controlar se as partes móveis do aparelho funcionam perfeitamente e não emperram, e se há peças quebradas ou danificadas que possam prejudicar o funcionamento da ferramenta eléctrica. Permitir que peças danificadas sejam reparadas antes da utilização.** Muitos acidentes têm como causa, a manutenção insuficiente de ferramentas eléctricas.
- ▶ **Manter as ferramentas de corte afiadas e limpas.** Ferramentas de corte cuidadosamente tratadas e com cantos de corte afiados emperram com menos frequência e podem ser conduzidas com maior facilidade.

- ▶ **Utilizar a ferramenta eléctrica, acessórios, ferramentas de aplicação, etc. conforme estas instruções. Considerar as condições de trabalho e a tarefa a ser executada.** A utilização de ferramentas eléctricas para outras tarefas a não ser as aplicações previstas, pode levar a situações perigosas.
- ▶ **Mantenha os punhos e as superfícies de agarrar secas, limpas e livres de óleo e massa consistente.** Punhos e superfícies de agarrar escorregadias não permitem o manuseio e controle seguros da ferramenta em situações inesperadas.

Manuseio e utilização cuidadosos de ferramentas com acumuladores

- ▶ **Só carregar acumuladores em carregadores recomendados pelo fabricante.** Há perigo de incêndio se um carregador apropriado para um certo tipo de acumuladores for utilizado para carregar acumuladores de outros tipos.
- ▶ **Só utilizar ferramentas eléctricas com os acumuladores apropriados.** A utilização de outros acumuladores pode levar a lesões e perigo de incêndio.
- ▶ **Manter o acumulador que não está sendo utilizado afastado de cliques, moedas, chaves, parafusos ou outros pequenos objectos metálicos que possam causar um curto-circuito dos contactos.** Um curto-circuito entre os contactos do acumulador pode ter como consequência queimaduras ou fogo.
- ▶ **No caso de aplicação incorrecta pode vaziar líquido do acumulador. Evitar o contacto. No caso de um contacto accidental, deverá enxaguar com água. Se o líquido entrar em contacto com os olhos, também deverá consultar um médico.** Líquido que escapa do acumulador pode levar a irritações da pele ou a queimaduras.
- ▶ **Não use um acumulador ou uma ferramenta danificada ou modificada.** Os acumuladores danificados ou modificados exibem um comportamento imprevisível podendo causar incêndio, explosão ou risco de lesão.
- ▶ **Não exponha o acumulador ou a ferramenta ao fogo ou temperatura excessiva.** A exposição ao fogo ou a temperaturas acima de 130 °C pode causar explosão.
- ▶ **Siga todas as instruções de carregamento e não carregue o acumulador ou a ferramenta fora da faixa de temperatura especificada no manual de instruções.** Carregar indevidamente ou em temperaturas fora da faixa especificada pode danificar o acumulador e aumentar o risco de incêndio.

Serviço

- ▶ **Só permita que o seu aparelho seja reparado por pessoal especializado e qualificado e só com peças de reposição originais.** Desta forma é assegurado o funcionamento seguro do aparelho.
- ▶ **Nunca tente reparar acumuladores danificados.** A reparação de acumuladores deve ser realizada apenas pelo fabricante ou agentes de assistência autorizados.

Instruções de segurança para plainas

- ▶ **Aguarde quer o cortador pare antes de pousar a ferramenta.** Um cortador em rotação exposto pode engatar na superfície e levar a uma possível perda de controlo e provocar ferimentos graves.
- ▶ **Use grampos ou outra forma prática e para fixar e suportar a peça numa plataforma estável.** Segurar a peça com a mão ou contra o seu corpo deixa-a instável e pode levar à perda de controlo.
- ▶ **Só conduzir a ferramenta eléctrica no sentido da peça a ser trabalhada quando estiver ligada.** Caso contrário há risco de um contragolpe, se a ferramenta de aplicação se engancha na peça a ser trabalhada.
- ▶ **Não insira as mãos na remoção de aparas.** Pode sofrer ferimentos nas peças em rotação.
- ▶ **Nunca passe a plaina por cima de objetos de metal, pregos ou parafusos.** A lâmina e o eixo da lâmina podem ficar danificados e fazer aumentar as vibrações.
- ▶ **Utilizar detetores apropriados, para encontrar cabos escondidos, ou consulte a companhia eléctrica local.** O contacto com cabos eléctricos pode provocar fogo e choques eléctricos. Danos em tubos de gás podem levar à explosão. A infiltração num cano de água provoca danos materiais.
- ▶ **Ao trabalhar, segure a plaina de maneira a que a base da plaina assente de forma plana sobre a peça.** Caso contrário, a plaina poderá ser emperrada e provocar lesões.
- ▶ **Em caso de danos e de utilização incorreta da bateria, podem escapar vapores. A bateria pode incendiar-se ou explodir.** Areje o espaço e procure assistência médica no caso de apresentar queixas. É possível que os vapores irrite as vias respiratórias.
- ▶ **Não abrir o acumulador.** Há risco de um curto-circuito.
- ▶ **Os objetos afiados como, p. ex., pregos ou chaves de fendas, assim como o efeito de forças externas podem danificar o acumulador.** Podem causar um curto-circuito interno e o acumulador pode ficar queimado, deitar fumo, explodir ou sobreaquecer.
- ▶ **Use a bateria apenas em produtos do fabricante.** Só assim é que a bateria é protegida contra sobrecarga perigosa.



Proteger a bateria contra calor, p. ex. também contra uma permanente radiação solar, fogo, sujidade, água e humidade. Há risco de explosão ou de um curto-circuito.



- ▶ **Durante o trabalho, segure a ferramenta eléctrica com as duas mãos e providencie uma estabilidade segura.** A ferramenta eléctrica é conduzida com maior segurança com ambas as mãos.

Descrição do produto e do serviço



Leia todas as instruções de segurança e instruções. A inobservância das instruções de segurança e das instruções pode causar choque elétrico, incêndio e/ou ferimentos graves.

Respeite as figuras na parte da frente do manual de instruções.

Utilização adequada

A ferramenta elétrica destina-se a aplainar, num apoio fixo, derivados de madeira como p. ex. vigas e tábuas. Também é adequada para chanfrar arestas e executar ensabladuras.

Componentes ilustrados

A numeração dos componentes ilustrados refere-se à apresentação da ferramenta elétrica na página de esquemas.

- (1) Escala da espessura da avara
- (2) Botão giratório para o ajuste da profundidade do rebaixo (superfície isolada)
- (3) Expulsão de aparas (opcionalmente na esquerda/direita)
- (4) Bloqueio de ligação para o interruptor de ligar/desligar
- (5) Interruptor de ligar/desligar
- (6) Bateria^{a)}
- (7) Tecla de desbloqueio da bateria^{a)}
- (8) Parafuso da cobertura da correia
- (9) Cobertura da correia
- (10) Alavanca de conversão para sentido de expulsão das aparas
- (11) Sola da plaina
- (12) Ranhuras em V
- (13) Chave de caixa de punho em T/chave Torx
- (14) Parafuso de fixação para mordente de aperto
- (15) Mordente de aperto
- (16) Ponta da lâmina
- (17) Ranhura de guia para lâmina de aplainar
- (18) Lâmina de aplainar HSS
- (19) Arco de suporte da lâmina de aplainar HSS
- (20) Parafuso de fixação para arco de suporte da lâmina de aplainar HSS
- (21) Dispositivo de afiar para lâmina de aplainar HSS
- (22) Calibre de regulação para lâmina de aplainar HSS
- (23) Lâmina de aplainar HM/TC^{a)}
- (24) Guia paralela
- (25) Escala para a largura do entalhe
- (26) Porca de fixação para o ajuste da largura do entalhe
- (27) Parafuso de fixação para guia paralela
- (28) Mangueira de aspiração (∅ 35 mm)^{a)}
- (29) Saco de pó/de aparas^{a)}
- (30) Parafuso de fixação para limitador da profundidade de rebaixo^{a)}
- (31) Limitador da profundidade de rebaixo^{a)}
- (32) Patim de descanso
- (33) Correia de acionamento
- (34) Roda grande da correia
- (35) Roda pequena da correia
- (36) Punho (superfície do punho isolada)
- (37) Adaptador para a conversão de lâmina de aplainar HSS para TC^{a)}
- (38) Indicador do nível de carga da bateria na ferramenta elétrica

a) **Acessórios apresentados ou descritos não pertencem ao volume de fornecimento padrão. Todos os acessórios encontram-se no nosso programa de acessórios.**

Dados técnicos

Plaina	GHO 185-LI	
Número de produto		3 601 EB5 0..
Tensão nominal	V~	18
Número de rotações em vazio ^{A)}	r.p.m.	14000
Espessura da avara	mm	0–2,6
Profundidade do rebaixo	mm	0–9
Máx. largura da plaina	mm	82
Peso conforme EPTA-Procedure 01:2014 ^{B)}	kg	2,6–3,7
Temperatura ambiente recomendada durante o carregamento	°C	0 ... +35
Temperatura ambiente admissível em funcionamento ^{C)} e durante o armazenamento	°C	-20 ... +50
Baterias recomendadas		GBA 18V... ProCORE18V...
Carregadores recomendados		GAL 18... GAX 18... GAL 36...

A) Medido a 20–25 °C com bateria **GBA 18V 4.0Ah**.

B) dependendo da bateria utilizada

C) Potência limitada com temperaturas <0 °C

Os valores podem variar em função do produto e estar sujeitos a condições de aplicação e do meio ambiente. Para mais informações consulte www.bosch-professional.com/wac.

Informação sobre ruídos/vibrações

Os valores de emissão de ruído foram determinados de acordo com **EN 62841-2-14**.

O nível sonoro avaliado como A da ferramenta elétrica é normalmente de: nível de pressão sonora **91 dB(A)**; nível de potência sonora **99 dB(A)**. Incerteza K = **3 dB**.

Utilizar proteção auditiva!

Valores totais de vibração a_h (soma dos vetores das três direções) e incerteza K determinada segundo

EN 62841-2-14:

$a_h = 3,5 \text{ m/s}^2$, $K = 1,5 \text{ m/s}^2$.

O nível de vibrações indicado nestas instruções e o valor de emissões sonoras foram medidos de acordo com um processo de medição normalizado e podem ser utilizados para a comparação de ferramentas elétricas. Também são adequados para uma avaliação provisória das emissões sonoras e de vibrações.

O nível de vibrações indicado e o valor de emissões sonoras representam as aplicações principais da ferramenta elétrica. Se a ferramenta elétrica for utilizada para outras aplicações, com outras ferramentas de trabalho ou com manutenção insuficiente, é possível que o nível de vibrações e de emissões sonoras seja diferente. Isto pode aumentar sensivelmente a emissão sonora e de vibrações para o período completo de trabalho.

Para uma estimativa exata da emissão sonora e de vibrações, também deveriam ser considerados os períodos nos quais o aparelho está desligado ou funciona, mas não está sendo utilizado. Isto pode reduzir a emissão sonora e de vibrações durante o completo período de trabalho.

Além disso também deverão ser estipuladas medidas de segurança para proteger o operador contra o efeito de vibrações, como por exemplo: manutenção de ferramentas elétricas e acessórios, manter as mãos quentes e organização dos processos de trabalho.

Bateria

Bosch vende ferramentas elétricas sem fio também sem bateria. Pode consultar na embalagem se está incluída uma bateria no volume de fornecimento da sua ferramenta elétrica.

Carregar a bateria

► **Utilize apenas os carregadores listados nos dados técnicos.** Só estes carregadores são apropriados para os baterias de lítio utilizadas para a sua ferramenta elétrica.

Nota: devido a normas de transporte internacionais, as baterias de lítio são fornecidas parcialmente carregadas. Para assegurar a completa potência da bateria, a bateria deverá ser carregada completamente antes da primeira utilização.

Colocar a bateria

Inserir a bateria carregada no respetivo encaixe, até que esta esteja engatada.

Retirar a bateria



Para retirar a bateria, pressione a respetiva tecla de desbloqueio e puxe a bateria para fora. **Não empregue força.**

A bateria possui 2 níveis de travamento, que devem evitar, que a bateria caia, caso a tecla de desbloqueio da bateria seja premida por acaso. Enquanto a bateria estiver dentro da ferramenta elétrica, ela é mantida em posição por uma mola.

Indicador do nível de carga da bateria na bateria

Nota: Nem todos os tipos de bateria dispõem de um indicador do nível de carga de bateria.

Os LEDs verdes do indicador do nível de carga da bateria indicam o nível de carga da bateria. Por motivos de segurança, a consulta do nível de carga só é possível com a ferramenta elétrica parada.

Prima a tecla para o indicador do nível de carga da bateria  ou  para visualizar o nível de carga. Isto também é possível com a bateria removida.

Se, depois de premir a tecla para o indicador do nível de carga da bateria, não se acender qualquer LED, a bateria tem defeito e tem de ser substituída.

Tipo de bateria GBA 18V...



LED	Capacidade
Luz permanente 3 × verde	60–100 %
Luz permanente 2 × verde	30–60 %
Luz permanente 1 × verde	5–30 %
Luz intermitente 1 × verde	0–5 %

Tipo de bateria ProCORE18V...



LED	Capacidade
Luz permanente 5 × verde	80–100 %
Luz permanente 4 × verde	60–80 %
Luz permanente 3 × verde	40–60 %
Luz permanente 2 × verde	20–40 %
Luz permanente 1 × verde	5–20 %
Luz intermitente 1 × verde	0–5 %

Indicador do nível de carga da bateria na ferramenta elétrica

O indicador do nível de carga da bateria na ferramenta elétrica assinala, com a ferramenta elétrica ligada, a autonomia da bateria ainda disponível ou uma sobrecarga.

LED	Capacidade
Luz permanente 3 × verde	60–100 %

LED	Capacidade
Luz permanente 2 × verde	30–60 %
Luz permanente 1 × verde	5–30 %
Luz intermitente 1 × verde	0–5 %

LED	Significado
Luz intermitente 3×	Proteção contra sobrecarga disparou
Luz intermitente LED do meio	Temperatura da bateria fora da faixa de temperatura de serviço e/ou proteção térmica da ferramenta elétrica disparou

Indicações sobre o manuseio ideal da bateria

Proteger a bateria contra humidade e água.

Armazene a bateria apenas na faixa de temperatura de -20 °C a 50 °C. Por exemplo, não deixe a bateria dentro do automóvel no verão.

Limpar de vez em quando as aberturas de ventilação da bateria com um pincel macio, limpo e seco.

Um tempo de funcionamento reduzido após o carregamento indica que a bateria está gasta e que deve ser substituída.

Observe as indicações sobre a eliminação de forma ecológica.

Montagem

► **A bateria deverá ser retirada antes de todos os trabalhos na ferramenta elétrica (p. ex. manutenção, troca de ferramenta etc.) e antes de transportar ou de armazenar a mesma.** Há perigo de ferimentos se o interruptor de ligar/desligar for acionado involuntariamente.

Seleção da lâmina de aplainar

A ferramenta elétrica pode estar equipada com diferentes lâminas de aplainar.

Através da montagem do adaptador (37) (acessórios) a ferramenta elétrica pode ser convertida de lâminas de aplainar HSS (18) para lâminas de aplainar HM/TC (23).

Trocar sempre ambas as lâminas de aplainar na substituição da lâmina, caso contrário cria-se um desequilíbrio nas vibrações, o que pode reduzir a durabilidade da ferramenta elétrica.

Substituição das lâminas de aplainar HSS

► **Cuidado ao trocar as lâminas de aplainar. Não segura as lâminas de aplainar nas arestas de corte.** Poderá ferir-se nos gumes afiados.

Desmontar as lâminas de aplainar (ver figuras A–C)

– Para substituir as lâminas de aplainar, rodar a ponta da lâmina (16), até que o mordente de aperto (15) fique paralelamente à sola de aplainar (11).

- Desapertar os 3 parafusos de fixação (14) com a chave de caixa de punho em T (13) e retirar o mordente de aperto (15).
- Retirar o arco de suporte (19) juntamente com a lâmina de aplainar (18) da ponta da lâmina (16) ou da ranhura de guia (17).
- Rodar a ponta da lâmina 180° e desmontar a 2.ª lâmina de aplainar.

Nota: Antes de substituir ou reafiar as lâminas de aplainar, retirar o arco de suporte (19) soltando o parafuso de fixação (20).

Reafiar as lâminas de aplainar HSS (ver figura D)

Usando o dispositivo de afiar (21) (acessórios) e uma pedra de afiar convencional é possível reafiar lâminas de aplainar HSS gastas ou rombas.

Colocar ambas as lâminas de aplainar no dispositivo de afiar e fixar as mesmas com o parafuso de orelhas. Certificar-se de que ambas as lâminas de aplainar são inseridas até ao batente.

Mover uniformemente as lâminas de aplainar inseridas no dispositivo de afiar e com ligeira pressão sobre a pedra de afiar.

Nota: As lâminas de aplainar podem ser reafiadas no máximo 6 mm numa largura mínima de 23 mm. Depois disso, têm de ser substituídas ambas as lâminas de aplainar.

Montar a lâmina de aplainar (ver figuras E–F)

Antes de voltar a colocar lâminas de aplainar novas ou reafiadas, limpar a ponta da lâmina (16) e, se necessário, a lâmina de aplainar (18) e o arco de suporte (19). Limpar lâminas de aplainar muito resinificadas com álcool desnaturalado ou petróleo.

Nota: Lâminas de aplainar novas ou reafiadas têm de ser sempre ajustadas para a altura certa antes de serem montadas.

Para ajustar a altura das lâminas de aplainar usar o calibre de regulação (22) (acessório). Coloque a lâmina de aplainar (18) e o arco de suporte (19) sobre o calibre de regulação. Certifique-se de que o arco de suporte (19) engata na ranhura prevista para esse fim. Pressione a lâmina de aplainar (18) contra o batente e fixe o arco de suporte (19) nesta posição com o parafuso de fixação (20). Desta forma é obtido automaticamente o ajuste de altura correto.

A lâmina de aplainar tem de ser montada e alinhada no **centro da sola de aplainar (11)**. Depois apertar os 3 parafusos de fixação (14) com a chave de caixa de punho em T (13). Respeitar a sequência de aperto (1) (2) (3) indicada no mordente de aperto (15).

Nota: Verificar antes da colocação em funcionamento o assento correto dos parafusos de fixação (14). Rodar manualmente a ponta da lâmina (16) e certificar-se de que as lâminas de aplainar não roçam em nenhum lado.

Substituição das lâminas de aplainar HM/TC

- **Cuidado ao trocar as lâminas de aplainar. Não segura as lâminas de aplainar nas arestas de corte.** Poderá ferir-se nos gumes afiados.

Utilize apenas lâminas de plainas HM/TC originais **Bosch**.

As lâminas de aplainar de metal duro (HM/TC) têm 2 gumes e podem ser viradas. Se ambas as arestas de corte estiverem rombas, as lâminas de aplainar (23) têm de ser substituídas. A lâmina de aplainar HM/TC não pode ser reafiada.

Desmontar as lâminas de aplainar (ver figura G–H)

- Para virar ou substituir as lâminas de aplainar, rodar a ponta da lâmina (16), até que o mordente de aperto (15) fique paralelamente à sola de aplainar (11).
- Desapertar os 3 parafusos de fixação (14) com a chave Torx (13) aprox. 1–2 voltas. Não é necessário retirar o mordente de aperto (15).
- Rodar um pouco a ponta da lâmina e empurrar com uma peça de madeira a lâmina de aplainar (23) lateralmente para fora da ponta da lâmina (16).
- Rodar a ponta da lâmina 180° e desmontar a 2.ª lâmina de aplainar.

Montar as lâminas de aplainar (ver figuras I–J)

A ranhura de guia da lâmina da plaina assegura sempre um ajuste uniforme da altura quando a lâmina da plaina é trocada ou virada.

Se necessário, limpar o assento da lâmina na ponta da lâmina (16) e a lâmina de aplainar (23).

Durante a montagem da lâmina de aplainar certificar-se de que a mesma assenta sem problemas na guia de suporte da ponta da lâmina (16).

A lâmina de aplainar tem de ser montada e alinhada no **centro da sola de aplainar (11)**. Depois apertar os 3 parafusos de fixação (14) com a chave Torx (13). Respeitar a sequência de aperto (①②③) indicada no mordente de aperto (15).

Nota: Verificar antes da colocação em funcionamento o assento correto dos parafusos de fixação (14). Rodar manualmente a ponta da lâmina (16) e certificar-se de que as lâminas de aplainar não roçam em nenhum lado.

Utilização de conjuntos de conversão

Conversão de HSS para HM/TC

Com um adaptador HM/TC, uma plaina com lâminas de aplainar HSS pode ser convertida para lâminas de aplainar HM/TC.

- Desapertar os 3 parafusos de fixação (14) com a chave Torx (13) e retirar o mordente de aperto (15).
- Retirar o arco de suporte (19) juntamente com a lâmina de aplainar (18) da ponta da lâmina (16) ou da ranhura de guia (17).
- Retirar os parafusos (20).
- Colocar o arco de suporte (19) e o adaptador (37) no calibre de regulação (22). O arco de suporte (19) tem de

encaixar na ranhura do calibre de regulação (ver figura S).

- Empurrar a lâmina de aplainar HM/TC (23) lateralmente no adaptador (37). A barra no adaptador (37) tem de encaixar na ranhura da lâmina de aplainar HM/TC (ver figura S).
- Apertar os parafusos (20).
- Colocar o arco de suporte (19) junto com o adaptador (37) na lâmina de aplainar (18) na ponta da lâmina (16) ou na ranhura de guia (17).
- Colocar o mordente de aperto (15) e apertar frouxamente os parafusos de fixação (14).
- A lâmina de aplainar tem de ser montada e alinhada no **centro da sola de aplainar (11)**. Depois apertar os 3 parafusos de fixação (14) com a chave Torx (13). Respeitar a sequência de aperto (①②③) indicada no mordente de aperto (15).

Conversão de HM/TC para HSS

As plainas equipadas com lâminas de aplainar HM/TC podem ser convertidas para lâminas de aplainar HSS.

- Desapertar os 3 parafusos de fixação (14) com a chave Torx (13) e retirar o mordente de aperto (15).
- Retirar o arco de suporte (19) juntamente com a lâmina de aplainar (18) ou o adaptador HM/TC (37) da ponta da lâmina (16).
- Retirar os parafusos (20).
- Montar a lâmina de aplainar HSS montada (ver "Montar a lâmina de aplainar (ver figuras E–F)", Página 28) e alinhar ao **centro da base da plaina (11)**.
- Colocar o mordente de aperto (15) e apertar os 3 parafusos de fixação (14) com a chave Torx (13). Respeitar a sequência de aperto (①②③) indicada no mordente de aperto (15).

Aspiração de pó/de aparas

Pós de materiais como por exemplo, tintas que contém chumbo, alguns tipos de madeira, minerais e metais, podem ser nocivos à saúde. O contacto ou a inalação dos pós pode provocar reações alérgicas e/ou doenças nas vias respiratórias do utilizador ou das pessoas que se encontrem por perto.

Certos pós, como por exemplo pó de carvalho e faia são considerados como sendo cancerígenos, especialmente quando juntos com substâncias para o tratamento de madeiras (cromato, produtos de proteção da madeira). Material que contém asbesto só deve ser processado por pessoal especializado.

- Se possível deverá usar um dispositivo de aspiração de pó apropriado para o material.
- Assegurar uma boa ventilação do local de trabalho.
- É recomendável usar uma máscara de proteção respiratória com filtro da classe P2.

Observe as diretivas para os materiais a serem processados, vigentes no seu país.

- **Evite a acumulação de pó no local de trabalho.** Pó podem entrar levemente em ignição.

Limpar a remoção de aparas (3) com regularidade. Usar uma ferramenta adequada para limpar uma expulsão de aparas entupida, p. ex. um pedaço de madeira, ar comprimido, etc.

- **Não insira as mãos na remoção de aparas.** Pode sofrer ferimentos nas peças em rotação.

Para garantir uma aspiração ideal, usar sempre um dispositivo de aspiração de terceiros ou um saco de pó/ aparas.

Aspiração externa (ver figura N)

Na remoção de aparas pode ser inserido de ambos os lados uma mangueira de aspiração (Ø 35 mm) (28) (acessórios).

Ligue a mangueira de aspiração (28) a um aspirador (acessório). Encontra um resumo da ligação aos diferentes aspiradores no final deste manual.

O aspirador de pó deve ser apropriado para o material a ser trabalhado.

Utilize um aspirador especial para aspirar pó que seja extremamente nocivo à saúde, cancerígeno ou seco.

Aspiração integrada (ver figura N)

No caso de trabalho mais pequenos, pode ligar um saco de pó/aparas (acessório) (29). Encaixe bem o bocal do saco do pó na remoção de aparas (3). Esvazie o saco de pó/aparas (29) atempadamente, para que a recolha do pó se mantenha sem problemas.

Remoção de aparas selecionável

Com a alavanca de conversão (10), a remoção de aparas (3) pode ser alterada para a direita ou para a esquerda.

Pressione a alavanca de conversão (10) sempre até engatar na posição final. O sentido de expulsão das aparas selecionado é indicado pelo símbolo de seta na alavanca de conversão (10).

Funcionamento

Colocação em funcionamento

Ajustar a profundidade de corte

Com o botão giratório (2) pode ser ajustada continuamente a profundidade do rebaixo desde 0–2,6 mm mediante a escala da profundidade do rebaixo (1) (gradação = 0,1 mm).

Ligar/desligar

- **Certifique-se de que consegue acionar o interruptor de ligar/desligar sem ter de soltar o punho.**

Para a **colocação em funcionamento** da ferramenta elétrica, acionar primeiro o bloqueio de ligação (4) e premir **de seguida** o interruptor de ligar/desligar (5) e manter premido.

Para **desligar** a ferramenta elétrica, liberte o interruptor de ligar/desligar (5).

Nota: Por motivos de segurança o interruptor de ligar/desligar (5) não pode ser travado, mas deve permanecer premido durante o funcionamento.

Instruções de trabalho

- **A bateria deverá ser retirada antes de todos os trabalhos na ferramenta elétrica (p. ex. manutenção, troca de ferramenta etc.) e antes de transportar ou de armazenar a mesma.** Há perigo de ferimentos se o interruptor de ligar/desligar for acionado involuntariamente.

Patim de descanso (ver figura O)

O patim de descanso (32) permite pousar a ferramenta elétrica diretamente depois do trabalho sem perigo de danificar a peça ou a lâmina de aplainar. Durante o trabalho, o patim de descanso (32) é oscilado para cima e a parte traseira da sola de aplainar (11) fic livre.

Nota: O patim de descanso (32) não pode ser desmontado.

Processo de aplainar (ver figura O)

Regule a espessura da aparas desejada e apoie a ferramenta elétrica com a parte da frente da sola de aplainar móvel (11) na peça.

- **Só conduzir a ferramenta elétrica no sentido da peça a ser trabalhada quando estiver ligada.** Caso contrário há risco de um contragolpe, se a ferramenta de aplicação se engancha na peça a ser trabalhada.

Ligar a ferramenta elétrica e passar a mesma com um avanço uniforme sobre a superfície a trabalhar.

Para obter superfícies de alta qualidade, deverá sempre trabalhar com avanço reduzido e exercer pressão sobre o ponto central da sola da plaina.

Para trabalhar materiais duros, p. ex. madeira de lei, assim como ao usufruir da largura máxima da plaina, deverá sempre ajustar reduzidas profundidades de corte e reduzir, se necessário, o avanço da plaina.

Um avanço excessivo reduz a qualidade da superfície e pode levar a uma rápida obstrução da expulsão de aparas.

Apenas lâminas de aplainar afiadas garantem um excelente rendimento de desbaste e a proteção da ferramenta elétrica.

O patim de descanso integrado (32) permite também a continuação da aplainação após interrupção no local desejado da peça:

- Colocar a ferramenta elétrica, com o patim de descanso virado para baixo, no local na peça para continuar a trabalhar.
- Ligar a ferramenta elétrica.
- Transferir a pressão de apoio para a base da plaina dianteira e empurrar a ferramenta elétrica lentamente para a frente (⬆). O patim de descanso é virado para cima (⬆), para que a parte de trás da base da plaina volte a encostar na peça.
- Deslizar a ferramenta elétrica com um avanço uniforme sobre a superfície a trabalhar (⬆).

Chanfrar arestas (ver figura P)

As ranhuras em V existentes na base da plaina dianteira permitem chanfrar de forma rápida e simples as arestas das peças. Usar a ranhura em V correspondente consoante a largura de fase desejada. Para tal deverá apoiar a plaina com a ranhura em forma de V sobre a aresta da peça a ser trabalhada e conduzi-la ao longo dela.

Ranhura desejada	Medida a (mm)
nenhum	0-2,5
pequeno	1,5-4,0
média	2,0-4,5
grande	3,0-5,5

Aplainar com guia paralela (ver figuras K-M)

Montar o guia paralela (24) com o parafuso de fixação (27) na ferramenta elétrica. Montar consoante a aplicação o limitador de profundidade do rebaixo (31) com o parafuso de fixação (30) na ferramenta elétrica.

Soltar a porca de fixação (26) e ajustar a largura do entalhe desejada na escala (25). Voltar a apertar a porca de fixação (26).

Voltar a ajustar a profundidade do rebaixo desejada com o limitador (31).

Executar repetidamente o processo de aplainar até obter a profundidade de ensabladura desejada. Conduzir a plaina com uma pressão lateral.

Manutenção e assistência técnica**Manutenção e limpeza**

- ▶ **A bateria deverá ser retirada antes de todos os trabalhos na ferramenta elétrica (p. ex. manutenção, troca de ferramenta etc.) e antes de transportar ou de armazenar a mesma.** Há perigo de ferimentos se o interruptor de ligar/desligar for acionado involuntariamente.
- ▶ **Manter a ferramenta elétrica e as aberturas de ventilação sempre limpas, para trabalhar bem e de forma segura.**

Manter o patim de descanso (32) livre e limpá-lo com regularidade.

A ferramenta elétrica desliga-se se as escovas de carvão estiverem gastas. A ferramenta elétrica deve ser enviada ao serviço pós-venda. Os endereços encontram-se na secção "Serviço pós-venda e aconselhamento".

Trocar correia de acionamento (ver figuras Q-R)

Desenroscar totalmente o parafuso (8) e retirar a cobertura da correia (9). Retirar a correia de acionamento gasta (33). Antes de montar a correia de acionamento nova, limpar (33) rodas da correia (34) e (35).

Colocar primeiro a nova correia de acionamento na (33) roda pequena (35) e depois pressionar a correia de acionamento (33) rodando manualmente a roda grande (34).

Certificar-se de que a correia de acionamento (33) se desloca precisamente no sulco longitudinal das rodas da correia (34) ou (35).

Colocar a cobertura da correia (9) e apertar o parafuso (8).

Serviço pós-venda e aconselhamento

O serviço pós-venda responde às suas perguntas a respeito de serviços de reparação e de manutenção do seu produto, assim como das peças sobressalentes. Desenhos explodidos e informações acerca das peças sobressalentes também em: www.bosch-pt.com

A nossa equipa de consultores Bosch esclarece com prazer todas as suas dúvidas a respeito dos nossos produtos e acessórios.

Indique para todas as questões e encomendas de peças sobressalentes a referência de 10 dígitos de acordo com a placa de características do produto.

Brasil

Robert Bosch Ltda. – Divisão de Ferramentas Elétricas
Rodovia Anhanguera, Km 98 - Parque Via Norte
13065-900, CP 1195
Campinas, São Paulo
Tel.: 0800 7045 446
www.bosch.com.br/contato

Encontra outros endereços da assistência técnica em:

www.bosch-pt.com/serviceaddresses

Transporte

As baterias de íões de lítio recomendadas estão sujeitas ao direito de materiais perigosos. As baterias podem ser transportadas na rua pelo utilizador, sem mais obrigações.

Na expedição por terceiros (por ex. transporte aéreo ou expedição), devem ser observadas as especiais exigências quanto à embalagem e à designação. Neste caso é necessário consultar um especialista de materiais perigosos ao preparar a peça a ser trabalhada.

Só enviar baterias se a carcaça não estiver danificada. Colar contactos abertos e embalar a bateria de modo que não possa se movimentar dentro da embalagem. Por favor observe também eventuais diretivas nacionais suplementares.

Eliminação

As ferramentas elétricas, as baterias, os acessórios e as embalagens devem ser enviados a uma reciclagem ecológica de matéria prima.

Não deitar ferramentas elétricas e baterias/pilhas no lixo doméstico!

**Baterias/pilhas:****Lítio:**

Observar as indicações no capítulo Transporte (ver "Transporte", Página 31).

Español

Indicaciones de seguridad

Indicaciones generales de seguridad para herramientas eléctricas

⚠️ ADVERTENCIA Lea íntegramente las advertencias de peligro, las instrucciones, las ilustraciones y las especificaciones entregadas con esta herramienta eléctrica. En caso de no atenerse a las instrucciones siguientes, ello puede ocasionar una descarga eléctrica, un incendio y/o una lesión grave.

Guardar todas las advertencias de peligro e instrucciones para futuras consultas.

El término "herramienta eléctrica" empleado en las siguientes advertencias de peligro se refiere a herramientas eléctricas de conexión a la red (con cable de red) y a herramientas eléctricas accionadas por acumulador (sin cable de red).

Seguridad del puesto de trabajo

- ▶ **Mantenga el área de trabajo limpia y bien iluminada.** Las áreas desordenadas u oscuras pueden provocar accidentes.
- ▶ **No utilice herramientas eléctricas en un entorno con peligro de explosión, en el que se encuentren combustibles líquidos, gases o material en polvo.** Las herramientas eléctricas producen chispas que pueden llegar a inflamar los materiales en polvo o vapores.
- ▶ **Mantenga alejados a los niños y otras personas de su puesto de trabajo al emplear la herramienta eléctrica.** Una distracción le puede hacer perder el control sobre la herramienta eléctrica.

Seguridad eléctrica

- ▶ **El enchufe de la herramienta eléctrica debe corresponder a la toma de corriente utilizada. No es admisible modificar el enchufe en forma alguna. No emplear adaptadores en herramientas eléctricas dotadas con una toma de tierra.** Los enchufes sin modificar adecuados a las respectivas tomas de corriente reducen el riesgo de una descarga eléctrica.
- ▶ **Evite que su cuerpo toque partes conectadas a tierra como tuberías, radiadores, cocinas y refrigeradores.** El riesgo a quedar expuesto a una sacudida eléctrica es mayor si su cuerpo tiene contacto con tierra.
- ▶ **No esponga la herramienta eléctrica a la lluvia o a condiciones húmedas.** Existe el peligro de recibir una descarga eléctrica si penetran ciertos líquidos en la herramienta eléctrica.
- ▶ **No abuse del cable de red. No utilice el cable de red para transportar o colgar la herramienta eléctrica, ni tire de él para sacar el enchufe de la toma de corriente. Mantenga el cable de red alejado del calor, aceite, esquinas cortantes o piezas móviles.** Los cables de red

dañados o enredados pueden provocar una descarga eléctrica.

- ▶ **Al trabajar con la herramienta eléctrica a la intemperie utilice solamente cables de prolongación apropiados para su uso al aire libre.** La utilización de un cable de prolongación adecuado para su uso en exteriores reduce el riesgo de una descarga eléctrica.
- ▶ **Si fuese imprescindible utilizar la herramienta eléctrica en un entorno húmedo, es necesario conectarla a través de un dispositivo de corriente residual (RCD) de seguridad (fusible diferencial).** La aplicación de un fusible diferencial reduce el riesgo a exponerse a una descarga eléctrica.

Seguridad de personas

- ▶ **Esté atento a lo que hace y emplee sentido común cuando utilice una herramienta eléctrica. No utilice la herramienta eléctrica si estuviese cansado, ni tampoco después de haber consumido drogas, alcohol o medicamentos.** El no estar atento durante el uso de la herramienta eléctrica puede provocarle serias lesiones.
- ▶ **Utilice un equipo de protección personal. Utilice siempre una protección para los ojos.** El riesgo a lesionarse se reduce considerablemente si se utiliza un equipo de protección adecuado como una mascarilla antipolvo, zapatos de seguridad con suela antideslizante, casco, o protectores auditivos.
- ▶ **Evite una puesta en marcha involuntaria. Asegurarse de que la herramienta eléctrica esté desconectada antes de conectarla a la toma de corriente y/o al montar el acumulador, al recogerla y al transportarla.** Si transporta la herramienta eléctrica sujetándola por el interruptor de conexión/desconexión, o si alimenta la herramienta eléctrica estando ésta conectada, ello puede dar lugar a un accidente.
- ▶ **Retire las herramientas de ajuste o llaves fijas antes de conectar la herramienta eléctrica.** Una herramienta de ajuste o llave fija colocada en una pieza rotante puede producir lesiones al poner a funcionar la herramienta eléctrica.
- ▶ **Evite posturas arriesgadas. Trabaje sobre una base firme y mantenga el equilibrio en todo momento.** Ello le permitirá controlar mejor la herramienta eléctrica en caso de presentarse una situación inesperada.
- ▶ **Lleve puesta una vestimenta de trabajo adecuada. No utilice vestimenta amplia ni joyas. Mantenga su pelo y vestimenta alejados de las piezas móviles.** La vestimenta suelta, el pelo largo y las joyas se pueden enganchar con las piezas en movimiento.
- ▶ **Si se proporcionan dispositivos para la conexión de las instalaciones de extracción y recogida de polvo, asegúrese que éstos estén conectados y que sean utilizados correctamente.** El empleo de estos equipos reduce los riesgos derivados del polvo.
- ▶ **No permita que la familiaridad ganada por el uso frecuente de herramientas eléctricas lo deje caer en la complacencia e ignorar las normas de seguridad de**

herramientas. Una acción negligente puede causar lesiones graves en una fracción de segundo.

Uso y trato cuidadoso de herramientas eléctricas

- ▶ **No sobrecargue la herramienta eléctrica. Utilice la herramienta eléctrica adecuada para su aplicación.** Con la herramienta eléctrica adecuada podrá trabajar mejor y más seguro dentro del margen de potencia indicado.
- ▶ **No utilice la herramienta eléctrica si el interruptor está defectuoso.** Las herramientas eléctricas que no se puedan conectar o desconectar son peligrosas y deben hacerse reparar.
- ▶ **Saque el enchufe de la red y/o retire el acumulador desmontable de la herramienta eléctrica, antes de realizar un ajuste, cambiar de accesorio o al guardar la herramienta eléctrica.** Esta medida preventiva reduce el riesgo a conectar accidentalmente la herramienta eléctrica.
- ▶ **Guarde las herramientas eléctricas fuera del alcance de los niños. No permita la utilización de la herramienta eléctrica a aquellas personas que no estén familiarizadas con su uso o que no hayan leído estas instrucciones.** Las herramientas eléctricas utilizadas por personas inexpertas son peligrosas.
- ▶ **Cuide las herramientas eléctricas y los accesorios. Controle la alineación de las piezas móviles, rotura de piezas y cualquier otra condición que pudiera afectar el funcionamiento de la herramienta eléctrica. En caso de daño, la herramienta eléctrica debe repararse antes de su uso.** Muchos de los accidentes se deben a herramientas eléctricas con un mantenimiento deficiente.
- ▶ **Mantenga los útiles limpios y afilados.** Los útiles mantenidos correctamente se dejan guiar y controlar mejor.
- ▶ **Utilice la herramienta eléctrica, los accesorios, los útiles, etc. de acuerdo a estas instrucciones, considerando en ello las condiciones de trabajo y la tarea a realizar.** El uso de herramientas eléctricas para trabajos diferentes de aquellos para los que han sido concebidas puede resultar peligroso.
- ▶ **Mantenga las empuñaduras y las superficies de las empuñaduras secas, limpias y libres de aceite y grasa.** Las empuñaduras y las superficies de las empuñaduras resbaladizas no permiten un manejo y control seguro de la herramienta eléctrica en situaciones imprevistas.

Trato y uso cuidadoso de herramientas accionadas por acumulador

- ▶ **Solamente recargar los acumuladores con los cargadores especificados por el fabricante.** Existe un riesgo de incendio al intentar cargar acumuladores de un tipo diferente al previsto para el cargador.
- ▶ **Utilice las herramientas eléctricas sólo con los acumuladores específicamente designados.** El uso de otro tipo de acumuladores puede provocar daños e incluso un incendio.
- ▶ **Si no utiliza el acumulador, guárdelo separado de objetos metálicos, como clips de papel, monedas, llaves, clavos, tornillos u otros objetos metálicos pequeños**

que pudieran puentear sus contactos. El cortocircuito de los contactos del acumulador puede causar quemaduras o un incendio.

- ▶ **La utilización inadecuada del acumulador puede provocar fugas de líquido. Evite el contacto con él. En caso de un contacto accidental, enjuagar el área afectada con abundante agua. En caso de un contacto con los ojos, recurra además inmediatamente a ayuda médica.** El líquido del acumulador puede irritar la piel o producir quemaduras.
- ▶ **No emplee acumuladores o útiles dañados o modificados.** Los acumuladores dañados o modificados pueden comportarse en forma imprevisible y producir un fuego, explosión o peligro de lesión.
- ▶ **No exponga un paquete de baterías o una herramienta eléctrica al fuego o a una temperatura demasiado alta.** La exposición al fuego o a temperaturas sobre 130 °C puede causar una explosión.
- ▶ **Siga todas las instrucciones para la carga y no cargue nunca el acumulador o la herramienta eléctrica a una temperatura fuera del margen correspondiente especificado en las instrucciones.** Una carga inadecuada o a temperaturas fuera del margen especificado puede dañar el acumulador y aumentar el riesgo de incendio.

Servicio

- ▶ **Únicamente deje reparar su herramienta eléctrica por un experto cualificado, empleando exclusivamente piezas de repuesto originales.** Solamente así se mantiene la seguridad de la herramienta eléctrica.
- ▶ **No repare los acumuladores dañados.** El mantenimiento de los acumuladores sólo debe ser realizado por el fabricante o un servicio técnico autorizado.

Instrucciones de seguridad para cepillos

- ▶ **Espere a que el útil de corte se detenga antes de depositar la herramienta.** Un útil de corte en rotación expuesto puede atacar la superficie de apoyo conduciendo a una posible pérdida de control y lesiones graves.
- ▶ **Utilice mordazas u otra forma práctica de asegurar y apoyar la pieza de trabajo en una plataforma estable.** La sujeción de la pieza de trabajo con su mano o contra el cuerpo la deja inestable y puede conducir a la pérdida de control.
- ▶ **Solamente aproxime la herramienta eléctrica en funcionamiento contra la pieza de trabajo.** En caso contrario puede que retroceda bruscamente el aparato al engancharse el útil en la pieza de trabajo.
- ▶ **No acerque sus manos a la expulsión de la viruta.** Usted puede sufrir lesiones en las partes rotatorias.
- ▶ **No cepille nunca sobre objetos de metal, clavos o tornillos.** Ello podría dañar la cuchilla y el portacuchillas y ocasionar unas vibraciones excesivas.
- ▶ **Utilice unos aparatos de exploración adecuados para detectar conductores o tuberías ocultas, o consulte a sus compañías abastecedoras.** El contacto con conductores eléctricos puede provocar un incendio o una elec-

trocución. Al dañar una tubería de gas puede producirse una explosión. La perforación de una tubería de agua puede causar daños materiales.

- ▶ **Durante el trabajo, sostenga el cepillo siempre de tal manera que la superficie inferior del cepillo quede apoyada de forma plana sobre la pieza de trabajo.** En caso contrario podría ladearse el cepillo y lesionarle.
- ▶ **En caso de daño y uso inapropiado del acumulador pueden emanar vapores. El acumulador se puede quemar o explotar.** En tal caso, busque un entorno con aire fresco y acuda a un médico si nota molestias. Los vapores pueden llegar a irritar las vías respiratorias.
- ▶ **No intente abrir el acumulador.** Podría provocar un cortocircuito.
- ▶ **Mediante objetos puntiagudos, como p. ej. clavos o destornilladores, o por influjo de fuerza exterior se puede dañar el acumulador.** Se puede generar un cortocircuito interno y el acumulador puede arder, humear, explotar o sobrecalentarse.
- ▶ **Utilice el acumulador únicamente en productos del fabricante.** Solamente así queda protegido el acumulador contra una sobrecarga peligrosa.



Proteja la batería del calor excesivo, además de, p. ej., una exposición prolongada al sol, la suciedad, el fuego, el agua o la humedad.



Existe riesgo de explosión y cortocircuito.

- ▶ **Durante el trabajo, sostenga firmemente la herramienta eléctrica con ambas manos y cuide una posición segura.** Utilizando ambas manos la herramienta eléctrica es guiada de forma más segura.

Descripción del producto y servicio



Lea íntegramente estas indicaciones de seguridad e instrucciones. Las faltas de observación de las indicaciones de seguridad y de las instrucciones pueden causar descargas eléctricas, incendios y/o lesiones graves.

Por favor, observe las ilustraciones en la parte inicial de las instrucciones de servicio.

Uso previsto

La herramienta eléctrica ha sido diseñada para cepillar sobre una base firme piezas de madera como, p. ej., vigas y tablas. Además, es adecuada para biselar bordes y cepillar rebajes.

Componentes principales

La numeración de los componentes representados se refiere a la imagen de la herramienta eléctrica en la página ilustrada.

- (1) Escala para ajuste del grosor de viruta
- (2) Botón giratorio para ajuste del grosor de viruta (zona de agarre aislada)
- (3) Expulsor de virutas (opcional izquierda/derecha)

- (4) Bloqueo de conexión para interruptor de conexión/desconexión
- (5) Interruptor de conexión/desconexión
- (6) Batería^{a)}
- (7) Tecla de extracción de la batería^{a)}
- (8) Tornillo para cubierta de la correa
- (9) Cubierta de la correa
- (10) Palanca selectora del lado de expulsión de virutas
- (11) Base del cepillo
- (12) Ranuras en V
- (13) Llave tubular con empuñadura en T/llave Torx
- (14) Tornillo de fijación para mordaza presora
- (15) Mordaza
- (16) Cabezal portacuchillas
- (17) Ranura guía de la cuchilla
- (18) Cuchilla HSS
- (19) Ángulo de fijación de cuchilla HSS
- (20) Tornillo de sujeción del ángulo de fijación de cuchilla HSS
- (21) Dispositivo para afilado de cuchillas HSS
- (22) Plantilla para ajuste de cuchillas HSS
- (23) Cuchilla HM/TC^{a)}
- (24) Tope paralelo
- (25) Escala para anchura de rebaje
- (26) Tuerca de sujeción para ajuste de la anchura de rebaje
- (27) Tornillo de fijación para tope paralelo
- (28) Manguera de aspiración (∅ 35 mm)^{a)}
- (29) Saco para polvo/virutas^{a)}
- (30) Tornillo de sujeción de tope de profundidad para rebajes^{a)}
- (31) Tope de profundidad para rebajes^{a)}
- (32) Soporte de apoyo
- (33) Correa motriz
- (34) Polea grande
- (35) Polea pequeña
- (36) Empuñadura (superficie de empuñadura aislada)
- (37) Adaptador para transformar cuchillas de cepillo HSS en cuchillas de cepillo TC^{a)}
- (38) Indicador del estado de carga del acumulador en la herramienta eléctrica

a) **Los accesorios descritos e ilustrados no corresponden al material que se adjunta de serie. La gama completa de accesorios opcionales se detalla en nuestro programa de accesorios.**

Datos técnicos

Cepillo	GHO 185-LI
Número de artículo	3 601 EB5 0..

Cepillo	GHO 185-LI	
Tensión nominal	V _~	18
Velocidad de giro en vacío ^{A)}	min ⁻¹	14000
Grosor de viruta	mm	0–2,6
Profundidad de rebaje	mm	0–9
Máx. anchura de cepillado	mm	82
Peso según EPTA-Proce- dure 01:2014 ^{B)}	kg	2,6–3,7
Temperatura ambiente reco- mendada durante la carga	°C	0 ... +35
Temperatura ambiente permiti- da durante el funcionamiento ^{C)} y el almacenamiento	°C	-20 ... +50
Baterías recomendadas	GBA 18V... ProCORE18V...	
Cargadores recomendados	GAL 18... GAX 18... GAL 36...	

A) Medido a 20–25 °C con acumulador **GBA 18V 4.0Ah**.

B) depende de la batería utilizada

C) Potencia limitada a temperaturas < 0 °C

Los valores pueden variar dependiendo del producto y están sujetos a la aplicación y a las condiciones medioambientales. Más información en www.bosch-professional.com/wac.

Información sobre ruidos y vibraciones

Valores de emisión de ruidos determinados según **EN 62841-2-14**.

El nivel de ruidos valorado con A de la herramienta eléctrica asciende típicamente a: nivel de presión acústica **91 dB(A)**; nivel de potencia acústica **99 dB(A)**. Inseguridad K = **3 dB**.

¡Llevar orejeras!

Valores totales de vibraciones a_h (suma de vectores de tres direcciones) e inseguridad K determinados según

EN 62841-2-14:

$$a_h = 3,5 \text{ m/s}^2, K = 1,5 \text{ m/s}^2.$$

El nivel de vibraciones y el valor de emisiones de ruidos indicados en estas instrucciones han sido determinados según un procedimiento de medición normalizado y pueden servir como base de comparación con otras herramientas eléctricas. También son adecuados para estimar provisionalmente la emisión de vibraciones y ruidos.

El nivel de vibraciones y el valor de emisiones de ruidos indicados han sido determinados para las aplicaciones principales de la herramienta eléctrica. Por ello, el nivel de vibraciones y el valor de emisiones de ruidos pueden ser diferentes si la herramienta eléctrica se utiliza para otras aplicaciones, con útiles diferentes, o si el mantenimiento de la misma fue deficiente. Ello puede suponer un aumento drástico de la emisión de vibraciones y de ruidos durante el tiempo total de trabajo.

Para determinar con exactitud las emisiones de vibraciones y de ruidos, es necesario considerar también aquellos tiempos en los que el aparato esté desconectado, o bien, esté en funcionamiento, pero sin ser utilizado realmente. Ello puede

suponer una disminución drástica de las emisiones de vibraciones y de ruidos durante el tiempo total de trabajo.

Fije unas medidas de seguridad adicionales para proteger al usuario de los efectos por vibraciones, como por ejemplo: Mantenimiento de la herramienta eléctrica y de los útiles, conservar calientes las manos, organización de las secuencias de trabajo.

Acumulador

Bosch también vende herramientas eléctricas accionadas por acumulador sin acumulador. En el embalaje puede ver si un acumulador está incluido en el volumen de suministro de su herramienta eléctrica.

Carga del acumulador

► **Utilice únicamente los cargadores que se enumeran en los datos técnicos.** Solamente estos cargadores han sido especialmente adaptados a los acumuladores de iones de litio empleados en su herramienta eléctrica.

Indicación: Los acumuladores de iones de litio se entregan parcialmente cargados debido a la normativa de transporte internacional. Con el fin de obtener la plena potencia del acumulador, cargue completamente el acumulador antes de su primer uso.

Montaje del acumulador

Desplace el acumulador cargado en el alojamiento del acumulador, hasta que encastre perceptible.

Desmontaje del acumulador


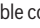
Para la extracción del acumulador, presione la tecla de desenclavamiento y retire el acumulador. **No proceda con brusquedad.**

El acumulador dispone de 2 etapas de enclavamiento para evitar que se salga en el caso de un accionamiento accidental de la tecla de desenclavamiento del acumulador. Mientras la batería esté montada en la herramienta eléctrica, permanecerá retenida en su posición mediante un resorte.

Indicador del estado de carga del acumulador en el acumulador

Indicación: No cada tipo de acumulador dispone de un indicador de estado de carga.

Los LEDs verdes del indicador del estado de carga del acumulador indican el estado de carga del acumulador. Por motivos de seguridad, la consulta del estado de carga es solo posible con la herramienta eléctrica parada.

Presione la tecla del indicador de estado de carga  o , para indicar el estado de carga. Esto también es posible con el acumulador desmontado.

Si tras presionar la tecla del indicador de estado de carga no se enciende ningún LED, significa que el acumulador está defectuoso y debe sustituirse.

Tipo de acumulador GBA 18V...

Diodo luminoso (LED)	Capacidad
Luz permanente 3 × verde	60–100 %
Luz permanente 2 × verde	30–60 %
Luz permanente 1 × verde	5–30 %
Luz intermitente 1 × verde	0–5 %

Tipo de acumulador ProCORE18V...

Diodo luminoso (LED)	Capacidad
Luz permanente 5 × verde	80–100 %
Luz permanente 4 × verde	60–80 %
Luz permanente 3 × verde	40–60 %
Luz permanente 2 × verde	20–40 %
Luz permanente 1 × verde	5–20 %
Luz intermitente 1 × verde	0–5 %

Indicador del estado de carga del acumulador de la herramienta eléctrica

Con la herramienta eléctrica conectada, el indicador de estado de carga del acumulador en la herramienta eléctrica señala la capacidad restante disponible del acumulador o una sobrecarga.

Diodo luminoso (LED)	Capacidad
Luz permanente 3 × verde	60–100 %
Luz permanente 2 × verde	30–60 %
Luz permanente 1 × verde	5–30 %
Luz intermitente 1 × verde	0–5 %

Diodo luminoso (LED)	Significado
Luz intermitente 3 ×	Se ha activado la protección contra sobrecarga
Luz intermitente LED central	Temperatura del acumulador fuera del margen de temperatura de funcionamiento y/o se ha activado la protección térmica de la herramienta eléctrica

Indicaciones para el trato óptimo del acumulador

Proteja el acumulador de la humedad y del agua.

Únicamente almacene el acumulador en el margen de temperatura desde -20 °C hasta 50 °C. P. ej., no deje el acumulador en el coche en verano.

Limpie de vez en cuando las rejillas de refrigeración del acumulador con un pincel suave, limpio y seco.

Si después de una recarga, el tiempo de funcionamiento del acumulador fuese muy reducido, ello es señal de que éste está agotado y deberá sustituirse.

Observe las indicaciones referentes a la eliminación.

Montaje

► **Desmonte el acumulador antes de manipular la herramienta eléctrica (p. ej. en el mantenimiento, cambio de útil, etc.) así como al transportarla y guardarla.** En caso contrario podría accidentarse al accionar fortuitamente el interruptor de conexión/desconexión.

Selección de la cuchilla

La herramienta eléctrica puede venir equipada con diferentes cuchillas.

Mediante el montaje del adaptador (37) (accesorio), la herramienta eléctrica se puede transformar de cuchilla de cepillo HSS (18) en cuchilla de cepillo HM/TC (23).

Siempre cambie ambas cuchillas a la vez para evitar que se puedan generar vibraciones debido a un desequilibrio, lo cual mermaría la vida útil de la herramienta eléctrica.

Cambio de las cuchillas HSS

► **Tenga cuidado al cambiar la cuchilla del cepillo. No sujete la cuchilla del cepillo por las aristas de corte.** Podría lesionarse con las aristas de corte afiladas.

Desmontaje de cuchillas del cepillo (ver figuras A–C)

- Para sustituir las cuchillas del cepillo, gire el rodillo portacuchillas (16), hasta que la mordaza presora (15) quede paralela a la base del cepillo (11).
- Desenrosque los 3 tornillos de fijación (14) con la llave tubular con empuñadura en T (13) y quite la mordaza presora (15).
- Empuje el estribo de sujeción (19) junto con la cuchilla del cepillo (18) fuera del rodillo portacuchillas (16) o bien de la ranura guía (17).
- Gire el rodillo portacuchillas en 180° y desmonte la 2.ª cuchilla del cepillo.

Indicación: Antes de reemplazar o volver a afilar las cuchillas del cepillo, retire el estribo de sujeción (19) soltando el tornillo de fijación (20).

Reafilado de cuchillas HSS (ver figura D)

Utilizando el dispositivo para afilado (21) (accesorio) y una piedra de amolar corriente en el comercio puede reafilar cuchillas HSS desgastadas o sin filo.

Inserte ambas cuchillas en el dispositivo de afilar y sujételas con el tornillo de mariposa. Preste atención a haber introducido hasta el tope ambas cuchillas.

Deslice uniformemente sobre la piedra de afilar el dispositivo de afilar con las cuchillas montadas, ejerciendo una ligera presión.

Indicación: Las cuchillas se pueden reafilar como máximo 6 mm en un ancho mínimo de 23 mm. A continuación deberán sustituirse ambas cuchillas.

Montaje de las cuchillas (ver figuras E–F)

Antes de volver a colocar las cuchillas nuevas o reafiladas, limpiar el rodillo portacuchillas (16) y, en caso dado, la cuchilla (18) y el estribo de sujeción (19). Si a las cuchillas se ha adherido resina, límpielas con alcohol o petróleo.

Indicación: Las cuchillas nuevas o reafiladas se deben ajustar siempre antes del montaje al correcto ajuste de la altura. Para el ajuste de la altura sirve el calibre de ajuste (22) (accesorio). Coloque la cuchilla (18) y el estribo de sujeción (19) sobre el calibre de ajuste. Preste atención a que el estribo de sujeción (19) encaje en la ranura prevista correspondiente. Presione la cuchilla (18) contra el tope y fije el estribo de sujeción (19) en esta posición con el tornillo de fijación (20). De esta manera se consigue automáticamente un ajuste de altura correcto.

La cuchilla se debe montar y alinear **en el centro de la base del cepillo (11)**. A continuación, apriete los 3 tornillos de fijación (14) con la llave tubular con empuñadura en T (13). Observe en ello el orden de apriete (①②③) indicado en la mordaza presora (15).

Indicación: Antes de la puesta en servicio, compruebe el asiento firme de los tornillos de fijación (14). Gire el rodillo portacuchillas (16) con la mano y asegúrese de que la cuchilla del cepillo no roce por ninguna parte.

Cambio de las cuchillas HM/TC

► **Tenga cuidado al cambiar la cuchilla del cepillo. No sujete la cuchilla del cepillo por las aristas de corte.** Podría lesionarse con las aristas de corte afiladas.

Solamente utilice cuchillas HM/TC originales **Bosch**.

Las cuchillas de metal duro (HM/TC), por ser reversibles, disponen de 2 filos. Si las dos aristas de corte han perdido el filo, deberán sustituirse las cuchillas del cepillo (23). Las cuchillas HM/TC no deberán reafilarse.

Desmontaje de cuchillas del cepillo (ver figuras G–H)

- Para invertir o sustituir las cuchillas del cepillo, gire el rodillo portacuchillas (16), hasta que la mordaza presora (15) quede paralela a la base del cepillo (11).
- Afloje los 3 tornillos de fijación (14) con la llave macho Torx (13) aprox. 1–2 vueltas. La mordaza presora (15) no se necesita quitar.
- Gire un poco el rodillo portacuchillas y, con una pieza de madera, empuje la cuchilla (23) lateralmente fuera del rodillo portacuchillas (16).
- Gire el rodillo portacuchillas en 180° y desmonte la 2.ª cuchilla del cepillo.

Montaje de las cuchillas (ver figuras I–J)

La ranura guía que llevan las cuchillas garantiza un ajuste de altura uniforme al cambiar o darle la vuelta a las mismas.

En caso necesario, limpie el asiento de la cuchilla en el rodillo portacuchillas (16) y la cuchilla del cepillo (23).

En el montaje de la cuchilla, asegúrese de que se asiente perfectamente en la guía de recepción del rodillo portacuchillas (16).

La cuchilla se debe montar y alinear **en el centro de la base del cepillo (11)**. A continuación, apriete los 3 tornillos de fijación (14) con la llave macho Torx (13). Observe en ello el orden de apriete (①②③) indicado en la mordaza presora (15).

Indicación: Antes de la puesta en servicio, compruebe el asiento firme de los tornillos de fijación (14). Gire el rodillo portacuchillas (16) con la mano y asegúrese de que la cuchilla del cepillo no roce por ninguna parte.

Aplicación de kits de transformación

Transformación de HSS a HM/TC

Con el adaptador HM/TC, un cepillo equipado con cuchillas HSS se puede transformar con cuchillas HM/TC.

- Desenrosque los 3 tornillos de fijación (14) con la llave macho Torx (13) y quite la mordaza presora (15).
- Empuje el estribo de sujeción (19) junto con la cuchilla del cepillo (18) fuera del rodillo portacuchillas (16) o bien de la ranura guía (17).
- Retire los tornillos (20).
- Coloque el estribo de sujeción (19) y el adaptador (37) en el calibre de ajuste (22). El estribo de sujeción (19) debe encastrar en la ranura en el calibre de ajuste (ver figura S).
- Deslice la cuchilla HM/TC (23) lateralmente en el adaptador (37). El listón del adaptador (37) debe encajar en ello en la ranura en la cuchilla HM/TC (ver figura S).
- Apriete firmemente los tornillos (20).
- Coloque el estribo de sujeción (19) junto con el adaptador (37) y la cuchilla (18) en el rodillo portacuchillas (16) o en la ranura guía (17).
- Aplique la mordaza presora (15) y enrosque levemente los tornillos de fijación (14).
- La cuchilla se debe montar y alinear **en el centro de la base del cepillo (11)**. A continuación, apriete los 3 tornillos de fijación (14) con la llave macho Torx (13). Observe en ello el orden de apriete (①②③) indicado en la mordaza presora (15).

Transformación de HM/TC a HSS

Los cepillos equipados con cuchillas HM/TC pueden reequiparse con cuchillas HSS.

- Desenrosque los 3 tornillos de fijación (14) con la llave macho Torx (13) y quite la mordaza presora (15).
- Empuje el estribo de sujeción (19) junto con la cuchilla (18) o bien el adaptador HM/TC (37) fuera del rodillo portacuchillas (16).
- Retire los tornillos (20).
- Monte la cuchilla HSS (ver "Montaje de las cuchillas (ver figuras E–F)", Página 37) armada e instálela **en el centro de la base del cepillo (11)**.
- Coloque la mordaza presora (15) y enrosque firmemente los 3 tornillos de fijación (14) con la llave macho Torx (13). Observe en ello el orden de apriete (①②③) indicado en la mordaza presora (15).

Aspiración de polvo y virutas

El polvo de ciertos materiales como, pinturas que contengan plomo, ciertos tipos de madera y algunos minerales y metales, puede ser nocivo para la salud. El contacto y la inspiración de estos polvos pueden provocar en el usuario o en las personas circundantes reacciones alérgicas y/o enfermedades respiratorias.

Ciertos polvos como los de roble, encina y haya son considerados como cancerígenos, especialmente en combinación con los aditivos para el tratamiento de la madera (cromatos, conservantes de la madera). Los materiales que contengan amianto solamente deberán ser procesados por especialistas.

- A ser posible utilice un equipo para aspiración de polvo apropiado para el material a trabajar.
- Observe que esté bien ventilado el puesto de trabajo.
- Se recomienda una mascarilla protectora con un filtro de la clase P2.

Observe las prescripciones vigentes en su país sobre los materiales a trabajar.

► Evite acumulaciones de polvo en el puesto de trabajo.

Los materiales en polvo se pueden inflamar fácilmente.

Limpie con regularidad el expulsor de virutas (3). Utilice una herramienta adecuada para la limpieza de un expulsor de virutas obturado, p. ej. un pedazo de madera, aire comprimido, etc.

► No acerque sus manos a la expulsión de la viruta. Usted puede sufrir lesiones en las partes rotatorias.

Para garantizar una aspiración óptima, utilice siempre un equipo de aspiración externo o un saco colector de polvo y virutas.

Aspiración externa (vea la figura N)

Es posible acoplar un tubo de aspiración (Ø 35 mm) (28) (accesorio) a ambos lados del expulsor de virutas.

Conecte el tubo de aspiración (28) a un aspirador (accesorio). Encontrará un resumen de las conexiones a distintas aspiradoras al final de estas instrucciones.

El aspirador debe ser adecuado para el material con el que se va a trabajar.

Para aspirar polvo especialmente nocivo para la salud, cancerígeno, o polvo seco utilice un aspirador especial.

Aspiración integrada (vea la figura N)

En el caso de trabajos más pequeños, puede utilizar un saco colector de polvo/virutas (accesorio) (29). Acople el racor del saco colector al expulsor de virutas (3). Vacíe el saco colector de polvo/virutas (29) a tiempo para que permanezca óptima la absorción de polvo.

Selección de la dirección de expulsión de virutas

Con la palanca selectora (10) puede posicionarse el expulsor de virutas (3) hacia la derecha o hacia la izquierda. Presione la palanca selectora (10) hasta que encaje en la posición final. La dirección de expulsión seleccionada se mostrará mediante una flecha en la palanca selectora (10).

Funcionamiento

Puesta en marcha

Ajuste del grosor de viruta

Con el botón giratorio (2) se puede ajustar el grosor de viruta de forma progresiva de 0–2,6 mm mediante la escala de grosor de viruta (1) (división de la escala = 0,1 mm).

Interruptor de conexión/desconexión

► Asegúrese de que puede operar el interruptor de conexión/desconexión sin soltar el mango.

Para la puesta en servicio de la herramienta eléctrica, accione primero el bloqueo de conexión (4) y presione luego el interruptor de conexión/desconexión (5) y manténgalo oprimido.

Para desconectar la herramienta eléctrica, suelte el interruptor de conexión/desconexión (5).

Indicación: Por motivos de seguridad, no se puede bloquear el interruptor de conexión/desconexión (5), sino que debe mantenerse pulsado permanentemente durante el funcionamiento.

Instrucciones de trabajo

► Desmonte el acumulador antes de manipular la herramienta eléctrica (p. ej. en el mantenimiento, cambio de útil, etc.) así como al transportarla y guardarla. En caso contrario podría accidentarse al accionar fortuitamente el interruptor de conexión/desconexión.

Soporte de apoyo (vea la figura O)

El soporte de apoyo (32) permite apoyar la herramienta eléctrica directamente tras finalizar el trabajo sin riesgo de dañar la pieza de trabajo o la cuchilla del cepillo. Durante el trabajo, el soporte de apoyo (32) está abatido hacia arriba para dejar libre la parte trasera de la base del cepillo (11).

Indicación: El soporte de apoyo (32) no debe desmontarse bajo ningún concepto.

Proceso de cepillado (vea la figura O)

Ajuste el grosor de la viruta deseado y acerque la herramienta eléctrica con la parte trasera de la base del cepillo (11) a la pieza de trabajo.

► Solamente aproxime la herramienta eléctrica en funcionamiento contra la pieza de trabajo. En caso contrario puede que retroceda bruscamente el aparato al engancharse el útil en la pieza de trabajo.

Conecte la herramienta eléctrica y guíela con avance uniforme sobre la superficie que se desea procesar.

Para obtener superficies de gran calidad trabaje únicamente con un avance reducido y ejerza presión en el centro de la base del cepillo.

Al trabajar materiales duros como madera dura, y al cepillar con el ancho máximo, ajuste un grosor de viruta reducido y disminuya, dado el caso, la velocidad de avance.

Un avance excesivo reduce la calidad de la superficie y puede provocar rápidamente una obstrucción en el expulsor de virutas.

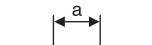



Únicamente utilizando cuchillas afiladas es posible conseguir un buen rendimiento de corte, además de cuidar la herramienta eléctrica.

El soporte de apoyo integrado **(32)** permite reanudar el proceso de cepillado tras una interrupción justo en el punto deseado de la pieza de trabajo:

- Con el soporte de apoyo abatido hacia abajo, coloque la herramienta eléctrica sobre la pieza de trabajo en el punto a partir del cual desee continuar cepillando.
- Conecte la herramienta eléctrica.
- Cambie la presión a la parte delantera de la base del cepillo y desplace la herramienta eléctrica poco a poco hacia delante **(⬅)**. De este modo, el soporte de apoyo se abatirá hacia arriba **(⬆)** para que la parte trasera de la base del cepillo vuelva a quedar junto a la pieza de trabajo.
- Guíe la herramienta eléctrica con avance uniforme sobre la superficie que se desea procesar **(➡)**.

Biselado de cantos (vea la figura P)

Las ranuras en V de la base del cepillo delantera permiten biselar las esquinas de la pieza de trabajo de forma rápida y sencilla. Utilice la ranura en V correspondiente de acuerdo con el ancho de biselado deseado. Para ello, posicione la ranura en V del cepillo en la esquina de la pieza de trabajo y guíe el cepillo a lo largo de la misma.

	Tuerca empleada	Medida a (mm)
	Ninguna	0–2,5
	Pequeña	1,5–4,0
	Media	2,0–4,5
	Grande	3,0–5,5

Cepillado con tope paralelo (ver figuras K – M)

Monte el tope paralelo **(24)** con el tornillo de fijación **(27)** en la herramienta eléctrica. Tras el uso, coloque el tope de profundidad de rebaje **(31)** con el tornillo de fijación **(30)** en la herramienta eléctrica.

Afloje la tuerca de sujeción **(26)** y ajuste la anchura de rebaje deseada en la escala **(25)**. Vuelva a apretar la tuerca de sujeción **(26)**.

Ajuste la profundidad de rebaje deseada con el tope de profundidad de rebaje **(31)** correspondiente.

Efectúe el proceso de cepillado tantas veces como sea necesario hasta conseguir la profundidad de rebaje deseada.

Guíe el cepillo ejerciendo una presión lateral.

Mantenimiento y servicio

Mantenimiento y limpieza

- ▶ **Desmonte el acumulador antes de manipular la herramienta eléctrica (p. ej. en el mantenimiento, cambio de útil, etc.) así como al transportarla y guardarla.** En caso contrario podría accidentarse al accionar fortuitamente el interruptor de conexión/desconexión.
- ▶ **Mantenga limpia la herramienta eléctrica y las rejillas de refrigeración para trabajar con eficacia y seguridad.**

No limite la libertad de movimiento del soporte de apoyo **(32)** y límpielo regularmente.

Si el desgaste de las escobillas es excesivo, la herramienta eléctrica se desconecta automáticamente. La herramienta eléctrica debe enviarse para el mantenimiento al servicio técnico; direcciones ver apartado "Servicio técnico y atención al cliente".

Cambio de la correa motriz (ver figuras Q–R)

Desenrosque el tornillo **(8)** y quite la cubierta de la correa **(9)**. Retire la correa motriz desgastada **(33)**.

Antes del montaje de una nueva correa motriz **(33)**, limpie las dos poleas **(34)** y **(35)**.

Coloque la nueva polea motriz **(33)** primero sobre la polea pequeña **(35)** y presione luego la correa motriz **(33)** girándola con la mano sobre la polea grande **(34)**.

Preste atención a que la correa motriz **(33)** quede exactamente en las ranuras longitudinales de las poleas **(34)** respectivamente **(35)**.

Coloque la cubierta de la correa **(9)** y apriete firmemente el tornillo **(8)**.

Servicio técnico y atención al cliente

El servicio técnico le asesorará en las consultas que pueda Ud. tener sobre la reparación y mantenimiento de su producto, así como sobre piezas de recambio. Las representaciones gráficas tridimensionales e informaciones de repuestos se encuentran también bajo: www.bosch-pt.com

El equipo asesor de aplicaciones de Bosch le ayuda gustosamente en caso de preguntas sobre nuestros productos y sus accesorios.

Para cualquier consulta o pedido de piezas de repuesto es imprescindible indicar el nº de artículo de 10 dígitos que figura en la placa de características del producto.

México

Robert Bosch S. de R.L. de C.V.

Calle Robert Bosch No. 405

C.P. 50071 Zona Industrial, Toluca - Estado de México

Tel.: (52) 55 528430-62

Tel.: 800 6271286

www.boschherramientas.com.mx

Direcciones de servicio adicionales se encuentran bajo:

www.bosch-pt.com/serviceaddresses

Transporte

Los acumuladores de iones de litio recomendados están sujetos a los requerimientos de la ley de mercancías peligrosas. Los acumuladores pueden ser transportados por carretera por el usuario sin más imposiciones.

En el envío por terceros (p.ej., transporte aéreo o por agencia de transportes) deberán considerarse las exigencias especiales en cuanto a su embalaje e identificación. En este caso deberá recurrirse a los servicios de un experto en mercancías peligrosas al preparar la pieza para su envío.

Únicamente envíe acumuladores si su carcasa no está dañada. Si los contactos no van protegidos cúbralos con cinta

adhesiva y embale el acumulador de manera que éste no se pueda mover dentro del embalaje. Observe también las prescripciones adicionales que pudieran existir al respecto en su país.

Eliminación



Las herramientas eléctricas, acumuladores, accesorios y embalajes deberán someterse a un proceso de recuperación que respete el medio ambiente.



¡No arroje las herramientas eléctricas, acumuladores o pilas a la basura!

Acumuladores/pilas:

Iones de Litio:

Por favor, observe las indicaciones en el apartado Transporte (ver "Transporte", Página 39).

NOM

El símbolo es solamente válido, si también se encuentra sobre la placa de características del producto/fabricado.

Português do Brasil

Indicações de segurança

Instruções gerais de segurança para ferramentas elétricas

A AVISO

Leia todas as indicações de segurança, instruções, ilustrações e especificações fornecidas com esta ferramenta elétrica. O desrespeito das instruções apresentadas abaixo poderá resultar em choque elétrico, incêndio e/ou ferimentos graves.

Guarde todas as advertências e instruções para futura referência.

O termo "ferramenta elétrica" em todos os avisos listados abaixo referem-se a ferramenta alimentada através de seu cordão de alimentação ou a ferramenta operada a bateria (sem cordão).

Segurança da área de trabalho

- ▶ **Mantenha a área de trabalho limpa e bem iluminada.** As áreas de trabalho desarrumadas ou escuras podem levar a acidentes.
- ▶ **Não opere as ferramentas elétricas em atmosferas explosivas, ou seja, na presença de líquidos, gases ou pós inflamáveis.** As ferramentas criam faíscas que podem inflamar a poeira ou os vapores.

- ▶ **Mantenha as crianças e outras pessoas afastadas da ferramenta elétrica durante o uso.** As distrações podem resultar na perda do controle.

Segurança elétrica

- ▶ **Os plugues da ferramenta devem ser compatíveis com as tomadas. Nunca modifique o plugue. Não use plugues de adaptador com ferramentas aterradas.** Os plugues sem modificações aliados a utilização de tomadas compatíveis reduzem o risco de choque elétrico.
- ▶ **Evite o contato do corpo com superfícies aterradas, como tubos, aquecedores, fogões e geladeiras.** Há um risco elevado de choque elétrico se seu corpo estiver aterrado.
- ▶ **Mantenha as ferramentas elétricas afastadas da chuva ou umidade.** A entrada de água em uma ferramenta elétrica aumenta o risco de choque elétrico.
- ▶ **Não use o cabo para outras finalidades. Jamais use o cabo para transportar, puxar ou desconectar a ferramenta elétrica. Mantenha o cabo afastado do calor, do óleo, de arestas afiadas ou de partes móveis.** Os cabos danificados ou emaranhados aumentam o risco de um choque elétrico.
- ▶ **Ao operar uma ferramenta elétrica ao ar livre, use um cabo de extensão adequado para áreas exteriores.** O uso de um cabo de extensão apropriado para áreas exteriores reduz o risco de choque elétrico.
- ▶ **Se não for possível evitar o funcionamento da ferramenta elétrica em áreas úmidas, utilizar uma alimentação protegida por um dispositivo de corrente diferencial residual (DR).** O uso de um DR reduz o risco de um choque elétrico.

Segurança pessoal

- ▶ **Fique atento, olhe o que está fazendo e use o bom senso ao operar uma ferramenta. Não use uma ferramenta elétrica quando estiver cansado ou sob a influência de drogas, álcool ou medicamentos.** Um momento de desatenção enquanto opera uma ferramenta pode resultar em graves ferimento pessoal.
- ▶ **Use equipamento de proteção individual. Use sempre óculos de proteção.** O uso de equipamento de proteção individual, como máscara de proteção contra poeira, sapatos de segurança antiderrapantes, capacete de segurança ou proteção auricular, usado nas condições adequadas irá reduzir o risco de ferimentos pessoais.
- ▶ **Evite a partida não intencional. Assegure-se de que o interruptor está na posição de desligado antes de conectar o plugue na tomada e/ou bateria, pegar ou carregar a ferramenta.** Carregar as ferramentas com o seu dedo no interruptor ou conectar as ferramentas que apresentam interruptor na posição "ligado", são convites a acidentes.
- ▶ **Remova qualquer ferramenta ou chave de ajuste antes de ligar a ferramenta elétrica.** Uma ferramenta ou chave ainda ligada a uma parte rotativa da ferramenta elétrica pode resultar em ferimentos pessoais.

- ▶ **Evite uma posição anormal. Mantenha uma posição firme e mantenha sempre o equilíbrio.** Desta forma é mais fácil controlar a ferramenta elétrica em situações inesperadas.
- ▶ **Use vestuário apropriado. Não use roupa larga nem joias. Mantenha seus cabelos e roupas afastados de partes móveis.** As roupas largas, joias ou cabelos longos podem ser agarrados por partes móveis.
- ▶ **Se for possível montar dispositivos de aspiração ou de coleta, assegure-se de que são conectados e usados corretamente.** O uso de um dispositivo de coleta de poeira pode reduzir os riscos associados a poeiras.
- ▶ **Não deixe que a familiaridade resultante do uso frequente de ferramentas permita que você se torne complacente e ignore os princípios de segurança da ferramenta.** Uma ação descuidada pode causar ferimentos graves numa fração de segundo.

Uso e manuseio cuidadoso da ferramenta elétrica

- ▶ **Não sobrecarregue a ferramenta elétrica. Use a ferramenta elétrica correta para a sua aplicação.** É melhor e mais seguro trabalhar com a ferramenta elétrica apropriada na área de potência para a qual foi projetada.
- ▶ **Não use a ferramenta elétrica se o interruptor estiver defeituoso.** Qualquer ferramenta elétrica que não pode mais ser controlada com o interruptor é perigosa e deve ser reparada.
- ▶ **Desconecte o plugue da alimentação e/ou remova a bateria, se removível, da ferramenta elétrica antes de efetuar ajustes, trocar acessórios ou guardar as ferramentas elétricas.** Tais medidas de segurança preventivas reduzem o risco de se ligar a ferramenta acidentalmente.
- ▶ **Guarde as ferramentas elétricas não utilizadas fora do alcance das crianças e não permita que as pessoas que não estejam familiarizadas com a ferramenta elétrica ou com essas instruções usem a ferramenta elétrica.** As ferramentas elétricas são perigosas nas mãos de usuários não treinados.
- ▶ **Trate as ferramentas elétricas e acessórios com cuidado. Cheque o desalinhamento ou coesão das partes móveis, rachaduras e qualquer outra condição que possa afetar a operação da ferramenta. Se houver danos, repare a ferramenta elétrica antes do uso.** Muitos acidentes são causados por ferramentas elétricas com manutenção inadequada.
- ▶ **Mantenha as ferramentas de corte afiadas e limpas.** As ferramentas de corte cuidadosamente mantidas e com arestas de corte afiadas emperram com menos frequência e são mais fáceis de controlar.
- ▶ **Use a ferramenta elétrica, acessórios, bits etc. de acordo com essas instruções, considerando as condições de trabalho e o trabalho a executar.** O uso da ferramenta elétrica em tarefas diferentes das previstas poderá resultar em uma situação perigosa.
- ▶ **Mantenha as empunhadeiras e as superfícies de agarrar secas, limpas e livres de óleo e graxa.** As

empunhadeiras e superfícies de agarrar escorregadias não permitem o manuseio e controle seguros da ferramenta em situações inesperadas.

Manuseio e uso cuidadoso da ferramenta com bateria

- ▶ **Recarregar somente com o carregador especificado pelo fabricante.** Um carregador que é adequado para um tipo de bateria pode gerar risco de fogo quando utilizado com outro tipo de bateria.
- ▶ **Use as ferramentas somente com as baterias especificamente designadas.** O uso de outro tipo de bateria pode gerar risco de ferimento e fogo.
- ▶ **Quando a bateria não estiver em uso, mantenha-a afastado de objetos metálicos como clips, moedas, chaves, pregos, parafusos ou outros objetos metálicos pequenos que podem fazer a ligação de um terminal com o outro.** O curto-circuito dos terminais da bateria pode gerar queimaduras ou fogo.
- ▶ **Sob condições abusivas, líquidos podem vazear ser expelidos pela bateria; evite o contato. Se o contato acidental ocorrer, lave com água. Se o líquido entrar em contato com os olhos, consulte um médico.** Líquido expelido pela bateria podem causar irritação ou queimaduras.
- ▶ **Não use uma bateria ou uma ferramenta danificada ou modificada.** As baterias danificadas ou modificadas exibem um comportamento imprevisível podendo causar incêndio, explosão ou risco de ferimentos.
- ▶ **Não exponha a bateria ou a ferramenta ao fogo ou temperaturas excessivas.** A exposição ao fogo ou a temperaturas acima de 130 °C pode causar explosão.
- ▶ **Siga todas as instruções de carregamento e não carregue a bateria ou a ferramenta fora da faixa de temperatura especificada nas instruções.** O carregamento inadequado ou a temperaturas fora da faixa especificada pode danificar a bateria e aumentar o risco de incêndio.

Serviço

- ▶ **Somente permita que a sua ferramenta elétrica seja reparada por pessoal qualificado e usando peças de reposição originais.** Só dessa forma é assegurada a segurança da ferramenta elétrica.
- ▶ **Jamais tente reparar baterias danificadas.** O reparo de baterias deve ser somente realizado pelo fabricante ou por prestadores de serviços autorizados.

Indicações de segurança para plainas

- ▶ **Aguarde que o cortador pare antes de largar a ferramenta.** Um cortador em rotação exposto pode engatar na superfície, levando a uma possível perda de controle e provocando ferimentos graves.
- ▶ **Use grampos ou outra forma prática para fixar e suportar a peça de trabalho em uma plataforma estável.** Segurar a peça com sua mão ou contra seu corpo a deixará instável e poderá levar à perda de controle.

- ▶ **Só conduzir a ferramenta elétrica no sentido da peça a ser trabalhada quando estiver ligada.** Caso contrário há risco de um contragolpe, se a ferramenta de aplicação se enganchar na peça a ser trabalhada.
- ▶ **Não insira as mãos na remoção de aparas.** Você pode sofrer ferimentos nas peças em rotação.
- ▶ **Nunca passe a plaina por cima de objetos de metal, pregos ou parafusos.** As lâminas e o veio da lâmina podem ser danificados e levar a elevadas vibrações.
- ▶ **Utilizar detectores apropriados, para encontrar cabos escondidos, ou consultar a companhia elétrica local.** O contato com cabos elétricos pode provocar fogo e choques elétricos. Danos em tubos de gás podem levar a explosões. A penetração em um cano de água causa danos materiais.
- ▶ **Ao trabalhar, segure a plaina de maneira a que a base da plaina assente de forma plana sobre a peça.** Caso contrário, a plaina poderá ser emperrada e provocar lesões.
- ▶ **Em caso de danos e de utilização incorreta da bateria, podem escapar vapores. A bateria pode incendiar-se ou explodir.** Arejar bem o local de trabalho e consultar um médico se forem constatados quaisquer sintomas. Os vapores podem irritar as vias respiratórias.
- ▶ **Não abra a bateria.** Existe perigo de curto-circuito.
- ▶ **A bateria pode ser danificada com objetos pontiagudos como p. ex. prego ou chave de parafusos ou devido à influência de força externa.** Pode ocorrer um curto-circuito interno e a bateria pode arder, deitar fumo, explodir ou sobreaquecer.
- ▶ **Usar a bateria apenas em produtos do fabricante.** Só assim é que a bateria fica protegida contra sobrecarga perigosa.



Proteja a bateria do calor, p. ex. radiação solar permanente, fogo, sujeira, água e umidade. Há risco de explosão ou de um curto-circuito.



- ▶ **Durante o trabalho, segure a ferramenta elétrica com as duas mãos e providencie uma estabilidade segura.** A ferramenta elétrica se deixa conduzir de forma segura com as duas mãos.

Descrição do produto e especificações



Ler todas as indicações de segurança e instruções. O desrespeito das advertências e das instruções de segurança apresentadas abaixo pode causar choque elétrico, incêndio e/ou graves lesões.

Respeite as ilustrações na parte da frente do manual de instruções.

Utilização adequada

A ferramenta elétrica é destinada para aplainar madeira, como p. ex. vigas e tábuas, sobre uma base firme. Ela

também é apropriada para chanfrar arestas e para fazer rebaixos.

Componentes ilustrados

A numeração dos componentes ilustrados se refere à representação da ferramenta elétrica na página de esquemas.

- (1) Escala da profundidade de corte
- (2) Botão giratório para regular a espessura da aparas (superfície do punho isolada)
- (3) Expulsão de aparas (opcionalmente na esquerda/direita)
- (4) Trava do interruptor de ligar/desligar
- (5) Interruptor de ligar/desligar
- (6) Bateria^{a)}
- (7) Botão de destravamento da bateria^{a)}
- (8) Parafuso da capa da correia
- (9) Capa da correia
- (10) Alavanca para mudar a direção da expulsão de aparas
- (11) Base da plaina
- (12) Ranhuras em V
- (13) Chave de caixa de punho em T/chave Torx
- (14) Parafuso de fixação para mordente de aperto
- (15) Mordente de aperto
- (16) Porta-lâmina
- (17) Ranhura guia para a lâmina da plaina
- (18) Lâmina da plaina HSS
- (19) Fixação da lâmina da plaina HSS
- (20) Parafuso de fixação da lâmina da plaina HSS
- (21) Dispositivo para afiar a lâmina da plaina HSS
- (22) Calibre de ajuste para a lâmina da plaina HSS
- (23) Lâmina da plaina HM/TC^{a)}
- (24) Limitador paralelo
- (25) Escala para a largura do rebaixo
- (26) Porca de fixação para o ajuste da largura do rebaixo
- (27) Parafuso de fixação para guia paralela
- (28) Mangueira de aspiração (∅ 35 mm)^{a)}
- (29) Saco de pó/de aparas^{a)}
- (30) Parafuso de fixação para limitador de profundidade do rebaixo^{a)}
- (31) Limitador de profundidade do rebaixo^{a)}
- (32) Apoio para descanso
- (33) Correia de acionamento
- (34) Polia grande da correia
- (35) Polia pequena da correia
- (36) Punho (superfície do punho isolada)
- (37) Adaptador para a conversão de lâmina da plaina HSS para TC^{a)}

(38) Indicador do nível de carga da bateria na ferramenta elétrica

- a) **Acessórios apresentados ou descritos não pertencem ao volume de fornecimento. Todos os acessórios se encontram em nosso catálogo de acessórios.**

Dados técnicos

Plaina	GHO 185-LI	
Número de produto		3 601 EB5 0..
Tensão nominal	V [~]	18
Nº de rotações em vazio ^{A)}	rpm	14000
Profundidade de corte	mm	0–2,6
Profundidade do rebaixo	mm	0–9
máx. largura da plaina	mm	82
Peso conforme EPTA-Procedure 01:2014 ^{B)}	kg	2,6–3,7
Temperatura ambiente recomendada ao carregar	°C	0 ... +35
Temperatura ambiente admissível durante o funcionamento ^{C)} e durante o armazenamento	°C	–20 ... +50
Baterias recomendadas		GBA 18V... ProCORE18V...
Carregadores recomendados		GAL 18... GAX 18... GAL 36...

A) Medido a 20–25 °C com bateria **GBA 18V 4.0Ah**.

B) depende da bateria utilizada

C) potência limitada a temperaturas < 0 °C

Os valores podem variar em função do produto e estar sujeitos a condições de aplicação e do meio ambiente. Mais informações em www.bosch-professional.com/wac.

Informação sobre ruídos/vibrações

Os valores de emissão de ruído foram determinados de acordo com **EN 62841-2-14**.

O nível sonoro avaliado A da ferramenta elétrica é normalmente: nível de pressão sonora **91 dB(A)**; nível de potência sonora **99 dB(A)**. Incerteza K = **3 dB**.

Use proteção auditiva!

Valores totais de vibração a_h (soma vetorial nas três direções) e incerteza K determinada em função da **EN 62841-2-14**:

$$a_h = 3,5 \text{ m/s}^2, K = 1,5 \text{ m/s}^2.$$

Os níveis de vibrações indicados nestas instruções e o valor de emissão de ruído foram medidos de acordo com um método de medição padronizado e podem ser usados para comparar ferramentas elétricas entre si. Também são adequados para uma avaliação preliminar das emissões de vibrações e ruído.

Os níveis de vibrações indicados e o valor de emissão de ruído representam as principais aplicações da ferramenta elétrica. No entanto, se a ferramenta elétrica for usada para

outras aplicações, com diferentes acessórios acopláveis ou com manutenção insuficiente, os níveis de vibrações e o valor de emissão de ruído podem ser diferentes. Isso pode aumentar significativamente as emissões de vibrações e ruído durante todo o período de trabalho.

Para uma estimativa precisa das emissões de vibrações e ruído, também devem ser considerados os momentos em que a ferramenta está desligada ou em funcionamento, mas não está realmente em uso. Isso pode reduzir significativamente as emissões de vibrações e ruído durante todo o período de trabalho.

Além disso também deverão ser estipuladas medidas de segurança para proteger o operador contra o efeito de vibrações, como por exemplo: a manutenção das ferramentas elétricas e dos acessórios acopláveis, luvas durante o trabalho e a organização dos processos de trabalho.

Bateria

A **Bosch** vende ferramentas elétricas sem fio também sem bateria. Pode consultar na embalagem se está incluída uma bateria no material a fornecer da sua ferramenta elétrica.

Carregar a bateria

- **Utilize somente os carregadores indicados nos dados técnicos.** Somente estes carregadores são adequados para a bateria de íons de lítio utilizada na sua ferramenta elétrica.

Nota: as baterias de lítio são fornecidas parcialmente carregadas devido aos regulamentos internacionais relativos ao transporte. Para assegurar a capacidade máxima da bateria, carregue completamente a bateria antes da primeira utilização.

Colocar a bateria

Empurre a bateria para o respectivo alojamento até que a bateria esteja engatada.

Remover a bateria



Para retirar a bateria, pressione o botão de destravamento e retire a bateria para fora. **Ao fazê-lo, não aplique força.**

A bateria dispõe de 2 níveis de bloqueio para evitar que a bateria caia se for pressionado acidentalmente o botão de destravamento da bateria. Enquanto a bateria estiver na ferramenta elétrica, ele será mantido em posição por meio de uma mola.

Indicador do nível de carga da bateria na bateria

Nota: Nem todos os tipos de bateria dispõem de um indicador do nível de carga de bateria.

Os LEDs verdes do indicador do nível de carga da bateria mostram o nível de carga da bateria. Por motivos de segurança, a consulta do nível de carga só é possível com a ferramenta elétrica parada.

Pressione a tecla para o indicador do nível de carga  ou  para exibir o nível de carga. Isto também é possível com a bateria removida.

Se depois de pressionar a tecla para o indicador do nível de carga não acender nenhum LED, a bateria tem defeito ou tem de ser substituída.

Tipo de bateria GBA 18V...



LED	Capacidade
Luz permanente 3 × verde	60–100 %
Luz permanente 2 × verde	30–60 %
Luz permanente 1 × verde	5–30 %
Luz intermitente 1 × verde	0–5 %

Tipo de bateria ProCORE18V...



LED	Capacidade
Luz permanente 5 × verde	80–100 %
Luz permanente 4 × verde	60–80 %
Luz permanente 3 × verde	40–60 %
Luz permanente 2 × verde	20–40 %
Luz permanente 1 × verde	5–20 %
Luz intermitente 1 × verde	0–5 %

Indicador do nível de carga da bateria na ferramenta elétrica

Com a ferramenta elétrica ligada, o indicador do nível de carga da bateria na ferramenta elétrica assinala a capacidade da bateria ainda disponível ou uma sobrecarga.

LED	Capacidade
Luz permanente 3 × verde	60–100 %
Luz permanente 2 × verde	30–60 %
Luz permanente 1 × verde	5–30 %
Luz intermitente 1 × verde	0–5 %

LED	Significado
Luz intermitente 3 ×	Proteção contra sobrecarga disparou
Luz intermitente LED central	Temperatura da bateria fora da gama de temperatura de serviço e/ou proteção térmica da ferramenta elétrica disparou

Indicações para o manuseio ideal da bateria

Proteja a bateria de umidade e água.

Armazene a bateria apenas numa faixa de temperatura de -20 °C até 50 °C. Não deixe a bateria p. ex. dentro de um veículo no verão.

Limpe ocasionalmente as aberturas de ventilação da bateria com um pincel macio, limpo e seco.

Uma autonomia consideravelmente inferior após um carregamento, indica que a bateria está gasta e tem de ser substituída.

Observar a indicação sobre a eliminação de forma ecológica.

Montagem

- ▶ **Retire a bateria da ferramenta elétrica antes de qualquer trabalho na ferramenta elétrica (p. ex. manutenção, troca de acessório, etc.), assim como para transporte e armazenamento da mesma.** Em caso de acionamento inadvertido do interruptor de ligar/desligar existe perigo de ferimentos.

Seleção da lâmina da plaina

A ferramenta elétrica pode estar equipada com diferentes lâminas da plaina.

Ao montar o adaptador (37) (acessório), se pode converter a ferramenta elétrica de lâminas da plaina HSS (18) para lâminas da plaina HM/TC (23).

Ao substituir as lâminas da plaina, deverá sempre substituir as duas, caso contrário o desequilíbrio produzirá vibrações podendo reduzir a vida útil da ferramenta elétrica.

Troca das lâminas da plaina HSS

- ▶ **Cuidado ao substituir as lâminas da plaina. Não segure as lâminas de plaina pelas arestas de corte.** Poderá ser ferido pelos gumes afiados.

Desmontar a lâmina da plaina (ver figuras A–C)

- Para substituir as lâminas da plaina, rode o porta-lâmina (16), até que o mordente de aperto (15) fique paralelo à base da plaina (11).
- Desaperte os 3 parafusos de fixação (14) com a chave de caixa de punho em T (13) e retire o mordente de aperto (15).
- Retire a fixação da lâmina da plaina (19) juntamente com a lâmina da plaina (18) do porta-lâmina (16) ou da ranhura guia (17).
- Rode o porta-lâmina em 180° e desmonte a 2ª lâmina da plaina.

Nota: Antes de substituir ou reafiar as lâminas da plaina, remover a fixação da lâmina da plaina (19) soltando o parafuso de fixação (20).

Reafiar lâmina da plaina HSS (ver figura D)

Usando o dispositivo para afiar (21) (acessório) e uma pedra de afiar convencional, pode reafiar lâminas da plaina HSS desgastadas ou cegas.

Inserir as duas lâminas da plaina no dispositivo de afiar e fixar com o parafuso e orelhas. Assegurar que ambas as lâminas da plaina estão inseridas até ao limitador.

Movimentar as lâminas da plaina inseridas no dispositivo de afiar uniformemente e com ligeira pressão sobre a pedra de afiar.

Nota: As lâminas da plaina podem ser reafiadas até no máximo 6 mm para uma largura mínima de 23 mm. Depois disso, as lâminas da plaina devem ser substituídas.

Montar a lâmina da plaina (ver figuras E-F)

Antes de voltar a colocar lâminas novas ou reafiadas, limpar o porta-lâmina (16) e, se necessário, a lâmina da plaina (18) e a fixação da lâmina da plaina (19). Limpar as lâminas da plaina fortemente resinificadas com álcool ou querosene.

Nota: As lâminas da plaina novas ou reafiadas devem ser sempre ajustadas para a altura certa antes de serem montadas.

Para o ajuste da altura das lâminas da plaina utilize o calibre de ajuste (22) (acessórios). Colocar a lâmina da plaina (18) e a respetiva fixação (19) no calibre de ajuste. Assegurar que a fixação da lâmina da plaina (19) encaixa na ranhura prevista. Pressionar a lâmina da plaina (18) contra o limitador e fixar a respetiva fixação (19) nessa posição com o parafuso de fixação (20). Assim se alcança automaticamente o ajuste em altura desejado.

A lâmina da plaina deve ser montada **centralizada e alinhada com a base da plaina (11)**. A seguir aperte os 3 parafusos de fixação (14) com a chave de caixa de punho em T (13). Siga a sequência de aperto indicada no mordente de aperto (15) (①②③).

Nota: Verifique antes de colocar a ferramenta em funcionamento o assentamento correto dos parafusos de fixação (14). Aperte bem o porta-lâmina (16) à mão, a lâmina da plaina não deve roçar em lado algum.

Substituir as lâminas da plaina HM/TC

► **Cuidado ao substituir as lâminas da plaina. Não segure as lâminas de plaina pelas arestas de corte.** Poderá ser ferido pelos gumes afiados.

Utilize apenas lâminas da plaina de metal duro/TC originais **Bosch**.

As lâminas da plaina de metal duro (HM/TC) têm 2 gumes e podem ser viradas. Se ambas as arestas de corte estiverem cegas, as lâminas da plaina (23) devem ser substituídas. A lâmina da plaina HM/TC não deve ser reafiada.

Desmontar a lâmina da plaina (ver figuras G-H)

- Para virar ou substituir as lâminas da plaina, rodar o porta-lâmina (16), até que o mordente de aperto (15) fique paralelo à base da plaina (11).
- Soltar os 3 parafusos de fixação (14) com a chave Torx (13) aprox. 1–2 voltas. O mordente de aperto (15) não precisa de ser retirado.
- Rode um pouco o porta-lâmina e empurre com um pedaço de madeira a lâmina da plaina (23) lateralmente para fora do porta-lâmina (16).
- Rode o porta-lâmina em 180° e desmonte a 2ª lâmina da plaina.

Montar a lâmina da plaina (ver figuras I-J)

A ranhura de guia da lâmina da plaina assegura sempre um ajuste uniforme da altura quando a lâmina da plaina é trocada ou virada.

Se necessário, limpar o assento da lâmina no porta-lâmina (16) e a lâmina da plaina (23).

Ao montar a lâmina da plaina, certifique que a mesma encaixe sem problemas na guia de encaixe do porta-lâmina (16).

A lâmina para plaina deve ser montada **centralizada e alinhada com a base da plaina (11)**. A seguir aperte os 3 parafusos de fixação (14) com a chave Torx (13). Siga a sequência de aperto indicada no mordente de aperto (15) (①②③).

Nota: Verifique antes de colocar a ferramenta em funcionamento o assentamento correto dos parafusos de fixação (14). Aperte bem o porta-lâmina (16) à mão, a lâmina da plaina não deve roçar em lado algum.

Utilização de conjuntos de conversão

Conversão de HSS para HM/TC

Com o adaptador HM/TC uma plaina equipada com lâminas da plaina HSS pode ser convertida para lâminas da plaina HM/TC.

- Desaperte os 3 parafusos de fixação (14) com a chave Torx (13) e retire o mordente de aperto (15).
- Retire a fixação da lâmina da plaina (19) juntamente com a lâmina da plaina (18) do porta-lâmina (16) ou da ranhura guia (17).
- Retire os parafusos (20).
- Coloque a fixação (19) e o adaptador (37) no calibre de ajuste (22). A fixação (19) tem de engatar na ranhura do calibre de ajuste (ver figura S).
- Insira a lâmina da plaina HM/TC (23) lateralmente no adaptador (37). A barra do adaptador (37) tem de engatar na ranhura da lâmina da plaina HM/TC (ver figura S).
- Aperte os parafusos (20).
- Coloque a fixação (19) juntamente com o adaptador (37) e a lâmina da plaina (18) no porta-lâmina (16) ou na ranhura guia (17).
- Coloque o mordente (15) e aperte ligeiramente os parafusos de fixação (14).
- A lâmina da plaina deve ser montada **centralizada e alinhada com a base da plaina (11)**. A seguir aperte os 3 parafusos de fixação (14) com a chave Torx (13). Siga a sequência de aperto indicada no mordente de aperto (15) (①②③).

Conversão de HM/TC para HSS

As plainas equipadas com lâmina da plaina HM/TC podem ser convertidas para lâminas da plaina HSS.

- Desaperte os 3 parafusos de fixação (14) com a chave Torx (13) e retire o mordente de aperto (15).
- Retire a fixação da lâmina da plaina (19) juntamente com a lâmina da plaina (18) ou adaptador HM/TC (37) do porta-lâmina (16).
- Retire os parafusos (20).

- Monte a lâmina da plaina HSS (ver "Montar a lâmina da plaina (ver figuras E-F)", Página 45) montada e a alinhe a mesma **centralizada com a base da plaina (11)**.
- Colocar o mordente de aperto **(15)** e apertar os 3 parafusos de fixação **(14)** com a chave Torx **(13)**. Seguir a sequência de aperto indicada no mordente de aperto **(15)** (①②③).

Aspiração de pó/de aparas

Pós de materiais, como por exemplo, tintas que contêm chumbo, alguns tipos de madeira, minerais e metais, podem ser nocivos à saúde. O contato com o pó ou sua inalação pode provocar reações alérgicas e/ou doenças nas vias respiratórias do utilizador ou das pessoas que se encontrem por perto.

Certos pós, como por exemplo pó de carvalho e faia são considerados cancerígenos, especialmente quando juntos com substâncias para o tratamento de madeiras (cromato, preservadores de madeira). Material que contém amianto só deve ser processado por pessoal especializado.

- Se possível, deverá utilizar uma aspiração de pó.
- Assegurar uma boa ventilação do local de trabalho.
- É recomendável usar uma máscara de proteção respiratória com filtro da classe P2.

Observe as diretrizes, vigentes no seu país, relativas aos materiais a serem trabalhados.

► **Evitar acúmulos de pó no local de trabalho.** Pós podem se inflamar levemente.

Limpe regularmente a saída de aparas **(3)**. Para a limpeza da saída de aparas obstruída use uma ferramenta adequada, p ex. um pedaço de madeira, ar comprimido etc.

► **Não insira as mãos na remoção de aparas.** Você pode sofrer ferimentos nas peças em rotação.

Para assegurar uma aspiração ideal, deverá utilizar sempre um dispositivo de aspiração externo ou um saco de pó/de aparas.

Aspiração externa (ver figura N)

Na saída de aparas pode ser conectado de ambos os lados uma mangueira de aspiração (Ø 35 mm) **(28)** (acessório).

Una a mangueira de aspiração **(28)** com um aspirador (acessório). Uma vista geral das conexões a diversos aspiradores de pó encontra-se no final destas instruções de serviço.

O aspirador de pó deve ser apropriado para o material a ser trabalhado.

Utilize um aspirador especial caso o pó seja extremamente nocivo à saúde, cancerígeno ou seco.

Aspiração própria (ver figura N)

No caso de trabalhos menores é possível conectar um saco de pó/de aparas (acessório) **(29)**. Insira o bocal do saco de pó na saída de aparas **(3)**. Esvazie atempadamente o saco de pó/de aparas **(29)**, para que o pó continue sendo aspirado de forma ideal.

Saída de aparas selecionável

Com a alavanca de ajuste **(10)** é possível mudar a direção da saída de aparas **(3)** para a direita ou a esquerda. Pressione sempre a alavanca de ajuste **(10)** até ela engatar na posição final. A direção da saída de aparas selecionada é indicada pela seta da alavanca de ajuste **(10)**.

Funcionamento

Colocando em funcionamento

Ajustar a profundidade de corte

Com botão giratório **(2)** é possível ajustar a profundidade do rebaixo de **0–2,6** mm mediante a escala de profundidade **(1)** (divisão da escala = **0,1** mm).

Ligar e desligar

► **Certifique-se de que consegue acionar o interruptor de ligar/desligar sem ter de soltar o punho.**

Para **colocar em funcionamento** a ferramenta elétrica, empurre primeiro a trava do interruptor **(4)** e pressionar **em seguida** o interruptor de ligar/desligar **(5)** e manter pressionado.

Para **desligar** a ferramenta elétrica, solte o interruptor de ligar/desligar **(5)**.

Nota: Por motivos de segurança o interruptor de ligar/desligar **(5)** não pode ser travado, tem de permanecer continuamente pressionado durante o funcionamento.

Indicações de trabalho

► **Retire a bateria da ferramenta elétrica antes de qualquer trabalho na ferramenta elétrica (p. ex. manutenção, troca de acessório, etc.), assim como para transporte e armazenamento da mesma.** Em caso de acionamento inadvertido do interruptor de ligar/desligar existe perigo de ferimentos.

Apoio de descanso (ver figura O)

O apoio de descanso **(32)** permite pousar a ferramenta elétrica diretamente após o processo de trabalho sem o perigo de danificar a peça ou a lâmina da plaina. Durante o processo de trabalho, o apoio de descanso **(32)** é virado para cima e a parte de trás da base da plaina **(11)** é liberada.

Nota: O apoio de descanso **(32)** não pode ser desmontado.

Processo de aplainar (ver figura O)

Ajuste a profundidade do rebaixo desejada e apoie a ferramenta elétrica com a parte da frente da base da plaina **(11)** na peça.

► **Só conduzir a ferramenta elétrica no sentido da peça a ser trabalhada quando estiver ligada.** Caso contrário há risco de um contragolpe, se a ferramenta de aplicação se engancha na peça a ser trabalhada.

Ligue a ferramenta elétrica e conduza-a com avanço uniforme sobre a superfície a ser trabalhada.

Para obter superfícies de alta qualidade, deverá sempre trabalhar com avanço reduzido e exercer pressão sobre o ponto central da base da plaina.

Para trabalhar materiais duros, p. ex. madeira de lei, assim como ao usufruir da largura máxima da plaina, deverá sempre ajustar reduzidas profundidades de rebaixo e reduzir, se necessário, o avanço da plaina.

Um avanço excessivo reduz a qualidade da superfície e pode levar a uma rápida obstrução da saída de aparas.

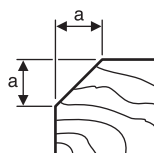
Só lâminas da plaina em perfeito estado proporcionam uma perfeita potência de corte e poupam a ferramenta elétrica.

O apoio de descanso integrado (32) permite também continuar a aplainar após uma interrupção no local desejado da peça:

- Colocar a ferramenta elétrica, com o apoio de descanso virado para baixo, sobre o local da peça que deve ser trabalhado em seguida.
- Ligue a ferramenta elétrica.
- Transfira a pressão para a frente da base da plaina e empurre a ferramenta elétrica devagar para a frente (➔). Durante esse processo, o apoio de descanso é virado para cima (⬆), para que a parte de trás da base da plaina volte assentar na peça.
- Deslize a ferramenta elétrica com um avanço uniforme sobre a superfície a trabalhar (➔).

Chanfrar arestas (ver figura P)

Com as ranhuras em forma de V existentes na parte da frente da base da plaina é possível chanfrar rápida e facilmente as arestas das peças a serem trabalhadas. Utilizar a respectiva ranhura em forma de V de acordo com a largura de chanfragem desejada. Para tal deverá apoiar a plaina com a ranhura em forma de V sobre a aresta da peça a ser trabalhada e conduzi-la ao longo dela.

	Ranhura usada	Medida a (mm)
	nenhuma	0–2,5
	pequeno	1,5–4,0
	limpeza	2,0–4,5
	grande	3,0–5,5

Aplainar com guia paralela (ver figuras K–M)

Monte o guia paralelo (24) com o parafuso de fixação (27) na ferramenta elétrica. Monte, conforme a utilização, um limitador de profundidade do rebaixo (31) com o parafuso de fixação (30) na ferramenta elétrica.

Solte a porca de fixação (26) e ajuste a largura do rebaixo na escala (25). Volte a apertar a porca de fixação (26).

Ajuste a profundidade de rebaixo desejada com o respetivo limitador (31).

Execute repetidamente o processo de aplainar até obter a profundidade do rebaixo desejada. Conduza a plaina com uma pressão lateral.

Manutenção e serviço

Manutenção e limpeza

- ▶ **Retire a bateria da ferramenta elétrica antes de qualquer trabalho na ferramenta elétrica (p. ex. manutenção, troca de acessório, etc.), assim como**

para transporte e armazenamento da mesma. Em caso de acionamento inadvertido do interruptor de ligar/desligar existe perigo de ferimentos.

- ▶ **Manter a ferramenta elétrica e as aberturas de ventilação sempre limpas, para trabalhar bem e de forma segura.**

Mantenha o apoio de descanso (32) desimpedido e limpe-o com regularidade.

Com as escovas de carvão gastas, a ferramenta elétrica desliga-se automaticamente. A ferramenta elétrica tem de ser enviada para manutenção para o Serviço de Assistência Técnica, consulte a seção "Atendimento ao cliente e recomendações de aplicação" para endereços.

Trocar a correia de acionamento (ver figuras Q–R)

Desaperte o parafuso (8) e retire a cobertura da correia (9). Retire a correia de acionamento desgastada (33).

Antes de montar a nova correia de acionamento (33) limpe as duas rodas da correia (34) e (35).

Coloque a nova correia dentada (33) primeiro na roda pequena (35) e depois pressione a correia de acionamento (33) rodando manualmente a roda grande (34).

Certifique-se de que a correia de acionamento (33) se desloca exatamente nos sulcos longitudinais das rodas da correia (34) e (35).

Coloque a cobertura da correia (9) e aperte o parafuso (8).

Serviço pós-venda e assistência ao cliente

O serviço pós-venda responde às suas perguntas a respeito de serviços de reparação e de manutenção do seu produto, assim como das peças sobressalentes. Desenhos explodidos e informações sobre peças sobressalentes também em:

www.bosch-pt.com

A nossa equipe de consultores Bosch esclarece com prazer todas as suas dúvidas a respeito dos nossos produtos e acessórios.

Indique em todas as questões ou encomendas de peças sobressalentes impreterivelmente a referência de 10 dígitos de acordo com a placa de características do produto.

Brasil

Robert Bosch Ltda. – Divisão de Ferramentas Elétricas
Rodovia Anhanguera, Km 98 - Parque Via Norte
13065-900, CP 1195
Campinas, São Paulo
Tel.: 0800 7045 446
www.bosch.com.br/contato

Encontre outros endereços da assistência técnica em:

www.bosch-pt.com/serviceaddresses

Transporte

As baterias de lítio recomendadas estão em conformidade com os requisitos da regulamentação do transporte de mercadorias perigosas. Os acumuladores podem ser transportados pelo utilizador, nas vias públicas, sem mais nenhuma obrigação.

No caso de envio através de terceiros (p. ex.: transporte aéreo ou transitário) é necessário respeitar os requisitos especiais para a embalagem e identificação. Neste caso, para a preparação da embalagem é necessário consultar um perito no transporte de mercadorias perigosas.

Só enviar baterias se a carcaça não estiver danificada. Colar contatos abertos e embalar o bateria de modo que não possa se movimentar dentro da embalagem. Por favor observe também eventuais diretrizes nacionais suplementares.

Descarte



Ferramentas elétricas, baterias, acessórios e embalagens devem ser enviados a uma reciclagem ecológica de matérias primas.



Não descarte as ferramentas elétricas e as baterias/pilhas no lixo doméstico!

Baterias/pilhas:

Lítio:

Por favor, observe as instruções na seção de transporte (ver "Transporte", Página 47).

中文

安全规章

电动工具通用安全警告

警告！ 阅读所有警告和所有说明！不遵照以下警告和说明会导致电击、着火和 / 或严重伤害。

保存所有警告和说明书以备查阅。

在所有下列的警告中术语“电动工具”指市电驱动（有线）电动工具或电池驱动（无线）电动工具。

工作场地的安全

- ▶ 保持工作场地清洁和明亮。混乱和黑暗的场地会引发事故。
- ▶ 不要在易爆环境，如有易燃液体、气体或粉尘的环境下操作电动工具。电动工具产生的火花会点燃粉尘或气体。
- ▶ 让儿童和旁观者离开后操作电动工具。注意力不集中会使操作者失去对工具的控制。

电气安全

- ▶ 电动工具插头必须与插座相配。绝不能以任何方式改装插头。需接地的电动工具不能使用任何转换插头。未经改装的插头和相配的插座将减少电击危险。
- ▶ 避免人体接触接地表面，如管道、散热片和冰箱。如果你身体接地会增加电击危险。

- ▶ 不得将电动工具暴露在雨中或潮湿环境中。水进入电动工具将增加电击危险。
- ▶ 不得滥用电线。绝不能用电线搬运、拉动电动工具或拔出其插头。使电线远离热源、油、锐边或运动部件。受损或缠绕的软线会增加电击危险。
- ▶ 当在户外使用电动工具时，使用适合户外使用的外接软线。适合户外使用的软线将减少电击危险。
- ▶ 如果在潮湿环境下操作电动工具是不可避免的，应使用剩余电流动作保护器（RCD）。使用RCD可减小电击危险。

人身安全

- ▶ 保持警觉，当操作电动工具时关注所从事的操作并保持清醒。当你感到疲倦，或在有药物、酒精或治疗反应时，不要操作电动工具。在操作电动工具时瞬间的疏忽会导致严重人身伤害。
- ▶ 使用个人防护装置。始终佩戴护目镜。安全装置，诸如适当条件下使用防尘面具、防滑安全鞋、安全帽、听力防护等装置能减少人身伤害。
- ▶ 防止意外启动。确保开关在连接电源和/或电池盒、拿起或搬运工具时处于关断位置。手指放在已接通电源的开关上或开关处于接通时插入插头可能会导致危险。
- ▶ 在电动工具接通之前，拿掉所有调节钥匙或扳手。遗留在电动工具旋转零件上的扳手或钥匙会导致人身伤害。
- ▶ 手不要伸展得太长。时刻注意立足点和身体平衡。这样在意外情况下能很好地控制电动工具。
- ▶ 着装适当。不要穿宽松衣服或佩戴饰品。让衣服、手套和头发远离运动部件。宽松衣服、配饰或长发可能会卷入运动部件中。
- ▶ 如果提供了与排屑、集尘设备连接用的装置，要确保他们连接完好且使用得当。使用这些装置可减少尘屑引起的危险。
- ▶ 即使由于经常使用电动工具而对此非常熟悉，也不要就认为可以高枕无忧而忽略工具的安全规定。粗心大意的行为可能在瞬间就造成严重的伤害。

电动工具使用和注意事项

- ▶ 不要滥用电动工具，根据用途使用适当的电动工具。选用适当设计的电动工具会使你工作更有效、更安全。
- ▶ 如果开关不能接通或关断工具电源，则不能使用该电动工具。不能用开关来控制的电动工具是危险的且必须进行修理。
- ▶ 在进行任何调节、更换附件或贮存电动工具之前，必须从电源上拔掉插头和/或使电池盒与工具脱开。这种防护性措施将减少工具意外启动的危险。
- ▶ 将闲置不用的电动工具贮存于儿童所及范围之外，并且不要让不熟悉电动工具或对这些说明不了解的人操作电动工具。电动工具在未经培训的用户手中是危险的。
- ▶ 保养电动工具。检查运动件是否调整到位或卡住，检查零件破损情况和影响电动工具运行的其

他状况。如有损坏，电动工具应在使用前修理好。许多事故由维护不良的电动工具引发。

- ▶ **保持切削刀具锋利和清洁。** 保养良好的有锋利切削刃的刀具不易卡住而且容易控制。
- ▶ **按照使用说明书，考虑作业条件和进行的作业来使用电动工具、附件和工具的刀头等。** 将电动工具用于那些与其用途不符的操作可能会导致危险。
- ▶ **保持手柄和握持表面干燥、清洁、无油污。** 在突发情况下，滑溜的手柄和握持表面无法确保安全地握持和控制工具。

电池式工具使用和注意事项

- ▶ **只用制造商规定的充电器充电。** 将适用于某种电池盒的充电器用到其他电池盒时会发生着火危险。
- ▶ **只有在配有专用电池盒的情况下才使用电动工具。** 使用其他电池盒会发生损坏和着火危险。
- ▶ **当电池盒不用时，将它远离其他金属物体，例如回形针、硬币、钥匙、钉子、螺钉或其他小金属物体，以防一端与另一端连接。** 电池端部短路会引起燃烧或火灾。
- ▶ **在滥用条件下，液体会从电池中溅出；避免接触。** 如果意外碰到了，用水冲洗。如果液体碰到了眼睛，还要寻求医疗帮助。从电池中溅出的液体会发生腐蚀或燃烧。
- ▶ **不要使用损坏的或更改过的电池组或工具。** 损坏或更改过的电池可能导致不可预料的情况发生，有着火、爆炸或受伤的风险。
- ▶ **不要将电池组或工具暴露于火焰或高温情况下。** 火焰或超过130 °C的温度可能会引起爆炸。
- ▶ **遵守所有充电说明，给电池组或工具充电时不要超出说明中规定的温度范围。** 错误充电或温度超出规定的范围可能会损坏电池并提高着火的风险。

维修

- ▶ **将你的电动工具送交专业维修人员，使用同样的备件进行修理。** 这样将确保所维修的电动工具的安全性。
- ▶ **决不能维修损坏的电池包。** 电池包仅能由生产者或其授权的维修服务商进行维修。

电刨安全说明

- ▶ **等刨刀停止后再放置工具。** 外露的旋转刨刀可能会嵌入表面而引发可能的失控和严重的伤害事故。
- ▶ **使用夹具或其他实用方法将工件固定和支撑在稳定的工作台面。** 用手或身体固定工件会使工件不稳引起失控。
- ▶ **先开动电动工具后再把工具放置在工件上切割。** 如果电动工具被夹在工件中，会有反弹的危险。
- ▶ **不要用手抓握排屑槽。** 可能会被旋转部件伤到。
- ▶ **刨削时必须避开金属、钉子或螺丝。** 否则刨刀和刨刀轴可能受损并且会加大震动。
- ▶ **使用合适的侦测装置侦察隐藏的电线，或者向当地的相关单位寻求支援。** 接触电线可能引起火灾

并让操作者触电。损坏了瓦斯管会引起爆炸。如果水管被刺穿了会导致财物损失。

- ▶ **工作时必须让刨刀的底板平贴着工件。** 否则刨刀可能被工件绊住导致操作者受伤。
- ▶ **如果充电电池损坏或者未按照规定使用，充电电池中会散发出有毒蒸汽。** 充电电池可能会燃烧或爆炸。工作场所必须保持空气流通，如果身体有任何不适必须马上就医。蒸汽会刺激呼吸道。
- ▶ **切勿打开充电电池。** 可能造成短路。
- ▶ **钉子、螺丝刀等尖锐物品或外力作用可能会损坏充电电池。** 有可能出现内部短路、蓄电池燃烧、发出烟雾、爆炸或过热。
- ▶ **只能将此充电电池用在制造商的产品中。** 这样才能确保充电电池不会过载。



保护充电电池免受高温（例如长期阳光照射）、火焰、脏污、水和湿气的侵害。 有爆炸和短路的风险。



- ▶ **工作时使用双手握紧电动工具并确保站稳。** 使用双手才能够稳定地操作电动工具。

产品和性能说明



请阅读所有安全规章和指示。 不遵照以下警告和说明可能导致电击、着火和/或严重伤害。

请注意本使用说明书开头部分的图示。

按照规定使用

本电动工具用于在稳固的工作平台上刨削木材，例如方木和木板。也适合刨斜边和开槽。

插图上的机件

机件的编号和电动工具详解图上的编号一致。

- (1) 刨深刻度
- (2) 设定刨深的旋钮
(配备绝缘握柄)
- (3) 出屑口（可选择右侧/左侧）
- (4) 起停开关的开机锁
- (5) 起停开关
- (6) 充电电池^{a)}
- (7) 充电电池盒的解锁按钮^{a)}
- (8) 皮带护罩的固定螺栓
- (9) 皮带护罩
- (10) 出屑口方向转换杆
- (11) 电刨底板
- (12) V形槽
- (13) T型手柄套筒扳手/Torx扳手
- (14) 夹紧钳口固定螺栓
- (15) 夹紧钳口
- (16) 刨刀头
- (17) 刨刀的导引槽

- (18) 高速钢 (HSS) 刨刀
 - (19) 高速钢 (HSS) 刨刀的固定架
 - (20) 高速钢 (HSS) 刨刀固定架的螺栓
 - (21) 高速钢 (HSS) 刨刀的刃磨装置
 - (22) 高速钢 (HSS) 刨刀的调整规
 - (23) HM/TC刨刀^{a)}
 - (24) 平行限制器
 - (25) 槽宽刻度
 - (26) 槽宽的调整螺栓
 - (27) 平行限制器固定螺栓
 - (28) 吸尘软管 (直径35毫米)^{a)}
 - (29) 集尘袋/集屑袋^{a)}
 - (30) 槽深限制器的固定螺栓^{a)}
 - (31) 槽深限制器^{a)}
 - (32) 放置垫
 - (33) 皮带
 - (34) 大皮带轮
 - (35) 小皮带轮
 - (36) 手柄 (绝缘握柄)
 - (37) 用于将HSS刨刀改为TC刨刀的适配器^{a)}
 - (38) 电动工具上的充电电池电量指示灯
- a) 图表或说明上提到的附件，并不包含在基本的供货范围中。本公司的附件清单中有完整的附件供应项目。

技术参数

电刨		GHO 185-LI
物品代码		3 601 EB5 0..
额定电压	伏特	18
空载转速 ^{A)}	转/分钟	14000
刨削深度	毫米	0-2.6
槽深	毫米	0-9
最大刨宽	毫米	82
重量符合EPTA-Procedure 01:2014 ^{B)}	公斤	2.6-3.7
充电时建议的环境温度	摄氏度	0至+35
工作时和存放时允许的环境温度 ^{C)}	摄氏度	-20至+50
推荐的充电电池		GBA 18V... ProCORE18V...

电刨		GHO 185-LI
推荐的充电器		GAL 18... GAX 18... GAL 36...

- A) 在20-25摄氏度的条件下带充电电池**GBA 18V 4.0Ah**测得
 - B) 视所使用的充电电池而定
 - C) 温度< 0 摄氏度时功率受限
- 数值可能因不同产品而异，并且受到应用和环境条件影响。更多信息请参见 www.bosch-professional.com/wac。

充电电池

Bosch也销售不带充电电池的充电式电动工具。您可以在包装上查看电动工具的供货范围内是否包含充电电池。

为充电电池充电

- ▶ **请只使用在技术参数中列出的充电器。**只有这些充电器才适用于本电动工具上的锂离子电池。

提示：鉴于国际运输规定，锂离子充电电池在交货时只完成部分充电。首度使用电动工具之前，必须先充足充电电池的电量以确保充电电池的功率。

安装充电电池

将充好电的充电电池推入电池座，直到嵌入。

取出充电电池

如需取下充电电池，则请按压解锁按钮，然后拔出充电电池。**在此过程中请勿过度用力。**

充电电池具备双重锁定功能，即使不小心触动了充电电池的解锁按钮，充电电池也不会从机器中掉落下来。只要充电电池安装在电动工具中，就会被弹簧固定在其位置上。

充电电池上的充电电池电量指示灯

提示：并非每种充电电池型号均具备电量指示灯。充电电池电量指示灯的绿色LED灯显示充电电池的电量。基于安全原因，只能在电动工具静止时检查充电电池的电量。

按压充电电量指示灯按键 \odot 或 \square ，来显示充电电量。也可以在充电电池取下时操作。

如果按压充电电量指示灯按键后没有LED灯亮起，则说明充电电池损坏，必须进行更换。

充电电池型号GBA 18V...



LED	电量
3个绿灯长亮	60-100 %
2个绿灯长亮	30-60 %
1个绿灯长亮	5-30 %
1个绿灯闪烁	0-5 %

充电电池型号ProCORE18V...



LED	电量
5个绿灯长亮	80-100 %
4个绿灯长亮	60-80 %
3个绿灯长亮	40-60 %
2个绿灯长亮	20-40 %
1个绿灯长亮	5-20 %
1个绿灯闪烁	0-5 %

电动工具上的充电电池电量指示灯

在电动工具开机后，电动工具上的充电电池电量指示灯显示还能使用的电池电量或者显示过载。

LED	电量
3个绿灯长亮	60-100 %
2个绿灯长亮	30-60 %
1个绿灯长亮	5-30 %
1个绿灯闪烁	0-5 %

LED	含义
3个灯闪烁	过载保护装置已触发
中间的LED闪烁	充电电池的温度超出工作温度范围和/或电动工具的温度保护装置已触发

如何正确地使用充电电池

保护充电电池，避免湿气和水分渗入。

充电电池必须储存在-20 °C至50 °C的环境中。夏天不得将充电电池搁置在汽车中。

不定时地使用柔软，清洁而且干燥的毛刷清洁充电电池的通气孔。

充电后如果充电电池的使用时间明显缩短，代表充电电池已经损坏，必须更换新的充电电池。

请注意有关作废处理的规定。

安装

- ▶ 在电动工具上进行任何维护的工作（例如维修，更换工具等等），以及搬运、保存电动工具之前都必须从机器中取出蓄电池。无意间操作开关可能会造成伤害。

选择刨刀

您可以在本电动工具上安装不同的刨刀。

通过安装适配器(37) (附件) 可将电动工具从HSS刨刀(18)改装为HM/TC刨刀(23)。

更换刨刀时务必同时更换两把刨刀，否则会因为不平衡而造成振动，并且会缩减电动工具的使用寿命。

更换高速钢 (HSS) 刨刀

- ▶ 更换刨刀时要小心。切勿握住刨刀的切割刃。您可能会被锋利的刀刃割伤。

拆卸刨刀 (参见插图A-C)

- 更换刨刀时，请转动刀头(16)，直至夹紧钳口(15)与电刨底板(11)平行。
- 用T型手柄套筒扳手(13)旋出3个固定螺栓(14)，取下夹紧钳口(15)。
- 将固定架(19)连同刨刀(18)从刀头(16)或导槽(17)中推出。
- 将刀头旋转180°，拆下第2个刨刀。

提示：更换或修磨刨刀前，请松开固定螺栓(20)，拆下固定架(19)。

修磨HSS刨刀 (见图片D)

使用刃磨装置(21) (附件) 和市售磨石可以修磨磨损或钝化的HSS刨刀。

把两把刨刀安装在刃磨装置上，并使用翼形螺栓固定好刨刀。务必把两把刨刀推到极限位置。

在磨石上均匀地来回移动安装在刃磨装置上的刨刀，刃磨时必须轻轻施压。

提示：最多仅允许将刨刀磨掉6毫米，磨至最小宽度23毫米。如果刨刀宽度不足，必须同时更换两把刨刀。

安装刨刀 (参见插图E-F)

再次装入新刨刀或修磨后的刨刀前，请清洁刀头(16)，并在必要时清洁刨刀(18)和固定架(19)。如果刨刀上沾满树脂，得使用酒精或石油清洗。

提示：安装前，必须将新刨刀或修磨后的刨刀校准到正确的高度。

调整规(22) (附件) 用于调整刨刀的高度。将刨刀(18)和固定架(19)放到调整规上。注意，将固定架(19)卡入规定的凹槽内。按压刨刀(18)到极限位置，用固定螺栓(20)将固定架(19)固定在该位置上。此时刨刀已经被调整到正确的高度上了。

刨刀必须对着电刨底板居中(11)安装和对齐。接着用T型手柄套筒扳手(13)拧紧3个固定螺栓(14)。请遵守夹紧钳口(15)上规定的拧紧顺序(①②③)。

提示：投入使用前，检查固定螺栓(14)是否已拧紧。用手转动刀头(16)并确保刨刀不擦碰到任何东西。

更换HM/TC刨刀

- ▶ 更换刨刀时要小心。切勿握住刨刀的切割刃。您可能会被锋利的刀刃割伤。

只能使用Bosch原厂的HM/TC刨刀。

由硬质合金 (HM/TC) 制成的刨刀有两个刨刃，可以翻转使用。如果两个切割刃都变钝，则必须更换刨刀(23)。HM/TC刨刀无法修磨。

拆卸刨刀 (见图片G-H)

- 翻转或更换刨刀时，请转动刀头(16)，直至夹紧钳口(15)与电刨底板(11)平行。
- 用Torx扳手(13)将3个固定螺栓(14)松开1-2圈。无需取下夹紧钳口(15)。

- 略微转动刀头，用一块木头将刨刀(23)在侧面从刀头(16)中推出。
- 将刀头旋转180°，拆下第2个刨刀。

安装刨刀（参见插图I-J）

由于刨刀上有导引槽，所以能够确保在更换或翻转刨刀时刨刀的高度保持一致。

必要时，清洁刀头(16)中的刀座和刨刀(23)。

安装刨刀时请注意，应将其正确安装到刀头(16)的定位导向件中。

刨刀必须**对着电刨底板居中(11)**安装和对齐。接着用Torx扳手(13)拧紧3个固定螺栓(14)。请遵守夹紧钳口(15)上规定的拧紧顺序(①②③)。

提示：投入使用前，检查固定螺栓(14)是否已拧紧。用手转动刀头(16)并确保刨刀不擦碰到任何东西。

使用改装件

把HSS改装成HM/TC

利用HM/TC适配器，可以将安装在电刨上的HSS刨刀改为HM/TC刨刀。

- 用Torx扳手(13)旋出3个固定螺栓(14)，取下夹紧钳口(15)。
- 将固定架(19)连同刨刀(18)从刀头(16)或导槽(17)中推出。
- 去除螺栓(20)。
- 将固定架(19)和适配器(37)装入调整规(22)。固定架(19)必须卡入调整规的凹槽中（见图片S）。
- 将HM/TC刨刀(23)从侧面推入适配器(37)。适配器(37)上的板条也必须卡入HM/TC刨刀的凹槽中（见图片S）。
- 拧紧螺栓(20)。
- 将固定架(19)连同适配器(37)和刨刀(18)装入刀头(16)或导槽(17)中。
- 放上夹紧钳口(15)，旋入固定螺栓(14)，不要拧紧。
- 刨刀必须**对着电刨底板居中(11)**安装和对齐。接着用Torx扳手(13)拧紧3个固定螺栓(14)。请遵守夹紧钳口(15)上规定的拧紧顺序(①②③)。

把HSS改装成HM/TC

可以将安装在电刨上的HM/TC改为HSS刨刀。

- 用Torx扳手(13)旋出3个固定螺栓(14)，取下夹紧钳口(15)。
- 将固定架(19)连同刨刀(18)或HM/TC适配器(37)从刀头(16)中推出。
- 去除螺栓(20)。
- 安装组装好的HSS刨刀（参见“安装刨刀（参见插图E-F）”，页51）并将其**居中**对准电刨底板(11)。
- 放上夹紧钳口(15)，用Torx扳手(13)拧紧3个固定螺栓(14)。请遵守夹紧钳口(15)上规定的拧紧顺序(①②③)。

抽吸粉尘/切屑

含铅的颜料以及某些木材、矿物和金属的加工废尘有害健康。机器操作者或者工地附近的人如果接触、吸入这些废尘，可能会有过敏反应或者感染呼吸道疾病。

某些尘埃（例如加工橡木或山毛榉的废尘）可能致癌，特别是和处理木材的添加剂（例如木材的防腐剂等）结合之后。只有经过专业训练的人才能够加工含石棉的物料。

- 尽可能使用适合物料的吸尘装置。
- 工作场所要保持空气流通。
- 最好佩戴P2滤网等级的口罩。

请留心并遵守贵国和加工物料有关的法规。

► **避免让工作场所堆积过多的尘垢。** 尘垢容易被点燃。

定期清理出屑口(3)。清理堵塞的锯屑排出口时，使用合适的工具，如木片、压缩空气等。

► **不要用手抓握排屑槽。** 可能会被旋转部件伤到。为了确保最佳吸尘效果，一定要连接其他的吸尘装备或者使用集尘袋/集屑袋。

外部集尘（参见插图N）

可以在出屑口两侧插上吸尘软管（直径35毫米）(28)（附件）。

将吸尘软管(28)与吸尘器（附件）连接。在本使用说明的末尾可以找到各种吸尘器的连接概览。

根据工件的物料选择合适的吸尘器。

抽吸可能危害健康、可能导致癌症或干燥的废尘时，务必使用特殊的吸尘器。

自集尘（参见插图N）

针对小范围操作可以连接集尘袋/集屑袋（附件）(29)。将集尘袋接头牢牢插入出屑口(3)。请及时清空集尘袋/集屑袋(29)，以便保持最佳的集尘效果。

可选择的出屑口

通过转换杆(10)可以将出屑口(3)向右或向左转换。按压转换杆(10)，直至其卡入末端位置。所选的出屑口方向将通过转换杆(10)上的箭头符号显示。

运行

投入使用

调整刨削深度

利用旋钮(2)可借助刨深刻度(1)（刻度分度 = 0,1毫米）在0-2,6毫米的范围内无级调整刨深。

接通/关闭

► **请确保握住手柄时可以开启/关闭开关。**

使用电动工具时，先操纵开机锁(4)，接着按压起停开关(5)并按住。

如要关闭电动工具，请松开起停开关(5)。

提示：基于安全考虑，起停开关(5)无法被锁定，所以操作机器时必须持续地按住开关。

工作提示

- ▶ 在电动工具上进行任何维护的工作（例如维修、更换工具等等），以及搬运、保存电动工具之前都必须从机器中取出蓄电池。无意间操作开关可能会造成伤害。

放置垫（参见插图O）

利用放置垫(32)可以在工作过程结束后马上放下电动工具，而不会有损坏工件或刨刀的危险。在工作过程中，将放置垫(32)翻起来并松开电刨底板(11)的后半部。

提示：不允许拆卸放置垫(32)。

刨削过程（见图片O）

调整所需的刨深，将电动工具以及电刨底板(11)的前半部放到工件上。

- ▶ 先开动电动工具后再把工具放置在工件上切割。

如果电动工具被夹在工件中，会有反弹的危险。接通电动工具电源，以均匀的进给速度在待加工表面上方移动电动工具。

只有使用低进给工作并在电刨底板上居中施加压力，才能达到最高品质的平面刨削效果。

加工硬的物料（例如硬木）以及利用最大刨宽时，必须设定小的刨削深度，甚至可能需要降低电刨进给速度。

进给过高不仅会降低工件表面质量，而且还可能加速排屑口阻塞。

只有锋利的刨刀才能带来良好的切削功率，并且保护电动工具。

使用内置的放置垫(32)可以在刨削过程中断后在工件的任意位置继续刨削过程：

- 放下翻下放置垫，把电动工具放在工件上的刨削中断位置上。
- 接通电动工具的电源。
- 将接触压力放在前部电刨底板上，并向前缓慢推动电动工具(1)。同时向上翻起放置垫(2)，使电刨底板的后半部重新贴到工件上。
- 以均匀的进给速度在待加工表面(3)上方移动电动工具。

边缘倒棱（参见插图P）

利用前部电刨底板上的V形槽，可以方便快捷地给工件边缘倒棱。根据需要的刨削宽度，请选择合适的V形槽。把电刨的V形槽放在工件的棱边上，然后沿着棱边推动电刨。

使用的凹槽	尺寸a (毫米)
无	0-2,5
小	1,5-4,0
中	2,0-4,5
大	3,0-5,5

使用平行限制器刨削（参见插图K-M）

将平行限制器(24)用固定螺栓(27)安装到电动工具上。分别安装后，将槽深限制器(31)用固定螺栓(30)安装到电动工具上。

松开止动螺母(26)，通过刻度(25)调节到所需的槽宽。重新拧紧止动螺母(26)。

利用槽深限制器(31)调节到所需的槽深。

多次重复刨削过程，直至达到需要的槽深为止。操作时施力点要放在电刨的侧面上。

维修和服务

维修和清洁

- ▶ 在电动工具上进行任何维护的工作（例如维修、更换工具等等），以及搬运、保存电动工具之前都必须从机器中取出蓄电池。无意间操作开关可能会造成伤害。

- ▶ 电动工具和通气孔必须随时保持清洁，以确保工作效率和工作安全。

确保放置垫(32)活动自如并定期清洁。

如果碳刷耗尽了，电动工具会自动关闭。必须将电动工具寄到客户服务部门进行保养，地址请见“客户服务和应用咨询”章节。

更换驱动皮带（见图片Q-R）

拧出螺栓(8)，然后取下皮带护罩(9)。拆下磨损的驱动皮带(33)。

安装新的驱动皮带(33)前，请清洁两个皮带轮(34)和(35)。

将新的驱动皮带(33)先放到小皮带轮(35)上，接着向下按压皮带(33)，用手将其旋到大皮带轮(34)上。

注意，驱动皮带(33)应精确地在皮带轮(34)或(35)的纵向沟槽中运动。

放上皮带护罩(9)，然后拧紧螺栓(8)。

客户服务和应用咨询

本公司顾客服务处负责回答有关本公司产品的修理、维护和备件的问题。备件的展开图纸和信息也可查看：www.bosch-pt.com
博世应用咨询团队乐于就我们的产品及其附件问题提供帮助。

询问和订购备件时，务必提供机器铭牌上标示的10位数物品代码。

中国大陆

博世电动工具（中国）有限公司

中国 浙江省 杭州市

滨江区 滨康路567号

102/1F 服务中心

邮政编码：310052

电话：(0571)8887 5566 / 5588

传真：(0571)8887 6688 x 5566# / 5588#

电邮：bsc.hz@cn.bosch.com

www.bosch-pt.com.cn

制造商地址：

Robert Bosch Power Tools GmbH

罗伯特·博世电动工具有限公司

70538 Stuttgart / GERMANY

70538 斯图加特 / 德国

其他服务地址请见：

www.bosch-pt.com/serviceaddresses

搬运

所推荐的锂离子充电电池必须符合危险物品法规。使用者无须另外使用保护包装便可以运送该充电电池。

但是如果将它交由第三者运送（例如：寄空运或委托运输公司）则要使用特殊的包装和标示。此时必须向危险物品专家请教有关寄送危险物品的相关事宜。

确定充电电池的外壳未受损后，才可以寄送充电电池。粘好未加盖的触点并包装好充电电池，不可以让充电电池在包装中晃动。必要时也得注意各国有关的法规。

处理废弃物

必须以符合环保的方式，回收再利用损坏的电动工具、充电电池、附件和废弃的包装材料。



不可以把电动工具和充电电池/蓄电池丢入一般的家庭垃圾中！

充电电池/电池：**锂离子：**

请注意“搬运”段落中的指示（参见“搬运”，页 54）确认设置。

产品中有害物质的名称及含量

部件名称	有害物质					
	铅 (Pb)	汞 (Hg)	镉 (Cd)	六价铬 (Cr ⁺⁶)	多溴联苯 (PBB)	多溴二苯醚 (PBDE)
外壳的金属部分	○	○	○	○	○	○
外壳的非金属部分	○	○	○	○	○	○
机械传动机构	X	○	○	○	○	○
电机组件	X	○	○	○	○	○
控制组件	X	○	○	○	○	○
附件	○	○	○	○	○	○
配件	○	○	○	○	○	○
连接件	X	○	○	○	○	○
电源线①	○	○	○	○	○	○
电池系统②	X	○	○	○	○	○

本表格依据SJ/T11364的规定编制。

○：表示该有害物质在该部件所有均质材料中的含量均在GB/T 26572规定的限量要求以下。

X：表示该有害物质至少在该部件的某一均质材料中的含量超出GB/T 26572规定的限量要求。且目前业界没有成熟的替代方案，符合欧盟RoHS指令环保要求。

① 适用于采用电源线连接供电的产品。

② 适用于采用充电电池供电的产品。

产品环保使用期限内的使用条件参见产品说明书。

繁體中文**安全注意事項****電動工具一般安全注意事項****警告**

請詳讀工作臺及電動工具的所
有安全警告與使用說明。若不

遵照以下列出的指示，將可能導致電擊、著火和／
或人員重傷。

保存所有警告和說明書以備查閱。

在所有警告中，「電動工具」此一名詞泛指：以市電驅動的（有線）電動工具或是以電池驅動的（無線）電動工具。

工作場地的安全

► 保持工作場地清潔和明亮。混亂和黑暗的場地會引發事故。

- ▶ 不要在易爆環境，如有易燃液體、氣體或粉塵的環境下操作電動工具。電動工具產生的火花會點燃粉塵或氣體。
- ▶ 讓兒童和旁觀者離開後操作電動工具。注意力不集中會使您失去對工具的控制。

電氣安全

- ▶ 電動工具插頭必須與插座相配。絕不能以任何方式改裝插頭。需接地的電動工具不能使用任何轉換插頭。未經改裝的插頭和相配的插座將減少電擊危險。
- ▶ 避免人體接觸接地表面，如管道、散熱片和冰箱。如果您身體接地會增加電擊危險。
- ▶ 不得將電動工具暴露在雨中或潮濕環境中。水進入電動工具將增加電擊危險。
- ▶ 不得濫用電線。絕不能用電線搬運、拉動電動工具或拔出其插頭。使電線遠離熱源、油、銳利邊緣或移動零件。受損或纏繞的軟線會增加電擊危險。
- ▶ 當在戶外使用電動工具時，使用適合戶外使用的延長線。適合戶外使用的軟線，將減少電擊危險。
- ▶ 如果在潮濕環境下操作電動工具是不可避免的，應使用剩餘電流動作保護器（RCD）。使用RCD可降低電擊危險。

人身安全

- ▶ 保持警覺，當操作電動工具時關注所從事的操作並保持清醒。當您感到疲倦，或在有藥物、酒精或治療反應時，不要操作電動工具。在操作電動工具時瞬間的疏忽會導致嚴重人身傷害。
- ▶ 使用個人防護裝置。始終佩戴護目鏡。安全裝置，諸如適當條件下使用防塵面具、防滑安全鞋、安全帽、聽力防護等裝置能減少人身傷害。
- ▶ 防止意外起動。確保開關在連接電源和/或電池盒、拿起或搬運工具時處於關閉位置。手指放在已接通電源的開關上或開關處於接通時插入插頭可能會導致危險。
- ▶ 在電動工具接通之前，拿掉所有調節鑰匙或扳手。遺留在電動工具旋轉零件上的扳手或鑰匙會導致人身傷害。
- ▶ 手不要伸展得太長。時刻注意立足點和身體平衡。這樣在意外情況下能很好地控制電動工具。
- ▶ 著裝適當。不要穿寬鬆衣服或佩戴飾品。讓您的衣物及頭髮遠離運動部件。寬鬆衣服、佩飾或長髮可能會捲入運動部件中。
- ▶ 如果提供了與排屑、集塵設備連接用的裝置，要確保他們連接完好且使用得當。使用這些裝置可減少塵屑引起的危險。
- ▶ 切勿因經常使用工具所累積的熟練感而過度自信，輕忽工具的安全守則。任何一個魯莽的舉動都可能瞬間造成人員重傷。

電動工具使用和注意事項

- ▶ 不要濫用電動工具，根據用途使用適當的電動工具。選用適當設計的電動工具會使您工作更有效、更安全。

- ▶ 如果開關不能開啟或關閉工具電源，則不能使用該電動工具。不能用開關來控制的電動工具是危險的且必須進行修理。
- ▶ 在進行任何調整、更換配件或貯存電動工具之前，必須從電源上拔掉插頭並/或取出電池盒。這種防護性措施將減少工具意外起動的危險。
- ▶ 將閒置不用的電動工具貯存在兒童所及範圍之外，並且不要讓不熟悉電動工具或對這些說明不瞭解的人操作電動工具。電動工具在未經培訓的用戶手中是危險的。
- ▶ 保養電動工具與配備。檢查運動件是否調整到位或卡住，檢查零件破損情況和影響電動工具運行的其他狀況。如有損壞，電動工具應在使用前修理好。許多事故由維護不良的電動工具引發。
- ▶ 保持切削刀具鋒利和清潔。保養良好的有鋒利切削刀的刀具不易卡住而且容易控制。
- ▶ 按照使用說明書，考慮作業條件和進行的作業來使用電動工具、配件和工具的刀頭等。將電動工具用於那些與其用途不符的操作可能會導致危險。
- ▶ 把手及握持區應保持乾燥、潔淨，且不得沾染任何油液或油脂。易滑脫的把手及握持區將無法讓您在發生意外狀況時安全地抓緊並控制工具。

電池式工具使用和注意事項

- ▶ 只用製造商規定的充電器充電。將適用於某種電池盒的充電器用到其他電池盒時會發生著火危險。
- ▶ 只有在配有專用電池盒的情況下才使用電動工具。使用其他電池盒會發生損壞和著火危險。
- ▶ 當電池盒不用時，將它遠離其他金屬物體，例如回形針、硬幣、鑰匙、釘子、螺絲或其他小金屬物體，以防一端與另一端連接。電池端部短路會引起燃燒或火災。
- ▶ 在濫用條件下，液體會從電池中濺出；避免接觸。如果意外碰到了，用水沖洗。如果液體碰到了眼睛，還要尋求醫療幫助。從電池中濺出的液體會發生腐蝕或燃燒。
- ▶ 請勿使用已受損或經改裝的電池盒。已受損或經改裝的電池組可能出現無法預期的反應，進而導致著火、爆炸或造成人員受傷。
- ▶ 勿讓電池盒或工具靠近火源或暴露於異常溫度環境中。若是靠近火源或暴露在超過130 °C的環境中可能造成爆炸。
- ▶ 請完全遵照所有的充電說明，電池盒或工具的溫度若是超出指示的規定範圍，請勿進行充電。不當充電或是在規定的溫度範圍內進行充電，皆可能造成電池損壞並面臨更高的著火風險。

檢修

- ▶ 將您的電動工具送交專業維修人員，必須使用同樣的備件進行更換。這樣將確保所維修的電動工具的安全性。
- ▶ 請勿自行檢修受損的電池盒。電池組應交由製造商或是獲得授權的服務供應商來進行檢修。

電刨刀安全注意事項

- ▶ 等刨刀停止運動後再放置工具。外露的刨刀可能會嵌入表面而引發可能的失控和嚴重的傷害事故。
- ▶ 請用夾具或其他可行方式將工件穩固地架在可靠平台上。用手握持工件或將它貼靠在您身上會因無法確實固定而導致失控。
- ▶ 先啟動電動工具後再把工具放置在工件上切割。如果電動工具被夾在工件中，會有反彈的危險。
- ▶ 切勿徒手抓握出屑口。此處有旋轉部件，可能造成您受傷。
- ▶ 切勿在金屬物體、釘子或螺釘上方進行刨削。否則刨刀和刨刀軸可能受損並且會加大震動。
- ▶ 使用合適的偵測裝置偵察隱藏的電線，或者向當地的相關單位尋求支援。接觸電線可能引起火災並讓操作者觸電。若損壞瓦斯管會引起爆炸。如果水管被刺穿會導致財物損失。
- ▶ 進行刨削時，請讓刨刀底部始終平貼在工件上。否則刨刀可能被工件絆住導致操作者受傷。
- ▶ 如果充電電池損壞了，或者未按照規定使用充電電池，充電電池中會散發出有毒蒸氣。充電電池可能起火或爆炸。工作場所必須保持空氣流通，如果身體有任何不適必須馬上就醫。充電電池散發的蒸氣會刺激呼吸道。
- ▶ 切勿拆開充電電池。可能造成短路。
- ▶ 尖銳物品（例如釘子或螺絲起子）或是外力皆有可能造成充電電池損壞。進而導致內部短路而發生電池起火、冒煙、爆炸或過熱等事故。
- ▶ 僅可使用產品的原廠充電電池。如此才可依照產品提供過載保護。



保護充電電池免受高溫（例如長期日照）、火焰、污垢、水液和濕氣的侵害。有爆炸及短路之虞。



- ▶ 作業期間請用雙手牢牢握緊電動工具並保持穩固。使用雙手才能夠更穩定地操作電動工具。

產品和功率描述



請詳讀所有安全注意事項和指示。如未遵守安全注意事項與指示，可能導致火災、人員遭受電擊及／或重傷。

請留意操作說明書中最前面的圖示。

依規定使用機器

本電動工具適合在穩固的工作平臺上刨削木材，例如木條和木板。它也可以刨斜邊和刨削凹槽。

插圖上的機件

機件的編號和電動工具詳解圖上的編號一致。

- (1) 刨深刻度尺
- (2) 刨深設定旋鈕
(絕緣握柄)
- (3) 排屑口（可選擇右側或左側）

- (4) 起停開關的作動安全鎖
 - (5) 起停開關
 - (6) 充電電池^{a)}
 - (7) 充電電池解鎖按鈕^{a)}
 - (8) 皮帶護罩的螺栓
 - (9) 皮帶護罩
 - (10) 排屑方向轉換桿
 - (11) 刨刀底板
 - (12) V 形槽
 - (13) T 形握把套筒扳手/星形扳手
 - (14) 夾緊鉗口的固定螺栓
 - (15) 夾緊鉗口
 - (16) 刨刀頭
 - (17) 刨刀的導槽
 - (18) 高速鋼刨刀 (HSS)
 - (19) 高速鋼刨刀 (HSS) 的固定架
 - (20) 高速鋼刨刀 (HSS) 固定架的螺栓
 - (21) 高速鋼刨刀 (HSS) 的磨刀裝置
 - (22) 高速鋼刨刀 (HSS) 的定位規
 - (23) 硬金屬碳化鎢刨刀 (HM/TC) ^{a)}
 - (24) 平行擋塊
 - (25) 槽寬刻度尺
 - (26) 槽寬調整器的防鬆螺母
 - (27) 平行擋塊的固定螺栓
 - (28) 吸塵管（直徑 35 mm）^{a)}
 - (29) 集塵／集屑袋^{a)}
 - (30) 槽深擋塊的固定螺栓^{a)}
 - (31) 槽深擋塊^{a)}
 - (32) 暫放腳墊
 - (33) 驅動皮帶
 - (34) 大皮帶輪
 - (35) 小皮帶輪
 - (36) 把手（絕緣握柄）
 - (37) 於將 HSS 刨刀轉換為 TC 刨刀的轉接器^{a)}
 - (38) 電動工具上的電池充電狀態指示器
- a) 圖文中提到的配件，並不包含在基本的供貨範圍中。本公司的配件清單中有完整的配件供應項目。

技術性數據

電刨刀	GHO 185-LI	
產品機號		3 601 EB5 0..
額定電壓	V~	18
無負載轉速 ^{A)}	次 / 分	14000
刨削深度	mm	0-2.6
槽深	mm	0-9
最大刨寬	mm	82

電刨刀		GHO 185-LI	
重量符合 EPTA-Procedure 01:2014 ^{B)}	kg	2.6-3.7	
充電狀態下的建議環境溫度	°C	0... +35	
操作狀態下的容許環境溫度 ^{C)} 以及存放狀態下	°C	-20... +50	
建議使用的充電電池		GBA 18V... ProCORE18V...	
建議使用的充電器		GAL 18... GAX 18... GAL 36...	

A) 於 20–25 °C 配備充電電池 **GBA 18V 4.0Ah** 時測得。

B) 視所使用的充電蓄電池而定

C) 溫度 < 0 °C 時，性能受限

數值可能因產品而異，並受使用條件以及環境條件影響。進一步資訊請見 www.bosch-professional.com/wac。

充電電池

Bosch 亦販售不含充電電池的充電式電動工具。可以從外包裝看出電動工具的供貨範圍是否包括電池。

為充電電池進行充電

- ▶ 只能選用技術性數據裡所列出的充電器。僅有這些充電器適用於電動工具所使用的鋰離子充電電池。

提示：由於國際運輸規定，出貨時鋰離子充電電池已部分充電。初次使用電動工具之前，請先將充電電池充飽電以確保充電電池蓄滿電力。

安裝充電電池

將已充飽電的充電電池推至充電電池固定座內，直到卡緊。

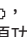
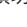
取出充電電池

若要取出充電電池，請按解鎖鈕，然後將充電電池抽出。**不可以強行拉出充電電池。**

本充電電池具備了雙重鎖定功能，即使不小心按壓了充電電池解鎖按鈕，充電電池也不會從機器中掉落出來。固定彈簧會把充電電池夾緊在機器中。

電池上充電電池的電量指示器

提示：並非所有的充電電池類型都有電量指示器。充電電池的電量指示器透過綠色 LED 燈告知充電電池的目前電量。基於安全顧慮，務必在電動工具完全靜止時才能檢查充電電池的電量。

按一下電量指示器按鈕  或 , 即可顯示目前的電量。即使已取出充電電池，此項功能仍可正常運作。

按壓電量顯示按鈕後，LED 燈若未亮起，即表示充電電池故障，必須予以更換。

充電電池型號 GBA 18V...



LED	容量
3 顆綠燈持續亮起	60–100 %
2 顆綠燈持續亮起	30–60 %
1 顆綠燈持續亮起	5–30 %
1 顆綠燈呈閃爍狀態	0–5 %

充電電池型號 ProCORE18V...



LED	容量
5 顆綠燈持續亮起	80–100 %
4 顆綠燈持續亮起	60–80 %
3 顆綠燈持續亮起	40–60 %
2 顆綠燈持續亮起	20–40 %
1 顆綠燈持續亮起	5–20 %
1 顆綠燈呈閃爍狀態	0–5 %

電動工具上的電池充電 犬態指示器

電動工具上的充電電池電量顯示器可在電動工具啟動時向您示意充電電池的電量或發生過載情形。

LED	容量
3 顆綠燈持續亮起	60–100 %
2 顆綠燈持續亮起	30–60 %
1 顆綠燈持續亮起	5–30 %
1 顆綠燈呈閃爍狀態	0–5 %

LED	含義
3 顆燈閃爍	過載保護功能已觸發
中央 LED 燈閃爍	充電電池的溫度超出操作溫度範圍 或者電動工具的溫度保護已觸發

如何正確地使用充電電池

妥善保護充電電池，避免濕氣和水分滲入。充電電池必須儲存在 -20 °C 至 50 °C 的環境中。夏天不可以把充電電池擱置在汽車中。

偶爾用柔軟、乾淨且乾燥的毛刷清潔充電電池的通氣孔。

充電後如果充電電池的使用時間明顯縮短，代表充電電池已經損壞，必須更換新的充電電池。

請您遵照廢棄物處理相關指示。

安裝

- ▶ 在電動工具上進行任何維護的工作（例如維修，更換工具等）以及搬運和儲存電動工具之前，都

必須電動工具中取出充電電池。若是不小心觸動起停開關，可能造成人員受傷。

選用刨刀

您可以在本電動工具上換裝不同的刨刀。

電動工具裝上轉接器 (37) (配件) 後即可由高碳鋼刨刀 (HSS) (18) 換裝為硬金屬碳化鎢刨刀 (HM/TC) (23)。

更換刨刀時務必同時更換兩片刨刀，否則會因為不平衡而造成震動，並且會縮減電動工具的使用壽命。

更換高速鋼刨刀 (HSS)

► 更換刨刀時，請您務必小心。請勿碰觸刨刀的刀刃。您可能會被鋒利的刀刃割傷。

拆卸刨刀 (請參考圖 A-C)

- 若要更換刨刀，請將刨刀頭 (16) 旋轉至夾緊鉗口 (15) 與刨刀底板 (11) 平行的位置。
- 用 T 形握把 (13) 將 3 顆固定螺栓 (14) 旋出，接著將夾緊鉗口 (15) 取下。
- 將固定架 (19) 連同刨刀 (18) 一起從刨刀頭 (16) 或導槽 (17) 中推出來。
- 將刨刀頭旋轉 180° 接著再拆卸第 2 片刨刀。

提示：汰換或重新磨利刨刀之前，請先鬆開固定螺栓 (20)，將拆除固定架 (19)。

重新磨利高碳鋼刨刀 (HSS) (請參考圖 D)

利用磨刀裝置 (21) (配件) 和一般市售磨刀石，即可將已磨損或已變鈍的高碳鋼刨刀 (HSS) 重新磨利。

把兩片刨刀裝在磨刀裝置上，並用蝶翼螺絲將刨刀固定好。務必把兩片刨刀推入至最底位置。

在磨石上均勻地來回移動安裝在磨刀裝置上的刨刀，請輕輕往磨石施壓。

提示：重新磨利時最多可磨掉 6 mm，刨刀寬度不得小於 23 mm。如果刨刀寬度不足，必須同時更換兩片刨刀。

安裝刨刀 (請參考圖 E-F)

在裝上全新或已重新磨利的刨刀之前，請先清潔刨刀頭 (16)，並視需要清潔刨刀 (18) 與固定架 (19)。如果刨刀上沾滿樹脂，得使用酒精或石油加以清潔。

提示：安裝前，全新或已重新磨利的刨刀一律必須先校正至正確高度。

定位規 (22) (配件) 用來調整刨刀高度。將刨刀 (18) 和固定架 (19) 放置在定位規上。請注意：固定架 (19) 應嵌入專門為其設置的凹槽內。將刨刀 (18) 頂向擋塊，然後用固定螺栓 (20) 將固定架 (19) 固定在這個位置上。於是刨刀便已調整至正確高度了。

裝入並校正其位置，刨刀必須置中對齊刨刀底板 (11)。接著用 T 形握把 (13) 旋緊 3 顆固定螺栓 (14)。此時，請您遵照夾緊鉗口 (15) 上標示的旋緊順序 (①②③)。

提示：讓機器開始運轉前，請檢查固定螺栓 (14) 是否固定牢靠。用手旋轉刨刀頭 (16) 然後確認刨刀不會刮擦到任何地方。

更換硬金屬碳化鎢刨刀 (HM/TC)

► 更換刨刀時，請您務必小心。請勿碰觸刨刀的刀刃。您可能會被鋒利的刀刃割傷。

僅可使用 Bosch 原廠硬金屬碳化鎢刨刀 (HM/TC)。

由硬金屬 (HM/TC) 製成的刨刀有兩個刀刃，可以翻面使用。兩個刀刃都已變鈍時，須更換刨刀 (23)。硬金屬碳化鎢刨刀 (HM/TC) 無法重新磨利。

拆卸刨刀 (請參考圖 G-H)

- 若要更換刨刀或將它翻面，請將刨刀頭 (16) 旋轉至夾緊鉗口 (15) 與刨刀底板 (11) 平行的位置。
- 用星形扳手 (13) 將 3 顆固定螺栓 (14) 鬆開 1 - 2 圈左右。夾緊鉗口 (15) 不必取下。
- 稍微轉動刨刀頭，然後利用一個木塊從側邊將刨刀 (23) 從刨刀頭 (16) 推出來。
- 將刨刀頭旋轉 180° 接著再拆卸第 2 片刨刀。

安裝刨刀 (請參考圖 I-J)

由於刨刀上有導槽，所以能夠確保在更換刨刀或將它翻面後，刨刀的高度都能夠保持一致。

必要時請清潔刨刀頭 (16) 裡的刀座以及刨刀 (23)。

裝入刨刀時請注意：刨刀必須正確位於刨刀頭 (16) 的定位導槽內。

裝入並校正其位置，刨刀必須置中對齊刨刀底板 (11)。接著用星形扳手 (13) 旋緊 3 顆固定螺栓 (14)。此時，請您遵照夾緊鉗口 (15) 上標示的旋緊順序 (①②③)。

提示：讓機器開始運轉前，請檢查固定螺栓 (14) 是否固定牢靠。用手旋轉刨刀頭 (16) 然後確認刨刀不會刮擦到任何地方。

使用轉換套件

將高碳鋼刨刀 (HSS) 換裝成硬金屬碳化鎢刨刀 (HM/TC)

配備高碳鋼刨刀 (HSS) 的電刨刀利用硬金屬碳化鎢 (HM/TC) 轉接器，即可換裝成硬金屬碳化鎢刨刀 (HM/TC)。

- 用星形扳手 (13) 將 3 顆固定螺栓 (14) 旋出，接著將夾緊鉗口 (15) 取下。
- 將固定架 (19) 連同刨刀 (18) 一起從刨刀頭 (16) 或導槽 (17) 中推出來。
- 拆除螺栓 (20)。
- 將固定架 (19) 和轉接器 (37) 裝進定位規 (22) 中。固定架 (19) 必須嵌入定位規上的凹槽內 (請參考圖 S)。
- 從側邊將硬金屬碳化鎢刨刀 (HM/TC) (23) 推入轉接器 (37) 中。轉接器上的凸邊條 (37) 必須嵌進硬金屬碳化鎢刨刀 (HM/TC) 上的凹槽內 (請參考圖 S)。
- 旋緊螺栓 (20)。

- 將固定架 (19) 連同轉接器 (37) 和刨刀 (18) 一起裝進刨刀頭 (16) 或導槽 (17) 中。
- 放上夾緊鉗口 (15) 然後將固定螺栓 (14) 旋入但不要旋緊。
- 裝入並校正刨刀位置，必須置中對齊刨刀底板 (11)。接著用星形扳手 (13) 旋緊 3 顆固定螺栓 (14)。此時，請您遵照夾緊鉗口 (15) 上標示的旋緊順序 (①②③)。

將硬金屬碳化鎢刨刀 (HM/TC) 換裝成高碳鋼刨刀 (HSS)

配備硬金屬碳化鎢刨刀 (HM/TC) 的電刨刀可換裝成高碳鋼刨刀 (HSS)。

- 用星形扳手 (13) 將 3 顆固定螺栓 (14) 旋出，接著將夾緊鉗口 (15) 取下。
- 將固定架 (19) 連同刨刀 (18) 或硬金屬碳化鎢 (HM/TC) 轉接器 (37) 一起從刨刀頭 (16) 中推出來。
- 拆除螺栓 (20)。
- 安裝已預先組裝好的高碳鋼刨刀 (HSS) (參見「安裝刨刀 (請參考圖 E-F)」, 頁 58) 並校正其位置，它應置中對齊刨刀底板 (11)。
- 放上夾緊鉗口 (15) 然後用星形扳手 (13) 鎖緊 3 顆固定螺栓 (14)。此時，請您遵照夾緊鉗口 (15) 上標示的旋緊順序 (①②③)。

吸除廢塵／料屑

含鉛顏料、部分木材種類、礦石和金屬的加工廢塵有害健康。機器操作者或施工現場附近的人員如果接觸、吸入這些廢塵，可能會引發過敏反應或感染呼吸道疾病。

某些塵埃 (例如加工橡木或山毛櫸的廢塵) 可能致癌，特別是與處理木材的添加劑 (例如木材的防腐劑等) 結合之後。唯有受過專業訓練的人才能夠進行含石棉物料的加工。

- 儘可能使用適合物料的吸塵裝置。
- 工作場所要保持空氣流通。
- 建議佩戴 P2 過濾等級的口罩。

請留意並遵守貴國的物料加工相關法規。

- ▶ **避免讓工作場所堆積過多的塵垢。**塵埃容易被點燃。

請定期清潔排屑口 (3)。請使用適當工具清潔堵塞的排屑口，例如木塊、壓縮空氣等等。

- ▶ **切勿徒手抓握出屑口。**此處有旋轉部件，可能造成您受傷。

為了確保最佳的吸塵效果，請使用外接式吸塵裝備或者使用集塵袋／集屑袋。

外接的吸塵裝備 (請參考圖 N)

排屑口的兩側可接上吸塵管 (直徑 35 mm) (28) (配件)。

將吸塵管 (28) 與吸塵器連接起來 (配件)。本手冊於結尾處另外刊錄了連接不同類型吸塵器的操作概覽。

根據工件材質選擇合適的吸塵器。

吸集可能危害健康、可能致癌或乾燥的廢塵時，務必使用特殊吸塵器。

機器本身的吸塵裝備 (請參考圖 N)

進行規模較小的作業時，您可接上集塵／集屑袋 (配件) (29)。將集塵袋套管插入排屑口 (3) 內。請適時清空集塵／集屑袋 (29)，以維持最佳吸塵效果。

可調式排屑口

使用轉換桿 (10) 可將排屑口 (3) 切換到右側或左側。始終將轉換桿 (10) 壓入最底位置，直到卡合。所選排屑方向由轉換桿 (10) 上的箭頭符號指示。

操作

操作機器

調整刨削深度

利用旋鈕 (2) 即可依照刨削深度尺 (1) (一格刻度 = 0,1 mm) 從 0-2,6 mm 無段調整刨削深度。

啟動／關閉

- ▶ **請確定您不用放開手，就能操作起停開關。**

若要讓電動工具運轉，請先按下作動安全鎖 (4) 接著再按住起停開關 (5) 不要放開。

放開起停開關 (5)，即可讓電動工具停止運轉。

提示：基於安全考量，無法鎖定起停開關 (5) 的位置，所以操作機器時必須持續按住此開關。

作業注意事項

- ▶ **在電動工具上進行任何維護的工作 (例如維修，更換工具等) 以及搬運和儲存電動工具之前，都必須電動工具中取出充電電池。**若是不小心觸動起停開關，可能造成人員受傷。

暫放腳墊 (請參考圖 O)

暫放腳墊 (32) 可讓您在完成工作程序後直接擱置電動工具，並確保不會對工件或刨刀造成任何損壞。進行加工時，暫放腳墊 (32) 往上翻轉，刨刀底板 (11) 後部因而得以平放。

提示：不得拆卸暫放腳墊 (32)。

刨削程序 (請參考圖 O)

請設定好所需刨削深度，然後將電動工具的刨刀底板 (11) 前部貼放在工件上。

- ▶ **先啟動電動工具後再把工具放置在工件上切割。**

如果電動工具被夾在工件中，會有反彈的危險。開動電動工具，並且施力均勻地在工件的表面上推動機器。

唯有適度地輕推機器才能夠達到最佳的平面刨削效果，並且操作機器時要把施力點放在電刨刀的底板的中央位置。

處理硬木等較硬材質時以及以最大刨寬進行加工時，刨削深度僅可設為偏小值，必要時請您放慢電刨刀的推進速度。

推力過猛不僅會削減工件表層的物料，而且會加速排屑口阻塞。

唯有使用鋒利的刨刀才能夠提高刨削功率，並保護電動工具。

一體成型的暫放腳墊 (32) 可讓您在中斷加工後移至工件上的任意位置再繼續進行刨削：

- 放下暫放腳墊，把電動工具放在工件的刨削中斷位置上。
- 啟動電動工具。
- 將施力點轉移至前方刨刀底板，然後將電動工具慢慢往前推 (●)。此時暫放腳墊將往上翻轉 (⊙)，於是刨刀底板後部可重新貼平在工件上。
- 在待加工的表面上，施力均勻地推動本電動工具 (⊙)。

刨邊角 (請參考圖 P)

前方刨刀底板中的 V 形凹槽可讓您簡單快速地刨削工件邊緣。請根據您所需的刨寬，使用對應的 V 形凹槽。請將電刨刀的 V 形凹槽靠在工件邊緣上，然後將電刨刀平貼並沿著這個邊緣推進。

所使用的凹槽	尺寸 a (mm)
無	0-2,5
小	1,5-4,0
中	2,0-4,5
大	3,0-5,5

使用平行擋塊進行刨削 (請參考圖 K-M)

使用固定螺栓 (27) 將平行擋塊 (24) 安裝在電動工具上。請依照使用需求，以固定螺栓 (30) 將槽深擋塊 (31) 安裝在電動工具上。

鬆開防鬆螺母 (26)，請至刻度尺 (25) 上，將刨寬調整為所需值。將防鬆螺母 (26) 重新旋緊。

利用槽深擋塊 (31) 將電刨刀適當調整至所需的槽深。

重複地進行刨削程序，直到達到所需槽深為止。操作機器時施力點要放在電刨刀側邊上。

維修和服務

維修和清潔

- ▶ 在電動工具上進行任何維護的工作 (例如維修、更換工具等) 以及搬運和儲存電動工具之前，都必須電動工具中取出充電電池。若是不小心觸動起停開關，可能造成人員受傷。
- ▶ 電動工具和通風口都必須保持清潔，這樣才能夠提高工作品質和安全性。

暫放腳墊 (32) 應保持活動自如，請您定期進行清潔。

如果破刷耗盡，電動工具將自動關機。電動工具必須送回顧客服務處進行保養，詳細的寄送地址請參閱「顧客服務處和顧客諮詢中心」。

更換驅動皮帶 (請參考圖 Q-R)

旋出螺栓 (8) 然後取下皮帶護罩 (9)。拆下已磨損的驅動皮帶 (33)。

安裝新的驅動皮帶 (33) 之前，請先將兩個皮帶輪 (34) 和 (35) 清潔乾淨。

將新的驅動皮帶 (33) 先掛到小皮帶輪 (35) 上，接著再藉由徒手旋轉將驅動皮帶 (33) 掛到大皮帶輪 (34)。

請注意：驅動皮帶 (33) 應正好在皮帶輪 (34) 及 (35) 的溝紋中運轉。

裝上皮帶護罩 (9) 並旋緊螺栓 (8)。

顧客服務處和顧客諮詢中心

本公司顧客服務處負責回答有關本公司產品的維修、維護和備用零件的問題。以下的網頁中有分解圖和備用零件相關資料：www.bosch-pt.com 如果對本公司產品及其配件有任何疑問，博世應用諮詢小組很樂意為您提供協助。

當您需要諮詢或訂購備用零件時，請務必提供本產品型號銘牌上 10 位數的產品機號。

台灣

台灣羅伯特博世股份有限公司

建國北路一段90號6樓

台北市10491

電話: (02) 7734 2588

傳真: (02) 2516 1176

www.bosch-pt.com.tw

製造商地址:

Robert Bosch Power Tools GmbH

羅伯特·博世電動工具有限公司

70538 Stuttgart / GERMANY

70538 斯圖加特/德國

以下更多客戶服務處地址：

www.bosch-pt.com/serviceaddresses

搬運

建議使用的鋰離子充電電池受危險物品法的規範。使用者無須另外使用保護包裝便可運送該充電電池。

但是如果將它交由第三者運送 (例如：寄空運或委託運輸公司)，則應遵照包裝與標示的相關要求。此時必須向危險物品專家請教有關寄送危險物品的相關事宜。

確定充電電池的外殼未受損後，才可以寄送充電電池。用膠帶貼住裸露的接點並妥善包裝充電電池，不可以讓充電電池在包裝材料中晃動。同時也應留意各國相關法規。

廢棄物處理



必須以符合環保的方式，將損壞的電動工具、充電電池、配件和包裝材料進行回收再利用。



不可以把電動工具和充電電池/拋棄式電池丟入一般家庭垃圾中！

充電電池/拋棄式電池：

鋰離子：

請注意「搬運」段落中的指示 (參見「搬運」, 頁 60)。

ไทย

คำเตือนเพื่อความปลอดภัย

คำเตือนเพื่อความปลอดภัยทั่วไปสำหรับเครื่องมือไฟฟ้า

คำเตือน อ่านคำเตือนเพื่อความปลอดภัย คำแนะนำ ภาพประกอบ และข้อมูล

จำเพาะทั้งหมดที่จัดส่งมาพร้อมกับเครื่องมือไฟฟ้า การไม่ปฏิบัติตามคำแนะนำทั้งหมดที่ระบุไว้ด้านล่างนี้อาจทำให้ถูกไฟฟ้าดูด เกิดไฟไหม้ และ/หรือได้รับบาดเจ็บอย่างร้ายแรง

เก็บรักษาคำเตือนและคำสั่งทั้งหมดสำหรับเปิดอ่านในภายหลัง

คำว่า "เครื่องมือไฟฟ้า" ในคำเตือนหมายถึง เครื่องมือไฟฟ้าของท่านที่ทำงานด้วยพลังงานไฟฟ้าจากแหล่งจ่ายไฟหลัก (มีสายไฟฟ้า) และเครื่องมือไฟฟ้าที่ทำงานด้วยพลังงานไฟฟ้าจากแบตเตอรี่ (ไร้สาย)

ความปลอดภัยในสถานที่ทำงาน

- ▶ รักษาสถานที่ทำงานให้สะอาดและมีไฟส่องสว่างดี สถานที่ที่มีมืดหรือรกรุงรังนำมาซึ่งอุบัติเหตุ
- ▶ อย่าใช้เครื่องมือไฟฟ้าทำงานในสภาพบรรยากาศที่จุดติดไฟได้ เช่น ในที่มีมีของเหลวไวไฟ ก๊าซ หรือฝุ่น เมื่อใช้เครื่องมือไฟฟ้าจะเกิดประกายไฟซึ่งอาจจุดฝุ่นหรือไอให้ลุกเป็นไฟได้
- ▶ ขณะใช้เครื่องมือไฟฟ้าทำงาน ต้องกั้นเด็กและผู้ยืนดูให้ออกห่าง การหันเหความสนใจอาจทำให้ท่านขาดการควบคุมเครื่องใด

ความปลอดภัยเกี่ยวกับไฟฟ้า

- ▶ ปลั๊กของเครื่องมือไฟฟ้าต้องเหมาะสมพอดีกับเต้าเสียบ อย่าตัดแปลงปลั๊กไม่ว่าในลักษณะใดๆ อย่างเด็ดขาด อย่าใช้ปลั๊กพ่วงต่อใดๆ กับเครื่องมือไฟฟ้าที่มีสายดิน ปลั๊กที่ไม่ตัดแปลงและเต้าเสียบที่เข้ากันช่วยลดความเสี่ยงจากการถูกไฟฟ้าดูด
- ▶ หลีกเลี่ยงอย่าให้ร่างกายสัมผัสกับพื้นผิวที่ต่อสายดินหรือลงกราวด์ไว เช่น ห่อ เครื่องทำความร้อน เต้า และตู้เย็น จะเสี่ยงอันตรายจากการถูกไฟฟ้าดูดมากขึ้นหากกระแสไฟวิ่งผ่านร่างกายของท่านลงดิน
- ▶ อย่าให้เครื่องมือไฟฟ้าถูกฝนหรืออยู่ในสภาพเปียกชื้น หากน้ำเข้าในเครื่องมือไฟฟ้า จะเพิ่มความเสี่ยงจากการถูกไฟฟ้าดูด
- ▶ อย่าใช้สายไฟฟ้าในทางที่ผิด อย่าใช้สายไฟฟ้าเพื่อยก ดึง หรือถอดปลั๊กเครื่องมือไฟฟ้า กั้นสายไฟฟ้าออกจากความร้อน น้ำมัน ขอบแหลมคม หรือชิ้นส่วนที่

เคลื่อนที่ สายไฟฟ้าที่ชำรุดหรือพันกันยังเพิ่มความเสี่ยงจากการถูกไฟฟ้าดูด

- ▶ เมื่อใช้เครื่องมือไฟฟ้าทำงานกลางแจ้ง ให้ใช้สายไฟต่อที่เหมาะสมสำหรับงานกลางแจ้ง ช่วยลดอันตรายจากการถูกไฟฟ้าดูด
- ▶ หากไม่สามารถหลีกเลี่ยงการใช้เครื่องมือไฟฟ้าทำงานในสถานที่เปียกชื้นได้ ให้ใช้สวิตช์ตัวจอร์เมื่อเกิดการรั่วไหลของไฟฟ้าจากสายดิน (RCD) การใช้สวิตช์ตัวจอร์เมื่อเกิดการรั่วไหลของไฟฟ้าจากสายดินช่วยลดความเสี่ยงต่อการถูกไฟฟ้าดูด

ความปลอดภัยของบุคคล

- ▶ ท่านต้องอยู่ในสภาพเตรียมพร้อม ระมัดระวังในสิ่งที่ท่านกำลังทำอยู่ และมีสติขณะใช้เครื่องมือไฟฟ้าทำงาน อย่าใช้เครื่องมือไฟฟ้าขณะที่ท่านกำลังเหนื่อยหรืออยู่ภายใต้การครอบงำของฤทธิ์ของยาเสพติด แอลกอฮอล์ และยา เมื่อใช้เครื่องมือไฟฟ้าทำงานในช่วงเวลาที่ท่านขาดความเอาใจใส่อาจทำให้บุคคลบาดเจ็บอย่างรุนแรงได้
- ▶ ใช้อุปกรณ์ปกป้องร่างกาย สวมแว่นตาป้องกันเสมอ อุปกรณ์ปกป้อง เช่น หนามากากกันฝุ่น รองเท้านิรภัย หมวกแข็ง หรือประภคกันเสียงดังที่ใช่ตามความเหมาะสมกับสภาพการทำงาน จะลดการบาดเจ็บทางร่างกาย
- ▶ ป้องกันการติดเครื่องโดยไม่ตั้งใจ ตรวจสอบให้แน่ใจว่าสวิตช์ขอยู่ในตำแหน่งปิดก่อนเชื่อมต่อกับแหล่งจ่ายไฟ และ/หรือแบตเตอรี่แพ็ค ยกหรือถือเครื่องมือการถือเครื่องโดยใช้นิ้วหัวที่สวิตช์ หรือเสียบปลั๊กไฟฟ้าขณะสวิตช์เปิดอยู่ อาจนำไปสู่อุบัติเหตุที่ร้ายแรงได้
- ▶ นำเครื่องมือปรับแต่งหรือประแจปากคตออกก่อนเปิดสวิตช์เครื่องมือไฟฟ้า เครื่องมือหรือประแจปากคตที่วางอยู่กับส่วนของเครื่องมือที่กำลังหมุนจะทำให้บุคคลบาดเจ็บได้
- ▶ อย่าเอื้อมไกลเกินไป ตั้งทำยี่ห้อที่มั่นคงและวางน้ำหนักให้สมดุลตลอดเวลา ในลักษณะนี้ท่านสามารถควบคุมเครื่องมือไฟฟ้าในสถานการณ์ที่ไม่คาดคิดได้ดีกว่า
- ▶ แต่งกายอย่างเหมาะสม อย่าใส่เสื้อผ้าหลวมหรือสวมเครื่องประดับ เราผมและเสื้อผ้าออกจากชิ้นส่วนที่เคลื่อนที่ เสื้อผ้าหลวม เครื่องประดับ และผมยาวอาจเข้าไปติดในชิ้นส่วนที่เคลื่อนที่
- ▶ หากเครื่องมือไฟฟ้ามีข้อเชื่อมต่อกับเครื่องดูดฝุ่นหรือเครื่องเก็บผง ให้ตรวจสอบให้แน่ใจว่าได้เชื่อมต่อและใช้งานอย่างถูกต้อง การใช้อุปกรณ์ดูดฝุ่นช่วยลดอันตรายที่เกิดจากฝุ่นได้
- ▶ เมื่อใช้งานเครื่องบอยครั้งจะเกิดความคุ้นเคย อย่าให้ความคุ้นเคยทำให้ท่านเกิดความชะล่าใจและละเลยกฎเกณฑ์ด้านความปลอดภัยในการใช้งานเครื่อง การทำงานอย่างไม่ระมัดระวังอาจทำให้เกิดการบาดเจ็บอย่างร้ายแรงภายในเสี้ยววินาที

การใช้และการดูแลรักษาเครื่องมือไฟฟ้า

- ▶ อย่างนินกำลังเครื่องมือไฟฟ้า ใช้เครื่องมือไฟฟ้าที่ถูกต้องตรงตามลักษณะงานของท่าน เครื่องมือไฟฟ้าที่ถูก

ต้องจะทำงานได้ดี

กว่าและปลอดภัยกว่าในระดับสมรรถภาพที่ออกแบบไว้

- ▶ **อย่าใช้เครื่องมือไฟฟ้าถ้าสวิตช์ไม่สามารถเปิดปิดได้**
เครื่องมือไฟฟ้าที่ไม่สามารถควบคุมการเปิดปิดด้วยสวิตช์ได้ เป็นเครื่องมือไฟฟ้าที่ไม่ปลอดภัยและต้องส่งซ่อมแซม
- ▶ **ก่อนปรับแต่งเครื่อง เปลี่ยนอุปกรณ์ประกอบ หรือเก็บเครื่องเข้าที่ ต้องถอดปลั๊กออกจากแหล่งจ่ายไฟ และ/หรือถอดแบตเตอรี่แพ็คเกจออกจากเครื่องมือไฟฟ้าหากถอดออกได้**
มาตรการป้องกันเพื่อความปลอดภัยนี้ช่วยลดความเสี่ยงจากการติดเครื่องโดยไม่ตั้งใจ
- ▶ **เมื่อเลิกใช้งานเครื่องมือไฟฟ้า ให้เก็บเครื่องไว้ในที่ที่เด็กหยิบไม่ถึง และไมอนุญาตให้บุคคลที่ไม่คุ้นเคยกับเครื่องหรือบุคคลที่ไม่ได้อ่านคำแนะนำเหล่านี้ใช้เครื่องมือไฟฟ้าเป็นของอันตรายหากตกอยู่ในมือของผู้ใช้ที่ไม่ได้รับการฝึกฝน**
- ▶ **บำรุงรักษาเครื่องมือไฟฟ้าและอุปกรณ์ประกอบ ตรวจสอบชิ้นส่วนที่เคลื่อนที่ต่างๆ ไม่ตรงแนวหรือติดขัดหรือไม่ ตรวจสอบการแตกหักของชิ้นส่วนและสภาพอื่นใดที่อาจมีผลการดำเนินงานของเครื่องมือไฟฟ้า หากชำรุดต้องส่งเครื่องมือไฟฟ้าไปซ่อมแซมก่อนใช้งาน**
อุบัติเหตุหลายอย่างเกิดขึ้นเนื่องจากดูแลรักษาเครื่องไม่ดีพอ
- ▶ **รักษาเครื่องมือตัด ให้คมและสะอาด**
หากบำรุงรักษาเครื่องมือที่มีขอบตัดแหลมคมอย่างถูกต้อง จะสามารถตัดได้ลื่นไม่ติดขัดและควบคุมได้ง่ายกว่า
- ▶ **ใช้เครื่องมือไฟฟ้า อุปกรณ์ประกอบ เครื่องมือ และอุปกรณ์อื่น ๆ ตรงตามคำแนะนำเหล่านี้ โดยคำนึงถึงเงื่อนไขการทำงานและงานที่จะทำ** การใช้เครื่องมือไฟฟ้าทำงานที่ต่างไปจากวัตถุประสงค์การใช้งานของเครื่อง อาจนำไปสู่สถานการณ์ที่เป็นอันตรายได้
- ▶ **ดูแลหมวกจับและพื้นผิวจับให้แห้ง สะอาด และปราศจากคราบน้ำมันและจาระบี** ตามจับและพื้นผิวจับที่ลื่นทำให้หยิบจับได้ไม่ปลอดภัยและไม่สามารถควบคุมเครื่องมือในสถานการณ์ที่ไม่คาดคิด

การใช้และการดูแลรักษาเครื่องมือใช้แบตเตอรี่

- ▶ **ชาร์จไฟใหม่ด้วยเครื่องชาร์จที่บริษัทผู้ผลิตรายใด**
เครื่องมือใช้แบตเตอรี่ที่เหมาะสมสำหรับชาร์จแบตเตอรี่ประเภทหนึ่ง หากนำไปชาร์จแบตเตอรี่ประเภทอื่น อาจเกิดไฟไหม้ได้
- ▶ **ใช้เครื่องมือไฟฟ้าเฉพาะกับแบตเตอรี่แพ็คเกจที่กำหนดไว้เท่านั้น** การใช้แบตเตอรี่แพ็คเกจอื่นเสี่ยงต่อการเกิดไฟไหม้หรือบาดเจ็บ
- ▶ **เมื่อไม่ใช้งานแบตเตอรี่แพ็คเกจ ให้เก็บไว้ในที่แห้งที่เย็น** โลหะอื่นๆ เช่น คลิปหนีบกระดาษ เหรียญ กุญแจ ตะปู สกรู หรือวัตถุที่เป็นโลหะขนาดเล็กอื่นๆ ที่สามารถเชื่อมต่อขั้วหนึ่งไปยังอีกขั้วหนึ่งได้
การลัดวงจรของขั้วแบตเตอรี่อาจทำให้เกิดการไหม้หรือลวกได้
- ▶ **หากใช้แบตเตอรี่อย่างอาจมีของเหลวไหลออกมาจากแบตเตอรี่ได้ ให้หลีกเลี่ยงการสัมผัส หากสัมผัสโดย**

บังเอิญ ให้ใช้น้ำล้าง หากของเหลวเข้าตา ให้ขอความช่วยเหลือจากแพทย์ด้วย

ของเหลวที่ไหลออกมาจากแบตเตอรี่อาจทำให้เกิดอาการคันหรือแสบผิวหนึ่งได้

- ▶ **อย่าใช้แบตเตอรี่แพ็คเกจหรือเครื่องมือที่ชำรุดหรือดัดแปลง**
แบตเตอรี่ที่ชำรุดหรือดัดแปลงอาจแสดงอาการที่ไม่สามารถคาดเดาได้ ส่งผลให้เกิดไฟไหม้ ระเบิด หรือความเสี่ยงต่อการได้รับบาดเจ็บ
- ▶ **อย่าให้แบตเตอรี่แพ็คเกจหรือเครื่องมือสัมผัสไฟหรืออุณหภูมิที่สูงเกินไป** หากสัมผัสไฟหรืออุณหภูมิที่สูงกว่า 130 °C อาจทำให้เกิดการระเบิดได้
- ▶ **ปฏิบัติตามคำแนะนำเกี่ยวกับการชาร์จทั้งหมด และตั้ง ไม่ชาร์จแบตเตอรี่แพ็คเกจหรือเครื่องมือ**
นอกจากอุณหภูมิที่กำหนดในคำแนะนำ การชาร์จแบตเตอรี่อย่างไม่ถูกวิธีหรือชาร์จอุณหภูมิที่กำหนด อาจทำให้แบตเตอรี่เสียหายและเพิ่มความเสี่ยงต่อการเกิดไฟไหม้

การบริการ

- ▶ **ส่งเครื่องมือไฟฟ้าของท่านเข้ารับบริการจากช่างซ่อมที่มีคุณสมบัติเหมาะสม โดยใส่อะไหล่ที่เหมือนกันเท่านั้น** ในลักษณะนี้ท่านจะแน่ใจได้ว่าเครื่องมือไฟฟ้าอยู่ในสภาพที่ปลอดภัย
- ▶ **อย่าบำรุงรักษาแบตเตอรี่แพ็คเกจที่ชำรุดอย่างเด็ดขาด**
ต้องส่งให้บริษัทผู้ผลิตหรือศูนย์บริการที่ได้รับอนุญาตทำการบำรุงรักษาแบตเตอรี่แพ็คเกจเท่านั้น

คำเตือนเพื่อความปลอดภัยสำหรับบลิสไม

- ▶ **ต้องรอให้ใบตัดหยุดนิ่งอยู่กับที่ก่อนวางเครื่องลงบนพื้น** ใบตัดที่ไหลออกมาและที่หมุนอยู่อาจขบเข้ากับพื้นผิวซึ่งอาจทำให้สูญเสียการควบคุมและได้รับบาดเจ็บสาหัส
- ▶ **ใช้เครื่องมือหนีบหรือวิธีอื่นใดเพื่อยึดและหมุนชิ้นงานกับแท่นที่มั่นคง** การใช้มือจับชิ้นงานหรือยืนไว้กับร่างกายจะไม่มั่นคง และอาจทำให้สูญเสียการควบคุม
- ▶ **จับเครื่องมือไฟฟ้าเข้าหาชิ้นงานเมื่อเครื่องเปิดสวิตช์หยุดเท่านั้น** มิฉะนั้นอาจได้รับอันตรายจากการตีกลับหากเครื่องมือตัดติดขัดอยู่ในชิ้นงาน
- ▶ **อย่ายื่นมือเข้าไปในช่องฟันซี่นอก** ท่านอาจได้รับบาดเจ็บจากชิ้นส่วนที่หมุนอยู่
- ▶ **อย่าสวมวัสดุที่เป็นโลหะ ตะปู หรือสกรู** อย่างเด็ดขาด ใบตัดและเพลลาใบตัดอาจเสียหายและทำให้เส้นตัวมากยิ่งขึ้น
- ▶ **ใช้เครื่องตรวจจับที่เหมาะสมเพื่อตรวจสอบสายไฟฟ้าหรือท่อสาธารณูปโภคที่อาจซ่อนอยู่ในบริเวณทำงานหรือติดต่อบริษัทสาธารณูปโภคในพื้นที่เพื่อขอความช่วยเหลือ** การสัมผัสกับสายไฟฟ้าอาจทำให้เกิดไฟไหม้หรือถูกไฟฟ้าช็อต การทำให้ออกแก๊สเสียหายอาจทำให้เกิดระเบิด การเจาะเขาในท่อน้ำ ทำให้ทรัพย์สินเสียหาย
- ▶ **เมื่อทำงานต้องจับบลิสไมในลักษณะให้แผ่นฐานยกบลิสไมวางราบอย่างราบเรียบบนชิ้นงานเสมอ** มิฉะนั้นบลิสไมอาจติดขัดและทำให้ได้รับบาดเจ็บได้

- ▶ เมื่อแบตเตอรี่ชาร์จและนำไปใช้งานอย่างไม่ถูกต้อง อาจมีไอระเหยออกมาได้ แบตเตอรี่อาจเผาไหม้หรือระเบิดได้ในสูดอากาศบริสุทธิ์และไปพบแพทย์ในกรณีเจ็บปวด ไอระเหยอาจทำให้ระบบหายใจระคายเคือง
- ▶ อย่าเปิดแบตเตอรี่ อันตรายจากการลัดวงจร
- ▶ วัตถุที่แหลมคม ต. ย. เช่น ตะปูหรือไขควง หรือแรงกระทำภายนอก อาจทำให้แบตเตอรี่เสียหายได้ สิ่งเหล่านี้อาจทำให้เกิดการลัดวงจรภายในและแบตเตอรี่ใหม่ มีควัน ระเบิด หรือร้อนเกินไป
- ▶ ใช้แบตเตอรี่แพ็คเกจเฉพาะในผลิตภัณฑ์ของผู้ผลิตเท่านั้น ในลักษณะนี้ แบตเตอรี่แพ็คเกจจะได้รับการปกป้องจากการใช้งานเกินกำลังซึ่งเป็นอันตราย



ปกป้องแบตเตอรี่จากความร้อน รวมทั้ง ต. ย. เช่น จากการถูกแสงแดดส่องต่อเนื่อง จากไฟลิ่งสปริง น้ำ และความชื้น อันตรายจากการระเบิดและการลัดวงจร

- ▶ จับเครื่องมือไฟฟ้าให้แน่นด้วยมือทั้งสองข้างและตั้งท่ายืนให้มั่นคงขณะทำงาน ท่านจะสามารถนำทางเครื่องมือไฟฟ้าได้ปลอดภัยกว่าเมื่อจับเครื่องมือทั้งสองข้าง

รายละเอียดผลิตภัณฑ์และข้อมูลจำเพาะ



อ่านค่าเตือนเพื่อความปลอดภัยและคำแนะนำทั้งหมด การไม่ปฏิบัติตามค่าเตือนและคำสั่งอาจเป็นสาเหตุใหญ่ถูกไฟฟ้าดูด เกิดไฟไหม้และ/หรือได้รับบาดเจ็บอย่างร้ายแรง

กรุณาดูภาพประกอบในส่วนหน้าของคู่มือการใช้งาน

ประโยชน์การใช้งานของเครื่อง

เครื่องมือไฟฟ้านี้ใช้สำหรับใช้วัสดุที่เป็นไม้ที่มีการรองรับอย่างแน่นหนา ต. ย. เช่น ไม้คานและไม้กระดาน เครื่องนี้ยังเหมาะสำหรับใช้ลมมุมและเล็บโซ

ส่วนประกอบที่แสดงในภาพ

ลำดับเลขของส่วนประกอบผลิตภัณฑ์อ้างอิงถึงส่วนประกอบของเครื่องมือไฟฟ้าที่แสดงในหน้าภาพประกอบ

- (1) มาตรการส่วนวัดความลึกในการไส
- (2) มุมหมุนปรับสำหรับปรับความลึกในการไส (พื้นผิวจับหมุนวน)
- (3) ช่องปล่อยขี้เลื่อย (เลือกด้านขวา/ด้านซ้ายได้)
- (4) ตัวล็อกป้องกันการเปิดใช้งานสำหรับสวิตช์เปิด/ปิด
- (5) สวิตช์เปิด/ปิด
- (6) แบตเตอรี่^{a)}
- (7) แบนปลดล็อกแบตเตอรี่^{a)}
- (8) สกรูยึดฝาครอบสายพาน
- (9) ฝาครอบสายพาน
- (10) คันโยกเลือกทิศทางการปล่อยขี้เลื่อย
- (11) ฐานรองเครื่องไสไม้
- (12) ร่องรูปตัว V

- (13) ประแจล็อกมือจับรูปตัว T/ประแจเทอร์ค
 - (14) สกรูยึดก้ามหนีบ
 - (15) ก้ามหนีบ
 - (16) ฐานใบมีด
 - (17) ร่องนำใบมีดไส
 - (18) ใบมีดไส HSS
 - (19) โครงยึดใบมีดไส HSS
 - (20) สกรูยึดโครงยึดใบมีดไส HSS
 - (21) อุปกรณ์ลับคมใบมีดไส HSS
 - (22) ฐานปรับใบมีดไส HSS
 - (23) ใบมีดไส HM/TC^{a)}
 - (24) ตัวหยุดแนวขนาน
 - (25) มาตรการส่วนวัดความกว้างของบังใบ
 - (26) น็อตล็อกปรับความกว้างของบังใบ
 - (27) สกรูยึดตัวหยุดแนวขนาน
 - (28) ท่อดูด (Ø 35 มม.)^{a)}
 - (29) ถุงเก็บผง/ขี้เลื่อย^{a)}
 - (30) สกรูยึดตัวหยุดความลึกของบังใบ^{a)}
 - (31) ตัวหยุดความลึกของบังใบ^{a)}
 - (32) สันพัก
 - (33) สายพานขับเคลื่อน
 - (34) รอกสายพานขนาดใหญ่
 - (35) รอกสายพานขนาดเล็ก
 - (36) มือจับ (พื้นผิวจับหมุนวน)
 - (37) อะแดปเตอร์สำหรับเปลี่ยนใบมีดไส HSS เป็น TC^{a)}
 - (38) ตัวแสดงสถานะการชาร์จแบตเตอรี่บนเครื่องมือไฟฟ้า
- a) อุปกรณ์ประกอบที่แสดงภาพหรืออธิบายไม่รวมอยู่ในการจัดส่งมาตรฐาน กรุณาดูอุปกรณ์ประกอบทั้งหมดในรายการแสดงอุปกรณ์ประกอบของเรา

ข้อมูลทางเทคนิค

เครื่องมือไสไม้	GHO 185-LI	
หมายเลขสินค้า		3 601 EB5 0..
แรงดันไฟฟ้าเกิด	โวลท์	18
ความเร็วรอบเดินเบา ^{A)}	นาที ⁻¹	14,000
ความลึกในการไส	มม.	0-2.6
ความลึกของบังใบ	มม.	0-9
ความกว้างในการไสสูงสุด	มม.	82
น้ำหนักตามระเบียบการ EPTA-Procedure 01:2014 ^{B)}	กก.	2.6-3.7
อุณหภูมิโดยรอบที่แนะนำเมื่อชาร์จ	°C	0 ... +35

เครื่องมือ	GHO 185-LI
อุณหภูมิโดยรอบที่อนุญาตเมื่อใช้งาน ^{c)} และเมื่อจัดเก็บ	°C -20 ... +50
แบตเตอรี่ที่แนะนำ	GBA 18V... ProCORE18V...
เครื่องชาร์จที่แนะนำ	GAL 18... GAX 18... GAL 36...

- A) ดำเนินการวัด ณ อุณหภูมิ 20–25 °C พร้อมแบตเตอรี่ **GBA 18V 4.0Ah**
- B) ขึ้นอยู่กับแบตเตอรี่แพ็คที่ใช้
- C) สมรรถภาพจะน้อยลงที่อุณหภูมิ < 0 °C
- ค่าอาจแตกต่างกันไปตามผลิตภัณฑ์และขึ้นอยู่กับเงื่อนไขการใช้งานใช้งานและสภาพแวดล้อม โปรดดูข้อมูลเพิ่มเติมที่เว็บไซต์ www.bosch-professional.com/wac

แบตเตอรี่

Bosch จำหน่ายเครื่องมือไฟฟ้าไร้สายไม่รวมแบตเตอรี่แพ็คด้วยเช่นกัน คุณสามารถดูได้จากบรรจุภัณฑ์ว่า ขอบเขตการจัดส่งเครื่องมือไฟฟ้าของคุณมีแบตเตอรี่แพ็คหรือไม่

การชาร์จแบตเตอรี่

- ▶ **ใช้เฉพาะเครื่องชาร์จแบตเตอรี่ที่ระบุในข้อมูลทางเทคนิคเท่านั้น** เฉพาะเครื่องชาร์จแบตเตอรี่เหล่านี้เท่านั้นที่เข้าชุดกับแบตเตอรี่ลิเธียม ไอออน ของเครื่องมือไฟฟ้าของท่าน

หมายเหตุ: แบตเตอรี่ลิเธียม ไอออนถูกจัดส่งโดยมีการชาร์จไปบางส่วนตามระเบียบข้อบังคับด้านการขนส่งระหว่างประเทศ เพื่อให้แน่ใจว่าแบตเตอรี่จะทำงานได้อย่างสมบูรณ์แบบ ก่อนใช้งานครั้งแรกให้ชาร์จแบตเตอรี่จนเต็ม

การใส่แบตเตอรี่

ใส่แบตเตอรี่ที่ชาร์จแล้วเข้าในด้ามจับจนรู้สึกเข้าล็อก

การถอดแบตเตอรี่

เมื่อต้องการถอดแบตเตอรี่แพ็คออก ให้กดปุ่มปลดล็อกแบตเตอรี่และดึงแบตเตอรี่แพ็คออกจากเครื่องมือไฟฟ้า **อย่าใช้กำลังดึง** แบตเตอรี่แพ็คมีการล็อก 2 ระดับเพื่อป้องกันไม่ให้แบตเตอรี่แพ็คร่วงหลุดออกมาหากกดปุ่มปลดล็อกแบตเตอรี่โดยไม่ตั้งใจ เมื่อแบตเตอรี่ถูกบรรจุอยู่ในเครื่องมือไฟฟ้า สปริงจะยึดแบตเตอรี่ให้เข้าตำแหน่ง

ตัวแสดงสถานะการชาร์จแบตเตอรี่บนแบตเตอรี่

หมายเหตุ: ไม่ใช่แบตเตอรี่ทุกประเภทที่จะมีไฟแสดงระดับการชาร์จ

ไฟ LED สีเขียวของการแสดงสถานะการชาร์จแบตเตอรี่แสดงสถานะการชาร์จของแบตเตอรี่ ด้วยเหตุผลด้านความปลอดภัยท่านสามารถตรวจสอบสถานะการชาร์จเฉพาะเมื่อเครื่องมือไฟฟ้าหยุดสนิทเท่านั้น

กดปุ่มสำหรับไฟแสดงสถานะการชาร์จแบตเตอรี่ ☺ หรือ ☹ เพื่อแสดงสถานะการชาร์จ ท่านสามารถกดได้แม้มือได้ถอดแบตเตอรี่ออกแล้ว

หลังจากกดปุ่มสำหรับไฟแสดงสถานะการชาร์จแบตเตอรี่แล้ว ไฟ LED ไม่ติดขึ้น แสดงว่าแบตเตอรี่พร้อมและต้องเปลี่ยนใหม่

แบตเตอรี่-ชนิด GBA 18V...



LED	ความจุ
ไฟส่องสว่างต่อเนื่อง 3× สีเขียว	60–100 %
ไฟส่องสว่างต่อเนื่อง 2× สีเขียว	30–60 %
ไฟส่องสว่างต่อเนื่อง 1× สีเขียว	5–30 %
ไฟกะพริบ 1× สีเขียว	0–5 %

แบตเตอรี่-ชนิด ProCORE18V...



LED	ความจุ
ไฟส่องสว่างต่อเนื่อง 5× สีเขียว	80–100 %
ไฟส่องสว่างต่อเนื่อง 4× สีเขียว	60–80 %
ไฟส่องสว่างต่อเนื่อง 3× สีเขียว	40–60 %
ไฟส่องสว่างต่อเนื่อง 2× สีเขียว	20–40 %
ไฟส่องสว่างต่อเนื่อง 1× สีเขียว	5–20 %
ไฟกะพริบ 1× สีเขียว	0–5 %

ตัวแสดงสถานะการชาร์จแบตเตอรี่บนเครื่องมือไฟฟ้า

ตัวแสดงสถานะการชาร์จแบตเตอรี่บนเครื่องมือไฟฟ้าจะบ่งบอกถึงความจุของแบตเตอรี่ที่เหลืออยู่หรือการชาร์จเกินกำลังขณะที่เครื่องมือไฟฟ้าเปิดการทำงาน

LED	ความจุ
ไฟส่องสว่างต่อเนื่อง 3× สีเขียว	60–100 %
ไฟส่องสว่างต่อเนื่อง 2× สีเขียว	30–60 %
ไฟส่องสว่างต่อเนื่อง 1× สีเขียว	5–30 %
ไฟกะพริบ 1× สีเขียว	0–5 %

LED	ความหมาย
ไฟกะพริบ 3 ครั้ง	ระบบป้องกันการชาร์จเกินกำลังถูกกระตุ้นให้ทำงาน
ไฟกะพริบ LED ตรงกลาง	อุณหภูมิของแบตเตอรี่อยู่นอกช่วงอุณหภูมิในการทำงานและ/หรือระบบป้องกันอุณหภูมิของเครื่องมือไฟฟ้าถูกกระตุ้นให้ทำงาน

ข้อแนะนำในการปฏิบัติต่อแบตเตอรี่อย่างเหมาะสมที่สุด

ปกป้องแบตเตอรี่จากความชื้นและน้ำ เก็บรักษาแบตเตอรี่แพ็คในช่วงอุณหภูมิ -20°C ถึง 50°C เท่านั้น อย่าปล่อยให้วางแบตเตอรี่แพ็คไว้ในรถยนต์ในช่วงฤดูร้อน

ทำความสะอาดช่องระบายอากาศเป็นครั้งคราวโดยใช้แปรงขนอ่อนที่แห้งและสะอาด หลังจากชาร์จแบตเตอรี่แล้ว หากแบตเตอรี่แพ็คมีช่วงเวลาทำงานสั้นมาก แสดงว่าแบตเตอรี่แพ็คเสื่อมและต้องเปลี่ยนใหม่ อ่านและปฏิบัติตามข้อสังเกตสำหรับการกำจัดขยะ

การติดตั้ง

- ▶ ถอดแบตเตอรี่ออกจากเครื่องมือไฟฟ้าก่อนทำการปรับแต่งใดๆ ที่เครื่องมือไฟฟ้า (ต. ย. เช่น บำรุงรักษา เปลี่ยนเครื่องมือ ฯลฯ) รวมทั้งเมื่อขนย้ายและเก็บรักษา อัตรารายจากการบาดเจ็บหากสวิทช์เปิด-ปิดติดตั้งอย่างไม่ดีใจ

การเลือกใบมีด

ท่านสามารถติดตั้งใบมีดแบบต่างๆ กันเข้ากับเครื่องมือไฟฟ้านี้ เมื่อติดตั้งอุปกรณ์ตัดแปลง (37) (อุปกรณ์ประกอบ) ท่านจะสามารถเปลี่ยนเครื่องมือไฟฟ้าจากการใช้ใบมีด HSS (18) มาเป็นใบมีด HM/TC (23) เมื่อเปลี่ยนใบมีด ต้องเปลี่ยนใบมีดใหม่ทั้งสองใบเสมอ มิฉะนั้น ความไม่สมดุลจะทำให้เกิดการสั่นสะเทือนและบั่นทอนอายุการใช้งานของเครื่องมือไฟฟ้า

การเปลี่ยนใบมีด HSS

- ▶ ใช้ความระมัดระวังเมื่อเปลี่ยนใบมีด อย่าจับใบมีดตรงขอบตัด ท่านอาจได้รับบาดเจ็บจากขอบตัดที่แหลมคมของใบมีด

การถอดใบมีดโลหะ (ดูภาพประกอบ A-C)

- เมื่อต้องการเปลี่ยนใบมีดโลหะ ให้หมุนฐานใบมีด (16) จนกระทั่งก้ามหนีบ (15) ชนเข้ากับฐานรองเครื่องโลหะ (11)
- หมุนสกรูยึดทั้ง 3 ตัว (14) ออกมาโดยใช้ประแจบล็อกมือจับรูปตัว T (13) แล้วถอดก้ามหนีบ (15)
- เลื่อนโครงยึด (19) พร้อมกับใบมีดโลหะ (18) ออกจากฐานใบมีด (16) หรือร่อนน้ำ (17)
- หมุนฐานใบมีด 180° แล้วถอดใบมีดโลหะทั้งสองออก

หมายเหตุ: ก่อนเปลี่ยนหรือลับคมใบมีดโลหะ ให้ถอดโครงยึด (19) โดยการคลายสกรูยึด (20)

การลับคมใบมีด HSS (ดูภาพประกอบ D)

ท่านสามารถใช้อุปกรณ์ลับคม (21) (อุปกรณ์ประกอบ) และหินลับมีดที่มีจำหน่ายทั่วไปเพื่อลับคมใบมีด HSS ที่ต่อหรือสึกหรอ

สอดใบมีดทั้งสองใบเข้าในอุปกรณ์ลับคมและหนีบใบมีดโดยขั้นตอนพิเศษ ตรวจสอบให้แน่ใจว่าใบมีดทั้งสองถูกดันเข้าไปจนสุด

จับใบมีดที่สอดอยู่ในอุปกรณ์ลับคมเคลื่อนไปมาบนหินลับมีดอย่างสม่ำเสมอและใช้แรงกดเล็กน้อย

หมายเหตุ: ท่านสามารถลับคมใบมีดรีนเข้ามาสูงสุด 6 มม. เมื่อลับคมแล้วใบมีดต้องมีความกว้างไม่น้อยกว่า 23 มม. หลังจากนั้นต้องเปลี่ยนใบมีดทั้งสองใหม่

การติดตั้งใบมีดโลหะ (ดูภาพประกอบ E-F)

ก่อนใส่ใบมีดใหม่หรือใบมีดที่ลับคมแล้ว ให้ทำความสะอาดดรัมใบมีด (16) และหากจำเป็น ให้ทำความสะอาดใบมีด (18) และแผ่นยึดใบมีด (19) ด้วย ทำความสะอาดใบมีดที่ติดตั้งเห็นยวมักๆ ด้วยแอลกอฮอล์หรือน้ำมันปิโตรเลียม

หมายเหตุ: ต้องปรับตั้งความสูงให้ถูกต้องทุกครั้งก่อนติดตั้งใบมีดใหม่หรือใบมีดที่ลับคมแล้ว

สำหรับการปรับความสูงใบมีดให้ใช้ฐานปรับใบมีด (22) (อุปกรณ์ประกอบ) วางใบมีด (18) และแผ่นยึดใบมีด (19) บนฐานปรับใบมีด ตรวจสอบให้แน่ใจว่าแผ่นยึดใบมีด (19) ชนเขาในร่องที่ทำไว้ กัดใบมีด (18) เข่าจนสุดและล็อคแผ่นยึดใบมีด (19) ให้อยู่ในตำแหน่งนี้ด้วยสกรูยึด (20) โดยวิธีนี้จะโคความสูงที่ถูกต้องโดยอัตโนมัติ

ใบมีดโลหะต้องได้รับการติดตั้งและจัดแนวให้อยู่กึ่งกลางของฐานรองเครื่องโลหะ (11) จากนั้นให้ขันสกรูยึดทั้ง 3 ตัว (14) ให้แน่นโดยใช้ประแจบล็อกมือจับรูปตัว T (13) โดยให้ขันตามลำดับ (1) (2) (3) ที่ระบุในก้ามหนีบ (15)

หมายเหตุ: ก่อนเริ่มต้นปฏิบัติงาน ให้ตรวจสอบสกรูยึด (14) ว่าเขาอยู่ในตำแหน่งแน่นดีแล้วหรือไม่หมุนดรัมใบมีด (16) ด้วยมือและตรวจสอบให้แน่ใจว่าใบมีดไม่ครูดกับชิ้นส่วนใดๆ

การเปลี่ยนใบมีด HM/TC

- ▶ ใช้ความระมัดระวังเมื่อเปลี่ยนใบมีด อย่าจับใบมีดตรงขอบตัด ท่านอาจได้รับบาดเจ็บจากขอบตัดที่แหลมคมของใบมีด

ใช้เฉพาใบมีด HM/TC ของแท้ของ Bosch เท่านั้น ใบมีดคาร์ไบด์ (HM/TC) มีขอบตัด 2 ด้านที่สามารถกลับด้านใช้ได้ เมื่อขอบตัดทั้งสองด้านที่ ต้องเปลี่ยนใบมีด (23) ใหม่ ใบมีด HM/TC ไม่สามารถนำมาลับคมซ้ำได้

การถอดใบมีด (ดูภาพประกอบ G-H)

- เมื่อต้องการเปลี่ยนใบมีดใหม่หรือกลับด้านใบมีดเดิม ให้หมุนดรัมใบมีด (16) จนก้ามหนีบ (15) ชนเข้ากับแผ่นฐานกบไฟฟ้า (11)
- คลายสกรูยึด (14) สามตัวโดยหมุนประแจ Torx (13) ประมาณ 1-2 รอบ ไม่ต้องถอดก้ามหนีบ (15) ออก
- หมุนดรัมใบมีดเล็กน้อย และใช้ไม้ดันใบมีด (23) โปทางด้านข้างออกจากดรัมใบมีด (16)
- หมุนดรัมใบมีดไป 180° และถอดใบมีดทั้งสองออก

การติดตั้งใบมีด (ดูภาพประกอบ I-J)

เมื่อเปลี่ยนใบมีดใหม่หรือกลับด้านใบมีดเดิม ร่องนำใบมีดช่วยให้มั่นใจเสมอว่าใบมีดจะถูกปรับให้โคระดับความสูงอย่างคงเส้นคงวา

ทำความสะอาดที่วางใบมีดในดรัมใบมีด (16) และใบมีด (23) หากจำเป็น

เมื่อติดตั้งใบมีด ตรวจสอบให้แน่ใจว่าใบมีดได้วางอยู่ในที่ยึดใบมีดของดรัมใบมีด (16) อย่างถูกต้องแล้ว

ต้องติดตั้งและจัดแนวไข่มืดให้อยู่กึ่งกลางตรงกับแผ่นฐานกบไฟฟ้า (11) จากนั้นจึงขันสลกรูยึด (14) สามตัวด้วยประแจ Torx (13) เข้าให้แน่น โดยเอาใจใส่ให้การขันเป็นไปตามลำดับ (①②③) ที่ระบุไว้บนก้ามหนีบ (15)

หมายเหตุ: ก่อนเริ่มต้นปฏิบัติงาน ให้ตรวจสอบสลกรูยึด (14) ว่าเขาอยู่ในตำแหน่งแนบดีแล้วหรือไม่หมุนครีมนไข่มืด (16) ด้วยมือและตรวจสอบให้แน่ใจว่าไข่มืดไม่เคลื่อนที่ขึ้นส่วนใดๆ

การใช้ชุดตัดแปลง

การเปลี่ยนจาก HSS เป็น TC

กบไฟฟ้าที่มีไข่มืด HSS จะสามารถเปลี่ยนมาเป็นไข่มืด HM/TC ได้เมื่อใช้อุปกรณ์ตัดแปลง HM/TC

- คลายสลกรูยึด (14) สามตัวด้วยประแจ Torx (13) และถอดก้ามหนีบ (15) ออก
- เลื่อนแผ่นยึดไข่มืด (19) พร้อมไข่มืด (18) ออกจากครีมนไข่มืด (16) หรือรอกนำ (17)
- ถอดสลกรู (20) ออก
- ใส่แผ่นยึดไข่มืด (19) และอุปกรณ์ตัดแปลง (37) เข้าในฐานปรับไข่มืด (22) แผ่นยึดไข่มืด (19) ต้องขบเขาในร่องที่ฐานปรับไข่มืด (ดูภาพประกอบ S)
- เลื่อนไข่มืด (23) จากทางด้านข้างเข้าในอุปกรณ์ตัดแปลง (37) แถบที่อุปกรณ์ตัดแปลง (37) ต้องเกี่ยวเขาในร่องที่ไข่มืด HM/TC (ดูภาพประกอบ S)
- ขันสลกรู (20) เข้าให้แน่น
- ใส่แผ่นยึดไข่มืด (19) พร้อมอุปกรณ์ตัดแปลง (37) และไข่มืด (18) เข้าในครีมนไข่มืด (16) หรือเขาในรอกนำไข่มืด (17)
- ใส่ก้ามหนีบ (15) กลับเข้าที่ และขันสลกรูยึด (14) เข้าอย่างหลวมๆ
- ต้องประกอบและจัดแนวไข่มืดให้อยู่กึ่งกลางตรงกับแผ่นฐานกบไฟฟ้า (11) จากนั้นจึงขันสลกรูยึด (14) สามตัวด้วยประแจ Torx (13) เข้าให้แน่น โดยเอาใจใส่ให้การขันเป็นไปตามลำดับ (①②③) ตามที่ระบุไว้บนก้ามหนีบ (15)

การตัดแปลงจาก HM/TC เป็น HSS

กบไฟฟ้าที่มีไข่มืด HM/TC สามารถเปลี่ยนมาใช้ไข่มืด HSS ได้

- คลายสลกรูยึด (14) สามตัวด้วยประแจ Torx (13) และถอดก้ามหนีบ (15) ออก
- เลื่อนแผ่นยึดไข่มืด (19) พร้อมไข่มืด (18) หรืออุปกรณ์ตัดแปลง HM/TC (37) ออกจากครีมนไข่มืด (16)
- ถอดสลกรู (20) ออก
- ติดตั้งไข่มืด HSS ที่ประกอบแล้ว (ดู "การติดตั้งไข่มืดใส (ดูภาพประกอบ E-F)", หน้า 65) และจัดแนวไข่มืดให้อยู่กึ่งกลางตรงกับแผ่นฐานกบไฟฟ้า (11)
- ใส่ก้ามหนีบ (15) กลับเข้าที่ และขันสลกรูยึด (14) สามตัวด้วยประแจ Torx (13) เข้าให้แน่นโดยเอาใจใส่ให้การขันเป็นไปตามลำดับ (①②③) ตามที่ระบุไว้บนก้ามหนีบ (15)

การดูดฝุ่น/ซีลี้อย

ฝุ่นที่ได้จากวัสดุ เช่น เคลือบผิวที่มีสารตะกั่ว ไม้ยางประเภทแรซาดู และโลหะ อาจเป็นอันตรายต่อสุขภาพ การสัมผัสหรือการหายใจเอาฝุ่นเข้าไปอาจทำให้เกิดปฏิกิริยาแพ้

ฝุ่น และ/หรือน้ำมาซึ่งโรคติดเชื้อระบบหายใจแก่ผู้ใช้เครื่องหรือผู้ที่ยืนอยู่ใกล้เคียง

ฝุ่นบางประเภท เช่น ฝุ่นไม้เนื้อแข็ง หรือไม้มีขี้ ไม้เป็นสารที่ทำให้เกิดมะเร็ง โดยเฉพาะอย่างยิ่งเมื่อผสม

กับสารเติมแต่งเพื่อบำบัดไม้ (โครเมต ผลิตภัณฑ์รักษาเนื้อไม้) สำหรับวัสดุที่มีแอลเบสหรือสโตนไฟเบอร์หรือใยหินทำงานเท่านั้น

- ใช้ระบบดูดฝุ่นออกที่เหมาะสมกับประเภทวัสดุ มากเท่าที่จะทำได้
- จัดสถานที่ทำงานให้มีการระบายอากาศที่ดี
- ขอแนะนำให้สวมหน้ากากป้องกันการติดเชื้อที่มีระดับ-ใส่กรอง P2

ปฏิบัติตามกฎข้อบังคับสำคัญอื่นๆ ที่เกี่ยวกับวัสดุซึ่งงานที่บังคับใช้ในประเทศของท่าน

► ป้องกันการสะสมของฝุ่นในสถานที่ทำงาน

ฝุ่นสามารถถูกใหม่อย่างง่ายดาย

ทำความสะอาดช่องพ่นซีลขึ้นออก (3) เป็นประจำ สำหรับการทำความสะอาดช่องพ่นซีลขึ้นออกที่อุดตัน ให้ใช้เครื่องมือที่เหมาะสม ต. ย. เช่น แท่งไม้ อากาศอัด และอื่นๆ

► **อย่ายืนมือเข้าไปในช่องพ่นซีลขึ้นออก** ท่านอาจได้รับบาดเจ็บจากชิ้นส่วนที่หมุนอยู่

ใช้เครื่องดูดฝุ่นภายนอกหรือถุงเก็บผง/ซีลขึ้นทุกครั้ง เพื่อจะได้ดูดออกได้อย่างมีประสิทธิภาพที่สุด

การดูดฝุ่นด้วยเครื่องดูดฝุ่นภายนอก (ดูภาพประกอบ N)

ท่อดูด (Ø 35 มม.) (28) (อุปกรณ์เสริม) สามารถเสียบเข้ากับช่องปลอยซีลี้อยได้ทั้งสองด้าน

เชื่อมต่อท่อดูด (28) เข้ากับเครื่องดูดฝุ่น (อุปกรณ์เสริม) คุณสามารถดูภาพรวมเกี่ยวกับการเชื่อมต่อเครื่องดูดฝุ่นต่างๆ ได้ที่ส่วนท้ายของคู่มือการใช้งานฉบับนี้

เครื่องดูดฝุ่นต้องเหมาะสมสำหรับชิ้นงานที่นำมาใส่

ในกรณีที่ดูดฝุ่นที่เป็นอันตรายต่อสุขภาพอย่างยิ่ง ฝุ่นที่อาจก่อให้เกิดมะเร็ง หรือฝุ่นแห้ง ให้ใช้เครื่องดูดฝุ่นพิเศษ

การดูดฝุ่นในตัว (ดูภาพประกอบ N)

สำหรับการดำเนินงานเล็กน้อย คุณสามารถเชื่อมต่อถุงเก็บผง/ซีลี้อย (อุปกรณ์เสริม) (29) ได้ สวมขอตอถุงเก็บฝุ่นเข้าไปในช่องปลอยซีลี้อย (3) อย่างแน่นหนา ภายถุงเก็บผง/ซีลี้อย (29) ออกอย่างทันท่วงที เพื่อให้สามารถเก็บฝุ่นได้อย่างมีประสิทธิภาพต่อไป

การเลือกด้านช่องพ่นซีลขึ้นออก

สามารถค้นโยก (10) ไปทางซ้ายหรือขวาเพื่อเลือกทิศทาง การพ่นซีลขึ้นออก (3) ต้นคันโยก (10) ไปจนถึงตำแหน่งสุดเสมอ ลูกศรที่คันโยกแสดงสัญลักษณ์ทิศทางที่พ่นซีลขึ้นออก (10)

การปฏิบัติงาน

การเริ่มต้นปฏิบัติงาน

การปรับความลึกการใส่

ท่านสามารถปรับความลึกการใส่ได้ด้วยปุ่มปรับ (2) และประสิทธิภาพของซีลขึ้น 0-2.6 โดยใช้มาตรารวดความลึกการใส่ (1) (ชั้นมาตราส่วน = 0.1 มม.)

การเปิด-ปิดเครื่อง

▶ ตรวจสอบให้แน่ใจว่าท่านสามารถใช้งานสวิตช์เปิด-ปิดได้โดยไม่ต้องปล่อยตามจับ

เมื่อต้องการสแตร์ เครื่องมือไฟฟ้า ในขั้นแรกให้กดปุ่มล็อกไม่ให้สวิตช์เปิด-ปิดทำงาน (4) และจากนั้น จึงกดสวิตช์เปิด-ปิด (5) ค้างไว้

เมื่อต้องการปิดสวิตช์ เครื่องมือไฟฟ้าให้ปล่อยนิ้วจากสวิตช์เปิด-ปิด (5)

หมายเหตุ: ด้วยเหตุผลด้านความปลอดภัยจึงไม่สามารถล็อกสวิตช์เปิด-ปิด (5) ได้ จะต้องกดสวิตช์เปิด-ปิดตลอดเวลาทำงาน

ข้อแนะนำในการทำงาน

▶ ถอดแบตเตอรี่ออกจากเครื่องมือไฟฟ้าก่อนทำการปรับแต่งใดๆ ที่เครื่องมือไฟฟ้า (ต. ย. เช่น บำรุงรักษา เปลี่ยนเครื่องมือ ฯลฯ) รวมทั้งเมื่อขนย้ายและเก็บรักษา อันตรายจากการบาดเจ็บหากสวิตช์เปิด-ปิดติดขึ้นอย่างไม่ตั้งใจ

สันพัก (รูปภาพประกอบ O)

สันพัก (32) ช่วยให้สามารถวางเครื่องมือไฟฟ้าลงได้ทันทีหลังจากใช้งานโดยที่ชิ้นงานหรือใบมีดจะไม่ได้รับความเสียหาย ขณะดำเนินงาน สันพัก (32) จะกระดกขึ้นด้านบนและส่วนท้ายของฐานรองเครื่องไสไม้ (11) จะถูกปลดล็อก

หมายเหตุ: ห้ามถอดสันพัก (32) ออก

กระบวนการไส (รูปภาพประกอบ O)

ตั้งความลึกการไสที่ต้องการและวางเครื่องมือไฟฟ้าลงโดยให้ส่วนหน้าของแผ่นฐานกบไฟฟ้า (11) ทาบบนชิ้นงาน

▶ **จับเครื่องมือไฟฟ้าเข้าหาชิ้นงานเมื่อเครื่องเปิดสวิตช์อยู่เท่านั้น** มิฉะนั้นอาจได้รับอันตรายจากการตีกลับหากเครื่องมือตัดติดขัดอยู่ในชิ้นงาน

เปิดสวิตช์เครื่องมือไฟฟ้าและจับเครื่องป้อนไปข้างหน้าอย่างสม่ำเสมอบนพื้นผิวที่ต้องการไส

เพื่อให้ได้ผิวหน้าคุณภาพเยี่ยม ต้องป้อนเครื่องไปข้างหน้าอย่างช้าๆ เท่านั้น และใช้แรงกดลงตรงกลางแผ่นฐานกบไฟฟ้า

เมื่อไสวัสดุแข็ง ต. ย. เช่น ไม้เนื้อแข็ง รวมทั้งเมื่อใช้ความกว้างกบไฟฟ้ามากที่สุด ให้ตั้งความลึกการไสไว้ที่ระดับต่ำเท่านั้น และลดการป้อนเครื่องไปข้างหน้า หากจำเป็น การป้อนเครื่องไปข้างหน้ามากเกินไปจะเพิ่มความจำเป็นจะลดคุณภาพพื้นผิวและอาจทำให้ช่องฟันซี่กบหลุดขึ้นเร็ว

ใบมีดคมเท่านั้นที่จะตัดได้ดีและทำให้เครื่องมือไฟฟ้ามีการใช้งานยืนยาว

สันพัก (32) ที่ประกอบติดอยู่กับเครื่องทำให้สามารถไสชิ้นงาน ณ ตำแหน่งใดๆ ต่อไปหลังจากหยุดพัก:

- วางเครื่องลงบนชิ้นงาน ณ ตำแหน่งที่ต้องการไสต่อไปในลักษณะที่สันพักกลับมู่อยู่ด้านล่าง
- เปิดสวิตช์เครื่องมือไฟฟ้า
- ใช้แรงกดลงบนส่วนหน้าของแผ่นฐานกบไฟฟ้าและดันเครื่องมือไฟฟ้าไปข้างหน้าช้าๆ (๑) ในลักษณะนี้สันพักจะกระดกขึ้นข้างบน (๑) ทำให้ส่วนท้ายของแผ่นฐานกบไฟฟ้าวางทาบกับชิ้นงานอีกครั้ง

- จับเครื่องป้อนไปข้างหน้าอย่างสม่ำเสมอบนพื้นผิวที่จะไส (๑)

การไสลมมูม (รูปภาพประกอบ P)

ร่องรูปตัว V ตรงส่วนหน้าของแผ่นฐานกบไฟฟ้าทำให้สามารถไสขอบลมมูมชิ้นงานได้สะดวกและรวดเร็ว ใช้ร่องรูปตัว V ที่มีขนาดตรงกับความกว้างลมมูมเฉียงที่ต้องการ เมื่อต้องการไสลมมูม ไหวงกบไฟฟ้าโดยให้ร่องรูปตัว V อยู่บนขอบชิ้นงานและเคลื่อนเครื่องไปตามขอบ

ร่องที่จะใช้	ขนาด a (มม.)
ไม่มีร่อง	0-2.5
เล็ก	1.5-4.0
ปานกลาง	2.0-4.5
ใหญ่	3.0-5.5

การไสโดยใช้ตัวหยุดแนวขนาน (รูปภาพประกอบ K-M)

ติดตั้งตัวหยุดแนวขนาน (24) เข้ากับเครื่องมือไฟฟ้าโดยใช้สกรูยึด (27) ติดตั้งตัวหยุดความลึกของบั้งใบ (31) เข้ากับเครื่องมือไฟฟ้าโดยใช้สกรูยึด (30) ทั้งนี้ขึ้นอยู่กับการใช้งาน คลายน็อตล็อก (26) ออก แล้วปรับความกว้างของบั้งใบที่ต้องการบนมาตราส่วน (25) ชั้นน็อตล็อก (26) กลับเข้าที่ใหม่

ปรับความลึกของบั้งใบที่ต้องการให้เหมาะสมโดยใช้ตัวหยุดความลึกของบั้งใบ (31)

ไสหลายๆ ครั้งจนได้ความลึกของบั้งใบที่ต้องการ ไสไม้โดยใช้แรงกดลงบนด้านข้างของเครื่อง

การบำรุงรักษาและการบริการ

การบำรุงรักษาและการทำความสะอาด

▶ **ถอดแบตเตอรี่ออกจากเครื่องมือไฟฟ้าก่อนทำการปรับแต่งใดๆ ที่เครื่องมือไฟฟ้า (ต. ย. เช่น บำรุงรักษา เปลี่ยนเครื่องมือ ฯลฯ) รวมทั้งเมื่อขนย้ายและเก็บรักษา** อันตรายจากการบาดเจ็บหากสวิตช์เปิด-ปิดติดขึ้นอย่างไม่ตั้งใจ

▶ **เพื่อให้ทำงานได้อย่างถูกต้องและปลอดภัย ต้องรักษาเครื่องและช่องระบายอากาศให้สะอาดอยู่เสมอ**

ตรวจสอบให้สันพัก (32) ทำงานได้อย่างอิสระ และทำความสะอาดสันพักเป็นประจำ

เมื่อแปร่งถ่านสึกหรือ เครื่องมือไฟฟ้าจะดับสวิตช์โดยอัตโนมัติ ต้องส่งเครื่องมือไฟฟ้าไปบำรุงรักษาที่ศูนย์บริการลูกค้า สำหรับที่อยู่ กรุงเทพฯ “การบริการหลังการขายและการให้คำปรึกษาการใช้งาน”

การเปลี่ยนสายพาน (รูปภาพประกอบ Q-R)

คลายสกรู (8) และถอดฝาครอบสายพาน (9) ออกถอดสายพานที่เสื่อมสภาพ (33) ออก

ก่อนใส่สายพานเส้นใหม่ (33) เข้า ให้ทำความสะอาดมู่เล่ทั้งสอง (34) และ (35)

วางสายพานเส้นใหม่ (33) บนมู่เล่เล็ก (35) ก่อน จากนั้นใช้มือดันสายพาน (33) เข้าบนมู่เล่ใหญ่ (34) ขณะหมุนมู่เล่

ตรวจสอบให้แน่ใจว่าสายพาน (33) รึงอย่างถูกต้องในร่องตามยาวของมูเล่ (34) และ (35) ใส่ฝาครอบสายพาน (9) กลับเข้าที่ และขันสกรู (8) เข้าให้แน่น

การบริการหลังการขายและการให้คำปรึกษาการใช้งาน

ศูนย์บริการหลังการขายของเรายินดีตอบคำถามของท่านที่เกี่ยวกับการบำรุงรักษาและการซ่อมแซมผลิตภัณฑ์รวมทั้งเรื่องอะไหล่ ภาพเขียนแบบการประกอบและข้อมูลเกี่ยวกับอะไหล่ กรุณาดูใน: www.bosch-pt.com ที่งานที่ปรึกษาของ บอช ยินดีให้ข้อมูลเกี่ยวกับผลิตภัณฑ์ของเราและอุปกรณ์ประกอบต่างๆ เมื่อต้องการสอบถามและสั่งซื้ออะไหล่ กรุณาแจ้งหมายเลขสินค้า 10 หลักบนแผ่นป้ายรุ่นของผลิตภัณฑ์ทุกครั้ง

ไทย

ไทย บริษัท โรเบิร์ต บอช จำกัด
เอฟวายไอ เซ็นเตอร์ อาคาร 1 ชั้น 5
เลขที่ 2525 ถนนพระราม 4
แขวงคลองเตย เขตคลองเตย กรุงเทพฯ 10110
โทร: +66 2012 8888
แฟกซ์: +66 2064 5800
www.bosch.co.th

ศูนย์บริการซ่อมและฝึกอบรม บอช
อาคาร ลาซาลทาวเวอร์ ชั้น G ห้องเลขที่ 2
บ้านเลขที่ 10/11 หมู่ 16
ถนนศรีนครินทร์ ตำบลบางแก้ว อำเภอบางพลี
จังหวัดสมุทรปราการ 10540
ประเทศไทย
โทรศัพท์ 02 7587555
โทรสาร 02 7587525

สามารถดูที่ศูนย์บริการอื่นๆ ได้ที่:

www.bosch-pt.com/serviceaddresses

การขนส่ง

แบตเตอรี่ลิเธียมไอออนที่แนะนำให้ใช้ อยู่ภายใต้ข้อกำหนดแห่งกฎหมายสินค้าอันตราย ผู้ใช้สามารถขนส่งแบตเตอรี่แพ็คโดยทางถนนโดยไม่มีข้อบังคับอื่นหากขนส่งโดยบุคคลที่สาม (เช่น : การขนส่งทางอากาศ หรือตัวแทนขนส่งสินค้า) ต้องปฏิบัติตามข้อกำหนดพิเศษเกี่ยวกับการบรรจุภัณฑ์และการติดฉลาก สำหรับการเตรียมสิ่งของที่จัดส่ง จำเป็นต้องปรึกษาผู้เชี่ยวชาญด้านวัตถุอันตราย ส่งแบตเตอรี่แพ็คเมื่อตัวหุ้มไม่ชำรุดเสียหายเท่านั้น ไข่แถบกาวพันปิดหน้าสัมผัสที่เปิดอยู่ และนำแบตเตอรี่แพ็คใส่กล่องบรรจุโดยไม่ให้เคลื่อนไปมาในกล่องใด นอกจากนี้ กรุณาปฏิบัติตามกฎระเบียบของประเทศซึ่งอาจมีรายละเอียดเพิ่มเติม

การกำจัดขยะ



เครื่องมือไฟฟ้า แบตเตอรี่แพ็ค อุปกรณ์ประกอบ และที่บหนอ ต้องนำ

ไปแยกประเภทวัสดุเพื่อนำกลับมาใช้ใหม่โดยไม่ทำลายสภาพแวดล้อม

อย่าทิ้งเครื่องมือไฟฟ้าและแบตเตอรี่แพ็ค/แบตเตอรี่ที่นำกลับมาใช้ใหม่ได้ ลงในขยะบ้าน!

แบตเตอรี่แพ็ค/แบตเตอรี่:

ลิเธียม ไอออน:

กรุณาปฏิบัติตามคำแนะนำในบทการขนส่ง (ดู "การขนส่ง", หน้า 68)

Bahasa Indonesia

Petunjuk Keselamatan

Petunjuk keselamatan umum untuk perkakas listrik

PERINGATAN Baca semua peringatan, petunjuk, ilustrasi, dan spesifikasi keselamatan yang diberikan bersama perkakas listrik ini. Kesalahan dalam menjalankan petunjuk di bawah ini dapat mengakibatkan sengatan listrik, kebakaran, dan/atau cedera serius.

Simpanlah semua peringatan dan petunjuk untuk penggunaan di masa mendatang.

Istilah "perkakas listrik" dalam peringatan mengacu pada perkakas listrik yang dioperasikan dengan listrik (menggunakan kabel) atau perkakas listrik yang dioperasikan dengan baterai (tanpa kabel).

Keamanan tempat kerja

- ▶ **Jaga kebersihan dan pencahayaan area kerja.** Area yang berantakan atau gelap dapat memicu kecelakaan.
- ▶ **Jangan mengoperasikan perkakas listrik di lingkungan yang dapat memicu ledakan, seperti adanya cairan, gas, atau debu yang mudah terbakar.** Perkakas listrik dapat memancarkan bunga api yang kemudian mengakibatkan debu atau uap terbakar.
- ▶ **Jauhkan dari jangkauan anak-anak dan pengamat saat mengoperasikan perkakas listrik.** Gangguan dapat menyebabkan hilangnya kendali.

Keamanan listrik

- ▶ **Steker perkakas listrik harus sesuai dengan stopkontak. Jangan pernah memodifikasi steker. Jangan menggunakan steker adaptor bersama dengan perkakas listrik yang terhubung dengan sistem grounding.** Steker yang tidak dimodifikasi dan

stopkontak yang cocok akan mengurangi risiko sengatan listrik.

- ▶ **Hindari kontak badan dengan permukaan yang terhubung dengan sistem grounding, seperti pipa, radiator, kompor, dan lemari es.** Terdapat peningkatan risiko terjadinya sengatan listrik jika badan Anda terhubung dengan sistem grounding.
- ▶ **Perkakas listrik tidak boleh terpapar hujan atau basah.** Air yang masuk ke dalam perkakas listrik menambah risiko terjadinya sengatan listrik.
- ▶ **Jangan menyalahgunakan kabel. Jangan gunakan kabel untuk membawa, menarik, atau melepas steker perkakas listrik. Jauhkan kabel dari panas, minyak, tepi yang tajam, atau komponen yang bergerak.** Kabel listrik yang rusak atau tersangkut menambah risiko terjadinya sengatan listrik.
- ▶ **Saat mengoperasikan perkakas listrik di luar ruangan, gunakan kabel ekstensi yang sesuai untuk penggunaan di luar ruangan.** Penggunaan kabel yang cocok untuk pemakaian di luar ruangan mengurangi risiko terjadinya sengatan listrik.
- ▶ **Jika perkakas listrik memang harus dioperasikan di tempat yang lembap, gunakan pemutus arus listrik residu (RCD).** Penggunaan RCD akan mengurangi risiko terjadinya sengatan listrik.

Keselamatan personel

- ▶ **Tetap waspada, perhatikan aktivitas yang sedang dikerjakan dan gunakan akal sehat saat mengoperasikan perkakas listrik. Jangan gunakan perkakas listrik saat mengalami kelelahan atau di bawah pengaruh narkoba, alkohol, atau obat-obatan.** Jika perkakas listrik dioperasikan dengan daya konsentrasi yang rendah, hal tersebut dapat menyebabkan cedera serius.
- ▶ **Gunakan peralatan pelindung diri. Selalu kenakan pelindung mata.** Penggunaan perlengkapan pelindung seperti penutup telinga, helm, sepatu anti licin, dan masker debu akan mengurangi cedera.
- ▶ **Hindari start yang tidak disengaja. Pastikan switch berada di posisi off sebelum perkakas listrik dihubungkan ke sumber daya listrik dan/atau baterai, diangkat, atau dibawa.** Membawa perkakas listrik dengan jari menempel pada tombol atau perkakas listrik dalam keadaan hidup dapat memicu kecelakaan.
- ▶ **Singkirkan kunci penyetel atau kunci pas sebelum menghidupkan perkakas listrik.** Perkakas atau kunci pas yang masih menempel pada komponen perkakas listrik yang berputar dapat menyebabkan cedera.
- ▶ **Jangan melampaui batas. Berdirilah secara mantap dan selalu jaga keseimbangan.** Hal ini akan memberikan kontrol yang lebih baik terhadap perkakas listrik pada situasi yang tak terduga.
- ▶ **Kenakan pakaian dengan wajar. Jangan mengenakan perhiasan atau pakaian yang longgar. Jauhkan rambut dan pakaian dari komponen yang bergerak.**

Pakaian yang longgar, rambut panjang, atau perhiasan dapat tersangkut dalam komponen yang bergerak.

- ▶ **Jika disediakan perangkat untuk sambungan pengisapan debu dan alat pengumpulan, pastikan perangkat tersebut terhubung dan digunakan dengan benar.** Penggunaan alat pengumpulan dapat mengurangi bahaya yang disebabkan oleh debu.
- ▶ **Jangan berpuas diri dan mengabaikan prinsip keselamatan karena terbiasa mengoperasikan perkakas.** Tindakan yang kurang hati-hati dapat mengakibatkan cedera serius dalam waktu sepersekian detik.

Penggunaan dan pemeliharaan perkakas listrik

- ▶ **Jangan memaksakan perkakas listrik. Gunakan perkakas listrik yang sesuai untuk pekerjaan yang dilakukan.** Perkakas listrik yang sesuai akan bekerja dengan lebih baik dan aman sesuai tujuan penggunaan.
- ▶ **Jangan gunakan perkakas listrik dengan switch yang tidak dapat dioperasikan.** Perkakas listrik yang switchnya yang tidak berfungsi dapat menimbulkan bahaya dan harus diperbaiki.
- ▶ **Lepaskan steker dari sumber listrik dan/atau lepas baterai, jika dapat dilepaskan dari perkakas listrik sebelum menyetel, mengganti aksesoris, atau menyimpan perkakas listrik.** Tindakan preventif akan mengurangi risiko menghidupkan perkakas listrik secara tidak disengaja.
- ▶ **Jauhkan dan simpan perkakas listrik dari jangkauan anak-anak dan jangan biarkan orang-orang yang tidak mengetahui cara menggunakan perkakas listrik, mengoperasikan perkakas listrik.** Perkakas listrik dapat membahayakan jika digunakan oleh orang-orang yang tidak terlatih.
- ▶ **Lakukan pemeliharaan perkakas listrik dan aksesoris. Periksa komponen yang bergerak apabila tidak lurus atau terikat, kerusakan komponen, dan kondisi lain yang dapat mengganggu pengoperasian perkakas listrik. Apabila rusak, perbaiki perkakas listrik sebelum digunakan.** Kecelakaan sering terjadi karena perkakas listrik tidak dirawat dengan baik.
- ▶ **Jaga ketajaman dan kebersihan alat.** Alat pemotong dengan pisau pemotong yang tajam dan dirawat dengan baik tidak akan mudah tersangkut dan lebih mudah dikendalikan.
- ▶ **Gunakan perkakas listrik, aksesoris, dan komponen perkakas dll sesuai dengan petunjuk ini, dengan mempertimbangkan kondisi kerja dan pekerjaan yang akan dilakukan.** Penggunaan perkakas listrik untuk tujuan berbeda dari fungsinya dapat menyebabkan situasi yang berbahaya.
- ▶ **Jaga gagang dan permukaan genggam agar tetap kering, bersih, dan bebas dari minyak dan lemak.** Gagang dan permukaan genggam yang licin tidak menjamin keamanan kerja dan kontrol alat yang baik pada situasi yang tidak terduga.

Penggunaan dan pemeliharaan perkakas baterai

- ▶ **Isi ulang daya hanya dengan pengisi daya yang ditentukan oleh produsen.** Pengisi daya yang sesuai untuk satu jenis set baterai dapat menyebabkan risiko kebakaran apabila digunakan dengan set baterai lain.
- ▶ **Hanya gunakan perkakas listrik dengan set baterai yang dirancang khusus.** Penggunaan set baterai lain dapat menyebabkan risiko cedera dan kebakaran.
- ▶ **Apabila set baterai tidak digunakan, jauhkan dari benda logam lainnya, seperti klip kertas, koin, kunci, paku, sekrup, atau benda logam kecil lainnya yang dapat membuat sambungan dari satu terminal ke terminal lainnya.** Memendekkan terminal baterai dapat menyebabkan kebakaran atau api.
- ▶ **Cairan dapat keluar dari baterai jika baterai tidak digunakan dengan benar; hindari kontak. Jika terjadi kontak secara tidak disengaja, bilas dengan air. Jika cairan mengenai mata, segera hubungi bantuan medis.** Cairan yang keluar dari baterai dapat menyebabkan iritasi atau luka bakar.
- ▶ **Jangan gunakan set baterai atau perkakas yang rusak atau telah dimodifikasi.** Baterai yang rusak atau telah dimodifikasi dapat menimbulkan kejadian yang tak terduga seperti kebakaran, ledakan, atau risiko cedera.
- ▶ **Jangan meletakkan set baterai atau perkakas di dekat api atau suhu tinggi.** Paparan terhadap api atau suhu di atas 130 °C dapat memicu ledakan.
- ▶ **Ikuti semua petunjuk pengisian daya dan jangan mengisi daya set baterai atau perkakas di luar rentang suhu yang ditentukan dalam petunjuk.** Pengisian daya yang tidak tepat atau di luar rentang suhu yang ditentukan dapat merusak baterai dan meningkatkan risiko kebakaran.

Servis

- ▶ **Minta teknisi berkualifikasi untuk menyervis perkakas listrik dengan hanya menggunakan suku cadang yang identik.** Dengan demikian, hal ini akan memastikan keamanan perkakas listrik.
- ▶ **Jangan pernah melakukan servis pada baterai yang telah rusak.** Servis baterai hanya boleh dilakukan oleh produsen atau penyedia servis resmi.

Petunjuk keselamatan untuk mesin ketam

- ▶ **Tunggu hingga pemotong berhenti sebelum meletakkan alat.** Pemotong yang berputar dan terbuka dapat mengunci pada permukaan dan dapat menyebabkan kehilangan kendali serta cedera serius.
- ▶ **Gunakan penjepit atau cara lain yang praktis untuk mengamankan dan menopang benda kerja pada permukaan yang stabil.** Benda kerja dapat goyah atau kehilangan kendali jika dipegang dengan tangan atau ditahan dengan tubuh Anda.
- ▶ **Hidupkan terlebih dahulu perkakas listrik, kemudian perkakas listrik didekatkan pada benda kerja.** Jika tidak, terdapat bahaya sentakan jika alat kerja tersangkut dalam benda yang dikerjakan.

- ▶ **Jangan memegang chip ejector.** Anda dapat mengalami cedera akibat komponen yang berputar.
- ▶ **Jangan pernah mengetam pada benda logam, paku, atau sekrup.** Mata ketam dan as mata ketam dapat rusak dan mengakibatkan getaran yang kuat.
- ▶ **Gunakanlah alat detektor logam yang cocok untuk mencari kabel dan pipa yang tidak terlihat atau hubungi perusahaan pengadaan setempat.** Sentuhan dengan kabel-kabel listrik dapat mengakibatkan api dan kontak listrik. Pipa gas yang dirusak dapat mengakibatkan ledakan. Pipa air yang dirusak mengakibatkan barang-barang menjadi rusak.
- ▶ **Saat bekerja, selalu pegang alat ketam sedemikian rupa agar pelat dasar terletak rata pada benda kerja.** Jika tidak, mesin ketam dapat oleng dan mengakibatkan cedera.
- ▶ **Asap dapat keluar apabila terjadi kerusakan atau penggunaan yang tidak tepat pada baterai. Baterai dapat terbakar atau meledak.** Biarkan udara segar mengalir masuk dan kunjungi dokter apabila mengalami gangguan kesehatan. Asap tersebut dapat mengganggu saluran pernafasan.
- ▶ **Jangan membuka baterai.** Ada bahaya terjadinya korsleting.
- ▶ **Baterai dapat rusak akibat benda-benda lancip, seperti jarum, obeng, atau tekanan keras dari luar.** Hal ini dapat menyebabkan terjading hubungan singkat internal dan baterai dapat terbakar, berasap, meledak, atau mengalami panas berlebihan.
- ▶ **Hanya gunakan baterai pada produk yang dibuat oleh produsen.** Hanya dengan cara ini, baterai dapat terlindung dari kelebihan muatan.



Lindungi baterai dari panas, misalnya juga dari paparan sinar matahari dalam waktu yang lama, api, kotoran, air dan kelembapan. Terdapat risiko ledakan dan korsleting.



- ▶ **Pegang erat perkakas listrik dengan kedua tangan selama mengoperasikannya dan pastikan Anda berdiri di posisi aman.** Gunakan perkakas listrik dengan kedua tangan secara hati-hati.

Spesifikasi produk dan performa



Bacalah semua petunjuk keselamatan dan petunjuk penggunaan. Kesalahan dalam menjalankan petunjuk keselamatan dan petunjuk penggunaan dapat mengakibatkan kontak listrik, kebakaran, dan/atau luka-luka yang berat.

Perhatikan ilustrasi yang terdapat pada sisi sampul panduan pengoperasian.

Tujuan penggunaan

Perkakas listrik ini cocok untuk mengetam bahan kayu seperti misalnya balok dan papan pada permukaan yang

stabil. Perangkat listrik ini juga cocok untuk membuang pinggiran yang tajam dan untuk menyetam bertingkat.

Ilustrasi komponen

Penomoran ilustrasi komponen mengacu pada gambar perangkat listrik pada halaman grafis.

- (1) Skala kedalaman penyetaman
- (2) Kenop putar untuk pengaturan kedalaman penyetaman (permukaan genggam berisolator)
- (3) Ejektor serbuk (opsional: kanan/kiri)
- (4) Kunci pengaman untuk tombol on/off
- (5) Tombol on/off
- (6) Baterai^{a)}
- (7) Tombol pelepas baterai^{a)}
- (8) Sekrup untuk pelindung tali ban
- (9) Pelindung tali ban
- (10) Tuas untuk menyetel arah saluran serbuk
- (11) Tapak ketam
- (12) Baut V
- (13) Kunci soket gagang T/kunci torx
- (14) Sekrup pengencang untuk rahang penjepit
- (15) Rahang penjepit
- (16) Kepala mata ketam
- (17) Alur pemandu untuk mata ketam
- (18) Mata ketam HSS
- (19) Penahan mata ketam HSS
- (20) Sekrup pengencang untuk penahan mata ketam HSS
- (21) Alat pengasah mata ketam HSS
- (22) Alat bantu (mistar) untuk mata ketam HSS
- (23) Mata ketam HM/TC^{a)}
- (24) Mistar sejajar
- (25) Skala untuk lebar potongan
- (26) Mur pengunci untuk pengaturan lebar potongan
- (27) Sekrup pengencang untuk mistar sejajar
- (28) Slang pengisap (diameter 35 mm)^{a)}
- (29) Kantong debu/serbuk^{a)}
- (30) Sekrup pengencang untuk penahan kedalaman potongan^{a)}
- (31) Penahan kedalaman potongan^{a)}
- (32) Kaki sandaran
- (33) Tali ban penggerak
- (34) Roda tali ban besar
- (35) Roda tali ban kecil
- (36) Handel (permukaan genggam berisolator)
- (37) Adaptor untuk mengubah mata ketam HSS ke TC^{a)}

(38) Indikator level pengisian daya baterai pada perangkat listrik

- a) **Aksesori yang digambarkan atau yang dijelaskan tidak termasuk dalam lingkup pengiriman standar. Semua aksesori yang ada dapat ditemukan dalam program aksesori kami.**

Data teknis

Mesin ketam	GHO 185-LI	
Nomor barang	3 601 EB5 0...	
Tegangan nominal	V $\overline{\text{~}}$	18
Kecepatan idle ^{A)}	min ⁻¹	14000
Kedalaman penyetaman	mm	0–2,6
Kedalaman potongan	mm	0–9
Lebar penyetaman maks.	mm	82
Berat sesuai dengan EPTA-Procedure 01:2014 ^{B)}	kg	2,6–3,7
Suhu sekitar yang direkomendasikan saat pengisian daya	°C	0 ... +35
Suhu sekitar yang diizinkan saat pengoperasian ^{C)} dan saat penyimpanan	°C	-20 ... +50
Baterai yang direkomendasikan	GBA 18V... ProCORE 18V...	
Perangkat pengisi daya yang direkomendasikan	GAL 18... GAX 18... GAL 36...	

A) Diukur pada suhu 20–25 °C dengan baterai **GBA 18V 4.0Ah**.

B) tergantung pada baterai yang digunakan

C) daya terbatas pada suhu < 0 °C

Nilai dapat berbeda-beda bergantung pada produk dan mungkin tunduk pada kondisi lingkungan serta penggunaan. Informasi lebih lanjut pada www.bosch-professional.com/wac.

Baterai

Bosch menjual perangkat listrik berdaya baterai bahkan tanpa baterai yang disertakan. Keterangan apakah lingkup pengiriman perangkat listrik termasuk dengan baterai dapat ditemukan di kemasan.

Mengisi daya baterai

- **Hanya gunakan pengisi daya yang tercantum pada data teknis.** Hanya pengisi daya ini yang sesuai dengan baterai li-ion yang digunakan pada perangkat listrik Anda.

Catatan: Baterai lithium-ion dikirim dalam keadaan terisi daya sebagian berdasarkan peraturan transportasi internasional. Untuk menjamin daya penuh dari baterai, isi daya baterai hingga penuh sebelum menggunakannya untuk pertama kali.

Memasang baterai

Masukkan baterai yang telah terisi daya ke dalam dudukan baterai hingga baterai terkunci.

Melepas baterai



Untuk melepas baterai, tekan tombol pelepas baterai dan keluarkan baterai. **Jangan melepas baterai dengan paksa.**

Baterai memiliki 2 level penguncian untuk mencegah baterai terlepas saat tombol pelepas baterai ditekan secara tidak sengaja. Selama baterai terpasang di dalam perkakas listrik, baterai ditahan posisinya menggunakan pegas.

Indikator level pengisian daya baterai pada baterai

Catatan: Tidak semua jenis baterai memiliki indikator level pengisian daya.

LED berwarna hijau dari indikator level pengisian daya baterai menampilkan level pengisian daya baterai. Atas dasar keselamatan, permintaan level pengisian daya baterai hanya dapat dilakukan saat perkakas listrik dalam keadaan berhenti.

Tekan tombol indikator level pengisian daya baterai  atau  untuk menampilkan level pengisian baterai. Hal ini juga dapat dilakukan saat baterai dilepas.

Apabila LED tidak menyala setelah menekan tombol indikator level pengisian daya, terdapat kerusakan pada baterai dan baterai harus diganti.

Tipe baterai GBA 18V...



LED	Kapasitas
Lampu permanen hijau 3×	60–100%
Lampu permanen hijau 2×	30–60%
Lampu permanen hijau 1×	5–30%
Lampu berkedip hijau 1×	0–5%

Tipe baterai ProCORE18V...



LED	Kapasitas
Lampu permanen hijau 5×	80–100%
Lampu permanen hijau 4×	60–80%
Lampu permanen hijau 3×	40–60%
Lampu permanen hijau 2×	20–40%
Lampu permanen hijau 1×	5–20%
Lampu berkedip hijau 1×	0–5%

Indikator level pengisian daya baterai pada perkakas listrik

Saat perkakas listrik dihidupkan, indikator level pengisian daya baterai pada perkakas listrik menandakan kapasitas baterai yang tersisa atau muatan berlebih.

LED	Kapasitas
Lampu permanen hijau 3×	60–100%

LED	Kapasitas
Lampu permanen hijau 2×	30–60%
Lampu permanen hijau 1×	5–30%
Lampu berkedip hijau 1×	0–5%

LED	Arti
Lampu berkedip 3 ×	Perlindungan muatan berlebih telah terpicu
Lampu berkedip pada LED tengah	Suhu baterai di luar rentang suhu pengoperasian dan/atau pelindung suhu perkakas listrik telah terpicu

Petunjuk untuk penanganan baterai yang optimal

Lindungilah baterai dari kelembapan dan air.

Simpan baterai hanya pada rentang suhu antara –20 °C hingga 50 °C. Janganlah meletakkan baterai di dalam mobil, misalnya pada musim panas.

Bersihkanlah lubang ventilasi baterai dengan kuas yang lunak, bersih dan kering secara berkala.

Waktu pengoperasian yang berkurang secara signifikan setelah pengisian daya menunjukkan bahwa baterai telah habis dan perlu diganti.

Perhatikan petunjuk untuk membuang.

Cara memasang

- ▶ **Sebelum melakukan semua pekerjaan pada perkakas listrik (misalnya merawat, mengganti alat kerja, dsb.) serta selama transpor dan penyimpanan, keluarkanlah baterai dari perkakas listrik.** Terdapat risiko cedera apabila tombol untuk menghidupkan dan mematikan dioperasikan tanpa sengaja.

Memilih mata ketam

Perkakas listrik bisa dilengkapi dengan berbagai jenis mata ketam.

Dengan memasang adaptor (**37**) (aksesori), perkakas listrik mata ketam baja cepat HSS (**18**) dapat diubah ke HM/TC (**23**).

Jika mengganti mata ketam, gantilah selalu kedua mata ketam pada waktu yang sama karena jika tidak, bobot menjadi tidak seimbang dan menyebabkan vibrasi yang bisa memperpendek masa pakai perkakas listrik.

Mengganti mata ketam baja cepat HSS

- ▶ **Peringatan saat mengganti mata ketam baja cepat. Jangan menyentuh mata ketam pada mata pisaunya.** Anda bisa terluka karena terkena pada mata pisau yang tajam.

Melepaskan mata ketam (lihat gambar A–C)

- Untuk mengganti mata ketam, putar kepala mata ketam (**16**) hingga rahang penjepit (**15**) berada sejajar dengan tapak ketam (**11**).

- Kendurkan 3 sekrup pengencangan (**14**) menggunakan kunci soket gagang T (**13**), lalu lepaskan rahang penjepit (**15**).
- Keluarkan penahan (**19**) bersama dengan mata ketam (**18**) dari kepala mata ketam (**16**) atau alur pemandu (**17**).
- Putar kepala mata ketam sebesar 180° dan lepaskan mata ketam kedua.

Catatan: Sebelum mengganti atau mengasah mata ketam, lepaskan penahan (**19**) dengan mengendurkan sekrup pengencang (**20**).

Mengasah mata ketam HSS (lihat gambar D)

Dengan menggunakan alat pengasah (**21**) (aksesori) dan batu asahan standar, mata ketam HSS yang tumpul atau aus dapat diasah agar menjadi tajam.

Masukkan kedua mata ketam ke dalam alat pengasah dan kencangkan dengan baut kupu-kupu. Pastikan kedua mata ketam masuk hingga maksimal.

Gerak-gerakkan kedua mata ketam yang dipasangkan dalam alat bantu untuk mengasah secara teratur dan dengan tekanan yang ringan di atas batu asahan.

Catatan: Mata ketam boleh ditajamkan maksimal 6 mm pada lebar minimal 23 mm. Setelah itu kedua mata ketam harus diganti.

Memasang mata ketam (lihat gambar E-F)

Sebelum memasang kembali mata ketam yang baru atau yang telah diasah, bersihkan kepala mata ketam (**16**) dan mata ketam (**18**) serta penahan (**19**) jika perlu. Bersihkan mata ketam yang sangat kotor dan bergetah dengan spiritus atau minyak tanah.

Catatan: Mata ketam yang baru atau yang telah diasah harus selalu disesuaikan ke pengaturan ketinggian yang tepat sebelum dipasang.

Alat bantu (mistar) (**22**) (aksesori) digunakan untuk mengatur ketinggian mata ketam. Letakkan mata ketam (**18**) dan penahan (**19**) pada alat bantu (mistar). Pastikan penahan (**19**) terpasang pada baut yang tersedia. Tekan mata ketam (**18**) ke mistar dan kencangkan penahan (**19**) pada posisi tersebut dengan sekrup pengencang (**20**). Dengan demikian, penyesuaian ketinggian yang tepat tercapai secara otomatis.

Mata ketam harus dipasang dan disejajarkan **di tengah tapak ketam** (**11**). Kemudian kencangkan 3 sekrup pengencangan (**14**) menggunakan kunci soket gagang T (**13**). Untuk itu, patuhi urutan pengencangan yang tercantum (①②③) pada rahang penjepit (**15**).

Catatan: Sebelum memulai menggunakan, periksa kekencangan baut (**14**). Putar kepala mata ketam (**16**) menggunakan tangan dan pastikan mata ketam bergerak lurus.

Mengganti mata ketam baja HM/TC

- **Peringatan saat mengganti mata ketam baja cepat.**
Jangan menyentuh mata ketam pada mata pisanya.

Anda bisa terluka karena terkena pada mata pisau yang tajam.

Gunakan mata ketam HM/TC **Bosch** asli.

Mata ketam yang terbuat dari karbida (HM/TC) mempunyai 2 mata pisau dan dapat dibolak-balik. Jika kedua ujung mata pisau tumpul, mata ketam (**23**) harus diganti. Mata ketam HM/TC tidak boleh diasah.

Melepaskan mata ketam (lihat gambar G-H)

- Saat membalikkan atau mengganti mata ketam, putar kepala mata ketam (**16**) hingga rahang penjepit (**15**) berada sejajar dengan tapak ketam (**11**).
- Kendurkan ketiga baut pengencang (**14**) menggunakan kunci torx (**13**) sebanyak 1–2 putaran. Rahang penjepit (**15**) tidak boleh dilepas.
- Putar sedikit kepala mata ketam lalu geser keluar mata ketam (**23**) menggunakan serpihan kayu dari kepala mata ketam (**16**).
- Putar kepala mata ketam sebesar 180° dan lepaskan mata ketam kedua.

Memasang mata ketam (lihat gambar I-J)

Alur pemandu dari mata ketam menjamin penyetulan ketinggian yang selalu rata saat mata ketam diganti atau dibalik.

Jika perlu, bersihkan dudukan mata ketam di dalam kepala mata ketam (**16**) dan mata ketam (**23**).

Perhatikan saat memasang mata ketam, posisi mata ketam berada di dalam pemandu kepala mata ketam (**16**).

Mata ketam harus dipasang dan posisinya berada **di tengah tapak ketam** (**11**). Kemudian kencangkan ketiga baut pengencang (**14**) menggunakan kunci torx (**13**). Patuhi urutan pengencangan yang tercantum (①②③) pada rahang penjepit (**15**).

Catatan: Sebelum memulai menggunakan, periksa kekencangan baut (**14**). Putar kepala mata ketam (**16**) menggunakan tangan dan pastikan mata ketam bergerak lurus.

Penggunaan peralatan untuk mengganti mata ketam

Mengganti mata ketam HSS dengan HM/TC

Dengan adaptor HM/TC, mesin ketam yang dilengkapi dengan mata ketam HSS dapat diubah ke HM/TC.

- Kendurkan 3 baut pengencang (**14**) menggunakan kunci torx (**13**) lalu lepaskan rahang penjepit (**15**).
- Geser keluar penahan (**19**) bersama dengan mata ketam (**18**) dari kepala mata ketam (**16**) atau alur ganjalan (**17**).
- Lepaskan sekrup (**20**).
- Pasang penahan (**19**) dan adaptor (**37**) ke dalam alat bantu (mistar) (**22**). Penahan (**19**) harus terpasang kencang pada alat bantu (mistar) ke dalam lekuk (lihat gambar **S**).
- Dorong mata ketam HM/TC (**23**) ke dalam adaptor (**37**). Bar pada adaptor (**37**) harus dikunci ke dalam lekuk pada mata ketam HM/TC (lihat gambar **S**).

- Kencangkan sekrup **(20)**.
- Pasang penahan **(19)** bersama dengan adaptor **(37)** dan mata ketam **(18)** ke dalam kepala mata ketam **(16)** atau alur ganjalan **(17)**.
- Letakkan rahang penjepit **(15)** dan putar baut pengencang **(14)** namun jangan terlalu kencang.
- Mata ketam harus dipasang dan posisinya berada **di tengah tapak ketam (11)**. Kemudian kencangkan ketiga baut pengencang **(14)** menggunakan kunci torx **(13)**. Ikuti urutan pengencangan yang tercantum (①②③) pada rahang penjepit **(15)**.

Mengganti mata ketam HM/TC dengan mata ketam HSS

Mesin ketam yang dilengkapi mata ketam HM/TC dapat diubah menjadi mata ketam HSS.

- Kendurkan 3 baut pengencang **(14)** menggunakan kunci torx **(13)** lalu lepaskan rahang penjepit **(15)**.
- Geser keluar penahan **(19)** bersama dengan mata ketam **(18)** atau adaptor HM/TC **(37)** dari kepala mata ketam **(16)**.
- Lepaskan sekrup **(20)**.
- Pasang mata ketam HSS yang telah dipasang bersama (lihat „Memasang mata ketam (lihat gambar E-F)“, Halaman 73) dan atur posisinya **di tengah tapak ketam (11)**.
- Letakkan rahang penjepit **(15)** lalu kencangkan ketiga baut pengencang **(14)** menggunakan kunci torx **(13)**. Ikuti urutan pengencangan yang tercantum (①②③) pada rahang penjepit **(15)**.

Pengisap debu/serbuk gergaji

Debu dari bahan-bahan seperti cat yang mengandung timbal, beberapa jenis kayu, bahan mineral dan logam dapat berbahaya bagi kesehatan. Menyentuh atau menghirup debu tersebut dapat mengakibatkan reaksi alergi dan/atau penyakit saluran pernapasan bagi pengguna atau orang yang berada di dekatnya.

Beberapa debu tertentu seperti misalnya debu kayu pohon ek atau pohon fagus silvatica dianggap dapat mengakibatkan penyakit kanker, terutama dalam campuran dengan bahan-bahan tambahan untuk pengolahan kayu (kromat, obat pengawet kayu). Bahan-bahan yang mengandung asbestos hanya boleh dikerjakan oleh orang-orang yang ahli.

- Gunakanlah hanya pengisap debu yang cocok untuk mengisap bahan yang dikerjakan.
- Pastikan terdapat ventilasi udara yang baik di tempat kerja.
- Dianjurkan untuk memakai masker anti debu dengan filter kelas P2.

Taatilah peraturan-peraturan untuk bahan-bahan yang dikerjakan yang berlaku di negara Anda.

► **Hindari debu yang banyak terkumpul di tempat kerja.**

Debu dapat tersulut dengan mudah.

Bersihkan ejektor serbuk **(3)** secara berkala. Gunakan alat yang sesuai untuk membersihkan ejektor serbuk yang tersumbat, misalnya serpihan kayu, udara bertekanan, dll.

► **Jangan memegang chip ejector.** Anda dapat mengalami cedera akibat komponen yang berputar.

Untuk menjamin pengisapan yang optimal, gunakan selalu sarana pengisapan lain atau kantong debu/serbuk.

Ekstraksi debu eksternal (lihat gambar N)

Slang pengisap (diameter 35 mm) **(28)** (aksesori) dapat dipasang ke ejektor serbuk pada kedua sisi.

Hubungkan slang pengisap **(28)** dengan pengisap debu (aksesori). Ikhtisar mengenai sambungan pada pengisap debu yang berbeda dapat ditemukan pada bagian akhir panduan ini.

Pengisap debu harus cocok untuk bahan yang dikerjakan.

Gunakan mesin pengisap khusus saat melakukan pengisapan debu kering atau debu yang dapat membahayakan kesehatan serta memicu kanker.

Ekstraksi otomatis (lihat gambar N)

Kantong debu/serbuk (aksesori) **(29)** dapat disambungkan saat melakukan pengerjaan ringan. Sambungkan nozel pengisap debu ke dalam ejektor serbuk **(3)**. Kosongkan kantong debu/serbuk **(29)** secara berkala agar pengumpulan debu tetap terjaga optimal.

Arah ejektor serbuk yang dapat dipilih

Dengan menggunakan tuas **(10)**, ejektor serbuk **(3)** dapat disetel arahnya ke kiri atau ke kanan. Tekan selalu tuas untuk menyatel **(10)** ke posisi maksimal hingga mengunci. Arah ejektor serbuk yang dipilih akan ditampilkan dengan simbol tanda panah pada tuas **(10)**.

Penggunaan

Cara penggunaan

Mengatur kedalaman pengetaman

Melalui kenop putar **(2)**, kedalaman pengetaman dapat diatur sedalam **0–2,6 mm** dengan skala kedalaman pengetaman **(1)** (pembagian skala = **0,1 mm**).

Menyalakan/mematikan

► **Pastikan bahwa Anda dapat mengoperasikan tombol untuk menghidupkan dan mematikan tanpa perlu melepaskan handle.**

Untuk **pengoperasian** perkakas listrik, tekan switch pengaman **(4)** terlebih dulu, **kemudian** tekan dan tahan tombol on/off **(5)**.

Untuk **mematikan** perkakas listrik, lepaskan tombol on/off **(5)**.

Catatan: Demi alasan keamanan, tombol on/off **(5)** tidak dapat dikunci, melainkan tombol harus selalu ditekan selama perkakas dioperasikan.

Petunjuk pengoperasian

► **Sebelum melakukan semua pekerjaan pada perkakas listrik (misalnya merawat, mengganti alat kerja, dsb.) serta selama transpor dan penyimpanan, keluarkanlah baterai dari perkakas listrik.** Terdapat risiko cedera

apabila tombol untuk menghidupkan dan mematikan dioperasikan tanpa sengaja.

Kaki sandaran (lihat gambar O)

Kaki sandaran (32) memungkinkan perkakas listrik dihentikan langsung setelah proses pengerjaan selesai tanpa menimbulkan bahaya kerusakan benda kerja atau mata ketam. Selama proses pengerjaan, kaki sandaran (32) digerakkan ke atas dan bagian belakang tapak ketam (11) akan terlepas.

Catatan: Kaki sandaran (32) tidak boleh dilepas.

Mengetam (lihat gambar O)

Atur ketebalan pengetaman yang diinginkan dan atur posisi perkakas listrik dengan bagian depan tapak ketam (11) berada di permukaan benda kerja.

- ▶ **Hidupkan terlebih dahulu perkakas listrik, kemudian perkakas listrik didekatkan pada benda kerja.** Jika tidak, terdapat bahaya sentakan jika alat kerja tersangkut dalam benda yang dikerjakan.

Hidupkan perkakas listrik dan dorongkan perkakas listrik dengan tekanan yang sama pada permukaan yang dikerjakan.

Untuk mencapai hasil kerja permukaan yang bagus, dorong perkakas listrik dengan tekanan yang ringan dan bebaskan tekanan ke bagian tengah dari tapak ketam.

Jika mengerjakan bahan-bahan yang keras, misalnya kayu keras, serta jika memanfaatkan kelebaran mengetam maksimal, setel ketebalan pengetaman yang kecil dan jika perlu, kurangi tekanan mendorong.

Tekanan yang terlalu kuat mengurangi mutu permukaan yang dihasilkan dan saluran serbuk bisa tersumbat.

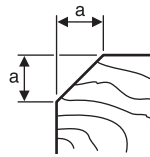
Hanya dengan mata ketam yang tajam diperoleh hasil kerja yang bagus sehingga memelihara daya tahan perkakas listrik.

Sandaran kaki (32) yang terintegrasi memungkinkan proses mengetam berlanjut setelah terhenti di area-area tertentu pada benda kerja:

- Letakkan perkakas listrik dengan kaki sandaran dibalikkan ke bawah pada benda yang dikerjakan di mana pengetaman akan dilanjutkan.
- Hidupkan perkakas listrik.
- Gunakan pegangan untuk mendorong pada bagian depan tapak ketam dan dorong perkakas listrik perlahan ke depan (1). Hal ini akan menggerakkan sandaran kaki (2) ke atas sehingga bagian belakang tapak ketam akan kembali berada di permukaan benda kerja.
- Jalankan perkakas listrik dengan tekanan yang stabil pada permukaan atas benda yang dikerjakan (3).

Melakukan chamfering pada sisi tepi (lihat gambar P)

Baut V yang terdapat pada bagian depan tapak ketam memungkinkan proses chamfering pada tepi benda kerja menjadi lebih mudah dan cepat. Gunakan baut V yang sesuai dengan lebar kemiringan yang diinginkan. Letakkan mesin ketam dengan baut V ke tepi benda kerja dan jalankan mesin ke sepanjang pinggirannya tersebut.



Baut yang digunakan

Baut yang digunakan	Dimensi a (mm)
Tidak ada	0–2,5
Kecil	1,5–4,0
Sedang	2,0–4,5
Besar	3,0–5,5

Mengetam dengan mistar sejajar (lihat gambar K–M)

Pasang mistar sejajar (24) menggunakan sekrup pengencang (27) pada perkakas listrik. Menyesuaikan penggunaannya, pasang penahan kedalaman ketam (31) menggunakan sekrup pengencang (30) pada perkakas listrik.

Kendurkan mur pengunci (26) dan atur lebar potongan yang diinginkan pada skala (25). Kencangkan kembali mur pengunci (26).

Atur kedalaman potongan yang diinginkan menggunakan penahan kedalaman ketam (31).

Lakukan pekerjaan mengetam beberapa kali hingga kedalaman potongan yang diinginkan tercapai. Dorong mesin ketam sambil ditekan dari samping.

Perawatan dan servis

Perawatan dan pembersihan

- ▶ **Sebelum melakukan semua pekerjaan pada perkakas listrik (misalnya merawat, mengganti alat kerja, dsb.) serta selama transpor dan penyimpanan, keluarkanlah baterai dari perkakas listrik.** Terdapat risiko cedera apabila tombol untuk menghidupkan dan mematikan dioperasikan tanpa sengaja.
- ▶ **Perkakas listrik dan lubang ventilasi harus selalu dibersihkan agar perkakas dapat digunakan dengan baik dan aman.**

Pastikan sandaran kaki (32) bekerja secara leluasa dan bersihkan dengan rutin.

Jika karbon dinamo habis, perkakas listrik akan berhenti sendiri. Perkakas listrik harus dikirimkan ke layanan pelanggan untuk perawatan, alamat dapat dilihat pada bab "Layanan pelanggan dan konsultasi penggunaan".

Mengganti tali ban penggerak (lihat gambar Q–R)

Kendurkan sekrup (8) dan lepaskan pelindung tali ban (9).

Lepaskan tali ban penggerak (33) yang sudah usang. Sebelum memasang tali ban penggerak (33) yang baru, bersihkan kedua roda penggerak (34) dan (35).

Pasang terlebih dulu tali penggerak ban (33) yang baru ke roda tali kecil (35) dan tekan tali penggerak ban (33) ke roda tali yang besar (34) dengan cara diputar menggunakan tangan.

Pastikan tali penggerak ban (33) bergerak tepat di dalam alur roda penggerak (34) atau (35).

Pasang pelindung tali ban (9) dan kencangkan sekrup (8).

Layanan pelanggan dan konsultasi penggunaan

Layanan pelanggan Bosch menjawab semua pertanyaan Anda tentang reparasi dan perawatan serta tentang suku cadang produk ini. Gambaran teknis (exploded view) dan informasi mengenai suku cadang dapat ditemukan di:

www.bosch-pt.com

Tim konsultasi penggunaan Bosch akan membantu Anda menjawab pertanyaan seputar produk kami beserta aksesornya.

Jika Anda hendak menanyakan sesuatu atau memesan suku cadang, selalu sebutkan nomor model yang terdiri dari 10 angka dan tercantum pada label tipe produk.

Indonesia

PT Robert Bosch Indonesia
Arkadia Green Park Tower G – 7th floor
Jl. Let. Jend. TB. Simatupang Kav.88
Jakarta 12520
Tel.: (021) 3005 5800
Fax: (021) 3005 5801
E-Mail: boschpowertools@id.bosch.com
www.bosch-pt.co.id

Alamat layanan lainnya dapat ditemukan di:

www.bosch-pt.com/serviceaddresses

Transpor

Baterai li-ion yang direkomendasikan tunduk pada persyaratan terkait peraturan tentang bahan-bahan yang berbahaya. Baterai dapat diangkat di jalan oleh penggunanya tanpa pembatasan lebih lanjut.

Pada pengiriman oleh pihak ketiga (misalnya transportasi udara atau perusahaan ekspedisi) harus ditaati syarat-syarat terkait kemasan dan pemberian tanda. Dalam hal ini, diperlukan konsultasi dengan ahli bahan-bahan berbahaya saat mengatur barang pengiriman.

Kirimkan baterai hanya jika housing-nya tidak rusak. Tutup bagian-bagian yang terbuka dan kemas baterai agar tidak bergerak-gerak di dalam kemasan. Taatilah peraturan-peraturan nasional lainnya yang mungkin lebih rinci yang berlaku di negara Anda.

Cara membuang



Perkakas listrik, baterai, aksesoris dan kemasan harus didaur ulang dengan cara yang ramah lingkungan.



Jangan membuang perkakas listrik, aki/baterai ke dalam sampah rumah tangga!

Baterai:

Li-ion:

Perhatikanlah petunjuk-petunjuk dalam bab Transpor (lihat „Transpor“, Halaman 76).

Tiếng Việt

Hướng dẫn an toàn

Hướng dẫn an toàn chung cho dụng cụ điện

⚠ CẢNH BÁO Hãy đọc toàn bộ các cảnh báo an toàn, hướng dẫn, hình ảnh và thông số kỹ thuật được cung cấp cho dụng cụ điện cầm tay này. Không tuân thủ mọi hướng dẫn được liệt kê dưới đây có thể bị điện giật, gây cháy và /hay bị thương tật nghiêm trọng. **Hãy giữ tất cả tài liệu về cảnh báo và hướng dẫn để tham khảo về sau.**

Thuật ngữ "dụng cụ điện cầm tay" trong phần cảnh báo là đề cập đến sự sử dụng dụng cụ điện cầm tay của bạn, loại sử dụng điện nguồn (có dây cắm điện) hay vận hành bằng pin (không dây cắm điện).

Khu vực làm việc an toàn

- ▶ **Giữ nơi làm việc sạch và đủ ánh sáng.** Nơi làm việc bừa bộn và tối tăm dễ gây ra tai nạn.
- ▶ **Không vận hành dụng cụ điện cầm tay trong môi trường dễ gây nổ, chẳng hạn như nơi có chất lỏng dễ cháy, khí đốt hay rác.** Dụng cụ điện cầm tay tạo ra các tia lửa nên có thể làm rác bén cháy hay bốc khói.
- ▶ **Không để trẻ em hay người đến xem đứng gần khi vận hành dụng cụ điện cầm tay.** Sự phân tâm có thể gây ra sự mất điều khiển.

An toàn về điện

- ▶ **Phích cắm của dụng cụ điện cầm tay phải thích hợp với ổ cắm.** Không bao giờ được cài biến lại phích cắm dưới mọi hình thức. Không được sử dụng phích tiếp hợp nối tiếp đất (dây mát). Phích cắm nguyên bản và ổ cắm đúng loại sẽ làm giảm nguy cơ bị điện giật.
- ▶ **Tránh không để thân thể tiếp xúc với đất hay các vật có bề mặt tiếp đất như đường ống, lò sưởi, hàng rào và tủ lạnh.** Có nhiều nguy cơ bị điện giật hơn nếu cơ thể bạn bị tiếp hay nối đất.
- ▶ **Không được để dụng cụ điện cầm tay ngoài mưa hay ở tình trạng ẩm ướt.** Nước vào máy sẽ làm tăng nguy cơ bị điện giật.
- ▶ **Không được làm dụng dây dẫn điện.** Không bao giờ được nắm dây dẫn để xách, kéo hay rút phích cắm dụng cụ điện cầm tay. Không để dây gần nơi có nhiệt độ cao, dầu nhớt, vật nhọn bén và bộ phận chuyển động. Làm hỏng hay cuộn rối dây dẫn làm tăng nguy cơ bị điện giật.
- ▶ **Khi sử dụng dụng cụ điện cầm tay ngoài trời, dùng dây nối thích hợp cho việc sử dụng ngoài trời.** Sử dụng dây nối thích hợp cho việc sử dụng ngoài trời làm giảm nguy cơ bị điện giật.

- ▶ **Nếu việc sử dụng dụng cụ điện cầm tay ở nơi ẩm ướt là không thể tránh được, dùng thiết bị ngắt mạch tự động (RCD) bảo vệ nguồn.** Sử dụng thiết bị ngắt mạch tự động RCD làm giảm nguy cơ bị điện giật.

An toàn cá nhân

- ▶ **Hãy tỉnh táo, biết rõ mình đang làm gì và hãy sử dụng ý thức khi vận hành dụng cụ điện cầm tay.** Không sử dụng dụng cụ điện cầm tay khi đang mệt mỏi hay đang bị tác động do chất gây nghiện, rượu hay dược phẩm gây ra. Một thoáng mất tập trung khi đang vận hành dụng cụ điện cầm tay có thể gây thương tích nghiêm trọng cho bản thân.
- ▶ **Sử dụng trang bị bảo hộ cá nhân.** Luôn luôn đeo kính bảo vệ mắt. Trang bị bảo hộ như khẩu trang, giày chống trượt, nón bảo hộ, hay dụng cụ bảo vệ tai khi được sử dụng đúng nơi đúng chỗ sẽ làm giảm nguy cơ thương tật cho bản thân.
- ▶ **Phòng tránh máy khởi động bất ngờ.** Bảo đảm công tắc máy ở vị trí tắt trước khi cắm vào nguồn điện và/hay lắp pin vào, khi nhấn máy lên hay khi mang xách máy. Ngáng ngón tay vào công tắc máy để xách hay kích hoạt dụng cụ điện cầm tay khi công tắc ở vị trí mở dễ dẫn đến tai nạn.
- ▶ **Lấy mọi chìa hay khóa điều chỉnh ra trước khi mở điện dụng cụ điện cầm tay.** Khóa hay chìa còn gắn dính vào bộ phận quay của dụng cụ điện cầm tay có thể gây thương tích cho bản thân.
- ▶ **Không rướn người.** Luôn luôn giữ tư thế đứng thích hợp và thăng bằng. Điều này tạo cho việc điều khiển dụng cụ điện cầm tay tốt hơn trong mọi tình huống bất ngờ.
- ▶ **Trang phục thích hợp.** Không mặc quần áo rộng lủng thùng hay mang trang sức. Giữ tóc và quần áo xa khỏi các bộ phận chuyển động. Quần áo rộng lủng thùng, đồ trang sức hay tóc dài có thể bị cuốn vào các bộ phận chuyển động.
- ▶ **Nếu có các thiết bị đi kèm để nối máy hút bụi và các phụ kiện khác, bảo đảm các thiết bị này được nối và sử dụng tốt.** Việc sử dụng các thiết bị gom hút bụi có thể làm giảm các độc hại liên quan đến bụi gây ra.
- ▶ **Không để thói quen do sử dụng thường xuyên dụng cụ khiến bạn trở nên chủ quan và bỏ qua các quy định an toàn dụng cụ.** Một hành vi bất cẩn có thể gây ra thương tích nghiêm trọng chỉ trong tích tắc.

Sử dụng và bảo dưỡng dụng cụ điện cầm tay

- ▶ **Không được ép máy.** Sử dụng dụng cụ điện cầm tay đúng loại theo đúng ứng dụng của bạn. Dụng cụ điện cầm tay đúng chức năng sẽ

làm việc tốt và an toàn hơn theo đúng tiến độ mà máy được thiết kế.

- ▶ **Không sử dụng dụng cụ điện cầm tay nếu như công tắc không tắt và mở được.** Bất kỳ dụng cụ điện cầm tay nào mà không thể điều khiển được bằng công tắc là nguy hiểm và phải được sửa chữa.
 - ▶ **Rút phích cắm ra khỏi nguồn điện và/hay pin ra khỏi dụng cụ điện cầm tay nếu có thể tháo được, trước khi tiến hành bất kỳ điều chỉnh nào, thay phụ kiện, hay cất dụng cụ điện cầm tay.** Các biện pháp ngăn ngừa như vậy làm giảm nguy cơ dụng cụ điện cầm tay khởi động bất ngờ.
 - ▶ **Cất giữ dụng cụ điện cầm tay không dùng tới nơi trẻ em không lấy được và không cho người chưa từng biết dụng cụ điện cầm tay hay các hướng dẫn này sử dụng dụng cụ điện cầm tay.** Dụng cụ điện cầm tay nguy hiểm khi ở trong tay người chưa được chỉ cách sử dụng.
 - ▶ **Bảo quản dụng cụ điện cầm tay và các phụ kiện.** Kiểm tra xem các bộ phận chuyển động có bị sai lệch hay kẹt, các bộ phận bị rạn nứt và các tình trạng khác có thể ảnh hưởng đến sự vận hành của máy. Nếu bị hư hỏng, phải sửa chữa máy trước khi sử dụng. Nhiều tai nạn xảy ra do bảo quản dụng cụ điện cầm tay tồi.
 - ▶ **Giữ các dụng cụ cắt bén và sạch.** Bảo quản đúng cách các dụng cụ cắt có cạnh cắt bén làm giảm khả năng bị kẹt và dễ điều khiển hơn.
 - ▶ **Sử dụng dụng cụ điện cầm tay, phụ kiện, đầu cài v. v., đúng theo các chỉ dẫn này, hãy lưu ý đến điều kiện làm việc và công việc phải thực hiện.** Sự sử dụng dụng cụ điện cầm tay khác với mục đích thiết kế có thể tạo nên tình huống nguy hiểm.
 - ▶ **Giữ tay cầm và bề mặt nắm luôn khô ráo, sạch sẽ và không dính dầu mỡ.** Tay cầm và bề mặt nắm trơn trượt không đem lại thao tác an toàn và kiểm soát dụng cụ trong các tình huống bất ngờ.
- #### Sử dụng và bảo quản dụng cụ dùng pin
- ▶ **Chỉ được sạc pin lại với bộ nạp điện do nhà sản xuất chỉ định.** Bộ nạp điện thích hợp cho một loại pin có thể gây nguy cơ cháy khi sử dụng cho một loại pin khác.
 - ▶ **Chỉ sử dụng dụng cụ điện cầm tay với loại pin được thiết kế đặc biệt dành riêng cho máy.** Sử dụng bất cứ loại pin khác có thể dẫn đến thương tật hay cháy.
 - ▶ **Khi không sử dụng pin, để cách xa các vật bằng kim loại như kẹp giấy, tiền xu, chìa khóa, đinh, ốc vít hay các đồ vật kim loại nhỏ khác, thứ có thể tạo sự nối tiếp từ một đầu**

cực với một đầu cực khác. Sự chập mạch của các đầu cực với nhau có thể gây bỏng hay cháy.

- ▶ **Bảo quản ở tình trạng tối, dung dịch từ pin có thể tửa ra; tránh tiếp xúc.** Nếu vô tình chạm phải, hãy xối nước để rửa. Nếu dung dịch vào mắt, cần thêm sự hỗ trợ của y tế. Dung dịch tiết ra từ pin có thể gây ngứa hay bỏng.
- ▶ **Không được sử dụng bộ pin hoặc dụng cụ đã bị hư hại hoặc bị thay đổi.** Pin hỏng hoặc bị thay đổi có thể gây ra những tác động không lường trước được như cháy nổ hoặc nguy cơ thương tích.
- ▶ **Không đặt bộ pin hoặc dụng cụ ở gần lửa hoặc nơi quá nhiệt.** Tiếp xúc với lửa hoặc nhiệt độ cao trên 130 °C có thể gây nổ.
- ▶ **Tuân thủ tất cả các hướng dẫn nạp và không nạp bộ pin hay dụng cụ ở bên ngoài phạm vi nhiệt độ đã được quy định trong các hướng dẫn.** Nạp không đúng cách hoặc ở nhiệt độ ngoài phạm vi nạp đã quy định có thể làm hư hại pin và gia tăng nguy cơ cháy.

Bảo dưỡng

- ▶ **Đưa dụng cụ điện cầm tay của bạn đến thợ chuyên môn để bảo dưỡng, chỉ sử dụng phụ tùng đúng chủng loại để thay.** Điều này sẽ đảm bảo sự an toàn của máy được giữ nguyên.
- ▶ **Không bao giờ sửa chữa các bộ pin đã hư hại.** Chỉ cho phép nhà sản xuất hoặc các nhà cung cấp dịch vụ có ủy quyền thực hiện dịch vụ sửa chữa cho các bộ pin.

Các Nguyên Tắc An Toàn Dành Cho Máy Bào

- ▶ **Chớ ma' y cả 't dư' ng hã 'n trườ' c khi lấy dụng cụ xuống.** Máy cắt đang quay hờ có thể tiếp xúc với bề mặt dẫn đến mất kiểm soát và thương tích nghiêm trọng.
- ▶ **Sử dụng các kẹp hoặc cách thực tiễn khác để cố định và đỡ phôi gia công vào sàn thao tác cố định.** Việc cầm phôi gia công bằng tay hoặc tựa người vào phôi gia công làm cho nó dễ đổ và có thể dẫn đến mất kiểm soát.
- ▶ **Chỉ cho máy gia công vật liệu khi máy đã hoạt động.** Nếu không làm vậy thì sẽ có nguy cơ bị giật ngược do dụng cụ cắt bị kẹp chặt trong vật gia công.
- ▶ **Không cầm vào bộ phận vỏ bảo bằng tay.** Nó có thể làm bạn bị thương ở các bộ phận xoay.
- ▶ **Không bảo phẳng bằng các vật thể kim loại, đinh hoặc vít.** Lưỡi bào và trục bào có thể bị hư hỏng và làm gia tăng sự rung lắc.
- ▶ **Dùng thiết bị dò tìm thích hợp để xác định nếu có các công trình công cộng lắp đặt ngầm trong khu vực làm việc hay liên hệ với Cty công trình công cộng địa phương để nhờ hỗ trợ.** Dụng cụ chạm đường dẫn điện có thể gây ra hỏa hoạn và điện giật. Làm hư hại đường dẫn

khí ga có thể gây nổ. Làm thùng ống dẫn nước có thể làm hư hại tài sản hay có thể gây ra điện giật.

- ▶ **Khi làm việc, hãy luôn giữ dụng cụ bào sao cho để bào đặt phẳng với phôi gia công.** Nếu không áp dụng như vậy, máy bào có thể bị găm xước xuống và gây thương tích.
- ▶ **Trong trường hợp pin bị hỏng hay sử dụng sai cách, hơi nước có thể bốc ra. Pin có thể cháy hoặc nổ.** Hãy làm cho thông thoáng khí và trong trường hợp bị đau phải nhờ y tế chữa trị. Hơi nước có thể gây ngứa hệ hô hấp.
- ▶ **Không được tháo pin ra.** Nguy cơ bị chập mạch.
- ▶ **Pin có thể bị hư hại bởi các vật dụng nhọn như đinh hay tuốc-nơ-vít hoặc bởi các tác động lực từ bên ngoài.** Nó có thể dẫn tới đoản mạch nội bộ và làm pin bị cháy, bốc khói, phát nổ hoặc quá nóng.
- ▶ **Chỉ sử dụng pin trong các sản phẩm của nhà sản xuất.** Chỉ bằng cách này, pin sẽ được bảo vệ tránh nguy cơ quá tải.



Bảo vệ pin không để bị làm nóng, ví dụ, chống để lâu dài dưới ánh nắng gay gắt, lửa, chất bẩn, nước, và sự ẩm ướt. Có nguy cơ nổ và chập mạch.



- ▶ **Giữ máy thật chắc bằng cả hai tay trong khi làm việc và luôn luôn giữ tư thế đứng cho thích hợp và cân bằng.** Dùng hai tay để điều khiển máy thì an toàn hơn.

Mô Tả Sản Phẩm và Đặc Tính Kỹ Thuật



Đọc kỹ mọi cảnh báo an toàn và mọi hướng dẫn. Không tuân thủ mọi cảnh báo và hướng dẫn được liệt kê dưới đây có thể bị điện giật, gây cháy và / hay bị thương tật nghiêm trọng.

Xin lưu ý các hình minh họa trong phần trước của hướng dẫn vận hành.

Sử dụng đúng cách

Máy được thiết kế để bào các vật liệu gỗ dùng chằng chống ổn định, ví dụ như xà gồ, ván tấm. Máy cũng thích hợp để tạo cạnh nhẵn và mộng xoi.

Các bộ phận được minh họa

Việc đánh số các thành phần đã minh họa liên quan đến mô tả dụng cụ điện trên trang hình ảnh.

- (1) Thước tỉ lệ cỡ sâu bào
- (2) Núm điều chỉnh cỡ sâu (bề mặt nắm cách điện)
- (3) Phun vỏ bảo (tùy chọn bên phải hoặc bên trái)

- (4) Nút nhả khóa của công tắc bật/tắt
 - (5) Công tắc bật/tắt
 - (6) Pin^{a)}
 - (7) Nút tháo pin^{a)}
 - (8) Vít bắt nắp chụp dây đai
 - (9) Nắp chụp dây đai
 - (10) Gạc chọn chế độ tổng dăm bào
 - (11) Khuôn đế máy bào
 - (12) Dưỡng khóa chữ V
 - (13) Chia khóa đầu ống cân chữ T/chia vặn Torx
 - (14) Vít bắt cố định cho vấu kẹp
 - (15) Vấu kẹp
 - (16) Tang trống dao
 - (17) Rãnh dẫn hướng lưỡi bào
 - (18) Lưỡi bào thép gió HSS
 - (19) Nẹp kẹp lưỡi bào thép gió HSS
 - (20) Vít lắp bắt nẹp kẹp lưỡi bào thép gió HSS
 - (21) Thiết bị dùng để mài lưỡi bào thép gió HSS
 - (22) Cờ định cỡ lưỡi bào thép gió HSS
 - (23) Lưỡi bào thép gió HM/TC^{a)}
 - (24) Thanh cỡ
 - (25) Thước đo chiều rộng bào xoi
 - (26) Đai ốc khóa chỉnh đặt chiều rộng bào xoi
 - (27) Vít gắn cho thanh cỡ
 - (28) Ống hút (Ø 35 mm)^{a)}
 - (29) Túi đựng mặt cưa/dăm bào^{a)}
 - (30) Vít bắt cố định cho cờ chặn cỡ sâu bào xoi^{a)}
 - (31) Cờ chặn cỡ sâu bào xoi^{a)}
 - (32) Gá Đỡ
 - (33) Dây đai truyền động
 - (34) Pulí lớn
 - (35) Pulí nhỏ
 - (36) Tay nắm (có bề mặt nắm cách điện)
 - (37) Đầu nối để chuyển đổi lưỡi bào thép gió HSS sang TC^{a)}
 - (38) Đèn báo trạng thái sạc pin trên dụng cụ điện
- a) **Phụ tùng được trình bày hay mô tả không phải là một phần của tiêu chuẩn hàng hóa được giao kèm theo sản phẩm. Bạn có thể tham khảo tổng thể các loại phụ tùng, phụ kiện trong chương trình phụ tùng của chúng tôi.**

Thông số kỹ thuật

Máy bào	GHO 185-LI	
Mã số máy	3 601 EB5 0..	
Điện thế danh định	V ⁻	18
Tốc độ không tải ^{A)}	/phút	14000
Cỡ sâu bào	mm	0–2,6
Cỡ sâu bào xoi	mm	0–9

Máy bào	GHO 185-LI	
Bề rộng bào, tối đa	mm	82
Trọng lượng theo EPTA-Procedure 01:2014 ^{B)}	kg	2,6–3,7
Nhiệt độ môi trường được khuyến nghị khi sạc	°C	0 ... +35
Nhiệt độ môi trường cho phép trong quá trình vận hành ^{C)} và trong quá trình lưu trữ	°C	-20 ... +50
Pin được khuyến nghị dùng	GBA 18V... ProCORE18V...	
Thiết bị nạp được khuyến nghị giới thiệu	GAL 18... GAX 18... GAL 36...	

A) Được đo ở 20–25 °C với pin **GBA 18V 4.0Ah**.

B) tùy vào loại pin lốc đang sử dụng

C) hiệu suất giới hạn ở nhiệt độ <0 °C

Các giá trị có thể khác nhau tùy thuộc vào sản phẩm và tùy thuộc vào ứng dụng và điều kiện môi trường. Xem thêm thông tin chi tiết trên trang www.bosch-professional.com/wac.

Pin

Bosch mua dụng cụ điện chạy pin không có pin. Dù pin được bao gồm trong phạm vi giao hàng của dụng cụ điện, bạn có thể tháo bao gi.

Sạc pin

► **Chỉ sử dụng bộ sạc được để cập trong dữ liệu kỹ thuật.** Chỉ những bộ sạc này phù hợp cho dụng cụ điện cầm tay của bạn có sử dụng pin Li-Ion.

Hướng dẫn: Pin Lithium-ion được giao một phần do các quy định vận tải quốc tế. Để bảo đảm đầy đủ điện dung, nạp điện hoàn toàn lại cho pin trước khi sử dụng cho lần đầu tiên.

Lắp pin

Hãy đẩy pin đã sạc vào giá gắn pin cho đến khi nó vào khớp.

Tháo pin ra

Để tháo pin bạn hãy ấn nút mở khóa pin và kéo pin ra. **Không dùng sức.**

Pin có 2 mức khóa, có nhiệm vụ ngăn ngừa pin bị rơi ra do vô ý bấm phải nút tháo pin. Cứ khi nào pin còn được lắp trong dụng cụ điện, nó vẫn được giữ nguyên vị trí nhờ vào một lò xo.

Đèn báo trạng thái nạp pin trên pin

Lưu ý: Không phải mọi loại pin đều có một hiển thị mức sạc.

Các đèn LED màu xanh của màn hình hiển thị tình trạng sạc pin chỉ ra tình trạng sạc của pin. Vì lý do an toàn, ta chỉ có thể kiểm tra trạng thái của tình

trạng nạp điện khi máy đã ngừng hoạt động hoàn toàn.

Để hiển thị tình trạng nạp, bạn hãy nhấn nút để hiển thị mức sạc hoặc . Điều này cũng có thể thực hiện khi ắc quy được tháo ra.

Đèn LED không sáng sau khi nhấn nút để hiển thị mức sạc có nghĩa là pin bị hỏng và phải được thay thế.

Kiểu pin GBA 18V...



LED	Điện dung
Đèn sáng liên tục 3x màu xanh lá	60–100 %
Đèn sáng liên tục 2x màu xanh lá	30–60 %
Đèn sáng liên tục 1x màu xanh lá	5–30 %
Đèn nhấp nháy 1x màu xanh lá	0–5 %

Kiểu pin ProCORE18V...



LED	Điện dung
Đèn sáng liên tục 5x màu xanh lá	80–100 %
Đèn sáng liên tục 4x màu xanh lá	60–80 %
Đèn sáng liên tục 3x màu xanh lá	40–60 %
Đèn sáng liên tục 2x màu xanh lá	20–40 %
Đèn sáng liên tục 1x màu xanh lá	5–20 %
Đèn nhấp nháy 1x màu xanh lá	0–5 %

Đèn báo trạng thái sạc pin trên dụng cụ điện

Khi bật dụng cụ điện, hiển thị mức sạc pin trên dụng cụ điện báo hiệu dung lượng pin còn khả dụng hoặc quá tải.

LED	Điện dung
Đèn sáng liên tục 3x màu xanh lá	60–100 %
Đèn sáng liên tục 2x màu xanh lá	30–60 %
Đèn sáng liên tục 1x màu xanh lá	5–30 %
Đèn nhấp nháy 1x màu xanh lá	0–5 %

LED	Ý Nghĩa
Đèn nhấp nháy 3 x	Chống quá tải được kích hoạt
Đèn nhấp nháy LED giữa	Nhiệt độ của pin nằm ngoài khoảng nhiệt độ vận hành và/hoặc tính năng chống chịu nhiệt độ của dụng cụ điện được kích hoạt

Các Khuyến Nghị về Cách Bảo Dưỡng Tốt Nhất cho Pin

Bảo vệ pin hợp khối tránh sự ẩm ướt và nước.

Chỉ bảo quản pin trong tầm nhiệt độ nằm giữa $-20\text{ }^{\circ}\text{C}$ và $50\text{ }^{\circ}\text{C}$. Không để pin trong ô tô vào mùa hè.

Thỉnh thoảng làm sạch các khe thông gió của pin bằng cách dùng một cái cọ khô, mềm và sạch.

Sự giảm sút đáng kể thời gian hoạt động sau khi nạp điện chỉ rõ rằng pin hợp khối đã hết công dụng và phải được thay.

Quy trình hoạt động được chia ra làm hai giai đoạn.

Sự lắp vào

► Trước khi tiến hành bất cứ công việc gì với máy (ví dụ bảo dưỡng, thay dụng cụ v.v..) cũng như khi vận chuyển hay lưu kho, tháo pin ra khỏi dụng cụ điện. Có nguy cơ gây thương tích khi vô tình làm kích hoạt công tắc Tắt/Mở.

Chọn Lựa Lưỡi Bào

Dụng cụ điện có thể thích hợp với nhiều loại lưỡi bào khác nhau.

Do lắp đầu chuyển đổi (37) (phụ kiện), dụng cụ điện có thể được chuyển từ lưỡi bào thép gió HSS (18) thành lưỡi bào cac-bua (TC) (23).

Khi thay lưỡi bào, luôn luôn thay cả hai lưỡi; nếu không làm như vậy, sự mất cân đối có thể làm cho sự rung động phát sinh, làm giảm tuổi thọ của dụng cụ điện.

Thay Lưỡi Bào Thép Gió HSS

► Thận trọng khi thay lưỡi bào. Không chạm vào cạnh cắt của lưỡi bào. Có nguy cơ bị thương tích do cạnh cắt sắc bén của lưỡi bào gây ra.

Tháo Lưỡi bào (xem Hình A–C)

- Để thay lưỡi bào, hãy xoay tang trống dao (16), cho đến khi vấu kẹp (15) nằm song song với khuôn đế máy bào (11).
- Vặn 3 vít bắt (14) bằng chìa khóa đầu ống cán chữ T (13) và tháo vấu kẹp (15) ra.
- Đẩy nẹp kẹp (19) cùng với lưỡi bào (18) ra khỏi tang trống dao (16) hoặc rãnh dẫn hướng (17).
- Xoay tang trống dao 180° và tháo lưỡi bào thứ 2.

Lưu ý: Trước khi thay hoặc mài lưỡi bào, hãy tháo nẹp kẹp (19) bằng cách nới lỏng vít bắt (20).

Mài sắc lưỡi bào thép gió HSS (xem Hình D)

Bằng cách sử dụng dụng cụ mài (21) (phụ kiện) và đá mài tiêu chuẩn, bạn có thể mài sắc lưỡi bào HSS đã mòn hoặc bị cùn.

Lắp cả hai lưỡi bào vào trong thiết bị mài và kẹp chặt lại bằng bu-long tai vặn. Đảm bảo rằng cả hai lưỡi bào đã lắp vào hết bên trong.

Chuyển dịch thiết bị mài có lắp lưỡi bào một cách đồng đều và áp nhẹ lên đá mài.

Lưu ý: Chỉ được phép mài lưỡi bào tối đa 6 mm trên bề rộng tối thiểu là 23 mm. Sau đó, phải thay cả hai lưỡi bào ra.

Lắp lưỡi bào (xem Hình E–F)

Trước khi lắp lại lưỡi bào mới hoặc đã mài sắc, hãy vệ sinh tang trống dao (16) và nếu cần cả lưỡi bào (18) và nẹp kẹp (19). Làm sạch lưỡi bào bị bám dày nhựa mủ bằng cồn hay dầu lửa.

Lưu ý: Phải luôn hiệu chỉnh lưỡi bào mới hoặc đã mài sắc theo chiều cao đã điều chỉnh trước khi lắp.

Cữ định cỡ (22) (phụ kiện) được sử dụng để điều chỉnh chiều cao của lưỡi bào. Đặt lưỡi bào (18) và nẹp kẹp (19) vào cỡ định cỡ. Lưu ý sao cho nẹp kẹp (19) cặp vào rãnh quy định. Ấn lưỡi bào (18) ti vào cỡ chặn và cố định nẹp kẹp (19) ở vị trí này bằng vít (20). Động tác này sẽ tự động điều chỉnh đúng độ cao.

Lưỡi bào phải được lắp và căn chỉnh **chính giữa khuôn đế máy bào (11)**. Tiếp theo, siết chặt 3 vít bắt (14) bằng chia vặn gia lực đầu bằng (13). Tuân thủ thứ tự xiết (1②③) cho sẵn trên vấu kẹp (15).

Lưu ý: Kiểm tra độ chặt của các vít bắt trước khi vận hành dụng cụ (14). Xoay tang trống dao (16) bằng tay và đảm bảo rằng lưỡi bào không chạm vào bất cứ thứ gì.

Thay Lưỡi Cac-bua (TC)

► **Thận trọng khi thay lưỡi bào. Không chạm vào cạnh cắt của lưỡi bào.** Có nguy cơ bị thương tích do cạnh cắt sắc bén của lưỡi bào gây ra.

Chỉ sử dụng lưỡi bào thép gió HM/TC **Bosch** chính hãng.

Lưỡi bào thép gió bằng kim loại cứng (HM/TC) có 2 cạnh cắt, và có thể chuyển đổi qua lại được. Nếu cả hai cạnh cắt đều cùn, cần phải thay lưỡi bào (23). Lưỡi bào thép gió HM/TC không nên mài cho bén lại.

Tháo Lưỡi bào (xem Hình G–H)

- Để sử dụng hoặc thay thế lưỡi bào, hãy xoay tang trống dao (16) cho đến khi vấu kẹp (15) nằm song song với khuôn đế máy bào (11).
- Nới lỏng 3 vít bắt khoảng 1-2 vòng (14) bằng chia vặn gia lực đầu bằng (13). Không được tháo vấu kẹp (15) ra.
- Xoay tang trống dao một chút và đẩy lưỡi bào bằng một mẫu gỗ (23) ra khỏi tang trống dao (16).
- Xoay tang trống dao 180° và tháo lưỡi bào thứ 2.

Lắp lưỡi bào (xem Hình I–J)

Rãnh dẫn hướng của lưỡi bào luôn luôn đảm bảo giữ không đổi chiều cao đã điều chỉnh hay khi đổi cạnh.

Nếu cần, hãy vệ sinh để cắm dao trong tang trống dao (16) và lưỡi bào (23).

Lưu ý lắp lưỡi dao sao cho lưỡi dao nằm hoàn hảo trong rãnh lắp của tang trống dao (16).

Lưỡi bào phải **được lắp và căn chỉnh chính giữa khuôn đế máy bào (11)**. Tiếp theo, xiết chặt 3 vít bắt (14) bằng chia vặn gia lực đầu bằng (13). Tuân thủ thứ tự xiết (1②③) cho sẵn trên vấu kẹp (15).

Lưu ý: Kiểm tra độ chặt của các vít bắt trước khi vận hành dụng cụ (14). Xoay tang trống dao (16) bằng tay và đảm bảo rằng lưỡi bào không chạm vào bất cứ thứ gì.

Sử dụng bộ trang bị thêm

Chuyển đổi từ Thép gió HSS sang Cac-bua TC

Với đầu chuyển đổi Cac-bua/TC, dao bào được trang bị lưỡi bào thép gió HSS có thể được chuyển đổi thành lưỡi bào cac-ba (TC).

- Vặn 3 vít bắt (14) bằng chia vặn gia lực đầu bằng (13) và tháo vấu kẹp (15) ra.
- Đẩy nẹp kẹp (19) cùng với lưỡi bào (18) ra khỏi tang trống dao (16) hoặc rãnh dẫn hướng (17).
- Tháo vít (20) ra.
- Lắp nẹp kẹp (19) và đầu chuyển đổi (37) vào cỡ định cỡ (22). Nẹp kẹp (19) phải khớp vào rãnh trên cỡ định cỡ (xem Hình S).
- Đẩy lưỡi bào cac-ba (TC) (23) vào đầu chuyển đổi (37). Dải trên đầu chuyển đổi (37) phải cặp vào rãnh trên lưỡi bào cac-bua (TC) (xem Hình S).
- Xiết chặt vít (20).
- Lắp nẹp kẹp (19) cùng với đầu chuyển đổi (37) và lưỡi bào (18) vào tang trống dao (16) hoặc rãnh dẫn hướng (17).
- Đặt vấu kẹp lên (15) và xiết vít lỏng tay (14).
- Lưỡi bào phải được lắp và căn chỉnh **chính giữa khuôn đế máy bào (11)**. Tiếp theo, xiết chặt 3 vít bắt (14) bằng chia vặn gia lực đầu bằng (13). Tuân thủ thứ tự xiết (1②③) vấu kẹp (15) được quy định.

Chuyển đổi từ Thép gió HSS sang Cac-bua/TC

Với dao bào được trang bị lưỡi bào cac-bua (TC), có thể chuyển đổi sang lưỡi bào thép gió HSS.

- Vặn 3 vít bắt (14) bằng chia vặn gia lực đầu bằng (13) và tháo vấu kẹp (15) ra.
- Đẩy nẹp kẹp (19) cùng với lưỡi bào (18) hoặc đầu chuyển đổi cac-bua (TC) (37) ra khỏi tang trống dao (16).
- Tháo vít (20) ra.

- Lắp nguyên cụm lưỡi bào thép gió HSS (xem „Lắp lưỡi bào (xem Hình E–F)“, Trang 81) và căn chỉnh **chính giữa khuôn đế máy bào (11)**.
- Đặt vấu kẹp lên **(15)** và xiết chặt 3 vít bắt **(14)** bằng chia vận gia lực đầu bằng **(13)**. Tuân thủ thứ tự xiết **(1) (2) (3)** vấu kẹp **(15)** được quy định.

Hút Dám/Bụi

Mạt bụi từ các vật liệu được sơn phủ ngoài có chứa chì trên một số loại gỗ, khoáng vật và kim loại có thể gây nguy hại đến sức khoẻ con người. Đừng chạm hay hít thở các bụi này có thể làm người sử dụng hay đứng gần bị dị ứng và/hoặc gây nhiễm trùng hệ hô hấp.

Một số mặt bụi cụ thể, ví dụ như bụi gỗ sồi hay đậu, được xem là chất gây ung thư, đặc biệt là có liên quan đến các chất phụ gia dùng xử lý gỗ (chất cromat, chất bảo quản gỗ). Có thể chỉ nên để thợ chuyên môn gia công các loại vật liệu có chứa amiăng.

- Cách xa ở mức có thể được, sử dụng hệ thống hút thích hợp cho loại vật liệu.
- Tạo không khí thông thoáng nơi làm việc.
- Khuyến nghị nên mang mặt nạ phòng độc có bộ lọc cấp P2.

Tuân thủ các qui định của quốc gia bạn liên quan đến loại vật liệu gia công.

- ▶ **Tránh không để rác tích tụ tại nơi làm việc.**
Rác có thể dễ dàng bắt lửa.

Làm sạch phoi **(3)** đều đặn. Sử dụng một dụng cụ thích hợp để làm sạch phoi bị tắc, ví dụ như que gỗ, khí nén v.v.

- ▶ **Không cắm vào bộ phun vỏ bào bằng tay.** Nó có thể làm bạn bị thương ở các bộ phận xoay.

Để đảm bảo việc hút vỏ bào/mạt cưa được tốt nhất, luôn luôn sử dụng máy hút bụi đặt bên ngoài hay túi đựng mạt cưa/dám bào.

Máy hút bụi ngoài (xem Hình N)

Trên lỗ phun vỏ bào, một ống hút có thể được cắm ở hai bên (Ø 35 mm) **(28)** (phụ kiện).

Nối ống hút **(28)** với một chiếc máy hút bụi (phụ kiện). Ở phần cuối của tài liệu hướng dẫn này bạn sẽ tìm thấy phần tổng quan về việc kết nối ở các máy hút bụi khác nhau.

Máy hút bụi phải thích hợp dành cho loại vật liệu đang gia công.

Khi hút bụi khô loại đặc biệt gây nguy hại đến sức khỏe hoặc gây ra ung thư, hãy sử dụng máy hút bụi loại chuyên dụng.

Hệ thống hút bụi tích hợp (xem Hình N)

Khi làm những công việc nhỏ hơn, bạn có thể kết nối túi đựng bụi/dám bào (Phụ kiện) **(29)**. Lắp chặt miệng túi đựng bụi vào lỗ phun vỏ bào **(3)**. Hãy xả sạch túi đựng bụi/dám bào **(29)** kịp thời để việc hút bụi được duy trì tối ưu.

Lựa Chọn Bên của Bộ Phận Tổng Dám Bào

Bằng gạt chọn **(10)** phun vỏ bào có thể được chuyển **(3)** sang phải hoặc sang trái. Luôn nhấn gạt chọn **(10)** đến khi khớp vào vị trí cuối. Hướng phun vỏ bào đã chọn được hiển thị trên gạt chọn bằng một biểu tượng mũi tên **(10)**.

Vận Hành

Bắt Đầu Vận Hành

Điều chỉnh Độ Sâu bào

Với núm xoay **(2)**, có thể điều chỉnh độ sâu bào từ **0–2,6 mm** nhờ thước tỷ lệ độ sâu bào **(1)** (vạch thước = **0,1 mm**).

Bật/tắt

- ▶ **Hãy đảm bảo rằng, bạn có thể nhấn Công tắc bật/tắt, mà không cần nhả tay nắm.**

Để **vận hành** thử dụng cụ điện hãy nhấn khóa an toàn **(4)** và sau đó nhấn **công tắc tắt/mở** và nhấn giữ **(5)**.

Để **tắt** dụng cụ điện, hãy nhả công tắc Tắt/Mở **(5)**.

Lưu ý: Vì lý do an toàn, không thể mở khóa công tắc Tắt/Mở **(5)**, mà phải luôn bấm giữ trong khi vận hành dụng cụ.

Hướng Dẫn Sử Dụng

- ▶ **Trước khi tiến hành bất cứ công việc gì với máy (ví dụ bảo dưỡng, thay dụng cụ v.v..) cũng như khi vận chuyển hay lưu kho, tháo pin ra khỏi dụng cụ điện.** Có nguy cơ gây thương tích khi vô tình làm kích hoạt công tắc Tắt/Mở.

Gá đỡ (xem Hình O)

Gá đỡ **(32)** cho phép tắt dụng cụ điện ngay lập tức sau khi thao tác mà không có nguy cơ làm hư hại phôi gia công hoặc lưỡi bào. Trong khi thao tác, gá đỡ **(32)** được hất lên và phần sau của khuôn đế máy bào **(11)** được kích hoạt.

Lưu ý: Không được phép tháo gá đỡ **(32)**.

Quá trình bào (xem Hình O)

Nếu bạn điều chỉnh độ sâu bào và đặt dụng cụ điện với phần phía trước của khuôn đế máy bào **(11)** vào phôi gia công.

- ▶ **Chỉ cho máy gia công vật liệu khi máy đã hoạt động.** Nếu không làm vậy thì sẽ có nguy cơ bị giết ngược do dụng cụ cắt bị kẹp chặt trong vật gia công.

Bật công tắc cho máy hoạt động và đẩy máy cho gia tải đồng đều lên khắp bề mặt được gia công bào.

Để đạt được bề mặt có chất lượng cao, chỉ cho gia tải với cường độ thấp và tạo lực áp nhẹ lên chính giữa khuôn đế máy bào.

Khi gia công các vật liệu cứng (vd., gỗ cứng) cũng như khi tận dụng tối đa bề rộng máy bào, chỉ nên

chỉnh đặt cỡ sâu bào thấp và làm giảm sự gia tải như khi thấy cần.

Sự cho gia tải quá mức làm giảm chất lượng bề mặt và có thể mau chóng làm tắt nghẽn bộ phận tổng dẫn bảo.

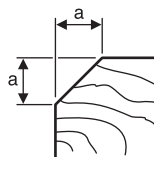
Chỉ có các lưỡi bào sắc bén mới tạo hiệu quả bảo tốt và kéo dài tuổi thọ máy.

Gá đỡ tích hợp (32) cho phép tiếp tục quá trình bào sau khi tạm dừng ở vị trí bất kỳ của phối gia công:

- Với gá đỡ được gập xuống, đặt máy ngay lên trên vật gia công, ở vị trí mà việc gia công bảo còn được tiếp tục.
- Bật công tắc cho máy hoạt động.
- Di chuyển áp lực tiếp xúc đến phần trước của khuôn đế máy bào và đẩy dụng cụ điện từ từ tiến về phía trước (I). Trong khi đó, gá đỡ được gạt lên (II), nhờ đó phần sau của khuôn đế máy bào lại tì vào phối gia công.
- Đẩy đều tay dụng cụ điện trên bề mặt cần gia công (II).

Cạnh xiên (xem Hình P)

Dường khía chữ V nằm ở phần trước khuôn đế máy bào cho phép tạo cạnh xiên ở cạnh vật gia công được nhanh và dễ dàng. Tùy theo độ rộng cạnh xiên cần có, sử dụng đường khía chữ V thích hợp. Để thực hiện, đặt máy có ráp đường khía chữ V lên trên cạnh vật gia công và đẩy máy dọc theo cạnh biên.



Dường được sử dụng	Kích thước a (mm)
Không	0–2,5
Nhỏ	1,5–4,0
Trung bình	2,0–4,5
Lớn	3,0–5,5

Bào với thanh cũ (xem Hình K–M)

Lắp thanh cũ (24) với vít gắn (27) trên dụng cụ điện. Lắp cỡ chặn cỡ sâu bào xoi tùy theo mục đích sử dụng (31) bằng vít (30) trên dụng cụ điện.

Nới lỏng đai ốc khóa (26) và điều chỉnh độ rộng mong muốn của bào xoi trên thước tỷ lệ (25). Xiết lại đai ốc khóa (26) thật chặt.

Điều chỉnh độ sâu bào xoi mong muốn bằng cỡ chặn độ sâu bào xoi (31) phù hợp.

Tiến hành qui trình bào xoi một vài lần cho đến khi có được cỡ sâu bào xoi theo yêu cầu. Đẩy máy bào với lực hỗ trợ lên một bên.

Bảo Dưỡng và Bảo Quản

Bảo Dưỡng Và Làm Sạch

- ▶ Trước khi tiến hành bất cứ công việc gì với máy (ví dụ bảo dưỡng, thay dụng cụ v.v..) cũng như khi vận chuyển hay lưu kho, tháo pin ra khỏi dụng cụ điện. Có nguy cơ gây

thương tích khi vô tình làm kích hoạt công tắc Tắt/Mở.

- ▶ Để được an toàn và máy hoạt động đúng chức năng, luôn luôn giữ máy và các khe thông gió được sạch.

Giữ gá đỡ (32) sạch và vệ sinh thường xuyên.

Khi chổi than đã mòn hết, máy tự tắt. Dụng cụ điện phải được gửi đến bộ phận dịch vụ khách hàng để bảo dưỡng, địa chỉ xem ở mục "Dịch vụ khách hàng và tư vấn sử dụng".

Thay dây đai truyền động (xem Hình Q–R)

Mở vít (8) và nhấc nắp dây đai (9) ra. Tháo dây đai truyền động bị mòn (33).

Trước khi lắp dây đai truyền động mới (33), làm sạch cả hai bánh xe (34) và (35).

Trước tiên, lắp dây đai truyền động (33) vào bánh xe nhỏ (35) và sau đó ấn dây đai truyền động (33) vào bánh xe lớn bằng cách dùng tay xoay tròn (34).

Lưu ý sao cho dây đai truyền động (33) chạy chính xác vào rãnh dọc của bánh xe (34) hoặc (35).

Lắp nắp dây đai (9) và xiết chặt vít (8).

Dịch vụ hỗ trợ khách hàng và tư vấn sử dụng

Bộ phận phục vụ hàng sau khi bán của chúng tôi trả lời các câu hỏi liên quan đến việc bảo dưỡng và sửa chữa các sản phẩm cũng như phụ tùng thay thế của bạn. Sơ đồ mô tả và thông tin về phụ tùng thay thế cũng có thể tra cứu theo dưới đây:

www.bosch-pt.com

Đội ngũ tư vấn sử dụng của Bosch sẽ giúp bạn giải đáp các thắc mắc về sản phẩm và phụ kiện.

Trong tất cả các phản hồi và đơn đặt phụ tùng, xin vui lòng luôn luôn nhập số hàng hóa 10 chữ số theo nhãn của hàng hóa.

Việt Nam

CN CÔNG TY TNHH BOSCH VIỆT NAM TẠI TP.HCM

Tầng 14, Ngõ Nhà Đức, 33 Lê Duẩn

Phường Bến Nghé, Quận 1, Thành Phố Hồ Chí Minh

Tel.: (028) 6258 3690

Fax: (028) 6258 3692 - 6258 3694

Hotline: (028) 6250 8555

Email: tuvankhachhang-pt@vn.bosch.com

www.bosch-pt.com.vn

www.baohanhbosch-pt.com.vn

Xem thêm địa chỉ dịch vụ tại:

www.bosch-pt.com/serviceaddresses

Vận chuyển

Pin Li-Ion được khuyến nghị là đối tượng phải tuân theo các qui định của Pháp Luật về Hàng Hóa Nguy Hiểm. Người sử dụng có thể vận chuyển pin hợp khối bằng đường bộ mà không cần thêm yêu cầu nào khác.

Khi được vận chuyển thông qua bên thứ ba (vd. vận chuyển bằng đường hàng không hay đại lý giao nhận), phải tuân theo các yêu cầu đặc biệt về đóng gói và dán nhãn. Phải tham vấn chuyên gia về hàng hóa nguy hiểm khi chuẩn bị gói hàng.

Chỉ gửi pin hợp khối khi vỏ ngoài không bị hư hỏng. Dán băng keo hay che kín các điểm tiếp xúc hở và đóng gói pin hợp khối theo cách sao cho pin không thể xô dịch khi nằm trong bao bì. Ngoài ra, xin vui lòng chấp hành các quy định chi tiết có thể được bổ sung thêm của quốc gia.

Sự thải bỏ



Dụng cụ điện, pin, phụ kiện và bao bì cần được tái sử dụng theo quy định về môi trường.



Bạn không được ném dụng cụ điện và pin vào thùng rác gia đình!

Pin/ắc quy:

Li-Ion:

Tuân thủ những hướng dẫn trong phần vận chuyển (xem „Vận chuyển“, Trang 83).

مخصص للاستعمال الخارجي من خطر الصدمات الكهربائية.

- إن لم يكن بالإمكان تجنب تشغيل العدة الكهربائية في الأجواء الرطبة، فاستخدم مفتاح للوقاية من التيار المتخلف. إن استخدام مفتاح للوقاية من التيار المتخلف يقلل خطر الصدمات الكهربائية.

أمان الأشخاص

- كن يقظا وانتبه إلى ما تفعله واستخدم العدة الكهربائية بتعقل. لا تستخدم عدة كهربائية عندما تكون متعبا أو عندما تكون تحت تأثير المخدرات أو الكحول أو الأدوية. عدم الانتباه للحظة واحدة عند استخدام العدة الكهربائية قد يؤدي إلى إصابات خطيرة.

- قم لارتداء تجهيزات الحماية الشخصية. وارتد دائما نظارات واقية. يحد ارتداء تجهيزات الحماية الشخصية، كقناع الوقاية من الغبار وأحذية الأمان الواقية من الانزلاق والوذو أو واقية الأذنين، حسب ظروف استعمال العدة الكهربائية، من خطر الإصابة بجروح.

- تجنب التشغيل بشكل غير مقصود. تأكد من كون العدة الكهربائية مطفاة قبل توصيلها بالتيار الكهربائي و/أو بالمركب، وقبل رفعها أو حملها. إن كنت تضع إصبعك على المفتاح أثناء حمل العدة الكهربائية أو إن وصلت الجهاز بالشبكة الكهربائية بينما لا مفتاح على وضع التشغيل، قد يؤدي إلى وقوع الحوادث.

- انزع أداة الضبط أو مفتاح الربط قبل تشغيل العدة الكهربائية. قد تؤدي الأداة أو المفتاح المتواجد في جزء دوار من الجهاز إلى الإصابة بجروح.

- تجنب أوضاع الجسم غير الطبيعية. قف بأمان وحافظ على توازنك دائما. سيسمح لك ذلك بالتمكّن في الجهاز بشكل أفضل في المواقف الغير متوقعة.

- قم بارتداء ثياب مناسبة. لا ترتد الثياب الفضفاضة أو الحللى. احرص على إبقاء الشعر والملابس بعيدا عن الأجزاء المتحركة. قد تشابك الثياب الفضفاضة والحلى والشعر الطويل بالأجزاء المتحركة.

- إن جاز تركيب تجهيزات شفت وتجميع الغبار، فتأكد من أنها موصولة وبأنه يتم استخدامها بشكل سليم. قد يقلل استخدام تجهيزات لشفت الغبار من المخاطر الناتجة عن الغبار.

- لا تستخدم العدة الكهربائية بلا مبالاة وتجاهل قواعد الأمان الخاصة بها نتيجة لتعودك على استخدام العدة الكهربائية وكثرة استخدامها. فقد يتسبب الاستخدام دون حرص في حدوث إصابة بالغة تحدث في أجزاء من الثانية.

- حسن معاملة واستخدام العدد الكهربائية لا تفرط بتحميل الجهاز. استخدم لتنفيذ أشغالك العدة الكهربائية المخصصة لذلك. إنك تعمل بشكل أفضل وأكثر أمنا بواسطة العدة الكهربائية الملائمة في مجال الأداء المذكور.

- لا تستخدم العدة الكهربائية إن كان مفتاح تشغيلها تالف. العدة الكهربائية التي لم يعد من

عربي

إرشادات الأمان

الإرشادات العامة للأمان بالعدد الكهربائية

- تحذير** اطلع على كافة تحذيرات الأمان والتعليمات والصور والمواصفات المرفقة بالعدة الكهربائية. عدم اتباع التعليمات الواردة أدناه قد يؤدي إلى حدوث صدمة كهربائية، إلى نشوب حريق و/أو الإصابة بجروح خطيرة.

احتفظ بجميع الملاحظات التحذيرية والتعليمات للمستقبل.

يقصد بمصطلح «العدة الكهربائية» المستخدم في الملاحظات التحذيرية، العدد الكهربائية الموصولة بالشبكة الكهربائية (بواسطة كابل الشبكة الكهربائية) وأيضاً العدد الكهربائية المزودة بمركب (دون كابل الشبكة الكهربائية).

الأمان بمكان الشغل

- حافظ على نظافة مكان شغلك وإضاءته بشكل جيد. الفوضى في مكان الشغل ونطاقات العمل غير المضأة قد تؤدي إلى وقوع الحوادث.

- لا تشتغل بالعدة الكهربائية في نطاق معرض لخطر الانفجار مثل الأماكن التي تتوفر فيه السوائل أو الغازات أو الأبخرة القابلة للاشتعال. العدد الكهربائية تولد شررا قد يتطاير، فيشعل الأبخرة والأبخرة.

- حافظ على بقاء الأطفال وغيرهم من الأشخاص بعيدا عندما تستعمل العدة الكهربائية. تشتيت الانتباه قد يتسبب في فقدان السيطرة على الجهاز.

الأمان الكهربائي

- يجب أن يتلائم قابس العدة الكهربائية مع المقبس. لا يجوز تغيير القابس بأي حال من الأحوال. لا تستعمل القوايس المهينة مع العدد الكهربائية المؤرّضة (ذات طرف أرضي). تخفّض القوايس التي لم يتم تغييرها والمقابس الملائمة من خطر الصدمات الكهربائية.

- تجنب ملامسة جسمك للأسطح المؤرّضة كالأنابيب والمبردات والمواقد أو التلّاجات. يزداد خطر الصدمات الكهربائية عندما يكون جسمك مؤرّض أو موصول بالأرضي.

- أبعد العدة الكهربائية عن الأمطار أو الرطوبة. يزداد خطر الصدمات الكهربائية إن تسرب الماء إلى داخل العدة الكهربائية.

- لا تسيّ استعمال الكابل. لا تستخدم الكابل في حمل العدة الكهربائية أو سحبها أو سحب القابس من المقبس. احرص على إبعاد الكابل عن الحرارة والزيت والحواف الحادة أو الأجزاء المتحركة. تزيد الكابلات التالفة أو المتشابكة من خطر الصدمات الكهربائية.

- عند استخدام العدة الكهربائية خارج المنزل اقتصر على استخدام كابلات التمديد الصالحة للاستعمال الخارجي. يقلل استعمال كابل تمديد

- ذلك. قد يؤدي سائل المرمك المتسرب إلى تهيج البشرة أو إلى الاحتراق.
- ◀ لا تستخدم عدة أو مرمك تعرضاً لأضرار أو للتعديل. البطاريات المتعرضة لأضرار أو لتعديلات قد ينتج عنها أشياء لا يمكن التنبؤ بها، قد تسبب نشوب حريق أو حدوث انفجار أو إصابات.
- ◀ لا تعرض المرمك أو العدة للهب أو لدرجة حرارة زائدة. التعرض للهب أو لدرجة حرارة أعلى من 130 °م قد يتسبب في انفجار.
- ◀ اتبع تعليمات الشحن ولا تقم بشحن المرمك أو العدة خارج نطاق درجة الحرارة المحدد في التعليمات. الشحن بشكل غير صحيح أو في درجات حرارة خارج النطاق المحدد قد يعرض المرمك لأضرار ويزيد من مخاطر الحريق.

الخدمة

- ◀ احرص على إصلاح عدتك الكهربائية فقط بواسطة العمال المتخصصين وباستعمال قطع الغيار الأصلية فقط. يضمن ذلك المحافظة على أمان الجهاز.
- ◀ لا تقم بإجراء أعمال خدمة على المراكم التالفة. أعمال الخدمة على المراكم يجب أن تقوم بها الجهة الصانعة فقط أو مقدم الخدمة المعتمد.

ملاحظات أمان المسحاج

- ◀ انتظر حتى توقف القاطعة قبل إسناد العدة. حيث يمكن أن تدخل القاطعة أثناء دورانها في سطح الارتكاز، مما يتسبب في فقدان السيطرة عليها وحدوث إصابات بالغة.
- ◀ استخدم قاطعات أو طريقة عملية أخرى لتأمين قطعة الشغل وتدعيمها على منصة ثابتة. مسك قطعة الشغل بيديك أو سندها على جسمك يجعلها غير ثابتة وقد يؤدي إلى فقدان السيطرة.
- ◀ وجه العدة الكهربائية نحو قطعة الشغل فقط عندما تكون في حالة التشغيل. قد يتشكل خطر الصدمات الارتدادية إن تكلبت عدة الشغل في قطعة الشغل.
- ◀ لا تدخل يدك في مقذف النشارة. فقد تتعرض للإصابة من جراء الأجزاء الدوارة.
- ◀ لا تمرر العدة الكهربائية أبداً فوق القطع المعدنية والمسامير أو اللوالب. قد تتلف السكاكين ومحمور إدارة السكاكين، فتؤدي إلى اهتزازات زائدة.
- ◀ استخدم أجهزة تنقيب ملائمة للعثور على خطوط الإمداد غير الظاهرة، أو استعن بشركة الإمداد المحلية. ملائمة الخطوط الكهربائية قد تؤدي إلى اندلاع النار وإلى الصدمات الكهربائية. حدوث أضرار بغط الغاز قد يؤدي إلى حدوث انفجارات. اختراق خط الماء يتسبب في وقوع أضرار مادية.
- ◀ اقبض على المسحج أثناء الشغل دائماً بحيث يركز نعل المسحج على قطعة الشغل بتساطح. وإلا فقد يستعصي المسحج ليؤدي إلى الإصابات.
- ◀ قد تنطلق أبخرة عند تلف المرمك واستخدامه بطريقة غير ملائمة. يمكن أن يحترق المرمك أو

- الممكن التحكم بها عن طريق مفتاح التشغيل والإطفاء تعتبر خطيرة ويجب أن يتم إصلاحها.
- ◀ اسحب القابس من المقبس و/أو اخلع المرمك، إذا كان قابلاً للخلع، قبل ضبط الجهاز وقبل استبدال الملحقات أو قبل تخزين الجهاز. تمنع هذه الإجراءات وقائية تشغيل العدة الكهربائية بشكل غير مقصود.
- ◀ احتفظ بالعدد الكهربائية التي لا يتم استخدامها بعيداً عن متناول الأطفال. لا تسمح باستخدام العدة الكهربائية لمن لا خبرة له بها أو لمن لم يقرأ تلك التعليمات. العدد الكهربائي خطيرة إن تم استخدامها من قبل أشخاص دون خبرة.
- ◀ اعتن بالعدد الكهربائية والملحقات بشكل جيد. تأكد أن أجزاء الجهاز المتحركة مركبة بشكل سليم وغير مستعصية عن الحركة، وتفحص ما إن كانت هناك أجزاء مكسورة أو في حالة تؤثر على سلامة أداء العدة الكهربائية. ينبغي إصلاح هذه الأجزاء التالفة قبل إعادة تشغيل الجهاز. الكثير من الحوادث مصدرها العدد الكهربائية التي تتم صيانتها بشكل رديء.
- ◀ احرص على إبقاء عدد القطع نظيفة وحادة. إن عدد القطع ذات حواف القطع المادة التي تم صيانتها بعناية تتكلم بشكل أقل ويمكن توجيهها بشكل أيسر.
- ◀ استخدم العدد الكهربائية والتوابع وريش الشغل إلخ. وفقاً لهذه التعليمات. تراعى أثناء ذلك ظروف الشغل والعمل المراد تنفيذه. استخدام العدد الكهربائية لغير الأشغال المخصصة لأجلها قد يؤدي إلى حدوث الحلات الخطيرة.
- ◀ احرص على إبقاء المقابض وأسطح المسك جافة ونظيفة وخالية من الزيوت والشحوم. المقابض وأسطح المسك الزلقة لا تتبع التشغيل والتحكم الآمن في العدة في المواقف غير المتوقعة.
- ◀ حسن معاملة واستخدام العدد المزودة بمرمك اشحن المراكم فقط في أجهزة الشحن التي يُنصح باستخدامها من طرف المنتج. قد يتسبب جهاز الشحن المخصصة لنوع معين من المراكم في خطر الحريق إن تم استخدامه مع نوع آخر من المراكم.
- ◀ استخدم العدد الكهربائية فقط مع المراكم المصممة لهذا الغرض. قد يؤدي استخدام المراكم الأخرى إلى إصابات وإلى خطر نشوب الحرائق.
- ◀ حافظ على إبعاد المرمك الذي لا يتم استعماله عن مشابك الورق وقطع النقود المعدنية والمفاتيح والمسامير واللوالب أو غيرها من الأغراض المعدنية الصغيرة التي قد تقوم بتوصيل الملامسين ببعضهما البعض. قد يؤدي تقصير الدارة الكهربائية بين ملامسي المرمك إلى الاحتراق أو إلى اندلاع النار.
- ◀ قد يتسرب السائل من المرمك في حالة سوء الاستعمال. تجنب ملامسته. اشطفه بالماء في حال ملامسته بشكل غير مقصود. إن وصل السائل إلى العينين، فراجع الطبيب إضافة إلى

- (12) حز بشكل V
 (13) مفتاح الربط الصندوقي ذو المقبض على شكل حرف T/مفتاح الربط توركس
 (14) لولب تثبيت فك القمص
 (15) فك القمص
 (16) رأس السكين
 (17) حز توجيه لسكين السمح
 (18) سكين السمح HSS
 (19) مشبك تثبيت سكين السمح HSS
 (20) لولب تثبيت لمشبك تثبيت سكين السمح HSS
 (21) جهاز شحذ لسكين السمح HSS
 (22) مقياس ضبط لسكين السمح HSS
 (23) سكين السمح HM/TC^a
 (24) مصد التوازي
 (25) مقياس لعرض التفريز
 (26) صامولة تثبيت لضبط عرض التفريز
 (27) لولب تثبيت مصد التوازي
 (28) خرطوم الشفط (يقطر 35 مم)^a
 (29) كيس الغبار/النشارة^a
 (30) لولب تثبيت دليل عمق التفريز^a
 (31) دليل عمق التفريز^a
 (32) سنادة التخزين
 (33) سير الدفع
 (34) عجلة السير الكبيرة
 (35) عجلة السير الصغيرة
 (36) مقبض (سطح قبض معزول)
 (37) مهايئ لتعديل سكين السمح من HSS إلى TC^a
 (38) بيان حالة شحذ المركم بالعدة الكهربائية
 (a) لا يتضمن إطار التوريد الاعتيادي التوابع المصورة أو المشروحة. تجد التوابع الكاملة في برنامجنا التوابع.

البيانات الفنية

مسحاج		GHO 185-LI
رقم الصنف	3 601 EB5 0..	
الجهد الاسمي	فلط==	18
عدد اللفات للحملي ^a	دقي قة ^b	14000
عمق النشارة	مم	2,6-0
عمق التفريز	مم	9-0
عرض السمح الأقصى	مم	82
الوزن حسب EPTA- Procedure 01:2014 ^b	كجم	3,7-2,6
درجة الحرارة المحيطة الموصى بها عند الشحذ	°م	35+ ... 0
درجة الحرارة المحيطة المسموح بها عند التشغيل ^c وعند التخزين	°م	50+ ... 20-

يتعرض للانفجار. أمن توفر الهواء النقي وراجع الطبيب إن شعرت بشكوى. قد تهيج هذه الأبخرة المجاري التنفسية.

◀ **لا تفتح المركم.** يتشكل خطر تقصير الدائرة الكهربائية.

◀ **يمكن أن يتعرض المركم لأضرار من خلال الأشياء المعدنية مثل المسامير والمفكات أو من خلال تأثير القوى الخارجية.** وقد يؤدي هذا إلى تقصير الدائرة الكهربائية الداخلية واحترق المركم أو خروج الأدخنة منه أو انفجاره وتعرضه لسخونة مفرطة.

◀ **اقتصر على استخدام المركم في منتجات الجهة الصانعة.** يتم حماية المركم من فُرط التحميل الخطير بهذه الطريقة فقط دون غيرها.

احرص على حماية المركم من الحرارة، بما ذلك التعرض لأشعة الشمس باستمرار ومن النار والانساخ والماء والرطوبة. حيث ينشأ خطر الانفجار وخطر حدوث دائرة قصر.



◀ **أمسك العدة الكهربائية جيدا بكلتا يديك عند العمل، واحرص على أن تكون في وضعية ثابتة.** يتم توجيه العدة الكهربائية بأمان بواسطة اليدين الاثنتين.

وصف المنتج والأداء

اقرأ جميع إرشادات الأمان والتعليمات. ارتكاب الأخطاء عند تطبيق إرشادات الأمان والتعليمات، قد يؤدي إلى حدوث صدمات الكهربائية أو إلى نشوب الحرائق و/أو الإصابة بجروح خطيرة.



يرجى الرجوع إلى الصور الموجودة في الجزء الأول من دليل التشغيل.

الاستعمال المطابق للتعليمات

العدة الكهربائية مخصصة لسمح مواد الشغل الخشبية كالعوارض والألواح مثلا، بتركيزها بثبات على قطعة الشغل. وتصلح أيضا لشطب الحواف وللتفريز.

الأجزاء المصورة

يشير ترقيم الأجزاء المصورة إلى الصورة المعروضة للعدة الكهربائية في صفحة الرسوم.

- (1) مقياس عمق النشارة
- (2) زر دوار لضبط عمق النشارة (سطح القبض معزول)
- (3) مقذف النشارة (اليمن/اليسار، خيار)
- (4) قفل تشغيل مفتاح التشغيل والإطفاء
- (5) مفتاح التشغيل والإطفاء
- (6) المركم^a
- (7) زر فك إقفال المركم^a
- (8) لولب غطاء السير
- (9) غطاء السير
- (10) ذراع تحويل اتجاه قذف النشارة
- (11) نعل المسحاج

نوع المرمك GBA 18V...



السعة	لمبة LED
% 100-60	ضوء مستمر ×3 أخضر
% 60-30	ضوء مستمر ×2 أخضر
% 30-5	ضوء مستمر ×1 أخضر
% 5-0	ضوء وماض ×1 أخضر

نوع المرمك ProCORE18V...



السعة	لمبة LED
% 100-80	ضوء مستمر ×5 أخضر
% 80-60	ضوء مستمر ×4 أخضر
% 60-40	ضوء مستمر ×3 أخضر
% 40-20	ضوء مستمر ×2 أخضر
% 20-5	ضوء مستمر ×1 أخضر
% 5-0	ضوء وماض ×1 أخضر

مبين حالة شحن المرمك بالعدة الكهربائية

عندما تكون العدة الكهربائية مشغلة يشير مبين حالة شحن المرمك بالعدة الكهربائية إلى القدرة المتبقية في المرمك أو إلى التحميل الزائد.

السعة	لمبة LED
% 100-60	ضوء مستمر ×3 أخضر
% 60-30	ضوء مستمر ×2 أخضر
% 30-5	ضوء مستمر ×1 أخضر
% 5-0	ضوء وماض ×1 أخضر

المعنى	مصباح LED
ضوء وماض ×3 تم إطلاق وسيلة الحماية من التحميل الزائد	
الضوء الوماض الأوسط LED	درجة حرارة المرمك خارج نطاق درجة حرارة التشغيل و/أو تم إطلاق وسيلة الحماية من الارتفاع المفرط في درجة الحرارة بالعدة الكهربائية

ملاحظات للتعامل مع المرمك بطريقة مثالية

قم بحماية المرمك من الرطوبة والماء. لا تقم بتخزين المرمك إلا في نطاق درجة حرارة يقع بين 20-°م وحتى 50°م. لا تترك المرمك في السيارة في فصل الصيف مثلاً. نظف فتحات التهوية بالمرمك من فترة لأخرى، بواسطة فرشاة طرية ونظيفة وجافة.

GHO 185-LI

مسحاج

المرامك الموصى بها
GBA 18V...
ProCORE18V...

أجهزة الشحن الموصى بها
GAL 18...
GAX 18...
GAL 36...

(A) مقاسة عند درجة حرارة 20-25°م مع مرمك GBA 18V 4.0Ah

(B) حسب المرمك المُستخدَم

(C) قدرة محدودة في درجات الحرارة > 0°م

قد تختلف القيم حسب المنتج وظروف الاستخدام والبيئة. المزيد من

المعلومات على موقع الإنترنت

www.bosch-professional.com/wac

مرمك

تبيع شركة Bosch العدد الكهربائي العاملة بمرمك دون مرمك أيضاً. يمكنك أن تعرف من العبوة ما إذا كان المرمك موجود ضمن مجموعة التجهيزات الموردة مع العدة الكهربائية الخاصة بك.

شحن المرمك

← **اقتصر على استخدام أجهزة الشحن المذكورة في المواصفات الفنية.** أجهزة الشحن هذه دون غيرها هي المتوائمة مع مرمك أيونات الليثيوم المستخدم في عدتك الكهربائية.

ملحوظة: يتم تسليم مرامك أيونات الليثيوم مشحونة جزئياً وفقاً للوائح النقل الدولية. لضمان قدرة أداء المرمك الكاملة، يتوجب شحن المرمك بشكل كامل قبل الاستعمال لأول مرة.

تركيب المرمك

أدخل المرمك المشحون في موضع تثبيت المرمك إلى أن يُثبت بشكل ملموس.

نزع المرمك

لخلع المرمك اضغط على زر تحرير المرمك وأخرج المرمك. لا تستخدم القوة أثناء ذلك.

يمتاز المرمك بدرجتي إقفال اثنتين، تمنعان سقوط المرمك للخارج في حال ضغط زر فك إقفال المرمك بشكل غير مقصود. يتم تثبيت المرمك بواسطة نابض ما دام مركباً في العدة الكهربائية.

بيان حالة شحن المرمك بالمرمك

ملحوظة: ليست كل أنواع المرامك تحتوي على مبين حالة شحن.

تشير مصابيح الدابود الخضراء الخاصة بمبين حالة شحن المرمك لحالة شحن المرمك. لأسباب تتعلق بالسلامة فإنه لا يمكن الاستعلام عن حالة الشحن إلا والعدة الكهربائية متوقفة.

اضغط على زر مبين حالة الشحن (⊕) أو (⊖) لعرض حالة الشحن. يمكن هذا أيضاً والمرمك مخرج.

إذا لم يضيء أي مصباح دابود بعد الضغط على زر مبين حالة الشحن، فهذا يعني أن المرمك تالف ويجب تغييره.

تركيب سكين السمج (انظر الصور E-F)
قبل إعادة تركيب سكاكين السمج الجديدة أو التي تم إعادة شحذها، قم بتنظيف رأس السكين (16) وعند الضرورة سكين السمج (18) ومشبك التثبيت (19). نظف سكاكين السمج شديدة التصمغ بواسطة الكحول أو النفط.

إرشاد: يجب ضبط الارتفاع الصحيح لسكاكين السمج الجديدة أو التي تم إعادة شحذها دائما قبل تركيبها. يتم استخدام مقياس الضبط (22) (التوايح) لضبط ارتفاع سكاكين السمج. ضع سكين السمج (18) ومشبك التثبيت (19) على مقياس الضبط. احرص على تعشيق مشبك التثبيت (19) في الزم المخصص لذلك. اضغط سكين السمج (18) نحو اتجاه المصادم وثبت مشبك التثبيت (19) في هذا الوضع بواسطة لولب التثبيت (20). وبذلك يتم التوصل إلى ضبط الارتفاع الصحيح بشكل أوتوماتيكي.

ينبغي تركيب سكين السمج ومماداته في منتصف نعل المسحاج (11). ثم احكم ربط لولب التثبيت الثلاثة (14) باستخدام مفتاح الربط الصندوقي ذو المقبض على شكل حرف T. أثناء القيام بذلك، حافظ على ترتيب الشد الصحيح (13) (2) (3) المذكور على قطعة القمط (15).

إرشاد: تأكد من ثبات لولب التثبيت (14) قبل التشغيل. أدر رأس السكين (16) يدويا، وتأكد من عدم احتكاك سكاكين السمج بأي شيء.

استبدال سكاكين السمج HM/TC

⬅ **احترس عند استبدال سكاكين السمج. لا تلمس سكاكين السمج من حواف القطع.** قد تصاب بجروح من جراء حواف القطع المادة. استخدم فقط سكاكين سمج HM/TC الأصلية من Bosch.

سكاكين السمج المصنوعة من المعدن الصلب (HM/TC) مزودة بطرفين حادين للقطع مما يسمح بقلبيها. إذا أصبح طرفي القطع تالمين، يجب استبدال سكاكين السمج (23). لا يجوز إعادة شحذ سكين السمج HM/TC.

خلع سكين السمج (انظر الصور GH)

- أدر رأس السكين (16) لقلب سكاكين السمج أو استبدالها، إلى أن تتوازي قطعة القمط (15) مع نعل المسحاج (11).
- قم بحل لولب التثبيت الثلاثة (14) بواسطة مفتاح ربط التوركس (13) بمقدار 1-2 لفة تقريبا. لا ينبغي خلع قطعة القمط (15).
- أدر رأس السكين قليلا وادفع سكين السمج (23) بواسطة قطعة خشبية جانبيا إلى خارج رأس السكين (16).
- أدر رأس السكين بزواوية 180° واخلع سكين السمج الثانية.

تركيب سكين السمج (انظر الصور IJ)

يؤمن حز توجيه سكين السمج ضبط ارتفاع منتظم دائما عند الاستبدال أو القلب. قم بتنظيف مرتكز السكين الخاص برأس السكين (16) وسكين السمج (23) عند الضرورة. احرص عند تركيب سكين السمج على استقراره بلا مشاكل في فتحة حاضن رأس السكين (16).

إذا انخفضت فترة التشغيل بعد الشمن بدرجة كبيرة فهذا يعني أن المركم قد استهلك وأنه يجب استبداله. تراعى الإرشادات عند التخلص من العدد.

التركيب

⬅ **انزع المركم عن العدة الكهربائية قبل إجراء أي أعمال بالعدة الكهربائية (مثلا: الصيانة، استبدال العدد وإلخ..). وأيضاً عند نقلها أو تخزينها.** هناك خطر إصابة بجروح عند الضغط على مفتاح التشغيل والإطفاء بشكل غير مقصود.

اختيار سكين السمج

يمكن تجهيز العدة الكهربائية بسكاكين سمج مختلفة. عن طريق تركيب المهاب (37) (توايح)، يمكن تعديل العدة الكهربائية من سكاكين السمج (18) HSS إلى سكاكين السمج (23) HM/TC. استبدل سكينتي السمج معا في آن واحد دائما عند استبدال السكاكين، وإلا فقد يؤدي اختلال الاتزان إلى اهتزازات، وقد تؤدي إلى تقليل العمر الافتراضي للعدة الكهربائية.

تغيير سكين السمج HSS

⬅ **احترس عند استبدال سكاكين السمج. لا تلمس سكاكين السمج من حواف القطع.** قد تصاب بجروح من جراء حواف القطع المادة.

خلع سكين السمج (انظر الصور A-C)

- لاستبدال سكاكين السمج، أدر رأس السكين (16) إلى أن تتوازي قطعة القمط (15) مع نعل المسحاج (11).
- قم بفك لولب التثبيت الثلاثة (14) باستخدام مفتاح الربط الصندوقي ذو المقبض على شكل حرف T (13) وانزع قطعة القمط (15).
- ادفع مشبك التثبيت (19) مع سكين السمج (18) إلى خارج رأس السكين (16) أو المز الدليلي (17).
- أدر رأس السكين بزواوية 180° واخلع سكين السمج الثانية.

إرشاد: أخرج مشبك التثبيت (19) قبل استبدال أو إعادة شحذ سكاكين السمج من خلال حل لولب التثبيت (20).

إعادة شحذ سكين السمج HSS (انظر الصورة D)

باستخدام جهاز الشحذ (21) (توايح) وحجر الشحذ المتداول في الأسواق، يمكنك إعادة شحذ سكاكين السمج HSS المستهلكة أو التالمة. ركب سكينتي السمج في تجهيزة الشحذ وثبتهما بواسطة اللولب الممنع. احرص على دفع سكينتي السمج إلى الداخل حتى المصادمة. حرك السكينتين المركبتين في تجهيزة الشحذ بضغط خفيف عبر حجر الجليج.

إرشاد: يمكن إعادة شحذ سكاكين السمج بحد أقصى 6 مم وبعد أدنى العرض 23 مم. بعد ذلك، يجب استبدال سكينتي السمج.

(13). أثناء القيام بذلك، حافظ على تسلسل الشد الصحيح (①②③) المذكور لقطعة القمط (15).

شفط الغبار/النشارة

إن غبار بعض المواد كالطلاء الذي يحتوي على الرصاص، وبعض أنواع الخشب والفلزات والمعادن، قد تكون مضرّة بالصحة. إن ملامسة أو استنشاق غبار قد يؤدي إلى أعراض حساسية و/أو إلى أمراض الجهاز التنفسي لدى المستخدم أو لدى الأشخاص المتواجدين على مقربة من المكان. تعتبر بعض الأعبرة المعينة، كأعبرة البلوط والزان، مسببة للسرطان، ولا سيما عند الارتباط بالمواد الإضافية لمعالجة الخشب (ملح جامض الكروميك، المواد الحافظة للخشب). يجوز أن يتم معالجة المواد التي تمتوي على الأسبستوس من قبل العمال المتخصصين فقط دون غيرهم.

- استخدم شافطة غبار ملائمة للمادة قدر الإمكان.
- حافظ على تهوية مكان الشغل بشكل جيد.
- ينصح بارتداء قناع وقاية للتنفس بفتحة المرشح P2. تراعى الأحكام السارية في بلدكم بالنسبة للمواد المرغوب معالجتها.

◀ **تجنب تراكم الغبار بكمكان العمل.** يجوز أن تستغل الأعبرة بسهولة.

قم بتنظيف مقذف النشارة (3) بشكل منتظم. استخدم عدة مناسبة، مثلاً قطعة خشب أو الهواء المضغوط، وإلخ، لتنظيف مقذف النشارة المسدود. ◀ **لا تدخل يدك في مقذف النشارة.** فقد تتعرض للإصابة من جراء الأجزاء الدوارة.

استخدم دائماً تجهيز شفط خارجية أو كيس الغبار/النشارة لضمان عملية شفط مثالية.

الشفط الخارجي (انظر الصورة N)

يمكن ربط خرطوم شفط (بقطر 35 مم) (28) (توابع) بمقذف النشارة من الجانبين.

قم بتوصيل خرطوم الشفط (28) بشفاط الغبار (توابع). تجد في نهاية هذا الدليل عرضاً عاماً للتوصيل بشفاطات الغبار المختلفة.

يجب أن تصلح شافطة الغبار الخوائية للاستعمال مع مادة الشغل المرغوب معالجتها.

استخدم شافطة غبار خوائية خاصة عند شفط الأعبرة المضرّة بالصحة أو المسببة للسرطان أو الشديدة الجفاف.

الشفط الذاتي (انظر الصورة N)

في الأعمال الأصغر يمكنك استخدام كيس الغبار/النشارة (التوابع) (29). قم بتثبيت فوهة كيس الغبار في مقذف النشارة (3). قم بتفريغ كيس الغبار/النشارة (29) في الوقت المناسب حتى يظل استقبال الغبار في وضع مثالي.

مقذف النشارة القابل للخيار

يمكنك بواسطة ذراع التحويل (10) أن تقوم بتحويل اتجاه مقذف النشارة (3) إلى اليمين أو اليسار. اضغط ذراع التحويل (10) إلى الوضع النهائي دائماً إلى أن يثبت. تتم الإشارة إلى اتجاه قذف النشارة المختار من خلال رمز السهم على ذراع التحويل (10).

ينبغي تركيب سكين السمع ومماذاته في منتصف نعل المسحاج (11). ثم أحكم شد لولاب التثبيت (14) الثلاثة بواسطة مفتاح الربط توركس (13). أثناء القيام بذلك، حافظ على ترتيب الشد الصحيح (①②③) المذكور على قطعة القمط (15).

إرشاد: تأكد من ثبات لولاب التثبيت (14) قبل التشغيل. أدر رأس السكين (16) يدويًا، وتأكد من عدم احتكاك سكاكين السمع بأي شيء.

استخدام طقوم تغيير التجهيز

التحويل من HSS إلى HM/TC

باستخدام المهائئ HM/TC، يمكن تحويل المسحاج المجهز للاستخدام باستخدام سكاكين السمع HSS إلى سكاكين السمع HM/TC.

- قم بفك لولاب التثبيت الثلاثة (14) باستخدام مفتاح الربط توركس (13) وانزع قطعة القمط (15).

- ادفع مشبك التثبيت (19) مع سكين السمع (18) إلى خارج رأس السكين (16) أو الحز الدليلي (17).

- قم بخلع البراغي (20).

- قم بتركيب مشبك التثبيت (19) والمهائئ (37) في مقياس الضبط (22). يجب تعشيق مشبك التثبيت (19) في الحز الموجود على مقياس الضبط (انظر الصورة S).

- قم بتحرك سكين السمع (23) HM/TC على الجانب في المهائئ (37). يجب إدخال الشريط الموجود على المهائئ (37) أثناء ذلك في الحز الموجود على سكين السمع HM/TC (انظر الصورة S).

- قم بربط اللولاب (20).

- أدخل مشبك التثبيت (19) مع المهائئ (37) وسكين السمع (18) في رأس السكين (16) أو في الحز الدليلي (17).

- قم بتركيب قطعة القمط (15) واربط لولاب التثبيت (14) بشكل خفيف.

- ينبغي تركيب سكين السمع ومماذاته في منتصف نعل المسحاج (11). ثم أحكم شد لولاب التثبيت (14) الثلاثة بواسطة مفتاح الربط توركس (13). أثناء القيام بذلك، حافظ على تسلسل الشد الصحيح (①②③) المذكور لقطعة القمط (15).

التحويل من HM/TC إلى HSS

يمكن تحويل المسحاج المجهز بسكاكين السمع HM/TC إلى سكين سمع HSS.

- قم بفك لولاب التثبيت الثلاثة (14) باستخدام مفتاح الربط توركس (13) وانزع قطعة القمط (15).

- ادفع مشبك التثبيت (19) مع سكين السمع (18) أو المهائئ (37) HM/TC إلى خارج رأس السكين (16).

- قم بخلع البراغي (20).

- قم بتركيب سكين السمع HSS المجمع (انظر "تركيب سكين السمع (انظر الصور E-F)", الصفحة 89) وقم بتوجيهها في منتصف نعل المسحاج (11).

- قم بتركيب مشبك التثبيت (15) وأحكم ربط لولاب التثبيت الثلاثة (14) باستخدام مفتاح الربط توركس

التشغيل

التشغيل

ضبط عمق النشارة

يمكن ضبط عمق النشارة بواسطة الزر الدوار (2) دون تدوير من 0-2,6 مم بواسطة مقياس عمق النشارة (1) (تدوير المقياس = 0,1 مم).

التشغيل والإيقاف

تأكد أنه بإمكانك الضغط على زر التشغيل / الإيقاف دون ترك المقبض اليدوي.

لغرض تشغيل العدة الكهربائية، اضغط أولاً على قفل التشغيل (4) واضغط بعدها على مفتاح التشغيل والإطفاء (5) واحتفظ به مضغوطاً.

لغرض إطفاء العدة الكهربائية اترك مفتاح التشغيل والإطفاء (5).

ملحوظة لا يمكن تثبيت مفتاح التشغيل والإطفاء (5) لأسباب متعلقة بالأمان، بل يجب أن يتم ضغطه طوال فترة التشغيل.

إرشادات العمل

◀ **انزع المرمك عن العدة الكهربائية قبل إجراء أي أعمال بالعدة الكهربائية (مثلاً: الصيانة، استبدال العدد وإلخ..)** وأيضاً عند نقلها أو تخزينها. هناك خطر إصابة بجروح عند الضغط على مفتاح التشغيل والإطفاء بشكل غير مقصود.

سنادة التخزين (انظر الصورة O)

تتبع سنادة التخزين (32) تخزين العدة الكهربائية بعد إجراءات التشغيل مباشرة دون خطر إتلاف قطعة الشغل أو سكين السمج. أثناء عملية التشغيل، يتم تحريك سنادة التخزين (32) إلى الأعلى وتحرير الجزء الخلفي لنعل المسماح (11).

إرشاد: لا يجوز فك سنادة التخزين (32).

حركة السمج (انظر الصورة O)

اضبط عمق النشارة المرغوب وضع الجزء الأمامي لنعل المسماح الخاص بالعدة الكهربائية (11) على قطعة الشغل.

◀ **وجه العدة الكهربائية نحو قطعة الشغل فقط عندما تكون في حالة التشغيل.** قد يتشكل خطر الصدمات الارتدادية إن تكلبت عدة الشغل في قطعة الشغل.

شغل العدة الكهربائية وحركها بدفع أمامي منتظم على السطح المرغوب معالجته.

للوصول إلى أسطح عالية الجودة اقتصر على العمل بدفع خفيف، واضغط على منتصف نعل المسماح. عند معالجة المواد الصلبة كالخشب الصلب مثلاً، وعند استغلال عرض المسماح الأقصى أيضاً، اضبط عمق نشارة ضئيل فقط، وخفف دفع المسماح عند الضرورة.

يقلل فرط الدفع الأمامي من جودة السطح وقد يؤدي إلى انسداد مقذف النشارة بشكل سريع.

إن سكاكين السمج الماددة هي فقط التي تنتج قدرة القطع الجيدة وتصون العدة الكهربائية.

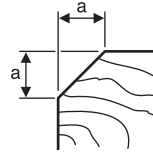
تسمح سنادة التخزين (32) المرمكية بمتابعة عملية السمج بعد التوقف عن العمل في أي نقطة على قطعة الشغل:

- ركز العدة الكهربائية على جزء قطعة الشغل المرغوب متابعة الشغل به مع ثني سنادة التخزين إلى الأسفل.
- قم بتشغيل العدة الكهربائية.
- قم بتحويل ضغط الارتكاز الموجود على نعل المسماح الأمامي ودفع العدة الكهربائية ببطء نحو الأمام (1). أثناء ذلك، تتأرجح سنادة التخزين إلى الأعلى (2) بحيث يعود ويرتكز بهذا الجزء الخلفي لنعل المسماح على قطعة الشغل.
- حرك العدة الكهربائية بدفع أمامي منتظم عبر السطح المرغوب معالجته (3).

شطب الحواف (انظر الصورة P)

يسمح المز على شكل V الموجود في نعل المسماح الأمامي بشطب حواف قطعة الشغل بشكل سريع وسهل. استخدم المز على شكل V المناسب حسب عرض الشطب المرغوب. للقيام بهذا ضع المسماح وبه المز على شكل V على حافة قطعة الشغل ومرره عليها.

المز المستخدم	القياس a (مم)
لا يوجد	0-2,5
صغير	1,5-4,0
متوسطة	2,0-4,5
كبير	3,0-5,5



السمج باستخدام مصد التوازي (انظر الصور K-M)

قم بتركيب مصد التوازي (24) بواسطة لولب التثبيت (27) في العدة الكهربائية. حسب نوع العمل، قم بتركيب دليل عمق التفريز (31) بواسطة لولب التثبيت (30) بالعدة الكهربائية.

قم بحل صامولة التثبيت (26) واضبط عرض التفريز المرغوب على المقياس (25). أحكم ربط صامولة التثبيت (26) مرة أخرى.

اضبط عمق التفريز المرغوب بواسطة دليل عمق التفريز (31) بطريقة مناسبة.

كرر عملية السمج عدة مرات إلى أن تتوصل إلى عمق التفريز المرغوب. وجه المسماح بضغط ارتكاز جانبي.

الصيانة والخدمة

الصيانة والتنظيف

◀ **انزع المرمك عن العدة الكهربائية قبل إجراء أي أعمال بالعدة الكهربائية (مثلاً: الصيانة، استبدال العدد وإلخ..)** وأيضاً عند نقلها أو تخزينها. هناك خطر إصابة بجروح عند الضغط على مفتاح التشغيل والإطفاء بشكل غير مقصود.

◀ **لعمل بشكل جيد وأمن حافظ دائماً على نظافة العدة الكهربائية وفتحات التهوية.**

حافظ على حرية الحركة الفاصلة بسنادة التخزين (32) ونظفها بشكل دوري.

التخلص من العدة الكهربائية

يجب التخلص من العدة الكهربائية والمركم والتوابع والتغليف بطريقة صديقة للبيئة عن طريق النفايات القابلة لإعادة التصنيع.

لا تلقِ العدد الكهربائي والمراكم/البطاريات ضمن النفايات المنزلية!



المراكم/البطاريات:

مراكم أيونات الليثيوم:

يرجى مراعاة الإرشادات الواردة في جزء النقل (انظر „النقل“، الصفحة 92).

تنطفي العدة الكهربائية من تلقاء نفسها، عند استهلاك فحمات الجليخ. ينبغي إرسال العدة الكهربائية إلى مركز خدمة العملاء لكي تتم صيانتها، تجد عناوين في جزء «خدمة العملاء واستشارات الاستخدام».

تغيير سير الدفع (انظر الصور Q-R)

قم بفك اللولب (8) واخلع غطاء السير (9). قم بخلع سير الدفع التالف (33).

قبل تركيب سير الدفع (33) الجديد، قم بتنظيف عجلتي الدفع (34) و (35).

ضع سير الدفع (33) الجديد على عجلة السير الصغيرة (35) أولاً ثم اضغط سير الدفع (33) أثناء إدارته يدويا على عجلة السير الكبيرة (34).

احرص على إدارة سير الدفع (33) في المزوز الطولية بعجلتي السير (34) أو (35) بشكل دقيق.

ركب غطاء السير (9) وأحكام شد اللولب (8).

خدمة العملاء واستشارات الاستخدام

يجب مركز خدمة العملاء على الأسئلة المتعلقة بإصلاح المنتج وصيانتها، بالإضافة لقطع الغيار. تجد الرسوم التفصيلية والمعلومات الخاصة بقطع الغيار في الموقع: www.bosch-pt.com

يسر فريق Bosch لاستشارات الاستخدام مساعدتك إذا كان لديك أي استفسارات بخصوص منتجاتنا وملحقاتها.

يلزم ذكر رقم الصنف ذو الخانات العشر وفقاً للوحة صنع المنتج عند إرسال أية استفسارات أو طلبات قطع غيار.

المغرب

Robert Bosch Morocco SARL

53، شارع الملازم محمد مرود

20300 الدار البيضاء

الهاتف: +212 5 29 31 43 27

البريد الإلكتروني: sav.outillage@ma.bosch.com

تجد المزيد من عناوين الخدمة تحت:

www.bosch-pt.com/serviceaddresses

النقل

تخضع مراكم أيونات الليثيوم الموصى بها لاشتراطات قانون المواد الخطرة. يسمح للمستخدم أن يقوم بنقل المراكم على الطرقات دون التقييد بأية شروط إضافية.

عندما يتم إرسالها عن طريق طرف آخر (مثلاً: الشحن الجوي أو شركة شحن)، يتوجب التقييد بشروط خاصة بصدد التغليف ووضع العلامات. ينبغي استشارة خبير متخصص بنقل المواد الخطيرة عندما يرغب بتحضير المركم المراد شحنه في هذه الحالة.

لا تقوم بشحن المراكم إلا إذا كان هيكلها الخارجي سليم. قم بتغطية الملامسات المكشوفة بلاصقات، وقم بتغليف المركم بحيث لا يتحرك في الطرد. يرجى أيضاً مراعاة التشريعات المحلية المتعلقة إن وجدت.

فارسی

دستورات ایمنی

نکات ایمنی عمومی برای ابزارهای برقی

⚠ هشدار

کلیه هشدارها،

دستورالعملها، تصاویر و

مشخصات ارائه شده به همراه ابزار برقی را

مطالعه کنید. اشتباهات ناشی از عدم رعایت این

دستورات ایمنی ممکن است باعث برق گرفتگی،

سوختگی و یا سایر جراحات های شدید شود.

کلیه هشدارهای ایمنی و راهنماییها را برای

آینده خوب نگهداری کنید.

عبارت «ابزار برقی» در هشدارها به ابزارهایی که به

پریز برق متصل میشوند (با سیم برق) و یا ابزارهای

برقی باتری دار (بدون سیم برق) اشاره دارد.

ایمنی محل کار

◀ محیط کار را تمیز و روشن نگه دارید.

محیطهای در هم ریخته یا تاریک احتمال بروز حادثه

را افزایش میدهند.

◀ ابزار برقی را در محیطهایی که خطر انفجار

وجود دارد و حاوی مایعات، گازها و بخارهای

مخترقه هستند، به کار نگیرید. ابزارهای برقی

چرقههایی ایجاد میکنند که میتوانند باعث آتش

گرفتن گرد و غبارهای موجود در هوا شوند.

◀ هنگام کار با ابزار برقی، کودکان و سایر

افراد را از دستگاه دور نگه دارید. در

صورتیکه حواس شما پرت شود، ممکن است

کنترل دستگاه از دست شما خارج شود.

ایمنی الکتریکی

◀ دوشاخه ابزار برقی باید با پریز برق تناسب

داشته باشد. هیچگونه تغییری در دوشاخه

ایجاد نکنید. مبدل دوشاخه نباید همراه با

ابزار برقی دارای اتصال زمین استفاده شود.

دوشاخههای اصل و تغییر داده نشده و پریزهای

مناسب، خطر برق گرفتگی را کاهش میدهند.

◀ از تماس بدنی با قطعات متصل به سیم

اتصال زمین مانند لوله، شوفاژ، اجاق برقی و

یخچال خودداری کنید. در صورت تماس بدنی با

سطوح و قطعات دارای اتصال به زمین و همچنین

تماس شما با زمین، خطر برق گرفتگی افزایش

می یابد.

◀ ابزارهای برقی را در معرض باران و رطوبت

قرار ندهید. نفوذ آب به ابزار برقی، خطر شوک

الکتریکی را افزایش میدهد.

◀ از سیم دستگاه برای مقاصد دیگر استفاده

نکنید. هرگز برای حمل ابزار برقی، کشیدن آن

یا خارج کردن دوشاخه از سیم دستگاه

استفاده نکنید. کابل دستگاه را از حرارت،

روغن، لیبهای تیز یا قطعات متحرک دور نگه

دارید. کابلهای آسیب دیده و یا گره خورده خطر

شوک الکتریکی را افزایش میدهند.

◀ هنگام استفاده از ابزار برقی در محیطهای

باز، تنها از کابل رابطی استفاده کنید که برای

محیط باز نیز مناسب باشد. کابل های رابط

مناسب برای محیط باز، خطر برق گرفتگی را کم می کنند.

◀ در صورت لزوم کار با ابزار برقی در محیط و

اماکن مرطوب، باید از یک کلید حفاظتی

جریان خطا و نشستی زمین (کلید قطع کننده

اتصال با زمین) استفاده کنید. استفاده از

کلید حفاظتی جریان خطا و نشستی زمین خطر برق

گرفتگی را کاهش می دهد.

رعایت ایمنی اشخاص

◀ حواس خود را خوب جمع کنید، به کار خود

دقت کنید و با فکر و هوشیاری کامل با ابزار

برقی کار کنید. در صورت خستگی و یا در

صورتی که مواد مخدر، الکل و دارو استفاده

کردهاید، با ابزار برقی کار نکنید. یک لحظه بی

توجهی هنگام کار با ابزار برقی، میتواند جراحات

های شدیدی به همراه داشته باشد.

◀ از تجهیزات ایمنی شخصی استفاده کنید.

همواره از عینک ایمنی استفاده نمایید.

استفاده از تجهیزات ایمنی مانند ماسک ضد گرد و

غبار، کفشهای ایمنی ضد لغزش، کلاه ایمنی و

گوشی محافظ متناسب با نوع کار با ابزار برقی،

خطر مجروح شدن را کاهش میدهد.

◀ مواظب باشید که ابزار برقی بطور ناخواسته

بکار نیفتد. قبل از وارد کردن دوشاخه

دستگاه در پریز برق، اتصال آن به باتری،

برداشتن آن و یا حمل دستگاه، باید دقت

کنید که ابزار برقی خاموش باشد. در صورتی

که هنگام حمل دستگاه انگشت شما روی دکمه

قطع و وصل باشد و یا دستگاه را در حالت روشن

به برق بزنید، ممکن است سوانح کاری پیش آید.

◀ قبل از روشن کردن ابزار برقی، همه ابزارهای

تنظیم کننده و آچارها را از روی دستگاه

بردارید. ابزار و آچارهایی که روی بخش های

چرخنده دستگاه قرار دارند، میتوانند باعث ایجاد

جراحات شوند.

◀ وضعیت بدن شما باید در حالت عادی قرار

داشته باشد. برای کار جای مطمئنی برای

خود انتخاب کرده و تعادل خود را همواره

حفظ کنید. به این ترتیب میتوانید ابزار برقی را در

وضعتهای غیر منظره بهتر تحت کنترل داشته

باشید.

◀ لباس مناسب بپوشید. از پوشیدن لباسهای

گشاد و حمل زینت آلات خودداری کنید.

موها و لباس خود را از بخشهای در حال

چرخش دستگاه دور نگه دارید. لباسهای

گشاد، موی بلند و زینت آلات ممکن است در

قسمتهای در حال چرخش دستگاه گیر کنند.

◀ در صورتی که تجهیزاتی برای اتصال وسائل

مکش گرد و غبار و یا وسیله جمع کننده گرد

و غبار ارائه شده است، باید مطمئن شوید

که این وسائل درست نصب و استفاده

می شوند. استفاده از وسائل مکش گرد و غبار

مصونیت شما را در برابر گرد و غبار زیادتیر میکند.

◀ آشنایی با ابزار به دلیل کار کردن زیاد با آن

نباید باعث سهل انگاری شما و نادیده گرفتن

اصول ایمنی شود. بی دقتی ممکن است باعث

بروز جراحاتی در عرض کسری از ثانیه شود.

شوند. ایجاد اتصالی بین دو قطب باتری (ترمینالهای باتری) میتواند باعث سوختگی و ایجاد حریق شود.

استفاده بی رویه از باتری میتواند باعث خروج مایعات از آن شود؛ از هر گونه تماس با این مایعات خودداری کنید. در صورت تماس اتفاقی با آن، دست خود و یا محل تماس را با آب بشوئید. در صورت آلوده شدن چشم با این مایع، باید به پزشک مراجعه کنید. مایع خارج شده از باتری میتواند باعث التهاب پوست و سوختگی شود.

هرگز از باتری یا ابزار آسیب دیده یا دست کاری شده استفاده نکنید. باتریهای آسیب دیده ممکن است کارکرد غیر منتظرهای داشته باشند و منجر به آتش سوزی، انفجار یا جراحت شوند.

باتری یا ابزار را در معرض آتش یا دمای زیاد قرار ندهید. قرار گرفتن در معرض آتش یا دمای بالاتر از 130 درجه سانتیگراد میتواند باعث انفجار شود.

همه راهنماییهای مربوط به شارژ را رعایت کنید و باتری یا ابزار را خارج از محدوده دمای تعریف شده در دستورات شارژ نکنید. شارژ کردن نادرست یا در دمای خارج از محدوده تعریف شده ممکن است به باتری صدمه بزند و خطر آتش سوزی را افزایش دهد.

سرویس

برای تعمیر ابزار برقی فقط به متخصصین حرفهای رجوع کنید و از قطعات یدکی اصل استفاده نمایید. این باعث خواهد شد که ایمنی دستگاه شما تضمین گردد.

هرگز باتریهای آسیب دیده را تعمیر نکنید. باتری باید تنها توسط متخصصین مجاز شرکت تعمیر شوند.

دستورات ایمنی برای رنده

قبل از تنظیم ابزار، صبر کنید تا تیغه برش شود. محور تیغه چرخان و آزاد میتواند با سطح درگیر شود و منجر به از دست دادن کنترل یا ایجاد جراحات گردد.

جهت ایمن و تثبیت کردن قطعه کار از گیره یا سایر راههای تثبیت قطعه استفاده کنید. نگهداشتن قطعه کار با دست یا تکیه دادن آن به بدن باعث بی ثباتی آن و از دست دادن کنترل روی آن میگردد.

ابزار برقی را تنها در حال روشن بودن به طرف قطعه کار برانید. در غیر اینصورت ممکن است ابزار روی دستگاه در قطعه کار گیر کرده و باعث ضربه زدن (پس زدن) دستگاه شود.

دستهای خود را به محل خروج تراشه نزدیک نکنید. ممکن است، خود را با قسمتهای در حال چرخش مجروح کنید.

هرگز اشیاء فلزی، پیچ یا میخ را رنده نکنید. تیغه و محور تیغه میتوانند صدمه دیده و باعث شوند که لرزش ها زیاد بشوند.

برای پیدا کردن لوله ها و سیم های پنهان موجود در ساختمان و محدوده کار، از یک

استفاده صحیح از ابزار برقی و مراقبت از آن

از وارد کردن فشار زیاد روی دستگاه خودداری کنید. برای هر کاری، از ابزار برقی مناسب با آن استفاده کنید. بکار گرفتن ابزار برقی مناسب باعث میشود که بتوانید از توان دستگاه بهتر و با اطمینان بیشتر استفاده کنید.

در صورت ایراد در کلید قطع و وصل ابزار برقی، از دستگاه استفاده نکنید. ابزار برقی که نمی توان آنها را قطع و وصل کرد، خطرناک بوده و باید تعمیر شوند.

قبل از تنظیم ابزار برقی، تعویض متعلقات و یا کنار گذاشتن آن، دوشاخه را از برق بکشید و یا باتری آنرا خارج کنید. رعایت این اقدامات پیشگیری ایمنی از راه افتادن ناخواسته ابزار برقی جلوگیری می کند.

ابزار برقی را در صورت عدم استفاده، از دسترس کودکان دور نگه دارید و اجازه ندهید که افراد ناوارد و یا اشخاصی که این دفترچه راهنما را نخواندهاند، با این دستگاه کار کنند. قرار گرفتن ابزار برقی در دست افراد ناوارد و بی تجربه خطرناک است.

از ابزار برقی و متعلقات خوب مراقبت کنید. مواظب باشید که قسمت های متحرک دستگاه خوب کار کرده و گیر نکنند. همچنین دقت کنید که قطعات ابزار برقی شکسته و یا آسیب دیده نباشند. قطعات آسیب دیده را قبل از شروع به کار تعمیر کنید. علت بسیاری از سوانح کاری، عدم مراقبت کامل از ابزارهای برقی می باشد.

ابزار برش را تیز و تمیز نگه دارید. ابزار برشی که خوب مراقبت شده و از لبه های تیز برخوردار است، کمتر در قطعه کار گیر کرده و بهتر قابل هدایت است.

ابزار برقی، متعلقات، متهای دستگاه و غیره را مطابق دستورات این جزوه راهنما به کار گیرید و به شرایط کاری و نوع کار نیز توجه داشته باشید. استفاده از ابزار برقی برای عملیاتی به جز مقاصد در نظر گرفته شده، میتواند به بروز شرایط خطرناک منجر شود.

دستها و سطوح عایق را همواره خشک، تمیز و عاری از روغن و گریس نگه دارید. دسته های لغزنده مانع ایمنی و کنترل در کار در شرایط غیر منتظره هستند.

مراقبت و طرز استفاده از ابزارهای شارژی

باتریها را منحصراً توسط شارژرهایی که توسط سازنده توصیه شدهاند، شارژ کنید. در صورتی که برای شارژ باتری، آنرا در شارژری قرار دهید که برای آن باتری ساخته نشده است، خطر آتش سوزی وجود دارد.

در ابزارهای برقی فقط از باتریهایی استفاده کنید که برای آن نوع ابزار برقی در نظر گرفته شدهاند. استفاده از باتریهای مترقیه میتواند منجر به بروز جراحت و حریق گردد.

در صورت عدم استفاده از باتری باید آنرا از گیره های فلزی، سکه، کلید، میخ، پیچ و دیگر وسائل کوچک فلزی دور نگه دارید، زیرا این وسائل ممکن است باعث ایجاد اتصالی

اجزاء دستگاہ

شماره گذاری تصاویر اجزاء دستگاہ بر اساس شکل ابزار برقی در صفحه تصاویر است.

- (1) صفحه درجه بندی عمق تراش
 - (2) دکمه چرخشی برای تنظیم عمق تراش (دارای روکش عایق)
 - (3) خروجی تراشه (دارای انتخاب راست/چپ)
 - (4) قفل ایمنی کلید روشن/خاموش
 - (5) کلید روشن/خاموش
 - (6) باتری قابل شارژ^(a)
 - (7) دکمه آزادسازی باتری قابل شارژ^(a)
 - (8) پیچ برای پوشش تسمه
 - (9) پوشش تسمه
 - (10) اهرم تغییر برای خروجی تراشه
 - (11) کفی رنده
 - (12) شیار V شکل
 - (13) آپاریکس با دسته T شکل/آچار تورکس
 - (14) پیچ تثبیت فک گیره
 - (15) فک گیره
 - (16) سر تیغه
 - (17) شیار راهنما برای تیغه رنده
 - (18) تیغه رنده HSS
 - (19) قلاب نگهدارنده تیغه رنده HSS
 - (20) پیچ اتصال قلاب نگهدارنده تیغه رنده HSS
 - (21) تجهیزات تیز کردن تیغه برای تیغه رنده HSS
 - (22) شابلون تنظیم تیغه رنده HSS
 - (23) تیغه رنده HM/TC^(a)
 - (24) خط کش راهنمای موازی
 - (25) صفحه درجه بندی برای پهنای دو راهه
 - (26) مهره تثبیت برای تنظیم پهنای دو راهه
 - (27) پیچ تثبیت برای خط کش راهنمای موازی
 - (28) شیلنگ مکش (قطر 35 mm)^(a)
 - (29) کیسه تراشه و گرد و غبار^(a)
 - (30) پیچ اتصال برای تنظیم کننده عمق دو راهه^(a)
 - (31) تنظیم کننده عمق دو راهه^(a)
 - (32) کفش پارک
 - (33) تسمه موتور
 - (34) چرخ تسمه بزرگ
 - (35) چرخ تسمه کوچک
 - (36) دسته (دارای روکش عایق)
 - (37) آداپتور برای تبدیل تیغه رنده HSS به TC^(a)
 - (38) نشانگر وضعیت شارژ باتری قابل شارژ در ابزار برقی
- (a) کلیه متعلقاتی که در تصویر و یا در متن آمده است، بطور معمول همراه دستگاہ ارائه نمیشود. لیست کامل متعلقات را در برنامه متعلقات ما می یابید.

دستگاہ ردیاب مخصوص برای یافتن لوله ها و سیمهای تأسیسات استفاده کنید و یا با شرکت های کارهای تأسیسات ساختمان و خدمات مربوطه تماس بگیرید. تماس با کابل و سیمهای برق ممکن است باعث آتسسوزی و یا برق گرفتگی شود. ایراد و آسیب دیدگی لوله گاز میتواند باعث انفجار شود. سوراخ شدن لوله آب باعث ایجاد خسارت میشود.

◀ رنده را هنگام کار طوری نگهدارید که کف رنده همسطح روی قطعهکار قرار گیرد. وگرنه ممکن است که رنده گیر بکند و باعث زخمی شدن شما بشود.

◀ در صورتیکه باتری آسیب دیده باشد و یا از آن بطور بی رویه استفاده شود، ممکن است از باتری بخارهایی بلند شود. باتری ممکن است آتش بگیرد یا منفجر شود. در این حالت هوای محیط را تازه کنید؛ اگر احساس ناراحتی کردید، به پزشک مراجعه نمایید. استنشاق این بخارها ممکن است به مجاری تنفسی شما آسیب برساند.

◀ باتری را باز نکنید. خطر اتصال کوتاه وجود دارد. ◀ بوسیله ی اشیاء تیز مانند میخ یا پیچکوشی یا تأثیر نیروی خارجی ممکن است باتری آسیب ببیند. ممکن است اتصالی داخلی رخ دهد و باتری آتش گیرد، دود کند، منفجر شود یا بیش از حد داغ گردد.

◀ تنها از باتری برای محصولات تولیدی شرکت استفاده کنید. فقط در اینصورت باتری در برابر خطر اعمال فشار بیش از حد محافظت میشود.

باتری را در برابر حرارت، از جمله در برابر تابش مداوم خورشید و همچنین در برابر آتش، آلودگی، آب و رطوبت محفوظ بدارید. خطر اتصالی و انفجار وجود دارد.



◀ ابزار برقی را هنگام کار با دو دست محکم بگیرید و وضعیت خود را ثابت و مطمئن کنید. ابزار برقی با دو دست مطمئن تر هدایت می شود.

توضیحات محصول و کارکرد

همه دستورات ایمنی و راهنماییها را بخوانید. اشتباهات ناشی از عدم رعایت این دستورات ایمنی ممکن است باعث برقگرفتگی، سوختگی و یا سایر جراحات های شدید شود.



به تصویرهای واقع در بخشهای اول دفترچه راهنما توجه کنید.

موارد استفاده از دستگاہ

ابزار برقی برای رنده کاری مواد چوبی و نیز تیر و تخته در حالت ثابت در نظر گرفته شده است. همچنین برای مورب کردن لبه ها و شیار انداختن مناسب است.

مشخصات فنی

رنده		GHO 185-LI
شماره فنی		3 601 EB5 0..
ولتاژ نامی	=V	18
سرعت در حالت آزاد ^(A)	min ⁻¹	14000
عمق تراش	mm	0-2,6
عمق دو راهه	mm	0-9
حداکثر عرض رنده	mm	82
وزن مطابق استاندارد EPTA-Procedure ^(B01:2014)	kg	2,6-3,7
دمای توصیه شده محیط هنگام شارژ	°C	0 ... +35
دمای مجاز محیط هنگام کار ^(C) و هنگام انبار کردن	°C	-20 ... +50
باتری های قابل شارژ		GBA 18V... ...ProCORE18V
شارژرهای توصیه شده		GAL 18... GAX 18... ...GAL 36

(A) اندازه گیری شده در دمای °C 20-25 با باتری قابل شارژ **GBA 18V 4.0Ah**.

(B) بسته به نوع باتری کاربردی

(C) توان محدود برای دمای °C 0 <

مقادیر ممکن است بسته به محصول متفاوت باشند و بستگی به شرایط استفاده و محیطی دارند. اطلاعات بیشتر را در سایت www.bosch-professional.com/wac مشاهده نمایید.

باتری قابل شارژ دارای 2 مرحله قفل می باشد که مانع از بیرون افتادن باتری قابل شارژ در اثر فشار ناخواسته روی دکمه آزادسازی باتری می شود. تا زمانی که باتری قابل شارژ داخل ابزار برقی قرار داشته باشد، توسط یک فنر در موقعیت خود نگه داشته می شود.

نشانهگر وضعیت شارژ باتری روی باتری

نکته: هر نوع باتری قابل شارژ دارای نشانگر میزان شارژ نیست.

چراغهای سبز LED نشانگر وضعیت شارژ باتری، وضعیت شارژ باتری را نشان میدهند. به دلایل ایمنی، فراخوانی وضعیت شارژ باتری تنها در حالت توقف ابزار برقی ممکن است.

دکمه را جهت پدیدار شدن نشانگر وضعیت شارژ^(*) یا وضعیت شارژ فشار دهید. این کار هنگامی که باتری برداشته شده باشد نیز ممکن است.

چنانچه پس از فشردن دکمه نشانگر وضعیت شارژ هیچ LED روشن نشود، باتری خراب است و باید تعویض گردد.

نوع باتری GBA 18V...



ظرفیت LED	ظرفیت
3 عدد چراغ سبز ممتد	60-100 %
2 عدد چراغ سبز ممتد	30-60 %
1 عدد چراغ سبز ممتد	5-30 %
1 عدد چراغ سبز چشمک زن	0-5 %

نوع باتری ProCORE18V...



ظرفیت LED	ظرفیت
5 عدد چراغ سبز ممتد	80-100 %
4 عدد چراغ سبز ممتد	60-80 %
3 عدد چراغ سبز ممتد	40-60 %
2 عدد چراغ سبز ممتد	20-40 %
1 عدد چراغ سبز ممتد	5-20 %
1 عدد چراغ سبز چشمک زن	0-5 %

نشانهگر وضعیت شارژ باتری قابل شارژ در ابزار برقی

هنگامی که ابزار برقی روشن باشد، نشانگر وضعیت شارژ باتری، ظرفیت باقیمانده باتری یا وجود اضافه بار را نشان می دهد.

ظرفیت LED	ظرفیت
3 عدد چراغ سبز ممتد	60-100 %
2 عدد چراغ سبز ممتد	30-60 %
1 عدد چراغ سبز ممتد	5-30 %
1 عدد چراغ سبز چشمک زن	0-5 %

باتری قابل شارژ

Bosch ابزارهای برقی شارژی را هم بدون باتری قابل شارژ می فروشد. در بسته بندی می توانید دریابید که آیا باتری قابل شارژ در محتویات ارسالی ابزار برقی شما وجود دارد یا خیر.

شارژ کردن باتری قابل شارژ

◀ **تنها شارژرهای ذکر شده در مشخصات فنی را بکار برید.** تنها این دستگاه های شارژ با باتری های لیتیوم-یونی (Li-Ion) ابزار برقی شما منطبق میباشند.

نکته: باتری های قابل شارژ لیتیوم یونی به دلیل قوانین حمل و نقل بین المللی به صورت نیمه شارژ تحویل داده می شوند. برای دست یافتن به توان کامل باتری قابل شارژ، قبل از به کارگیری آن برای اولین بار، باتری را به طور کامل شارژ کنید.

نحوه قرار دادن باتری قابل شارژ

باتری شارژ شده را به داخل محفظه باتری قابل شارژ برانید تا جا بیفتد.

نحوه برداشتن باتری قابل شارژ

برای برداشتن باتری قابل شارژ، دکمه های آزادسازی باتری را فشار دهید و آن را خارج کنید. **هنگام انجام این کار از اعمال فشار خودداری کنید.**

- قلاب نگهدارنده (19) را همراه با تیغه رنده (18) از سر تیغه (16) یا شیار راهنما (17) بیرون بکشید.
 - سر تیغه را به مقدار 180° بچرخانید و تیغه رنده دوم را بردارید.
- نکته:** قبل از تعویض یا تیز کردن تیغه های رنده، گیره نگهدارنده (19) را با شل کردن پیچ تثبیت (20) جدا کنید.

تیز کردن تیغه رنده HSS (رجوع کنید به تصویر D)

- با استفاده از تجهیزات تیز کننده (21) (متعلقات) و یک سنگ تیزکن می توان کندی یا فرسودگی تیغه رنده های HSS را تیز کرد.
- هر دو تیغه رنده را در دستگاه تراش و تیز کننده قرار داده و آنها را با پیچ پروانه ای سفت ببندید. توجه بنمایید که هر دو تیغه رنده خوب جای بیافتند.
- تیغه رنده ای را که در دستگاه تراش و تیز کننده قرار داده اید بطور یکنواخت و با وارد کردن فشار کم بر روی سنگ تیز کننده حرکت بدهید.
- نکته:** تیغه ها می توانند تا بیشینه ی 6 میلیمتر روی پهنای 23 میلیمتری تیز شوند. پس آن بایستی هر دو تیغه را عوض کرد.

نصب تیغه رنده (رجوع کنید به تصاویر E-F)

- قبل از گذاشتن دوباره تیغه نو یا تیز شده، سر تیغه (16) و در صورت لزوم تیغه رنده (18) و گیره نگهدارنده (19) را تمیز کنید. تیغه رنده چسبناک را با الکل یا نفت تمیز کنید.
- نکته:** تیغه های رنده نو یا تیز شده باید قبل از قرار گرفتن همواره با ارتفاع صحیح تنظیم شوند.
- برای تنظیم ارتفاع تیغه رنده می توان از شابلون تنظیم (22) (متعلقات) استفاده کرد. تیغه رنده (18) و گیره نگهدارنده (19) را روی شابلون تنظیم قرار دهید. دقت کنید که گیره نگهدارنده (19) در شیار از پیش در نظر گرفته شده، جا بیفتد. تیغه رنده (18) را تا انتها فشار دهید و گیره نگهدارنده (19) را در همین موقعیت با پیچ تثبیت (20) محکم کنید. اینگونه تنظیم ارتفاع صحیح بدست می آید.
- باید تیغه رنده در وسط کف رنده (11) قرار گیرد و تراز شود. سپس 3 پیچ تثبیت (14) را توسط آچار بکس با دسته آ شکل (13) محکم کنید. در این حین روی فک گیره (15) ترتیب محکم کردن (3)2)1 را رعایت کنید.

- نکته:** قبل از راه اندازی از اتصال محکم پیچهای اتصال (14) اطمینان حاصل کنید. سر تیغه رنده (16) را با دست بچرخانید و مطمئن شوید که تیغه رنده به هیچ جا مالیده نمیشود.

تعویض تیغه رنده HM/TC

- ◀ **هنگام تعویض تیغه رنده احتیاط کنید. تیغه رنده را از لبه های بُرنده نگیرید.** لبه های تیز تیغه رنده ممکن است شما را زخمی کند.
- تنها از تیغه های رنده اصل Bosch HM/TC استفاده کنید.
- تیغه های رنده کاربردی (HM/TC) دارای 2 لبه هستند و می توانند از دو طرف مورد استفاده قرار گیرند. در صورتی که هر دو لبه کند شوند، باید تیغه

معنی	LED
محافظ اضافه بار فعال شده است	3 عدد چراغ چشمک زن
دمای باتری قابل شارژ خارج از محدوده دمای کاری است و/یا محافظ دمای ابزار برقی فعال شده است	LED چراغ چشمک زن مرکزی

توضیحات و تذکراتی برای نحوه بهینه کار با باتری

- باتری را در برابر رطوبت و آب حفظ کنید.
- باتری را منحصراً در دمای بین -20 تا 50 درجه نگهداری کنید. بطور مثال باتری را در تابستان داخل اتومبیل نگذارید.
- گاهبگاه شیارهای تهویه باتری را بوسیله یک قلم موی یا برس کوچک نرم و خشک تمیز کنید.
- افت قابل توجه مدت زمان کارکرد باتری که تازه شارژ شده است، نمایانگر آن است که باتری فرسوده و مستعمل شده و باید تعویض شود.
- به نکات مربوط به نحوه از رده خارج کردن باتری توجه کنید.

نصب

- ◀ **قبل از انجام هر گونه کاری با ابزار برقی از جمله سرویس، تعویض ابزار و غیره) و همچنین به هنگام حمل و نقل و یا در انبار نگهداری کردن، باتری را از داخل ابزار برقی خارج کنید.** در صورت تماس اتفاقی با کلید قطع و وصل، خطر آسیب دیدگی وجود دارد.

انتخاب تیغه رنده

- این وسیله برقی را میتوان با تیغه های مختلف رنده مجهز نمود.
- با قرار دادن تبدیل (37) (متعلقات) می توان تیغه رنده های (18) HSS را با تیغه رنده های HM/TC (23) جا به جا کرد.
- در زمان تعویض تیغه ها هر دو تیغه را تعویض بنمایید، وگرنه لنگی بوجود آمده باعث لرزش شده و عمر وسیله برقی را کوتاه خواهد نمود.

تعویض تیغه رنده HSS

- ◀ **هنگام تعویض تیغه رنده احتیاط کنید. تیغه رنده را از لبه های بُرنده نگیرید.** لبه های تیز تیغه رنده ممکن است شما را زخمی کند.
- باز کردن تیغه رنده (رجوع کنید به تصاویر A-C)**
 - جهت جایگزین کردن تیغه رنده، سر تیغه (16) را بچرخانید تا فک گیره (15) با کف رنده (11) موازی باشد.
 - هر 3 پیچ اتصال (14) را توسط آچار بکس با دسته T شکل (13) بیرون بکشید و فک گیره (15) را بردارید.

- رنده ها (23) را عوض نمود. تیغه رنده HM/TC را نباید تیز کرد.
- **برداشتن تیغه رنده (رجوع کنید به تصاویر G-H)**
- جهت بر عکس کردن یا جایگزین کردن تیغهای رنده، سر تیغه (16) را بچرخانید تا فک گیره (15) با کف رنده (11) موازی شود.
- هر سه پیچ اتصال (14) را بوسیله ی آچار آلن ستاره ای (13) حدود 1-2 چرخش شل کنید. فک گیره (15) نباید برداشته شود.
- سر تیغه رنده را کمی بچرخانید و با یک تکه چوب، تیغه رنده (23) کمی از طرف کنار سر تیغه رنده (16) بیرون برانید.
- سر تیغه را به مقدار 180° بچرخانید و تیغه ی رنده ی دوم را بردارید.

تعویض از HM/TC به HSS

- تیغه رنده های مجهز به HM/TC را می توان با تیغه های HSS عوض کرد.
- هر 3 پیچ اتصال (14) را بوسیله ی آچار آلن ستاره ای (13) بیرون بکشید و فک گیره (15) را بردارید.
- گیره نگهدارنده (19) را همراه با تیغه رنده (18) یا تبدیل (37) HM/TC از سر تیغه (16) بیرون بکشید.
- پیچها (20) را بردارید.
- تیغه رنده مونتاژی HSS (رجوع کنید به «نصب تیغه رنده (رجوع کنید به تصاویر E-F)»، صفحه 97) را نصب و آن را وسط کف رنده (11) تراز کنید.
- فک گیره (15) را قرار دهید و هر 3 پیچ اتصال (14) را بوسیله ی آچار آلن ستاره ای (13) محکم کنید. در این حین روی فک گیره (15) ترتیب سفت کردن (3) (2) (1) را رعایت کنید.

مکش گرد و غبار و تراشه

- گرد و غبار موادی مانند رنگ های دارای سرب، بعضی از چوب ها، مواد معدنی و فلزات میتوانند برای سلامتی مضر باشند. دست زدن و یا تنفس کردن گرد و غبار ممکن است باعث بروز آلرژی و یا بیماری مجاری تنفسی شخص استفاده کننده و یا افرادی که در آن نزدیکی میباشند، بشود.
- گرد و غبارهای مخصوصی مانند گرد و غبار درخت بلوط و یا درخت راش سرطان زا هستند، بخصوص ترکیب آنها با سایر موادی که برای کار بر روی چوب (کرومات، مواد برای محافظت از چوب) بکار برده میشوند. فقط افراد متخصص مجازند با موادی که دارای آزیست میباشند کار کنند.
- حتی الامکان از یک دستگاه مکش مناسب و درخور ماده (قطعه کار) استفاده کنید.
- توجه داشته باشید که محل کار شما از تهویه هوای کافی برخوردار باشد.
- توصیه میشود از ماسک تنفسی ایمنی با درجه فیلتر P2 استفاده کنید.
- به قوانین و مقررات معتبر در کشور خود در رابطه با استفاده از مواد و قطعات کاری توجه کنید.
- ◀ **از تجمع گرد و غبار در محل کار جلوگیری کنید.** گرد و غبار می توانند به آسانی مشتعل شوند. محفظه ی تراشه (3) را مرتب تمیز کنید. برای تمیز کردن محفظه ی تراشه ی بر شده از یک ابزار مناسب مانند یک تکه چوب، فشار هوا و غیره استفاده کنید.
- ◀ **دستهای خود را به محل خروج تراشه نزدیک نکنید.** ممکن است، خود را با قسمتهای در حال چرخش مجروح کنید.

نصب تیغه رنده (رجوع کنید به تصاویر I-J)

- شیار هادی تیغه رنده باعث میشود که موقع تعویض و یا برگرداندن تیغه رنده همیشه تنظیم ارتفاع یکنواخت وجود داشته باشد.
- در صورت لزوم جای نشستن تیغه در سر تیغه (16) و نیز تیغه رنده (23) را تمیز کنید.
- هنگام نصب دقت کنید تا تیغه ی رنده بدون عیب در قسمت گیرنده سر تیغه (16) قرار گیرد.
- باید تیغه ی رنده در وسط کف رنده (11) قرار گیرد و تراز شود. سپس هر 3 پیچهای اتصال (14) را با آچار آلن ستاره ای (13) سفت کنید. در این حین روی فک گیره (15) ترتیب سفت کردن (3) (2) (1) را رعایت کنید.
- **نکته:** قبل از راه اندازی از اتصال محکم پیچهای اتصال (14) اطمینان حاصل کنید. سر تیغه رنده (16) را با دست بچرخانید و مطمئن شوید که تیغه رنده به هیچ جا مالیده نمیشود.

کاربرد ابزارهای تجهیز

تعویض از HSS به HM/TC

- توسط تبدیل HM/TC می توان یک تیغه ااره مجهز به HSS را با یک تیغه ااره مجهز به HM/TC تعویض کرد.
- هر 3 پیچ اتصال (14) را بوسیله ی آچار آلن ستاره ای (13) بیرون بکشید و فک گیره (15) را بردارید.
- گیره نگهدارنده (19) را همراه با تیغه رنده (18) از سر تیغه (16) یا از شیار راهنما (17) بیرون بکشید.
- پیچها (20) را بردارید.
- گیره نگهدارنده (19) و تبدیل (37) را در خطکش تنظیم (22) قرار دهید. گیره نگهدارنده (19) بایستی در شیار واقع بر خطکش تنظیم قرار گیرد (رجوع کنید به تصویر S).
- تیغه رنده (23) HM/TC را از کنار به داخل تبدیل (37) برانید. زوار روی تبدیل (37) بایستی در این حین روی تیغه رنده HM/TC جا بیافتد (رجوع کنید به تصویر S).
- پیچها (20) را سفت کنید.
- گیره نگهدارنده (19) را همراه با تبدیل (37) و تیغه رنده (18) در سر تیغه (16) یا شیار راهنما (17) قرار دهید.

خارج کنید. در صورت تماس اتفاقی با کلید قطع و وصل، خطر آسیب دیدگی وجود دارد.

کفش پارک (رجوع کنید به تصویر O)

کفش پارک (32) قرار دادن ابزار برقی را بلافاصله پس از فرآیند کار بدون بروز خطر آسیب دیدگی قطعه کار یا تیغه رنده ممکن می کند. هنگام کار، کفش پارک (32) به بالا رانده و انتهای کف اره (11) آزاد می شود.

نکته: کفش پارک (32) را نباید جدا کرد.

فرآیند رنده کاری (رجوع کنید به تصویر O)

عمق تراش دلخواه را تنظیم کنید و ابزار برقی را با قسمت جلویی کف رنده (11) روی قطعه کار قرار دهید.

◀ ابزار برقی را تنها در حال روشن بودن به

طرف قطعه کار برانید. در غیر اینصورت ممکن است ابزار روی دستگاه در قطعه کار گیر کرده و باعث ضربه زدن (پس زدن) دستگاه شود.

وسيله برقی را روشن نموده و آنرا با حرکت یکنواخت بر روی سطح وسیله کاری بطرف جلو حرکت دهید. برای اینکه سطوح کار شما دارای کیفیت عالی باشد، لازم است که شما فقط با فشار کم و با فشار بر وسط کف رنده وسیله برقی را بمرکت در بیاورید. چنانچه شما بر روی اشیاء سخت مانند چوب های سفت کار میکنید و از حداکثر پهنای رنده استفاده می نمایید، عمق تراش را بسیار کم تنظیم نموده و در صورت لزوم از سرعت و فشار رنده بطرف جلو بکاهید.

سرعت و فشار زیاد رنده بطرف جلو باعث میشود که سطح کار شما دارای کیفیت خوبی نباشد و ممکن است که موجب گرفتگی آن قسمتی بشود که از آنجا تراشه ها بیرون ریخته میشوند. فقط تیغه های تیز رنده ها باعث کیفیت خوب برش های شما میشوند و در سالم ماندن وسیله برقی کمک میکنند.

کفش پارک (32) ادامه رنده کاری را پس از توقف در هر جای دلخواه روی قطعه کار ممکن می سازد:

- وسیله برقی را با کفش پارکینگی را که آنرا بطرف پایین خم کرده اید، بر روی قطعه کاری را که متوقف کرده بودید بگذارید و به رنده کردن خود ادامه دهید.

- ابزار برقی را روشن کنید.
- فشار روی کار را به کف جلویی رنده منتقل کنید و ابزار برقی را آرام به جلو برانید (1). در این حالت، کفش پارک به بالا می رود (2)، به طوری که قسمت عقبی کف رنده روی قطعه کار قرار می گیرد.
- ابزار برقی را با فشار متعادل روی سطح مورد کار (3) حرکت دهید.

تماس با لبه ها (رجوع کنید به تصویر P)

شیار هایی که در قسمت جلوی کف رنده وجود دارند، دست زدن سریع و ساده به لبه های قطعه های کاری را ممکن میسازند. از شیار V-شکل مربوط بر حسب عرض یخ استفاده کنید. از این جهت رنده را از شیار V شکل روی قطعه کار قرار دهید و رنده را در امتداد آن برانید.

جهت تضمین مکش ایده آل همیشه از یک تجهیزات مکش مجزا یا یک کیسه تراشه/گرد و غبار استفاده کنید.

مکش خارجی (رجوع کنید به تصویر N)

روی محفظه تراشه می توان از هر دو طرف یک شلنگ مکش (قطر 35 میلیمتر) (28) (متعلقات) قرار داد.

شلنگ مکند (28) را به یک مکند (متعلقات) وصل کنید. تشریح نحوه اتصال مکند های مختلف را در انتهای این دفترچه راهنما می یابید.

دستگاه مکند باید برای قطعه کار مورد نظر مناسب باشد.

برای مکش گرد و غباری که برای سلامتی مضرند و سرطان زا هستند و یا برای مکش تراشه های خشک باید از یک دستگاه مکند مخصوص استفاده کنید.

مکش سرخود (رجوع کنید به تصویر N)

برای انجام کارهای کوچک می توانید از کیسه جمع آوری گرد و غبار و تراشه (متعلقات) (29) استفاده کنید. آداپتور مکش را در محفظه تراشه (3) فرو کنید. کیسه جمع آوری گرد و غبار و تراشه (29) را به موقع تخلیه کنید تا مکش بهینه انجام گیرد.

محفظه تراشه قابل تنظیم

با اهرم تغییر (10) می توان محفظه تراشه (3) را به راست یا چپ عوض کرد. اهرم تغییر (10) را همواره تا جا افتادن به انتها فشار دهید. جهت خروج تراشه با یک فلش روی اهرم تغییر (10) نشان داده می شود.

طرز کار با دستگاه

راه اندازی و نحوه کاربرد دستگاه

تنظیم عمق تراش

با دکمه چرخشی (2) می توان عمق تراش را بدون درجه از 0-2,6 میلیمتر به کمک صفحه درجه بندی عمق تراش (1) (تقسیم درجه = 0,1 میلیمتر) تنظیم کرد.

نحوه روشن/خاموش کردن

◀ از فعال کردن کلید قطع و وصل بدون رها کردن دسته مطمئن شوید.

جهت راه اندازی ابزار برقی، ابتدا قفل کلید (4) را فعال کنید و سپس کلید روشن/خاموش (5) را فشرده نگه دارید.

برای خاموش کردن ابزار برقی، کلید روشن/خاموش (5) را رها کنید.

نکته: بنا به دلایل ایمنی، کلید روشن/خاموش (5) را نمی توان تثبیت و قفل کرد، بلکه آنرا باید در حین کار همواره در حالت فشرده نگه داشت.

راهنماییهای عملی

◀ قبل از انجام هر گونه کاری با ابزار برقی از جمله سرویس، تعویض ابزار و غیره) و همچنین به هنگام حمل و نقل و یا در انبار نگهداری کردن، باتری را از داخل ابزار برقی

خدمات و مشاوره با مشتریان

خدمات مشتری، به سؤالات شما درباره تعمیرات، سرویس و همچنین قطعات یدکی پاسخ خواهد داد. نقشه‌های سه بعدی و اطلاعات مربوط به قطعات یدکی را در تارنمای زیر میبایید:

www.bosch-pt.com

گروه مشاوره به مشتریان Bosch با کمال میل به سؤالات شما درباره محصولات و متعلقات پاسخ می‌دهند.

برای هرگونه سؤال و یا سفارش قطعات یدکی، حتماً شماره فنی 10 رقمی کالا را مطابق برچسب روی ابزار برقی اطلاع دهید.

ایران

روبرت بوش ایران - شرکت بوش تجارت پارس
میدان ونک، خیابان شهید خدای، خیابان آفتاب
ساختمان مادران، شماره 3، طبقه سوم.

تهران 1994834571

تلفن: 42039000 +9821

آدرس سایر دفاتر خدماتی را در ادامه ببایید:

www.bosch-pt.com/serviceaddresses

حمل دستگاه

باتری های لیتیوم یونی توصیه شده، مشمول الزامات قانون کالاهای خطرناک هستند. کاربر می تواند باتری ها را بدون استفاده از روکش در خیابان حمل کند.

در صورت ارسال توسط شخص ثالث (مانند: حمل و نقل هوایی یا زمینی) باید تمهیدات مربوط به بسته بندی و علامتگذاری مورد توجه قرار گیرد. در اینصورت باید حتما جهت آماده سازی قطعه ارسالی به کارشناس حمل کالاهای پر خطر مراجعه کرد. باتریها را فقط در صورتی ارسال کنید که بدنه آنها آسیب ندیده باشد. اتصالات (کنتاکتهای) باز را بپوشانید و باتری را طوری بسته بندی کنید که در بسته بندی تکان نخورد. در این باره لطفاً به مقررات و آیین نامه های ملی توجه کنید.

از رده خارج کردن دستگاه

ابزارهای برقی، باتری ها، متعلقات و بسته بندی ها، باید طبق مقررات حفظ محیط زیست از رده خارج و بازیافت شوند.



ابزار برقی و باتری ها/ باتری های قابل شارژ را داخل زباله دان خانگی نیندازید!



باتریهای شارژی/قلمی:

لیتیوم-یونی:

لطفاً به تذکرات بخش (رجوع کنید به «حمل دستگاه»، صفحه 100) توجه کنید.

شیار بکار رفته اندازه a (میلیمتر)

2,5-0

4,0-1,5

4,5-2,0

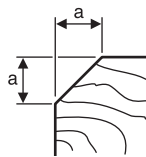
5,5-3,0

بدون

کوچک

متوسط

بزرگ



رنده کاری با خط کش راهنمای موازی (رجوع کنید به تصاویر K-M)

خط کش راهنمای موازی (24) را با پیچ تثبیت (27) روی ابزار برقی نصب کنید. برحسب نوع کاربری، تنظیم کننده عمق دوراهه (31) را با پیچ تثبیت (30) روی ابزار برقی نصب کنید.

مهره تثبیت (26) را شل کنید و عرض شیار دلخواه را روی درجه بندی (25) تنظیم کنید. مهره تثبیت (26) را دوباره سفت کنید.

عمق شیار دلخواه را به کمک تنظیم کننده عمق دوراهه (31) به طور مناسب تنظیم کنید.

چندین بار کار رنده کردن را تکرار نمایید تا عمق دلخواه بدست آید. بر روی رنده از کنار فشار آورده و هدایت کنید.

مراقبت و سرویس

مراقبت، تعمیر و تمیز کردن دستگاه

قبل از انجام هر گونه کاری با ابزار برقی از جمله سرویس، تعویض ابزار و غیره) و همچنین به هنگام حمل و نقل و یا در انبار نگهداری کردن، باتری را از داخل ابزار برقی خارج کنید. در صورت تماس اتفاقی با کلید قطع و وصل، خطر آسیب دیدگی وجود دارد.

ابزار الکتریکی و شیارهای تهویه آنرا تمیز نگاه دارید، تا ایمنی شما در کار تضمین گردد.

پارک کفش (32) را آزاد بگذارید و آن را مرتب تمیز کنید.

در صورت تمام شدن زغال، ابزار برقی بطور خودکار خاموش می شود. در اینصورت بایستی ابزار برقی در اسرع وقت به خدمات پس از فروش ارجاع گردد، آدرس های مربوطه را در بخش "خدمات و مشاوره به مشتریان" می یابید.

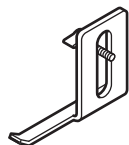
تعویض تسمه موتور (رجوع کنید به تصاویر Q-R)

پیچ (8) را کاملاً بیرون بکشید و روکش تسمه (9) را بردارید. تسمه موتور (33) بسته شده را بردارید. قبل از نصب یک تسمه موتور (33) هر دو چرخ تسمه (34) و (35) را تمیز کنید.

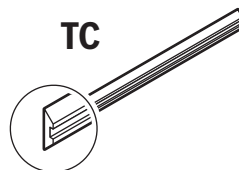
تسمه موتور (33) نو را ابتدا روی چرخ تسمه کوچک (35) قرار دهید و سپس تسمه موتور (33) را با چرخش توسط دست روی چرخ تسمه بزرگ (34) بیاندازید.

دقت کنید که تسمه موتور (33) درست روی فرورفتگی طولی چرخهای تسمه (34) یا (35) حرکت کند.

روکش تسمه (9) را قرار دهید و پیچ (8) را سفت کنید.

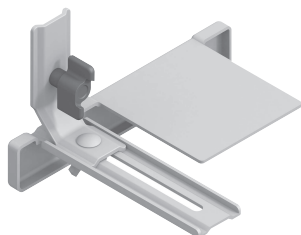


2 607 000 073

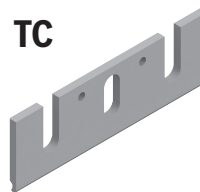


TC

2 607 000 194
(2x)

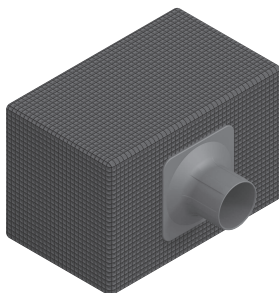


2 607 000 102

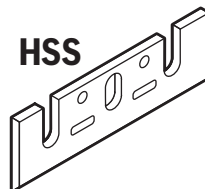


TC

1 619 PB3 487

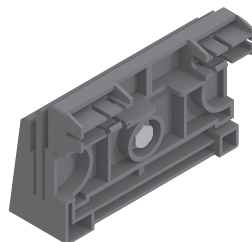


1 619 PC1 532

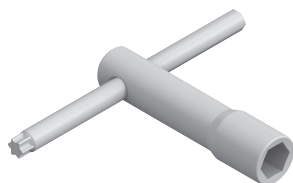


HSS

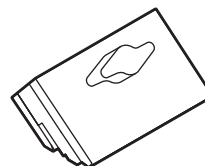
2 607 000 193
(2x)



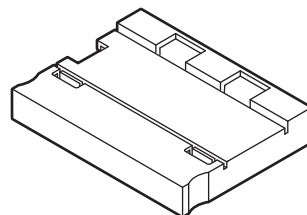
1 619 PC1 527



1 619 PC1 531



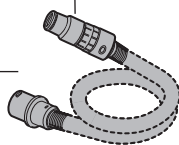
2 608 133 002



2 607 970 002



1 619 PA7 326

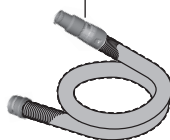


Ø 22 mm:
 2 608 000 571 (3 m)
 2 608 000 567 (5 m)
 Ø 35 mm:
 2 608 000 A06 (5 m)
 1 619 PB3 826 (3 m)



Ø 22 mm:
 2 608 000 572 (3 m)
 2 608 000 568 (5 m)
 Ø 35 mm:
 2 608 000 570 (3 m)
 2 608 000 566 (5 m)

2 608 000 585



Ø 35 mm:
 2 608 000 658 (1,6 m)



GAS 15 PS



GAS 12-25 PL



GAS 35 L SFC+
 GAS 35 L AFC
 GAS 35 M AFC



GAS 55 M AFC



GAS 18V-10 L

Licenses

Copyright © 2015, Infineon Technologies AG

All rights reserved.

Redistribution and use in source and binary forms, with or without modification, are permitted provided that the following conditions are met:

- Redistributions of source code must retain the above copyright notice, this list of conditions and the following disclaimer.
- Redistributions in binary form must reproduce the above copyright notice, this list of conditions and the following disclaimer in the documentation and/or other materials provided with the distribution.
- Neither the name of the copyright holders nor the names of its contributors may be used to endorse or promote products derived from this software without specific prior written permission.

THIS SOFTWARE IS PROVIDED BY THE COPYRIGHT HOLDERS AND CONTRIBUTORS "AS IS" AND ANY EXPRESS OR IMPLIED WARRANTIES, INCLUDING, BUT NOT LIMITED TO, THE IMPLIED WARRANTIES OF MERCHANTABILITY AND FITNESS FOR A PARTICULAR PURPOSE ARE DISCLAIMED. IN NO EVENT SHALL THE COPYRIGHT HOLDER OR CONTRIBUTORS BE LIABLE FOR ANY DIRECT, INDIRECT, INCIDENTAL, SPECIAL, EXEMPLARY, OR CONSEQUENTIAL DAMAGES (INCLUDING, BUT NOT LIMITED TO, PROCUREMENT OF SUBSTITUTE GOODS OR SERVICES; LOSS OF USE, DATA, OR PROFITS; OR BUSINESS INTERRUPTION) HOWEVER CAUSED AND ON ANY THEORY OF LIABILITY, WHETHER IN CONTRACT, STRICT LIABILITY, OR TORT (INCLUDING NEGLIGENCE OR OTHERWISE) ARISING IN ANY WAY OUT OF THE USE OF THIS SOFTWARE, EVEN IF ADVISED OF THE POSSIBILITY OF SUCH DAMAGE.