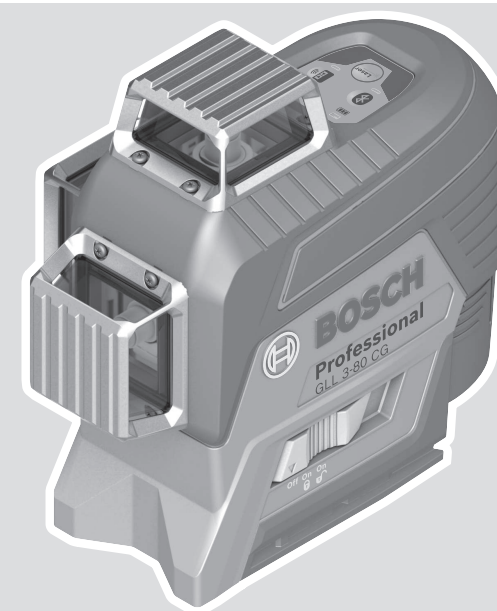




GLL 3-80 CG Professional



Robert Bosch Power Tools GmbH
70538 Stuttgart
GERMANY

www.bosch-pt.com

1 609 92A 7J1 (2022.05) T / 72

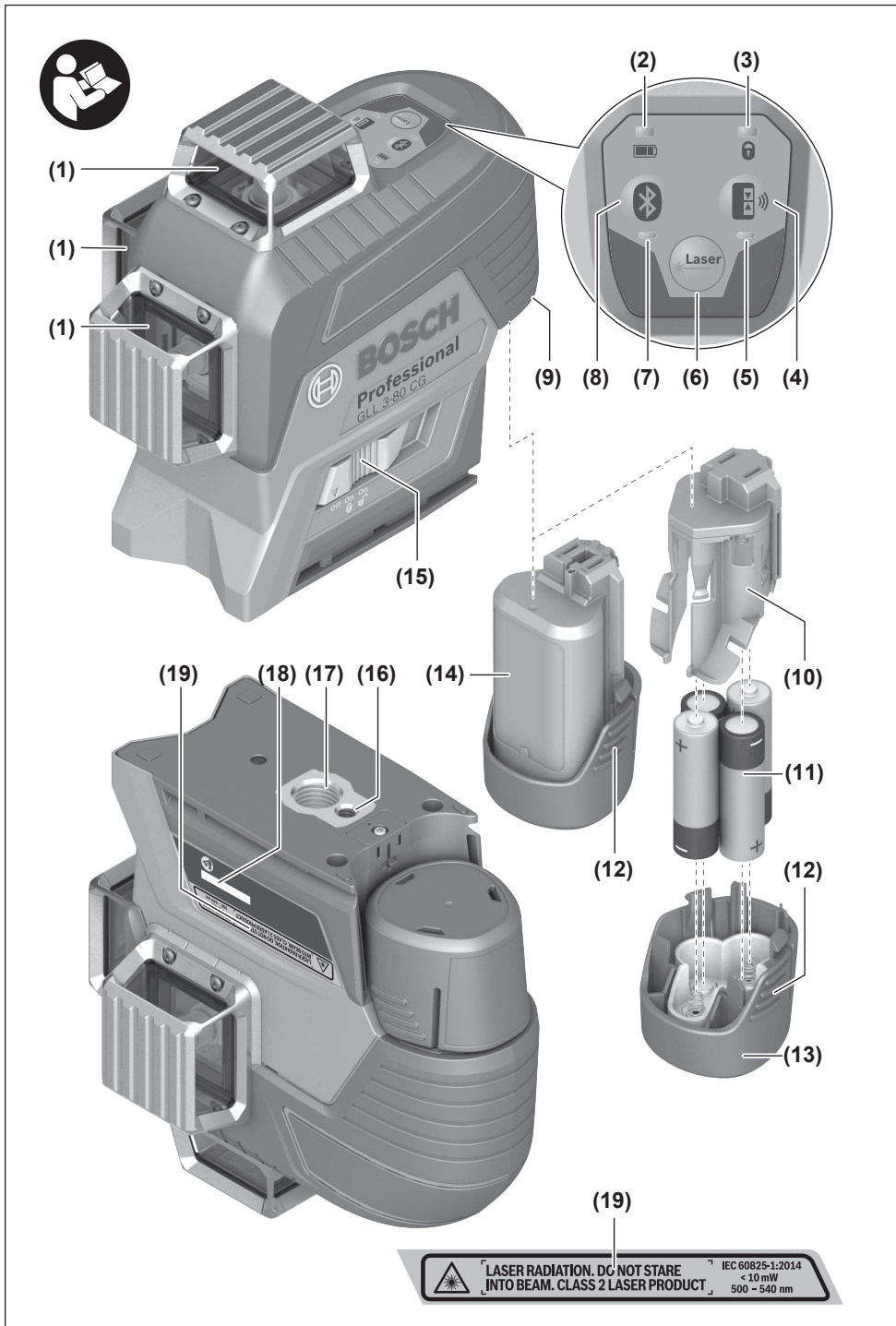


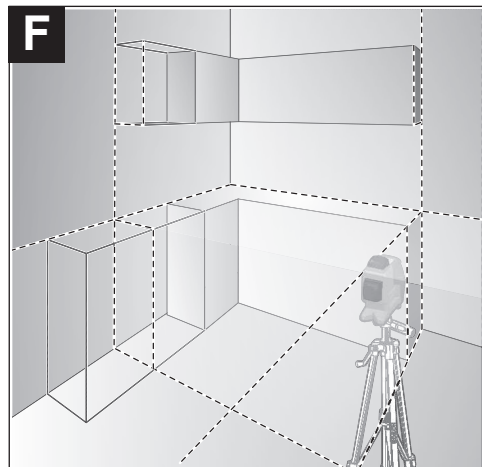
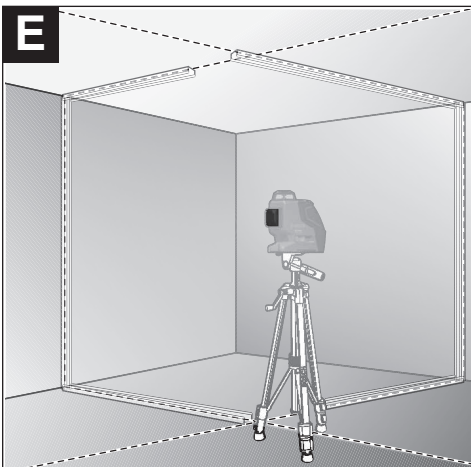
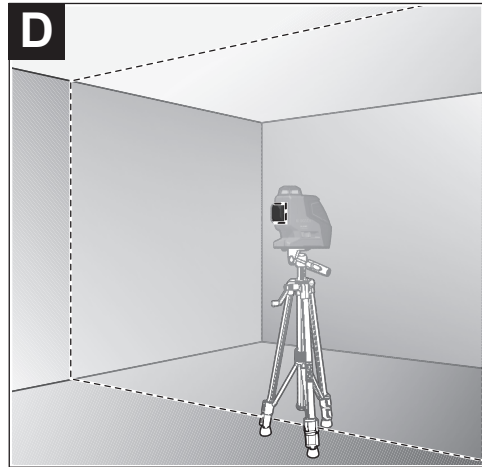
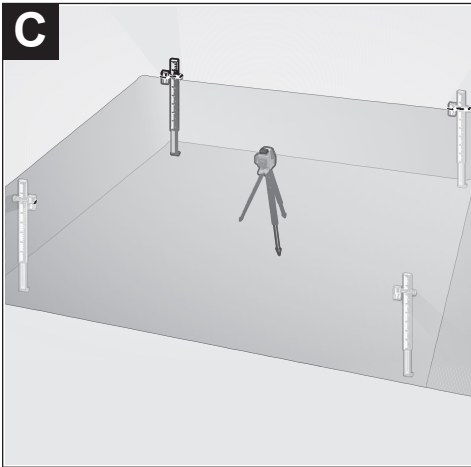
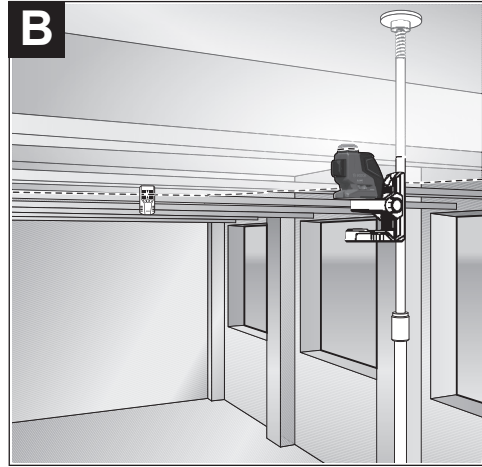
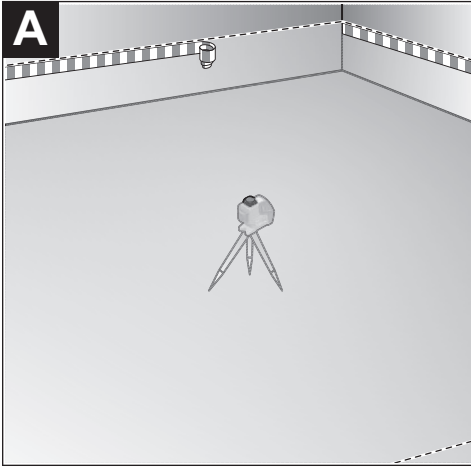
1 609 92A 7J1

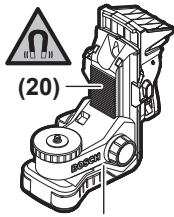
- en Original instructions
- ja オリジナル取扱説明書
- zh 正本使用说明书
- zh 原始使用說明書
- ko 사용 설명서 원본
- th หนังสือคู่มือการใช้งานฉบับต้นแบบ
- id Petunjuk-Petunjuk untuk Penggunaan Orisinal
- vi Bản gốc hướng dẫn sử dụng



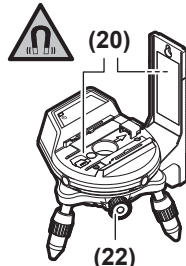
English	Page	6
日本語	ページ	14
中文	页	22
繁體中文	頁	30
한국어	페이지	37
ไทย	หน้า	45
Bahasa Indonesia	Halaman	54
Tiếng Việt	Trang	62







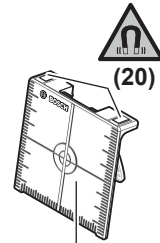
(21)
BM 1
0 601 015 A01



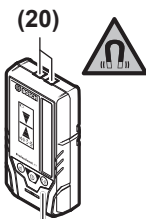
(20)
(22)
RM 3
0 601 092 800



(23)
RC 2
0 601 069 C00



(20)
(24)



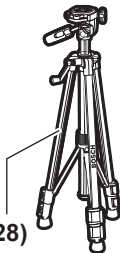
(20)
(25)
LR 7
0 601 069 J00



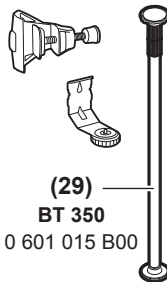
(26)
1 608 M00 05J



(27)



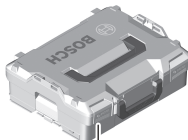
(28)
BT 150
0 601 096 B00
BT 150-5/8
0 601 096 C80



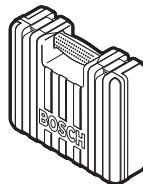
(29)
BT 350
0 601 015 B00



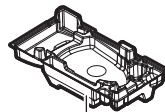
AA1
1 608 M00 C1B



(30)
L-BOXX 136
1 600 A01 2G0



(30)
1 608 M00 C1Y



(31)
1 608 M00 C20

English

Safety Instructions



All instructions must be read and observed in order for the measuring tool to function safely. The safeguards integrated into the measuring tool may be compromised if the measuring tool is not used in accordance with these instructions. Never make warning signs on the measuring tool unrecognisable. **SAVE THESE INSTRUCTIONS FOR FUTURE REFERENCE AND INCLUDE THEM WITH THE MEASURING TOOL WHEN TRANSFERRING IT TO A THIRD PARTY.**

- ▶ **Warning! If operating or adjustment devices other than those specified here are used or other procedures are carried out, this can lead to dangerous exposure to radiation.**
- ▶ **The measuring tool is delivered with a laser warning sign (marked in the illustration of the measuring tool on the graphics page).**
- ▶ **If the text of the laser warning label is not in your national language, stick the provided warning label in your national language over it before operating for the first time.**



Do not direct the laser beam at persons or animals and do not stare into the direct or reflected laser beam yourself. You could blind somebody, cause accidents or damage your eyes.

- ▶ **If laser radiation hits your eye, you must close your eyes and immediately turn your head away from the beam.**
- ▶ **Do not make any modifications to the laser equipment.**
- ▶ **Do not use the laser goggles (accessory) as protective goggles.** The laser goggles make the laser beam easier to see; they do not protect you against laser radiation.
- ▶ **Do not use the laser goggles (accessory) as sunglasses or while driving.** The laser goggles do not provide full UV protection and impair your ability to see colours.
- ▶ **Have the measuring tool serviced only by a qualified specialist using only original replacement parts.** This will ensure that the safety of the measuring tool is maintained.
- ▶ **Do not let children use the laser measuring tool unsupervised.** They could unintentionally blind themselves or other persons.
- ▶ **Do not use the measuring tool in explosive atmospheres which contain flammable liquids, gases or dust.** Sparks may be produced inside the measuring tool, which can ignite dust or fumes.
- ▶ **Do not open the battery.** There is a risk of short-circuiting.

- ▶ **In case of damage and improper use of the battery, vapours may be emitted. The battery can set alight or explode.** Ensure the area is well ventilated and seek medical attention should you experience any adverse effects. The vapours may irritate the respiratory system.
- ▶ **If used incorrectly or if the battery is damaged, flammable liquid may be ejected from the battery. Contact with this liquid should be avoided. If contact accidentally occurs, rinse off with water. If the liquid comes into contact with your eyes, seek additional medical attention.** Liquid ejected from the battery may cause irritation or burns.
- ▶ **The battery can be damaged by pointed objects such as nails or screwdrivers or by force applied externally.** An internal short circuit may occur, causing the battery to burn, smoke, explode or overheat.
- ▶ **When the battery is not in use, keep it away from paper clips, coins, keys, nails, screws or other small metal objects that could make a connection from one terminal to another.** A short circuit between the battery terminals may cause burns or a fire.
- ▶ **Only use the battery with products from the manufacturer.** This is the only way in which you can protect the battery against dangerous overload.
- ▶ **Only charge the batteries using chargers recommended by the manufacturer.** A charger that is suitable for one type of battery may pose a fire risk when used with a different battery.



Protect the battery against heat, e.g. against continuous intense sunlight, fire, dirt, water and moisture. There is a risk of explosion and short-circuiting.



- ▶ **Remove the rechargeable battery/non-rechargeable batteries from the measuring tool before carrying out work on the measuring tool (e.g. assembly, maintenance, etc.). The battery/batteries should also be removed for transport and storage.** There is risk of injury from unintentionally pressing the on/off switch.
- ▶ **When operating the measuring tool, loud signal tones may sound under certain circumstances. For this reason, keep the measuring tool away from your ears and from other persons.** The loud sound can damage hearing.



Keep the measuring tool and the magnetic accessories away from implants and other medical devices, e.g. pacemakers or insulin pumps. The magnets inside the measuring tool and accessories generate a field that can impair the function of implants and medical devices.

- ▶ **Keep the measuring tool and the magnetic accessories away from magnetic data storage media and magnetically sensitive devices.** The effect of the magnets inside the measuring tool and accessories can lead to irreversible data loss.

- **The measuring tool is equipped with a wireless interface. Local operating restrictions, e.g. in aeroplanes or hospitals, must be observed.**

The *Bluetooth*[®] word mark and logos are registered trademarks owned by Bluetooth SIG, Inc. and any use of such marks by Robert Bosch Power Tools GmbH is under license.

- **Caution! When using the measuring tool with *Bluetooth*[®], a fault may occur in other devices and systems, aeroplanes and medical devices (e.g. pacemakers, hearing aids). Also, damage to people and animals in the immediate vicinity cannot be completely excluded. Do not use the measuring tool with *Bluetooth*[®] in the vicinity of medical devices, petrol stations, chemical plants, areas with a potentially explosive atmosphere and in blasting areas. Do not use the measuring tool with *Bluetooth*[®] on aeroplanes. Avoid using the product near your body for extended periods.**

Product Description and Specifications

Please observe the illustrations at the beginning of this operating manual.

Intended Use

The measuring tool is intended for determining and checking horizontal and vertical lines.

The measuring tool is suitable for indoor and outdoor use.

Product Features

The numbering of the product features shown refers to the illustration of the measuring tool on the graphic page.

- (1) Laser beam outlet aperture
- (2) State of charge of rechargeable batteries/non-rechargeable batteries

- (3) Pendulum lock indicator
- (4) Receiver mode button
- (5) Receiver mode indicator
- (6) Button for laser operating mode
- (7) *Bluetooth*[®] connection indicator
- (8) *Bluetooth*[®] button
- (9) Battery bay
- (10) Battery adapter cover^{a)}
- (11) Batteries^{a)}
- (12) Rechargeable battery/battery adapter release button^{a)}
- (13) Battery adapter cap^{a)}
- (14) Rechargeable battery^{a)}
- (15) On/off switch
- (16) 1/4" tripod mount
- (17) 5/8" tripod mount
- (18) Serial number
- (19) Laser warning label
- (20) Magnet^{a)}
- (21) Universal holder^{a)}
- (22) Rotating platform^{a)}
- (23) Remote control^{a)}
- (24) Laser target plate^{a)}
- (25) Laser receiver^{a)}
- (26) Laser viewing glasses^{a)}
- (27) Protective bag^{a)}
- (28) Tripod^{a)}
- (29) Telescopic rod^{a)}
- (30) Case^{a)}
- (31) Inlay^{a)}

a) **Accessories shown or described are not included with the product as standard. You can find the complete selection of accessories in our accessories range.**

Technical Data

Line Laser	GLL 3-80 CG
Article number	3 601 K63 U..
Working range (radius) ^{A)}	
– Standard	30 m
– in receiver mode	25 m
– With laser receiver	5–120 m
Levelling accuracy ^{B)C)D)}	±0.2 mm/m
Self-levelling range	±4°
Levelling time	< 4 s
Max. altitude	2000 m
Relative air humidity max.	90 %
Pollution degree according to IEC 61010-1	2 ^{E)}

Line Laser	GLL 3-80 CG
Laser class	2
Laser type	500–540 nm, < 10 mW
C ₆	10
Divergence of laser line	50 × 10 mrad (full angle)
Shortest pulse duration	1/10000 s
Pulse frequency	
– Operating without receiver mode	13 kHz
– Operating with receiver mode	10 kHz
Compatible laser receivers	LR7
Tripod mount	1/4", 5/8"
Measuring tool power supply	
– Rechargeable battery (Li-ion)	10.8 V/12 V
– Non-rechargeable batteries (alkaline manganese)	4 × 1.5 V LR6 (AA) (with battery adapter)
Operating time with three laser planes ^{f)}	
– With rechargeable battery	6 h
– With non-rechargeable batteries	4 h
<i>Bluetooth</i> [®] measuring tool	
– Compatibility	<i>Bluetooth</i> [®] 4.0 (Low Energy) ^{g)}
– Max. signal range	30 m ^{h)}
– Operating frequency range	2402–2480 MHz
– Max. transmission power	< 1 mW
<i>Bluetooth</i> [®] smartphone	
– Compatibility	<i>Bluetooth</i> [®] 4.0 (Low Energy) ^{g)}
– Operating system	Android 6 (and above) iOS 11 (and above)
Weight according to EPTA-Procedure 01:2014	
– With rechargeable battery	0.90 kg
– With non-rechargeable batteries	0.86 kg
Dimensions (length × width × height)	162 × 84 × 148 mm
Protection rating ⁱ⁾	IP54 (dust and splash-proof)
Recommended ambient temperature during charging	0 °C to +35 °C
Permitted ambient temperature during operation	–10 °C to +40 °C
Permitted ambient temperature during storage	–20 °C to +70 °C
Recommended rechargeable batteries	GBA 10,8V... GBA 12V... (except GBA 12V ≥ 4.0 Ah)

Line Laser**GLL 3-80 CG**

Recommended chargers

GAL 12...

GAX 18...

- A) The working range may be reduced by unfavourable environmental conditions (e.g. direct sunlight).
- B) At **20–25 °C**
- C) Applies to the four horizontal intersection points
- D) The values stated presuppose normal to favourable environmental conditions (e.g. no vibration, no fog, no smoke, no direct sunlight). Extreme fluctuations in temperature can cause deviations in accuracy.
- E) Only non-conductive deposits occur, whereby occasional temporary conductivity caused by condensation is expected.
- F) Shorter operating times in *Bluetooth*® operation and/or in conjunction with RM 3
- G) When using *Bluetooth*® Low Energy devices, it may not be possible to establish a connection depending on the model and operating system. *Bluetooth*® devices must support the SPP profile.
- H) The signal range may vary greatly depending on external conditions, including the receiving device used. The *Bluetooth*® range may be significantly weaker inside closed rooms and through metallic barriers (e.g. walls, shelving units, cases, etc.).
- I) The lithium-ion battery and the AA1 battery adapter are excluded from IP54.

The serial number **(18)** on the type plate is used to clearly identify your measuring tool.

Assembly

Measuring Tool Power Supply

The measuring tool can be operated either with conventional non-rechargeable batteries or with a Bosch lithium-ion battery.

Operation with Rechargeable Battery

- **Use only the chargers listed in the technical data.** Only these chargers are matched to the lithium-ion battery of your measuring tool.

Note: Lithium-ion rechargeable batteries are supplied partially charged according to international transport regulations. To ensure full rechargeable battery capacity, fully charge the rechargeable battery before using your tool for the first time.

To **insert** the charged battery **(14)**, slide it into the battery bay **(9)** until you feel it engage.

To **remove** the battery **(14)**, press the release buttons **(12)** and pull it out of the battery bay **(9)**. **Do not use force to do this.**

Operation with Non-Rechargeable Batteries

It is recommended that you use alkaline manganese batteries to operate the measuring tool.

The batteries are inserted into the battery adapter.

- **The battery adapter is intended only for use in designated Bosch measuring tools and must not be used with power tools.**

To **insert** the batteries, slide the cover **(10)** of the battery adapter into the battery bay **(9)**. Place the batteries into the cover as per the illustration on the sealing cap **(13)**. Slide the sealing cap over the cover until you feel it click into place.



To **remove** the batteries **(11)**, press the release buttons **(12)** of the sealing cap **(13)** and pull off the sealing cap. Make sure that the batteries do not fall out. To do this, hold the measuring tool with the battery bay **(9)** facing upward. Remove the batteries. To remove the cover **(10)** from inside the battery bay, reach into the cover and pull it out of the measuring tool, applying light pressure to the side wall as you do so.

Always replace all the batteries at the same time. Only use batteries from the same manufacturer and which have the same capacity.

- **Take the batteries out of the measuring tool when you are not using it for a prolonged period of time.** The batteries can corrode and self-discharge during prolonged storage in the measuring tool.

Battery Charge Indicator

The battery charge indicator **(2)** shows the state of charge of the battery/batteries:

LED	State of charge
Green continuous light	100–75 %
Yellow continuous light	75–35 %
Red continuous light	35–10 %
No light	– Rechargeable battery defective – Batteries drained

If the rechargeable battery or non-rechargeable batteries are running low, the laser lines will gradually become dimmer.

Immediately replace a faulty rechargeable battery or any empty batteries.

Operation

Starting Operation

- **Protect the measuring tool from moisture and direct sunlight.**

- ▶ **Do not expose the measuring tool to any extreme temperatures or fluctuations in temperature.** For example, do not leave it in a car for extended periods of time. If it has been subjected to significant fluctuations in temperature, first allow the measuring tool to adjust to the ambient temperature and then always carry out an accuracy check before continuing work (see "Accuracy Check of the Measuring Tool", page 11).

The precision of the measuring tool may be compromised if exposed to extreme temperatures or fluctuations in temperature.

- ▶ **Avoid substantial knocks to the measuring tool and avoid dropping it.** Always carry out an accuracy check before continuing work if the measuring tool has been subjected to severe external influences (see "Accuracy Check of the Measuring Tool", page 11).
- ▶ **Switch the measuring tool off when transporting it.** The pendulum unit is locked when the tool is switched off, as it can otherwise be damaged by big movements.

Switching On/Off

To **switch on** the measuring tool, slide the on/off switch (15) to the "On" position (for working with the pendulum lock) or to the "On" position (for working with automatic levelling). As soon as it is switched on, the measuring tool emits laser lines from the outlet apertures (1).

- ▶ **Do not direct the laser beam at persons or animals and do not stare into the laser beam yourself (even from a distance).**

To **switch off** the measuring tool, slide the on/off switch (15) to the **Off** position. The pendulum unit is locked when the tool is switched off.

- ▶ **Never leave the measuring tool unattended when switched on, and ensure the measuring tool is switched off after use.** Others may be blinded by the laser beam.

If the maximum permitted operating temperature of 40 °C is exceeded, the tool shuts down to protect the laser diode. Once it has cooled down, the measuring tool is operational again and can be switched back on.

If the temperature of the measuring tool is approaching the maximum permissible operating temperature, the laser lines will gradually become dimmer.

The measuring tool is protected against electrostatic discharge (ESD). If the measuring tool becomes electrostatically charged (e.g. when it is touched in an environment with low humidity), it switches itself off automatically. In such cases, switch the on/off switch (15) off and on again.

Deactivating the Automatic Shut-Off Function

If no button on the measuring tool is pressed for approx. 120 min, the measuring tool will automatically switch itself off to preserve battery life.

To switch the measuring tool back on after it has been automatically switched off, you can either slide the on/off switch (15) to the "Off" position first and then switch the measuring tool back on, or press either the laser mode button (6) or the receiver mode button (4) once.

To deactivate the automatic shut-off function, hold down the laser mode button (6) for at least 3 s (with the measuring tool switched on). If the automatic shut-off function is deactivated, the laser beams will flash briefly as confirmation.

To activate the automatic shut-off function, switch the measuring tool off and on again.

Deactivating the Signal Tone Function

The signal tone function is always activated once the measuring tool is switched on.

To deactivate or activate the signal tone function, simultaneously press the laser mode button (6) and the receiver mode button (4) and hold them down for at least 3 s.

Three short signal tones will sound as confirmation both when the signal tone function is activated and deactivated.

Operating Modes

The measuring tool has several operating modes which you can switch between at any time. These are for:

- Generating a horizontal laser plane,
- Generating a vertical laser plane,
- Generating two vertical laser planes,
- Generating a horizontal laser plane and two vertical laser planes.

After you switch it on, the measuring tool generates a horizontal laser plane. To change the operating mode, press the laser mode button (6).

All operating modes can be selected with both automatic levelling or the pendulum lock.

Receiver Mode

Receiver mode must be activated when working with the laser receiver (25), regardless of which operating mode is selected.

In receiver mode, the laser lines flash at a very high frequency, enabling them to be detected by the laser receiver (25).

To switch on receiver mode, press the receiver mode button (4). The receiver mode indicator (5) will light up green.

When receiver mode is switched on, the laser lines are less visible to the human eye. Therefore, switch receiver mode off by pressing the receiver mode button (4) again to work without a laser receiver. The receiver mode indicator (5) will go out.

Automatic Levelling

Working with Automatic Levelling

Position the measuring tool on a level, firm surface or attach it to the universal holder (21) or the tripod (28).

For work with automatic levelling, slide the on/off switch (15) to the "On" position.

The automatic levelling function automatically compensates irregularities within the self-levelling range of ±4°. The levelling is finished as soon as the laser lines stop moving.

If automatic levelling is not possible, e.g. because the surface on which the measuring tool stands deviates by more

than 4° from the horizontal plane, the laser lines will begin to flash quickly. If the signal tone function is activated, rapid signal tones will sound.

Place the measuring tool in a horizontal position and wait for self-levelling to take place. As soon as the measuring tool is within the self-levelling range of $\pm 4^\circ$, the laser beams will light up continuously and the signal tones will cease.

In case of ground vibrations or position changes during operation, the measuring tool is automatically levelled again.

Upon re-levelling, check the position of the horizontal or vertical laser line with regard to the reference points to avoid errors by moving the measuring tool.

Working with the Pendulum Lock

For work with the pendulum lock, slide the on/off switch (15) to the "On" position. The pendulum lock indicator (3) lights up red and the laser lines continuously flash slowly.

For work with the pendulum lock, the automatic levelling is switched off. You can hold the measuring tool freely in your hand or place it on a sloping surface. This means that the laser lines are no longer levelled and no longer necessarily run perpendicular to one another.

Remote control via the Bosch Levelling Remote App

The measuring tool is equipped with a *Bluetooth*® module which uses radio technology to enable remote control via a smartphone with a *Bluetooth*® interface.

The **Bosch Levelling Remote App** application (app) is required to use this function. You can download this in the app store for your terminal device (Apple App Store, Google Play Store).

Information about the system requirements for a *Bluetooth*® connection can be found on the Bosch website at www.bosch-pt.com

When remote controlling via *Bluetooth*®, poor reception conditions can cause time delays between the mobile terminal device and the measuring tool.

Switching on Bluetooth®

To switch on *Bluetooth*®, press the *Bluetooth*® button (8). Ensure that the *Bluetooth*® interface is activated on your mobile terminal device.

The connection between mobile end device and measuring tool is established after the Bosch application has started. If multiple active measuring tools are found, select the appropriate measuring tool. A connection will be established automatically if only one active measuring tool is found.

The connection is established as soon as the *Bluetooth*® indicator (7) lights up.

The *Bluetooth*® connection may be interrupted if the distance between the measuring tool and the mobile terminal device is too great or is blocked, and if there are any sources of electromagnetic interference. Should this occur, the *Bluetooth*® indicator (7) will flash.

Switching off Bluetooth®

To switch off *Bluetooth*® for remote control, press the *Bluetooth*® button (8) or switch off the measuring tool.

Accuracy Check of the Measuring Tool

Influences on Accuracy

The largest influence is exerted by the ambient temperature. In particular, temperature differences that occur from the ground upwards can refract the laser beam.

In order to minimise thermal influences resulting from heat rising from the floor, it is recommended that you use the measuring tool on a tripod. In addition, position the measuring tool in the centre of the work surface, wherever this is possible.

In addition to external influences, device-specific influences (e.g. falls or heavy impacts) can also lead to deviations. For this reason, check the levelling accuracy each time before beginning work.

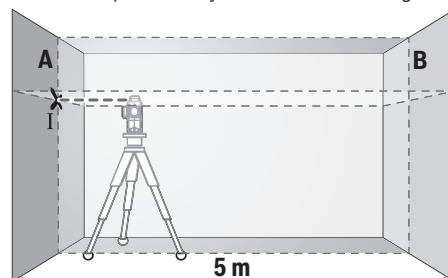
First check the levelling accuracy of the horizontal laser line, then the levelling accuracy of the vertical laser lines.

Should the measuring tool exceed the maximum deviation during one of the tests, please have it repaired by a **Bosch** after-sales service.

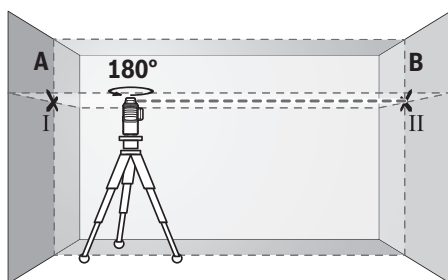
Checking the Horizontal Levelling Accuracy of the Transverse Axis

For this check, you will need a free measuring distance of 5 m on firm ground between two walls (designated A and B).

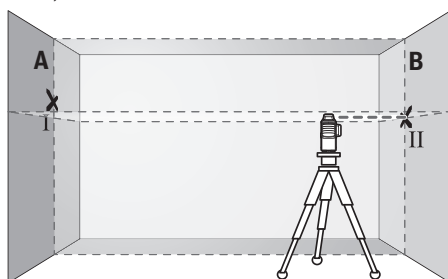
- Mount the measuring tool close to wall A on a tripod, or place it on a firm, flat surface. Switch on the measuring tool in the mode with automatic levelling. Select the operating mode for generating a horizontal laser plane and a vertical laser plane directly in front of the measuring tool.



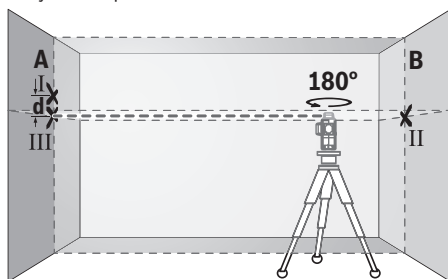
- Aim the laser at the closer wall A and allow the measuring tool to level in. Mark the middle of the point at which the laser lines cross on the wall (point I).



- Turn the measuring tool 180°, allow it to level in and mark the point where the laser lines cross on the opposite wall B (point II).
- Position the measuring tool – without rotating it – close to wall B, switch it on and allow it to level in.



- Align the height of the measuring tool (using the tripod or by placing objects underneath as required) so that the point where the laser lines cross exactly hits the previously marked point II on wall B.



- Turn the measuring tool 180° without adjusting the height. Aim it at wall A such that the vertical laser line runs through the already marked point I. Allow the measuring tool to level in and mark the point where the laser lines cross on wall A (point III).
- The discrepancy **d** between the two marked points I and III on wall A reveals the actual height deviation of the measuring tool.

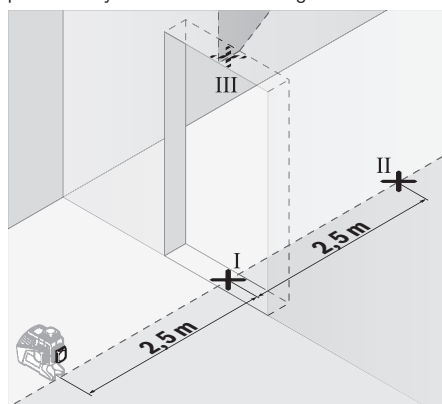
The maximum permitted deviation on the measuring distance of $2 \times 5 \text{ m} = 10 \text{ m}$ is as follows:

$10 \text{ m} \times \pm 0.2 \text{ mm/m} = \pm 2 \text{ mm}$. The discrepancy **d** between points I and II must therefore amount to no more than 2 mm.

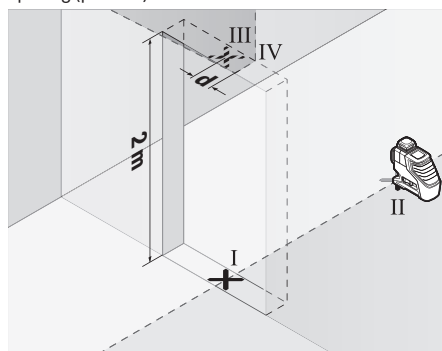
Checking the Levelling Accuracy of the Vertical Lines

For this check, you will need a door opening (on solid ground) which has at least 2.5 m of space either side of the door.

- Place the measuring tool 2.5 m away from the door opening on a firm, flat surface (not on a tripod). Switch on the measuring tool in the mode with automatic levelling. Select the operating mode for generating a vertical laser plane directly in front of the measuring tool.



- Mark the centre of the vertical laser line on the floor of the door opening (point I), 5 m away on the other side of the door opening (point II) and on the upper edge of the door opening (point III).



- Rotate the measuring tool 180° and position it on the other side of the door opening, directly behind point II. Allow the measuring tool to level in and align the vertical laser line in such a way that its centre passes through points I and II exactly.
- Mark the centre of the laser line on the upper edge of the door opening as point IV.
- The discrepancy **d** between the two marked points III and IV reveals the actual vertical deviation of the measuring tool.
- Measure the height of the door opening.

Repeat the measuring process for the two vertical laser planes. To do this, select the operating mode for generating

a vertical laser plane to one side of the measuring tool and rotate the measuring tool by 90° before beginning the measuring process.

You can calculate the maximum permitted deviation as follows:

Doubled height of the door opening × 0.2 mm/m

Example: At a door opening height of 2 m, the maximum deviation amounts to

$2 \times 2 \text{ m} \times \pm 0.2 \text{ mm/m} = \pm 0.8 \text{ mm}$. The points III and IV must therefore be no further than 0.8 mm from each other.

Working Advice

- ▶ **Only the centre of the laser line must be used for marking.** The width of the laser line changes depending on the distance.

Working with the Laser Target Plate

The laser target plate (24) improves visibility of the laser beam in unfavourable conditions and at greater distances.

The reflective surface of the laser target plate (24) improves visibility of the laser line. The transparent surface enables the laser line to be seen from behind the laser target plate.

Working with the Tripod (Accessory)

A tripod offers a stable, height-adjustable support surface for measuring. Place the measuring tool with the 1/4" tripod mount (16) on the thread of the tripod (28) or a conventional camera tripod. Use the 5/8" tripod mount (17) to secure the measuring tool on a conventional building tripod. Tighten the measuring tool using the locking screw of the tripod.

Roughly align the tripod before switching on the measuring tool.

Securing with the universal holder (accessory) (see figure B)

You can secure the measuring tool, for example, on vertical surfaces or magnetisable materials using the universal holder (21). The universal holder is also suitable for use as a floor stand and facilitates the height adjustment of the measuring tool.

- ▶ **Keep your fingers away from the rear side of the magnetic accessory while attaching the accessory to surfaces.** The strong pulling force of the magnets may jam your fingers.

Roughly align the universal holder (21) before switching on the measuring tool.

Working with the laser receiver (accessory) (see figure B)

Use the laser receiver (25) to improve detection of the laser lines in adverse lighting conditions (bright environment, direct sunlight) and over greater distances. When working with the laser receiver, switch on receiver mode (see "Receiver Mode", page 10).

Laser Goggles (Accessory)

The laser goggles filter out ambient light. This makes the light of the laser appear brighter to the eye.

- ▶ **Do not use the laser goggles (accessory) as protective goggles.** The laser goggles make the laser beam easier to see; they do not protect you against laser radiation.
- ▶ **Do not use the laser goggles (accessory) as sunglasses or while driving.** The laser goggles do not provide full UV protection and impair your ability to see colours.

Example applications (see figures A-F)

Examples of possible applications for the measuring tool can be found on the graphics pages.

Maintenance and Service

Maintenance and Cleaning

Keep the measuring tool clean at all times.

Never immerse the measuring tool in water or other liquids.

Wipe off any dirt using a damp, soft cloth. Do not use any detergents or solvents.

The areas around the outlet aperture of the laser in particular should be cleaned on a regular basis. Make sure to check for lint when doing this.

Only store and transport the measuring tool in the protective bag (27) or the case (30).

If the measuring tool needs to be repaired, send it off in the protective bag (27) or the case (30).

After-Sales Service and Application Service

Our after-sales service responds to your questions concerning maintenance and repair of your product as well as spare parts. You can find explosion drawings and information on spare parts at: www.bosch-pt.com

The Bosch product use advice team will be happy to help you with any questions about our products and their accessories.

In all correspondence and spare parts orders, please always include the 10-digit article number given on the nameplate of the product.

Malaysia

Robert Bosch Sdn. Bhd.(220975-V) PT/SMY

No. 8A, Jalan 13/6

46200 Petaling Jaya

Selangor

Tel.: (03) 79663194

Toll-Free: 1800 880188

Fax: (03) 79583838

E-Mail: kiathoe.chong@my.bosch.com

www.bosch-pt.com.my

You can find further service addresses at:

www.bosch-pt.com/serviceaddresses

Transport

The recommended lithium-ion batteries are subject to legislation on the transport of dangerous goods. The user can transport the batteries by road without further requirements.

When shipping by third parties (e.g.: by air transport or forwarding agency), special requirements on packaging and labelling must be observed. For preparation of the item being shipped, consulting an expert for hazardous material is required.

Dispatch battery packs only when the housing is undamaged. Tape or mask off open contacts and pack up the battery in such a manner that it cannot move around in the packaging. Please also observe the possibility of more detailed national regulations.

Disposal



Measuring tools, rechargeable/non-rechargeable batteries, accessories and packaging should be sorted for environmental-friendly recycling.



Do not dispose of the measuring tools or battery packs/batteries with household waste.

Battery packs/batteries:

Li-ion:

Please observe the notes in the section on transport (see "Transport", page 13).

日本語

安全上の注意事項



メジャーリングツールを危険なく安全にお使いいただくために、すべての指示をよくお読みになり、指示に従って正しく使用してください。本機を指示に従って使用しない場合、本機に組み込まれている保護機能が損なわれることがあります。本機に貼られている警告ラベルが常に見える状態でお使いください。この取扱説明書を大切に保管し、ほかの人に貸し出す場合には一緒に取扱説明書もお渡しください。

- ▶ **注意** - 本書に記載されている以外の操作/調整装置を使用したり、記載されている以外のことを実施した場合、レーザー光を浴びて危険が生じるおそれがあります。
- ▶ 本メジャーリングツールは、レーザー警告ラベル（構造図のページにあるメジャーリングツールの図）が付いた状態で出荷されます。
- ▶ レーザー警告ラベルのテキストがお使いになる国の言語でない場合には、最初にご使用になる前にお使いになる国の言語で書かれた同梱のラベルをその上に貼り付けてください。



レーザー光を直接、または反射したレーザー光をのぞいたり、人や動物に向けたりしないでください。これによ

り誰かの目が眩んだり、事故を引き起こしたり、目を負傷するおそれがあります。

- ▶ レーザー光が目に入った場合、目を閉じてすぐにレーザー光から頭を逸らしてください。
- ▶ レーザー装置を改造しないでください。
- ▶ 安全メガネとしてレーザー用保護メガネ（アクセサリ）を使用しないでください。レーザー用保護メガネはあくまでもレーザービームを見やすくするためのもので、レーザー光から保護するものではありません。
- ▶ レーザー用保護メガネ（アクセサリ）をサングラスとして使用したり、道路交通上で着用したりしないでください。レーザー用保護メガネは紫外線から目を完全に守ることはできず、また着用したままだと色の認識力を低下させます。
- ▶ メジャーリングツールの修理は、必ずお買い求めの販売店、または電動工具サービスセンターにお申しつけください。専門知識を備えた担当スタッフが純正交換部品を使用して作業を行います。これによりメジャーリングツールの安全性が確実に保護されます。
- ▶ 誰もいないところでお子様に本機を使用させないでください。意図しなくても誰かの目を眩ませてしまう場合があります。
- ▶ 可燃性の液体、ガスまたは粉塵が存在する、爆発の危険のある環境でメジャーリングツールを使用しないでください。メジャーリングツールが火花を発生し、ほこりや煙に引火するおそれがあります。
- ▶ バッテリーを分解しないでください。ショートにつながるおそれがあります。
- ▶ バッテリーが損傷していたり、バッテリーを不適切に使用すると、煙が発生する可能性があります。さらにバッテリーが発火したり、爆発したりするおそれがあります。その場合には新鮮な空気を取り入れ、不快感がある場合には医師の診断を受けてください。煙が気道を刺激する可能性があります。
- ▶ 誤った方法でバッテリーを使用したり、不具合のあるバッテリーを使用したりすると、バッテリーから可燃性の液体が漏れ出るおそれがあります。その液体に決して触れないでください。誤って触れてしまった場合には、すぐにきれいな水で洗い流してください。液体が目に入った場合は、すぐに医師の診断を受けてください。バッテリー液が漏れ出た場合、皮膚に接触すると刺激を受けたり、やけどにつながるおそれがあります。
- ▶ 釘やドライバーなどの先の尖った物体により、または外的な力を加えるとバッテリーが損傷することがあります。これによって内部ショートが生じたり、バッテリーが燃焼・発煙・爆発・過熱するおそれがあります。
- ▶ コンタクトをブリッジするおそれのあるクリップ、硬貨、鍵、釘、ネジやその他の小さな金属

製のものに、使用していないバッテリーを近づけないでください。バッテリーのコンタクト間のショートは、火災につながるおそれがあります。

- ▶ メーカーの製品にのみバッテリーを使用してください。組み合わせてご使用になる場合に限る、バッテリーは危険な過負荷から保護されません。
- ▶ メーカーが推奨している充電器でのみバッテリーを充電してください。特定のバッテリーの充電を目的に製造された充電器で他のバッテリーを充電すると、火災の原因となることがあります。



長時間当たる直射日光、火、汚れ、水や湿度から保護し、バッテリーを熱から守ってください。爆発やショートにつながるおそれがあります。

- ▶ 本機での作業を行う際（取付け、保守など）ならびに本機を輸送および保管する際には、あらかじめバッテリーを取り外してから行ってください。不用意にオン/オフスイッチを操作すると、けがにつながるおそれがあります。
- ▶ 本機の操作中は、一定の条件下で大きな信号音が鳴ります。そのため、本機は耳のそばや他の人から離して保持してください。大きな音により聴覚を損ねるおそれがあります。



メジャーリングツールと磁気を帯びたアクセサリを埋め込み型医療機器やその他の医療器具（ペースメーカーやインスリンポンプなど）に近づけないようにしてください。メジャーリングツールとアクセサリのマグネットにより磁界が生じ、埋め込み型医療機器やその他の医療器具の機能を損ねるおそれがあります。

- ▶ メジャーリングツールと磁気を帯びた磁気データ媒体や磁気の影響を受けやすい装置に近づけないようにしてください。メジャーリングツールとアクセサリのマグネットの作用により、不可逆的なデータの損失を招くおそれがあります。
- ▶ 本機は無線インターフェースを備えています。飛行機内や病院内など、作動に制約がある場所にご注意ください。

Bluetooth®の文字商標および記号（ロゴ）は Bluetooth SIG, Inc.が所有する登録商標です。これらの文字商標/記号は Robert Bosch Power Tools GmbHが使用許可を受けています。

- ▶ 注意！ ブルートゥース®機能を搭載したメジャーリングツールを使用すると、他の装置や設備、飛行機や医療機器（ペースメーカー、補聴器など）に障害を与えるおそれがあります。同様にすぐ近くにいる人や動物に障害を与えないとも限りません。ブルートゥース®機能を搭載したメジャーリングツールを医療機器、ガソリンスタンド、化学設備、爆発の危険のある区域や発破域の近くで使用しないでください。ブルー

トゥース®機能を搭載したメジャーリングツールを飛行機内で使用しないでください。また、長期間にわたって身体のすぐ近くで稼働させないでください。

製品と仕様について

取扱説明書の冒頭に記載されている図を参照してください。

用途

本機は、水平および垂直のラインをチェックするためのものです。

屋内、屋外いずれでの使用にも適しています。

各部の名称

記載のコンポーネントの番号は、構成図のページにある本機の図に対応しています。

- (1) レーザー照射口
- (2) バッテリー／電池残量
- (3) ペンデュラムロック表示
- (4) バルスモードボタン
- (5) バルスモード表示
- (6) レーザーモード用ボタン
- (7) Bluetooth®接続標示
- (8) Bluetooth®ボタン
- (9) バッテリートレイ
- (10) バッテリーアダプターのカバー^{a)}
- (11) バッテリー^{a)}
- (12) バッテリー／電池アダプター用ロック解除ボタン^{a)}
- (13) バッテリーアダプター用ロックキャップ^{a)}
- (14) 電池^{a)}
- (15) オン／オフスイッチ
- (16) 三脚取付部 1/4"
- (17) 三脚取付部 5/8"
- (18) シリアル番号
- (19) レーザー警告ラベル
- (20) マグネット^{a)}
- (21) マルチマウントクリップ^{a)}
- (22) 回転プラットフォーム^{a)}
- (23) リモコン^{a)}
- (24) ターゲットパネル^{a)}
- (25) 受光器^{a)}
- (26) レーザー用保護メガネ^{a)}
- (27) キャリングバッグ^{a)}
- (28) 三脚^{a)}
- (29) 伸縮ロッド^{a)}
- (30) キャリングケース^{a)}

(31) エンクロージャー^{a)}

a) 記載されている付属品は標準のセット内容には含まれていません。付属品の内容についてはボッシュ電動工具カタログをご確認ください。

テクニカルデータ

レーザー墨出し器	GLL 3-80 CG
部品番号	3 601 K63 U..
受光距離 (半径) ^{A)}	
- 標準	30 m
- パルスモード	25 m
- レーザー受光器使用時	5 ~ 120 m
水平精度 ^{B)C)D)}	±0.2 mm/m
自動補正範囲	±4°
補正時間	< 4 秒
使用可能標高	2000 m
最大相対湿度	90 %
IEC 61010-1による汚染度	2 ^{E)}
レーザークラス	2
レーザーの種類	500 ~ 540 nm、< 10 mW
C ₆	10
レーザーラインの精度	50 × 10 mrad (周角)
最短パルス時間	1/10000 秒
パルス周波数	
- パルスモードなしでの動作時	13 kHz
- パルスモードでの動作時	10 kHz
互換性のあるレーザー受光器	LR7
三脚取付部	1/4"、5/8"
メジャーリングツールの電源	
- 電池 (リチウムイオン電池)	10.8 V/12 V
- 電池 (アルカリマンガン電池)	1.5 V LR6 (単3形) × 4 (バッテリーアダプター付き)
3レーザーレベルでの作業時間 ^{F)}	
- 電池装着時	6時間
- バッテリー装着時	4時間
Bluetooth®接続対応メジャーリングツール	
- 適合性	Bluetooth® 4.0 (Low Energy) ^{G)}
- 最大信号検知範囲	30 m ^{H)}
- 作動周波数	2402 ~ 2480 MHz
- 最大送信出力	< 1 mW
Bluetooth®接続対応スマートフォン	
- 適合性	Bluetooth® 4.0 (Low Energy) ^{G)}
- OS	Android 6以上 iOS 11以上
質量 (EPTA-Procedure 01:2014に準拠)	
- 電池装着時	0.90 kg
- バッテリー装着時	0.86 kg
寸法 (長さ×幅×高さ)	162 × 84 × 148 mm

レーザー墨出し器

GLL 3-80 CG

保護クラス ¹⁾	IP 54 (塵埃/飛散水の侵入保護)
充電時の推奨周囲温度	0°C ... +35°C
使用可能温度範囲	-10°C ... +40°C
保管温度範囲	-20°C ... +70°C
使用可能バッテリー	GBA 10,8V... GBA 12V... (GBA 12V以外 ≥ 4.0 Ah)
使用可能充電器	GAL 12... GAX 18...

A) 測定範囲は不利な環境条件（直射日光など）により影響を受けることがあります。

B) 20-25 °C時

C) 水平方向の4つの交点に適用

D) 記載されている数値は、良好な周囲条件（振動や発煙がなく、直射日光が当たっていないなど）で標準と考えられる数値です。温度の変化が大きい場合には、精度の面で問題が生じるおそれがあります。

E) 非導電性の汚染のみが発生し、結露によって一時的に導電性が引き起こされる場合があります。

F) Bluetooth®モードおよび/またはRM 3と組み合わせた場合には使用時間が短くなります。

G) Bluetooth®のローエネルギータイプの場合、モデルとオペレーションシステムによっては接続を確立できない場合があります。Bluetooth®対応機種ではSPPプロファイルがサポートされている必要があります。

H) 検知範囲は外的要件（使用する受光器を含む）に応じてかなり左右されます。屋内の金属製の障害物（壁、棚、ケースなど）により、Bluetooth®の検知範囲が著しく狭くなる場合があります。

I) リチウムイオンバッテリーとバッテリーアダプターAA1はIP 54に対応していません。

銘板に記載されたシリアル番号(18)で本機のタイプをご確認いただけます。

使い方

メジャーリングツールの電源

本機は市販の電池またはポッシュのリチウムイオン電池で作動します。

電池での作動

▶ **テクニカルデータに記載されている充電器のみをご使用ください。**これらの充電器は、本機に使用可能なリチウムイオン電池に対応していません。

注意事項：国際輸送の規格に従い、リチウムイオンバッテリーは仮充電した状態で納入されます。バッテリーの出力をフルで引き出せるよう、初回のご使用前にバッテリーを満充電してください。充電した電池(14)を使用する場合は、電池を電池トレイ(9)にカチッとほまるまで押し込みます。

電池(14)を取り出すには、ロック解除ボタン(12)を押して、電池トレイ(9)から電池を取り出します。その際、無理な力を加えないでください。

バッテリーでの作動

本機で作動には、アルカリマンガン電池の使用を推奨します。

バッテリーをバッテリーアダプターに挿入します。

▶ **バッテリーアダプターは、所定のポッシュ製メジャーリングツール専用のものであり、電動工具と併用することはできません。**

バッテリーを使用する場合は、バッテリーアダプターのカバー(10)を電池トレイ(9)にスライドします。図のようにバッテリーをロックキャップ(13)

をカバーにセットします。カチッと音がするまで、ロックキャップをカバーの上にスライドします。



バッテリー(11)を取り出すには、ロックキャップ(13)のロック解除ボタン(12)を押して、ロックキャップを引き出します。その際、バッテリーが落下しないよう注意してください。電池トレイ(9)を上に向けて本機を保持し、バッテリーを取り出します。内側のカバー(10)を取り出すには、カバーをつ

かみ、側面に少し力を加えて本体から引き出してください。

電池はすべて同じタイミングで交換してください。また、複数のメーカーに分けたりせず、単一メーカーの同じ容量の電池のみを使用してください。

▶ **本機を長期間使用しない場合は、本機から電池を取り出してください。**電池を本機の中に長期間入れたままにすると、電池の腐食や自然放電につながる場合があります。

残量表示

残量表示(2)は、電池またはバッテリーの残量を示しています。

LED	残量
連続光、緑	100~75 %
連続光、黄	75~35 %
連続光、赤	35~10 %
照明なし	- バッテリーが損傷している

LED

残量

- 電池が完全に消耗している

電池やバッテリーの残量が少なくなると、レーザーラインの明るさが徐々に低下します。故障している電池や残量が空のバッテリーはすぐに交換してください。

操作

始動

- ▶ 本機を濡らしたり、直射日光に当てないようにしてください。
- ▶ 本機を極端な温度や温度変化にさらさないでください。本機を長時間、車内に置いたままにしないでください。温度変化が大きい場合には、本機を周囲の温度に慣れさせてからスイッチを入れ、本機を使用する前に(参照 „精度の確認“, ページ 19)で必ず精度を確認してください。温度が極端な場合や気温変化が大きい場合には、本機の精度が低下する可能性があります。
- ▶ 本機に強度な衝撃を与えたり、落とさないでください。本機が外部から強い影響を受けた場合には、本機を使用する前に必ず(参照 „精度の確認“, ページ 19)を行ってください。
- ▶ 運搬する際には本機をオフにしてください。オフにすると、揺動機構はロックされます。そうしないと、強い振動があった場合に損傷するおそれがあります。

スイッチのオン/オフ

本機をオンにするには、オン/オフスイッチ(15)を「**On**」位置 (ペンデュラムロックモードモードの場合) または「**On**」位置 (オートレベリングモードの場合) にスライドします。オンにすると、レーザー光照射口(1)から直ちにレーザー光が照射されます。

- ▶ レーザー光を人や動物に向けないでください。距離が離れている場合でもレーザー光を覗きこまないでください。

本機をオフにするには、オン/オフスイッチ(15)を「**Off**」位置にスライドします。オフにすると、揺動機構はロックされます。

- ▶ 本機をオンにしたまま放置しないでください。使用後は本機の電源を切ってください。レーザー光が他の人の目に入ると視力に影響を及ぼす場合があります。

許容作動温度である40°Cを超えると、レーザーダイオードを保護するために本機はオフになります。温度が低下した後、本機は再度使用可能状態になり、電源を再度入れることができます。

本機の温度が許容作動温度に近付くと、レーザーラインの明るさが徐々に低下します。メジャーリングツールには、静電気放電 (ESD) 対策が施されています。(湿度が低い環境で触れるなどして) メジャーリングツールが静電気を帯

びると、自動的にオフになります。こうした場合にはオン/オフスイッチ(15)を切り、もう一度オンにしてください。

自動電源オフ機能の解除

本機のスイッチを約120分間操作しないと、電池/バッテリーの消耗を防ぐために、本機は自動的にオフになります。

本機が自動的にオフになった後に再度オンにする場合は、オン/オフスイッチ (15)を「**Off**」位置にスライドしてオンにし直すか、またはレーザーモードボタン(6)かパルスモードボタン(4)を押してください。

自動電源オフ機能を解除するには、(本機がオンになっている時に) レーザーモードボタン(6)を3秒以上押し続けます。自動電源オフ機能を解除すると、確認のためにレーザー光が短く点滅します。

自動電源オフ機能をオンにするには、本機の電源をいったんオフにして再度電源を入れ直します。

シグナル音の入/切

本機の電源を入れた後は、必ずシグナル音が鳴ります。

シグナル音を作動/作動解除する場合は、レーザーモードボタン(6)とパルスモードボタン(4)を同時に3秒以上押し続けます。

シグナル音の「入/切」が行われたときは、確認のためにシグナル音が短く3回鳴ります。

運転モード

本機にはいくつかの運転モードがあり、いつでも切り替えることができます。

- レーザーレベル (水平×1) の照射
- レーザーレベル (垂直×1) の照射
- レーザーレベル (垂直×2) の照射
- レーザーレベル (水平×1、垂直×2) の照射

電源を入れると、本機は1本の水平レーザーレベルを照射します。運転モードを切り替えるには、レーザーモードボタン(6)を押します。

すべての運転モードはオートレベリング、ペンデュラムロックのどちらでも選択できます。

パルスモード

レーザー受光器(25)を使用して作業する場合には、選択した作動モードに関係なく、パルスモードを作動させることができます。

パルスモードでは、非常に高い周波数でレーザーラインが点滅し、レーザー受光器(25)で探知可能になります。

パルスモードを作動させるには、パルスモードボタン(4)を押します。すると、パルスモードの表示(5)が緑で点灯します。

パルスモードを作動させるとレーザーラインの視認性が低下するため、レーザー受光器を使用しないで作業する場合は、パルスモードボタン(4)を再度押してパルスモードをオフにしてください。すると、パルスモードの表示(5)が消えます。

自動整準

自動整準モード

本機を水平で安定した面に置き、マルチマウントクリップ(21)または三脚(28)に固定します。

自動整準モードにするには、オン/オフスイッチ(15)を「**On**」位置にスライドします。

オートレベリング機能は、自動補正範囲 $\pm 4^\circ$ 内の凹凸を自動的に調整する機能です。レーザーラインが動作しなくなると、整準は終了です。

自動的に整準できない場合（本機の設置面が水平面から 4° 以上異なる場合など）、レーザーラインは速い速度で点滅し始めます。シグナル音がオンになっている場合は、シグナル音が速い間隔で鳴ります。

本機を水平に配置し、整準されるまで待ってください。本機が $\pm 4^\circ$ の自動補正範囲内にあれば、ただちにレーザー光が持続的に照射され、シグナル音が止まります。

動作中に衝撃を与えたり、位置を変更すると、本機は自動的に整準されます。整準が行われたら、本機がずれてエラーが生じないように、水平または垂直のレーザー光の位置を基準点に基づいて確認してください。

ペンデュラムロックモード

ペンデュラムロックモードにするには、オン/オフスイッチ(15)を「**On**」位置にスライドします。ペンデュラムロック表示(3)が赤く点灯し、レーザーラインがゆっくり点滅し続けます。

ペンデュラムロックモードでは、オートレベリング機能はオフになります。このモードでは、本機を手に持ち、または勾配のある床面に設置して測定作業を行うことができます。ただ、レーザーラインのレベリング調整は行われなくなり、レーザーラインが必ず相互に垂直に照射されるというわけではなくなります。

「Bosch Levelling Remote App」を使用した遠隔操作

本機は Bluetooth® モジュールを搭載しており、無線技術により、Bluetooth® インターフェースを備えたスマートフォンから遠隔操作することができます。

この機能を使用するには、アプリ「**Bosch Levelling Remote App**」が必要になります。このアプリは、アプリストア（Apple App Store、Google Play Store）から各端末にダウンロードすることができます。

Bluetooth® 接続に必要なシステム前提条件に関する情報についてはボッシュのウェブサイト（www.bosch-pt.com）をご覧ください。

Bluetooth® を使用した遠隔操作で、受信状況が悪いとモバイル端末と本機の間に遅延が生じる可能性があります。

Bluetooth®機能のオン

遠隔操作のために Bluetooth® 機能をオンにするには、Bluetooth® ボタン(8)を押します。お使いのモバイル端末の Bluetooth® インターフェースが確実に動作していることを確認してください。

ボッシュのアプリがスタートすると、本機とモバイル端末間の接続が確立されます。作動中のメジャーリングツールが複数見つかった場合には適切なツールが選択されます。作動中のメジャーリングツールが1つのみだと、自動的に接続が確立されます。

接続が確立すると、すぐに Bluetooth® 表示(7)が点灯します。

本機とモバイル端末の間に障害物があったり、距離が大きすぎると、Bluetooth® 接続は電磁的干渉により中断する可能性があります。このような場合には Bluetooth® 表示(7)が点滅します。

Bluetooth®機能のオフ

遠隔操作のために Bluetooth® 機能をオフにするには、Bluetooth® ボタン(8)を押すか、または本機をオフにします。

精度の確認

精度の影響

周囲の温度は精度に最も大きな影響を及ぼします。特に床との温度差が大きいと、レーザー光が歪んでしまう可能性があります。

上昇する地面の熱から受ける影響を最小限に抑えるために、本機を三脚に取り付けて使用してください。また、できるだけ本機を作業場の中央に置いてください。

外的影響のほかに、機器固有の影響（落下や急激な衝撃など）によって誤差が生じることがあります。作業開始前に毎回精度をチェックしてください。

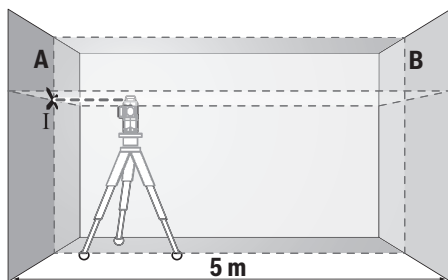
まず水平レーザーラインの水平精度をチェックしてから、垂直レーザーラインの水平精度をチェックしてください。

精度チェック中に検査結果が1回でも許容誤差を超えた場合には、**Bosch**-カスタマーサービスにチェックをご依頼ください。

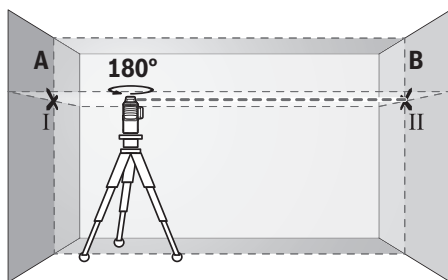
左右軸の水平精度をチェックしてください。

精度チェックを行うには、壁面（AおよびB）にはさまれた干渉物のない測定距離（5 m）と安定した設置面が必要になります。

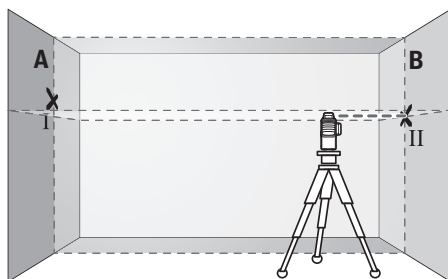
- 本機を壁Aの近くの三脚の上に設置するか、または安定した平坦な床面に置きます。自動整準モードで本機の電源を入れます。水平レーザーレベルと垂直レーザーレベルが本機前方に照射される運転モードを選択します。



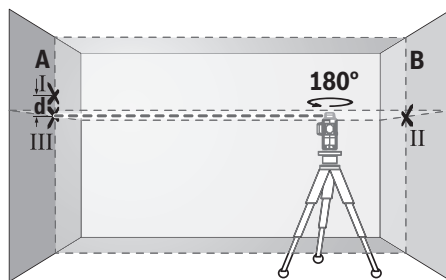
- レーザーを壁A付近に向け、本機を整準させます。壁面上に照射されたレーザーラインが交差するポイントの中央に印を付けます（ポイントI）。



- 本機を180°回転させてから整準させ、反対側の壁Bのレーザーラインの交点に印を付けます（ポイントII）。
- 本機を回転させることなく壁Bの近くに配置してから、本機をオンにして整準させます。



- レーザーラインの交点が壁Bに印を付けておいたポイントIIに正確に来る高さに本機を配置します（必要に応じて三脚や下敷きを使用）。



- 高さが変わらないようにして本機を180°回転させます。垂直のレーザーラインがすでに印を付けたポイントIIに来るように、本機を壁Aに向けます。本機を整準させ、壁Aのレーザーラインの交点に印を付けます（ポイントIII）。
- 壁Aに印を付けたポイントIとIIIの差dは、本機の実際の高さの誤差となります。

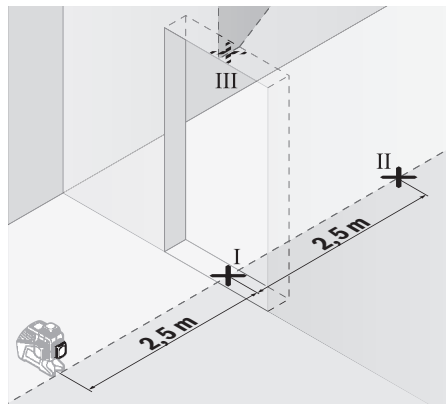
測定距離が $2 \times 5 \text{ m} = 10 \text{ m}$ の場合の最大許容誤差は

$10 \text{ m} \times \pm 0.2 \text{ mm/m} = \pm 2 \text{ mm}$ で、ポイントIとIIの差dは最大2 mmとなります。

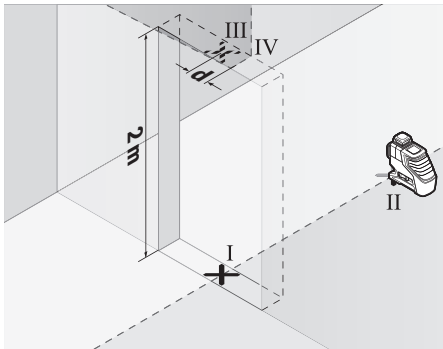
垂直ラインの水平精度のチェック

垂直ラインの水平精度チェックを行うには、ドア用開口部が必要となります。この際、ドアの前後両側に2.5m以上のスペースがあることと、安定した床面が必要になります。

- 本機をドア開口部から2.5m離れた、堅い平らな床面に設置します（三脚上ではなく）。自動整準モードで本機の電源を入れます。垂直レーザーレベルが本機前方に照射される運転モードを選択します。



- ドア開口部の床（ポイントI）、ドア開口部の反対側の5m離れた箇所（ポイントII）、そしてドア開口部の上端（ポイントIII）の垂直レーザーラインの中央に印を付けます。



- 本機を180°回転させ、ドア開口部の反対側、ポイントIIのすぐ後方に配置します。本機を整準させ、垂直レーザーラインの中心がポイントIとIIを通るようにします。
- ドア開口部の上端に照射されているレーザーラインの中心をポイントIVとして印を付けます。
- 印を付けたポイントIIIとIVの差dは、本機の垂直ラインに対する実際の誤差となります。
- ドア開口部の高さを測定します。

2本目の垂直レーザーレベルのために測定手順を繰り返します。垂直レーザーレベルが本機の横、側面に照射される運転モードを選択します。測定を開始する前に本機を90°回転させます。

最大許容誤差は以下のように計算します：

$2 \times \text{ドア開口部の高さ} \times 0.2 \text{ mm/m}$

例えばドア開口部の高さが2 mの場合の最大許容誤差は、

$2 \times 2 \text{ m} \times \pm 0.2 \text{ mm/m} = \pm 0.8 \text{ mm}$ となります。ポイントIIIとIVが0.8 mm以内であれば正常です。

作業に関する注意事項

- ▶ **レーザーラインの中央に印を付けてください。**
レーザーラインの幅は距離に応じて変化します。

ターゲットパネルを使用して作業する場合

条件があまり良好でない場合や距離が離れている場合には、ターゲットパネル(24)を使用すると、レーザーラインの視認性が向上します。

ターゲットパネル(24)の反射面により、レーザーラインの視認性が向上します。面がクリアタイプのため、ターゲットパネルの背面からもレーザーラインを確認することができます。

三脚(付属品)を使用して作業する場合

三脚は、安定感のある、高さ調整可能な測定用ツールです。本機の三脚取付部(16) (1/4インチ)を三脚(28)または市販の撮影用三脚のネジ部に合わせます。市販の三脚に固定する場合には、5/8インチの三脚取付部(17)を使用してください。三脚の固定用ネジを締め付けて本機を固定します。本機をオンにする前に、三脚の位置をある程度調整してください。

マルチマウントクリップ(付属品)を使用した固定(図Bを参照)

マルチマウントクリップ(21)を使用して、本機を垂直の面や磁性材料などに固定することができます。マルチマウントクリップは床用三脚にも適しており、本機の高さを容易に調整できるようになります。

- ▶ **付属品を表面に固定する際、磁力のある付属品の裏側に指を近づけないようにしてください。**
マグネットの引力が強いため、指が挟まれる可能性があります。

本機をオンにする前に、マルチマウントクリップ(21)の位置をある程度調整してください。

レーザー受光器(付属品)を使用して作業する場合(図Bを参照)

光の状態があまり良くない場合(周囲が明るかったり、直射日光が当たる場合など)や距離が離れている場合には、レーザーラインが探知しやすくなるよう、レーザー受光器(25)を使用してください。レーザー受光器を使用して作業するときは、(参照 „パルスモード“, ページ 18)にしてください。

レーザー用保護メガネ(付属品)

レーザー用保護メガネは周囲の光を透過するため、目にはレーザーの光がより明るく感じられます。

- ▶ **安全メガネとしてレーザー用保護メガネ(アクセサリ)を使用しないでください。**レーザー用保護メガネはあくまでもレーザービームを見やすくするためのもので、レーザー光から保護するものではありません。
- ▶ **レーザー用保護メガネ(アクセサリ)をサングラスとして使用したり、道路交通上で着用したりしないでください。**レーザー用保護メガネは紫外線から目を完全に守ることはできず、また着用したままだと色の認識力を低下させます。

作業事例(図A-Fを参照)

本機の用途事例は構成図に記載されています。

お手入れと保管

保守と清掃

本機を清潔に保ってください。

本機を水またはその他の液体に漬けたりしないでください。

汚れは水気を含んだ柔らかい布で拭き取ってください。洗剤や溶剤を使用しないでください。特にレーザー照射口の面は定期的に清掃を行い、糸くずなどが残らないよう注意してください。

本機を保管・運搬する際には、必ず付属のキャリングバッグ(27)またはケース(30)に収納してください。

本機を修理のために発送する際には、必ず付属のキャリングバッグ(27)またはケース(30)に収納してください。

カスタマーサービス & 使い方のご相談

製品の修理/メンテナンスや交換パーツに関してご質問等ございましたら、カスタマーサービスにぜひお問い合わせください。分解組立図や交換パーツに関する情報についてはHPでご確認いただけます (www.bosch-pt.com)。

ボッシュのアプリケーションサポートチームは、製品や付属品に関するご質問をお待ちしております。

お問い合わせまたは交換パーツの注文の際には、必ず本製品の銘板に基づき10桁の部品番号をお知らせください。

日本

ボッシュ株式会社 電動工具事業部
〒150-8360 東京都渋谷区渋谷 3-6-7
コールセンターフリーダイヤル 0120-345-762
(土・日・祝日を除く、午前 9:00 ~ 午後 5:30)
ホームページ: <http://www.bosch.co.jp>

その他のカスタマーサービス対応窓口はこちら：
www.bosch-pt.com/serviceaddresses

運搬

推奨のリチウムイオン電池は危険物規制規則の条項に準拠しています。ユーザーが電池を路上輸送することについて制約が課されることはありません。

一方、第三者（航空輸送会社や運送会社など）が発送を行う場合には、包装とラベルに関する特別な条項に特に注意する必要があります。発送する品物の準備については危険物の取扱を熟知した専門の担当者の指導を必ず求めてください。

外装が損傷していない場合にのみ、電池を発送してください。開接点は必ず覆い、電池をしっかり梱包し、包装の中で動かないようにしてください。また、その他の地域の規定にも注意してください。

廃棄



メジャーリングツール、電池/バッテリー、アクセサリおよび梱包材は、環境に適合した方法でリサイクルしてください。



メジャーリングツールと電池/バッテリーを一般の家庭用ごみとして廃棄しないでください！

バッテリー/電池:

リチウムイオンバッテリー:

運搬の項に記載されている指示に注意してください(参照 „運搬“, ページ 22)。

中文

安全规章



必须阅读并注意所有说明，以安全可靠地操作测量仪。如果不按照给出的说明使用测量仪，可能会影响集成在测量仪中的保护功能。测量仪上的警戒牌应保持清晰可读的状态。请妥善保存本说明书，并在转交测量仪时将本说明书一起移交。

- ▶ 小心 - 如果使用了与此处指定的操作或校准设备不同的设备，或执行了不同的过程方法，可能会导致危险的光束泄露。
- ▶ 本测量仪交付时带有一块激光警戒牌（在测量仪示意图的图形页中标记）。
- ▶ 如果激光警戒牌的文字并非本国语言，则在第一次使用前，将随附的本国语言的贴纸贴在警戒牌上。



不得将激光束指向人或动物，请勿直视激光束或反射的激光束。可能会致人炫目、引发事故或损伤眼睛。

- ▶ 如果激光束射向眼部，必须有意识地闭眼，立即从光束位置将头移开。
- ▶ 请不要对激光装置进行任何更改。
- ▶ 激光视镜（附件）不得用作护目镜。激光视镜用于更好地识别激光束；然而对激光束并没有防护作用。
- ▶ 激光视镜（附件）不得用作太阳镜或在道路交通中使用。激光视镜并不能完全防护紫外线，还会干扰对色彩的感知。
- ▶ 仅允许由具备资质的专业人员使用原装备件修理测量仪。如此才能够确保测量仪的安全性能。
- ▶ 不得让儿童在无人看管的情况下使用激光测量仪。可能意外地让他人或自己炫目。
- ▶ 请勿在有易燃液体、气体或粉尘的潜在爆炸性环境中使用测量仪。测量仪器内可能产生火花并点燃粉尘和气体。
- ▶ 切勿打开充电电池。可能造成短路。
- ▶ 如果充电电池损坏或者未按照规定使用，充电电池中会散发出有毒蒸汽。充电电池可能会燃烧或爆炸。工作场所必须保持空气流通，如果身体有任何不适必须马上就医。蒸汽会刺激呼吸道。
- ▶ 如果充电电池使用不当或者损坏，可能会有易燃的电解液从充电电池中流出。避免与之接触。如果意外碰到，用水冲洗。如果电解液碰到眼睛，还要寻求医疗帮助。从充电电池流出的液体会刺激或灼伤皮肤。
- ▶ 钉子、螺丝刀等尖锐物品或外力作用可能会损坏充电电池。有可能出现内部短路、蓄电池燃烧、发出烟雾、爆炸或过热。
- ▶ 当电池盒不用时，将它远离其他金属物体，例如回形针、硬币、钥匙、钉子、螺钉或其他小金属物体，以防一端与另一端连接。电池端部短路会引起燃烧或火灾。

- ▶ **只能将此充电电池用在制造商的产品中。** 这样才能确保充电电池不会过载。
- ▶ **请只用制造商推荐的充电器充电。** 不可以使用针对某些特定蓄电池的充电器，为其它的蓄电池充电，可能引起火灾。



保护充电电池免受高温（例如长期阳光照射）、火焰、脏污、水和湿气的侵害。有爆炸和短路的危险。



- ▶ **在测量仪上进行任何工作（例如安装、维护等）以及搬运、保存测量仪之前，都必须从设备中取出电池或蓄电池。** 无意间操作起停开关可能会造成伤害。
- ▶ **在某些条件下，测量仪工作时发出很大的信号声。** 因此请将测量仪远离耳朵或其他人员。响亮的声音会损坏听力。



不要将测量仪和磁性附件靠近植入物和其他医疗设备，例如心脏起搏器或胰岛素泵。 测量仪和附件的磁性会产生磁场，这可能对植入物和医疗设备的功能产生不利影响。

- ▶ **让测量仪和磁性附件远离磁性数据媒体和对磁性敏感的设备。** 测量仪和附件的磁性作用可能会导致不可逆的数据丢失。
- ▶ **本测量仪装备了一个无线接口。** 必须注意本地运行限制，例如在飞机上或医院里。

蓝牙®文字标记和图形符号（标志）是Bluetooth SIG公司的注册商标和财产。Robert Bosch Power Tools GmbH根据许可可使用这些文字标记/图形符号。

- ▶ **注意！** 在使用配有**蓝牙®**的测量仪时，其它装置和设备、飞机和医疗器械（例如心脏起搏器、助听器）可能会出现故障。同样不能完全排除周围的人和动物会受到伤害。请不要在医疗设备、加油站、化工厂、有爆炸危险的地区附近和在爆破区内使用配有**蓝牙®**的测量仪。请不要在飞机上使用配有**蓝牙®**的测量仪。请避免在身体附近较长时间使用。

产品和性能说明

请注意本使用说明书开头部分的图示。

按照规定使用

测量仪用于确定和检测水平线和垂直线。

技术数据

线段激光测量仪	GLL 3-80 CG
物品号	3 601 K63 U..
工作范围（半径） ^{A)}	
- 标准	30米
- 在接收模式中	25米
- 带激光接收器	5-120米
找平准确性 ^{B)C)D)}	±0.2 毫米/米

本测量仪适合在室内和室外使用。

插图上的机件

机件的编号和仪器详解图上的编号一致。

- (1) 激光束发射口
- (2) 充电电池/蓄电池充电电量
- (3) 摆动止动件指示灯
- (4) 接收模式按键
- (5) 接收模式指示灯
- (6) 激光运行模式按键
- (7) 蓝牙®连接显示
- (8) 蓝牙®键
- (9) 充电电池盒
- (10) 蓄电池适配器外壳^{a)}
- (11) 蓄电池^{a)}
- (12) 充电电池/蓄电池适配器的解锁按键^{a)}
- (13) 蓄电池适配器密封帽^{a)}
- (14) 充电电池^{a)}
- (15) 电源开关
- (16) 1/4英寸三脚架接头
- (17) 5/8英寸三脚架接头
- (18) 序列号
- (19) 激光警示牌
- (20) 磁铁^{a)}
- (21) 通用支架^{a)}
- (22) 旋转平台^{a)}
- (23) 遥控器^{a)}
- (24) 激光靶^{a)}
- (25) 激光接收器^{a)}
- (26) 激光视镜^{a)}
- (27) 保护袋^{a)}
- (28) 三脚架^{a)}
- (29) 伸缩杆^{a)}
- (30) 箱子^{a)}
- (31) 填充物^{a)}

a) 图表或说明上提到的附件，并不包含在基本的供货范围中。本公司的附件清单中有完整的附件供应项目。

线段激光测量仪	GLL 3-80 CG
自找平范围	±4度
找平时间	< 4 秒
基准高度以上的最大使用高度	2000米
最大相对湿度	90%
脏污程度符合IEC 61010-1	2 ^{FI}
激光等级	2
激光种类	500–540纳米, < 10毫瓦
C ₆	10
激光线散度	50 × 10毫弧度 (全角)
最短脉冲时间	1/10000秒
脉冲频率	
– 不带接收模块工作	13千赫
– 在接收模式中工作	10千赫
兼容的激光接收器	LR7
三脚架接头	1/4英寸, 5/8英寸
测量仪电源	
– 充电电池 (锂离子)	10.8伏特/12伏特
– 蓄电池 (碱-锰)	4 × 1.5伏特LR6 (AA) (带蓄电池适配器)
带3个激光面的运行时间 ^{F)}	
– 带充电电池	6小时
– 带蓄电池	4小时
蓝牙®测量仪	
– 兼容性	蓝牙® 4.0 (低能耗) ^{G)}
– 最大信号有效范围	30米 ^{H)}
– 工作频率范围	2402–2480兆赫
– 频率范围	2400–2483.5兆赫
– 最大发送功率	< 1毫瓦
– 发射功率	≤ 100 毫瓦 (EIRP)
蓝牙®智能手机	
– 兼容性	蓝牙® 4.0 (低能耗) ^{G)}
– 操作系统	Android 6 (及更高版本) iOS 11 (及更高版本)
重量符合EPTA-Procedure 01:2014	
– 带充电电池	0.90公斤
– 带蓄电池	0.86公斤
尺寸 (长 × 宽 × 高)	162 × 84 × 148毫米
防护类型 ^{I)}	IP 54 (防尘、防溅)
充电时建议的环境温度	0摄氏度至+35摄氏度
运行时允许的环境温度	-10摄氏度至+40摄氏度
存放时允许的环境温度	-20 摄氏度至+70 摄氏度
推荐的充电电池	GBA 10,8V... GBA 12V... (GBA 12V ≥ 4.0 安培小时除外)

线段激光测量仪

GLL 3-80 CG

推荐的充电器

GAL 12...

GAX 18...

- A) 工作范围可能会因为环境条件不利（比如阳光直射）而缩小。
- B) 在**20–25**摄氏度时
- C) 适用于四个水平交叉点。
- D) 给出的数值以正常至有利的环境条件为前提（例如无振动、无大雾、无烟雾、无直接的阳光照射）。强烈的温度波动之后可能导致精度偏差。
- E) 仅出现非导电性污染，不过有时会因凝结而暂时具备导电性。
- F) 蓝牙®运行和/或与RM 3组合，运行时间更短
- G) 对于蓝牙®低能耗设备，视型号和操作系统而定可能不能建立连接。蓝牙®设备必须支持SPP规范。
- H) 根据外部条件包括所用接收设备的不同，覆盖范围会有很大差别。在封闭的室内以及由于金属障碍物（如墙壁、台架、箱子等），蓝牙®覆盖范围可能明显缩小。
- I) 锂离子蓄电池和蓄电池适配器AA1被排除在IP54之外。
型号铭牌上的序列号**(18)**是测量仪唯一的识别码。

安装

测量仪电源

本测量仪可以使用一般的电池也可以使用博世锂离子蓄电池。

以蓄电池驱动

▶ **请只使用在技术参数中列出的充电器。**只有这些充电器才与可用在本测量仪上的锂离子蓄电池相匹配。

提示：鉴于国际运输规定，锂离子充电电池在交货时只完成部分充电。首度使用电动工具之前，必须先充足充电电池的电量以确保充电电池的功率。

要**装入**已充电的充电电池**(14)**，请将该电池推入电池仓**(9)**中，直至能感觉到它卡入。

要**取出**充电电池**(14)**，请按压解锁按键**(12)**，然后将充电电池从电池仓**(9)**中拔出。**在此过程中请勿过度用力。**

以电池驱动

建议使用碱性电池运行测量仪。

电池应装在电池适配器中。

▶ **电池适配器仅用于特定的博世测量仪，不允许配合电动工具使用。**

要**装入**蓄电池，请将电池适配器的外壳**(10)**推入电池仓**(9)**中。根据密封帽**(13)**上的图示将蓄电池放入外壳中。将密封帽推到外壳上，直至听到卡止声。

要**取出**蓄电池**(11)**，请按压密封帽**(13)**的解锁按键**(12)**，然后拔下密封帽。注意电池不要掉出。支撑住测量仪，向上对准电池仓**(9)**。取出电池。如要取出电池仓内部的外壳**(10)**，则将手伸入外壳中，然后轻轻按压侧壁将其从测量仪中取出。

务必同时更换所有的电池。请使用同一制造厂商生产的相同容量电池。

▶ **长时间不用时，请将电池从测量仪中取出。**在长时间存放于测量仪中的情况下，蓄电池可能会腐蚀以及自行放电。



蓄电池充电电量指示灯

充电电量显示灯**(2)**显示充电电池或蓄电池的充电电量：

LED	充电状态
绿色长亮	100–75 %
黄色长亮	75–35 %
红色常亮	35–10 %
无灯光	– 充电电池损坏 – 蓄电池没电了

当充电电池或电池的电量不足时，激光线的亮度缓慢减弱。

请立即更换有故障的充电电池或电量耗尽的蓄电池。

工作

投入使用

- ▶ **不可以让湿气渗入仪器中，也不可以让阳光直接照射在仪器上。**
- ▶ **请勿在极端温度或温度波动较大的情况下使用测量仪。**比如请勿将测量仪长时间放在汽车内。温度波动较大的情况下，先让测量仪的温度稳定下来，在继续加工前应先进行精度检查（参见“测量仪精度检查”，页 27）。如果仪器暴露在极端的气候下或温差相当大的环境中，会影响测量仪的测量准确度。
- ▶ **避免让测量仪发生剧烈碰撞或将其跌落。**测量仪受到强烈的外部作用之后，在重新使用前务必进行精度检查（参见“测量仪精度检查”，页 27）。
- ▶ **运输时，请关闭测量仪。**关机后摆动零件会被锁定，否则摆动零件可能因为强烈的震动而受损。

接通/关闭

如要**接通**测量仪，请将电源开关**(15)**推到位置“**On**”（操作时使用摆动止动件）或推到位置“**On**”（操作时使用自动找平功能）。启动后，测量仪立即从放射口**(1)**射出激光线。

- ▶ **不得将激光束对准人或动物，也请勿直视激光束，即使和激光束相距甚远也不可以做上述动作。**

如要**关闭**测量仪，请将电源开关(15)推到位置**Off**。关闭状态下，摆动单元会被锁止。

- ▶ **测量仪接通后应有人看管，使用后应关闭。**激光可能会让旁人炫目。

超出所允许的最高工作温度**40 °C**时，测量仪就会关闭以保护激光二极管。待测量仪冷却后便能够再度操作，此时您又可以再度开动仪器了。

当测量仪的温度接近所允许的最高工作温度时，激光线的亮度缓慢减弱。

测量仪受到防静电放电 (ESD) 保护。如果测量仪产生静电（例如在低湿度环境下进行接触），则会自动关闭。在这种情况下，请关闭电源开关(15)然后再次接通。

关闭仪器的自动关机功能

如果在约**120分钟**的时间内没有按下测量仪上的任何按键，则测量仪自动关闭，以保护蓄电池。

为了在自动关闭后再次接通测量仪，您可以先将起停开关(15)推到位置“**Off**”，然后再次接通测量仪，或按压激光运行方式按键(6)或接收模式按键(4)。

如需停用自动断开装置，请（在测量仪接通时）按住激光运行方式按键(6)至少**3秒钟**。如果自动断开装置已停用，则激光束短促闪烁进行确认。

关闭测量仪然后再开动仪器，便可以再启动自动关机功能。

关闭信号声功能

开动测量仪时信号声功能便随著被启动。

同时按压激光运行方式按键(6)和接收模式按键(4)且按住至少**3秒钟**，以禁用或激活信号音。

在关闭和启动信号声功能时，仪器都会发出三道短暂的信号声来确认。

运行模式

本测量仪有数种不同的测量功能，您可以随时在这些功能之间进行转换：

- 产生一个水平激光面，
- 产生一个垂直激光面，
- 产生两个垂直激光面，
- 产生一个水平激光面以及两个垂直激光面。

接通后，测量仪生成一个水平激光面。要切换运行模式，请按压激光运行方式按键(6)。

在所有运行模式中均可选择使用自动找平功能或使用摆动止动件。

接收模式

为操作激光接收器(25)，无论选择何种运行方式，都必须激活接收模式。

在接收模式中，激光线以较高频率闪烁，以便激光接收器(25)找到。

如要接通接收模式，请按压按键接收模式(4)。接收模式指示灯(5)亮起绿色。

为保护眼睛，接通接收模式时降低了激光线的可见性。因此，对于无需激光接收器的操作，重新按压接收模式按键(4)关闭接收模式。接收模式(5)指示灯熄灭。

自动找平功能

使用自动找平功能进行测量

将测量仪放到一个水平的、稳固的底板上，将其固定到通用支架(21)或三脚架(28)上。

对于带自动找平功能的操作，请将起停开关(15)推到位置“**On**”。

在**±4度**的自找平范围内自动校平。只要激光线不再移动则表示测量仪已经完成找平。

如果无法自动找平，比如因为测量仪的支承面与水平偏差超过**4度**，激光束会以快节奏闪烁。在激活了信号声的情况下，以快节奏响起一个信号声。

水平放置测量仪，然后等其自找平。一旦测量仪在**±4度**的自找平范围内，激光束会长亮，信号声关闭。

运行中若出现抖动或位置改变，测量仪会自动再次找平。重新找平后基于参考点检查水平或垂直激光线的位置，以避免由于测量仪移动而导致的错误。

操作时使用摆动止动件

对于带摆动止动件的操作，请将电源开关(15)推到位置“**On**”。摆动止动件指示灯(3)亮起红灯，激光线一直以慢节拍闪烁。

使用摆动止动件操作时自动找平功能则关闭。您可以把测量仪握在手上或者放在倾斜的底垫上操作。此时激光线段不再找平以及强制性地彼此垂直。

通过“Bosch Levelling Remote App”遥控

测量仪装备了**蓝牙®**模块，利用无线技术借助带**蓝牙®**接口的智能手机实现远程遥控。

使用该功能需要安装“**Bosch Levelling Remote App**”应用程序 (App)。可根据终端设备在相应的应用程序商店 (Apple App Store、Google Play Store) 下载该程序。

关于建立**蓝牙®**连接所需的系统前提条件的信息，可在博世网站上找到：www.bosch-pt.com。

借助**蓝牙®**远程遥控时，移动终端设备与测量仪之间可能因接收条件不佳出现时间延迟。

接通蓝牙®

如需接通**蓝牙®**进行远程遥控，请按压**蓝牙®**按键(8)。请确保移动终端设备上的**蓝牙®**接口已激活。

在启动博世应用程序后，会在移动终端设备和测量仪之间建立连接。如果找到多个激活的测量仪，请选择合适的测量仪。如果只找到一个激活的测量仪，则自动建立连接。

一旦**蓝牙®**指示灯(7)亮起，就建好了连接。

蓝牙®连接可能会因距离过远或测量仪和移动终端设备间的障碍物及电磁干扰源而中断。这种情况下，**蓝牙®**指示灯(7)闪烁。

关闭蓝牙®

为关闭遥控蓝牙®, 请按压蓝牙®键(8)或关闭测量仪。

测量仪精度检查

影响精度的因素

操作环境的温度是最大的影响因素。尤其是由地面往上延伸的渐进式温度差异可能会转移激光束。

为了最大程度地降低从地板散发出的热量带来的热影响, 建议将测量工具装在三脚架上。另外, 尽可能把测量仪摆在测量场所的中央。

除了外部影响, 对设备特殊的影响(例如掉落或强烈撞击)也会导致出现偏差。因此, 每次工作前都要检查校准准确性。

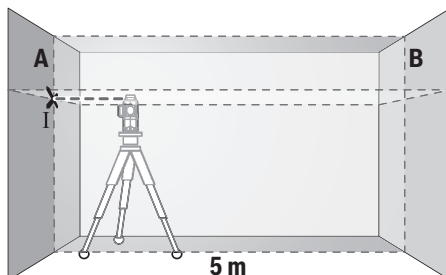
首先检查水平激光束的找平精度, 然后检查垂直激光束的找平精度。

如果在检查时发现测量仪的偏差超过最大极限, 则将其交给Bosch客户服务处进行修理。

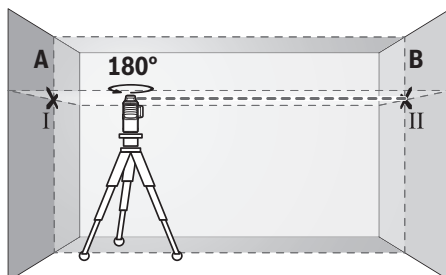
检查横轴的水平水准精度

针对这项检查, 您必须找一段无障碍物的5米长线段, 而且该测量线段必须介于两面墙A和B之间。

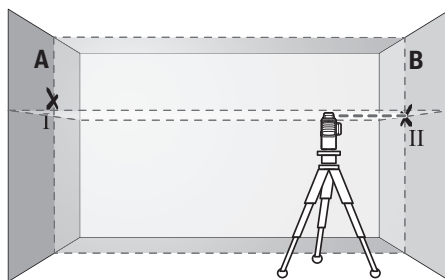
- 将测量仪安装在靠近墙面A的三脚架上, 或将测量仪放置在稳固的平整基底上。在使用自动找平功能的运行中接通测量仪。选择在测量仪正面产生水平激光面和垂直激光面的运行模式。



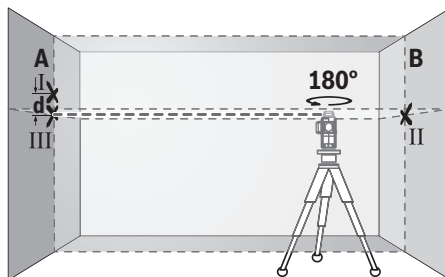
- 把激光束对准比较靠近的墙A并让测量仪找平。找到激光束在墙面上交叉的那一点(点I), 并标记该点的中心位置。



- 将测量仪旋转180°, 找平, 然后在对面的墙B上标记激光束的交叉点(点II)。
- 靠近墙B放下测量仪, 不要旋转, 接通, 找平。



- 调整测量的高度(借助三脚架, 必要时通过垫板), 使激光线的交叉点正好与墙B上之前标记的点II重合。



- 将测量仪旋转180°, 不要改变高度。将测量仪对准墙A, 使垂直激光线穿过标记的点I。让测量仪找平并标记激光线在墙A上的交叉点(点III)。
- 墙A上标记的点I和点III之间的差值d就是测量仪的实际高度差。

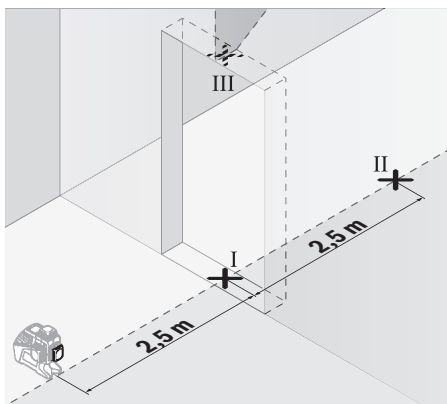
在 2×5 米 = 10 米的测量距离内允许的最大偏差为:

10 米 $\times \pm 0.2$ 毫米/米 = ± 2 毫米。就是说, 点I和点II之间的差值d最大允许为2 毫米。

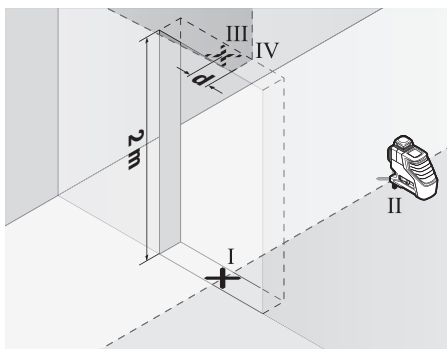
检查垂直方向的激光束的找平精度

检查时需要一个门孔, (在稳固基底上) 检查时门各侧至少有2.5米的位置。

- 将测量仪放置在距离门孔2.5米远的稳固、平整的基底上(而不是在三脚架上)。在使用自动找平功能的运行中接通测量仪。选择在测量仪正面产生垂直激光面的运行模式。



- 在门孔底(点I)、距门孔侧面5米(点II)和距门孔上边缘5米(点III)处分别标记垂直激光线的中心。



- 将测量仪旋转180°，然后将其放到门口的另一侧，正好位于点II的下方。让测量仪找平，以校准垂直激光线，使激光线的中心正好贯穿点I和点II。
- 将门孔上边缘的激光线中心标记为点IV。
- 点III和IV之间的差值d就是测量仪在垂直方向的实际偏差。
- 测量门孔的高度。

重复以上过程来检查第二道垂直激光面。选择在测量仪侧面产生垂直激光面的运行模式，并在启动测量过程前将测量仪旋转90°。

请按如下步骤计算所允许的最大偏差：

两倍的门孔高度 × 0.2毫米/米

例如：门孔高度为2米，则允许的最大偏差

$2 \times 2 \text{米} \times \pm 0.2 \text{毫米/米} = \pm 0.8 \text{毫米}$ 。就是说，点III和IV之间最多相距0.8毫米。

工作提示

- ▶ 仅使用激光线中心来标记。激光线的宽度随距离的改变而改变。

使用激光靶工作

在条件不佳和距离较远时，激光靶(24)可以改善激光束的可见性。

激光靶(24)的反光面可以改善激光线的可见性，通过透明面可以在激光靶的背面看到激光线。

三脚架的使用(附件)

三脚架提供稳定的、高度可调的测量底座。将测量仪用1/4"三脚架接头(16)安装到三脚架(28)或市售摄影三脚架的螺纹上。要固定到市售组合式三脚架上时，请使用5/8"三脚架接头(17)。使用三脚架的固定螺栓将测量仪固定。

在开动测量仪之前，先大略地调整好三脚架的位置。

用通用支架进行固定(附件)(参见插图B)

借助通用支架(21)，您可以将测量仪固定到垂直表面或可磁化材料上。通用支撑也可以充当地面三脚架，它可以减轻调整测量仪高度的工作。

- ▶ 如果固定住附件的上表面，要让手指远离磁力附件的背面。磁贴巨大的吸力可能会夹住手指。

接通测量仪前，请先大略地调整好通用支架(21)。

激光接收器的使用(附件)(参见插图B)

在光线不佳(周围环境明亮，阳光直射)且距离更远的情况下使用激光接收器(25)以更好地找到激光线。使用激光接收器时，请接通接收模式(参见“接收模式”，页26)。

激光辨识镜(附件)

激光辨识镜会过滤周围环境的光线。因此激光束会显得更亮。

- ▶ 激光视镜(附件)不得用作护目镜。激光视镜用于更好地识别激光束；然而对激光束并没有防护作用。
- ▶ 激光视镜(附件)不得用作太阳镜或在道路交通中使用。激光视镜并不能完全防护紫外线，还会干扰对色彩的感知。

工作范例(参见插图A-F)

有关测量仪的使用范例请参考说插图说明。

维修和服务

维护和清洁

测量仪器必须随时保持清洁。

不可以把仪器放入水或其它的液体中。

使用潮湿，柔软的布擦除仪器上的污垢。切勿使用任何清洁剂或溶剂。

务必定期清洁激光出口，清洁时不可以在出口残留绒毛。

存储和搬运测量仪时，一定要将其放在保护袋(27)或箱子(30)中。

需要修理时，请将测量仪装入保护袋(27)或箱子(30)邮寄。

客户服务和应用咨询

本公司顾客服务处负责回答有关本公司产品的修理、维护和备件的问题。备件的展开图纸和信息也可查看：www.bosch-pt.com

博世应用咨询团队乐于就我们的产品及其附件问题提供帮助。

询问和订购备件时，务必提供机器铭牌上标示的10位数物品代码。

中国大陆

博世电动工具（中国）有限公司
中国 浙江省 杭州市
滨江区 滨康路567号
102/1F 服务中心
邮政编码：310052
电话：(0571)8887 5566 / 5588
传真：(0571)8887 6688 x 5566# / 5588#
电邮：bsc.hz@cn.bosch.com
www.bosch-pt.com.cn

制造商地址：

Robert Bosch Power Tools GmbH
罗伯特·博世电动工具有限公司
70538 Stuttgart / GERMANY
70538 斯图加特 / 德国

其他服务地址请见：

www.bosch-pt.com/serviceaddresses

搬运

所推荐的锂离子充电电池必须符合危险物品法规。使用者无须另外使用保护包装便可以运送该充电电池。

但是如果将它交由第三者运送（例如：寄空运或委托运输公司）则要使用特殊的包装和标示。此时必须向危险物品专家请教有关寄送危险物品的相关事宜。

确定充电电池的外壳未受损后，才可以寄送充电电池。粘好未加盖的触点并包装好充电电池，不可以让充电电池在包装中晃动。必要时也得注意各国有关的法规。

处理废弃物



应对测量仪、蓄电池/电池、附件和包装进行环保的回收利用。



请勿将测量仪和电池/蓄电池扔到生活垃圾里。

蓄电池/电池：

锂离子：

请注意 搬运 段落中的指示。（参见“搬运”，页 29）。

产品中有害物质的名称及含量

部件名称	有害物质					
	铅 (Pb)	汞 (Hg)	镉 (Cd)	六价铬 (Cr ⁶⁺)	多溴联苯 (PBB)	多溴二苯醚 (PBDE)
外壳的金属部分	X	O	O	O	O	O
外壳的非金属部分（包括玻璃）	O	O	O	O	O	O
组合印刷电路板	X	O	O	O	O	O
附件 ^{A)}	X	O	O	O	O	O
碱性锰电池系统	O	O	O	O	O	O
充电电池系统 ^{B)}	X	O	O	O	O	O
键盘	O	O	O	O	O	O
显示器 ^{C)}	O	O	O	O	O	O
激光模块 ^{D)}	X	O	O	O	O	O
内部连接电缆	O	O	O	O	O	O

A) 适用于采用附件的产品

B) 适用于采用充电电池供电的产品

C) 适用于采用显示器的产品

D) 适用于采用激光模块的产品

本表是按照SJ/T 11364的规定编制

O：表示该有害物质在该部件所有物质材料中的含量均在GB/T 26572规定的限量要求以下。

X：表示该有害物质至少在该部件的某一物质材料中的含量超出GB/T 26572规定的限量要求，且目前业界没有成熟的替代方案，符合欧盟RoHS指令环保要求。

产品环保使用期限内的使用条件参见产品说明书。

繁體中文

安全注意事項



為確保能夠安全地使用本測量工具，您必須完整詳讀本說明書並確實遵照其內容。若未依照現有之說明內容使用測量工具，測量工具內部所設置的防護措施可能無法發揮應有功效。謹慎對待測量工具上的警告標示，絕對不可讓它模糊不清而無法辨識。請妥善保存說明書，將測量工具轉交給他人時應一併附上本說明書。

- ▶ **小心** - 若是使用非此處指明的操作設備或校正設備，或是未遵照說明的操作方式，可能使您暴露於危險的雷射光照射環境之下。
- ▶ 本測量工具出貨時皆有附掛雷射警示牌（即測量工具詳解圖中的標示處）。
- ▶ 雷射警示牌上的內容若不是以貴國語言書寫，則請於第一次使用前將隨附的當地語言說明貼紙貼覆於其上。



請勿將雷射光束對準人員或動物，您本人亦不可直視雷射光束或使雷射光束反射。因為這樣做可能會對他人眼睛產生眩光，進而引發意外事故或使眼睛受到傷害。

- ▶ 萬一雷射光不小心掃向眼睛，應立刻閉上眼睛並立刻將頭轉離光束範圍。
- ▶ 請勿對本雷射裝備進行任何改造。
- ▶ 請勿將雷射眼鏡當作護目鏡（配件）使用。雷射眼鏡是用來讓您看清楚雷射光束；但它對於雷射光照射並沒有保護作用。
- ▶ 請勿將雷射眼鏡當作護目鏡（配件）使用，或在道路上行進間使用。雷射眼鏡無法完全阻隔紫外線，而且還會降低您對於色差的感知能力。
- ▶ 本測量工具僅可交由合格的專業技師以原廠替換零件進行維修。如此才能夠確保本測量工具的安全性。
- ▶ 不可放任兒童在無人監督之下使用本雷射測量工具。他們可能會不小心對他人或自己的眼睛造成眩光。
- ▶ 請不要在存有易燃液體、氣體或粉塵等易爆環境下操作本測量工具。測量工具內部產生的火花會點燃粉塵或氣體。
- ▶ 切勿拆開充電電池。可能造成短路。
- ▶ 如果充電電池損壞了，或者未按照規定使用充電電池，充電電池中會散發出有毒蒸氣。充電電池可能起火或爆炸。工作場所必須保持空氣流通，如果身體有任何不適必須馬上就醫。充電電池散發的蒸氣會刺激呼吸道。
- ▶ 不當使用或充電電池受損時，充電電池可能會流出可燃液體。請避免接觸。意外沾到時，請用水徹底沖洗。如果液體跑進眼睛裡，請進一步就醫。從電池中滲出的液體可能造成腐蝕或起火。
- ▶ 尖銳物品（例如釘子或螺絲起子）或是外力皆有可能造成充電電池損壞。進而導致內部短路而發生電池起火、冒煙、爆炸或過熱等事故。

- ▶ 充電電池不使用時，請讓它遠離迴紋針、硬幣、鑰匙、釘子、螺釘或其他小金屬物體，以免造成兩極相接。電池端點短路會引起燃燒或火災。
- ▶ 僅可使用產品的原廠充電電池。如此才可依照產品提供過載保護。
- ▶ 僅能使用製造商規定的充電器進行充電。將適用於某特定電池盒的充電器用於其他電池盒時，可能會造成起火燃燒。



保護充電電池免受高溫（例如長期日照）、火焰、污垢、水液和濕氣的侵害。有爆炸及短路之虞。

- ▶ 在測量工具上進行任何作業（例如安裝、保養等等）以及搬運、收納測量工具之前，必須先將充電電池或一般電池從測量工具中取出。若是不小心觸動起停開關，可能造成人員受傷。
- ▶ 在某些情況下，測量工具運轉時會發出高分貝的聲音訊號。因此，請保持測量工具遠離耳邊及其他人員。高音量可能造成聽力受損。



測量工具與磁性配件不得接近植入裝置以及諸如心律調節器或胰島素幫浦等其他醫療器材。測量工具和配件中含有磁鐵，形成的磁場可能干擾植入裝置和醫療器材運作。

- ▶ 請讓測量工具與磁性配件遠離磁性資料儲存裝置和易受磁場干擾的高靈敏器材。測量工具和配件內的磁鐵，形成的磁場可能造成無法挽救的資料遺失。
 - ▶ 本測量工具配備無線介面。請您務必遵守不同場所的使用限制條件，例如在飛機或醫院內。
- Bluetooth® 一詞及其標誌（商標）為 Bluetooth SIG, Inc. 所擁有之註冊商標。Robert Bosch Power Tools GmbH 對於此詞彙/標誌之任何使用均已取得授權。

- ▶ **小心！** 使用測量工具時若開啟 藍牙®（藍牙）功能，將可能對其他裝置或設備、飛機以及醫療器材（例如心律調節器、助聽器等）產生干擾。同樣亦無法完全排除對鄰近之人員或動物造成身體危害的可能性。請勿在醫療器材、加油站、化學設備、爆炸危險場所以及易爆環境等處附近，使用測量工具的 藍牙® 功能。請勿在飛機上使用測量工具的 藍牙® 功能。應避免直接貼靠在身體部位旁長時間持續操作。

產品和功率描述

請留意操作說明書中最前面的圖示。

依規定使用機器

此測量工具的設計適合用來確認及檢查水平線及垂直線。

本測量工具可同時適用於室內及戶外應用。

插圖上的機件

機件的編號和儀器詳解圖上的編號一致。

- (1) 雷射光束射出口

- | | |
|------------------------------------|--------------------------|
| (2) 充電電池／拋棄式電池的目前電量 | (18) 序號 |
| (3) 擺動鎖指示器 | (19) 雷射警示牌 |
| (4) 接收模式按鈕 | (20) 磁鐵 ^{a)} |
| (5) 接收模式指示燈 | (21) 萬用托架 ^{a)} |
| (6) 雷射操作模式按鈕 | (22) 轉檯 ^{a)} |
| (7) 藍牙® 連線指示燈 | (23) 遙控器 ^{a)} |
| (8) 藍牙® 按鈕 | (24) 雷射標靶 ^{a)} |
| (9) 電池盒 | (25) 雷射接收器 ^{a)} |
| (10) 電池轉接匣 ^{a)} | (26) 雷射辨識鏡 ^{a)} |
| (11) 電池 ^{a)} | (27) 保護布袋 ^{a)} |
| (12) 充電電池／電池轉接器的解鎖按鈕 ^{a)} | (28) 三腳架 ^{a)} |
| (13) 電池轉接器的密封端蓋 ^{a)} | (29) 伸縮桿 ^{a)} |
| (14) 充電電池 ^{a)} | (30) 提箱 ^{a)} |
| (15) 起停開關 | (31) 襯盒 ^{a)} |
| (16) 1/4" 三腳架固定座 | |
| (17) 5/8" 三腳架固定座 | |

a) 圖表或說明上提到的配件，並不包含在基本的供貨範圍中。本公司的配件清單中有完整的配件供應項目。

技術性數據

雷射墨線儀	GLL 3-80 CG
產品機號	3 601 K63 U..
工作範圍 (半徑) ^{A)}	
- 標準	30 m
- 進入接收模式	25 m
- 使用雷射接收器	5-120 m
調平精準度 ^{B)C)D)}	±0.2 mm/m
自動調平範圍	±4°
調平耗時	< 4 秒
最高適用海拔	2000 m
空氣相對濕度最大值	90 %
依照 IEC 61010-1, 污染等級為	2 ^{E)}
雷射等級	2
雷射種類	500-540 nm, <10 mW
C ₆	10
雷射標線的光束發散角	50 × 10 mrad (全角度)
最短的脈衝時間	1/10000 秒
脈衝率	
- 無接收模式下操作	13 kHz
- 在接收模式下操作	10 kHz
相容的雷射接收器	LR7
三腳架固定座	1/4"、5/8"
測量工具的電源供應	
- 充電電池 (鋰離子)	10.8 V/12 V
- 拋棄式電池 (鹼-錳)	4 × 1.5 V LR6 (AA) (使用電池轉接器)
同時使用 3 道雷射平面時的可連續工作時間 ^{F)}	
- 使用充電電池	6 小時
- 使用拋棄式電池	4 小時

雷射墨線儀

GLL 3-80 CG

具藍牙® 功能的測量工具

- 相容性	藍牙® 4.0 (Low Energy) ^{G)}
- 最遠訊號傳送範圍	30 m ^{H)}
- 工作頻率範圍	2402-2480 MHz
- 最大發射功率	< 1 mW

具藍牙® 功能的智慧型手機

- 相容性	藍牙® 4.0 (Low Energy) ^{G)}
- 作業系統	Android 6 (以上) iOS 11 (以上)

重量符合 EPTA-Procedure 01:2014

- 使用充電電池	0.90 kg
- 使用拋棄式電池	0.86 kg

尺寸 (長 × 寬 × 高)	162 × 84 × 148 mm
----------------	-------------------

防護等級 ^{I)}	IP 54 (防塵、防潑水設計)
--------------------	--------------------

充電狀態下的建議環境溫度	0°C ... +35°C
--------------	---------------

運轉時的容許環境溫度	-10°C ... +40°C
------------	-----------------

存放狀態下的容許環境溫度	-20°C ... +70°C
--------------	-----------------

建議使用的充電電池	GBA 10,8V... GBA 12V... (GBA 12V ≥ 4.0 Ah 除外)
-----------	---

建議使用的充電器	GAL 12... GAX 18...
----------	------------------------

A) 工作範圍在不利的環境條件下 (例如陽光直射) , 工作範圍將縮小。

B) 溫度為 **20-25 °C**

C) 適用於四個水平交叉點上。

D) 此處提供的是在一般至有利環境條件下可達到的數值 (比如無震動、無霧氣、無煙霧、無陽光直射) 。歷經劇烈溫度起伏之後, 精準度可能會發生偏差。

E) 只產生非傳導性污染, 但應預期偶爾因水氣凝結而導致暫時性導電。

F) 在 藍牙® 模式下及/或搭配 RM 3 一起使用時, 其運作時間較短

G) 具有 藍牙® 低功耗功能之工具裝置, 視其機型和作業系統, 可能會有無法建立連線之情形。藍牙® 裝置必須支援 SPP 模式。

H) 此傳送範圍受外在環境條件 (包含您所使用之接收裝置) 的影響而有極大差異。在密閉空間內, 諸如牆面、置物櫃、提箱等物品中的金屬部件會阻礙 藍牙® 功能的傳輸, 而使訊號傳送範圍明顯縮小。

I) 所謂 IP54 防護等級並不包含鋰離子充電電池以及電池轉接器 AA1。

從產品銘牌的序號 (18) 即可確定您的測量工具機型。

安裝

測量工具的電源供應

本測量工具可以使用一般的電池也可以使用博世鋰離子充電電池。

以充電電池驅動

- ▶ 只能選用技術性數據裡所列出的充電器。僅有這些充電器適用於測量工具所使用的鋰離子充電電池。

提示: 由於國際運輸規定, 出貨時鋰離子充電電池已部分充電。初次使用電動工具之前, 請先將充電電池充飽電以確保充電電池蓄滿電力。

若要**裝入**已充好電的充電電池 (14), 請將它推入電池盒 (9), 直到感覺已至定位。

若要**取出**充電電池 (14), 請按壓解鎖按鈕 (12) 並同時將充電電池拔出電池盒 (9)。**不可以強行拉出充電電池。**

以一般電池驅動

建議使用鹼錳電池來驅動本測量工具。

一般電池先放入電池轉接器內。

- ▶ 電池轉接器僅能在指定的博世測量工具上使用, 不得搭配電動工具一起使用。

將電池轉接匣 (10) 推入電池盒 (9) 中, 即可裝入電池。請按照插圖所示, 將電池先嵌在密封端蓋 (13) 上後, 再放入匣套裡。請推移密封端蓋, 讓它覆蓋在匣套上, 直到可感覺到已卡上。



若要取出電池 (11)，請按壓密封端蓋 (13) 的解鎖按鈕 (12)，並將密封端蓋拔下。此時請注意：不可讓電池掉出來。此外，測量工具的電池盒 (9) 應保持朝上。取出電池。若要將內置的電池轉接匣 (10) 從電池盒中取出，請將手伸進電池轉接匣內，然後輕輕按壓側壁並同時將它從測量工具中拔出。

務必同時更換所有的電池。請使用同一製造廠商，容量相同的電池。

- ▶ **長時間不使用時，請將測量工具裡的電池取出。** 電池可能因長時間存放在測量工具中不使用而自行放電。

充電電量指示燈

充電電量指示燈 (2) 可告知充電電池或一般電池的目前電量：

LED	目前電量
持續亮起綠燈	100–75 %
持續亮起黃燈	75–35 %
持續亮起紅燈	35–10 %
未亮燈	– 充電電池損壞 – 電池耗盡

充電電池或一般電池快沒電時，雷射標線的亮度將逐漸降低。



充電電池如有受損或一般電池電力耗盡時，請立即汰換。

操作

操作機器

- ▶ **不可以讓濕氣滲入儀器中，也不可以讓陽光直接照射在儀器上。**
- ▶ **勿讓測量工具暴露於極端溫度或溫度劇烈變化的環境。** 例如請勿將它長時間放在車內。歷經較大溫度起伏時，請先讓測量工具回溫，而且一定要檢查精準度，確認後才能繼續進行測量 (參見「測量工具精準度檢查」，頁 34)。
如果儀器曝露在極端溫度下或溫差較大的環境中，會影響儀器的測量準確度。
- ▶ **測量工具須避免猛力碰撞或翻倒。** 測量工具遭受外力衝擊後，一律必須先檢查其精準度，確認後才能繼續使用 (參見「測量工具精準度檢查」，頁 34)。
- ▶ **若要搬運測量工具時，請先將它關閉。** 關機後擺動零件應要被鎖定，否則擺動零件可能因為強烈的震動而受損。

啟動/關閉

若要啟動測量工具，請將起停開關 (15) 推至「 On」(適用於使用擺動鎖進行測量) 或「 On」(適用於自動調平功能開啟之測量作業)。本測量工具開機後將隨即從射出口 (1) 發射一道雷射標線。

- ▶ **雷射光束不可以對準人或動物，操作人本身也不要直視光束，即使和光束相距甚遠也不可以做上述動作。**

若要關閉測量工具，請將電源開關 (15) 推至 Off 位置。關閉時，擺動零件即遭鎖定。

- ▶ **不可放任啟動的測量工具無人看管，使用完畢後請關閉測量工具電源。** 雷射可能會對旁人的眼睛產生眩光。

當操作溫度已超出最高允許值 40 °C 時，將自動關機以保護雷射二極體。待測量工具冷卻後又能再度操作時，您即可重新開機。

當測量工具的溫度接近最高允許操作溫度時，雷射標線的亮度將逐漸降低。

測量工具可防止極端的靜電放電 (ESD)。若測量工具帶有靜電 (例如在低濕度環境下觸摸)，工具會自動關閉。在這種情況下，請關閉並重新開啟起停開關 (15)。

停用儀器的自動關機功能

若持續約 120 分鐘未按壓測量工具上的任何按鈕，本測量工具將自動關機以維護充電電池的使用壽命。

若要在自動關機之後重新啟動測量工具，您可先將起停開關 (15) 推至「Off」接著再啟動測量工具，亦或者按一下雷射操作模式按鈕 (6) 或接收模式按鈕 (4)。

若要停用自動關機功能，請在測量工具處於啟動狀態時按住雷射操作模式按鈕 (6) 不放，維持 3 秒鐘。自動關機功能成功停用時，雷射光束將短暫閃爍以示確認。

若要啟用自動關機功能，請將測量工具關閉後再重新啟動即可。

關閉聲音訊號

啟動測量工具時，一律啟用聲音訊號。

若要停用或啟用聲音訊號，請同時按住雷射操作模式按鈕 (6) 及接收模式按鈕 (4) 不放，並維持至少 3 秒鐘。

不論是啟用或是停用聲音訊號，儀器都會發出三道短促的聲音訊號，以示確認。

操作模式

測量工具提供多種操作模式，供您隨時進行切換：

- 發射一個水平雷射平面、
- 發射一個垂直雷射平面、
- 發射兩個垂直雷射平面、
- 發射一個水平雷射平面以及兩個垂直雷射平面。

測量工具啟動後將發射出一個水平的雷射平面。若要切換操作模式，請按雷射操作模式按鈕 (6)。

所有操作模式皆可選擇是否要使用自動調平功能或擺動鎖。

接收模式

不論所選操作模式為何，如要使用雷射接收器 (25) 則必須啟用接收模式。

進入接收模式後，雷射標線會以極高頻率閃爍，以便雷射接收器 (25) 追蹤。


若要開啟接收模式，請按一下接收模式按鈕 (4)。接收模式指示燈 (5) 將亮綠燈。

接收模式開啟時，對人類肉眼而言，雷射標線能見度會變差。因此，不需使用雷射接收器時，請再按一次接收模式按鈕 (4) 以關閉接收模式。接收模式指示燈 (5) 隨即熄滅。

自動調平功能

使用自動調平功能進行測量

請將本測量工具放置在一個穩固的水平平面上，或將它固定在萬用托架 (21) 或三腳架 (28) 上。

針對使用自動調平功能的作業，請您將起停開關 (15) 推至「 On」位置。

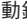
自動調平功能會在相差 $\pm 4^\circ$ 的自動調平範圍內自動調整。雷射標線靜止不動時，表示調平結束。

若無法使用自動調平功能，例如一旦測量工具的所在平面與水平面之間的差異達 4° 以上時，雷射標線將開始以快速節奏閃爍。聲音訊號功能啟用時，會發出短促的聲音訊號。

請將本測量工具架設在水平平面上，然後等待其自動調平。測量工具一進入 $\pm 4^\circ$ 的自動調平範圍時，雷射光束即再度持續亮起，聲音訊號也會隨之停止。

測量工具在運轉期間若有振動或移位，將重新進行調平。重新調平之後，請全面檢查水平或垂直雷射標線相對於基準點的位置，以免因測量工具移位而發生錯誤。

使用擺動鎖進行測量

若要使用擺動鎖進行測量，請您將起停開關 (15) 推至「 On」。擺動鎖指示器 (3) 將亮紅燈，且雷射標線會以緩慢節奏持續閃爍。

使用擺動鎖進行測量時，自動調平功能將關閉。您可以把測量工具拿在手上或是將它放置到合適的基座上操作。雷射標線不再進行調平，也不再強制性地彼此垂直。

透過「Bosch Levelling Remote App」進行遙控

本測量工具配備了藍牙® 模組，此模組可利用無線技術透過智慧手機的藍牙® 介面進行遠端操控。

若要使用此一功能，需要擁有以下應用程式：

「**Bosch Levelling Remote App**」。您可依照所使用的終端裝置到相關 App 商店中下載 (Apple App Store、Google Play Store)。

如需藍牙® 連線的最低系統需求相關資訊，請至博世網站：www.bosch-pt.com。

透過藍牙® 進行遠端操控時，如果收訊不良，則終端行動裝置與測量工具之間可能有時間遲滯的現象。

啟動藍牙®

若要啟動藍牙® 以便進行遙控，請按一下藍牙® 按鈕 (8)。請確認：終端行動裝置上的藍牙® 介面已啟用。

博世應用程式啟動之後，將為您在終端行動裝置與測量工具之間自動建立連線。萬一同時找到多個已

啟用的測量工具，請您選擇相符的那一個測量工具。如果只找到一個已啟用的測量工具，將自動執行建立連線。

藍牙® 指示燈 (7) 一亮起即代表已成功建立連線。

藍牙® 連線可能因為測量工具與終端行動裝置之間距離過遠或有障礙物，或者有電磁干擾源而中斷。發生這種狀況時，藍牙® 指示燈 (7) 將呈閃爍狀態。

關閉藍牙®

若要關閉藍牙® 遙控功能，請按一下藍牙® 按鈕 (8) 或將測量工具關閉。

測量工具精準度檢查

影響精度的因素

操作環境的溫度是最大的影響因素。尤其是由地面往上延伸的漸進式溫度差異可能會使雷射光束改變方向。

為了將由地面升高的熱度所產生的熱影響降至最低，建議在三腳架上使用測量工具。此外，請您將測量工具儘量架設在作業區的中央。

除了外在因素，發生偏差的原因亦可能來自機器本身 (例如機器曾翻倒或受到猛力撞擊)。因此，每次開始工作之前，請您先進行調平精準度檢查。

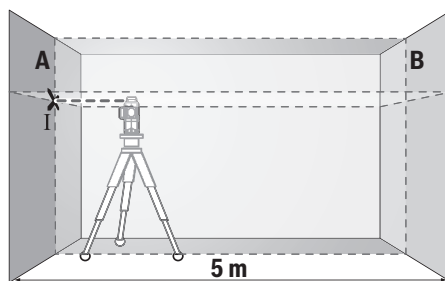
一律先檢查水平雷射標線的調平精準度，然後再檢查垂直雷射標線的調平精準度。

如果檢查時發現測量工具的偏差超過最大極限。必須把儀器交給 **Bosch** 顧客服務處修理。

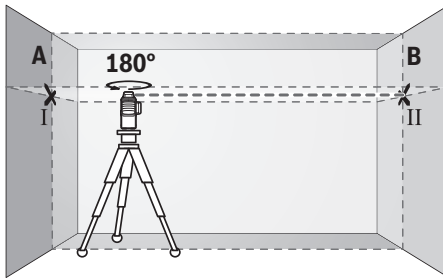
檢查橫軸的水平水準精度

針對這項檢查，您必須在兩面牆 A 和牆 B 之間找出一段無障礙物、長度 5 m 的測量距離。

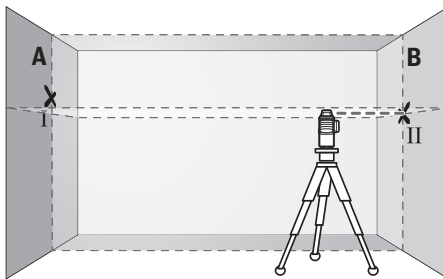
- 請將測量工具先安裝在三腳架上後，再架設到 A 牆附近的位置，或將測量工具放置在穩固的平坦基座上。請將測量工具開啟為使用自動調平功能。請您選擇一個操作模式，該模式要能在測量工具正前方發射一個水平雷射平面以及一個垂直雷射平面。



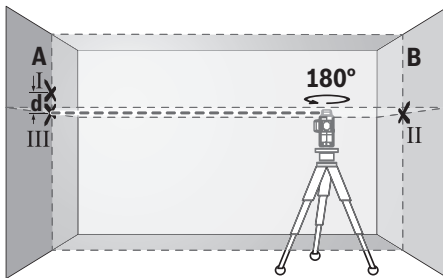
- 把雷射光束對準比較靠近的 A 牆並讓測量儀進行調平。標示出雷射標線在牆上之交叉點的中心位置 (I 點)。



- 將測量工具旋轉 180°，讓它進行調平，然後在對面的 B 牆上標出雷射標線的交叉點 (II 點)。
- 將測量工具 (不用旋轉) 移至靠近 B 牆附近，然後啟動電源，讓它進行調平。



- 調整測量工具的高度 (利用三腳架或者必要時可再墊高)，讓雷射標線的交叉點正好對準先前在 B 牆上標出的 II 點。



- 將測量工具旋轉 180°，但不用再改變其高度。這次要讓它對準那條通過 A 牆 I 點的垂直線。讓測量工具進行調平，接著再到 A 牆上標出雷射標線的交叉點 (III 點)。

- A 牆上標出的 I 與 III 兩點相差的高度 d 即是測量工具的實際高度偏差。

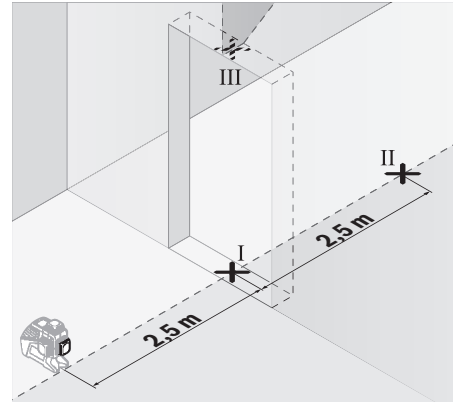
測量距離為 $2 \times 5 \text{ m} = 10 \text{ m}$ 時的最大容許偏差是： $10 \text{ m} \times \pm 0.2 \text{ mm/m} = \pm 2 \text{ mm}$ 。因此，I 和 II 兩點之間相差的距離 d 最多只能有 2 mm。

檢查垂直方向的雷射標線調平精度

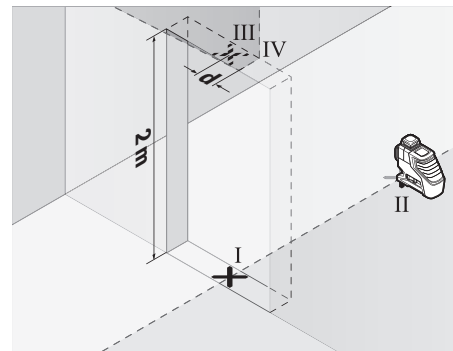
為進行此項檢查，您需要找出一處地面平坦穩固的門口，門的兩邊都至少有 2.5 m 的深度。

- 請將測量工具放置於穩固的平坦地面 (不是三腳架) 上，與門口距離 2.5 m。請將測量工具開啟為使用自動調平功能。請您選擇一個操作模式，

該模式要能在測量工具正前方發射一個垂直雷射平面。



- 請在門口地面上 (I 點)、在門口另一邊與目前位置相距 5 m 的位置上 (II 點) 以及門口上緣處 (III 點)，標出垂直雷射標線的中心點。



- 將測量工具旋轉 180°，並把它移至門口另一邊，正好放在 II 點後。讓測量工具進行調平，並調整垂直雷射標線的位置，讓它的中心點剛好同時通過 I 點及 II 點。

- 在門口上緣處標出雷射標線的中心點，此即為 IV 點。

- III 與 IV 兩點之間相差的距離 d 即是測量工具的實際垂直偏差。

- 測量門口的高度。

重複以上過程來檢查第二道垂直雷射面。其做法是：請您選擇一個操作模式，該模式要能在測量工具側邊發射一個垂直雷射平面，然後請您在開始測量程序之前先將測量工具旋轉 90°。

最大容許偏差的計算方式如下：

兩倍的門口高度 $\times 0.2 \text{ mm/m}$

舉例來說：如果門口高度為 2 m，則最大容許偏差為

$2 \times 2 \text{ m} \times \pm 0.2 \text{ mm/m} = \pm 0.8 \text{ mm}$ 。因此，III 及 IV 兩點最多可相差 0.8 mm。

作業注意事項

- ▶ **一律只能標示雷射標線中心點的位置。**雷射標線的寬度會隨著距離而改變。

使用雷射靶進行測量

雷射標靶 (24) 可增強雷射光束在不利條件下以及距離較長時的能見度。

雷射標靶 (24) 的平面具反射作用，它可增強雷射標線的能見度，另一半則是可透光，讓您從雷射標靶背面也能看清楚雷射標線。

使用三腳架 (配件) 進行測量

三腳架可為您提供一個可調整高度的穩固測量基座。請利用 1/4" 三腳架固定座 (16) 將測量工具安裝到三腳架 (28) 或一般市售相機三腳的螺紋孔上。若要將本產品固定在一般市售的土木用三腳架上，則請您使用 5/8" 三腳架固定座 (17)。利用三腳架的止付螺絲，將測量工具旋緊固定。

在啟動測量工具之前，先大略地調整好三腳架的位置。

利用萬用托架 (配件) 進行固定 (請參閱圖 B)

您可利用萬用托架 (21) 將本測量工具固定在例如垂直平面或磁性材料上。萬用托架也可以充當地面三腳架，它可以減輕調整測量工具高度的工作負擔。

- ▶ **當您將配件固定在表面時，手指請勿靠近磁性配件的背面。** 磁鐵的強力牽引力可能會夾住手指。

在啟動測量工具之前，先大略調整好萬用托架 (21) 的位置。

使用雷射接收器 (配件) 進行測量 (請參閱圖 B)

在不利照明條件之下 (周圍環境明亮、陽光直射) 且距離又較遠時，為能更容易捕捉雷射標線，請使用雷射接收器 (25)。進行測量時若有使用雷射接收器，請開啟接收模式 (參見「接收模式」，頁 33)。

雷射視鏡 (配件)

雷射視鏡可過濾掉周圍環境的光線。因此，您的眼睛看到雷射光時會覺得較亮。

- ▶ **請勿將雷射眼鏡當作護目鏡 (配件) 使用。** 雷射眼鏡是用來讓您看清楚雷射光束；但它對於雷射光照射並沒有保護作用。

- ▶ **請勿將雷射眼鏡當作護目鏡 (配件) 使用，或在道路上行進間使用。** 雷射眼鏡無法完全阻隔紫外線，而且還會降低您對於色差的感知能力。

操作範例 (請參閱圖 A-F)

有關測量工具的使用範例請參考說插圖說明。

維修和服務

維修和清潔

測量儀器必須隨時保持清潔。

不可以把儀器放入水或其它的液體中。

使用柔軟濕布擦除儀器上的污垢。切勿使用清潔劑或溶液。

務必定期清潔雷射出口，清潔時出口不可殘留毛絮。

儲放和搬運測量工具時，一定要將它放置在保護套袋 (27) 或提箱 (30) 內。

如需送修，請將測量工具放入保護套袋 (27) 或提箱 (30) 內。

顧客服務處和顧客諮詢中心

本公司顧客服務處負責回答有關本公司產品的維修、維護和備用零件的問題。以下的網頁中有分解圖和備用零件相關資料：www.bosch-pt.com

如果對本公司產品及其配件有任何疑問，博世應用諮詢小組很樂意為您提供協助。

當您需要諮詢或訂購備用零件時，請務必提供本產品型號銘牌上 10 位數的產品機號。

台灣

台灣羅伯特博世股份有限公司

建國北路一段90號6樓

台北市10491

電話: (02) 7734 2588

傳真: (02) 2516 1176

www.bosch-pt.com.tw

制造商地址:

Robert Bosch Power Tools GmbH

羅伯特·博世電動工具有限公司

70538 Stuttgart / GERMANY

70538 斯圖加特/德國

以下更多客戶服務處地址：

www.bosch-pt.com/serviceaddresses

搬運

建議使用的鋰離子充電電池受危險物品法的規範。使用者無須另外使用保護包裝便可運送該充電電池。

但是如果將它交由第三者運送 (例如：寄空運或委託運輸公司)，則應遵照包裝與標示的相關要求。此時必須向危險物品專家請教有關寄送危險物品的相關事宜。

確定充電電池的外殼未受損後，才可以寄送充電電池。用膠帶貼住裸露的接點並妥善包裝充電電池，不可以讓充電電池在包裝材料中晃動。同時也應留意各國相關法規。

廢棄物處理



測量工具、充電電池/拋棄式電池、配件以及包裝材料須遵照環保相關法規進行資源回收。



不得將本測量工具與充電電池/拋棄式電池丟入家庭垃圾中！

充電電池/一般電池：

鋰離子：

請注意「搬運」段落中的指示 (參見「搬運」，頁 36)。

有關台灣的更多資訊

NCC 警語

低功率電波輻射性電機管理辦法

第十二條經型式認證合格之低功率射頻電機，非經許可，公司，商號或使用者均不得擅自變更頻率，加大功率或變更原設計之特性及功能。

第十四條低功率射頻電機之使用不得影響飛航安全及干擾合法通信；經發現有干擾現象時，應立即停用，並改善至無干擾時方得繼續使用。

前項合法通信，指依電信規定作業之無線電通信。

低功率射頻電機須忍受合法通信或工業，科學及醫療用電波輻射性電機設備之干擾。

한국어

안전 수칙



측정공구의 안전한 사용을 위해 모든 수칙들을 숙지하고 이에 유의하여 작업하시기 바랍니다. 측정공구를 해당 지침에 따라 사용하지 않으면, 측정공구에 내장되어 있는 안전장치에 안 좋은 영향을 미칠 수 있습니다. 측정공구의 경고판을 절대로 가려서는 안 됩니다. 안전 수칙을 잘 보관하고 공구 양도 시 측정공구와 함께 전달하십시오.

- ▶ 주의 - 여기에 제시된 조작 장치 또는 조정 장치 외의 용도로 사용하거나 다른 방식으로 작업을 진행하는 경우, 광선으로 인해 폭발될 위험이 있습니다.
- ▶ 본 측정공구는 레이저 경고 스티커가 함께 공급됩니다(그림에 측정공구의 주요 명칭 표시).
- ▶ 처음 사용하기 전에 함께 공급되는 한국어로 된 레이저 경고 스티커를 독문 경고판 위에 붙이십시오.



사람이나 동물에게 레이저 광선을 비추거나, 광선을 직접 또는 반사시켜 보지 마십시오. 이로 인해 눈이 부시게 만들거나 사고를 유발하거나 눈에 손상을 입을 수 있습니다.

- ▶ 눈으로 레이저 광선을 쳐다본 경우, 의식적으로 눈을 감고 곧바로 고개를 돌려 광선을 피하십시오.
- ▶ 레이저 장치를 개조하지 마십시오.
- ▶ 레이저 보안경(액세서리)을 일반 보안경으로 사용하지 마십시오. 레이저 보안경은 레이저 광선을 보다 잘 감지하지만, 그렇다고 해서 레이저 광선으로부터 보호해주는 것은 아닙니다.
- ▶ 레이저 보안경(액세서리)을 선글라스 용도 또는 도로에서 사용하지 마십시오. 레이저 보안경은 자외선을 완벽하게 차단하지 못하며, 색상 분별력을 떨어뜨립니다.
- ▶ 측정공구의 수리는 해당 자격을 갖춘 전문 인력에게 맡기고, 수리 정비 시 순정 부품만 사용하십시오.

시오. 이 경우에만 측정공구의 안전성을 오래 유지할 수 있습니다.

- ▶ 어린이가 무감독 상태로 레이저 측정공구를 사용하는 일이 없도록 하십시오. 의도치 않게 타인 또는 자신의 눈이 부시게 할 수 있습니다.
- ▶ 가연성 유체나 가스 혹은 분진 등 폭발 위험이 있는 곳에서 측정공구를 사용하지 마십시오. 측정공구에 분진이나 증기를 접화하는 스파크가 생길 수 있습니다.
- ▶ 배터리를 분해하지 마십시오. 단락이 발생할 위험이 있습니다.
- ▶ 배터리가 손상되었거나 잘못 사용될 경우 증기가 발생할 수 있습니다. 배터리에서 화재가 발생하거나 폭발할 수 있습니다. 작업장을 환기시키고, 필요한 경우 의사와 상담하십시오. 증기로 인해 호흡기가 자극될 수 있습니다.
- ▶ 배터리를 잘못 사용거나 배터리가 손상된 경우, 배터리에서 가연성 유체가 흘러나올 수 있습니다. 누수가 생긴 배터리에 닿지 않도록 하십시오. 피부에 접하게 되었을 경우 즉시 물로 씻으십시오. 유체가 눈에 닿았을 경우 바로 의사와 상담하십시오. 배터리에서 나오는 유체는 피부에 자극을 주거나 화상을 입힐 수 있습니다.
- ▶ 못이나 스크류 드라이버 같은 뾰족한 물체 또는 외부에서 오는 충격 등으로 인해 축전지가 손상될 수 있습니다. 내부 단락이 발생하여 배터리가 타거나 연기가 발생하고, 폭발 또는 과열될 수 있습니다.
- ▶ 배터리를 사용하지 않을 때는 각 극 사이에 브리징 상태가 생길 수 있으므로 페이퍼 클립, 동전, 열쇠, 못, 나사 등 유사한 금속성 물체와 멀리하여 보관하십시오. 배터리 극 사이에 쇼트가 일어나 화상을 입거나 화재를 야기할 수 있습니다.
- ▶ 제조사의 배터리 제품만 사용하십시오. 그레야만 배터리 과부하의 위험을 방지할 수 있습니다.
- ▶ 배터리는 제조사에서 권장하는 충전기에만 충전하십시오. 특정 제품의 배터리를 위하여 제조된 충전기에 적합하지 않은 다른 배터리를 충전할 경우 화재 위험이 있습니다.



배터리를 태양 광선 등 고열에 장시간 노출되지 않도록 하고 불과 오염물질, 물, 수분이 있는 곳에 두지 마십시오. 폭발 및 단락의 위험이 있습니다.



- ▶ 측정공구에서 각종 작업(예: 설치, 유지보수 작업 등)을 하기 전이나, 측정공구를 운반하거나 보관하기 전에 반드시 충전용 배터리 또는 배터리를 측정공구로부터 분리하십시오. 실수로 전원 스위치가 작동하게 되면 부상을 입을 위험이 있습니다.
- ▶ 측정공구 작동 시 일정한 조건이 되면 신호음이 크게 울립니다. 그러므로 측정공구가 귀 또는 다른 사람 가까이에서 위치하지 않도록 거리를 멀리 유지하십시오. 큰 신호음으로 인해 청력에 손상을 입을 수 있습니다.



측정공구 및 자성 액세스리를 심장 박동 조절장치 또는 인슐린 펌프와 같은 삽입물 및 기타 의학 기기 근처로 가져오지 마십시오. 측정공구 및 액세스리의 자석으로 인해 자기장이 형성되어 삽입물 및 의학 기기의 기능에 장애를 일으킬 수 있습니다.

- ▶ 측정공구와 자성 액세스리를 자기 데이터 매체나 자력에 예민한 기기에서 멀리 두십시오. 측정공구 및 액세스리의 자석으로 인해 데이터가 손실되어 복구되지 않을 수 있습니다.
- ▶ 해당 무선설비는 전파혼신 가능성이 있으므로 인명안전과 관련된 서비스는 할 수 없습니다.
- ▶ 측정공구에는 무선 인터페이스가 장착되어 있습니다. 비행기나 병원 등 장소에 따른 제약에 주의하십시오.

블루투스® 위드마크와 그림(로고)은 Bluetooth SIG, Inc.의 등록상표입니다. Robert Bosch Power Tools GmbH는 허가를 받아 이를 사용하고 있습니다.

- ▶ 주의! 측정공구의 블루투스® 사용은 다른 기기나 설비, 비행기 및 의료기기(예: 심박 조절기, 보청기) 등에 장애를 가져올 수 있습니다. 마찬가지로 근처에 있는 동물이나 사람에게도 좋지 않은 영향을 미칠 수 있습니다. 측정공구의 블루투스® 사용은 의료 기기, 주유소, 화학설비 및 폭발 위험이 있는 주변에서는 삼가하십시오. 비행기에서 측정공구의 블루투스® 사용은 삼가하십시오. 오랜 시간 신체에 직접 접촉하여 작동하는 것을 삼가하십시오.

제품 및 성능 설명

사용 설명서 앞 부분에 제시된 그림을 확인하십시오.

규정에 따른 사용

본 측정공구는 수평 및 수직 라인을 측정 및 점검하기 위한 용도로 사용됩니다.

측정공구는 실내 및 실외에서 모두 사용할 수 있습니다.

제품의 주요 명칭

제품의 주요 명칭에 표기되어 있는 번호는 측정공구의 그림이 나와있는 면을 참고하십시오.

제품 사양

라인 레이저	GLL 3-80 CG
품번	3 601 K63 U..
작업 범위(반경) ^{A)}	
- 표준	30 m
- 수신기 모드	25 m
- 레이저 수광기 장착	5-120 m
레벨링 정확도 ^{B)C)D)}	±0.2 mm/m
자동 레벨링 범위	±4°

- (1) 레이저빔 발사구
- (2) 충전용 배터리/배터리 충전 상태
- (3) 펜돌럼 고정 표시기
- (4) 수광기 모드 버튼
- (5) 수광기 모드 디스플레이
- (6) 레이저 작동 모드 버튼
- (7) 블루투스® 연결 표시기
- (8) 블루투스® 버튼
- (9) 배터리 슬롯
- (10) 배터리 어댑터 캡^{a)}
- (11) 배터리^{a)}
- (12) 충전용 배터리/배터리 어댑터 잠금해제 버튼^{a)}

- (13) 배터리 어댑터 쉘링캡^{a)}
- (14) 충전용 배터리^{a)}
- (15) 전원 스위치
- (16) 삼각대 연결 부위 1/4"
- (17) 삼각대 연결 부위 5/8"
- (18) 릴런 번호
- (19) 레이저 경고판
- (20) 자석^{a)}
- (21) 유니버설 홀더^{a)}
- (22) 회전대^{a)}
- (23) 리모컨^{a)}
- (24) 레이저 표적판^{a)}
- (25) 레이저 수광기^{a)}
- (26) 레이저용 안경^{a)}
- (27) 보호 가방^{a)}
- (28) 삼각대^{a)}
- (29) 텔레스코픽 막대^{a)}
- (30) 케이스^{a)}
- (31) 인서트^{a)}

a) 도면이나 설명서에 나와있는 액세스리는 표준 공급부품에 속하지 않습니다. 전체 액세스리는 저희 액세스리 프로그램을 참고하십시오.

라인 레이저	GLL 3-80 CG
레벨링 시간	< 4 s
기준 높이를 초과한 최대 사용 높이	2000 m
상대 습도 최대	90 %
IEC 61010-1에 따른 오염도	2 ^{EI}
레이저 등급	2
레이저 유형	500–540 nm, < 10 mW
C ₆	10
레이저 라인 분기점	50 × 10 mrad (전체 각도)
최단 펄스 지속기간	1/10000 s
펄스 주파수	
- 수광기 모드 미작동	13 kHz
- 수광기 모드 작동	10 kHz
호환 가능한 레이저 수광기	LR7
삼각대 홀더	1/4", 5/8"
측정공구 전원 공급	
- 충전용 배터리(리튬 이온)	10.8 V/12 V
- 배터리(알칼리 망간)	4 × 1.5 VLR6 (AA)(배터리 어댑터 포함)
3개 레이저면을 이용한 작동 시간 ^{F)}	
- 충전용 배터리 사용 시	6 h
- 배터리 사용 시	4 h
블루투스® 측정공구	
- 호환성	블루투스® 4.0 (Low Energy) ^{G)}
- 최대 신호 범위	30 m ^{H)}
- 작동 주파수 범위	2402–2480 MHz
- 최대 송신 출력	< 1 mW
블루투스® 스마트폰	
- 호환성	블루투스® 4.0 (Low Energy) ^{G)}
- 운영체제	Android 6 (및 그 이상의 버전) iOS 11 (및 그 이상의 버전)
EPTA-Procedure 01:2014에 따른 중량	
- 충전용 배터리 사용 시	0.90 kg
- 배터리 사용 시	0.86 kg
치수(길이 × 폭 × 높이)	162 × 84 × 148 mm
보호 등급 ^{I)}	IP 54 (먼지 및 분무수 침투 방지)
충전 시 권장되는 주변 온도	0 °C ... +35 °C
작동 시 허용되는 주변 온도	-10 °C ... +40 °C
보관 시 허용되는 주변 온도	-20 °C ... +70 °C
권장하는 충전용 배터리	GBA 10,8V... GBA 12V... (GBA 12V ≥ 4.0 Ah 제외)

- A) 직사광선 등의 불리한 환경 조건에서는 작업 범위가 줄어들 수 있습니다.
 - B) 20–25 °C일 경우
 - C) 4개의 수평 교차점에서 적용됩니다.
 - D) 제시된 값은 일반적인 조건 및 (예를 들어 진동, 안개, 연기, 직사광선이 발생하지 않는) 좋은 조건이 전제됩니다. 온도 편차가 심하면 정확도에 차이가 있을 수 있습니다.
 - E) 비전도성 오염만 발생하지만, 가끔씩 이슬이 맺히면 임시로 전도성이 생기기도 합니다.
 - F) 블루투스® 작동 시 그리고/또는 RM 3에 연결하여 사용하는 경우 작동 시간이 짧아집니다.
 - G) 블루투스® 저 에너지 기기의 경우, 모델과 작동 시스템에 따라 연결 구성이 불가능할 수 있습니다. 블루투스® 기기가 SPP 프로파일을 지원해야 합니다.
 - H) 도달 범위는 사용하는 수신기를 비롯한 외부 조건에 따라 큰 차이가 있을 수 있습니다. 폐쇄된 공간에서 사용하거나 급속 장애물(예: 벽, 선반, 케이스 등)을 통과하는 경우 블루투스® 도달 범위가 현저하게 줄어들 수 있습니다.
 - I) 리튬이온 배터리 및 배터리 어댑터 AA1은 IP54 등급에 해당되지 않습니다.
- 측정공구를 확실하게 구분할 수 있도록 타입 표시판에 일련 번호 (18)가 적혀 있습니다.

조립

측정공구 전원 공급

이 측정공구는 일반 배터리를 사용하거나 보쉬사의 리튬 이온-충전용 배터리를 사용할 수 있습니다.

충전용 배터리를 사용한 작동

- ▶ 기술자료에 기재되어 있는 충전기만 사용하십시오. 측정공구에 사용된 리튬이온 배터리에는 이 충전기만 사용할 수 있습니다.

지침: 리튬 이온 배터리는 국제 운송 규정에 따라 일부만 충전되에 출고됩니다. 배터리의 성능을 완전하게 보장하기 위해서는 처음 사용하기 전에 배터리를 완전히 충전하십시오.

충전된 충전용 배터리 (14)를 배터리 슬롯 (9)에 삽입하려면 배터리가 맞물리는 소리가 들릴 때까지 배터리를 밀어 넣으십시오.

충전용 배터리 (14)를 분리하려면 잠금해제 버튼 (12)을 누르고 배터리 슬롯 (9)에서 충전용 배터리를 빼내십시오. 무리하게 힘을 가하지 마십시오.

배터리를 사용한 작동

측정공구 작동에는 알칼리 망간 배터리를 사용할 것을 권장합니다.

배터리를 배터리 어댑터에 삽입합니다.

- ▶ 본 배터리 어댑터는 보쉬 측정공구용으로만 사용되도록 고안되었으며, 전동공구와 함께 사용해서는 안 됩니다.

배터리를 삽입하려면 배터리 어댑터 캡 (10)을 충전용 배터리 슬롯 (9)으로 미십시오. 쉘링캡 (13)에 제시된 그림에 따라 배터리를 캡에 삽입하십시오. 캡이 맞물려 끼워지는 느낌이 들도록 쉘링캡을 캡 위로 미십시오.

배터리 (11)를 분리하려면 쉘링캡 (13)의 잠금해제 버튼 (12)을 누르고 쉘링캡을 빼내십시오. 이때 배터리가 빠지지 않도록 주의하십시오. 측정공구를 충전용 배터리 슬롯 (9)이 위쪽을 향하도록 두십시오. 배터리를 탈착합니다. 안쪽에 있는 캡 (10)을 배터리 슬롯에서 뺄 때



는 캡을 잡고 약간 눌러서 측정공구 옆으로 빼냅니다.

모든 배터리는 항상 동시에 교체하십시오. 한 제조사의 용량이 동일한 배터리로만 사용하십시오.

- ▶ 오랜 기간 사용하지 않을 경우 측정공구의 배터리를 빼두십시오. 배터리를 측정공구에 오래 두면 부식되고 방전될 수 있습니다.

충전상태 표시판

충전상태 표시기 (2)는 배터리 또는 충전용 배터리의 충전 상태를 보여줍니다.

LED	충전 상태
연속등, 녹색	100–75 %
연속등, 황색	75–35 %
연속등, 적색	35–10 %
조명 없음	- 배터리가 고장입니다 - 배터리가 방전됨

충전용 배터리 및 배터리의 잔량이 얼마 남지 않을 경우, 레이저빔의 밝기가 서서히 어두워집니다. 결함이 있는 충전용 배터리 또는 방전된 배터리는 즉시 교체하십시오.

작동

기계 시동

- ▶ 측정공구가 물에 젖거나 직사광선에 노출되지 않도록 하십시오.

- ▶ 극한의 온도 또는 온도 변화가 심한 환경에 측정공구를 노출시키지 마십시오. 예를 들어 장시간 차량 안에 측정공구를 두지 마십시오. 온도 편차가 심한 경우 계속 작동하기 전에 먼저 측정공구가 온도에 적응할 수 있게 하고 항상 정확도를 점검하십시오 (참조 „측정공구의 정확도 점검“, 페이지 42).
- 극한 온도에서나 온도 변화가 심한 환경에서 사용하면 측정공구의 정확도가 떨어질 수 있습니다.

▶ **측정공구가 외부와 세계 부딪히거나 떨어지지 않도록 주의하십시오.** 측정공구에 외부 영향이 심하게 가해진 후에는 계속 작업하기 전에 항상 정확도를 점검해야 합니다 (참조 „측정공구의 정확도 점검“, 페이지 42).

▶ **측정공구를 운반할 때는 측정공구의 전원을 끄십시오.** 스위치가 꺼진 상태에서는 레벨링 장치가 잠겨 있어 심한 움직임에 손상될 염려가 없습니다.

전원 스위치 작동

측정공구의 전원을 켜려면 전원 스위치 (15) 를 "On" (펜들럼 고정 기능 사용) 또는 "On" (자동 레벨링 기능 사용) 위치까지 밀어주십시오. 측정공구의 전원을 켜면 즉시 레이저빔 발사구 (1) 에서 바로 레이저빔이 발사됩니다.

▶ **레이저빔이 사람이나 동물에 향하지 않도록 하고, 먼 거리에서라도 레이저빔 안을 들여다 보지 마십시오.**

측정공구의 전원을 끄려면 전원 스위치 (15) 를 Off 위치로 미십시오. 꺼질 때 셔플장치가 로크됩니다.

▶ **측정공구가 켜져 있는 상태에서 자리를 비우지 말고, 사용 후에는 측정공구의 스위치를 끄십시오.** 레이저빔으로 인해 다른 사람의 눈이 부실 수 있습니다.

허용되는 최고 작동 온도 40 °C를 초과하면 레이저 다이오드 보호를 위해 전원이 꺼집니다. 냉각 후 측정공구가 작동 준비 상태로 전환되면 다시 전원을 켤 수 있습니다.

측정공구에 허용되는 최고 작동 온도에 가까워질수록, 레이저빔의 밝기가 서서히 어두워집니다.

본 측정공구는 정전 방전(ESD) 방지 기능이 탑재되어 있습니다. 측정공구가 (습도가 낮은 환경에서 접촉 등으로 인해) 정전기로 충전되면, 공구의 전원이 자동으로 꺼집니다. 이 경우 전원 스위치 (15) 를 켜다가 다시 켜십시오.

자동 꺼짐 기능 해제하기

약 120 분 동안 측정공구에서 작동되는 버튼이 아무 것도 없으면, 충전용 배터리 또는 배터리 절약을 위해 측정공구가 자동으로 꺼집니다.

자동으로 꺼진 측정공구를 다시 작동하려면 전원 스위치 (15) 를 "Off" 위치로 밀었다가 측정공구의 전원을 다시 켜거나, 작동 모드 버튼 (6) 또는 수신기 모드 버튼 (4) 을 한번 누르면 됩니다.

자동 꺼짐 기능을 해제하려면, (측정공구가 켜진 상태에서) 작동 모드 버튼 (6) 을 3초 이상 누르십시오. 자동 꺼짐 기능이 해제되면 이를 표시하기 위해 레이저빔이 잠시 깜박입니다.

자동 꺼짐 기능을 작동하려면 측정공구를 켜다가 다시 켜십시오.

신호음 기능 해제하기

측정공구의 스위치를 켜면 항상 신호음 기능이 작동합니다.

신호음 기능을 해제하거나 작동하려면 작동 모드 버튼 (6) 과 수신기 모드 버튼 (4) 을 동시에 3초 이상 누르면 됩니다.

이 기능의 작동과 해제를 확인하는 의미에서 신호음이 세 번 짧게 울립니다.

작동 모드

측정공구에는 여러 작동 모드가 있으며 모드 간에 수시로 변경이 가능합니다:

- 수평 레이저면 발사,
- 수직 레이저면 발사,
- 두 개의 수직 레이저면 발사,
- 수평 레이저면 및 두 개의 수직 레이저면 발사.

측정공구의 전원을 켜면 수평 모드로 설정되어 있습니다. 작동 모드를 변경하려면 작동 모드 버튼 (6) 을 누르십시오.

모든 작동 모드는 자동 레벨링 및 펜들럼 고정 기능을 함께 선택할 수 있습니다.

수신기 모드

레이저 수신기 (25) 를 이용하여 작업할 경우 - 선택한 작동 모드와 관계 없이 - 수신기 모드를 활성화해야 합니다.

수신기 모드에서 레이저 라인이 매우 빠른 빈도수로 깜박이게 되고, 이를 통해 레이저 수신기 (25) 에 감지됩니다.

수신기 모드를 켜려면 수신기 모드 버튼 (4) 을 누르십시오. 수신기 모드 표시기 (5) 가 녹색으로 점등됩니다.

수신기 모드를 켜면 사람 눈에 보이는 레이저 라인의 가시성은 떨어집니다. 따라서 레이저 수신기 없이 작업할 때에는 다시 수신기 모드 버튼 (4) 을 눌러 수신기 모드를 꺼야 합니다. 수신기 모드 표시기 (5) 가 꺼집니다.

자동 레벨링 기능

자동 레벨링 기능을 이용해 작업하기

측정공구를 수평의 고정된 받침 위에 놓거나 유니버설 홀더 (21) 또는 삼각대 (28) 위에 고정하십시오. 자동 레벨링 기능을 이용하여 작업하려면 전원 스위치 (15) 를 "On" 위치로 밀어줍니다.

자동 레벨링 기능을 통해 셀프 레벨링 범위 ±4° 내 평평하지 않은 부분이 정도 자동으로 균형이 맞춰집니다. 레이저 라인이 더이상 움직이지 않으면 레벨링 작업이 종료됩니다.

측정공구가 위치한 바닥면이 4° 이상 경사져 있어서 자동 레벨링이 불가능하면 레이저 라인이 빠른 속도로 깜박이기 시작합니다. 신호음 기능이 켜진 상태라면, 빠른 속도로 신호음이 울립니다.

측정공구를 수평으로 세우고 셀프 레벨링될 때까지 기다리십시오. 측정공구가 셀프 레벨링 범위 ±4° 안에 들어오는 즉시 레이저빔은 지속적으로 불이 들어오고 신호음이 꺼집니다.

작동하는 동안 흔들리거나 위치가 변경되는 경우 측정공구는 자동으로 다시 레벨링됩니다. 다시 레벨링된 후 기준점에 맞춰 수평 또는 수직 레이저 라인의 위치를 점검하여 측정공구의 위치를 옮겨 오류를 방지합니다.

펜들럼 고정 기능을 이용해 작업하기

펜들럼 고정 기능을 이용하여 작업하려면 전원 스위치 (15) 를 "On" 위치로 밀어줍니다. 펜들럼 고정 기능 표시기 (3) 에 적색이 점등되면 레이저 라인이 계속해서 천천히 깜박입니다.

펜들럼 고정 기능을 이용한 작업 시 자동 레벨링 기능이 꺼져 있습니다. 측정공구를 손에 들고 있거나 경사진 바닥에 놓아도 됩니다. 레이저 라인이 더 이상 레벨링되지 않으며, 반드시 직각으로 만나지 않습니다.

"Bosch Levelling Remote App"을 통한 원격 제어

본 측정공구는 블루투스® 모듈이 장착되어 있으며, 이 모듈은 블루투스® 인터페이스가 있는 스마트폰을 통해 무선 기술을 이용한 원격 제어가 가능합니다.

이 기능을 사용하기 위해서는 애플리케이션(앱) "Bosch Levelling Remote App"이 필요합니다. 이 앱은 모바일 단말기별로 해당 앱 스토어(애플 앱스토어, 구글 플레이 스토어)에서 다운로드 받을 수 있습니다.

블루투스® 연결에 필요한 시스템 전제조건에 관한 정보는 보쉬 인터넷 사이트 www.bosch-pt.com에서 확인할 수 있습니다.

블루투스®를 이용하여 원격 제어할 경우 수신 조건이 좋지 않아 모바일 단말기와 측정공구 간에 시간 지연이 있을 수 있습니다.

블루투스® 켜기

원격 제어를 위해 블루투스®를 켜려면, 블루투스® 버튼 (8) 을 누르십시오. 모바일 단말기에 있는 블루투스® 인터페이스가 활성화되었는지 확인하십시오.

보쉬 애플리케이션을 시작하면 모바일 단말기와 측정공구가 연결됩니다. 활성화된 여러 개의 측정공구 중에 적합한 것을 고르십시오. 활성화된 측정공구가 하나만 발견되면, 자동으로 연결 구성이 이뤄집니다.

연결되면 블루투스® 표시기 (7) 가 점등됩니다. 거리가 너무 멀거나 또는 측정공구와 모바일 단말기 사이에 장애물이 있는 경우 및 전자기 간섭으로 인해 블루투스® 연결이 중단될 수 있습니다. 이러한 경우에는 블루투스® 표시기 (7) 가 깜박입니다.

블루투스® 끄기

원격 제어용 블루투스®를 끄려면, 블루투스® 버튼 (8) 을 누르거나 측정공구의 전원을 끄십시오.

측정공구의 정확도 점검

정확도에 미치는 영향

가장 큰 영향을 미치는 것은 주위 온도입니다. 특히 바닥에서 위로 가면서 달라지는 온도로 인해 레이저 빔이 굴절될 수 있습니다.

바닥에서 올라오는 열로 인한 영향을 최소화할 수 있도록, 측정공구를 삼각대에 올려 사용하기를 권장합니다. 또한 가능하면 측정공구를 작업 표면의 중심에 세우십시오.

외부 요인 외에도 장비에 따른 요인(예: 전복 또는 충격의 강도)에 따라 차이가 있을 수 있습니다. 따라서 작업을 시작하기 전마다 레벨링 정확도를 점검하십시오.

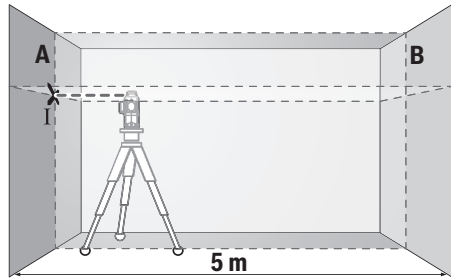
수평 레이저 라인의 레벨링 정확도를 우선적으로 점검한 후 수직 레이저 라인의 레벨링 정확도를 각각 점검하십시오.

점검 시 측정공구가 한번이라도 최대 편차를 초과할 경우 Bosch 서비스 센터에 맡겨 수리하십시오.

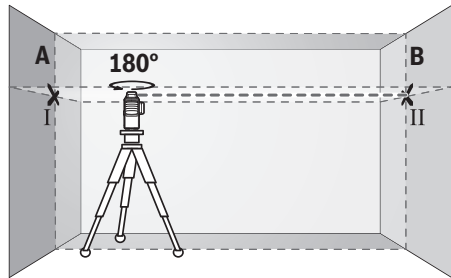
가로축의 수평 레벨링 정확도 테스트하기

이 테스트를 하려면 벽 A와 B 사이에 단단한 바닥이 있는 5 m 구간의 빈 공간이 필요합니다.

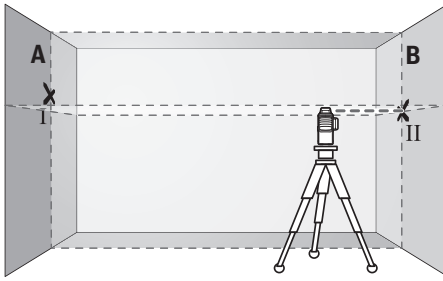
- 측정공구를 벽 A 근처의 삼각대 또는 고정된 평평한 바닥면에 세웁니다. 측정공구를 자동 레벨링 기능을 사용하는 작동 상태로 켜십시오. 측정공구 정면으로 수평 레이저면 및 수직 레이저면이 발사되는 작동 모드를 선택하십시오.



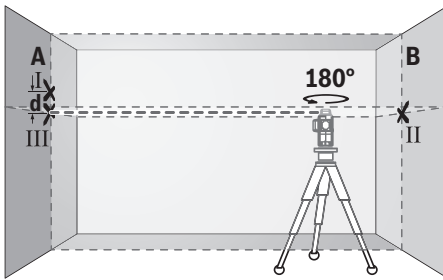
- 레이저를 가까이 있는 벽 A에 향하게 하고 측정공구를 레벨링하도록 하십시오. 레이저 라인이 벽면에서 교차되는 지점 중간을 표시하십시오(지점 I).



- 측정공구를 180° 돌려 레벨링한 후 레이저 라인의 교차 지점을 마주보는 벽 B (지점 II)에 표시하십시오.
- 측정공구를 돌릴 필요 없이 벽 B 근처에 두고, 전원을 켜 후 레벨링을 진행하십시오.



- 측정공구를 (삼각대 혹은 상황에 따라 받침대를 이용해) 레이저 라인의 교차점이 정확히 이전에 벽 B에 표시한 지점 II에 오도록 높이를 맞춰 정렬하십시오.



- 높이를 변경할 필요 없이 측정공구를 180° 회전 시킵니다. 벽 A에 향하게 하고, 수직 레이저 라인이 이미 표시된 지점 I을 관통하도록 정렬하십시오. 측정공구를 레벨링한 후 벽 A(지점 III)에서 레이저 라인의 교차점을 표시하십시오.

- 벽 A에 표시된 두 지점 I 및 III의 간격 **d**로 인해 실제 측정공구의 높이 편차가 생깁니다.

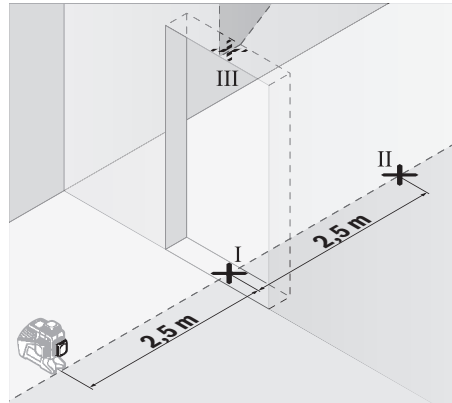
측정구간 $2 \times 5 \text{ m} = 10 \text{ m}$ 에서 최대 허용 편차는 다음과 같습니다.

$10 \text{ m} \times \pm 0.2 \text{ mm/m} = \pm 2 \text{ mm}$. 지점 I과 II 사이의 간격 **d**는 최대 2 mm입니다.

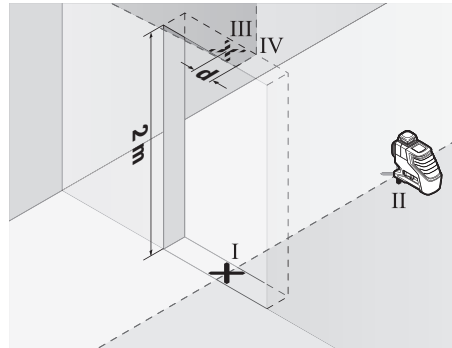
수직 라인의 레벨링 정확도 확인하기

이 테스트를 진행하려면 (단단한 바닥에) 문의 양쪽으로 최소한 2.5 m의 공간이 필요합니다.

- 측정공구를 문 입구에서 2.5 m 떨어진 지점의 평평하고 단단한 바닥에 세우십시오(삼각대에 세우지 않음). 측정공구를 자동 레벨링 기능을 사용하는 작동 상태로 켜십시오. 측정공구 정면으로 수직 레이저면이 발사되는 작동 모드를 선택하십시오.



- 다른 측면의 출입구(지점 II)와 출입구 상단 가장자리(지점 III)에서 5 m 떨어진 곳에서 출입구(지점 I)의 바닥에 수직 레이저 라인의 중심점을 표시하십시오.



- 측정공구를 180° 돌려 지점 II 바로 뒤에 있는 출입구의 다른 측면에 세워주십시오. 측정공구를 레벨링한 후 수직 레이저 라인의 중심이 지점 I 및 II를 지나도록 정렬하십시오.

- 출입구 상단 가장자리의 레이저 라인의 중심점을 지점 IV로 표시하십시오.

- 두 지점 III 및 IV의 간격 **d**로 인해 실제 측정공구의 직각 편차가 생깁니다.

- 출입구의 높이를 측정하십시오.

두 번째 수직 레이저면을 위해 측정을 반복하십시오. 이를 위해 측정공구 측면으로 수직 레이저면이 발사되는 작동 모드를 선택하고, 측정을 시작하기 전에 측정공구를 90° 돌리십시오.

최대 허용 편차는 다음과 같이 계산합니다:

문 입구 높이 두배 $\times 0.2 \text{ mm/m}$

예: 출입구 높이가 2 m의 경우 최대 편차

$2 \times 2 \text{ m} \times \pm 0.2 \text{ mm/m} = \pm 0.8 \text{ mm}$ 입니다. 따라서 지점 III 및 IV는 최대 0.8 mm를 벗어날 수 없습니다.

사용 방법

- ▶ 레이저 라인 중심점은 표시 용도로만 사용하십시오. 레이저 라인의 폭은 거리에 따라 달라집니다.

레이저 표적판으로 작업하기

레이저 표적판 (24) 은 불리한 조건에서 그리고 거리가 많이 떨어진 곳에서 레이저빔의 가시성을 높여 줍니다.

레이저 표적판 (24) 의 반사면은 레이저 라인의 가시성을 높여 주며, 표면이 투명하여 레이저 표적판의 뒷면을 통해서도 식별할 수 있습니다.

삼각대(액세서리)를 이용해 작업하기

삼각대를 사용하여 높이를 조정하며, 안정적으로 측정할 수 있습니다. 1/4" 삼각대 홀더 (16) 와 함께 측정공구를 삼각대 (28) 혹은 일반 카메라 삼각대의 나사부 위에 놓습니다. 일반 건축용 삼각대에 고정하려면 5/8" 삼각대 홀더 (17) 를 사용하십시오. 측정공구를 삼각대 고정 나사로 고정하십시오.

측정공구의 전원을 켜기 전에 대략 삼각대의 방향을 맞추십시오.

유니버설 홀더(액세서리)를 이용해 고정하기 (그림 B 참조)

유니버설 홀더 (21) 를 이용해 수직면 또는 자성 물체 등에 측정공구를 고정할 수 있습니다. 유니버설 홀더는 스탠드로도 사용할 수 있으며, 측정공구의 높이를 맞추는 데 도움이 됩니다.

- ▶ 액세서리를 표면에 고정시킬 경우, 자성 액세서리의 뒷면에 손가락을 가까이 두지 마십시오. 자석의 강력한 장력으로 인해 손가락이 끼일 수 있습니다.

측정공구의 전원을 켜기 전에 대략 유니버설 홀더 (21) 의 방향을 맞추십시오.

레이저 수신기(액세서리)를 이용해 작업하기 (그림 B 참조)

조명 상태(밝은 환경, 직사광선)가 좋지 않고 거리가 많이 떨어져 있는 경우 레이저 라인을 잘 감지할 수 있도록 레이저 수신기 (25) 를 사용하십시오. 레이저 수신기를 이용해 작업할 경우 수신기 모드를 켜십시오 (참조 „수신기 모드“, 페이지 41).

레이저용 안경(액세서리)

레이저용 안경은 주변 조명을 걸러냅니다. 이를 통해 레이저의 빛이 더 밝게 보입니다.

- ▶ 레이저 보안경(액세서리)을 일반 보안경으로 사용하지 마십시오. 레이저 보안경은 레이저 광선을 보다 잘 감지하지만, 그렇다고 해서 레이저 광선으로부터 보호해주는 것은 아닙니다.

- ▶ 레이저 보안경(액세서리)을 선글라스 용도 또는 도로에서 사용하지 마십시오. 레이저 보안경은 자외선을 완벽하게 차단하지 못하며, 색상 분별력을 떨어뜨립니다.

작업 실례(그림 A-F 참조)

측정공구의 사용방법의 실례는 그림이 나와있는 면을 참고하십시오.

보수 정비 및 서비스

보수 정비 및 유지

항상 측정공구를 깨끗이 유지하십시오.

측정공구를 물이나 다른 액체에 넣지 마십시오.

물기있는 부드러운 천으로 오염된 부위를 깨끗이 닦으십시오. 세척제 또는 용제를 사용하지 마십시오.

특히 레이저빔 발사구 표면을 정기적으로 깨끗이 하고 보푸라기가 없도록 하십시오.

측정공구는 보호 가방 (27) 또는 케이스 (30) 에 넣은 상태로만 보관 및 운반하십시오.

수리 시 측정공구는 보호 가방 (27) 또는 케이스 (30) 에 넣은 상태로 보내 주십시오.

AS 센터 및 사용 문의

AS 센터에서는 귀하 제품의 수리 및 보수정비, 그리고 부품에 관한 문의를 받고 있습니다. 대체 부품에 관한 분해 조립도 및 정보는 인터넷에서도 찾아볼 수 있습니다 - www.bosch-pt.com

보수 사용 문의 팀에서는 보수의 제품 및 해당 액세서리에 관한 질문에 기꺼이 답변 드릴 것입니다.

문의나 대체 부품 주문 시에는 반드시 제품 네임 플레이트에 있는 10자리의 부품번호를 알려 주십시오.

콜센터

080-955-0909

다른 AS 센터 주소는 아래 사이트에서 확인할 수 있습니다:

www.bosch-pt.com/serviceaddresses

운반

권장하는 리튬이온 배터리는 위험물 관련 규정을 따릅니다. 배터리는 별도의 요구 사항 없이 사용자가 직접 도로 상에서 운반할 수 있습니다.

제3자를 통해 운반할 경우(항공 운송이나 운송 회사 등) 포장과 표기에 관한 특별한 요구 사항을 준수해야 합니다. 이 경우 발송 준비를 위해 위험물 전문가와 상담해야 합니다.

표면이 손상되지 않은 배터리만 사용하십시오. 배터리의 접촉 단자면을 덮어 붙인 상태로 내부에서 움직이지 않도록 배터리를 포장하십시오. 또한 이와 관련한 국내 규정을 준수하십시오.

처리



측정공구, 충전용 배터리/배터리, 액세서리 및 포장은 친환경적으로 재활용됩니다.



측정공구 및 충전용 배터리/배터리를 가정용 쓰레기에 버리지 마십시오!

충전용 배터리/배터리:
리튬이온:

운반 단락에 나와 있는 지침을 참고하십시오 (참조 „운반“, 페이지 44)을 누르십시오.

ไทย

กฎระเบียบเพื่อความปลอดภัย





ส่งเครื่องมือวัดให้ช่างผู้เชี่ยวชาญตรวจสอบและใช้อะไหล่เปลี่ยนของแท้เท่านั้น หากไม่ใช่เครื่องมือวัดตามคำแนะนำเหล่านี้ ระบบป้องกันเบ็ดเสร็จในเครื่องมือวัดอาจได้รับผลกระทบ อย่าทำให้ป้ายเตือนที่อยู่บนเครื่องมือวัดนี้ลบเลือน เก็บรักษาคำแนะนำเหล่านี้ไว้ให้ดี และหากเครื่องมือวัดนี้ถูกส่งต่อไปยังผู้อื่น ให้ส่งมอบคำแนะนำเหล่านี้ไปด้วย

- ▶ **ข้อควรระวัง** - การใช้อุปกรณ์ทำงานหรืออุปกรณ์ปรับเปลี่ยนอื่นๆ นอกเหนือไปจากที่ระบุไว้ในที่นี้ หรือการใช้วิธีการอื่นๆ อาจนำไปสู่การสัมผัสกับรังสีอันตรายได้
- ▶ เครื่องมือวัดนี้จัดส่งมาพร้อมป้ายเตือนแสงเลเซอร์ (แสดงในหน้าภาพประกอบของเครื่องมือวัด)
- ▶ หากข้อความของป้ายเตือนแสงเลเซอร์ไม่ได้เป็นภาษาของท่าน ให้ติดสติ๊กเกอร์ที่จัดส่งมาที่พิมพ์เป็นภาษาของท่านทับลงบนข้อความก่อนใช้งานครั้งแรก



อย่าเล็งลำแสงเลเซอร์ไปยังคนหรือสัตว์ และตัวท่านเองอย่าจ้องมองเข้าไปในลำแสงเลเซอร์โดยตรงหรือลำแสงเลเซอร์สะท้อน การกระทำดังกล่าวอาจทำให้คนตาพร่า ทำให้เกิดอุบัติเหตุ หรือทำให้ดวงตาเสียหายได้

- ▶ ถ้าแสงเลเซอร์เข้าตา ต้องปิดตาและหันศีรษะออกจากลำแสงในทันที
- ▶ อย่าทำการเปลี่ยนแปลงใดๆ ที่อุปกรณ์เลเซอร์
- ▶ อย่าใช้แว่นสำหรับมองแสงเลเซอร์ (อุปกรณ์เสริม) เป็นแว่นนิรภัย แว่นสำหรับมองแสงเลเซอร์ใช้สำหรับมองลำแสงเลเซอร์ให้เห็นชัดเจนยิ่งขึ้น แต่ไม่ได้ช่วยป้องกันรังสีเลเซอร์
- ▶ อย่าใช้แว่นสำหรับมองแสงเลเซอร์ (อุปกรณ์เสริม) เป็นแว่นกันแดดหรือใส่ซันบรอนด์แว่นสำหรับมองแสงเลเซอร์ไม่สามารถป้องกันรังสีอัลตราไวโอเล็ต (UV) ได้อย่างสมบูรณ์ และยังลดความสามารถในการมองเห็นสี
- ▶ ส่งเครื่องมือวัดให้ช่างผู้เชี่ยวชาญตรวจสอบและใช้อะไหล่เปลี่ยนของแท้เท่านั้น ทั้งนี้เพื่อให้อุ่นใจได้ว่าจะสามารถใช้งานเครื่องมือวัดได้อย่างปลอดภัยเสมอ

- ▶ **อย่าให้เด็กใช้เครื่องมือวัดด้วยเลเซอร์โดยไม่ควบคุมดูแล** เด็กๆ อาจทำให้บุคคลอื่นหรือตนเองตาพร่าโดยไม่ตั้งใจ
 - ▶ **อย่าใช้เครื่องมือวัดในสภาพแวดล้อมที่เสี่ยงต่อการระเบิด** ซึ่งเป็นที่ที่มีของเหลว แก๊ส หรือฝุ่นที่ติดไฟได้ในเครื่องมือวัดสามารถเกิดประกายไฟซึ่งอาจจุดฝุ่นละอองหรือไอระเหยให้ติดไฟได้
 - ▶ **อย่าเปิดแบตเตอรี่** อันตรายจากการลัดวงจร
 - ▶ **เมื่อแบตเตอรี่ชาร์จคและนำไปใช้งานอย่าให้ถูกตอง** อาจมีไอระเหยออกมาได้ แบตเตอรี่อาจเผาไหม้หรือระเบิดได้ให้สูดอากาศบริสุทธิ์และไปพบแพทย์ในกรณีเจ็บปวด ไอระเหยอาจทำให้ระบบหายใจระคายเคือง
 - ▶ **หากใช้อย่างไม่ถูกต้องหรือหากแบตเตอรี่ชาร์จของเหลวไวไฟอาจไหลออกมาจากแบตเตอรี่ได้** หลีกเลี่ยงการสัมผัสของเหลว ในกรณีนี้สัมผัสโดยไม่ตั้งใจให้ล้างออกด้วยน้ำ หากของเหลวเข้าตา ให้ไปพบแพทย์ด้วยของเหลวที่ไหลออกมาจากแบตเตอรี่อาจทำให้เกิดอาการคันหรือแสบผิวหนังได้
 - ▶ **วัตถุที่แหลมคม ต. ย. เช่น ตะปูหรือไขควง หรือแรงกระทำภายนอก อาจทำให้แบตเตอรี่เสียหายได้** สิ่งเหล่านี้ อาจทำให้เกิดการลัดวงจรภายในและแบตเตอรี่ใหม่ มีควัน ระเบิด หรือร้อนเกินไป
 - ▶ **นำแบตเตอรี่ที่ไม่ได้ใช้งานออกห่างจากคลิป์หนีบกระดาษ เหยียง คุกกี้ แจก ตะปู สกรู หรือวัตถุโลหะขนาดเล็กอื่นๆ ที่สามารถเชื่อมต่อขั้วหนึ่งไปยังอีกขั้วหนึ่งได้** การลัดวงจรของขั้วแบตเตอรี่อาจทำให้เกิดการไหม้หรือฟลุคได้
 - ▶ **ใช้แบตเตอรี่แพ็คเกจเฉพาะในผลิตภัณฑ์ของผู้ผลิตเท่านั้น** ในลักษณะนี้ แบตเตอรี่แพ็คเกจได้รับการปกป้องจากการใช้งานเกินกำลังซึ่งเป็นอันตราย
 - ▶ **ชาร์จแบตเตอรี่แพ็คเกจด้วยเครื่องชาร์จที่บริษัทผู้ผลิตแนะนำเท่านั้น** เครื่องชาร์จที่เหมาะสมสำหรับชาร์จแบตเตอรี่ประเภทนี้ หากนำไปชาร์จแบตเตอรี่ประเภทอื่น อาจเกิดไฟไหม้ได้
- 


ปกป้องแบตเตอรี่จากความร้อน รวมทั้ง ต. ย. เช่น จากการถูกแสงแดดส่องต่อเนื่อง จากไฟลิ่งสปริงก์ น้ำ และความชื้น อันตรายจากการระเบิดและการลัดวงจร
- ▶ **ถอดแบตเตอรี่แพ็คเกจหรือแบตเตอรี่ออกจากเครื่องมือวัด** ก่อนทำการปรับแต่งใดๆ ที่เครื่องมือวัด (ต. ย. เช่น การติดตั้ง การบำรุงรักษา ฯลฯ) และระหว่างการทำงานย้ายและการเก็บรักษา อันตรายจากการได้รับบาดเจ็บ หากสวิตช์เปิด-ปิดถูกกดโดยไม่เจตนา

- ▶ ภายใต้เงื่อนไขบางประการ ในขณะที่ใช้เครื่องมือวัดจะมีสัญญาณเสียงดังออกมา ดังนั้นต้องเอาเครื่องมือวัดออกห่างจากหูของท่านหรือบุคคลอื่น เสียงดังอาจทำให้การได้ยินบกพร่องได้



ต้องกันเครื่องมือวัดและอุปกรณ์ประกอบที่มีคุณสมบัติเป็นแม่เหล็กให้ห่างจากวัตถุปลูกถ่ายในร่างกายและอุปกรณ์ทางการแพทย์อื่นๆ เครื่องปรับจังหวะการเต้นของหัวใจด้วยไฟฟ้าหรือมีมัลติอินซูลิน แม่เหล็กของเครื่องมือวัดและอุปกรณ์ประกอบจะสร้างสนามแม่เหล็กซึ่งสามารถทำให้วัตถุปลูกถ่ายในร่างกายและอุปกรณ์ทางการแพทย์อื่นๆ ทำงานบกพร่องได้

- ▶ ต้องกันเครื่องมือวัดและอุปกรณ์ประกอบที่มีคุณสมบัติเป็นแม่เหล็กให้ห่างจากสื่อข้อมูลที่มีคุณสมบัติเป็นแม่เหล็กและอุปกรณ์ที่ไวต่อแรงดึงดูดแม่เหล็ก แม่เหล็กของเครื่องมือวัดและอุปกรณ์ประกอบสามารถทำให้ข้อมูลสูญหายอย่างเรียกกลับไม่ได้
- ▶ เครื่องมือวัดมีอินเทอร์เฟซคลื่นวิทยุสำหรับเชื่อมต่อข้อมูลแบบไร้สายต้องปฏิบัติตามข้อจำกัดการทำงานในพื้นที่ ต. ย. เช่น ในเครื่องบิน หรือโรงพยาบาล

เครื่องหมายข้อความ Bluetooth® และยังเป็นเครื่องหมายการค้าจดทะเบียนและเป็นกรรมสิทธิ์ของ Bluetooth SIG, Inc. บริษัท Robert Bosch Power Tools GmbH ได้รับใบอนุญาตใช้งานเครื่องหมายข้อความ/โลโก้ดังกล่าว

- ▶ ระวัง! การใช้เครื่องมือไฟฟ้าที่มี Bluetooth® อาจรบกวนอุปกรณ์และเครื่องมืออื่นๆ เครื่องบิน และอุปกรณ์ทางการแพทย์ (ต. ย. เช่น เครื่องกระตุ้นหัวใจ เครื่องช่วยฟัง) นอกจากนี้ยังอาจเกิดความเสียหายต่อคนและสัตว์ในบริเวณใกล้เคียงด้วย อย่าใช้เครื่องมือวัดที่มี Bluetooth® ใกล้ๆ อุปกรณ์ทางการแพทย์ สถานที่บริการน้ำมัน โรงงานเคมี พื้นที่ที่เสี่ยงต่อการระเบิด และในพื้นที่ทำการระเบิด อย่าใช้เครื่องมือไฟฟ้าที่มี Bluetooth® ในเครื่องบิน หลีกเลี่ยงการใช้งานเป็นระยะเวลานานตรงบริเวณใกล้ร่างกายโดยตรง

รายละเอียดผลิตภัณฑ์และข้อมูล

จำเพาะ

กรุณาดูภาพประกอบในส่วนหน้าของคู่มือการใช้งาน

ประโยชน์การใช้งานของเครื่อง

เครื่องมือวัดนี้ใช้สำหรับกำหนดและตรวจสอบเส้นแนวนอนและแนวตั้ง

เครื่องมือวัดนี้เหมาะสำหรับใช้งานทั้งภายในและภายนอกอาคาร

ส่วนประกอบผลิตภัณฑ์

ลำดับเลขของส่วนประกอบอ้างอิงถึงส่วนประกอบของเครื่องมือวัดที่แสดงในหน้าภาพประกอบ

- (1) ช่องทางออกลำแสงเลเซอร์
- (2) สถานะแบตเตอรี่แพ็ค/แบตเตอรี่
- (3) ไฟแสดงการล็อกแม่เหล็ก
- (4) ปุ่มโหมดอุปกรณ์รับ
- (5) ไฟแสดงโหมดอุปกรณ์รับ
- (6) ปุ่มสำหรับรูปแบบการทำงานของเลเซอร์
- (7) ไฟแสดงการเชื่อมต่อผ่าน Bluetooth®
- (8) ปุ่ม Bluetooth®
- (9) ช่องแบตเตอรี่
- (10) ปลอกหุ้มแบตเตอรี่อะแดปเตอร์^{a)}
- (11) แบตเตอรี่^{a)}
- (12) แป้นปลดล็อกแบตเตอรี่แพ็ค/แบตเตอรี่อะแดปเตอร์^{a)}
- (13) ผ้าปิดแบตเตอรี่อะแดปเตอร์^{a)}
- (14) แบตเตอรี่แพ็ค^{a)}
- (15) สวิตช์เปิด-ปิด
- (16) ช่องประกอบของขาตั้งแบบสามขาขนาด 1/4"
- (17) ช่องประกอบของขาตั้งแบบสามขาขนาด 5/8"
- (18) หมายเลขเครื่อง
- (19) ป้ายเตือนแสงเลเซอร์
- (20) แม่เหล็ก^{a)}
- (21) คัมจับบนเนกประสงค์^{a)}
- (22) แท่นหมุน^{a)}
- (23) รีโมทคอนโทรล^{a)}
- (24) คัมจับบนเนกประสงค์^{a)}
- (25) อุปกรณ์รับแสงเลเซอร์^{a)}
- (26) แวนตาสำหรับมองแสงเลเซอร์^{a)}
- (27) กระเป๋าสีเครื่องมือวัด^{a)}
- (28) ขาตั้งแบบสามขา^{a)}
- (29) ก้านแบบซึกยัดได้^{a)}
- (30) กล้องเก็บ^{a)}

(31) ช่องใส่^{a)}

- a) อุปกรณ์ประกอบที่แสดงภาพหรืออธิบายไม่รวมอยู่ในการจัดส่งมาตรฐาน
กรุณาดูอุปกรณ์ประกอบทั้งหมดในรายการแสดงอุปกรณ์ประกอบของเรา

ข้อมูลทางเทคนิค

เลเซอร์แบบเส้น	GLL 3-80 CG
หมายเลขสินค้า	3 601 K63 U..
ช่วงการทำงาน (รัศมี) ^{A)}	
– มาตรฐาน	30 ม.
– ในโหมดอุปกรณ์รับ	25 ม.
– ใช้อุปกรณ์รับแสงเลเซอร์	5–120 ม.
ความแม่นยำการทำระดับ ^{B)C)D)}	±0.2 มม./ม.
ย่านการทำระดับอัตโนมัติ	±4°
ระยะเวลาทำระดับ	< 4 วินาที
ความสูงใช้งานเหนือระดับอ้างอิง สูงสุด	2000 ม.
ความชื้นสัมพัทธ์ สูงสุด	90 %
ระดับมลพิษตาม IEC 61010-1	2 ^{E)}
ระดับเลเซอร์	2
ชนิดเลเซอร์	500–540 นาโนเมตร, < 10 มิลลิวัตต์
C ₆	10
การบานออก เส้นเลเซอร์	50 × 10 mrad (มุมเต็ม)
ช่วงเวลาลดแสงเลเซอร์สั้นที่สุด	1/10000 วินาที
อัตราชีพจร	
– การทำงานโดยปราศจากโหมดอุปกรณ์รับ	13 กิโลเฮิร์ตซ์
– การทำงานในโหมดอุปกรณ์รับ	10 กิโลเฮิร์ตซ์
อุปกรณ์รับแสงเลเซอร์ที่เข้ากันได้	LR7
ช่องประกอบของขาตั้งแบบสามขา	1/4", 5/8"
แหล่งจ่ายพลังงาน เครื่องมือวัด	
– แบตเตอรี่แพ็ค (ลิเทียม-ไอออน)	10.8 V/12 V
– แบตเตอรี่ (อัลคาไลน์-แมงกานีส)	4 × 1.5 โวลต์ LR6 (AA) (มีแบตเตอรี่อะแดปเตอร์)
ระยะเวลาทำงาน ไข้ 3 ระบุตามเลเซอร์ ^{F)}	
– มีแบตเตอรี่แพ็ค	6 ชม.
– มีแบตเตอรี่	4 ชม.
Bluetooth® เครื่องมือวัด	
– ความเข้ากันได้	Bluetooth® 4.0 (Low Energy) ^{G)}
– ระยะสัญญาณ สูงสุด	30 ม. ^{H)}

เลขอะแมบเส้น	GLL 3-80 CG
- ย่านความถี่ใช้งาน	2402–2480 เมกะเฮิร์ตซ์
- กำลังส่ง สูงสุด	< 1 mW
Bluetooth® สมาร์ทโฟน	
- ความเข้ากันได้	Bluetooth® 4.0 (Low Energy) ^{Q)}
- ระบบปฏิบัติการ	Android 6 (และสูงกว่า) iOS 11 (และสูงกว่า)
น้ำหนักตามระเบียบการ EPTA-Procedure 01:2014	
- มีแบตเตอรี่แพ็ค	0.90 กก.
- มีแบตเตอรี่	0.86 กก.
ขนาด (ความยาว × ความกว้าง × ความสูง)	162 × 84 × 148 มม.
ระดับการคุ้มกัน ¹⁾	IP54 (ป้องกันฝุ่นและน้ำกระเด็นเป็ยก)
อุณหภูมิโดยรอบที่แนะนำเมื่อชาร์จ	0°C ... +35°C
อุณหภูมิโดยรอบที่อนุญาตเมื่อใช้งาน	-10°C ... +40°C
อุณหภูมิโดยรอบที่อนุญาตเมื่อเก็บรักษา	-20°C ... +70°C
แบตเตอรี่ที่แนะนำ	GBA 10,8V... GBA 12V... (ยกเว้น GBA 12V ≥ 4.0 Ah)
เครื่องชาร์จที่แนะนำ	GAL 12... GAX 18...

A) ย่านการทำงานอาจลดลงหากมีสภาวะแวดล้อมที่ไม่เหมาะสม (ต.ย. เช่น แสงอาทิตย์ส่องโดยตรง)

B) ที่ 20–25 °C

C) สำหรับจุดตัดแนวอนทั้งสี่หมาย

D) ค่าที่ระบุเป็นค่าที่กำหนดตามสภาพแวดล้อมปกติ (เช่น ไม่มีการสิ้นเสเทียน ปราศจากหมอกควัน ไม่โดนแสงแดดโดยตรง) ความผันผวนของอุณหภูมิที่มากเกินไปอาจส่งผลให้เกิดความเบี่ยงเบนต่อความแม่นยำได้

E) เกิดขึ้นเฉพาะมลพิษที่ไม่นำไฟฟ้า ยกเว้นบางครั้งนำไฟฟ้าได้ชั่วคราวที่มีสาเหตุจากการลัดวงจรที่ได้อาจจะเกิดขึ้น

F) ระยะเวลาทำงานจะสั้นกว่าเมื่อใช้ Bluetooth® และ/หรือใช้ร่วมกับ RM 3

G) สำหรับอุปกรณ์ Bluetooth® Low Energy อาจไม่มีการเชื่อมต่อ ทั้งนี้ขึ้นอยู่กับรุ่นและระบบปฏิบัติการ อุปกรณ์ Bluetooth® ต้องรองรับการทำงานแบบพอร์ตอณุกรม (SPP)

H) ช่วงสัญญาณอาจแตกต่างกันมาก ทั้งนี้ขึ้นอยู่กับเงื่อนไขภายนอก รวมทั้งอุปกรณ์รับสัญญาณที่ใช้ ภายในพื้นที่ปิดและเมื่อมีตัวกันที่เป็นโลหะ (ต.ย. เช่น ผนัง ชั้นวางของ กระเป๋าเดินทาง ฯลฯ) ช่วงสัญญาณ Bluetooth® อาจลดลงอย่างชัดเจน

I) แบตเตอรี่ลิเทียมไอออนและแคปเคอร์แบตเตอรี่ AA1 ไม่รวมอยู่ใน IP54

สำหรับการระบุเครื่องมือวัดของท่านอย่างชัดเจน กรุณาดูหมายเลขเครื่อง (18) บนแผ่นป้ายรุ่น

การติดตั้ง

แหล่งจ่ายพลังงาน เครื่องมือวัด

เครื่องมือวัดสามารถทำงานกับแบตเตอรี่มาตรฐานที่วางจำหน่ายทั่วไป หรือแบตเตอรี่แพ็คลิเทียม ไอออน ของ บอซ

การทำงานกับแบตเตอรี่แพ็ค

- ▶ ใช้เฉพาะเครื่องชาร์จแบตเตอรี่ที่ระบุไว้ในข้อมูลทางเทคนิคนี้เท่านั้น เฉพาะเครื่องชาร์จแบตเตอรี่เหล่านี้เท่านั้น ที่ถูกออกแบบมาให้ใช้กับแบตเตอรี่แพ็คลิเทียม ไอออน ที่ใช้ในเครื่องมือวัดของท่าน

หมายเหตุ: แบตเตอรี่ลิเธียมไอออนถูกจัดส่งโดยมีการชาร์จไฟบางส่วนตามระเบียบข้อบังคับด้านการขนส่งระหว่างประเทศ เพื่อให้แน่ใจว่าแบตเตอรี่จะทำงานได้อย่างสมบูรณ์แบบ ก่อนใช้งานครั้งแรกให้ชาร์จแบตเตอรี่จนเต็ม

เมื่อต้องการใส่แบตเตอรี่แพ็คที่ชาร์จแล้ว (14) ให้เลื่อนแบตเตอรี่แพ็คเข้าในช่องแบตเตอรี่ (9) จนเข้าล็อกอย่างเห็นได้ชัด

เมื่อต้องการถอด แบตเตอรี่แพ็ค (14) ให้กดปุ่มปลดล็อก (12) และดึงแบตเตอรี่แพ็คออกจากช่องแบตเตอรี่ (9) อย่าใช้กำลังดึง

การทำงานกับแบตเตอรี่

สำหรับการใช้งานเครื่องมือวัด ขอแนะนำให้ใช้แบตเตอรี่อัลคาไลน์แมงกานีส

ต้องใส่แบตเตอรี่เข้าในแบตเตอรี่อะแดปเตอร์

- ▶ **แบตเตอรี่อะแดปเตอร์นี้มีไว้สำหรับใช้ในเครื่องมือวัด บั๊วช ที่ออกแบบมาให้ใช้ได้เท่านั้น และต้องไม่นำมาใช้ร่วมกับเครื่องมือไฟฟ้า**

เมื่อต้องการใส่แบตเตอรี่ ให้เลื่อนปลอกหุ้ม (10) ของแบตเตอรี่อะแดปเตอร์เข้าในช่องแบตเตอรี่ (9) ใส่แบตเตอรี่เข้าในปลอกหุ้มตามภาพประกอบบนฝาปิด (13) เลื่อนฝาปิดเข้าบนปลอกหุ้มจนเข้าล็อกอย่างเห็นได้ชัด

เมื่อต้องการถอดแบตเตอรี่ (11) ให้กดปุ่มปลดล็อก (12) ของฝาปิด (13) และดึงฝาปิดออก ระวังอย่าให้แบตเตอรี่ร่วงหล่นออกมา ให้ถือเครื่องวัดโดยหันช่องแบตเตอรี่ (9) ขึ้นด้านบน ถอดแบตเตอรี่ออก เมื่อต้องการถอดปลอกหุ้มที่อยู่ด้านใน (10) ออกจากช่องแบตเตอรี่ ให้จับเข้าไปปลอกหุ้มและดึงออกจากเครื่องมือวัดโดยกดบนผนังด้านข้างเล็กน้อย

เปลี่ยนแบตเตอรี่ทุกก้อนพร้อมกันเสมอ โดยใช้แบตเตอรี่จากผู้ผลิตรายเดียวกันทั้งหมดและมีความจุเท่ากันทุกก้อน

- ▶ **เมื่อไม่ใช้งานเครื่องมือวัดเป็นเวลานาน ต้องถอดแบตเตอรี่ออก** แบตเตอรี่ในเครื่องมือวัดอาจกักความร้อนในระหว่างเก็บรักษาเป็นเวลานาน และปล่อยประจุออกเองได้

ไฟแสดงสถานะการชาร์จ

ไฟแสดงสถานะการชาร์จของแบตเตอรี่ (2) แสดงสถานะการชาร์จของแบตเตอรี่แพ็คหรือแบตเตอรี่:

LED	สถานะการชาร์จ
ไฟต่อเนื่อง สีเขียว	100–75 %
ไฟต่อเนื่อง สีเหลือง	75–35 %
ไฟต่อเนื่อง สีแดง	35–10 %
ไม่มีแสงไฟ	– แบตเตอรี่ที่ชาร์จ – แบตเตอรี่หมดประจุ

เมื่อแบตเตอรี่แพ็คหรือแบตเตอรี่อ่อน ความสว่างของเส้นเลเซอร์จะลดลงอย่างช้าๆ

เปลี่ยนแบตเตอรี่แพ็คที่ชาร์จหรือแบตเตอรี่ที่หมดประจุโดยทันที

การปฏิบัติงาน

การเริ่มต้นปฏิบัติงาน

- ▶ **ป้องกันไม่ให้เครื่องมือวัดได้รับความชื้นและโดนแสงแดดส่องโดยตรง**
- ▶ **อย่าให้เครื่องมือวัดได้รับอุณหภูมิที่สูงมาก หรือรับอุณหภูมิที่เปลี่ยนแปลงมาก** ต. ย. เช่น อย่าปล่อยให้เครื่องมือวัดไว้ในรถยนต์เป็นเวลานาน หากเกิดความผันผวนของอุณหภูมิสูงขึ้น ปล่อยให้เครื่องมือวัดปรับอุณหภูมิก่อนและตรวจสอบความแม่นยำก่อนดำเนินการต่อ (ดู "การตรวจสอบความแม่นยำของเครื่องมือวัด", หน้า 51) อุณหภูมิที่สูงมากหรืออุณหภูมิที่เปลี่ยนแปลงมากอาจส่งผลต่อความแม่นยำของเครื่องมือวัด
- ▶ **หลีกเลี่ยงอย่าให้เครื่องมือวัดตกหล่นหรือถูกระทบอย่างรุนแรง** เมื่อเครื่องมือวัดถูกระทบจากภายนอกอย่างรุนแรง ขอแนะนำให้ทำการตรวจสอบความแม่นยำทุกครั้งก่อนนำมาใช้งานต่อ (ดู "การตรวจสอบความแม่นยำของเครื่องมือวัด", หน้า 51)
- ▶ **ปิดเครื่องมือวัดเมื่อขนย้าย** เมื่อปิดสวิตช์ชุดทำระดับจะถูกล็อก ถ้าไม่เช่นนั้นการเคลื่อนไหวอย่างรุนแรงอาจทำให้ชุดทำระดับเสียหายได้

การเปิด-ปิดเครื่อง

เมื่อต้องการเปิดสวิตช์ เครื่องมือวัด ให้ดันสวิตช์เปิด-ปิด (15) ไปที่ตำแหน่ง "On" (สำหรับการทำงานโดยที่แม่เหล็กอยู่) หรือไปที่ตำแหน่ง "On" (สำหรับการทำงานด้วยการทำระดับอัตโนมัติ) ทั้งนี้ที่เปิดสวิตช์ เครื่องมือวัดจะปล่อยลำแสงเลเซอร์ออกจากช่องทางออก (1)

- ▶ **อย่าส่องลำแสงเลเซอร์ไปยังคนหรือสัตว์ และอย่าจ้องมองลำแสงเลเซอร์แมจะอยู่ในระยะไกล**

เมื่อต้องการปิดสวิตช์เครื่องมือวัด ให้เลื่อนสวิตช์เปิด-ปิด (15) ไปที่ตำแหน่ง Off เมื่อปิดสวิตช์ชุดลูกตั้งจะถูกล็อก

- ▶ **อย่าวางเครื่องมือวัดที่เปิดสวิตช์ทิ้งไว้โดยไม่มีผู้ดูแล และให้ปิดสวิตช์เครื่องมือวัดเมื่อเลิกใช้งาน** คนอื่นอาจตาพร่าจากแสงเลเซอร์ได้

หากเครื่องมือวัดมีอุณหภูมิเกินกว่าอุณหภูมิใช้งานสูงสุดที่อนุญาตคือ 40 °C เครื่องจะปิดสวิตช์ ทั้งนี้เพื่อปกป้องเลเซอร์ไดโอด เมื่อเครื่องมือวัดเย็นลงแล้ว เครื่องพร้อมจะทำงาน ให้เปิดสวิตช์เครื่องอีกครั้งได้

หากอุณหภูมิของเครื่องมือวัดใกล้อุณหภูมิการใช้งานสูงสุดที่อนุญาต ความสว่างของเส้นเลเซอร์จะลดลงอย่างช้าๆ เครื่องมือวัดได้รับการป้องกันการปล่อยประจุไฟฟ้าสถิต (ESD) อย่างรุนแรงหากเครื่องมือวัดมีประจุไฟฟ้าสถิต (เช่น ผ่านการสัมผัสในสภาวะแวดล้อมที่มีความชื้นต่ำ) เครื่องมือจะปิดสวิตช์โดยอัตโนมัติ ในกรณีนี้ ให้ปิดสวิตช์เปิด-ปิด (15) แล้วเปิดใหม่อีกครั้ง

การยกเลิกการปิดอัตโนมัติ

หากไม่มีกราดปุ่มใดๆ บนเครื่องมือวัดประมาณ 120 นาที เครื่องมือวัดจะปิดสวิตช์โดยอัตโนมัติเพื่อปกป้องถ่านหรือแบตเตอรี่

เมื่อต้องการเปิดสวิตช์เครื่องมือวัดหลังการปิดสวิตช์โดยอัตโนมัติ ให้ดันสวิตช์เปิด-ปิด (15) ไปที่ตำแหน่ง "Off" และจากนั้นจึงเปิดสวิตช์เครื่องมือวัดอีกครั้งหนึ่ง หรือให้กดปุ่มรูปแบบการทำงาน (6) หนึ่งครั้ง หรือกดปุ่มโหมดอุปกรณ์รับ (4) หนึ่งครั้ง

เมื่อต้องการยกเลิกการปิดสวิตช์โดยอัตโนมัติ ให้กดปุ่มรูปแบบการทำงาน (6) นานอย่างน้อยที่สุด 3 วินาที (ขณะเครื่องมือวัดเปิดสวิตช์อยู่) เพื่อยืนยันการยกเลิกการปิดสวิตช์โดยอัตโนมัติ ลำแสงเลเซอร์จะกะพริบขึ้นสั้นๆ

เมื่อต้องการเรียกใช้งานการปิดสวิตช์โดยอัตโนมัติ ให้ปิดสวิตช์เครื่องมือวัดและเปิดสวิตช์อีกครั้ง

การยกเลิกเสียงสัญญาณ

เมื่อเปิดสวิตช์เครื่องมือวัด เสียงสัญญาณจะทำงานเสมอหากต้องการยกเลิกหรือเรียกใช้งานเสียงสัญญาณ ให้กดปุ่มรูปแบบการทำงาน (6) และปุ่มโหมดอุปกรณ์รับ (4) พร้อมๆ กัน ค้างไว้นานอย่างน้อยที่สุด 3 วินาที เพื่อยืนยันการยกเลิกและการเรียกใช้งานเสียงสัญญาณ จะมีเสียงบี๊บสั้นๆ ดังขึ้นสามครั้ง

รูปแบบการทำงาน

เครื่องมือวัดนี้มีรูปแบบการทำงานหลายประเภท

ซึ่งท่านสามารถสลับเปลี่ยนได้ตลอดเวลา:

- ผลิตระนาบเลเซอร์แนวอนหนึ่งระนาบ
- ผลิตระนาบเลเซอร์แนวตั้งหนึ่งระนาบ
- ผลิตระนาบเลเซอร์แนวตั้งสองระนาบ
- ผลิตระนาบเลเซอร์แนวอนหนึ่งระนาบ และระนาบเลเซอร์แนวตั้งสองระนาบ

เมื่อเปิดสวิตช์ เครื่องมือวัดจะผลิตระนาบเลเซอร์แนวอนหนึ่งระนาบกดปุ่มรูปแบบการทำงาน (6) เพื่อเปลี่ยนรูปแบบการทำงาน

ท่านสามารถเลือกทำงานด้วยการปรับระดับอัตโนมัติและโดยที่แป้นล็อกอยู่

โหมดอุปกรณ์รับ

เมื่อทำงานกับอุปกรณ์รับแสงเลเซอร์ (25) ต้องเรียกใช้งานโหมดอุปกรณ์รับ – ไม่ว่าจะเลือกรูปแบบการทำงานใดก็ตาม ในโหมดอุปกรณ์รับ เส้นเลเซอร์จะกะพริบที่ความถี่สูงมาก และด้วยเหตุนี้อุปกรณ์รับแสงเลเซอร์ (25) จึงสามารถค้นพบเส้นเลเซอร์

เมื่อต้องการเปิดสวิตช์โหมดอุปกรณ์รับ ให้กดปุ่มโหมดอุปกรณ์รับ (4) ไฟแสดงโหมดอุปกรณ์รับ (5) สีเขียวจะติดขึ้น

เมื่อโหมดอุปกรณ์รับเปิดสวิตช์อยู่ ความสามารถของตามนุษย์ในการมองเห็นเส้นเลเซอร์จะลดลง ดังนั้นเมื่อทำงานโดยไม่ใช้อุปกรณ์รับแสงเลเซอร์ จึงต้องปิดสวิตช์โหมดอุปกรณ์รับโดยกดปุ่มโหมดอุปกรณ์รับ (4) อีกครั้ง ไฟแสดงโหมดอุปกรณ์รับ (5) จะดับลง

การทาระดับอัตโนมัติ

การทำงานด้วยการทาระดับอัตโนมัติ

วางเครื่องมือวัดลงบนพื้นผิวที่มั่นคงและราบเสมอกัน ยึดเครื่องเข้ากับฐานจับเครื่อง (21) หรือขาตั้งแบบสามขา (28)

สำหรับการทำงานโดยมีการทาระดับอัตโนมัติ ให้ดันสวิตช์เปิด-ปิด (15) ไปที่ตำแหน่ง "On"

การทาระดับอัตโนมัติจะปรับความไม่ราบเรียบให้สมดุลภายในการปรับระดับอัตโนมัติ $\pm 4^\circ$ ได้เอง การทาระดับจะเสร็จสมบูรณ์ในทันทีที่เส้นเลเซอร์ไม่เคลื่อนไหวอีกต่อไป

หากไม่สามารถทาระดับอัตโนมัติได้ เช่น เนื่องจากพื้นผิวที่เครื่องมือวัดตั้งอยู่เอียงเบนมากกว่า 4° จากระนาบราบ ลำแสงเลเซอร์จะเริ่มกะพริบอย่างรวดเร็ว เมื่อมีการเรียกใช้เสียงสัญญาณ เสียงสัญญาณจะหวะเร็วๆ จะดังขึ้นตั้งเครื่องมือวัดบนพื้นราบเสมอกันและรอให้เกิดการทาระดับอัตโนมัติ ในทันทีที่เครื่องมือวัดอยู่ภายในช่วงการทาระดับอัตโนมัติ $\pm 4^\circ$ ลำแสงเลเซอร์ทั้งหมดจะติดขึ้นอย่างต่อเนื่องและเสียงสัญญาณจะปิดสวิตช์ลง

ในกรณีที่พื้นสันสะเทือนหรือเปลี่ยนแปลงขณะทำงาน เครื่องมือวัดจะทาระดับโดยอัตโนมัติอีกครั้ง เมื่อทาระดับซ้ำอีกครั้ง ให้ตรวจสอบตำแหน่งของเส้นเลเซอร์ในแนวอนหรือแนวตั้งที่เกี่ยวข้องจุดอ้างอิงเพื่อหลีกเลี่ยงความผิดพลาด เนื่องจากได้เลื่อนเครื่องมือวัด

การทำงานโดยที่แป้นล็อกอยู่

สำหรับการทำงานโดยที่แป้นล็อกอยู่ ให้ดันสวิตช์เปิด-ปิด (15) ไปที่ตำแหน่ง "On" ตัวแสดงสำหรับการล็อกแป้น (3) ติดขึ้นสีแดงและเส้นเลเซอร์จะกะพริบซ้ำๆ อย่างต่อเนื่อง

สำหรับการทำงานโดยที่แม่นยำคืออยู่ การปรับระดับอัตโนมัติจะปิดทำงาน คุณสามารถถือเครื่องมือวัดไว้ในมือหรือวางไว้บนพื้นผิวที่ลาดเอียง เส้นเลเซอร์จะไม่ปรับระดับอีกต่อไปและไม่จำเป็นต้องวิ่งในแนวตั้งตรงซึ่งกันและกันอีกต่อไป

การควบคุมระยะไกลผ่าน "Bosch Levelling Remote App"

เครื่องมือวัดมี *Bluetooth*® โมดูลติดตั้งอยู่ ที่ช่วยให้สามารถควบคุมระยะไกลได้ด้วยสมาร์ตโฟนผ่าน *Bluetooth*® อินเทอร์เน็ตโดยใช้เทคโนโลยีไร้สาย สำหรับการใช้ฟังก์ชันนี้ จำเป็นต้องมีแอปพลิเคชัน (Apps) "**Bosch Levelling Remote App**" ท่านสามารถดาวน์โหลดแอปพลิเคชันเหล่านี้ตามประเภทอุปกรณ์ปลายทางได้จากแหล่งรวมแอปพลิเคชัน (Apple App Store, Google Play Store) ที่เกี่ยวข้อง

กรุณาค้นหาข้อมูลเกี่ยวกับความต้องการของระบบที่จำเป็นสำหรับการเชื่อมต่อ *Bluetooth*® ได้ที่เว็บไซต์ของ บอช www.bosch-pt.com

เมื่อใช้การควบคุมระยะไกลผ่าน *Bluetooth*® อาจเกิดความล่าช้าทางต้นเวลาระหว่างอุปกรณ์เคลื่อนที่ปลายทางและเครื่องมือวัดเนื่องจากสภาพการรับสัญญาณไม่ดี

การเปิดสวิตช์ Bluetooth®

เมื่อต้องการเปิดสวิตช์ *Bluetooth*® สำหรับการควบคุมระยะไกล ให้กดปุ่ม *Bluetooth*® (8) ตรวจสอบให้แน่ใจว่า *Bluetooth*® อินเทอร์เน็ตบนอุปกรณ์เคลื่อนที่ปลายทางของท่านเปิดใช้งานอยู่

เมื่อเริ่มต้น Bosch แอปพลิเคชัน การเชื่อมต่อระหว่างอุปกรณ์เคลื่อนที่ปลายทางและเครื่องมือวัดจะเกิดขึ้น ถ้าพบเครื่องมือวัดที่ทำงานอยู่หลายเครื่อง ให้เลือกเครื่องมือวัดที่เหมาะสม ถ้าพบเครื่องมือวัดที่ทำงานอยู่เพียงเครื่องเดียว การเชื่อมต่อจะเกิดขึ้นโดยอัตโนมัติ

การเชื่อมต่อจะเกิดขึ้นเมื่อไฟแสดง *Bluetooth*® (7) ส่องสว่าง

การเชื่อมต่อ *Bluetooth*® อาจถูกขัดจังหวะเนื่องจากเครื่องมือวัดและอุปกรณ์เคลื่อนที่ปลายทางมีระยะห่างจากกันมากเกินไปหรือมีสิ่งกีดขวาง รวมทั้งมีการรบกวนทางแม่เหล็กไฟฟ้าในกรณีนี้ไฟแสดง *Bluetooth*® (7) จะกะพริบ

การปิดสวิตช์ Bluetooth®

เมื่อต้องการปิดสวิตช์ *Bluetooth*® สำหรับการควบคุมระยะไกล ให้กดปุ่ม *Bluetooth*® (8) หรือปิดสวิตช์เครื่องมือวัด

การตรวจสอบความแม่นยำของเครื่องมือวัด

ผลกระทบต่อความแม่นยำ

อุณหภูมิรอบด้านมีผลต่อความแม่นยำมากที่สุด โดยเฉพาะอย่างยิ่งความแตกต่างของอุณหภูมิจากพื้นขึ้นไปทีละสูงกว่าสามารถเบี่ยงเบนค่าแสงเลเซอร์ได้ เพื่อลดอิทธิพลทางความร้อนเนื่องด้วยความร้อนที่เพิ่มขึ้นจากพื้น ขอแนะนำให้ใช้เครื่องมือวัดพร้อมขาตั้ง หากเป็นไปได้ให้ตั้งเครื่องมือวัดไว้กลางพื้นที่ทำงานด้วย

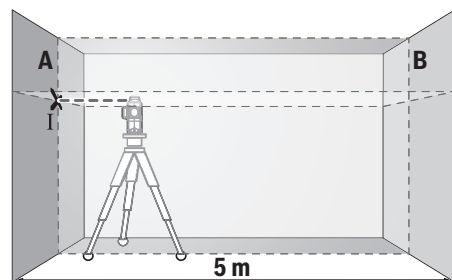
นอกจากสาเหตุและปัจจัยจากภายนอกแล้ว สาเหตุและปัจจัยเฉพาะตัวอุปกรณ์เอง (ต. ย. เช่น การตกหล่น หรือการกระแทกอย่างรุนแรง) อาจนำไปสู่การเบี่ยงเบนได้ด้วย ดังนั้นให้ตรวจสอบความแม่นยำการทำการระดับทุกครั้งก่อนเริ่มทำงานในขั้นแรก ให้ตรวจสอบความแม่นยำการทำการระดับของเส้นเลเซอร์แนวนอน จากนั้นจึงตรวจสอบความแม่นยำการทำการระดับของเส้นเลเซอร์แนวตั้ง

หากเครื่องมือวัดเบี่ยงเบนเกินค่าเบี่ยงเบนสูงสุดในระหว่างการทดสอบครั้งใดครั้งหนึ่ง ให้ส่งเครื่องมือให้ศูนย์บริการหลังการขาย **Bosch** ซ่อมแซม

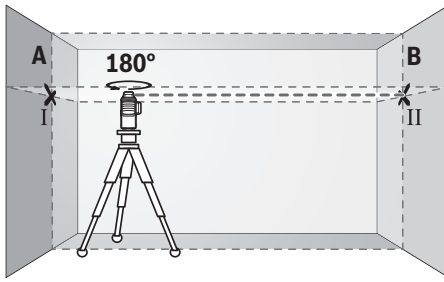
การตรวจสอบความแม่นยำการทำการระดับแนวนอนสำหรับแกนขวาง

สำหรับการตรวจสอบ ต้องใช้ระยะทางวัดว่างเปล่า 5 ม. บนพื้นผิวที่มั่นคงระหว่างผนัง A และ B

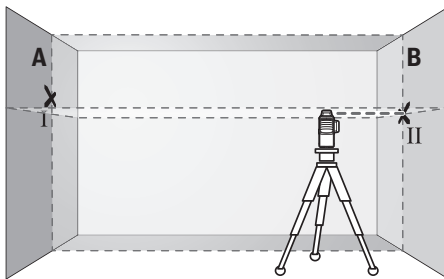
- ประกอบเครื่องมือวัดเข้ากับขาตั้งแบบสามขา หรือวางเครื่องมือบนพื้นผิวที่มั่นคงและราบเสมอกันใกล้กับผนัง A เปิดสวิตช์เครื่องมือวัดในรูปแบบการทำงานด้วยการทำการระดับอัตโนมัติ เลือกรูปแบบการทำงานที่ผลิตระนาบเลเซอร์แนวนอนหนึ่งระนาบ และระนาบเลเซอร์แนวตั้งหนึ่งระนาบ ที่ออกจากด้านหน้าเครื่องมือวัด



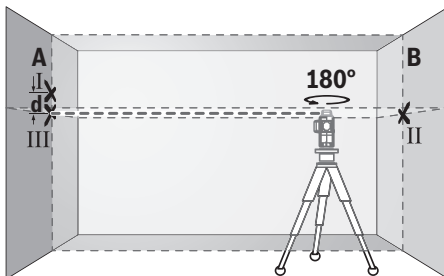
- ชีเลเซอร์ไปยังผนังฝั่งใกล้ A และปล่อยให้เครื่องมือวัดทำการระดับ ทำเครื่องหมายตรงกลางจุดตรงที่เส้นเลเซอร์ไขว้กันที่ผนัง A (จุด I)



- หมุนเครื่องมือวัดไป 180° ปล่อยให้เครื่องมือวัดทำระดับและทำเครื่องหมายที่จุดไขว้ของเส้นเลเซอร์บนผนังฝั่งตรงข้าม B (จุด II)
- วางเครื่องมือวัดใกล้ผนัง B โดยไม่หมุนเครื่อง เปิดสวิตช์เครื่องมือวัดและปล่อยให้ทำระดับ



- วางแนวความสูงของเครื่องมือวัด (โดยปรับที่ขาตั้งแบบสามขาหรือใช้สิ่งของรองข้างใต้ หากจำเป็น) ในลักษณะให้จุดไขว้ของเส้นเลเซอร์ตกลงบนจุดเครื่องหมายอันก่อน II บนผนัง B อย่างพอดีพอดี

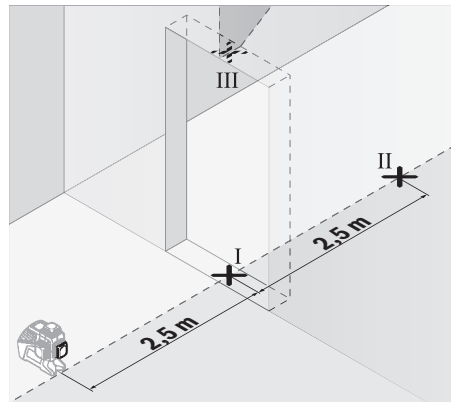


- หมุนเครื่องมือวัดไป 180° โดยไม่เปลี่ยนความสูงซึ่งเลเซอร์ไปยังผนัง A ในลักษณะให้เส้นเลเซอร์แนวตั้งวิ่งผ่านจุดที่ทำเครื่องหมายไว้แล้ว | ปล่อยให้เครื่องมือวัดทำระดับและทำเครื่องหมายที่จุดไขว้ของเส้นเลเซอร์บนผนัง A (จุด III)
- ความต่าง d ของจุดเครื่องหมายทั้งสอง I และ III บนผนัง A แสดงความเบี่ยงเบนความสูงที่แท้จริงของเครื่องมือวัดที่ระยะทางวัด $2 \times 5 \text{ m} = 10 \text{ m}$. ความเบี่ยงเบนสูงสุดที่อนุญาตคือ:

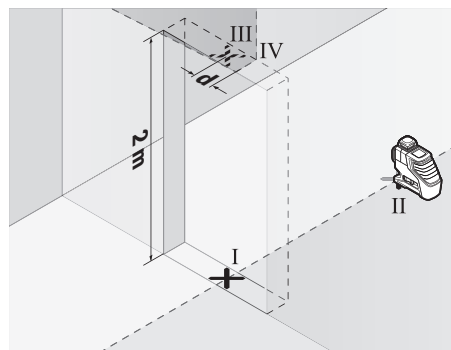
$10 \text{ m.} \times \pm 0.2 \text{ มม./ม.} = \pm 2 \text{ มม.}$ ดังนั้นความต่าง d ระหว่างจุด I และ II ต้องไม่เกิน 2 มม.

การตรวจสอบความแม่นยำการทำระดับของเส้นแนวตั้ง
สำหรับการตรวจสอบ ต้องใช้ช่องประตูที่มีพื้นที่ว่างแต่ละด้านห่างจากประตูอย่างน้อย 2.5 เมตร (บนพื้นผิวที่มั่นคง)

- วางเครื่องมือวัดไว้บนพื้นผิวที่มั่นคงและราบเสมอกัน (ไม่วางบนขาตั้งแบบสามขา) โดยให้ห่างจากช่องประตู 2.5 ม. เปิดสวิตช์เครื่องมือวัดในรูปแบบการทำงานด้วยการทำระดับอัตโนมัติ เลือกรูปแบบการทำงานที่ผลิตระบุบนเลเซอร์แนวตั้งหนึ่งระบุที่ออกจากด้านหน้าเครื่องมือวัด



- ทำเครื่องหมายตรงกลางเส้นเลเซอร์แนวตั้งที่พื้นของช่องประตู (จุด I) ที่ระยะห่างออกไป 5 เมตรเลยไปอีกด้านหนึ่งของช่องประตู (จุด II) และที่ขอบด้านบนของช่องประตู (จุด III)



- หมุนเครื่องมือวัดไป 180° และวางเครื่องไว้อีกด้านหนึ่งของช่องประตูตรงหลังจุด II ปล่อยให้เครื่องมือวัดทำระดับ และวางแนวเส้นเลเซอร์แนวตั้งในลักษณะให้จุดกลางของเส้นเลเซอร์วิ่งผ่านจุด I และ II อย่างพอดีพอดี

– ทำเครื่องหมายตรงกลางเส้นเลเซอร์ที่ขอบด้านบนของช่องประตูให้เป็นจุด IV

– ความต่าง **d** ของจุดเครื่องหมายทั้งสอง III และ IV แสดงความเบี่ยงเบนที่แท้จริงของเครื่องมือวัดจากแนวตั้ง

– วัดความสูงของช่องประตู

ทำซ้ำขั้นตอนการวัดสำหรับระนาบเลเซอร์แนวตั้งระนาบที่สอง เลือกรูปแบบการทำงานที่ผลิตรายละเอียดของระนาบที่ออกจากด้านข้างเครื่องมือวัด และหมุนเครื่องมือวัดไป 90° ก่อนเริ่มต้นขั้นตอนการวัด

ความเบี่ยงเบนสูงสุดที่อนุญาตคำนวณดังต่อไปนี้:

สองเท่าของความสูงช่องประตู $\times 0.2$ มม./ม.

ตัวอย่าง: ถ้าความสูงช่องประตูคือ 2 ม. ความเบี่ยงเบนสูงสุดต้องไม่เกิน

$2 \times 2 \text{ ม.} \times \pm 0.2 \text{ มม./ม.} = \pm 0.8 \text{ มม.}$ ดังนั้นจุด III และ IV ต้องห่างจากกันไม่เกิน 0.8 มม.

ข้อแนะนำในการทำงาน

▶ **ทำเครื่องหมายเฉพาะตรงกลางเส้นเลเซอร์เสมอ** ความกว้างของเส้นเลเซอร์เปลี่ยนไปตามระยะทาง

การทำงานกับแผ่นเป้าหมายเลเซอร์

แผ่นเป้าหมายเลเซอร์ (24) ช่วยให้เห็นลำแสงเลเซอร์ได้ดียิ่งขึ้นในสภาวะที่ไม่เหมาะสมและในระยะทางไกลๆ

ส่วนพื้นผิวสะท้อนกลับของแผ่นเป้าหมายเลเซอร์ (24) ช่วยให้เห็นเส้นเลเซอร์ได้ดียิ่งขึ้น เนื่องจากมีเลนส์ จึงสามารถมองเห็นเส้นเลเซอร์จากทางด้านหลังของแผ่นพื้นผิวเป้าหมายเลเซอร์ได้ด้วย

การทำงานกับขาตั้งแบบสามขา (อุปกรณ์ประกอบ)

ขาตั้งแบบสามขาช่วยให้สามารถทำการวัดได้อย่างมั่นคงและปรับความสูงได้ สวมเครื่องมือวัดด้านช่องประกอบของขาตั้งแบบสามขาขนาด 1/4" (16) เข้าบนเกลียวของขาตั้งแบบสามขา (28) หรือขาตั้งกล่องที่มีจำหน่ายทั่วไป สำหรับการยึดกับขาตั้งก่อสร้างที่มีจำหน่ายทั่วไป ให้ใช้ช่องประกอบของขาตั้งแบบสามขาขนาด 5/8" (17) ยึดเครื่องมือวัดโดยชั้นสลักลอคของขาตั้งแบบสามขาเข้าให้แน่น

ปรับขาตั้งแบบสามขาอย่างคร่าวๆ ก่อนเปิดสวิตช์เครื่องมือวัด

การยึดกับค้ำจับอเนกประสงค์ (อุปกรณ์ประกอบ)

(รูปภาพประกอบ B)

เมื่อใช้ค้ำจับอเนกประสงค์ (21) ช่วย คุณสามารถติดเครื่องมือวัด เช่น เข็มกับพื้นผิวแนวตั้ง หรือวัตถุที่ทำให้เป็นแม่เหล็กได้ เป็นต้น ค้ำจับอเนกประสงค์ยังเหมาะสำหรับใช้เป็นขาตั้งแบบสามขาชนิดตั้งพื้น และทำให้ปรับความสูงของเครื่องมือวัดได้ง่ายขึ้นด้วย

▶ **วางนิ้วของคุณให้ห่างจากด้านหลังของอุปกรณ์เสริมแบบแม่เหล็กหมุน** เมื่อติดตั้งอุปกรณ์เสริมแบบหมุนบน

พื้นผิว แรงดึงดูดของแม่เหล็ก อาจทำให้หนีบติดนิ้วของคุณได้

ปรับค้ำจับอเนกประสงค์ (21) อย่างคร่าวๆ ก่อนเปิดสวิตช์เครื่องมือวัด

การทำงานกับอุปกรณ์รับแสงเลเซอร์ (อุปกรณ์ประกอบ) (รูปภาพประกอบ B)

ในสภาวะแสงที่ไม่เหมาะสม (สภาพแวดล้อมที่สว่างจ้า แสงแดดส่องตรง) และสำหรับระยะทางไกลๆ ให้ใช้อุปกรณ์รับแสงเลเซอร์ (25) เพื่อจะได้ค้นหาเส้นเลเซอร์ได้ง่ายขึ้น เมื่อทำงานกับอุปกรณ์รับแสงเลเซอร์ ให้เปิดสวิตช์โหมดอุปกรณ์รับ (ดู "โหมดอุปกรณ์รับ", หน้า 50)

แว่นสำหรับมองแสงเลเซอร์ (อุปกรณ์ประกอบ)

แว่นสำหรับมองแสงเลเซอร์ช่วยกรองสภาวะแสงภายนอกออกไป ทำให้ตามองเห็นแสงเลเซอร์ได้ชัดเจนยิ่งขึ้น

▶ **อย่าใช้แว่นสำหรับมองแสงเลเซอร์ (อุปกรณ์เสริม) เป็นแว่นนิรภัย** แว่นสำหรับมองแสงเลเซอร์ใช้สำหรับมองลำแสงเลเซอร์ให้เห็นชัดเจนยิ่งขึ้น แต่ไม่ได้ช่วยป้องกันรังสีเลเซอร์

▶ **อย่าใช้แว่นสำหรับมองแสงเลเซอร์ (อุปกรณ์เสริม) เป็นแว่นกันแดดหรือใส่ซันรยหนด** แว่นสำหรับมองแสงเลเซอร์ไม่สามารถป้องกันรังสีอัลตราไวโอเล็ต (UV) ได้ อย่างสมบูรณ์ และยังลดความสามารถในการมองเห็นสี

ตัวอย่างการปฏิบัติงาน (รูปภาพประกอบ A-F)

ตัวอย่างการใช้งานที่เป็นไปได้ของเครื่องมือวัดกรูมาคูในหน้าภาพประกอบ

การบำรุงรักษาและการบริการ

การบำรุงรักษาและการทำความสะอาด

รักษาเครื่องมือวัดให้สะอาดตลอดเวลา

อย่าจุ่มเครื่องมือวัดลงในน้ำหรือของเหลวอื่นๆ

เช็ดสิ่งสกปรกออกด้วยผ้านุ่มที่เปียกหมาดๆ อย่าใช้สารซักฟอกหรือตัวทำละลาย

ทำความสะอาดพื้น

ผิวตรงช่องทางออกลำแสงเลเซอร์เป็นประจำ และเอาใจใส่อย่าให้ขุยผ้าติด

เก็บรักษาและขนย้ายเครื่องมือวัดเฉพาะเมื่อบรรจุอยู่ในกระเป๋าสีเครื่องมือวัด (27) หรือกล่องเก็บ (30)

ในกรณีซ่อมแซม ให้ส่งเครื่องมือวัดโดยบรรจุลงในกระเป๋าสีเครื่องมือวัด (27) หรือกล่องเก็บ (30)

การบริการหลังการขายและการให้คำปรึกษาการใช้งาน

ศูนย์บริการหลังการขายของเรายินดีตอบคำถามของท่านที่เกี่ยวกับการบำรุงรักษาและการซ่อมแซมผลิตภัณฑ์รวมทั้งเรื่องอะไหล่ ภาพเขียนแบบการประกอบและข้อมูลเกี่ยวกับอะไหล่ กรุณาดูใน: www.bosch-pt.com

ทีมงานที่ปรึกษาของ บอช ยินดีให้ข้อมูลเกี่ยวกับผลิตภัณฑ์ของเราและอุปกรณ์ประกอบต่างๆ

เมื่อต้องการสอบถามและสั่งซื้ออะไหล่ กรุณาแจ้งหมายเลขสินค้า 10 หลักบนแผ่นป้ายรุ่นของผลิตภัณฑ์ทุกครั้ง

ไทย

ไทย บริษัท โรเบิร์ต บอช จำกัด
 เอฟวายไอ เซ็นเตอร์ อาคาร 1 ชั้น 5
 เลขที่ 2525 ถนนพระราม 4
 แขวงคลองเตย เขตคลองเตย กรุงเทพฯ 10110
 โทร: +66 2012 8888
 แฟกซ์: +66 2064 5800
www.bosch.co.th

ศูนย์บริการซ่อมและฝึกอบรม บอช

อาคาร ลาซาลทาวเวอร์ ชั้น G ห้องเลขที่ 2

บ้านเลขที่ 10/11 หมู่ 16

ถนนศรีนครินทร์ ตำบลบางแก้ว อำเภอบางพลี

จังหวัดสมุทรปราการ 10540

ประเทศไทย

โทรศัพท์ 02 7587555

โทรสาร 02 7587525

สามารถดูที่อยู่ศูนย์บริการอื่นๆ ได้ที่:

www.bosch-pt.com/serviceaddresses

การขนส่ง

แบตเตอรี่ลิเธียมไอออนที่แนะนำให้ใช้ อยู่ภายใต้ข้อกำหนดแห่งกฎหมายสินค้าอันตราย ผู้ใช้สามารถขนส่งแบตเตอรี่แพ็คโดยทางถนนโดยไม่มีข้อบังคับอื่นหากขนส่งโดยบุคคลที่สาม (เช่น : การขนส่งทางอากาศ หรือตัวแทนขนส่งสินค้า) ต้องปฏิบัติตามข้อกำหนดพิเศษเกี่ยวกับการบรรจุภัณฑ์และการติดฉลาก สำหรับการเตรียมสิ่งของที่จัดส่ง จำเป็นต้องปรึกษาผู้เชี่ยวชาญด้านวัตถุอันตราย ส่งแบตเตอรี่แพ็คเมื่อตัวหุ้มไม่ชำรุดเสียหายเท่านั้น ใช้แถบกาวพันปิดหน้าสัมผัสที่เปิดอยู่ และนำแบตเตอรี่แพ็คใส่กล่องบรรจุโดยไม่ไหลเคลื่อนไปมาในกล่องได้ นอกจากนี้ กรุณาปฏิบัติตามกฎระเบียบของประเทศซึ่งอาจมีรายละเอียดเพิ่มเติม

การกำจัดขยะ



เครื่องมือวัด แบตเตอรี่แพ็ค/แบตเตอรี่ อุปกรณ์ประกอบ และที่บ่อ ต้องนำไปแยกประเภทวัสดุเพื่อนำกลับมาใช้ใหม่โดยไม่ทำลายสภาพแวดล้อม



อย่าทิ้งเครื่องมือวัดและแบตเตอรี่แพ็ค/แบตเตอรี่ลงในขยะบ้าน!

แบตเตอรี่แพ็ค/แบตเตอรี่:

ลิเธียมไอออน:

กรุณาปฏิบัติตามคำแนะนำในบทความขนส่ง(ดู "การขนส่ง", หน้า 54)

Bahasa Indonesia

Petunjuk Keselamatan



Petunjuk lengkap ini harus dibaca dan diperhatikan agar tidak terjadi bahaya dan Anda dapat bekerja dengan aman saat menggunakan alat ukur ini. Apabila alat ukur tidak digunakan sesuai dengan petunjuk yang disertakan, keamanan alat ukur dapat terganggu. Janganlah sekali-kali menutupi atau melepas label keselamatan kerja yang ada pada alat ukur ini. **SIMPAN PETUNJUK INI DENGAN BAIK DAN BERIKAN KEPADA PEMILIK ALAT UKUR BERIKUTNYA.**

- ▶ **Perhatian –** jika perangkat pengoperasian atau perangkat pengaturan atau prosedur lain selain yang dituliskan di sini digunakan, hal ini dapat menyebabkan terjadinya paparan radiasi yang berbahaya.
- ▶ Alat pengukur dikirim dengan tanda peringatan laser (ditandai dengan ilustrasi alat pengukur di halaman grafis).
- ▶ Jika teks pada tanda peringatan laser tidak tertulis dalam bahasa negara Anda, tempelkan label yang tersedia dalam bahasa negara Anda di atas label berbahasa Inggris sebelum Anda menggunakan alat untuk pertama kalinya.



Jangan melihat sinar laser ataupun mengarahkannya kepada orang lain atau hewan baik secara langsung maupun dari pantulan. Sinar laser dapat membutakan seseorang, menyebabkan kebutaan atau merusak mata.

- ▶ Jika radiasi laser mengenai mata, tutup mata Anda dan segera gerakkan kepala agar tidak terkena sorotan laser.

- ▶ **Jangan mengubah peralatan laser.**
- ▶ **Jangan gunakan kacamata pelihat laser (aksesori) sebagai kacamata pelindung.** Kacamata pelihat laser digunakan untuk mendeteksi sinar laser dengan lebih baik, namun tidak melindungi dari sinar laser.
- ▶ **Jangan gunakan kacamata pelihat laser (aksesori) sebagai kacamata hitam atau di jalan raya.** Kacamata pelihat laser tidak menawarkan perlindungan penuh terhadap sinar UV dan mengurangi persepsi warna.
- ▶ **Perbaiki alat ukur hanya di teknisi ahli resmi dan gunakan hanya suku cadang asli.** Dengan demikian, keselamatan kerja dengan alat ukur ini selalu terjamin.
- ▶ **Jangan biarkan anak-anak menggunakan alat ukur laser tanpa pengawasan.** Hal ini dapat menyilaukan orang lain atau diri sendiri secara tidak sengaja.
- ▶ **Jangan mengoperasikan alat ukur di area yang berpotensi meledak yang di dalamnya terdapat cairan, gas, atau serbuk yang dapat terbakar.** Di dalam alat pengukur dapat terjadi bunga api, yang lalu menyulut debu atau uap.
- ▶ **Jangan membuka baterai.** Ada bahaya terjadinya korsleting.
- ▶ **Asap dapat keluar apabila terjadi kerusakan atau penggunaan yang tidak tepat pada baterai. Baterai dapat terbakar atau meledak.** Biarkan udara segar mengalir masuk dan kunjungi dokter apabila mengalami gangguan kesehatan. Asap tersebut dapat mengganggu saluran pernafasan.
- ▶ **Penggunaan yang salah pada baterai atau baterai yang rusak dapat menyebabkan keluarnya cairan yang mudah terbakar dari baterai.** Hindari terkena cairan ini. Jika tanpa sengaja terkena cairan ini, segera bilas dengan air. Jika cairan tersebut terkena mata, segera hubungi dokter untuk pertolongan lebih lanjut. Cairan yang keluar dari baterai dapat menyebabkan iritasi pada kulit atau luka bakar.
- ▶ **Baterai dapat rusak akibat benda-benda lancip, seperti jarum, obeng, atau tekanan keras dari luar.** Hal ini dapat menyebabkan terjadinya hubungan singkat internal dan baterai dapat terbakar, berasap, meledak, atau mengalami panas berlebih.
- ▶ **Jika baterai tidak digunakan, jauhkan baterai dari klip kertas, uang logam, kunci, paku, sekrup, atau benda-benda kecil dari logam lainnya, yang dapat menjembatani kontak-kontak.** Korsleting antara kontak-kontak baterai dapat mengakibatkan kebakaran atau api.
- ▶ **Hanya gunakan baterai pada produk yang dibuat oleh produsen.** Hanya dengan cara ini, baterai dapat terlindung dari kelebihan muatan.
- ▶ **Hanya isi ulang daya baterai menggunakan alat pengisi daya yang dianjurkan oleh produsen.** Alat pengisi daya baterai yang khusus untuk mengisi daya baterai tertentu dapat mengakibatkan kebakaran jika digunakan untuk mengisi daya baterai yang tidak cocok.



Lindungi baterai dari panas, misalnya juga dari paparan sinar matahari dalam waktu yang lama, api, kotoran, air dan kelembapan. Terdapat risiko ledakan dan korsleting.



- ▶ **Lepaskan baterai sebelum bekerja menggunakan alat ukur (misalnya pemasangan, perawatan, dll) serta saat pengangkutan dan penyimpanan.** Terdapat risiko cedera apabila tombol on/off dioperasikan tanpa sengaja.
- ▶ **Nada sinyal akan berbunyi keras pada kondisi tertentu saat alat ukur beroperasi. Oleh karena itu, jagalah jarak alat ukur dari telinga atau orang lain.** Bunyi yang keras dapat menyebabkan pendengaran terganggu.



Jauhkan alat pengukur dan aksesoris magnetis dari alat implan dan perangkat medis semacamnya, seperti misalnya alat pacu jantung atau pompa insulin. Magnet pada alat pengukur dan aksesoris menciptakan medan yang dapat memengaruhi fungsi alat implan dan perangkat medis.

- ▶ **Jauhkan alat pengukur dan aksesoris magnetis dari media penyimpanan data magnetis dan perangkat yang sensitif terhadap magnet.** Daya magnet dari perkakas listrik dan aksesoris dapat mengakibatkan data-data hilang secara permanen.
- ▶ **Alat ukur dilengkapi dengan antarmuka nirkabel. Perhatikan batasan pengoperasian lokal, misalnya dalam pesawat terbang atau di rumah sakit.**

Istilah merek *Bluetooth®* serta gambar simbol (logo) merupakan merek dagang terdaftar dan kepemilikan dari Bluetooth SIG, Inc. Setiap penggunaan istilah merek/gambar simbol ini berada di bawah lisensi Robert Bosch Power Tools GmbH.

- ▶ **Waspada! Ketika menggunakan alat ukur dengan Bluetooth® dapat terjadi gangguan pada perangkat dan instalasi lain, pesawat terbang, dan perangkat medis (misalnya alat pacu jantung, alat bantu dengar).** Selain itu, cedera pada manusia dan binatang di area sekitar tidak dapat sepenuhnya dihindari. **Jangan menggunakan alat ukur dengan Bluetooth® di dekat perangkat medis, pusat pengisian bahan bakar, instalasi kimia, area dengan bahaya ledakan. Jangan menggunakan alat ukur dengan Bluetooth® dalam pesawat terbang. Hindari pengoperasian di dekat tubuh secara langsung dalam waktu yang lama.**

Spesifikasi produk dan performa

Perhatikan ilustrasi yang terdapat pada bagian depan panduan pengoperasian.

Tujuan penggunaan

Alat ukur dirancang untuk menentukan dan memeriksa garis horizontal dan vertikal.

Alat ukur ditujukan untuk digunakan di dalam maupun di luar ruangan.

Ilustrasi komponen

Nomor-nomor pada ilustrasi komponen sesuai dengan gambar alat pengukur pada halaman gambar.

- (1) Outlet sinar laser
- (2) Level pengisian daya baterai
- (3) Display penguncian pendulum
- (4) Tombol mode receiver
- (5) Display mode receiver
- (6) Tombol untuk mode pengoperasian laser
- (7) Display sambungan melalui *Bluetooth*[®]
- (8) Tombol *Bluetooth*[®]
- (9) Kompartemen baterai
- (10) Wadah adaptor baterai^{a)}
- (11) Baterai^{a)}
- (12) Tombol pelepas baterai/adaptor baterai^{a)}
- (13) Tutup pengunci adaptor baterai^{a)}
- (14) Baterai^{a)}
- (15) Tombol on/off
- (16) Dudukan tripod 1/4"
- (17) Dudukan tripod 5/8"
- (18) Nomor seri
- (19) Label peringatan laser
- (20) Magnet^{a)}
- (21) Dudukan universal^{a)}
- (22) Platform putar^{a)}
- (23) Remote control^{a)}
- (24) Reflektor sinar laser^{a)}
- (25) Penerima laser^{a)}
- (26) Kacamata laser^{a)}
- (27) Tas pelindung^{a)}
- (28) Tripod^{a)}
- (29) Batang teleskopik^{a)}
- (30) Koper^{a)}
- (31) Sisipan^{a)}

a) Aksesori yang ada pada gambar atau yang dijelaskan tidak termasuk dalam lingkup pengiriman standar. Semua aksesori yang ada dapat Anda lihat dalam program aksesori kami.

Data teknis

Laser garis	GLL 3-80 CG
Nomor model	3 601 K63 U..
Area kerja (radius) ^{A)}	
– Standar	30 m
– Pada mode receiver	25 m
– Dengan penerima laser	5–120 m
Akurasi perataan ^{B)C)D)}	±0,2 mm/m
Area perataan otomatis	±4°
Waktu perataan	< 4 s
Tinggi penggunaan maks. di atas tinggi acuan	2000 m
Kelembapan relatif maks.	90%
Tingkat polusi sesuai dengan IEC 61010-1	2 ^{E)}
Kelas laser	2
Jenis laser	500–540 nm, < 10 mW
C ₆	10
Divergensi garis laser	50 × 10 mrad (sudut penuh)
Durasi impuls terpendek	1/10000 s
Frekuensi pulsa	
– Pengoperasian tanpa mode receiver	13 kHz
– Pengoperasian pada mode receiver	10 kHz
Penerima laser yang kompatibel	LR7
Dudukan tripod	1/4", 5/8"
Suplai daya alat ukur	
– Baterai (li-ion)	10,8 V/12 V
– Baterai (mangan alkali)	4 × 1,5 V LR6 (AA) (dengan adaptor baterai)

Laser garis		GLL 3-80 CG
Durasi pengoperasian dengan 3 level laser ^{F)}		
- Dengan baterai		6 h
- Dengan baterai		4 h
Alat ukur <i>Bluetooth</i> [®]		
- Kompatibilitas	<i>Bluetooth</i> [®] 4.0 (Low Energy) ^{G)}	
- Jangkauan sinyal maks.		30 m ^{H)}
- Rentang frekuensi pengoperasian		2402–2480 MHz
- Daya transmisi maks.		< 1 mW
Smartphone <i>Bluetooth</i> [®]		
- Kompatibilitas	<i>Bluetooth</i> [®] 4.0 (Low Energy) ^{G)}	
- Sistem pengoperasian	Android 6 (dan lebih tinggi) iOS 11 (dan lebih tinggi)	
Berat sesuai dengan EPTA-Procedure 01:2014		
- Dengan baterai		0,90 kg
- Dengan baterai		0,86 kg
Dimensi (panjang × lebar × tinggi)		162 × 84 × 148 mm
Jenis perlindungan ^{I)}		IP 54 (terlindung dari debu dan percikan air)
Suhu sekitar yang direkomendasikan saat pengisian daya		0°C ... +35°C
Suhu sekitar yang diizinkan saat pengoperasian		-10°C ... +40°C
Suhu sekitar yang diizinkan saat penyimpanan		-20°C ... +70°C
Baterai yang direkomendasikan		GBA 10,8V... GBA 12V... (kecuali GBA 12V ≥ 4,0 Ah)
Perangkat pengisian daya yang direkomendasikan		GAL 12... GAX 18...

- A) Area kerja dapat berkurang akibat keadaan lingkungan yang tidak menguntungkan (seperti sinar matahari langsung).
 B) pada **20–25 °C**
 C) Berlaku pada empat titik silang horizontal.
 D) Nilai yang ditentukan memerlukan kondisi lingkungan normal hingga kondisi lingkungan menguntungkan (misalnya tidak ada getaran, tidak ada kabut, tidak ada asap, tidak ada sinar matahari langsung). Perubahan suhu yang drastis dapat menyebabkan penyimpangan akurasi.
 E) Hanya polusi nonkonduktif yang terjadi, namun terkadang muncul konduktivitas sementara yang disebabkan oleh kondensasi.
 F) Durasi pengoperasian yang lebih singkat dengan penggunaan *Bluetooth*[®] dan/atau disambungkan dengan RM 3
 G) Sambungan mungkin tidak dapat dibuat pada perangkat *Bluetooth*[®] Low Energy tergantung pada model dan sistem pengoperasian. Perangkat *Bluetooth*[®] harus mendukung profil SPP.
 H) Jangkauan sinyal dapat sangat berbeda bergantung pada kondisi eksternal termasuk perangkat penerima yang digunakan. Jangkauan *Bluetooth*[®] dapat melemah jika berada di dalam ruangan tertutup dan melewati penghalang yang mengandung logam (contoh: dinding, rak, koper, dll.).
 I) Baterai Li-ion dan adaptor baterai AA1 tidak termasuk dalam IP54.

Untuk mengidentifikasi alat ukur secara jelas terdapat nomor seri **(18)** pada label tipe.

Cara memasang

Suplai daya alat ukur

Alat ukur dapat dioperasikan dengan baterai komersial biasa atau dengan baterai isi ulang li-ion merek Bosch.

Pengoperasian dengan baterai

- ▶ **Hanya gunakan pengisi daya yang terdaftar dalam data teknis.** Hanya pengisi daya ini yang sesuai pada baterai li-ion yang dapat digunakan untuk alat Anda.

Catatan: Baterai lithium-ion dikirim dalam keadaan terisi daya sebagian berdasarkan peraturan transportasi internasional. Untuk menjamin daya penuh dari baterai, isi daya baterai hingga penuh sebelum menggunakannya untuk pertama kali.

Untuk **memasang** baterai yang telah terisi daya **(14)** masukkan baterai ke dalam kompartemen **(9)** hingga terkunci.

Untuk **melepas** baterai **(14)** tekan tombol pelepas **(12)** dan keluarkan baterai dari kompartemen baterai **(9)**. **Jangan melepas baterai dengan paksa.**

Pengoperasian dengan baterai

Untuk pengoperasian alat ukur disarankan memakai baterai mangan alkali.

Baterai dimasukkan ke dalam adaptor baterai.

- ▶ **Adaptor baterai hanya untuk digunakan pada alat ukur Bosch yang disediakan dan tidak boleh digunakan dengan perkakas listrik.**

Untuk **memasang** baterai geser rangka (10) adaptor baterai ke dalam kompartemen baterai (9). Masukkan baterai seperti ilustrasi yang terdapat pada tutup (13) ke dalam rangka. Geser tutup di atas rangka hingga tutup terkunci.



Untuk **melepas** baterai (11) tekan tombol pelepas (12) tutup (13) dan lepas tutup. Pada saat melepas, pastikan baterai tidak terjatuh.

Untuk itu, pegang alat ukur dengan mengarahkan kompartemen baterai (9) ke atas. Lepaskan baterai. Untuk melepaskan rangka yang terpasang di dalam (10) dari kompartemen baterai, pegang kerangka dan

tarik keluar dari alat ukur dengan menekan secara perlahan pada sisi samping.

Selalu ganti semua baterai sekaligus. Hanya gunakan baterai dari produsen dan dengan kapasitas yang sama.

- ▶ **Keluarkan baterai dari alat pengukur jika tidak digunakan dalam waktu yang lama.** Jika baterai disimpan di dalam alat pengukur untuk waktu yang lama, baterai dapat berkarat dan dayanya akan habis dengan sendirinya.

Indikator level baterai

Indikator level pengisian daya baterai (2) menunjukkan level pengisian daya baterai:

LED	Level pengisian daya
Lampu permanen hijau	100–75%
Lampu permanen kuning	75–35%
Lampu permanen merah	35–10%
Lampu tidak menyala	– Baterai rusak – Baterai kosong

Jika baterai lemah, kecerahan garis laser akan menurun perlahan.

Segera ganti baterai yang rusak atau yang kosong.

Penggunaan

Cara penggunaan

- ▶ **Lindungilah alat ukur dari cairan dan sinar matahari langsung.**
- ▶ **Jauhkan alat pengukur dari suhu atau perubahan suhu yang ekstrem.** Jangan biarkan alat pengukur berada terlalu lama di dalam kendaraan. Saat perubahan suhu besar, biarkan alat ukur menyesuaikan suhu lingkungan terlebih dulu dan selalu lakukan pemeriksaan akurasi sebelum melanjutkan pekerjaan dengan (lihat „Pemeriksaan keakuratan alat ukur“, Halaman 60).

Pada suhu atau perubahan suhu ekstrem, ketepatan alat pengukur dapat terganggu.

- ▶ **Hindari guncangan atau benturan yang keras pada alat ukur.** Apabila setelah terjadi pengaruh eksternal yang kuat pada alat ukur, disarankan untuk memeriksa akurasi alat ukur sebelum digunakan kembali (lihat „Pemeriksaan keakuratan alat ukur“, Halaman 60).
- ▶ **Matikan alat ukur saat memindahkan.** Jika alat ukur dimatikan, unit pendulum akan terkunci yang dapat rusak jika terkena guncangan.

Mengaktifkan/menonaktifkan perkakas listrik

Untuk **mengaktifkan** alat pengukur, geser tombol on/off (15) ke posisi "On" (untuk pengerjaan dengan penguncian pendulum) atau ke posisi "On" (untuk pengerjaan dengan levelling otomatis). Setelah diaktifkan, alat pengukur segera mengeluarkan garis laser dari outlet sinar laser (1).

- ▶ **Jangan mengarahkan sinar laser pada orang lain atau binatang dan jangan melihat ke sinar laser, juga tidak dari jarak jauh.**

Untuk **mematikan** alat pengukur, geser tombol on/off (15) ke posisi **Off**. Unit pendulum akan terkunci ketika alat pengukur dimatikan.

- ▶ **Jangan biarkan alat ukur yang aktif berada di luar pengawasan dan matikan alat ukur setelah digunakan.** Sinar laser dapat menyilaukan mata orang lain.

Saat suhu pengoperasian melebihi batas maksimum yang diperbolehkan sebesar 40 °C, alat akan mati untuk melindungi dioda laser. Setelah alat pengukur menjadi dingin, alat pengukur siap dipakai dan bisa dihidupkan kembali.

Jika suhu alat ukur mendekati suhu pengoperasian maksimal yang diperbolehkan, kecerahan sinar laser akan menurun perlahan.

Alat ukur terlindung dari pelepasan muatan listrik statis ekstrim (ESD). Jika alat ukur dimuat secara elektrostatis (misalnya dengan disentuh di lingkungan dengan kelembapan rendah), alat akan mati secara otomatis. Pada situasi tersebut, matikan tombol on/off (15) kemudian hidupkan kembali.

Mematikan pemadaman otomatis

Jika tidak ada tombol yang ditekan pada alat pengukur selama sekitar 120 menit, alat pengukur akan mati secara otomatis untuk melindungi baterai.

Untuk menyalakan kembali alat ukur setelah dimatikan secara otomatis, geser tombol on/off (15) ke posisi "Off" dan nyalakan kembali alat ukur, atau tekan satu kali pada tombol mode pengoperasian laser (6) atau tombol mode receiver (4).

Untuk mematikan penonaktifan otomatis, tekan dan tombol mode pengoperasian laser (saat alat ukur diaktifkan) (6) setidaknya selama 3 detik. Jika fungsi tersebut dinonaktifkan, sinar laser akan berkedip sesaat sebagai konfirmasi.

Untuk mengaktifkan penonaktifan otomatis, matikan dahulu alat ukur, kemudian hidupkan lagi.

Mematikan nada sinyal

Setelah alat ukur dihidupkan, nada sinyal selalu dalam keadaan aktif.

Untuk mengaktifkan dan menonaktifkan nada sinyal, tekan dan tahan tombol mode pengoperasian laser (6) dan tombol mode receiver (4) minimal selama 3 detik.

Baik pada waktu mengaktifkan maupun mematikan, nada sinyal akan berbunyi singkat tiga kali sebagai konfirmasi.

Mode pengoperasian

Alat ukur dilengkapi dengan beberapa mode pengoperasian yang dapat diganti sewaktu-waktu:

- menghasilkan satu bidang laser horizontal,
- menghasilkan satu bidang laser vertikal,
- menghasilkan dua bidang laser vertikal,
- menghasilkan satu bidang laser horizontal dan dua bidang laser vertikal.

Setelah diaktifkan, alat ukur akan membentuk bidang laser horizontal. Untuk mengganti mode pengoperasian, tekan tombol mode pengoperasian laser (6).

Semua mode pengoperasian dapat dipilih dengan levelling otomatis serta dengan penguncian pendulum.

Mode receiver

Untuk penggunaan dengan penerima sinar laser (25) mode receiver perlu diaktifkan terlepas dari mode pengoperasian yang dipilih.

Pada mode receiver, garis laser akan berkedip dengan frekuensi yang sangat tinggi sehingga penerima sinar laser (25) dapat terdeteksi.

Untuk mengaktifkan mode receiver, tekan tombol mode receiver (4). Display mode receiver (5) menyala hijau.

Garis laser akan tampak kurang jelas untuk mata manusia saat mode receiver diaktifkan. Oleh karenanya, nonaktifkan mode receiver dengan menekan kembali tombol mode receiver (4) pada pengerjaan tanpa penerima sinar laser. Display mode receiver (5) menghilang.

Levelling otomatis

Bekerja dengan levelling otomatis

Pasang alat pengukur pada permukaan yang datar dan stabil, kencangkan pada penopang universal (21) atau tripod (28).

Untuk penggunaan dengan levelling otomatis, geser tombol on/off (15) ke posisi "On".

Levelling otomatis akan menyeimbangkan keadaan yang tidak rata di dalam kisaran levelling dari $\pm 4^\circ$ secara otomatis. Levelling akan segera berhenti setelah garis laser tidak lagi bergerak.

Jika perataan otomatis tidak dapat dilakukan, misalnya karena permukaan posisi alat pengukur menyimpang lebih dari 4° dari posisi horizontal, garis laser akan mulai berkedip cepat. Suara akan terdengar dalam tempo yang cepat saat bunyi sinyal diaktifkan.

Letakkan alat pengukur pada permukaan datar dan tunggu serta tunggu proses perataan otomatis. Begitu alat pengukur berada di dalam area perataan otomatis sebesar $\pm 4^\circ$, sinar laser akan menyala terus-menerus dan bunyi sinyal dimatikan.

Jika selama pengoperasian, alat ukur diguncangkan atau dipindahkan, alat ukur akan melakukan levelling secara otomatis. Setelah melakukan levelling kembali, periksalah posisi garis laser horizontal atau vertikal terkait titik-titik acuan guna menghindari terjadinya kesalahan pengukuran akibat alat ukur bergeser.

Pengerjaan dengan pengunci pendulum

Untuk pengerjaan dengan penguncian pendulum, geser tombol on/off (15) ke posisi "On". Display penguncian pendulum (3) menyala merah dan garis laser berkedip dalam tempo lambat.

Saat bekerja dengan penguncian pendulum, levelling otomatis dinonaktifkan. Alat pengukur dapat dipegang dengan tangan atau ditempatkan pada permukaan yang miring. Garis laser tidak lagi diratakan dan harus tegak lurus satu sama lain.

Kontrol jarak jauh melalui "Bosch Levelling Remote App"

Alat ukur dilengkapi dengan modul *Bluetooth*® yang memungkinkan kendali jarak jauh menggunakan teknologi nirkabel melalui smartphone dengan antarmuka *Bluetooth*®.

Untuk penggunaan fungsi ini, diperlukan aplikasi (App) "Bosch Levelling Remote App". Aplikasi dapat diunduh tergantung pada perangkat App Store yang sesuai (Apple App Store, Google Play Store).

Informasi mengenai persyaratan sistem yang diperlukan untuk koneksi *Bluetooth*® dapat dilihat pada situs internet Bosch di www.bosch-pt.com.

Saat melakukan kontrol jarak jauh melalui *Bluetooth*®, sambungan antara perangkat dan alat ukur dapat berjalan lambat akibat kondisi penerimaan yang buruk.

Mengaktifkan Bluetooth®

Untuk mengaktifkan *Bluetooth*® kontrol jarak jauh, tekan tombol *Bluetooth*® (8). Pastikan antarmuka *Bluetooth*® telah diaktifkan pada perangkat seluler.

Setelah mengaktifkan aplikasi Bosch, koneksi antara perangkat seluler dengan alat ukur akan dibuat. Jika ada beberapa alat ukur yang aktif, Anda harus memilih alat ukur yang sesuai. Jika hanya ada satu alat ukur yang aktif, koneksi akan dibuat secara otomatis.

Sambungan dibuat begitu display *Bluetooth*® menyala (7).

Sambungan *Bluetooth*® dapat terputus jika jarak terlalu jauh atau terdapat penghalang antara alat ukur dan perangkat seluler serta akibat gangguan elektromagnetik. Dalam hal ini, display *Bluetooth*® akan berkedip (7).

Menonaktifkan Bluetooth®

Untuk menonaktifkan *Bluetooth*® kontrol jarak jauh, tekan tombol *Bluetooth*® atau matikan alat ukur (8).

Pemeriksaan keakuratan alat ukur

Pengaruh terhadap ketelitian

Suhu sekitar memberikan pengaruh terbesar. Khususnya perbedaan suhu dari tanah ke atas dapat mempengaruhi sinar laser.

Untuk meminimalkan pengaruh panas dari panas yang naik dari lantai, direkomendasikan untuk menggunakan alat pengukur pada tripod. Selain itu alat ukur sebaiknya dipasang di bagian tengah permukaan kerja.

Selain pengaruh dari luar, pengaruh khusus perangkat juga dapat menyebabkan kerusakan (seperti misalnya benturan atau guncangan keras). Oleh karena itu, periksa ketepatan levelling terlebih dahulu sebelum memulai proses.

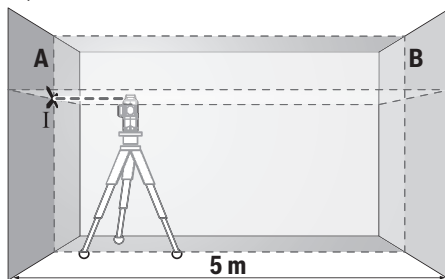
Pertama, periksa keakuratan levelling dari garis laser horizontal dan kemudian keakuratan levelling dari garis laser vertikal.

Jika pada pemeriksaan akurasi ternyata hasil pengukuran melebihi ambang batas maksimal, bawa alat pengukur ke Service Center **Bosch** untuk reparasi.

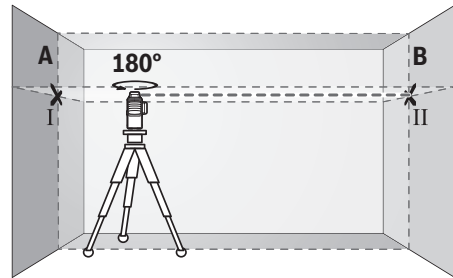
Memeriksa keakuratan levelling horizontal sumbu melintang

Untuk melakukan pemeriksaan, diperlukan jarak kosong sepanjang **5 m** pada permukaan yang stabil di antara dua dinding A dan B.

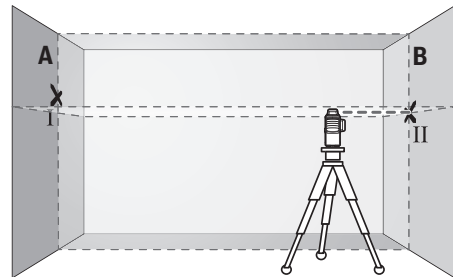
- Pasang alat ukur di dekat dinding A pada tripod atau letakkan pada permukaan yang stabil dan rata. Aktifkan alat ukur pada mode pengoperasian dengan levelling otomatis. Pilih mode pengoperasian yang menghasilkan bidang laser horizontal dan bidang laser vertikal tepat di depan alat ukur.



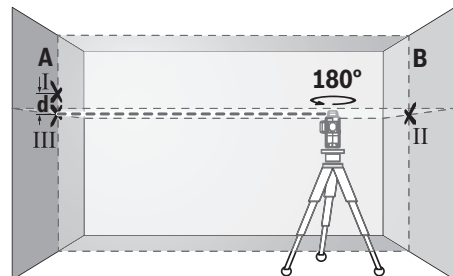
- Bidikkan laser pada dinding A dan biarkan alat ukur melakukan levelling otomatis. Tandai bagian tengah titik di mana garis laser akan saling berpotongan pada dinding (titik I).



- Putar alat ukur sebesar 180° , biarkan alat ukur melakukan levelling otomatis dan tandai titik persimpangan garis laser di dinding B (titik II).
- Letakkan alat ukur tanpa diputar di dekat dinding B, aktifkan alat ukur dan biarkan alat ukur melakukan levelling otomatis.



- Sesuaikan tinggi alat ukur (dengan bantuan tripod atau jika perlu ditopang) sehingga titik perpotongan garis laser tepat menyentuh titik yang ditandai sebelumnya II pada dinding B.



- Putar alat ukur sebesar 180° tanpa mengubah ketinggian. Arahkan alat ukur pada dinding A sehingga sehingga garis laser vertikal melewati titik yang telah ditandai I. Biarkan alat ukur melakukan levelling secara otomatis dan tandai titik persimpangan garis laser di dinding A (titik III).
- Selisih **d** dari kedua titik yang ditandai I dan III pada dinding A memberikan deviasi ketinggian alat ukur yang sebenarnya.

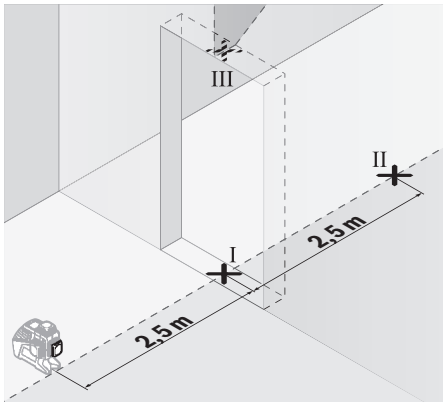
Pada jarak ukur $2 \times 5 \text{ m} = 10 \text{ m}$ selisih maksimal yang diperbolehkan adalah sebesar:

$10 \text{ m} \times \pm 0,2 \text{ mm/m} = \pm 2 \text{ mm}$. Selisih **d** antara titik I dan II hanya diperbolehkan maksimum **2 mm**.

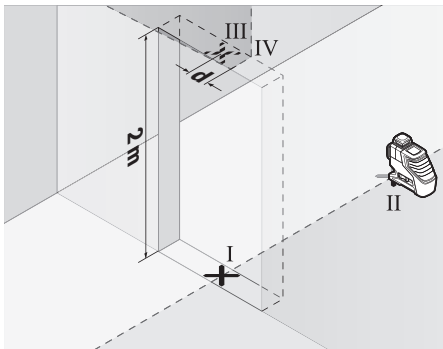
Memeriksa ketelitian levelling garis vertikal

Untuk melakukan pemeriksaan ini diperlukan bukaan pintu dengan setiap sisi pintu minimal 2,5 m.

- Pasang alat ukur pada jarak 2,5 m dari bukaan pintu di atas permukaan yang solid dan datar (tidak di atas tripod). Aktifkan alat ukur pada mode pengoperasian dengan levelling otomatis. Pilih mode pengoperasian yang menghasilkan bidang laser vertikal tepat di depan alat ukur.



- Tandai tengah garis laser vertikal di bagian bawah bukaan pintu (titik I), pada jarak 5 m di sisi lain pada bukaan pintu (titik II) dan di tepi atas bukaan pintu (titik III).



- Putar alat ukur sebesar 180° dan letakkan pada sisi lain dari bukaan pintu tepat di belakang titik II. Biarkan alat ukur melakukan levelling dan sesuaikan garis laser vertikal sehingga titik tengahnya tepat melewati titik I dan II.
- Tandai titik tengah garis laser di bagian atas bukaan pintu sebagai titik IV.
- Selisih d dari kedua titik yang ditandai III dan IV menyatakan deviasi alat ukur untuk garis vertikal.
- Ukur tinggi bukaan pintu.

Ulangi pengukuran untuk bidang laser vertikal yang kedua. Untuk itu, pilih mode pengoperasian yang menghasilkan bidang laser vertikal di sebelah alat ukur, dan putar alat ukur sebesar 90° sebelum memulai proses pengukuran.

Simpangan maksimal yang diperbolehkan dihitung sebagai berikut:

dua kali tinggi bukaan pintu $\times 0,2$ mm/m

contoh: Pada ketinggian bukaan pintu 2 m simpangan

maksimal diperbolehkan sebesar

$2 \times 2 \text{ m} \times \pm 0,2 \text{ mm/m} = \pm 0,8 \text{ mm}$. Titik III dan IV dapat terpisah maksimal sejauh 0,8 mm.

Petunjuk pemakaian

- **Selalu gunakan hanya bagian tengah garis laser untuk menandai.** Lebar garis laser berubah karena jarak.

Bekerja dengan reflektor (alat pemantulan)

Reflektor (alat pemantulan) (24) meningkatkan visibilitas sinar laser dalam kondisi yang tidak menguntungkan dan jarak yang lebih besar.

Permukaan pantul dari reflektor sinar laser (24) akan meningkatkan visibilitas garis laser, garis laser juga dapat terlihat melalui permukaan yang transparan dari bagian belakang reflektor sinar laser.

Bekerja dengan tripod (aksesori)

Tripod memberi posisi pengukuran yang stabil dan dapat diatur tingginya. Letakkan alat ukur dengan dudukan tripod 1/4" (16) pada ulir tripod (28) atau tripod foto pada umumnya. Untuk pemasangan pada tripod konstruksi standar, gunakan dudukan tripod 5/8" (17). Kencangkan alat ukur dengan baut pengencang tripod.

Atur tripod sebelum menghidupkan alat ukur.

Kencangkan dengan braket universal (aksesori) (lihat gambar B)

Dengan bantuan braket universal (21), alat ukur dapat dipasang misalnya pada permukaan vertikal atau material yang dapat dimagnetisasi. Braket universal juga dirancang sebagai tripod lantai dan memudahkan penyetelan ketinggian alat ukur.

- **Jauhkan jari dari bagian belakang aksesoris magnetis saat memasang aksesoris ke permukaan.** Jari dapat terjepit akibat daya tarik magnet yang kuat.

Atur braket universal (21) sebelum mengaktifkan alat ukur.

Bekerja dengan penerima laser (aksesori) (lihat gambar B)

Gunakan penerima laser (25) pada kondisi pencahayaan yang kurang baik (keadaan sekitar yang terlalu terang, paparan sinar matahari langsung) dan pada jarak yang lebar agar garis laser dapat terdeteksi dengan lebih baik. Aktifkan mode receiver (lihat „Mode receiver“, Halaman 59) dengan penerima laser saat melakukan pekerjaan.

Kacamata laser (aksesori)

Kacamata laser berfungsi menyaring sinar yang berada di sekitar. Dengan demikian, sinar laser akan terlihat lebih terang untuk mata.

- **Jangan gunakan kacamata pelihat laser (aksesori) sebagai kacamata pelindung.** Kacamata pelihat laser digunakan untuk mendeteksi sinar laser dengan lebih baik, namun tidak melindungi dari sinar laser.

- ▶ **Jangan gunakan kacamata pelihat laser (aksesori) sebagai kacamata hitam atau di jalan raya.** Kacamata pelihat laser tidak menawarkan perlindungan penuh terhadap sinar UV dan mengurangi persepsi warna.

Contoh penggunaan (lihat gambar A-F)

Contoh penggunaan alat ukur dapat dilihat pada halaman bergambar.

Perawatan dan servis

Perawatan dan pembersihan

Jaga kebersihan alat.

Jangan memasukkan alat pengukur ke dalam air atau cairan lainnya.

Jika alat kotor, bersihkan dengan lap yang lembut dan lembap. Jangan gunakan bahan pembersih atau zat pelarut. Bersihkanlah secara berkala terutama permukaan outlet sinar laser dan pastikan terbebas dari bulu halus.

Hanya simpan dan angkut alat pengukur di dalam tas pelindung (27) atau koper (30).

Letakkan alat pengukur di dalam tas pelindung (27) atau koper (30) jika hendak diperbaiki.

Layanan pelanggan dan konsultasi penggunaan

Layanan pelanggan Bosch menjawab semua pertanyaan Anda tentang reparasi dan perawatan serta tentang suku cadang produk ini. Gambaran teknis (exploded view) dan informasi mengenai suku cadang dapat ditemukan di:

www.bosch-pt.com

Tim konsultasi penggunaan Bosch akan membantu Anda menjawab pertanyaan seputar produk kami beserta aksesorinya.

Jika Anda hendak menanyakan sesuatu atau memesan suku cadang, selalu sebutkan nomor model yang terdiri dari 10 angka dan tercantum pada label tipe produk.

Indonesia

PT Robert Bosch
Palma Tower 10th Floor
Jalan RA Kartini II-S Kaveling 6
Pondok Pinang, Kebayoran Lama
Jakarta Selatan 12310
Tel.: (021) 3005 5800
Fax: (021) 3005 5801
E-Mail: boschpowertools@id.bosch.com
www.bosch-pt.co.id

Alamat layanan lainnya dapat ditemukan di:

www.bosch-pt.com/serviceaddresses

Transpor

Baterai li-ion yang direkomendasikan tunduk pada persyaratan terkait peraturan tentang bahan-bahan yang berbahaya. Baterai dapat diangkut di jalan oleh penggunanya tanpa pembatasan lebih lanjut.

Pada pengiriman oleh pihak ketiga (misalnya transportasi udara atau perusahaan ekspedisi) harus ditaati syarat-syarat

terkait kemasan dan pemberian tanda. Dalam hal ini, diperlukan konsultasi dengan ahli bahan-bahan berbahaya saat mengatur barang pengiriman.

Kirimkan baterai hanya jika housing-nya tidak rusak. Tutup bagian-bagian yang terbuka dan kemas baterai agar tidak bergerak-gerak di dalam kemasan. Taatilah peraturan-peraturan nasional lainnya yang mungkin lebih rinci yang berlaku di negara Anda.

Cara membuang



Alat pengukur, aki/baterai, aksesoris dan kemasan harus disortir untuk pendauran ulang yang ramah lingkungan.



Jangan membuang alat pengukur dan baterai bersama dengan sampah rumah tangga!

Baterai:

Li-Ion:

Perhatikanlah petunjuk-petunjuk dalam bab Transpor (lihat „Transpor“, Halaman 62).

Tiếng Việt

Hướng dẫn an toàn



Phải đọc và chú ý mọi hướng dẫn để đảm bảo an toàn và không bị nguy hiểm khi làm việc với dụng cụ đo.

Khi sử dụng dụng cụ đo không phù hợp với các hướng dẫn ở trên, các

thiết bị bảo vệ được tích hợp trong dụng cụ đo có thể bị suy giảm. Không bao giờ được làm cho các dấu hiệu cảnh báo trên dụng cụ đo không thể đọc được. HÃY BẢO QUẢN CẨN THẬN CÁC HƯỚNG DẪN NÀY VÀ ĐƯA KÈM THEO KHI BẠN CHUYỂN GIAO DỤNG CỤ ĐO.

- ▶ **Thận trọng - nếu những thiết bị khác ngoài thiết bị hiệu chỉnh hoặc thiết bị điều khiển được nêu ở đây được sử dụng hoặc các phương pháp khác được tiến hành, có thể dẫn đến phơi nhiễm phóng xạ nguy hiểm.**
- ▶ **Máy đo được dán nhãn cảnh báo laser (được đánh dấu trong mô tả máy đo ở trang đồ thị).**
- ▶ **Nếu văn bản của nhãn cảnh báo laser không theo ngôn ngữ của bạn, hãy dán chống nhãn dính được cung cấp kèm theo bằng ngôn ngữ của nước bạn lên trên trước khi sử dụng lần đầu tiên.**



Không được hướng tia laze vào người hoặc động vật và không được nhìn vào tia laze trực tiếp hoặc phản

xạ. Bởi vì bạn có thể chiếu lóa mắt người, gây tai nạn hoặc gây hỏng mắt.

- ▶ **Nếu tia laze hướng vào mắt, bạn phải nhắm mắt lại và ngay lập tức xoay đầu để tránh tia laze.**
- ▶ **Không thực hiện bất kỳ thay đổi nào ở thiết bị laser.**
- ▶ **Không sử dụng kính nhìn tia laser (Phụ kiện) làm kính bảo vệ.** Kính nhìn tia laser dùng để nhận biết tốt hơn tia laser; tuy nhiên kính không giúp bảo vệ mắt khỏi tia laser.
- ▶ **Không sử dụng kính nhìn tia laser (Phụ kiện) làm kính mắt hoặc trong giao thông đường bộ.** Kính nhìn tia laser không chống UV hoàn toàn và giảm thiểu thụ cảm màu sắc.
- ▶ **Chỉ để người có chuyên môn được đào tạo sửa dụng cụ đo và chỉ dùng các phụ tùng gốc để sửa chữa.** Điều này đảm bảo cho sự an toàn của dụng cụ đo được giữ nguyên.
- ▶ **Không để trẻ em sử dụng dụng cụ đo laser khi không có người lớn giám sát.** Có thể vô tình làm lóa mắt người khác hoặc làm lóa mắt chính bản thân.
- ▶ **Không làm việc với dụng cụ đo trong môi trường dễ nổ, mà trong đó có chất lỏng, khí ga hoặc bụi dễ cháy.** Các tia lửa có thể hình thành trong dụng cụ đo và có khả năng làm rách cháy hay ngùn khói.
- ▶ **Không được tháo pin ra.** Nguy cơ bị chập mạch.
- ▶ **Trong trường hợp pin bị hỏng hay sử dụng sai cách, hơi nước có thể bốc ra. Pin có thể cháy hoặc nổ.** Hãy làm cho thông thoáng khí và trong trường hợp bị đau phải nhờ y tế chữa trị. Hơi nước có thể gây ngứa hệ hô hấp.
- ▶ **Khi sử dụng sai hoặc khi pin hỏng, dung dịch dễ cháy từ pin có thể tứa ra. Nếu vô tình chạm phải, hãy xối nước để rửa. Nếu dung dịch vào mắt, cần thêm sự hỗ trợ của y tế. Nếu chất lỏng dính vào mắt, yêu cầu ngay sự giúp đỡ của bác sĩ. Dung dịch tiết ra từ pin có thể gây ngứa hay bỏng.**
- ▶ **Pin có thể bị hư hại bởi các vật dụng nhọn như đinh hay tuốc-nơ-vít hoặc bởi các tác động lực từ bên ngoài.** Nó có thể dẫn tới đoản mạch nội bộ và làm pin bị cháy, bốc khói, phát nổ hoặc quá nóng.
- ▶ **Khi không sử dụng pin, để cách xa các vật bằng kim loại như kẹp giấy, tiền xu, chìa khoá, đinh, ốc vít hay các đồ vật kim loại nhỏ khác, thứ có thể tạo sự nối tiếp từ một đầu cực với một đầu cực khác.** Sự chập mạch của các đầu cực với nhau có thể gây bỏng hay cháy.
- ▶ **Chỉ sử dụng pin trong các sản phẩm của nhà sản xuất.** Chỉ bằng cách này, pin sẽ được bảo vệ tránh nguy cơ quá tải.

- ▶ **Chỉ được sạc pin lại với bộ nạp điện do nhà sản xuất chỉ định.** Một bộ nạp điện thích hợp cho một bộ pin nguồn có thể gây nguy cơ cháy khi sử dụng để nạp điện cho một bộ pin nguồn khác.



Bảo vệ pin không để bị làm nóng, ví dụ, chống để lâu dài dưới ánh nắng gay gắt, lửa, chất bẩn, nước, và sự ẩm ướt. Có nguy cơ nổ và chập mạch.



- ▶ **Trước khi tiến hành bất cứ công việc gì với dụng cụ đo (vd., bảo dưỡng, lắp đặt v.v..) cũng như khi vận chuyển hay lưu kho, tháo pin ra khỏi dụng cụ đo.** Có nguy cơ gây thương tích khi vô tình làm kích hoạt công tắc Tắt/Mở.
- ▶ **Khi vận hành máy đo, âm tín hiệu sẽ kêu lớn theo các điều kiện nhất định. Vì thế hãy giữ máy đo cách xa tai mình cũng như người khác.** Âm thanh lớn có thể làm suy giảm thính giác.



Không để dụng cụ đo và phụ kiện từ tính ở gần mô cấy và các thiết bị y tế khác, ví dụ như máy trợ tim hoặc bơm insulin. Từ tính của dụng cụ đo và phụ kiện có thể tạo ra một trường ảnh hưởng xấu đến chức năng của mô cấy và các thiết bị y tế.

- ▶ **Để dụng cụ đo và phụ kiện từ tính tránh xa các phương tiện như từ tính và các thiết bị nhạy từ.** Ảnh hưởng của từ tính từ dụng cụ đo và phụ kiện có thể gây mất dữ liệu không phục hồi được.
- ▶ **Máy đo được trang bị một giao diện sóng vô tuyến. Hãy chú ý các giới hạn địa điểm hoạt động ví dụ như trên máy bay hoặc bệnh viện.**

Biểu tượng chữ Bluetooth® cũng như biểu tượng ảnh (các logo) do công ty cổ phần Bluetooth SIG đăng ký nhân hiệu và sở hữu. Công ty trách nhiệm hữu hạn Robert Bosch Power Tools GmbH đã được cấp phép để sử dụng những biểu tượng chữ/biểu tượng ảnh này với sản phẩm của mình.

- ▶ **Cẩn thận! Nếu sử dụng máy đo với công nghệ Bluetooth® có thể gây nhiễu các dụng cụ, thiết bị khác cũng như máy bay và dụng cụ y tế (ví dụ: máy tạo nhịp tim, máy trợ thính). Và cũng không thể loại trừ hoàn toàn những tổn hại cho người và động vật ở môi trường trực diện xung quanh. Không sử dụng máy đo có kết nối Bluetooth® ở gần những thiết bị y tế, trạm xăng, cơ sở hóa học, các khu vực có nguy cơ gây nổ và các khu vực cháy nổ. Không sử dụng máy đo có kết nối Bluetooth® trên máy bay. Tránh để máy hoạt động gần cơ thể trong thời gian dài.**

Mô Tả Sản Phẩm và Đặc Tính Kỹ Thuật

Xin lưu ý các hình minh hoạt trong phần trước của hướng dẫn vận hành.

Sử dụng đúng cách

Dụng cụ đo được thiết kế để xác định và kiểm tra các vạch ngang và dọc.

Dụng cụ đo phù hợp để sử dụng trong vùng bên ngoài và bên trong.

Các bộ phận được minh họa

Sự đánh số các biểu trưng của sản phẩm là để tham khảo hình minh họa dụng cụ đo trên trang hình ảnh.

- (1) Cửa chiếu luồng laser
- (2) Tình trạng nạp ắc quy/pin
- (3) Hiển thị cơ cấu khóa con lắc
- (4) Nút Chế độ bộ thu
- (5) Hiển thị Chế độ bộ thu
- (6) Nút chế độ vận hành Laser
- (7) Hiển thị kết nối bằng *Bluetooth*[®]
- (8) Nút *Bluetooth*[®]
- (9) Cổng bộ nguồn
- (10) Vỏ đầu nối ắc quy^{a)}

- (11) Bộ nguồn^{a)}
- (12) Nút mở khóa đầu nối pin/ắc quy^{a)}
- (13) Đầu chụp của đầu nối ắc quy^{a)}
- (14) Pin^{a)}
- (15) Công tắc bật/tắt
- (16) Điểm nhận giá đỡ ba chân 1/4"
- (17) Điểm nhận giá đỡ ba chân 5/8"
- (18) Mã seri sản xuất
- (19) Nhãn cảnh báo laser
- (20) Nam châm^{a)}
- (21) Giá giữ thông dụng^{a)}
- (22) Đế xoay^{a)}
- (23) Thiết bị điều khiển từ xa^{a)}
- (24) Bảng đích tia laser^{a)}
- (25) Bộ thu laser^{a)}
- (26) Kính nhìn tia laser^{a)}
- (27) Túi xách bảo vệ^{a)}
- (28) Giá đỡ ba chân^{a)}
- (29) Cây chống^{a)}
- (30) Cốp xe^{a)}
- (31) Tấm lót^{a)}

a) Phụ tùng được trình bày hay mô tả không phải là một phần của tiêu chuẩn hàng hóa được giao kèm theo sản phẩm. Bạn có thể tham khảo tổng thể các loại phụ tùng, phụ kiện trong chương trình phụ tùng của chúng tôi.

Thông số kỹ thuật

Máy laser đường vạch	GLL 3-80 CG
Mã hàng	3 601 K63 U..
Phạm vi làm việc (Bán kính) ^{A)}	
– Với tia tiêu chuẩn	30 m
– Với chế độ bộ thu	25 m
– Với thiết bị nhận tia laser	5–120 m
Cốt thủy chuẩn chính xác ^{B)C)D)}	±0,2 mm/m
Phạm vi tự lấy cốt	±4°
Thời gian lấy cốt thủy chuẩn	< 4 s
Chiều cao ứng dụng tối đa qua chiều cao tham chiếu	2000 m
Độ ẩm không khí tương đối tối đa	90 %
Mức độ ồn theo IEC 61010-1	2 ^{E)}
Cấp độ Laser	2
Loại Laser	500–540 nm, < 10 mW
C _s	10
Phân kỳ Tia laser	50 × 10 mrad (Góc đầy)
Thời gian ngắn nhất của xung động	1/10000 s
Tần số xung	
– Vận hành không chế độ bộ thu	13 kHz

Máy laser đường vạch	GLL 3-80 CG
– Vận hành trong chế độ bộ thu	10 kHz
Bộ thu laser tương thích	LR7
Điểm nhận giá đỡ ba chân	1/4", 5/8"
Bộ nguồn	
– Pin hợp khối (Li-Ion)	10,8 V/12 V
– Pin (kiềm-mangan)	4 × 1,5 V LR6 (AA) (với bộ thích nghi pin)
Thời gian vận hành với 3 mức laser ^{F)}	
– Với loại pin	6 h
– Với pin	4 h
Dụng cụ đo <i>Bluetooth</i> [®]	
– Tính tương thích	<i>Bluetooth</i> [®] 4.0 (Low Energy) ^{G)}
– Phạm vi tín hiệu, tối đa	30 m ^{H)}
– Dải tần số hoạt động	2402–2480 MHz
– Năng suất truyền tối đa	< 1 mW
<i>Bluetooth</i> [®] Smartphone	
– Tính tương thích	<i>Bluetooth</i> [®] 4.0 (Low Energy) ^{G)}
– Hệ điều hành	Android 6 (và cao hơn) iOS 11 (và cao hơn)
Trọng lượng theo Qui trình EPTA-Procedure 01:2014	
– Với loại pin	0,90 kg
– Với pin	0,86 kg
Kích thước (chiều dài × rộng × cao)	162 × 84 × 148 mm
Mức độ bảo vệ ^{I)}	IP54 (được bảo vệ chống bụi và tia nước)
Nhiệt độ môi trường được khuyến nghị khi sạc	0 °C ... +35 °C
Nhiệt độ môi trường cho phép khi vận hành	–10 °C ... +40 °C
Nhiệt độ môi trường cho phép khi lưu trữ	–20 °C ... +70 °C
Pin được khuyến dùng	GBA 10,8V... GBA 12V... (ngoài GBA 12 V ≥ 4,0 Ah)
Thiết bị nạp được giới thiệu	GAL 12... GAX 18...

A) Phạm vi làm việc có thể được giảm thông qua các điều kiện môi trường không thuận lợi (ví dụ như tia mặt trời chiếu trực tiếp).

B) ở 20–25 °C

C) Hợp lệ tại bốn giao điểm ngang.

D) Điều kiện là các giá trị đã đặt từ bình thường đến các điều kiện xung quanh phù hợp (ví dụ không rung, không sương mù, không khói, không tia cực tím trực tiếp). Sau khi có dao động nhiệt độ mạnh, có thể dẫn đến sai lệch độ chính xác.

E) Chỉ có chất bán không dẫn xuất hiện, nhưng đôi khi độ dẫn điện tạm thời gây ra do ngưng tụ.

F) thời gian vận hành ngắn ở chế độ *Bluetooth*[®] và/hoặc khi kết nối với RM 3

G) Với các thiết bị *Bluetooth*[®] tiêu thụ năng lượng thấp, tùy thuộc vào model và hệ điều hành, có thể không cần các thiết lập kết nối. Các thiết bị *Bluetooth*[®] phải có tính năng hỗ trợ SPP profile.

H) Phạm vi có thể biến đổi mạnh tùy thuộc vào điều kiện bên ngoài, bao gồm thiết bị thu nhận được dùng. Trong các phòng kín và qua các rào chắn kim loại (ví dụ tường, giá, va li, v.v.) phạm vi *Bluetooth*[®] có thể nhỏ hơn.

I) Pin Li-Ion và bộ thích nghi pin AA1 được loại khỏi IP54.

Số xêri (18) đều được ghi trên nhãn mác, để dễ dàng nhận dạng loại máy đo.

Sự lắp vào

Nuôn năng lượng cho dụng cụ đo

Dụng cụ đo có thể hoạt động bằng các loại pin thông thường hay với pin hợp khối Li-Ion hiệu Bosch.

Hoạt Động bằng Pin Hợp Khối

- ▶ **Chỉ sử dụng bộ sạc được đề cập trong dữ liệu kỹ thuật.** Chỉ những thiết bị nạp này phù hợp cho máy đo của bạn có sử dụng pin Li-Ion.

Hướng dẫn: Pin Lithium-ion được giao một phần do các quy định vận tải quốc tế. Để bảo đảm đầy đủ điện dung, nạp điện hoàn toàn lại cho pin trước khi sử dụng cho lần đầu tiên.

Để **lắp** pin đã nạp hãy (14) đẩy nó vào ngăn pin (9), cho đến khi khớp vào.

Để **tháo** pin (14), hãy nhấn Phím mở khóa (12) và kéo pin ra khỏi khe pin (9). **Không dùng sức.**

Hoạt Động bằng Pin Thường

Khuyến nghị sử dụng các pin kiềm mangan để vận hành dụng cụ đo.

Pin phải được lắp vào đầu nối pin.

- ▶ **Bộ thích nghi pin hoàn toàn dùng để sử dụng trong các dụng cụ đo của Bosch và không được phép sử dụng cùng với dụng cụ điện tử.**

Để **lắp** pin, hãy đẩy vỏ (10) của đầu nối pin vào khe pin (9). Hãy cài pin vào vỏ theo hình minh họa trên đầu chụp (13). Đẩy đầu chụp lên trên vỏ đến khi nó được gài vào khớp.



Để **tháo** pin (11) hãy nhấn phím mở khóa (12) của đầu chụp (13) và kéo đầu chụp ra. Đảm bảo là pin không bị rơi xuống. Hãy giữ máy đo để khe pin (9) hướng lên trên. Tháo pin ra. Để tháo vỏ nằm bên trong (10) ra khỏi khe pin, nắm chặt vào vỏ và kéo nó ra với một lực vừa phải về một phía của máy đo.

Luôn luôn thay tất cả pin cùng một lần. Chỉ sử dụng pin cùng một hiệu và có cùng một điện dung.

- ▶ **Tháo ắc quy ra khỏi dụng cụ đo nếu bạn không muốn sử dụng thiết bị trong thời gian dài.** Pin có thể hư mòn sau thời gian bảo quản lâu trong dụng cụ đo và tự xả điện.

Bộ Chỉ Báo Tình Trạng Pin

Đèn chỉ thị trạng thái nạp (2) hiển thị trạng thái nạp của pin hoặc ắc quy:

LED	Trạng thái nạp
Đèn sáng liên tục màu xanh lá	100–75 %
Đèn sáng liên tục màu vàng	75–35 %
Đèn sáng liên tục màu đỏ	35–10 %
Không có Ánh sáng	– Pin bị hỏng – Hết pin

Nếu pin hoặc ắc quy yếu, độ sáng của các tia laser bị giảm chậm.

Thay ắc quy bị hỏng hoặc pin cạn ngay.

Vận Hành

Bắt Đầu Vận Hành

- ▶ **Bảo vệ dụng cụ đo tránh khỏi ẩm ướt và không để bức xạ mặt trời chiếu trực tiếp vào.**
- ▶ **Không cho dụng cụ đo tiếp xúc với nhiệt độ khác nghiệt hoặc dao động nhiệt độ.** Không để nó trong chế độ tự động quá lâu. Hãy cho điều chỉnh nhiệt độ cho dụng cụ đo khi dao động nhiệt độ lớn và luôn tiến hành kiểm tra độ chính xác trước khi làm việc tiếp (xem „Kiểm tra độ chính xác của dụng cụ đo“, Trang 68). Trong trường hợp ở trạng thái nhiệt độ cực độ hay nhiệt độ thay đổi thái quá, sự chính xác của dụng cụ đo có thể bị hư hỏng.
- ▶ **Tránh va chạm mạnh hoặc làm rơi dụng cụ đo.** Sau khi có tác động mạnh từ bên ngoài lên dụng cụ đo, cần tiến hành kiểm tra độ chính xác trước khi tiếp tục (xem „Kiểm tra độ chính xác của dụng cụ đo“, Trang 68).
- ▶ **Hãy tắt dụng cụ đo, khi bạn vận chuyển.** Khi tắt máy, bộ phận lấy cốt thủy chuẩn được khóa lại, bộ phận này có thể bị hư hỏng trong trường hợp bị di chuyển cực mạnh.

Bật Mở và Tắt

Để **bật** dụng cụ đo, hãy trượt nút bật/tắt (15) vào vị trí „On“ (để vận hành với cơ cấu khóa con lắc)

hoặc vào vị trí „On“ (để vận hành với chức năng lấy cốt thủy chuẩn tự động). Dụng cụ đo gửi đi ngay lập tức sau khi bật các tia laser từ các lỗ xả (1).

- ▶ **Không được chĩa luồng laze vào con người hay động vật và không được tự chính bạn nhìn vào luồng laze, ngay cả khi từ một khoảng cách lớn.**

Để **tắt** máy đo hãy trượt nút bật/tắt (15) ở vị trí **Off**. Khi tắt, trạm con lắc được khóa.

- ▶ **Không cho phép dụng cụ đo đang bật một cách không kiểm soát và hãy tắt dụng cụ đo sau khi sử dụng.** Tia laser có thể chiếu vào những người khác.

Nếu vượt quá nhiệt độ cao nhất cho phép là 40 °C, dụng cụ sẽ tắt để bảo vệ di-ốt laser. Sau khi nguội trở lại, dụng cụ đo ở trạng thái sẵn sàng hoạt động và ta có thể mở máy để hoạt động trở lại.

Nếu nhiệt độ của dụng cụ đo gần với nhiệt độ vận hành cao nhất cho phép, độ sáng của các tia laser bị giảm chậm.

Dụng cụ đo được bảo vệ chống phóng tĩnh điện quá mức (ESD). Nếu dụng cụ đo được sạc tĩnh điện (ví dụ như chạm trong môi trường có độ ẩm thấp), nó sẽ tự động tắt. Trong trường hợp này, hãy tắt công tắc bật/tắt (15) và bật lại.

Khử Hoạt Chức Năng Tắt Tự Động

Nếu khoảng 120 phút mà không phím nào ở dụng cụ đo được nhấn, dụng cụ đo sẽ tự động ngắt để bảo vệ pin hoặc ắc quy.

Để bật lại dụng cụ đo sau khi ngắt tự động, bạn có thể đẩy nút bật/tắt (15) vào vị trí "Off" và bật lại dụng cụ đo, hoặc nhấn nút kiểu vận hành laser (6) hoặc nút chế độ bộ thu (4).

Để tắt chế độ tự động ngắt, bạn hãy giữ phím kiểu vận hành laser (6) (khi đang bật dụng cụ đo) trong ít nhất 3 giây. Nếu tự động tắt khử kích hoạt, tia laser sẽ nhấp nháy nhanh để xác nhận.

Để kích hoạt chức năng tắt tự động, tắt dụng cụ đo và sau đó mở lên lại.

Khử Hoạt Tín Hiệu Âm Thanh

Sau khi mở điện để dụng cụ đo hoạt động, tín hiệu âm thanh luôn được kích hoạt theo mặc định.

Để bỏ kích hoạt hoặc kích hoạt âm tín hiệu hãy nhấn đồng thời nút kiểu vận hành laser (6) và nút chế độ bộ thu (4) và nhấn giữa ít nhất 3 giây.

Cả hai sự cho tín hiệu âm thanh hoạt động và không hoạt động được xác nhận bằng ba tiếng bíp ngắn.

Chế độ hoạt động

Dụng cụ đo có một vài chức năng hoạt động mà bạn có thể chuyển đổi qua lại bất cứ khi nào, các chức năng này dùng cho:

- Tạo ra một mức laze ngang,
- Tạo một mặt phẳng laze nằm thẳng đứng,
- Tạo hai mặt phẳng laze nằm thẳng đứng,
- Tạo ra một mức laze ngang cũng như hai mức laser dọc.

Sau khi bật dụng cụ đo sẽ tạo ra một mức laser ngang. Để chuyển chế độ hoạt động, hãy ấn nút kiểu vận hành laser (6).

Tất cả chế độ hoạt động đều có thể được chọn với Chế độ tự động cân bằng và với cơ cấu khóa con lắc.

Chế độ bộ thu

Để làm việc với bộ thu tia laser (25) phải được kích hoạt độc lập với kiểu vận hành đã chọn chế độ bộ thu.

Trong chế độ bộ thu các tia laser nhấp nháy với tần số cao và có thể phát hiện được cho bộ thu tia laser (25).

Hãy nhấn phím Chế độ bộ thu (4) để bật chế độ bộ thu. Hiện thị Chế độ bộ thu (5) phát sáng màu xanh lá.

Độ rõ của tia laser phải được giảm phù hợp với mắt người khi bật chế độ bộ thu. Khi làm việc không có bộ thu laser bạn cần tắt chế độ bộ thu bằng cách nhấn nút Chế độ bộ thu (4). Hiện thị Chế độ bộ thu (5) tắt.

Lấy Cốt Thủy Chuẩn Tự Động

Vận Hành với Chức Năng Lấy Cốt Thủy Chuẩn Tự Động

Bạn hãy đặt máy đo lên một mặt nền cố định, nằm ngang hoặc cố định máy trên giá đỡ đa năng (21) hoặc giá đỡ ba chân (28).

Bạn hãy trượt nút bật/tắt vào (15) vào vị trí "On" để làm việc với tự động cân bằng.

Chế độ tự động cân bằng sẽ tự động điều chỉnh bằng phẳng trong phạm vi tự cân bằng từ $\pm 4^\circ$. Việc cân bằng được hoàn tất, ngay khi các tia laser không còn bị di chuyển.

Nếu việc cân bằng tự động là không thể, ví dụ vì mặt phẳng để dụng cụ đo lệch theo phương nằm ngang nhiều hơn 4° , các tia laser sẽ bắt đầu nhấp nháy nhanh. Đối với âm tín hiệu được kích hoạt, thì tín hiệu âm sẽ phát ra ở nhịp nhanh.

Bạn hãy đặt máy đo nằm ngang và chờ tự cân bằng. Ngay khi máy đo ở bên trong phạm vi tự cân bằng $\pm 4^\circ$, các tia laser phát sáng ổn định và âm tín hiệu được tắt.

Khi có rung động hoặc thay đổi vị trí trong lúc vận hành, máy đo sẽ tự động cân bằng trở lại. Sau khi tự cân bằng lại, hãy kiểm tra vị trí vạch laze ở phương thẳng đứng hoặc nằm ngang để tránh lỗi do di chuyển dụng cụ đo.

Vận Hành với cơ cấu khóa con lắc

Bạn hãy trượt nút bật/tắt vào (15) vào vị trí "On" để làm việc với cơ cấu khóa con lắc. Hiện thị cơ cấu khóa con lắc (3) bật sáng màu đỏ và tia laser nhấp nháy liên tục theo nhịp chậm.

Khi vận hành với cơ cấu khóa con lắc, chế độ tự động cân bằng được tắt. Bạn có thể tự do cầm dụng cụ đo theo mọi cách trong tay hay đặt trên một bề mặt nghiêng. Các đường laze không còn được cân bằng và không còn hoạt động theo chiếu thẳng đứng đối xứng nhau nữa.

Điều khiển từ xa qua "Bosch Levelling Remote App"

Dụng cụ đo được trang bị mô-đun *Bluetooth*[®], sẽ cho phép điều khiển từ xa qua một Smartphone bằng giao diện *Bluetooth*[®] nhờ công nghệ không dây.

Để sử dụng chức năng này cần có ứng dụng (App) "Bosch Levelling Remote App". Bạn có thể tải về ứng dụng này tùy theo thiết bị đầu cuối trong kho ứng dụng tương ứng (Apple App Store, Google Play Store).

Các thông tin về điều kiện hệ thống cần thiết cho việc kết nối *Bluetooth*[®] có thể tìm thấy trên trang Web của Bosch theo địa chỉ www.bosch-pt.com. Khi điều khiển từ xa qua *Bluetooth*[®], sẽ xuất hiện một khoảng thời gian chậm trễ giữa thiết bị đầu cuối di động và dụng cụ đo do điều kiện tiếp nhận không tốt.

Bật Bluetooth®

Để bật *Bluetooth*® của điều khiển từ xa hãy nhấn nút *Bluetooth*® (8). Hãy chắc chắn rằng, giao diện *Bluetooth*® trên thiết bị di động đầu cuối của bạn đã được kích hoạt.

Sau khi khởi động ứng dụng Bosch, hãy thiết lập kết nối giữa thiết bị đầu cuối và máy đo. Nếu có kết quả cho nhiều lựa chọn, hãy chọn máy đo phù hợp nhất với yêu cầu. Nếu kết quả chỉ cho một lựa chọn, việc thiết lập kết nối sẽ tự động được thực hiện.

Kết nối được thiết lập, ngay khi hiển thị *Bluetooth*® (7) chiếu sáng.

Kết nối *Bluetooth*® có thể bị ngắt do khoảng cách xa hoặc do các vật cản giữa dụng cụ đo và thiết bị đầu cuối di động cũng như do nguồn nhiễu điện từ. Trong trường hợp này hiển thị *Bluetooth*® (7) sẽ nhấp nháy.

Tắt Bluetooth®

Để tắt *Bluetooth*® của điều khiển từ xa hãy nhấn nút *Bluetooth*® (8) hoặc tắt dụng cụ đo.

Kiểm tra độ chính xác của dụng cụ đo

Những Ảnh Hưởng Đến độ Chính xác

Nhiệt độ chung quanh có ảnh hưởng lớn nhất. Đặc biệt là sự sai biệt của nhiệt độ xảy ra từ mặt đất hướng lên có thể làm lệch hướng luồng laze.

Để giảm thiểu ảnh hưởng nhiệt do nhiệt bốc lên từ sàn nhà, bạn nên sử dụng dụng cụ đo trên giá ba chân. Nếu có thể, cũng nên đặt dụng cụ đo vào chính giữa khu vực làm việc.

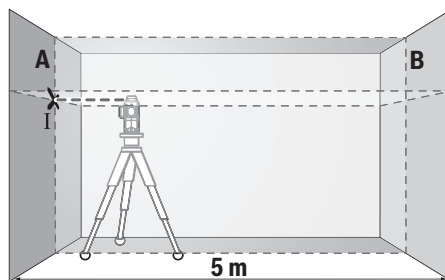
Bên cạnh các tác động ngoài, các tác động ảnh hưởng trực tiếp tới thiết bị (như rơi hoặc va đập mạnh) có thể gây ra các sai lệch. Do đó, hãy kiểm tra mức độ chính xác trước khi bắt đầu công việc. Trước tiên bạn hãy kiểm tra độ chính xác cân bằng của tia laser nằm ngang, sau đó là của tia nằm dọc.

Nếu giả như dụng cụ đo lệch hướng vượt mức tối đa tại một trong những lần kiểm tra, xin vui lòng mang đến trạm phục vụ hàng đã bán của **Bosch** để được sửa chữa.

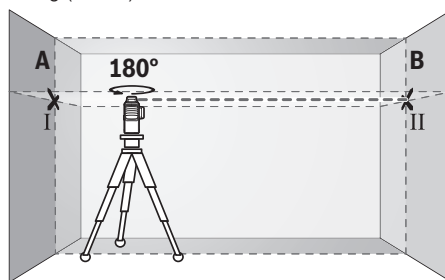
Kiểm Tra Cốt Thủy Chuẩn Ngang Chính Xác của Trục Cảnh Bên

Để kiểm tra, bạn cần một đoạn đo thoáng dài 5 m trên mặt nền vững chắc giữa tường A và B.

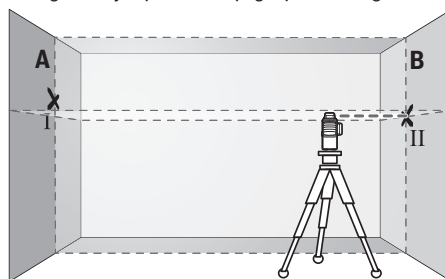
- Lắp đặt máy trên Giá đỡ ba chân cạnh bức tường A, hoặc đặt trên một nền đất bằng phẳng, chắc chắn. Bạn hãy bật máy đo vận hành với tự động cân bằng. Hãy chọn chế độ vận hành, mà trong đó mức laser ngang cũng như mức laser được tạo ra ở phía trước dụng cụ đo.



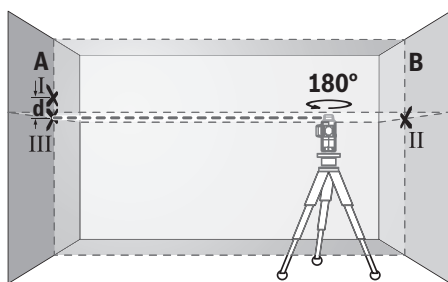
- Hướng thẳng luồng laze vào tường A gần bên và để dụng cụ đo chiếu vào. Đánh dấu điểm giữa của điểm giao nhau của các tia laser trên bức tường (điểm I).



- Hãy xoay dụng cụ đo 180°, để dụng cụ đo cân bằng và đánh dấu điểm giao nhau của tia laser ở tường đối diện B (điểm II).
- Hãy đặt dụng cụ đo – mà không xoay – gần tường B, hãy bật và để dụng cụ cân bằng.



- Hãy căn chỉnh dụng cụ đo ở mức độ cao (nhờ giá đỡ ba chân hoặc bằng cách đặt xuống dưới nếu cần) sao cho điểm giao nhau của tia laser gặp điểm đã đánh dấu trước đó II trên tường B.



- Xoay dụng cụ đo 180° mà không thay đổi chiều cao. Hãy hướng nó lên tường A sao cho tia laser dọc chạy qua điểm đã đánh dấu I. Hãy để dụng cụ đo cân bằng và đánh dấu điểm giao nhau của tia laser trên tường A (điểm III).
- Sự chênh lệch d của cả hai điểm đã đánh dấu I và III trên tường A dẫn đến lệch chiều cao thực tế của dụng cụ đo.

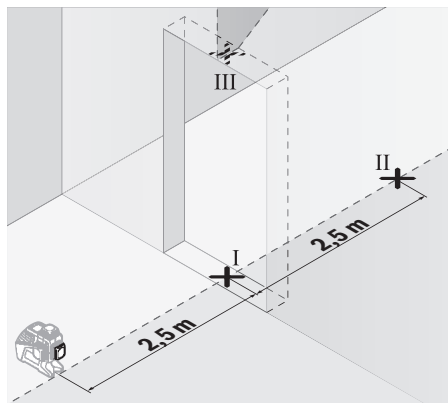
Trên quãng đo $2 \times 5 \text{ m} = 10 \text{ m}$ độ lệch tối đa cho phép là:

$10 \text{ m} \times \pm 0,2 \text{ mm/m} = \pm 2 \text{ mm}$. Chênh lệch d giữa điểm I và II được phép cao nhất là 2 mm .

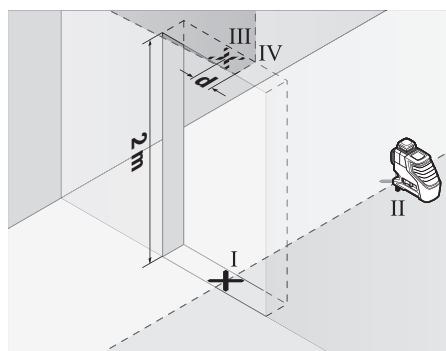
Kiểm Tra Cốt Thủy Chuẩn Chính Xác của các Đường Laze Thẳng Đứng

Đối với kiểm tra loại này, khung cửa trống cần mỗi bên cửa rộng ít nhất là $2,5 \text{ m}$ (trên một bề mặt ổn định).

- Dụng máy cách cửa mở $2,5 \text{ m}$ trên nền bằng phẳng, vững chắc (không dựng trên giá ba chân). Bạn hãy bật máy đo vận hành với tự động cân bằng. Hãy chọn chế độ vận hành, mà trong đó mức laser dọc được tạo ra ở phía trước dụng cụ đo.



- Hãy đánh dấu điểm giữa của tia laser dọc trên sàn của khung cửa trống (điểm I), ở khoảng cách 5 m ở phía còn lại của khung cửa trống (điểm II) cũng như ở mép trên của khung cửa trống (điểm III).



- Hãy xoay dụng cụ đo 180° và đặt nó trên phía còn lại của khung cửa trống ngay sau điểm II. Hãy để dụng cụ đo cân bằng và hướng tia laser dọc sao cho điểm giữa của nó chạy qua điểm I và II.
- Hãy đánh dấu điểm giữa của tia laser trên mép của khung cửa trống làm điểm IV.
- Sự chênh lệch d của cả hai điểm đã đánh dấu III và IV dẫn đến độ lệch thực tế của dụng cụ đo so với phương thẳng đứng.
- Đo chiều cao của khung cửa trống.

Lập lại qui trình đo cho mặt phẳng thẳng đứng thứ hai. Hãy chọn chế độ vận hành, mà trong đó mức laser dọc bên cạnh dụng cụ được tạo ra, và xoay dụng cụ đo 90° trước khi bắt đầu quá trình đo.

Hãy tính độ lệch cho phép tối đa như sau:

hai lần chiều cao của cửa mở $\times 0,2 \text{ mm/m}$

Ví dụ: Khi chiều cao của cửa mở là 2 m , độ chênh lệch tối đa là

$2 \times 2 \text{ m} \times \pm 0,2 \text{ mm/m} = \pm 0,8 \text{ mm}$. Các điểm III và IV được phép cách nhau nhiều nhất là $0,8 \text{ mm}$.

Hướng Dẫn Sử Dụng

- **Chỉ sử dụng điểm giữa của tia laser để đánh dấu.** Chiều rộng của tia laser thay đổi cùng với khoảng cách.

Sử dụng cùng với tấm cọc tiêu laze

Bảng đích laze (24) cải thiện độ rõ của tia laser ở những điều kiện không phù hợp và ở khoảng cách lớn.

Bề mặt phản chiếu của bảng đích laser (24) cải thiện độ rõ của tia laser, thông qua bề mặt trong suốt, tia laser của mặt sau bảng đích laser cũng có thể được phát hiện.

Sử dụng giá đỡ ba chân (phụ kiện)

Giá đỡ ba chân cung cấp khả năng đo ổn định và linh hoạt. Đặt dụng cụ đo có khung giá ba chân $1/4"$ (16) lên ren của giá đỡ ba chân (28) hoặc của một giá đỡ ba chân của máy ảnh thông thường. Để gắn vào giá đỡ ba chân thông thường hãy dùng điểm nhận giá đỡ ba chân $5/8"$ (17). Siết chặt dụng cụ đo bằng vít định vị của giá đỡ ba chân.

Điều chỉnh sơ giá đỡ trước khi cho dụng cụ đo hoạt động.

Hãy gắn với thiết bị giữ thông dụng (Phụ kiện) (xem hình B)

Nhờ thiết bị giữ thông dụng (21) bạn có thể gắn dụng cụ đo, ví dụ trên bề mặt thẳng đứng hoặc các vật liệu từ hóa được. Bộ đỡ phổ thông cũng có thể sử dụng thích hợp như giá đỡ đặt trên mặt đất và làm cho việc điều chỉnh độ cao của dụng cụ đo được dễ dàng hơn.

- ▶ **Hãy giữ ngón tay cách xa mặt sau của phụ kiện từ, nếu bạn gắn phụ kiện trên bề mặt.** Do lực kéo mạnh của nam châm ngón tay của bạn có thể bị kẹt.

Điều chỉnh sơ thiết bị giữ thông dụng (21) trước khi cho dụng cụ đo hoạt động.

Làm việc với bộ thu laser (Phụ kiện) (xem hình B)

Khi điều kiện ánh sáng không thuận lợi (vùng xung quanh sáng, ánh nắng mặt trời trực tiếp) và khoảng cách xa, bạn hãy sử dụng bộ thu laser để phát hiện tia laser tốt hơn (25). Hãy bật chế độ bộ thu (xem „Chế độ bộ thu“, Trang 67) khi làm việc với bộ thu laser.

Kính nhìn laser (phụ kiện)

Kính nhìn laser sẽ lọc nguồn ánh sáng xung quanh. Do đó ánh sáng của laser sẽ sáng hơn đối với mắt.

- ▶ **Không sử dụng kính nhìn tia laser (Phụ kiện) làm kính bảo vệ.** Kính nhìn tia laser dùng để nhận biết tốt hơn tia laser; tuy nhiên kính không giúp bảo vệ mắt khỏi tia laser.
- ▶ **Không sử dụng kính nhìn tia laser (Phụ kiện) làm kính mát hoặc trong giao thông đường bộ.** Kính nhìn tia laser không chống UV hoàn toàn và giảm thiểu thụ cảm màu sắc.

Công việc theo Thí dụ (Xem Hình ảnh A-F)

Các ứng dụng mẫu cho dụng cụ đo có thể tra cứu trên các trang hình ảnh.

Bảo Dưỡng và Bảo Quản

Bảo Dưỡng Và Làm Sạch

Luôn luôn giữ cho dụng cụ đo thật sạch sẽ.

Không được nhúng dụng cụ đo vào trong nước hay các chất lỏng khác.

Lau sạch bụi bẩn bằng một mảnh vải mềm và ẩm. Không được sử dụng chất tẩy rửa.

Thường xuyên lau sạch bề mặt các cửa chiếu laser một cách kỹ lưỡng, và lưu ý đến các tựa vải hay sợi chỉ.

Chỉ bảo quản và vận chuyển dụng cụ đo trong túi bảo vệ (27) hoặc hộp đựng (30).

Trong trường hợp cần sửa chữa, hãy gửi dụng cụ đo trong túi bảo vệ (27) hoặc hộp đựng (30).

Dịch vụ hỗ trợ khách hàng và tư vấn sử dụng

Bộ phận phục vụ hàng sau khi bán của chúng tôi trả lời các câu hỏi liên quan đến việc bảo dưỡng và sửa chữa các sản phẩm cũng như phụ tùng thay thế của bạn. Sơ đồ mô tả và thông tin về phụ tùng thay thế cũng có thể tra cứu theo dưới đây:

www.bosch-pt.com

Đội ngũ tư vấn sử dụng của Bosch sẽ giúp bạn giải đáp các thắc mắc về sản phẩm và phụ kiện.

Trong tất cả các phản hồi và đơn đặt phụ tùng, xin vui lòng luôn luôn nhập số hàng hóa 10 chữ số theo nhãn của hàng hóa.

Việt Nam

CN CÔNG TY TNHH BOSCH VIỆT NAM TẠI TP.HCM

Tầng 14, Ngôi Nhà Đức, 33 Lê Duẩn
Phường Bến Nghé, Quận 1, Thành Phố Hồ Chí Minh

Tel.: (028) 6258 3690

Fax: (028) 6258 3692 - 6258 3694

Hotline: (028) 6250 8555

Email: tuvankhachhang-pt@vn.bosch.com

www.bosch-pt.com.vn

www.baohanhbosch-pt.com.vn

Xem thêm địa chỉ dịch vụ tại:

www.bosch-pt.com/serviceaddresses

Vận chuyển

Pin Li-Ion được khuyến nghị là đối tượng phải tuân theo các quy định của Pháp Luật về Hàng Hóa Nguy Hiểm. Người sử dụng có thể vận chuyển pin hợp khối bằng đường bộ mà không cần thêm yêu cầu nào khác.

Khi được vận chuyển thông qua bên thứ ba (vd. vận chuyển bằng đường hàng không hay đại lý giao nhận), phải tuân theo các yêu cầu đặc biệt về đóng gói và dán nhãn. Phải tham vấn chuyên gia về hàng hóa nguy hiểm khi chuẩn bị gói hàng.

Chỉ gửi pin hợp khối khi vỏ ngoài không bị hư hỏng. Dán băng keo hay che kín các điểm tiếp xúc hở và đóng gói pin hợp khối theo cách sao cho pin không thể xô dịch khi nằm trong bao bì. Ngoài ra, xin vui lòng chấp hành các quy định chi tiết có thể được bổ sung thêm của quốc gia.

Sự thải bỏ



Máy đo, ắc quy/pin, phụ kiện và bao bì cần được tái sử dụng theo quy định về môi trường.



Không vứt dụng cụ đo và pin/ắc quy cùng trong rác thải của gia đình!

Pin:

Li-ion:

Tuân thủ những hướng dẫn trong phần vận chuyển
(xem „Vận chuyển“, Trang 70).

Licenses

Copyright © 2012–2020 STMicroelectronics

All rights reserved.

Redistribution and use in source and binary forms, with or without modification, are permitted provided that the following conditions are met:

- Redistributions of source code must retain the above copyright notice, this list of conditions and the following disclaimer.
- Redistributions in binary form must reproduce the above copyright notice, this list of conditions and the following disclaimer in the documentation and/or other materials provided with the distribution.
- Neither the name of STMicroelectronics nor the names of its contributors may be used to endorse or promote products derived from this software without specific prior written permission.

THIS SOFTWARE IS PROVIDED BY THE COPYRIGHT HOLDERS AND CONTRIBUTORS "AS IS" AND ANY EXPRESS OR IMPLIED WARRANTIES, INCLUDING, BUT NOT LIMITED TO, THE IMPLIED WARRANTIES OF MERCHANTABILITY AND FITNESS FOR A PARTICULAR PURPOSE ARE DISCLAIMED. IN NO EVENT SHALL THE COPYRIGHT OWNER OR CONTRIBUTORS BE LIABLE FOR ANY DIRECT, INDIRECT, INCIDENTAL, SPECIAL, EXEMPLARY, OR CONSEQUENTIAL DAMAGES (INCLUDING, BUT NOT LIMITED TO, PROCUREMENT OF SUBSTITUTE GOODS OR SERVICES; LOSS OF USE, DATA, OR PROFITS; OR BUSINESS INTERRUPTION) HOWEVER CAUSED AND ON ANY THEORY OF LIABILITY, WHETHER IN CONTRACT, STRICT LIABILITY, OR TORT (INCLUDING NEGLIGENCE OR OTHERWISE) ARISING IN ANY WAY OUT OF THE USE OF THIS SOFTWARE, EVEN IF ADVISED OF THE POSSIBILITY OF SUCH DAMAGE.