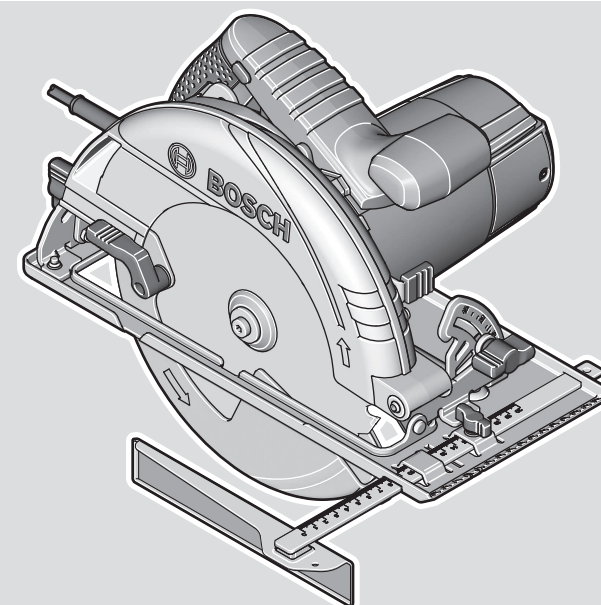




# GKS Professional

GKS 235 Turbo | GKS 9



Robert Bosch Power Tools GmbH  
70538 Stuttgart  
GERMANY

[www.bosch-pt.com](http://www.bosch-pt.com)

1 609 92A 71B (2021.11) 0 / 89

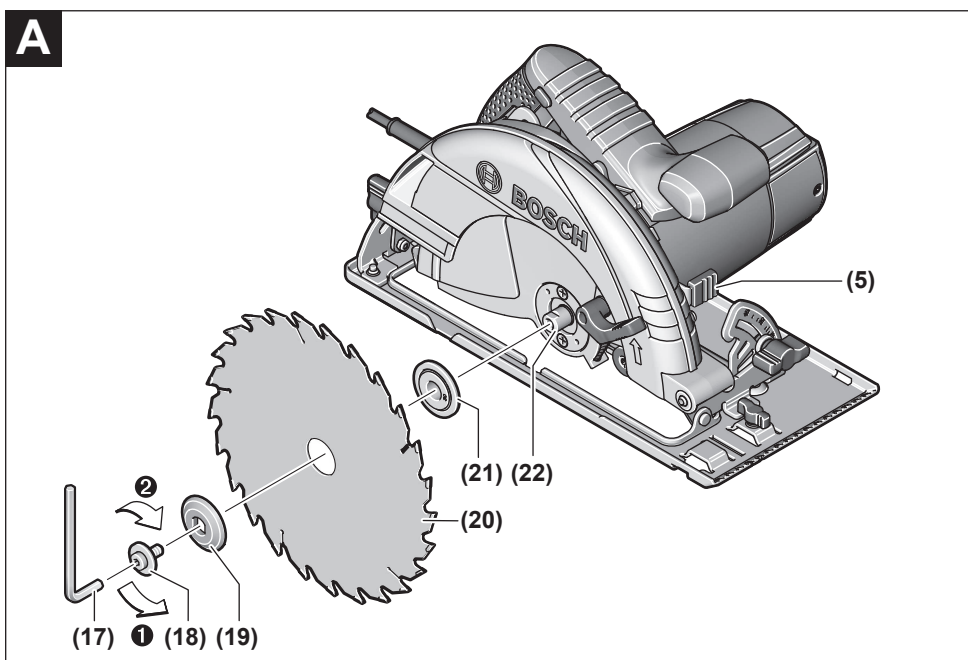
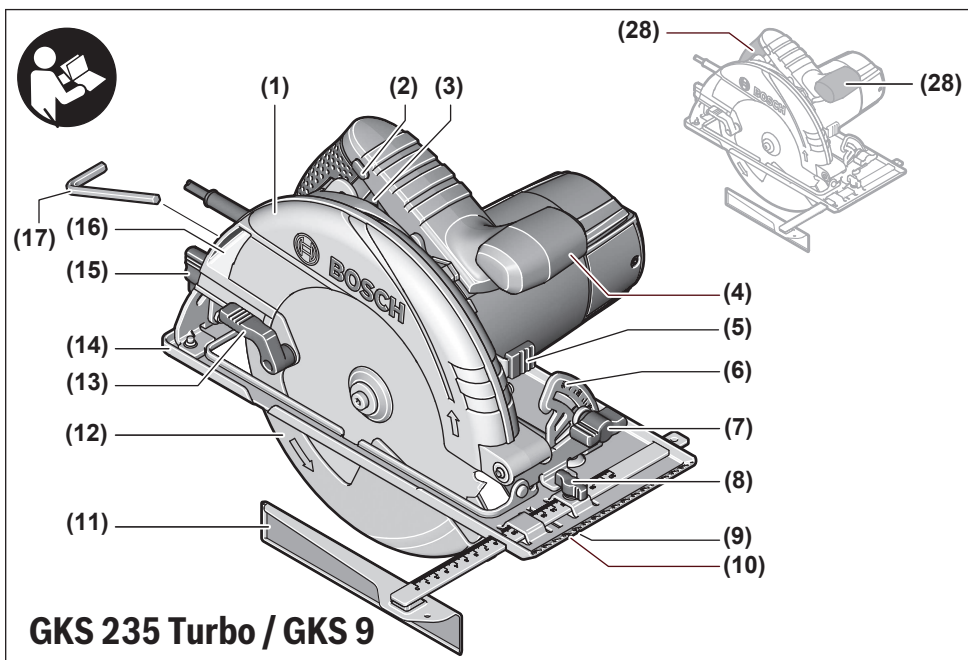


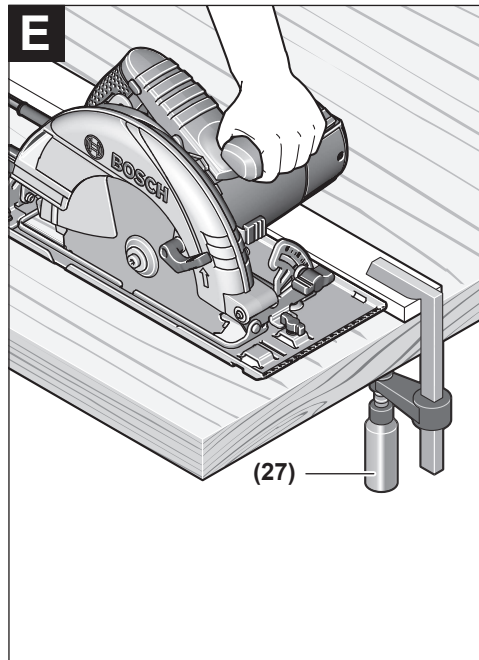
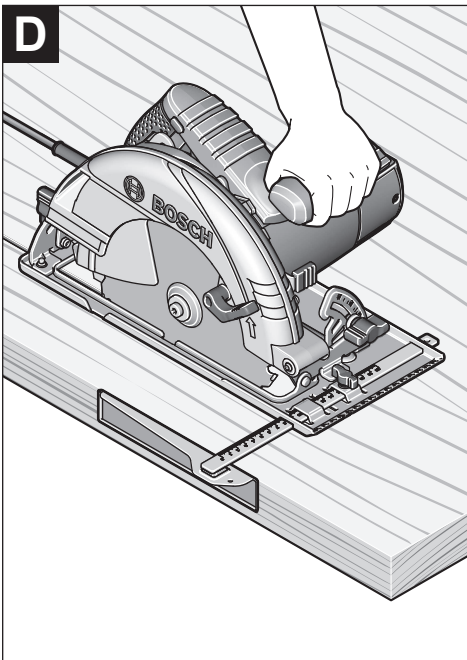
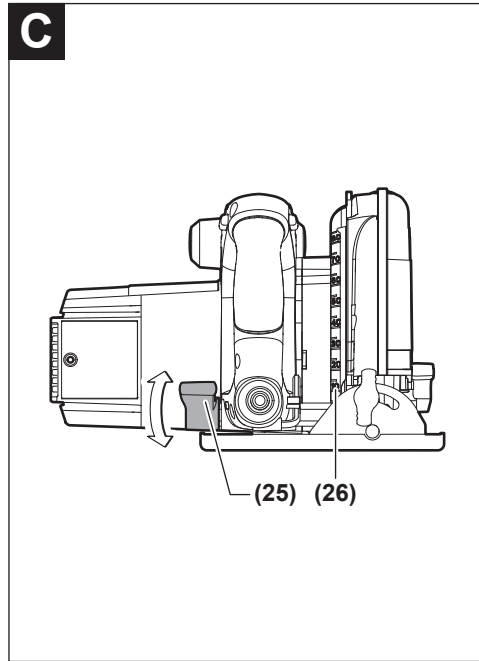
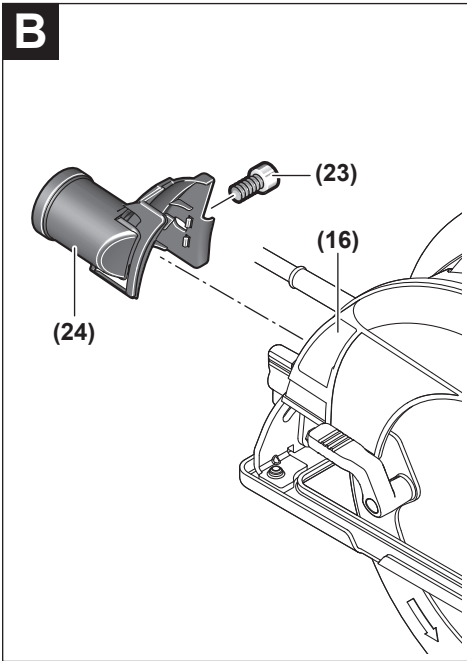
1 609 92A 71B

- en Original instructions
- fr Notice originale
- pt Manual original
- tr Orijinal işletme talimatı
- zh 正本使用说明书
- zh 原始使用說明書
- ko 사용 설명서 원본
- th หนังสือคู่มือการใช้งานฉบับต้นแบบ
- id Petunjuk-Petunjuk untuk Penggunaan Orisinal
- vi Bản gốc hướng dẫn sử dụng
- ar دليل التشغيل الأصلي
- fa دفترچه راهنمای اصلی



English .....	Page	5
Français .....	Page	11
Português .....	Página	18
Türkçe .....	Sayfa	25
中文 .....	頁	32
繁體中文 .....	頁	37
한국어 .....	페이지	42
ไทย .....	หน้า	48
Bahasa Indonesia .....	Halaman	56
Tiếng Việt .....	Trang	62
عربي .....	الصفحة	70
فارسی .....	صفحه	77
<b>CE</b> .....		1





# English

## Safety Instructions

### General Power Tool Safety Warnings

**⚠ WARNING** Read all safety warnings, instructions, illustrations and specifications provided with this power tool. Failure to follow all instructions listed below may result in electric shock, fire and/or serious injury.

**Save all warnings and instructions for future reference.**

The term "power tool" in the warnings refers to your mains-operated (corded) power tool or battery-operated (cordless) power tool.

#### Work area safety

- ▶ **Keep work area clean and well lit.** Cluttered or dark areas invite accidents.
- ▶ **Do not operate power tools in explosive atmospheres, such as in the presence of flammable liquids, gases or dust.** Power tools create sparks which may ignite the dust or fumes.
- ▶ **Keep children and bystanders away while operating a power tool.** Distractions can cause you to lose control.

#### Electrical safety

- ▶ **Power tool plugs must match the outlet. Never modify the plug in any way. Do not use any adapter plugs with earthed (grounded) power tools.** Unmodified plugs and matching outlets will reduce risk of electric shock.
- ▶ **Avoid body contact with earthed or grounded surfaces, such as pipes, radiators, ranges and refrigerators.** There is an increased risk of electric shock if your body is earthed or grounded.
- ▶ **Do not expose power tools to rain or wet conditions.** Water entering a power tool will increase the risk of electric shock.
- ▶ **Do not abuse the cord. Never use the cord for carrying, pulling or unplugging the power tool. Keep cord away from heat, oil, sharp edges or moving parts.** Damaged or entangled cords increase the risk of electric shock.
- ▶ **When operating a power tool outdoors, use an extension cord suitable for outdoor use.** Use of a cord suitable for outdoor use reduces the risk of electric shock.
- ▶ **If operating a power tool in a damp location is unavoidable, use a residual current device (RCD) protected supply.** Use of an RCD reduces the risk of electric shock.

#### Personal safety

- ▶ **Stay alert, watch what you are doing and use common sense when operating a power tool. Do not use a power tool while you are tired or under the influence of drugs, alcohol or medication.** A moment of inatten-

tion while operating power tools may result in serious personal injury.

- ▶ **Use personal protective equipment. Always wear eye protection.** Protective equipment such as a dust mask, non-skid safety shoes, hard hat or hearing protection used for appropriate conditions will reduce personal injuries.
- ▶ **Prevent unintentional starting. Ensure the switch is in the off-position before connecting to power source and/or battery pack, picking up or carrying the tool.** Carrying power tools with your finger on the switch or energising power tools that have the switch on invites accidents.
- ▶ **Remove any adjusting key or wrench before turning the power tool on.** A wrench or a key left attached to a rotating part of the power tool may result in personal injury.
- ▶ **Do not overreach. Keep proper footing and balance at all times.** This enables better control of the power tool in unexpected situations.
- ▶ **Dress properly. Do not wear loose clothing or jewellery. Keep your hair and clothing away from moving parts.** Loose clothes, jewellery or long hair can be caught in moving parts.
- ▶ **If devices are provided for the connection of dust extraction and collection facilities, ensure these are connected and properly used.** Use of dust collection can reduce dust-related hazards.
- ▶ **Do not let familiarity gained from frequent use of tools allow you to become complacent and ignore tool safety principles.** A careless action can cause severe injury within a fraction of a second.

#### Power tool use and care

- ▶ **Do not force the power tool. Use the correct power tool for your application.** The correct power tool will do the job better and safer at the rate for which it was designed.
- ▶ **Do not use the power tool if the switch does not turn it on and off.** Any power tool that cannot be controlled with the switch is dangerous and must be repaired.
- ▶ **Disconnect the plug from the power source and/or remove the battery pack, if detachable, from the power tool before making any adjustments, changing accessories, or storing power tools.** Such preventive safety measures reduce the risk of starting the power tool accidentally.
- ▶ **Store idle power tools out of the reach of children and do not allow persons unfamiliar with the power tool or these instructions to operate the power tool.** Power tools are dangerous in the hands of untrained users.
- ▶ **Maintain power tools and accessories. Check for misalignment or binding of moving parts, breakage of parts and any other condition that may affect the power tool's operation. If damaged, have the power tool repaired before use.** Many accidents are caused by poorly maintained power tools.

- ▶ **Keep cutting tools sharp and clean.** Properly maintained cutting tools with sharp cutting edges are less likely to bind and are easier to control.
- ▶ **Use the power tool, accessories and tool bits etc. in accordance with these instructions, taking into account the working conditions and the work to be performed.** Use of the power tool for operations different from those intended could result in a hazardous situation.
- ▶ **Keep handles and grasping surfaces dry, clean and free from oil and grease.** Slippery handles and grasping surfaces do not allow for safe handling and control of the tool in unexpected situations.

#### Service

- ▶ **Have your power tool serviced by a qualified repair person using only identical replacement parts.** This will ensure that the safety of the power tool is maintained.

### Safety instructions for circular saws

#### Cutting procedures

- ▶  **DANGER: Keep hands away from cutting area and the blade. Keep your second hand on auxiliary handle, or motor housing.** If both hands are holding the saw, they cannot be cut by the blade.
- ▶ **Do not reach underneath the workpiece.** The guard cannot protect you from the blade below the workpiece.
- ▶ **Adjust the cutting depth to the thickness of the workpiece.** Less than a full tooth of the blade teeth should be visible below the workpiece.
- ▶ **Never hold the workpiece in your hands or across your leg while cutting. Secure the workpiece to a stable platform.** It is important to support the work properly to minimise body exposure, blade binding, or loss of control.
- ▶ **Hold the power tool by insulated gripping surfaces, when performing an operation where the cutting tool may contact hidden wiring or its own cord.** Contact with a "live" wire will also make exposed metal parts of the power tool "live" and could give the operator an electric shock.
- ▶ **When ripping always use a rip fence or straight edge guide.** This improves the accuracy of cut and reduces the chance of blade binding.
- ▶ **Always use blades with correct size and shape (diamond versus round) of arbour holes.** Blades that do not match the mounting hardware of the saw will run off-centre, causing loss of control.
- ▶ **Never use damaged or incorrect blade washers or bolt.** The blade washers and bolt were specially designed for your saw, for optimum performance and safety of operation.

#### Kickback causes and related warnings

- kickback is a sudden reaction to a pinched, jammed or misaligned saw blade, causing an uncontrolled saw to lift up and out of the workpiece toward the operator;

- when the blade is pinched or jammed tightly by the kerf closing down, the blade stalls and the motor reaction drives the unit rapidly back toward the operator;

- if the blade becomes twisted or misaligned in the cut, the teeth at the back edge of the blade can dig into the top surface of the wood causing the blade to climb out of the kerf and jump back toward the operator.

Kickback is the result of saw misuse and/or incorrect operating procedures or conditions and can be avoided by taking proper precautions as given below.

- ▶ **Maintain a firm grip with both hands on the saw and position your arms to resist kickback forces. Position your body to either side of the blade, but not in line with the blade.** Kickback could cause the saw to jump backwards, but kickback forces can be controlled by the operator, if proper precautions are taken.
- ▶ **When blade is binding, or when interrupting a cut for any reason, release the trigger and hold the saw motionless in the material until the blade comes to a complete stop. Never attempt to remove the saw from the work or pull the saw backward while the blade is in motion or kickback may occur.** Investigate and take corrective actions to eliminate the cause of blade binding.
- ▶ **When restarting a saw in the workpiece, centre the saw blade in the kerf so that the saw teeth are not engaged into the material.** If a saw blade binds, it may walk up or kickback from the workpiece as the saw is restarted.
- ▶ **Support large panels to minimise the risk of blade pinching and kickback.** Large panels tend to sag under their own weight. Supports must be placed under the panel on both sides, near the line of cut and near the edge of the panel.
- ▶ **Do not use dull or damaged blades.** Unsharpened or improperly set blades produce narrow kerf causing excessive friction, blade binding and kickback.
- ▶ **Blade depth and bevel adjusting locking levers must be tight and secure before making the cut.** If blade adjustment shifts while cutting, it may cause binding and kickback.
- ▶ **Use extra caution when sawing into existing walls or other blind areas.** The protruding blade may cut objects that can cause kickback.

#### Lower guard function

- ▶ **Check the lower guard for proper closing before each use. Do not operate the saw if the lower guard does not move freely and close instantly. Never clamp or tie the lower guard into the open position.** If the saw is accidentally dropped, the lower guard may be bent. Raise the lower guard with the retracting handle and make sure it moves freely and does not touch the blade or any other part, in all angles and depths of cut.
- ▶ **Check the operation of the lower guard spring. If the guard and the spring are not operating properly, they must be serviced before use.** Lower guard may operate

sluggishly due to damaged parts, gummy deposits, or a build-up of debris.

- ▶ **The lower guard may be retracted manually only for special cuts such as "plunge cuts" and "compound cuts". Raise the lower guard by the retracting handle and as soon as the blade enters the material, the lower guard must be released.** For all other sawing, the lower guard should operate automatically.
- ▶ **Always observe that the lower guard is covering the blade before placing the saw down on bench or floor.** An unprotected, coasting blade will cause the saw to walk backwards, cutting whatever is in its path. Be aware of the time it takes for the blade to stop after switch is released.

#### Additional safety warnings

- ▶ **Do not allow the chip ejector to come into contact with your hands.** You may be injured by rotating parts.
- ▶ **Do not use the saw above the level of your head.** Doing so will mean you have inadequate control of the power tool.
- ▶ **Use suitable detectors to determine if utility lines are hidden in the work area or call the local utility company for assistance.** Contact with electric lines can lead to fire and electric shock. Damaging a gas line can lead to explosion. Penetrating a water line causes property damage or may cause an electric shock.
- ▶ **Hold the power tool firmly with both hands and make sure you have a stable footing.** The power tool can be more securely guided with both hands.
- ▶ **Do not operate the power tool when stationary .** It is not suitable for operation with a saw table.
- ▶ **When performing plunge cuts which are not right-angled, secure the guide plate of the saw so that it will not shift sideways.** In the event of a sideways shift, the saw blade may become jammed, which could lead to kick-back.
- ▶ **Secure the workpiece.** A workpiece clamped with clamping devices or in a vice is held more secure than by hand.
- ▶ **Always wait until the power tool has come to a complete stop before placing it down.** The application tool can jam and cause you to lose control of the power tool.
- ▶ **Do not use HSS saw blades.** Such saw blades can easily break.
- ▶ **Do not saw any ferrous metals.** Hot chips may ignite the dust extractor.
- ▶ **Wear a dust mask.**

#### Products sold in GB only:

Your product is fitted with an BS 1363/A approved electric plug with internal fuse (ASTA approved to BS 1362). If the plug is not suitable for your socket outlets, it should be cut off and an appropriate plug fitted in its place by an authorised customer service agent. The replacement plug should have the same fuse rating as the original plug.

The severed plug must be disposed of to avoid a possible shock hazard and should never be inserted into a mains socket elsewhere.

## Product Description and Specifications



#### Read all the safety and general instructions.

Failure to observe the safety and general instructions may result in electric shock, fire and/or serious injury.

Please observe the illustrations at the beginning of this operating manual.

#### Intended use

The power tool is intended for making straight cuts in wood with and against the grain and mitre cuts in wood while resting firmly against the workpiece.

The power tool must not be used to cut ferrous metals.

#### Product features

The numbering of the product features refers to the diagram of the power tool on the graphics page.

- (1) Protective guard
- (2) Lock-on button for on/off switch (3 601 EA2 0K./3 601 EA2 0L./3 601 EA2 0F.)
- (2) Lock-off button for on/off switch (3 601 EA2 0B./3 601 EA2 0B./3 601 EA2 04./3 601 EA2 00./3 601 EA2 07.)
- (3) On/off switch
- (4) Auxiliary handle
- (5) Spindle lock button
- (6) Scale for mitre/bevel angles
- (7) Wing bolt for mitre/bevel angle preselection
- (8) Wing bolt for parallel guide
- (9) Cut mark 45°
- (10) Cut mark 0°
- (11) Parallel guide
- (12) Retracting blade guard
- (13) Adjusting lever for retracting blade guard
- (14) Base plate
- (15) Wing bolt for mitre/bevel angle preselection
- (16) Chip ejector
- (17) Hex key
- (18) Clamping bolt with washer
- (19) Clamping flange
- (20) Circular saw blade<sup>a)</sup>
- (21) Mounting flange
- (22) Saw spindle
- (23) Fastening screw for dust extraction adapter<sup>a)</sup>
- (24) Dust extraction adapter<sup>a)</sup>



- (25) Clamping lever for cutting depth preselection  
 (26) Cutting depth scale  
 (27) Pair of screw clamps<sup>3)</sup>

- (28) Handle (insulated gripping surface)

a) **Accessories shown or described are not included with the product as standard. You can find the complete selection of accessories in our accessories range.**

### Technical data

Hand-held circular saw		GKS 235 Turbo	GKS 235 Turbo	GKS 9
Article number		<b>3 601 EA2 0..</b>	<b>3 601 EA2 0B.</b>	<b>3 601 EA2 00. 3 601 EA2 07.</b>
Rated power input	W	2050	2050	2050
No-load speed	min <sup>-1</sup>	5300	5300	5300
Max. speed under load	min <sup>-1</sup>	3500	3500	3500
Max. cutting depth				
– at a 0° mitre/bevel angle	mm	85	85	85
– at a 45° mitre/bevel angle	mm	65	65	65
Spindle lock		●	●	●
Base plate dimensions	mm	383 x 170	383 x 170	383 x 170
Max. saw blade diameter	mm	235	235	235
Min. saw blade diameter	mm	230	230	230
Max. base blade thickness	mm	2.2	2.2	2.2
Max. tooth thickness/offset	mm	3.2	3.2	3.2
Min. tooth thickness/offset	mm	2.0	2.0	2.0
Locating bore	mm	25	25.4	30
Weight according to EPTA-Procedure 01:2014	kg	7.6	7.6	7.6
Protection class		□/II	□/II	□/II

The specifications apply to a rated voltage [U] of 230 V. These specifications may vary at different voltages and in country-specific models.

The appliance meets IEC 61000-3-11 requirements and is subject to conditional connection. The appliance can lead to occasional voltage fluctuations under unfavorable power conditions. The impedance of this appliance is set as  $Z_{\text{actual}} = 0.14 \Omega$ . The user must make sure, that the connection point, with the impedance  $Z_{\text{max}}$ , on which the appliance shall be plugged in meets the impedance requirement:  $Z_{\text{actual}} \geq Z_{\text{max}}$ . If  $Z_{\text{max}}$  is unknown, determine  $Z_{\text{max}}$  in consultation with the network supplier or supply authority.

### Noise/vibration information

Noise emission values determined according to

#### EN 62841-2-5.

Typically, the A-weighted noise level of the power tool is:

Sound pressure level **92 dB(A)**; sound power level

**103 dB(A)**. Uncertainty K = **3 dB**.

#### Wear hearing protection!

Vibration total values  $a_h$  (triax vector sum) and uncertainty K determined according to **EN 62841-2-5**:

Sawing wood:  $a_h = 3.3 \text{ m/s}^2$ , K = **1.5 m/s<sup>2</sup>**

The vibration level and noise emission value given in these instructions have been measured in accordance with a standardised measuring procedure and may be used to compare power tools. They may also be used for a preliminary estimation of vibration and noise emissions.

The stated vibration level and noise emission value represent the main applications of the power tool. However, if the

power tool is used for other applications, with different application tools or is poorly maintained, the vibration level and noise emission value may differ. This may significantly increase the vibration and noise emissions over the total working period.

To estimate vibration and noise emissions accurately, the times when the tool is switched off or when it is running but not actually being used should also be taken into account. This may significantly reduce vibration and noise emissions over the total working period.

Implement additional safety measures to protect the operator from the effects of vibration, such as servicing the power tool and application tools, keeping their hands warm, and organising workflows correctly.



## Fitting

- ▶ **Only use saw blades the maximum permitted speed of which is higher than the no-load speed of the power tool.**

### Inserting/changing the circular saw blade

- ▶ **Pull the plug out of the socket before carrying out any work on the power tool.**
- ▶ **Wear protective gloves when fitting the saw blade.** Danger of injury when touching the saw blade.
- ▶ **Do not use abrasive wheels as the application tool under any circumstances.**
- ▶ **Only use saw blades that match the specifications given in this operating manual and on the power tool.**

### Selecting the saw blade

You will find an overview of recommended saw blades at the end of these operating instructions.

### Removing the saw blade (see figure A)

To change tools, we recommend that you place the power tool down on the front side of the motor housing.

- Press and hold the spindle lock button (5).
- ▶ **Do not press the spindle lock button (5) while the saw spindle is moving.** The power tool may become damaged if this happens.
- Use the hex key (17) to undo the clamping bolt (18) in rotational direction ⚙.
- Swing the retracting blade guard (12) back and hold on to it firmly.
- Remove the clamping flange (19) and the saw blade (20) from the saw spindle (22).

### Fitting the saw blade (see figure A)

To change tools, we recommend that you place the power tool down on the front side of the motor housing.

- Clean the saw blade (20) and all the clamping elements to be fitted.
- Swing the retracting blade guard (12) back and hold on to it firmly.
- Place the saw blade (20) on the mounting flange (21). The cutting direction of the teeth (direction of the arrow on the saw blade) must match the rotational direction of the arrow on the protective guard (1).
- Attach the clamping flange (19) and screw in the clamping bolt (18) in rotational direction ⚙. Ensure that the mounting flange (21) and clamping flange (19) are installed in the correct position.
- Press and hold the spindle lock button (5).
- Use the hex key (17) to tighten the clamping bolt (18) in rotational direction ⚙. The tightening torque should be 10–12 Nm, which corresponds to hand-tight plus ¼ turn.

### Dust/chip extraction

The dust from materials such as lead paint, some types of wood, minerals and metal can be harmful to human health.

Touching or breathing in this dust can trigger allergic reactions and/or cause respiratory illnesses in the user or in people in the near vicinity.

Certain dusts, such as oak or beech dust, are classified as carcinogenic, especially in conjunction with wood treatment additives (chromate, wood preservative). Materials containing asbestos may only be machined by specialists.

- Use a dust extraction system that is suitable for the material wherever possible.
- Provide good ventilation at the workplace.
- It is advisable to wear a P2 filter class breathing mask.

The regulations on the material being machined that apply in the country of use must be observed.

- ▶ **Avoid dust accumulation at the workplace.** Dust can easily ignite.

### Fitting the dust extraction adapter (see figure B)

Push the dust extraction adapter (24) onto the chip ejector (16) until it clicks into place. Then secure the dust extraction adapter (24) in place with the screw (23).

A dust extraction hose with a diameter of 35 mm can be connected to the dust extraction adapter (24).

- ▶ **The dust extraction adapter must only be fitted if an external dust extraction system is connected.** Otherwise the extraction duct can become clogged.
- ▶ **No dust bags should be connected to the dust extraction adapter.** Otherwise the extraction system can become clogged.

To ensure optimum extraction, the dust extraction adapter (24) must be cleaned regularly.

### External dust extraction

The power tool can be directly connected to the socket of a Bosch all-purpose dust extractor with remote starter. This dust extractor is started up automatically when the power tool is switched on.

The dust extractor must be suitable for the material being worked.

When vacuuming dry dust that is especially detrimental to health or carcinogenic, use a special dust extractor.

In Germany, wood dust extraction requires extraction devices which have been tested on the basis of TRGS 553; self-generated dust extraction must not be used in the commercial sector. Commercial operators must clarify the specific requirements for other materials with the responsible trade association.

## Operation

- ▶ **Pull the plug out of the socket before carrying out any work on the power tool.**

### Operating modes

#### Setting the cutting depth (see figure C)

- ▶ **Adapt the cutting depth to the thickness of the workpiece.** A space of less than the height of one full tooth should be visible under the workpiece.

Loosen the clamping lever **(25)**. For a smaller cutting depth, pull the saw away from the base plate **(14)**; for a larger cutting depth, push the saw towards the base plate **(14)**. Adjust the desired cutting depth at the cutting-depth scale. Retighten the clamping lever **(25)**.

The clamping force of the clamping lever **(25)** can be readjusted. To do so, unscrew the clamping lever **(25)** and retighten it in a position offset by at least 30° in an anticlockwise direction.

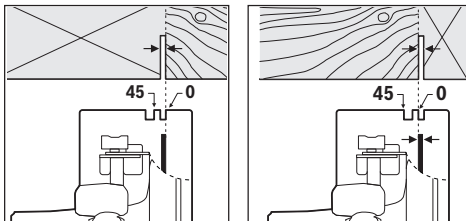
### Adjusting the mitre angle

We recommend that you place the power tool down on the front side of the protective guard **(1)**.

Loosen the wing bolts **(7)** and **(15)**. Swivel the saw to the side. Set the required mitre angle on the scale **(6)**. Retighten the wing bolts **(7)** and **(15)**.

**Note:** When making mitre cuts, the cutting depth is less than the value shown on the cutting depth scale **(26)**.

### Cut marks



The 0° cut mark **(10)** indicates the position of the saw blade when making a right-angled cut. The 45° cut mark **(9)** indicates the position of the saw blade when making a 45° cut.

For a precise cut, place the circular saw against the workpiece as shown in the figure. We recommend making a test cut.

### Start-up

► **Pay attention to the mains voltage. The voltage of the power source must match the voltage specified on the rating plate of the power tool. Power tools marked with 230 V can also be operated with 220 V.**

► **Products that are only sold in AUS and NZ:** Use a residual current device (RCD) with a nominal residual current of 30 mA or less.

### Switching on/off

► **Make sure that you are able to press the On/Off switch without releasing the handle.**

**3 601 EA2 0K./3 601 EA2 0L./3 601 EA2 0F.:**

To **start** the power tool, press and hold the on/off switch **(3)**.

Press the lock-on button **(2)** to **lock** the on/off switch **(3)** in this position.

To **switch off** the power tool, release the on/off switch **(3)**; or, if the switch is locked with the lock-on button **(2)**, briefly press the on/off switch **(3)** and then release it.

**3 601 EA2 08./3 601 EA2 0B./3 601 EA2 04./3 601 EA2 00./3 601 EA2 07.:**

To **start** the power tool, first press the lock-off switch **(2)**, **then** press and hold the on/off switch **(3)**.

To **switch off** the power tool, release the on/off switch **(3)**.

**Note:** For safety reasons, the on/off switch **(3)** cannot be locked; it must remain pressed during the entire operation.

### Practical advice

► **Pull the plug out of the socket before carrying out any work on the power tool.**

The width of cut varies depending on the saw blade used.

Protect saw blades against shock and impact.

Guide the power tool evenly, pushing it gently in the cutting direction. Applying too much pressure to the power tool when moving it in the cutting direction significantly reduces the service life of the application tools and can damage the power tool.

The sawing performance and the quality of the cut essentially depend on the condition and the tooth shape of the saw blade. This is why you should only use sharp saw blades that are suitable for the material being machined.

### Sawing wood

Choosing the right saw blade depends on the wood type, wood quality and whether cuts with or against the grain are required.

Making cuts in spruce with the grain produces long, spiral-shaped chips.

Beech and oak dust is especially detrimental to health. Therefore, work only with dust extraction.

### Sawing with a parallel guide (see figure D)

The parallel guide **(11)** allows you to make precise cuts along the edge of a workpiece and cut strips with the same dimensions.

Loosen the wing bolt **(8)** and slide the scale of the parallel guide **(11)** through the guide in the base plate **(14)**. Adjust the desired cutting width as a scale value at the corresponding **(10)** or **(9)** cut mark, see the section "Cut marks".

Retighten the wing bolt **(8)**.

### Sawing with an auxiliary guide (see figure E)

For working on large workpieces or for cutting straight edges, you can securely fasten a board or rail to the workpiece as an auxiliary guide. The circular saw can be guided along the path of this auxiliary guide with the base plate.

## Maintenance and Service

### Maintenance and Cleaning

► **Pull the plug out of the socket before carrying out any work on the power tool.**

► **To ensure safe and efficient operation, always keep the power tool and the ventilation slots clean.**

In order to avoid safety hazards, if the power supply cord needs to be replaced, this must be done by **Bosch** or by an

after-sales service centre that is authorised to repair **Bosch** power tools.

The retracting blade guard must always be able to move freely and retract automatically. It is therefore important to keep the area around the retracting blade guard clean at all times. Remove dust and chips with a paintbrush.

Non-coated saw blades can be protected against corrosion using a thin layer of acid-free oil. Remove the oil again before sawing as failure to do so will stain the wood.

Resin or glue residue on the saw blade has a detrimental effect on the quality of the cut. You should therefore clean saw blades straight after use.

### After-Sales Service and Application Service

Our after-sales service responds to your questions concerning maintenance and repair of your product as well as spare parts. You can find explosion drawings and information on spare parts at: [www.bosch-pt.com](http://www.bosch-pt.com)

The Bosch product use advice team will be happy to help you with any questions about our products and their accessories.

In all correspondence and spare parts orders, please always include the 10-digit article number given on the nameplate of the product.

#### Malaysia

Robert Bosch Sdn. Bhd. (220975-V) PT/SMY  
No. 8A, Jalan 13/6  
46200 Petaling Jaya  
Selangor  
Tel.: (03) 79663194  
Toll-Free: 1800 880188  
Fax: (03) 79583838  
E-Mail: [kiathoe.chong@my.bosch.com](mailto:kiathoe.chong@my.bosch.com)  
[www.bosch-pt.com.my](http://www.bosch-pt.com.my)

#### You can find further service addresses at:

[www.bosch-pt.com/serviceaddresses](http://www.bosch-pt.com/serviceaddresses)

### Disposal

The power tool, accessories and packaging should be recycled in an environmentally friendly manner.



Do not dispose of power tools along with household waste.

## Français

### Consignes de sécurité

#### Avertissements de sécurité généraux pour l'outil électrique

#### **AVERTISSEMENT** Lire tous les avertissements de sécurité, les instructions, les illustrations et les spécifications fournis

avec cet outil électrique. Ne pas suivre les instructions énumérées ci-dessous peut provoquer un choc électrique, un incendie et/ou une blessure sérieuse.

#### Conservation des avertissements et de toutes les instructions pour pouvoir s'y reporter ultérieurement.

Le terme "outil électrique" dans les avertissements fait référence à votre outil électrique alimenté par le secteur (avec cordon d'alimentation) ou votre outil électrique fonctionnant sur batterie (sans cordon d'alimentation).

#### Sécurité de la zone de travail

##### ► Conserver la zone de travail propre et bien éclairée.

Les zones en désordre ou sombres sont propices aux accidents.

##### ► Ne pas faire fonctionner les outils électriques en atmosphère explosive, par exemple en présence de liquides inflammables, de gaz ou de poussières.

Les outils électriques produisent des étincelles qui peuvent enflammer les poussières ou les fumées.

##### ► Maintenir les enfants et les personnes présentes à l'écart pendant l'utilisation de l'outil électrique.

Les distractions peuvent vous faire perdre le contrôle de l'outil.

#### Sécurité électrique

##### ► Il faut que les fiches de l'outil électrique soient adaptées au socle. Ne jamais modifier la fiche de quelque façon que ce soit. Ne pas utiliser d'adaptateurs avec des outils électriques à branchement de terre.

Des fiches non modifiées et des socles adaptés réduisent le risque de choc électrique.

##### ► Éviter tout contact du corps avec des surfaces reliées à la terre telles que les tuyaux, les radiateurs, les cuisinières et les réfrigérateurs.

Il existe un risque accru de choc électrique si votre corps est relié à la terre.

##### ► Ne pas exposer les outils électriques à la pluie ou à des conditions humides.

La pénétration d'eau à l'intérieur d'un outil électrique augmente le risque de choc électrique.

##### ► Ne pas maltraiter le cordon. Ne jamais utiliser le cordon pour porter, tirer ou débrancher l'outil électrique. Maintenir le cordon à l'écart de la chaleur, du lubrifiant, des arêtes vives ou des parties en mouvement.

Des cordons endommagés ou emmêlés augmentent le risque de choc électrique.

##### ► Lorsqu'on utilise un outil électrique à l'extérieur, utiliser un prolongateur adapté à l'utilisation extérieure.

L'utilisation d'un cordon adapté à l'utilisation extérieure réduit le risque de choc électrique.

- ▶ **Si l'usage d'un outil électrique dans un emplacement humide est inévitable, utiliser une alimentation protégée par un dispositif à courant différentiel résiduel (RCD).** L'usage d'un RCD réduit le risque de choc électrique.

#### Sécurité des personnes

- ▶ **Rester vigilant, regarder ce que vous êtes en train de faire et faire preuve de bon sens dans votre utilisation de l'outil électrique. Ne pas utiliser un outil électrique lorsque vous êtes fatigué ou sous l'emprise de drogues, de l'alcool ou de médicaments.** Un moment d'inattention en cours d'utilisation d'un outil électrique peut entraîner des blessures graves.
- ▶ **Utiliser un équipement de protection individuelle. Toujours porter une protection pour les yeux.** Les équipements de protection individuelle tels que les masques contre les poussières, les chaussures de sécurité antidérapantes, les casques ou les protections auditives utilisés pour les conditions appropriées réduisent les blessures.
- ▶ **Éviter tout démarrage intempestif. S'assurer que l'interrupteur est en position arrêt avant de brancher l'outil au secteur et/ou au bloc de batteries, de le ramasser ou de le porter.** Porter les outils électriques en ayant le doigt sur l'interrupteur ou brancher des outils électriques dont l'interrupteur est en position marche est source d'accidents.
- ▶ **Retirer toute clé de réglage avant de mettre l'outil électrique en marche.** Une clé laissée fixée sur une partie tournante de l'outil électrique peut donner lieu à des blessures.
- ▶ **Ne pas se précipiter. Garder une position et un équilibre adaptés à tout moment.** Cela permet un meilleur contrôle de l'outil électrique dans des situations inattendues.
- ▶ **S'habiller de manière adaptée. Ne pas porter de vêtements amples ou de bijoux. Garder les cheveux et les vêtements à distance des parties en mouvement.** Des vêtements amples, des bijoux ou les cheveux longs peuvent être pris dans des parties en mouvement.
- ▶ **Si des dispositifs sont fournis pour le raccordement d'équipements pour l'extraction et la récupération des poussières, s'assurer qu'ils sont connectés et correctement utilisés.** Utiliser des collecteurs de poussière peut réduire les risques dus aux poussières.
- ▶ **Rester vigilant et ne pas négliger les principes de sécurité de l'outil sous prétexte que vous avez l'habitude de l'utiliser.** Une fraction de seconde d'inattention peut provoquer une blessure grave.

#### Utilisation et entretien de l'outil électrique

- ▶ **Ne pas forcer l'outil électrique. Utiliser l'outil électrique adapté à votre application.** L'outil électrique adapté réalise mieux le travail et de manière plus sûre au régime pour lequel il a été construit.

- ▶ **Ne pas utiliser l'outil électrique si l'interrupteur ne permet pas de passer de l'état de marche à arrêt et inversement.** Tout outil électrique qui ne peut pas être commandé par l'interrupteur est dangereux et il faut le réparer.
- ▶ **Débrancher la fiche de la source d'alimentation et/ou enlever le bloc de batteries, s'il est amovible, avant tout réglage, changement d'accessoires ou avant de ranger l'outil électrique.** De telles mesures de sécurité préventives réduisent le risque de démarrage accidentel de l'outil électrique.
- ▶ **Conserver les outils électriques à l'arrêt hors de la portée des enfants et ne pas permettre à des personnes ne connaissant pas l'outil électrique ou les présentes instructions de le faire fonctionner.** Les outils électriques sont dangereux entre les mains d'utilisateurs novices.
- ▶ **Observer la maintenance des outils électriques et des accessoires. Vérifier qu'il n'y a pas de mauvais alignement ou de blocage des parties mobiles, des pièces cassées ou toute autre condition pouvant affecter le fonctionnement de l'outil électrique. En cas de dommages, faire réparer l'outil électrique avant de l'utiliser.** De nombreux accidents sont dus à des outils électriques mal entretenus.
- ▶ **Garder affûtés et propres les outils permettant de couper.** Des outils destinés à couper correctement entretenus avec des pièces coupantes tranchantes sont moins susceptibles de bloquer et sont plus faciles à contrôler.
- ▶ **Utiliser l'outil électrique, les accessoires et les lames etc., conformément à ces instructions, en tenant compte des conditions de travail et du travail à réaliser.** L'utilisation de l'outil électrique pour des opérations différentes de celles prévues peut donner lieu à des situations dangereuses.
- ▶ **Il faut que les poignées et les surfaces de préhension restent sèches, propres et dépourvues d'huiles et de graisses.** Des poignées et des surfaces de préhension glissantes rendent impossibles la manipulation et le contrôle en toute sécurité de l'outil dans les situations inattendues.

#### Maintenance et entretien

- ▶ **Faire entretenir l'outil électrique par un réparateur qualifié utilisant uniquement des pièces de rechange identiques.** Cela assure le maintien de la sécurité de l'outil électrique.

#### Consignes de sécurité pour scies circulaires

##### Procédures de coupe

- ▶ **⚠ DANGER: N'approchez pas les mains de la zone de coupe et de la lame. Gardez la deuxième main sur la poignée auxiliaire ou sur le boîtier du moteur.** Si les deux mains tiennent la scie, elles ne peuvent pas être coupées par la lame.

- ▶ **N'exposez aucune partie de votre corps sous la pièce à travailler.** Le protecteur ne peut pas vous protéger de la lame sous la pièce.
  - ▶ **Ajustez la profondeur de coupe à l'épaisseur de la pièce à travailler.** Il convient que moins de la totalité d'une dent parmi toutes les dents de la lame soit visible sous la pièce.
  - ▶ **Ne tenez jamais la pièce à travailler dans vos mains ou sur vos jambes pendant la coupe. Assurez-vous que la pièce à travailler se trouve sur une plate-forme stable.** Il est important que la pièce soit soutenue convenablement, afin de minimiser l'exposition du corps, le grippage de la lame, ou la perte de contrôle.
  - ▶ **Maintenez l'outil uniquement par les surfaces de prise isolantes, si l'outil coupant, en marche, peut être en contact avec des conducteurs cachés ou avec son propre cordon d'alimentation.** Le contact avec un fil "sous tension" mettra également "sous tension" les parties métalliques exposées de l'outil et pourrait provoquer un choc électrique sur l'opérateur.
  - ▶ **Lors d'une coupe, utilisez toujours un guide parallèle ou un guide à bords droits.** Cela améliore la précision de la coupe et réduit les risques de grippage de la lame.
  - ▶ **Utilisez toujours des lames dont la taille et la forme (diamant et rond) des alésages centraux sont conviviales.** Les lames qui ne correspondent pas aux éléments de montage de la scie se décentreront, provoquant une perte de contrôle.
  - ▶ **N'utilisez jamais de rondelles ou de boulons de lames endommagés ou inadaptés.** Les rondelles et les boulons de lames ont été spécialement conçus pour votre scie, afin de garantir une performance optimale et une sécurité de fonctionnement.
- ▶ **Lorsque la lame est grippée ou lorsqu'une coupe est interrompue pour quelque raison que ce soit, relâchez le bouton de commande et maintenez la scie immobile dans le matériau, jusqu'à ce que la lame arrête complètement de fonctionner. N'essayez jamais de retirer la scie de la pièce à travailler ou tirez la scie en arrière pendant que la lame est en mouvement ou que le recul peut se produire.** Recherchez et prenez des mesures correctives afin d'empêcher que la lame ne se grippe.
  - ▶ **Lorsque vous remettez en marche une scie dans la pièce à travailler, centrez la lame de scie dans le trait de scie, de sorte que les dents de la scie ne soient pas rentrées dans le matériau.** Si la lame de scie est grippée, elle peut venir chevaucher la pièce à travailler ou en sortir lorsque la scie est remise en fonctionnement.
  - ▶ **Placez des panneaux de grande taille sur un support afin de minimiser les risques de pincement de la lame et de recul.** Les grands panneaux ont tendance à fléchir sous leur propre poids. Les supports doivent être placés sous le panneau des deux côtés, près de la ligne de coupe et près du bord du panneau.
  - ▶ **N'utilisez pas de lames émoussées ou endommagées.** Des lames non aiguisées ou mal fixées entraînent un trait de scie rétréci, provoquant trop de frottements, un grippage de la lame et un recul.
  - ▶ **La profondeur de la lame et les leviers de verrouillage et de réglage du biseau doivent être solides et stables avant de réaliser la coupe.** Si l'ajustement de la lame dérive pendant la coupe, cela peut provoquer un grippage et un recul.
  - ▶ **Soyez d'autant plus prudent lorsque vous découpez des parois existantes ou d'autres zones sans visibilité.** La lame saillante peut couper des objets qui peuvent entraîner un recul.

#### Causes du recul et mises en garde correspondantes

- le recul est une réaction soudaine observée sur une lame de scie pincée, bloquée ou mal alignée, faisant sortir la scie de la pièce à travailler de manière incontrôlée dans la direction de l'opérateur;

– lorsque la lame est pincée ou bloquée fermement par le fond du trait de scie, la lame se bloque et le moteur fait retourner brutalement le bloc à l'opérateur;

– si la lame se tord ou est mal alignée lors de la coupe, les dents sur le bord arrière de la lame peuvent creuser la face supérieure du bois, ce qui fait que la lame sort du trait de scie et est projetée sur l'opérateur.

Le recul est le résultat d'un mauvais usage de la scie et/ou de procédures ou de conditions de fonctionnement incorrectes et peut être évité en prenant les précautions adéquates spécifiées ci-dessous.

- ▶ **Maintenez fermement la scie avec les deux mains et positionnez vos bras afin de résister aux forces de recul. Positionnez votre corps d'un des côtés de la lame, mais pas dans l'alignement de la lame.** Le recul peut faire revenir la scie en arrière, mais les forces de recul peuvent être maîtrisées par l'opérateur, si les précautions adéquates sont prises.

#### Fonctionnement du protecteur inférieur

- ▶ **Vérifiez que le protecteur inférieur soit bien fermé avant chaque utilisation. Ne mettez pas la scie en marche si le protecteur inférieur ne se déplace pas librement et ne se ferme pas instantanément. Ne serrez jamais ou n'attachez jamais le protecteur inférieur en position ouverte.** Si la scie tombe accidentellement, le protecteur inférieur peut se tordre. Soulevez le protecteur inférieur avec la poignée rétractive et assurez-vous qu'il bouge librement et n'est pas en contact avec la lame ou toute autre partie, à tous les angles et profondeurs de coupe.
- ▶ **Vérifiez le fonctionnement du ressort du protecteur inférieur. Si le protecteur et le ressort ne fonctionnent pas correctement, ils doivent être révisés avant utilisation.** Le protecteur inférieur peut fonctionner lentement en raison d'éléments endommagés, de dépôts collants ou de l'accumulation de débris.
- ▶ **Le protecteur inférieur peut revenir se loger manuellement uniquement pour les coupes particulières telles que les «coupes plongantes» et les «coupes complexes».** Soulevez le protecteur inférieur par la poignée rétractive et, dès que la lame entre dans le

**matériau, le protecteur inférieur doit être relâché.** Pour toutes les autres découpes, il convient que le protecteur inférieur fonctionne automatiquement.

- ▶ **Vérifiez toujours que le protecteur inférieur recouvre la lame avant de poser la scie sur un établi ou sur le sol.** Une lame non protégée et continuant à fonctionner par inertie entraînera la scie en arrière, et coupera alors tout ce qui se trouve sur sa trajectoire. Soyez conscient du temps nécessaire à la lame pour s'arrêter après que l'interrupteur est relâché.

#### Consignes de sécurité additionnelles

- ▶ **Ne mettez jamais la main dans l'éjecteur de copeaux.** Vous risqueriez d'être blessé par des pièces en rotation.
- ▶ **N'utilisez pas la scie pour effectuer des travaux en hauteur.** Il est alors difficile de bien maîtriser l'outil électroportatif.
- ▶ **Utilisez un détecteur approprié pour vérifier s'il n'y a pas de conduites cachées ou contactez votre société de distribution d'eau locale.** Tout contact avec des câbles électriques peut provoquer un incendie ou un choc électrique. Tout endommagement d'une conduite de gaz peut provoquer une explosion. La perforation d'une conduite d'eau provoque des dégâts matériels et peut provoquer un choc électrique.
- ▶ **Lors du travail, tenez fermement l'outil électroportatif des deux mains et veillez à toujours garder une position de travail stable.** Avec les deux mains, l'outil électroportatif est guidé en toute sécurité.
- ▶ **N'utilisez pas l'outil électroportatif de manière stationnaire.** Il n'est pas conçu pour être utilisé avec une table de sciage.
- ▶ **Pour effectuer des coupes plongeantes non perpendiculaires, faites en sorte que la semelle de la scie ne risque pas de se déplacer latéralement.** Un déplacement latéral risque de provoquer le blocage de la lame et donc un phénomène de rebond.
- ▶ **Bloquez la pièce à travailler.** Une pièce à travailler serrée par des dispositifs de serrage appropriés ou dans un étau est fixée de manière plus sûre que quand elle est tenue avec une main.
- ▶ **Avant de poser l'outil électroportatif, attendez que celui-ci soit complètement à l'arrêt.** L'outil risque de se coincer, ce qui entraînerait une perte de contrôle de l'outil électroportatif.
- ▶ **N'utilisez pas de lames en acier HSS (acier super rapide).** De telles lames se cassent facilement.
- ▶ **Ne sciez pas des métaux ferreux.** Les copeaux incandescents risquent d'enflammer le dispositif d'aspiration de poussières.
- ▶ **Portez un masque anti-poussières.**

## Description des prestations et du produit



**Lisez attentivement toutes les instructions et consignes de sécurité.** Le non-respect des instructions et consignes de sécurité peut provoquer un choc électrique, un incendie et/ou entraîner de graves blessures.

Référez-vous aux illustrations qui se trouvent à l'avant de la notice d'utilisation.

#### Utilisation conforme

L'outil électroportatif est conçu pour réaliser, à l'aide d'un support stable, des coupes longitudinales et transversales droites et biaisées dans le bois.

Il ne convient pas à la découpe de métaux ferreux.

#### Éléments constitutifs

La numérotation des éléments de l'appareil se réfère à la représentation de l'outil électroportatif sur la page graphique.

- (1) Capot de protection
- (2) Bouton de blocage de l'interrupteur Marche/Arrêt (3 601 EA2 0K./3 601 EA2 0L./3 601 EA2 0F.)
- (2) Verrouillage d'enclenchement de l'interrupteur Marche/Arrêt (3 601 EA2 08./3 601 EA2 0B./3 601 EA2 04./3 601 EA2 00./3 601 EA2 07.)
- (3) Interrupteur Marche/Arrêt
- (4) Poignée supplémentaire
- (5) Touche de blocage de broche
- (6) Échelle graduée d'angles d'inclinaison
- (7) Vis papillon pour présélection de l'angle d'inclinaison
- (8) Vis papillon pour la butée parallèle
- (9) Marquage de coupe à 45°
- (10) Marquage de coupe à 0°
- (11) Butée parallèle
- (12) Capot de protection à mouvement pendulaire
- (13) Levier de réglage pour capot de protection à mouvement pendulaire
- (14) Plaque de base
- (15) Vis papillon pour présélection de l'angle d'inclinaison
- (16) Éjecteur de copeaux
- (17) Clé mâle pour vis à six pans creux
- (18) Vis de serrage avec rondelle
- (19) Flasque de serrage
- (20) Lame de scie circulaire <sup>a)</sup>
- (21) Flasque porte-outil
- (22) Broche de scie
- (23) Vis de fixation de l'adaptateur aspirant <sup>a)</sup>
- (24) Adaptateur aspirant <sup>a)</sup>



- (25) Levier de serrage pour présélection de la profondeur de coupe  
 (26) Échelle graduée de profondeur de coupe  
 (27) Serre-joint<sup>a)</sup>

- (28) Poignée (surface de préhension isolée)  
 a) Les accessoires décrits ou illustrés ne sont pas tous compris dans la fourniture. Vous trouverez les accessoires complets dans notre gamme d'accessoires.

## Caractéristiques techniques

Scie circulaire		GKS 235 Turbo	GKS 235 Turbo	GKS 9
Référence		<b>3 601 EA2 0..</b>	<b>3 601 EA2 0B.</b>	<b>3 601 EA2 00.</b> <b>3 601 EA2 07.</b>
Puissance absorbée nominale	W	2 050	2 050	2 050
Régime à vide	tr/min	5 300	5 300	5 300
Régime maxi sous charge	tr/min	3 500	3 500	3 500
Profondeur de coupe maxi				
– pour angle d'inclinaison de 0°	mm	85	85	85
– pour angle d'inclinaison de 45°	mm	65	65	65
Blocage de broche		●	●	●
Dimensions de la plaque de base	mm	383 x 170	383 x 170	383 x 170
Diamètre de lame maxi	mm	235	235	235
Diamètre de lame mini	mm	230	230	230
Épaisseur de lame maxi	mm	2,2	2,2	2,2
Épaisseur/avoyage maxi des dents	mm	3,2	3,2	3,2
Épaisseur/avoyage mini des dents	mm	2,0	2,0	2,0
Alésage	mm	25	25,4	30
Poids selon EPTA-Procédure 01:2014	kg	7,6	7,6	7,6
Indice de protection		□/II	□/II	□/II

Les données indiquées sont valables pour une tension nominale [U] de 230 V. Elles peuvent varier lorsque la tension diffère de cette valeur et sur certaines versions destinées à certains pays.

L'appareil est conforme aux exigences de la norme CEI 61000-3-11 et est soumis à un raccordement conditionnel. Dans des conditions défavorables, l'appareil peut causer des fluctuations de tension passagères. Cet appareil a une impédance  $Z_{\text{réel}}$  = **0,14 Ω**. L'utilisateur doit s'assurer que l'impédance  $Z_{\text{max}}$  au point de raccordement de l'appareil est telle que :  $Z_{\text{réel}} \geq Z_{\text{max}}$ . Si la valeur de  $Z_{\text{max}}$  n'est pas connue, déterminez  $Z_{\text{max}}$  en concertation avec le fournisseur réseau ou l'autorité compétente.

## Informations sur le niveau sonore/les vibrations

Valeurs d'émissions sonores déterminées conformément à **EN 62841-2-5**.

Le niveau sonore en dB(A) typique de l'outil électroportatif est de : niveau de pression acoustique **92 dB(A)** ; niveau de puissance acoustique **103 dB(A)**. Incertitude K = **3 dB**.

### Portez un casque antibruit !

Valeurs globales de vibration  $a_h$  (somme vectorielle sur les trois axes) et incertitude K conformément à **EN 62841-2-5** : Sciage du bois :  $a_h = 3,3 \text{ m/s}^2$ , K = **1,5 m/s<sup>2</sup>**

Le niveau de vibration et la valeur d'émission sonore indiqués dans cette notice d'utilisation ont été mesurés selon une procédure de mesure normalisée et peuvent être utilisés pour établir une comparaison entre différents outils électroportatifs. Ils peuvent aussi servir de base à une estimation préliminaire du taux de vibration et du niveau sonore.

Le niveau de vibration et la valeur d'émission sonore indiqués s'appliquent pour les utilisations principales de l'outil

électroportatif. Si l'outil électroportatif est utilisé pour d'autres applications, avec d'autres accessoires de travail ou sans avoir fait l'objet d'un entretien régulier, le niveau de vibration et la valeur d'émission sonore peuvent différer. Il peut en résulter des vibrations et un niveau sonore nettement plus élevés pendant toute la durée de travail.

Pour une estimation précise du niveau de vibration et du niveau sonore, il faut aussi prendre en considération les périodes pendant lesquelles l'outil est éteint ou bien en marche sans être vraiment en action. Il peut en résulter au final un niveau de vibration et un niveau sonore nettement plus faibles pendant toute la durée de travail.

Prévoyez des mesures de protection supplémentaires permettant de protéger l'utilisateur de l'effet des vibrations, par exemple : maintenance de l'outil électroportatif et des accessoires de travail, maintien des mains au chaud, organisation des procédures de travail.



## Montage

- **N'utilisez que des lames de scie dont la vitesse de rotation maximale admissible est supérieure au régime à vide de votre outil électroportatif.**

### Montage/changement de la lame de scie

- **Débranchez le câble d'alimentation de la prise avant d'effectuer des travaux quels qu'il soient sur l'outil électroportatif.**
- **Portez toujours des gants de protection pour monter la lame de scie.** Lors d'un contact avec la lame de scie, il y a un risque de blessures.
- **N'utilisez jamais de roues abrasives comme accessoire de travail.**
- **N'utilisez que des lames de scie conformes aux caractéristiques techniques indiquées dans la présente notice d'utilisation et aux données techniques inscrites sur l'outil électroportatif.**

### Choix de la lame de scie

Vous trouverez une vue d'ensemble des lames de scie recommandées à la fin de cette notice d'utilisation.

### Retrait de la lame de scie (voir figure A)

Pour changer de lame, le mieux est de poser l'outil électroportatif sur la partie avant du carter moteur.

- Appuyez sur le bouton de blocage de broche (5) et maintenez-le enfoncé.
- **N'actionnez la touche de blocage de broche (5) que lorsque la broche d'entraînement est à l'arrêt.** L'outil électroportatif risque sinon d'être endommagé.
- Dévissez avec la clé mâle pour vis à six pans creux (17) la vis de serrage (18) dans le sens de rotation ⚙.
- Rabattez vers l'arrière le capot de protection à mouvement pendulaire (12) et tenez-le fermement.
- Dégagez le flasque de serrage (19) et la lame de scie (20) de la broche d'entraînement (22).

### Montage de la lame (voir figure A)

Pour changer l'outil, le mieux est de poser l'outil électroportatif sur la partie avant du carter moteur.

- Nettoyez la lame de scie (20) et tous les éléments de serrage à monter.
- Remplacez le capot de protection à mouvement pendulaire (12) et tenez-le fermement.
- Placez la lame de scie (20) sur la bride porte-outil (21). Le sens de coupe des dents (direction de la flèche sur la lame de scie) et la flèche indiquant le sens de rotation sur le capot de protection (1) doivent coïncider.
- Placez la flasque de serrage (19) et vissez la vis de serrage (18) dans le sens de rotation ⚙. Veillez à la position de montage correcte de la bride porte-outil (21) et de la flasque de serrage (19).
- Appuyez sur la touche de blocage de broche (5) et maintenez-la enfoncée.

- Utilisez la clé hexagonale mâle (17) pour serrer la vis de serrage (18) dans le sens de rotation ⚙. Le couple de serrage doit être de 10 à 12 Nm, ce qui correspond à un serrage manuel plus ¼ de tour.

### Aspiration de poussières/de copeaux

Les poussières de matériaux tels que peintures contenant du plomb, certains bois, minéraux ou métaux, peuvent être nuisibles à la santé. Le contact avec les poussières ou leur inhalation peut entraîner des réactions allergiques et/ou des maladies respiratoires auprès de l'utilisateur ou des personnes se trouvant à proximité.

Certaines poussières telles que les poussières de chêne ou de hêtre sont considérées comme cancérigènes, surtout en association avec des additifs pour le traitement du bois (chromate, lasure). Les matériaux contenant de l'amiante ne doivent être travaillés que par des personnes qualifiées.

- Si possible, utilisez un dispositif d'aspiration des poussières approprié au matériau.
- Veillez à bien aérer la zone de travail.
- Il est recommandé de porter un masque respiratoire avec un niveau de filtration de classe P2.

Respectez les règlements spécifiques aux matériaux à traiter en vigueur dans votre pays.

- **Évitez toute accumulation de poussières sur le lieu de travail.** Les poussières peuvent facilement s'enflammer.

### Monter l'adaptateur d'aspiration (voir figure B)

Enfoncez l'adaptateur d'aspiration (24) sur l'éjecteur de copeaux (16) jusqu'au clic. Sécurisez l'adaptateur d'aspiration (24) avec la vis (23).

Il est possible de raccorder à l'adaptateur d'aspiration (24) un flexible d'aspiration d'un diamètre de 35 mm.

- **L'adaptateur d'aspiration ne doit pas être monté si aucune aspiration externe n'est raccordée.** Le canal d'aspiration risque sinon d'être obturé.
- **Ne pas raccorder un sac à poussières sur l'adaptateur d'aspiration.** Le système d'aspiration risque sinon d'être obturé.

Nettoyez l'adaptateur d'aspiration (24) à intervalles réguliers afin d'assurer une bonne récupération des poussières.

### Aspiration au moyen d'un aspirateur

Cet outil électroportatif peut être branché directement sur la prise d'un aspirateur universel Bosch avec commande à distance. L'aspirateur se met automatiquement en marche dès que l'outil électroportatif est mis en service.

L'aspirateur doit être conçu pour le type de matériau à aspirer.

Pour l'aspiration de poussières particulièrement nuisibles à la santé, cancérigènes ou sèches, utilisez un aspirateur spécial.

En Allemagne, la directive TRGS 553 impose l'utilisation de dispositifs d'aspiration pour les poussières de bois : l'aspiration directe au moyen de filtres est interdite dans le domaine professionnel. Pour les autres matériaux, le professionnel qui utilise l'outil professionnel doit se conformer aux exi-

gences spécifiques de l'association professionnelle compétente.

## Utilisation

- **Débranchez le câble d'alimentation de la prise avant d'effectuer des travaux quels qu'il soient sur l'outil électroportatif.**

### Modes de fonctionnement

#### Réglage de la profondeur de coupe (voir figure C)

- **Adaptez la profondeur de coupe à l'épaisseur de la pièce.** Il convient que moins de la totalité d'une dent parmi toutes les dents de la lame soit visible sous la pièce à travailler.

Desserrez le levier de serrage (25). Pour réduire la profondeur de coupe, éloignez la scie de la plaque de base (14), pour l'augmenter, rapprochez la scie de la plaque (14). Régler la mesure souhaitée sur la graduation de la profondeur de coupe. Resserrez le levier de serrage (25).

La force de serrage du levier de serrage (25) peut être réajustée. Desserrez à cet effet le levier de serrage (25) et serrez-le à nouveau d'au moins 30° dans le sens antihoraire.

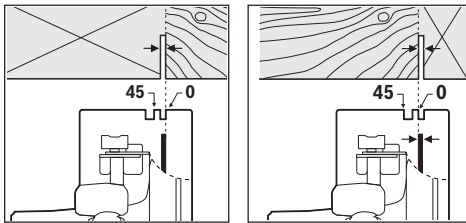
#### Réglage de l'angle d'inclinaison

Nous recommandons de poser l'outil électroportatif sur la partie avant du capot de protection (1).

Desserrez les vis papillon (7) et (15). Faites basculer la scie latéralement. Réglez la mesure souhaitée sur la graduation (6). Resserrez bien les vis papillon (7) et (15).

**Remarque :** Lors des coupes d'onglet, la profondeur de coupe est plus faible que la valeur indiquée sur la graduation de profondeur de coupe (26).

#### Marquages de la ligne de coupe



Le marquage de coupe 0° (10) indique la position de la lame de scie lors d'une coupe à angle droit. Le marquage de coupe 45° (9) indique la position de la lame de scie lors d'une coupe à angle de 45°.

Afin d'obtenir une coupe de grande précision dimensionnelle, positionnez la scie circulaire conformément aux indications sur la figure sur la pièce à travailler. Le mieux est d'effectuer une coupe d'essai.

### Mise en marche

- **Tenez compte de la tension du réseau ! La tension de la source de courant doit correspondre aux indications se trouvant sur la plaque signalétique de l'outil**

**électroportatif. Les outils électroportatifs marqués 230 V peuvent également fonctionner sur 220 V.**

### Mise en marche/arrêt

- **Assurez-vous de pouvoir actionner l'interrupteur Marche/Arrêt sans avoir à relâcher la poignée.**

**3 601 EA2 0K./3 601 EA2 0L./3 601 EA2 0F.:**

Pour **mettre en marche** l'outil électroportatif, actionnez l'interrupteur Marche/Arrêt (3) et maintenez-le enfoncé.

Pour **bloquer** l'interrupteur Marche/Arrêt (3), appuyez en même temps sur la touche de blocage (2).

Pour **arrêter** l'outil électroportatif, relâchez l'interrupteur Marche/Arrêt (3) et, s'il est bloqué avec le bouton de blocage (2), appuyez brièvement sur l'interrupteur Marche/Arrêt (3) puis relâchez-le.

**3 601 EA2 08./3 601 EA2 0B./3 601 EA2 04./3 601 EA2 00./3 601 EA2 07.:**

Pour **démarrer** l'outil électroportatif, actionnez d'abord l'interrupteur de déverrouillage (2) et appuyez **ensuite** sur l'interrupteur Marche/Arrêt (3) en le maintenant enfoncé.

Pour **arrêter** l'outil électroportatif, l'interrupteur Marche/Arrêt (3).

**Remarque :** Pour des raisons de sécurité, il n'est pas possible de verrouiller l'interrupteur Marche/Arrêt (3), qui doit rester constamment enfoncé pendant le travail de sciage.

### Instructions d'utilisation

- **Débranchez le câble d'alimentation de la prise avant d'effectuer des travaux quels qu'il soient sur l'outil électroportatif.**

La largeur de coupe varie selon la lame de scie utilisée.

Protégez les lames contre les chocs et les coups.

Guider l'outil électroportatif de façon régulière et en effectuant une avance modérée dans le sens de la coupe. Une avance trop forte réduit considérablement la durée de vie des outils électroportatifs et peut endommager l'outil électroportatif.

La puissance et la qualité de la coupe dépendent dans une large mesure de l'état et de la forme des dents de la lame de scie. En conséquence, n'utilisez que des lames de scie aiguisées et appropriées aux matériaux à travailler.

### Sciage de bois

Le bon choix de la lame de scie dépend de la nature et de la qualité du bois et du type de coupe à savoir longitudinale ou transversale.

La découpe longitudinale de l'épicéa entraîne la formation de longs copeaux en spirale.

Les poussières de hêtre et de chêne étant particulièrement toxiques, il est recommandé d'utiliser systématiquement un système d'aspiration.

### Sciage avec butée parallèle (voir figure D)

La butée parallèle (11) permet des coupes précises le long du bord de la pièce ou la découpe de bandes régulières.

Desserrez les vis papillon (8) et faites passer la graduation de la butée parallèle (11) à travers le guidage de la plaque de

base (14). Ajustez la largeur de coupe souhaitée sur l'échelle graduée se trouvant sur le marquage de coupe (10) ou (9), voir rubrique « Marquages de la ligne de coupe ». Resserrerz bien la vis papillon (8).

#### Sciage avec butée auxiliaire (voir figure E)

Pour travailler des pièces de dimensions importantes ou pour couper des bords droits, il est possible de monter une planche ou une barre comme butée auxiliaire sur la pièce à travailler et de guider la scie circulaire avec la plaque de base le long de la butée auxiliaire.

## Entretien et Service après-vente

### Nettoyage et entretien

- ▶ **Débranchez le câble d'alimentation de la prise avant d'effectuer des travaux quels qu'il soient sur l'outil électroportatif.**
- ▶ **Tenez toujours propres l'outil électroportatif ainsi que les fentes de ventilation afin d'obtenir un travail impeccable et sûr.**

Dans le cas où il s'avère nécessaire de remplacer le câble d'alimentation, confiez le remplacement à **Bosch** ou une station de Service Après-Vente agréée pour outillage **Bosch** afin de ne pas compromettre la sécurité.

Le capot de protection à mouvement pendulaire doit toujours pouvoir bouger librement et fermer automatiquement. Veillez pour cela à ce que le pourtour du capot de protection à mouvement pendulaire reste propre. Enlevez la poussière et les copeaux à l'aide d'un pinceau.

Les lames de scie sans revêtement de protection peuvent être protégées des risques de corrosion en appliquant une fine couche d'huile non acide. Avant le sciage, enlevez l'huile pour ne pas encrasser le bois.

Les restes de résine ou de colle se trouvant sur la lame de scie entravent la qualité de coupe. En conséquence, nettoyez les lames de scie immédiatement après utilisation.

### Service après-vente et conseil utilisateurs

Notre Service après-vente répond à vos questions concernant la réparation et l'entretien de votre produit et les pièces de rechange. Vous trouverez des vues éclatées et des informations sur les pièces de rechange sur le site :

**www.bosch-pt.com**

L'équipe de conseil utilisateurs Bosch se tient à votre disposition pour répondre à vos questions concernant nos produits et leurs accessoires.

Pour toute demande de renseignement ou toute commande de pièces de rechange, précisez impérativement la référence à 10 chiffres figurant sur l'étiquette signalétique du produit.

#### Maroc

Robert Bosch Morocco SARL  
53, Rue Lieutenant Mahroud Mohamed  
20300 Casablanca  
Tel.: +212 5 29 31 43 27  
E-Mail : sav.outillage@ma.bosch.com

**Vous trouverez d'autres adresses du service après-vente sous :**

[www.bosch-pt.com/serviceaddresses](http://www.bosch-pt.com/serviceaddresses)

### Élimination des déchets

Les outils électroportatifs, ainsi que leurs accessoires et emballages, doivent pouvoir suivre chacun une voie de recyclage appropriée.



Ne jetez pas les outils électroportatifs avec les ordures ménagères !



## Português

## Instruções de segurança

### Instruções gerais de segurança para ferramentas eléctricas

#### AVISO

**Devem ser lidas todas as indicações de segurança,**

**instruções, ilustrações e especificações desta ferramenta eléctrica.** O desrespeito das instruções apresentadas abaixo poderá resultar em choque eléctrico, incêndio e/ou ferimentos graves.

**Guarde bem todas as advertências e instruções para futura referência.**

O termo "ferramenta eléctrica" utilizado a seguir nas indicações de advertência, refere-se a ferramentas eléctricas operadas com corrente de rede (com cabo de rede) e a ferramentas eléctricas operadas com acumulador (sem cabo de rede).

#### Segurança da área de trabalho

- ▶ **Mantenha a sua área de trabalho sempre limpa e bem iluminada.** Desordem ou áreas de trabalho insuficientemente iluminadas podem levar a acidentes.
- ▶ **Não trabalhar com a ferramenta eléctrica em áreas com risco de explosão, nas quais se encontrem líquidos, gases ou pós inflamáveis.** Ferramentas eléctricas produzem faíscas, que podem inflamar pós ou vapores.
- ▶ **Manter crianças e outras pessoas afastadas da ferramenta eléctrica durante a utilização.** No caso de distração é possível que perca o controlo sobre o aparelho.

#### Segurança eléctrica

- ▶ **A ficha de conexão da ferramenta eléctrica deve caber na tomada. A ficha não deve ser modificada de maneira alguma. Não utilizar uma ficha de adaptação junto com ferramentas eléctricas protegidas por**

**ligação à terra.** Fichas não modificadas e tomadas apropriadas reduzem o risco de um choque eléctrico.

- ▶ **Evitar que o corpo possa entrar em contacto com superfícies ligadas à terra, como tubos, aquecimentos, fogões e frigoríficos.** Há um risco elevado devido a um choque eléctrico, se o corpo estiver ligado à terra.
- ▶ **Manter o aparelho afastado de chuva ou humidade.** A infiltração de água numa ferramenta eléctrica aumenta o risco de choque eléctrico.
- ▶ **Não deverá utilizar o cabo para outras finalidades. Nunca utilizar o cabo para transportar a ferramenta eléctrica, para pendurá-la, nem para puxar a ficha da tomada. Manter o cabo afastado do calor, do óleo, de arestas afiadas ou de peças em movimento.** Cabos danificados ou emaranhados aumentam o risco de um choque eléctrico.
- ▶ **Se trabalhar com uma ferramenta eléctrica ao ar livre, só deverá utilizar cabos de extensão apropriados para áreas exteriores.** A utilização de um cabo de extensão apropriado para áreas exteriores reduz o risco de um choque eléctrico.
- ▶ **Se não for possível evitar o funcionamento da ferramenta eléctrica em áreas húmidas, deverá ser utilizado um disjuntor de corrente de avaria.** A utilização de um disjuntor de corrente de avaria reduz o risco de um choque eléctrico.

#### Segurança de pessoas

- ▶ **Esteja atento, observe o que está a fazer e tenha prudência ao trabalhar com a ferramenta eléctrica. Não utilizar uma ferramenta eléctrica quando estiver fatigado ou sob a influência de drogas, álcool ou medicamentos.** Um momento de descuido ao utilizar a ferramenta eléctrica, pode levar a lesões graves.
- ▶ **Utilizar equipamento de protecção individual. Utilizar sempre óculos de protecção.** A utilização de equipamento de protecção pessoal, como máscara de protecção contra pó, sapatos de segurança antiderrapantes, capacete de segurança ou protecção auricular, de acordo com o tipo e aplicação da ferramenta eléctrica, reduz o risco de lesões.
- ▶ **Evitar uma colocação em funcionamento involuntária. Assegure-se de que a ferramenta eléctrica esteja desligada, antes de conectá-la à alimentação de rede e/ou ao acumulador, antes de levantá-la ou de transportá-la.** Se tiver o dedo no interruptor ao transportar a ferramenta eléctrica ou se o aparelho for conectado à alimentação de rede enquanto estiver ligado, poderão ocorrer acidentes.
- ▶ **Remover ferramentas de ajuste ou chaves de boca antes de ligar a ferramenta eléctrica.** Uma ferramenta ou chave que se encontre numa parte do aparelho em movimento pode levar a lesões.
- ▶ **Evite uma posição anormal. Mantenha uma posição firme e mantenha sempre o equilíbrio.** Desta forma é

mais fácil controlar a ferramenta eléctrica em situações inesperadas.

- ▶ **Usar roupa apropriada. Não usar roupa larga nem jóias. Mantenha os cabelos e roupas afastados de peças em movimento.** Roupas frouxas, cabelos longos ou jóias podem ser agarrados por peças em movimento.
- ▶ **Se for possível montar dispositivos de aspiração ou de recolha, assegure-se de que estejam conectados e utilizados correctamente.** A utilização de uma aspiração de pó pode reduzir o perigo devido ao pó.
- ▶ **Não deixe que a familiaridade resultante de uma utilização frequente de ferramentas permita que você se torne complacente e ignore os princípios de segurança da ferramenta.** Uma acção descuidada pode causar ferimentos graves numa fracção de segundo.

#### Utilização e manuseio cuidadoso de ferramentas eléctricas

- ▶ **Não sobrecarregue a ferramenta eléctrica. Utilize a ferramenta eléctrica apropriada para o seu trabalho.** É melhor e mais seguro trabalhar com a ferramenta eléctrica apropriada na área de potência indicada.
- ▶ **Não utilizar uma ferramenta eléctrica com um interruptor defeituoso.** Uma ferramenta eléctrica que não pode mais ser ligada nem desligada, é perigosa e deve ser reparada.
- ▶ **Puxar a ficha da tomada e/ou remover o acumulador, se amovível, antes de executar ajustes na ferramenta eléctrica, de substituir acessórios ou de guardar as ferramentas eléctricas.** Esta medida de segurança evita o arranque involuntário da ferramenta eléctrica.
- ▶ **Guardar ferramentas eléctricas não utilizadas fora do alcance de crianças e não permitir que as pessoas que não estejam familiarizadas com o aparelho ou que não tenham lido estas instruções utilizem o aparelho.** Ferramentas eléctricas são perigosas se forem utilizadas por pessoas inexperientes.
- ▶ **Tratar a ferramenta eléctrica e os acessórios com cuidado. Controlar se as partes móveis do aparelho funcionam perfeitamente e não emperram, e se há peças quebradas ou danificadas que possam prejudicar o funcionamento da ferramenta eléctrica. Permitir que peças danificadas sejam reparadas antes da utilização.** Muitos acidentes têm como causa, a manutenção insuficiente de ferramentas eléctricas.
- ▶ **Manter as ferramentas de corte afiadas e limpas.** Ferramentas de corte cuidadosamente tratadas e com cantos de corte afiados emperram com menos frequência e podem ser conduzidas com maior facilidade.
- ▶ **Utilizar a ferramenta eléctrica, acessórios, ferramentas de aplicação, etc. conforme estas instruções. Considerar as condições de trabalho e a tarefa a ser executada.** A utilização de ferramentas eléctricas para outras tarefas a não ser as aplicações previstas, pode levar a situações perigosas.
- ▶ **Mantenha os punhos e as superfícies de agarrar secas, limpas e livres de óleo e massa consistente.** Punhos e


superfícies de agarrar escorregadias não permitem o manuseio e controle seguros da ferramenta em situações inesperadas.

### Serviço

- ▶ **Só permita que o seu aparelho seja reparado por pessoal especializado e qualificado e só com peças de reposição originais.** Desta forma é assegurado o funcionamento seguro do aparelho.

### Instruções de segurança para serras circulares

#### Procedimentos de corte

- ▶  **PERIGO: Mantenha as mãos afastadas da zona de corte e do disco. Mantenha a segunda mão no punho auxiliar ou na carcaça do motor.** Se usar ambas as mãos para segurar a serra, estas não poderão ser cortadas pelo disco.
- ▶ **Não coloque as mãos por baixo da peça de trabalho.** A proteção não o protege do disco por baixo da peça de trabalho.
- ▶ **Ajuste a profundidade de corte à espessura da peça de trabalho.** Deverá estar visível menos de um dente completo dos dentes do disco por baixo da peça de trabalho.
- ▶ **Nunca apoie a peça nas suas mãos ou sobre a perna enquanto efetua o corte. Fixe a peça numa plataforma estável.** É importante suportar o corpo de forma adequada para minimizar a exposição deste, o bloqueio do disco ou a perda de controlo.
- ▶ **Segure a ferramenta elétrica nas superfícies de agarrar isoladas, ao executar uma operação onde a ferramenta de corte possa entrar em contacto com cabos escondidos ou com o próprio cabo.** O contacto com um fio "sob tensão" irá colocar as partes metálicas expostas da ferramenta elétrica também "sob tensão" e pode dar um choque elétrico ao operador.
- ▶ **Ao efetuar cortes longitudinais, utilize sempre a guia de corte ou a guia de aresta reta.** Isto melhora a precisão de corte e reduz o risco de bloqueio do disco.
- ▶ **Utilize sempre discos com furos interiores com tamanho e forma corretos (diamante versus redondo).** Os discos que não coincidam com o hardware de montagem da serra ficam descentrados, causando perda de controlo.
- ▶ **Nunca utilize anilhas ou um parafuso de disco danificados ou incorretos.** As anilhas e o parafuso de disco foram especialmente concebidos para a sua serra, para excelente rendimento e uma operação segura.

#### Causas do efeito de coice e indicações relacionadas

- o efeito de coice é uma reação súbita a um disco de serra entalado, bloqueado ou desalinhado, causando um levantamento descontrolado da serra e a sua saída da peça de trabalho em direção ao operador;
- quando o disco é entalado ou bloqueado fortemente pelo corte a fechar, o disco para e a reação do motor aciona a unidade rapidamente para trás, em direção ao operador;

- se o disco ficar torcido ou desalinhado no corte, os dentes no chanfro posterior do disco podem entrar na superfície superior da madeira fazendo com que o disco suba para fora do corte e salte para trás, em direção ao operador.

O efeito de coice é o resultado de uma utilização abusiva e/ou condições ou procedimentos incorretos de utilização da serra e pode ser evitado tomando as precauções indicadas abaixo.

- ▶ **Segure a serra com firmeza com as duas mãos e posicione os braços de forma a poder resistir ao efeito de coice. Posicione o seu corpo de qualquer lado do disco, mas não em linha com este.** O efeito de coice pode fazer com que a serra salte para trás, mas as forças do efeito de coice podem ser controladas pelo operador se forem tomadas as devidas precauções.
- ▶ **Quando o disco está bloqueado ou se interromper um corte por qualquer motivo, solte o botão e mantenha a serra imóvel até que o disco pare por completo. Nunca tente retirar a serra da peça ou puxar a serra para trás enquanto o disco estiver em funcionamento, caso contrário pode ocorrer efeito de coice.** Investigue e tome as medidas necessárias para eliminar a causa do bloqueio do disco.
- ▶ **Quando reiniciar a serra com o disco na peça, centre o disco de serra no corte para que os dentes da serra não fiquem engatados no material.** Se um disco de serra bloquear, pode subir ou ressaltar da peça quando a serra é reiniciada.
- ▶ **Apoie painéis grandes para reduzir o risco de entalamento e o efeito de coice do disco.** Os painéis grandes tendem a abater sob o seu próprio peso. Coloque suportes sob o painel, de ambos os lados, junto à linha de corte e junto da extremidade do painel.
- ▶ **Não utilize discos rombos ou danificados.** Os discos não afiados ou mal ajustados produzem um corte estreito, causando fricção excessiva, bloqueio do disco e efeito de coice.
- ▶ **As alavancas de bloqueio do ajuste da profundidade do disco e do chanfro têm de estar apertadas e fixas antes de fazer o corte.** Se o ajuste do disco se deslocar durante o corte, pode causar o bloqueio e o efeito de coice do disco.
- ▶ **Tenha especial cuidado ao efetuar cortes em paredes existentes ou noutras áreas cegas.** O disco protuberante pode cortar objetos que podem provocar um efeito de coice.

#### Função da proteção inferior

- ▶ **Verifique se a proteção inferior está bem fechada antes de cada utilização. Não opere a lâmina se a proteção inferior não se deslocar livremente e fechar de imediato. Nunca fixe ou prenda a proteção inferior na posição aberta.** Se a serra cair acidentalmente, a proteção inferior pode ficar torcida. Levante a proteção inferior com o punho retrátil e certifique-se de que se desloca livremente e não toca no disco ou em qualquer outra parte, em todos os ângulos e profundidades de corte.

- ▶ **Verifique a operação da mola da proteção inferior. Se a proteção e a mola não estiverem a funcionar corretamente, têm de ser reparadas antes da utilização.** A proteção inferior pode funcionar lentamente devido a peças danificadas, depósitos pegajosos ou acumulação de resíduos.
- ▶ **A proteção inferior pode ser retraída manualmente apenas para cortes especiais, como "cortes de imersão" e "cortes compostos". Levante a proteção inferior pelo punho retrátil e assim que o disco entrar no material, a proteção inferior tem de ser solta.** Para todos os outros cortes, a proteção inferior deve operar automaticamente.
- ▶ **Verifique sempre se a proteção inferior está a cobrir o disco antes de colocar a serra sobre a bancada ou no chão.** Um disco desprotegido, a rodar livremente, irá fazer com que a serra se desloque para trás, cortando tudo o que estiver pelo caminho. Tenha atenção ao tempo que leva o disco a parar depois de soltar o botão.

#### Instruções de segurança adicionais

- ▶ **Não insira as mãos na remoção de aparas.** Pode sofrer ferimentos nas peças em rotação.
- ▶ **Não trabalhe com a serra acima do nível da cabeça.** Se o fizer, não terá controlo suficiente sobre a ferramenta elétrica.
- ▶ **Utilizar detetores apropriados, para encontrar cabos escondidos, ou consulte a companhia elétrica local.** O contacto com cabos elétricos pode provocar fogo e choques elétricos. Danos em tubos de gás podem levar à explosão. A penetração num cano de água causa danos materiais ou pode provocar um choque elétrico.
- ▶ **Durante o trabalho, segure a ferramenta elétrica com as duas mãos e providencie uma estabilidade segura.** A ferramenta elétrica é conduzida com maior segurança com ambas as mãos.
- ▶ **Não opere a ferramenta elétrica de forma estacionária.** Ela não é adequada para o funcionamento com mesa de serrar.
- ▶ **Ao fazer um "corte de imersão" que não é executado em ângulo reto, proteja a placa de guia contra deslocamento lateral.** Um deslocamento lateral pode fazer com que o disco de serra emperre, provocando um contragolpe.
- ▶ **Fixar a peça a ser trabalhada.** Uma peça a ser trabalhada fixa com dispositivos de aperto ou com torno de bancada está mais firme do que segurada com a mão.
- ▶ **Espere que a ferramenta elétrica pare completamente, antes de depositá-la.** A ferramenta de aplicação pode emperrar e levar à perda de controlo sobre a ferramenta elétrica.
- ▶ **Não use discos de serra de aço HSS.** Estes discos de serra podem quebrar facilmente.
- ▶ **Não serre metais ferrosos.** As aparas quentes podem incendiar o sistema de aspiração de pó.
- ▶ **Usar uma máscara de proteção contra pó.**

## Descrição do produto e do serviço



**Leia todas as instruções de segurança e instruções.** A inobservância das instruções de segurança e das instruções pode causar choque elétrico, incêndio e/ou ferimentos graves.

Respeite as figuras na parte da frente do manual de instruções.

### Utilização adequada

A ferramenta elétrica é adequada para executar cortes longitudinais e transversais sobre apoios fixos em madeira, com um traçado de corte a direito ou em meia-esquadria. O processamento de metais ferrosos está interdito.

### Componentes ilustrados

A numeração dos componentes ilustrados refere-se à apresentação da ferramenta elétrica na página de esquemas.

- (1) Capa de proteção
- (2) Tecla de fixação para o interruptor de ligar/desligar (3 601 EA2 0K./3 601 EA2 0L./3 601 EA2 0F.)
- (2) Bloqueio de ligação para o interruptor de ligar/desligar (3 601 EA2 08./3 601 EA2 0B./3 601 EA2 04./3 601 EA2 00./3 601 EA2 07.)
- (3) Interruptor de ligar/desligar
- (4) Punho adicional
- (5) Tecla de bloqueio do veio
- (6) Escala de ângulo de meia-esquadria
- (7) Parafuso de orelhas para pré-seleção do ângulo de meia-esquadria
- (8) Parafuso de orelhas para guia paralela
- (9) Marcação de corte 45°
- (10) Marcação de corte 0°
- (11) Guia paralela
- (12) Cobertura de proteção pendular
- (13) Alavanca de ajuste para cobertura de proteção pendular
- (14) Placa de base
- (15) Parafuso de orelhas para pré-seleção do ângulo de meia-esquadria
- (16) Expulsão de aparas
- (17) Chave sextavada interior
- (18) Parafuso tensor com anilha
- (19) Flange de aperto
- (20) Disco de serra<sup>a)</sup>
- (21) Flange de admissão
- (22) Veio da serra
- (23) Parafuso de fixação para adaptador de aspiração<sup>a)</sup>
- (24) Adaptador de aspiração<sup>a)</sup>



- (25) Alavanca tensora para pré-seleção da profundidade de corte
- (26) Escala de profundidade de corte
- (27) Par de sargentos<sup>a)</sup>

- (28) Punho (superfície do punho isolada)
- a) **Acessórios apresentados ou descritos não pertencem ao volume de fornecimento padrão. Todos os acessórios encontram-se no nosso programa de acessórios.**

### Dados técnicos

Serra circular manual		GKS 235 Turbo	GKS 235 Turbo	GKS 9
Número de produto		<b>3 601 EA2 0..</b>	<b>3 601 EA2 0B.</b>	<b>3 601 EA2 00. 3 601 EA2 07.</b>
Potência nominal absorvida	W	2050	2050	2050
N.º de rotações em vazio	r.p.m.	5300	5300	5300
Rotação máx. sob carga	r.p.m.	3500	3500	3500
Máx. profundidade de corte				
– no ângulo de meia-esquadria 0°	mm	85	85	85
– no ângulo de meia-esquadria 45°	mm	65	65	65
Bloqueio do veio		●	●	●
Dimensões placa de base	mm	383 x 170	383 x 170	383 x 170
Diâmetro máx. do disco de serra	mm	235	235	235
Diâmetro mín. do disco de serra	mm	230	230	230
Máx. espessura da base do disco	mm	2,2	2,2	2,2
Máx. espessura/torção dos dentes	mm	3,2	3,2	3,2
Mín. espessura/torção dos dentes	mm	2,0	2,0	2,0
Furo central	mm	25	25,4	30
Peso conforme EPTA-Procedure 01:2014	kg	7,6	7,6	7,6
Classe de proteção		□/II	□/II	□/II

Os dados aplicam-se a uma tensão nominal [U] de 230 V. Com tensões divergentes e em versões específicas do país, estes dados podem variar.

O aparelho cumpre aos requisitos IEC 61000-3-11 e está sujeito a conexão condicional. O aparelho pode causar flutuações ocasionais de voltagem sob condições de energia desfavoráveis. A impedância deste aparelho está definida como  $Z_{\text{atual}} = 0,14 \Omega$ . O utilizador tem de assegurar que o ponto de conexão, com a impedância  $Z_{\text{máx.}}$ , onde o aparelho deve ser conectado cumpre o requisito de impedância:  $Z_{\text{atual}} \geq Z_{\text{máx.}}$ . Se  $Z_{\text{máx.}}$  é desconhecido, determine  $Z_{\text{máx.}}$  em consulta com o fornecedor da rede ou autoridade de fornecimento.

### Informação sobre ruídos/vibrações

Os valores de emissão de ruído foram determinados de acordo com **EN 62841-2-5**.

O nível sonoro avaliado como A da ferramenta elétrica é normalmente de: nível de pressão sonora **92 dB(A)**; nível de potência sonora **103 dB(A)**. Incerteza  $K = 3$  dB.

#### Utilizar proteção auditiva!

Valores totais de vibração  $a_{\text{h}}$  (soma dos vetores das três direções) e incerteza  $K$  determinada segundo

#### **EN 62841-2-5:**

Serrar madeira:  $a_{\text{h}} = 3,3 \text{ m/s}^2$ ,  $K = 1,5 \text{ m/s}^2$

O nível de vibrações indicado nestas instruções e o valor de emissões sonoras foram medidos de acordo com um processo de medição normalizado pela norma EN e podem ser utilizados para a comparação de ferramentas elétricas. Também são adequados para uma avaliação provisória das emissões sonoras e de vibrações.

O nível de vibrações indicado e o valor de emissões sonoras representam as aplicações principais da ferramenta elétrica. Se a ferramenta elétrica for utilizada para outras aplicações, com outras ferramentas de trabalho ou com manutenção insuficiente, é possível que o nível de vibrações e de emissões sonoras seja diferente. Isto pode aumentar sensivelmente a emissão sonora e de vibrações para o período completo de trabalho.

Para uma estimativa exata da emissão sonora e de vibrações, também deveriam ser considerados os períodos nos quais o aparelho está desligado ou funciona, mas não está sendo utilizado. Isto pode reduzir a emissão sonora e de vibrações durante o completo período de trabalho. Além disso também deverão ser estipuladas medidas de segurança para proteger o operador contra o efeito de vibrações, como por exemplo: manutenção de ferramentas elétricas e acessórios, manter as mãos quentes e organização dos processos de trabalho.



## Montagem

- ▶ **Só utilizar discos de serra com uma máxima velocidade admissível superior à velocidade da marcha em vazio da ferramenta elétrica.**

### Introduzir/substituir o disco da serra circular

- ▶ **Antes de todos trabalhos na ferramenta elétrica deverá puxar a ficha de rede da tomada.**
- ▶ **Para a montagem do disco de serra é necessário usar luvas de proteção.** Há perigo de lesões no caso de um contacto com o disco de serra.
- ▶ **Nunca utilizar discos abrasivos como ferramentas de trabalho.**
- ▶ **Só utilizar discos de serra que correspondam aos dados característicos indicados nesta instrução de serviço e na ferramenta elétrica.**

### Selecionar disco de serra

Encontra um resumo dois discos de serra recomendados no final destas instruções.

### Desmontar disco de serra (ver figura A)

Coloque a ferramenta elétrica para a troca de ferramenta sobre o topo da carcaça do motor.

- Prima e mantenha premida a tecla de bloqueio do veio (5).
- ▶ **Só acione a tecla de bloqueio do veio (5) com o veio de retificação parado.** Caso contrário é possível que a ferramenta elétrica seja danificada.
- Desaperte com a chave sextavada interior (17) o parafusos tensor (18) no sentido de rotação ⚙.
- Vire a tampa de proteção pendular (12) para trás e segure a mesma.
- Retire o flange de admissão (19) e o disco de serra (20) do veio da serra (22).

### Montar o disco de serra (ver figura A)

Coloque a ferramenta elétrica para a troca de ferramenta sobre o topo da carcaça do motor.

- Limpe o disco de serra (20) e todos os meus elementos de aperto a montar.
- Vire a tampa de proteção pendular (12) para trás e segure a mesma.
- Coloque o disco de serra (20) no flange de admissão (21). O sentido de corte dos dentes (sentido das setas no disco de serra) e a seta do sentido de rotação na tampa de proteção (1) têm de coincidir.
- Coloque o flange de admissão (19) e aperte o parafuso tensor (18) no sentido de rotação ⚙. Certifique-se da posição de montagem correta do flange de admissão (21) e do flange de aperto (19).
- Prima e mantenha premida a tecla de bloqueio do veio (5).
- Com uma chave de sextavado interior (17), aperte o parafuso de aperto (18) no sentido de rotação ⚙. O

binário de aperto deve ser de 10–12 Nm, o que corresponde ao aperto manual mais ¼ de volta.

### Aspiração de pó/de aparas

Pós de materiais como por exemplo, tintas que contém chumbo, alguns tipos de madeira, minerais e metais, podem ser nocivos à saúde. O contacto ou a inalação dos pós pode provocar reações alérgicas e/ou doenças nas vias respiratórias do utilizador ou das pessoas que se encontrem por perto.

Certos pós, como por exemplo pó de carvalho e faia são considerados como sendo cancerígenos, especialmente quando juntos com substâncias para o tratamento de madeiras (cromato, produtos de proteção da madeira). Material que contém asbesto só deve ser processado por pessoal especializado.

- Se possível deverá usar um dispositivo de aspiração de pó apropriado para o material.
- Assegurar uma boa ventilação do local de trabalho.
- É recomendável usar uma máscara de proteção respiratória com filtro da classe P2.

Observe as diretivas para os materiais a serem processados, vigentes no seu país.

- ▶ **Evite a acumulação de pó no local de trabalho.** Pós podem entrar levemente em ignição.

### Montar adaptador de aspiração (ver figura B)

Insira o adaptador de aspiração (24) na expulsão de aparas (16) até engatar. Fixe o adaptador de aspiração (24) adicionalmente com o parafuso (23).

Ao adaptador de aspiração (24) é possível ligar uma mangueira de aspiração com um diâmetro de 35 mm.

- ▶ **O adaptador de aspiração não pode estar montado sem aspiração externa ligada.** Caso contrário o canal de aspiração pode ser obstruído.
- ▶ **No adaptador de aspiração não pode ser ligado um saco coletor do pó.** Caso contrário o sistema de aspiração pode entupir.

Para assegurar uma aspiração otimizada, é necessário que o adaptador de aspiração (24) seja limpo em intervalos regulares.

### Aspiração externa

A ferramenta elétrica pode ser ligada diretamente a uma tomada de um aspirador universal Bosch com dispositivo de arranque remoto. Este é iniciado automaticamente quando se liga a ferramenta elétrica.

O aspirador de pó deve ser apropriado para o material a ser trabalhado.

Utilize um aspirador especial para aspirar pó que seja extremamente nocivo à saúde, cancerígeno ou seco.

Na Alemanha, o TRGS 553 (regulamento técnico para substâncias perigosas alemão) requer dispositivos de aspiração testados para pós de madeira, e a aspiração integrada não pode ser usada no setor comercial. Para outros materiais, o operador profissional deve esclarecer os requisitos especiais com a associação profissional responsável.

## Funcionamento

- ▶ **Antes de todos trabalhos na ferramenta elétrica deverá puxar a ficha de rede da tomada.**

### Modos de operação

#### Ajustar profundidade de corte (ver figura C)

- ▶ **Adapte a profundidade de corte à espessura da peça.**

Deveria estar visível, menos do que uma completa altura de dente por debaixo da peça a ser trabalhada.

Soltar a alavanca de aperto (25). Para profundidades de corte mais pequenas puxe a serra da placa de base (14), para profundidades de corte maiores pressione a serra para a placa de base (14). Ajuste a medida desejada na escala de profundidades de corte. Aperte novamente a alavanca de aperto (25).

A força de aperto da alavanca tensora (25) pode ser reajustada. Para tal, desaperte a alavanca tensora (25) e aperte-a a pelo menos deslocada em 30° para a esquerda.

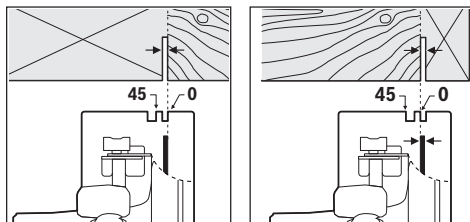
#### Ajustar ao ângulo de meia-esquadria

Coloque a ferramenta elétrica no topo da tampa de proteção (1).

Solte as porcas de orelhas (7) e (15). Deslocar lateralmente o disco de serra. Ajuste a medida desejada na escala (6). Volte a apertar as porcas de orelhas (7) e (15).

**Nota:** No caso de corte em meia-esquadria, a profundidade de corte é inferior ao valor indicado na escala de profundidades de corte (26).

#### Marcações de corte



A marcação de corte 0° (10) indica a posição do disco de serra num corte em ângulo reto. A marcação de corte 45° (9) indica a posição do disco de serra num corte num ângulo de 45°.

Para um corte à medida, coloque a serra circular junto à peça, tal como é ilustrado na imagem. É recomendável executar um corte de teste.

#### Colocação em funcionamento

- ▶ **Observar a tensão de rede! A tensão da fonte de corrente elétrica deve coincidir com os dados que constam na placa de características da ferramenta elétrica. Ferramentas elétricas marcadas para 230 V também podem ser operadas com 220 V.**

#### Ligar/desligar

- ▶ **Certifique-se de que consegue acionar o interruptor de ligar/desligar sem ter de soltar o punho.**

#### 3 601 EA2 0K./3 601 EA2 0L./3 601 EA2 0F.:

Para a **colocação em funcionamento** da ferramenta elétrica deverá pressionar o interruptor de ligar/desligar (3) e mantê-lo pressionado.

Para **fixar** o interruptor de ligar/desligar (3) pressionado, prima o botão de fixação (2).

Para **desligar** ferramenta elétrica liberte o interruptor de ligar/desligar (3) ou, se este estiver bloqueado com o botão de fixação (2), pressione o interruptor de ligar/desligar (3) brevemente e depois liberte-o.

#### 3 601 EA2 08./3 601 EA2 0B./3 601 EA2 04./3 601 EA2 00./3 601 EA2 07.:

Para a **colocação em funcionamento** da ferramenta elétrica, acionar primeiro o bloqueio de ligação (2) e premir **de seguida** o interruptor de ligar/desligar (3) e manter premido.

Para **desligar** a ferramenta elétrica, liberte o interruptor de ligar/desligar (3).

**Nota:** Por motivos de segurança o interruptor de ligar/desligar (3) não pode ser travado, mas deve permanecer premido durante o funcionamento.

### Instruções de trabalho

- ▶ **Antes de todos trabalhos na ferramenta elétrica deverá puxar a ficha de rede da tomada.**

A largura de corte varia de acordo com a lâmina de serra utilizada.

Proteger os discos de serra contra golpes e pancadas.

Desloque a ferramenta elétrica uniformemente e com ligeiro avanço no sentido de corte. Um avanço muito forte reduz consideravelmente a durabilidade dos acessórios e pode prejudicar a ferramenta elétrica.

A potência de serragem e a qualidade de corte dependem do estado e da forma dos dentes do disco de serra. Portanto só deverá utilizar discos de serra afiados e apropriados para o material a ser trabalhado.

#### Serrar madeira

A seleção correta do disco de serra depende do tipo de madeira, da qualidade da madeira e se são necessários cortes longitudinais ou transversais.

Cortes longitudinais em abeto são produzidas aparas em formato espiral.

O pó de faia e carvalho são especialmente prejudiciais para a saúde, por isso trabalhe sempre com aspiração de pó.

#### Serrar com guia paralela (ver figura D)

A guia paralela (11) permite cortes exatos ao longo da aresta da peça, ou seja, o corte de tiras iguais.

Solte a porca de orelhas (8) e empurre a escala da guia paralela (11) pela guia da placa de base (14). Ajuste a largura de corte desejada como valor de escala na respetiva marcação de corte (10) ou (9), ver seção "Marcações de corte". Aperte novamente a porca de orelhas (8).

### Serrar com encosto auxiliar (ver figura E)

Para o processamento de peças maiores ou para cortar arestas a direito, pode fixar uma tábua ou uma ripa como encosto auxiliar na peça e introduzir a serra circular com a placa de base ao longo do encosto auxiliar.

## Manutenção e assistência técnica

### Manutenção e limpeza

- ▶ **Antes de todos trabalhos na ferramenta elétrica deverá puxar a ficha de rede da tomada.**
- ▶ **Manter a ferramenta elétrica e as aberturas de ventilação sempre limpas, para trabalhar bem e de forma segura.**

Se for necessário instalar um cabo de ligação, a instalação deve ser feita pela **Bosch** ou por um centro de serviço autorizado para ferramentas elétricas **Bosch**, para evitar perigos de segurança.

A cobertura de proteção pendular tem de poder movimentar-se sempre livremente e fechar-se automaticamente. Portanto, deverá manter a área em volta da cobertura de proteção pendular sempre limpa. Elimine pó e aparas com um pincel.

Os discos de serra não revestidos podem ser protegidos contra a formação de corrosão com uma camada fina de óleo. Remover o óleo antes de serrar, caso contrário poderão surgir nódoas na madeira.

Resíduos de resina ou de aglutinante no disco de serra reduzem a qualidade de corte. Portanto deverá sempre limpar o disco de serra imediatamente após a utilização.

### Serviço pós-venda e aconselhamento

O serviço pós-venda responde às suas perguntas a respeito de serviços de reparação e de manutenção do seu produto, assim como das peças sobressalentes. Desenhos explodidos e informações acerca das peças sobressalentes também em: [www.bosch-pt.com](http://www.bosch-pt.com)

A nossa equipa de consultores Bosch esclarece com prazer todas as suas dúvidas a respeito dos nossos produtos e acessórios.

Indique para todas as questões e encomendas de peças sobressalentes a referência de 10 dígitos de acordo com a placa de características do produto.

#### Brasil

Robert Bosch Ltda. – Divisão de Ferramentas Elétricas  
Rodovia Anhanguera, Km 98 - Parque Via Norte  
13065-900, CP 1195  
Campinas, São Paulo  
Tel.: 0800 7045 446  
[www.bosch.com.br/contato](http://www.bosch.com.br/contato)

**Encontra outros endereços da assistência técnica em:**  
[www.bosch-pt.com/serviceaddresses](http://www.bosch-pt.com/serviceaddresses)

### Eliminação

Ferramentas elétricas, acessórios e embalagens devem ser enviados a uma reciclagem ecológica de matérias-primas.



Não deitar ferramentas elétricas no lixo doméstico!

## Türkçe

### Güvenlik talimatı

#### Elektrikli el aletleri için genel güvenlik uyarıları

##### ⚠ UYARI

**Bu elektrikli el aletiyle birlikte gelen tüm güvenlik uyarılarını,**

**talimatları, resim ve açıklamaları okuyun.** Aşağıda bulunan talimatlara uyulmaması halinde elektrik çarpmalarına, yangınlara ve/veya ağır yaralanmalara neden olabilir.

**Bütün uyarıları ve talimat hükümlerini ileride kullanmak üzere saklayın.**

Uyarı ve talimat hükümlerinde kullanılan "elektrikli el aleti" terimi, akım şebekesine bağlı (elektrikli) aletlerle akü ile çalışan aletleri (akülü) kapsamaktadır.

#### Çalışma yeri güvenliği

- ▶ **Çalıştığınız yeri temiz tutun ve iyi aydınlatın.** Dağınık veya karanlık alanlar kazalara davetiye çıkarır.
- ▶ **Yakınında patlayıcı maddeler, yanıcı sıvı, gaz veya tozların bulunduğu yerlerde elektrikli el aleti ile çalışmayın.** Elektrikli el aletleri, toz veya buharların tutuşmasına neden olabilecek kıvılcımlar çıkarırlar.
- ▶ **Elektrikli el aleti ile çalışırken çocukları ve etraftaki kişileri uzakta tutun.** Dikkatiniz dağılacak olursa aletin kontrolünü kaybedebilirsiniz.

#### Elektrik güvenliği

- ▶ **Elektrikli el aletinin fişi prize uymalıdır. Fişi hiçbir zaman değiştirmeyin. Korumalı (topraklanmış) elektrikli el aletleri ile birlikte adaptör fiş kullanmayın.** Değiştirilmemiş fiş ve uygun priz elektrik çarpmaya tehlikesini azaltır.
- ▶ **Borular, kalorifer petekleri, ısıtıcılar ve buzdolapları gibi topraklanmış yüzeylerle vücudunuzun temas etmesinden kaçınınız.** Vücudunuz topraklandığı anda büyük bir elektrik çarpmaya tehlikesi ortaya çıkar.
- ▶ **Elektrikli el aletlerini yağmur altında veya nemli ortamlarda bırakmayın.** Suyun elektrikli el aleti içine sızması elektrik çarpmaya tehlikesini artırır.
- ▶ **Kabloya zarar vermeyin. Elektrikli el aletini kablodan tutarak taşımayın, kabloyu kullanarak çekmeyin veya kablodan çekerek fişi çıkarmayın. Kabloyu ateş, yanıcı ve/veya keskin ve hareket eden**

**maddelerden uzak tutun.** Hasarlı veya dolaşmış kablo elektrik çarpmaya tehlikesini artırır.

- ▶ **Bir elektrikli el aleti ile açık havada çalışırken mutlaka açık havada kullanılmaya uygun uzatma kablosu kullanın.** Açık havada kullanılmaya uygun uzatma kablosunun kullanılması elektrik çarpmaya tehlikesini azaltır.
- ▶ **Elektrikli el aletinin nemli ortamlarda çalıştırılması şartsa mutlaka kaçak akım koruma rölesi kullanın.** Kaçak akım koruma rölesi şalterinin kullanımı elektrik çarpmaya tehlikesini azaltır.

#### Kişilerin Güvenliği

- ▶ **Dikkatli olun, ne yaptığınıza dikkat edin, elektrikli el aleti ile işinizi makul bir tempo ve yöntemle yürütün.** Yorgunsanız, kullandığınız hapların, ilaçların veya alkolün etkisinde iseniz elektrikli el aletini kullanmayın. Elektrikli el aletini kullanırken bir anki dikkatsizlik önemli yaralanmalara neden olabilir.
- ▶ **Daima kişisel koruyucu donanım kullanın. Daima koruyucu gözlük kullanın.** Elektrikli el aletinin türü ve kullanımına uygun olarak; toz maskesi, kaymayan iş ayakkabıları, koruyucu kask veya koruyucu kulaklık gibi koruyucu donanım kullanımı yaralanma tehlikesini azaltır.
- ▶ **Aleti yanlışlıkla çalıştırmaktan kaçının. Güç kaynağına ve/veya aküye bağlamadan, elinize alıp taşımadan önce elektrikli el aletinin kapalı olduğundan emin olun.** Elektrikli el aletini parmağınız şalter üzerinde dururken taşırsanız ve elektrikli el aleti açıkken fişi prize sokarsanız kazalara neden olabilirsiniz.
- ▶ **Elektrikli el aletini çalıştırmadan önce ayar aletlerini veya anahtarları aletten çıkarın.** Elektrikli el aletinin dönen parçaları içinde bulunabilecek bir yardımcı alet yaralanmalara neden olabilir.
- ▶ **Çalışırken vücudunuz anormal durumda olmasın. Çalışırken duruşunuz güvenli olsun ve dengeyi her zaman koruyun.** Bu sayede elektrikli el aletini beklenmedik durumlarda daha iyi kontrol edebilirsiniz.
- ▶ **Uygun iş elbiseleri giyin. Geniş giysiler giymeyin ve takı takmayın. Saçlarınızı ve giysileriniz aletini hareketli parçalarından uzak tutun.** Bol giysiler, uzun saçlar veya takılar aletini hareketli parçaları tarafından tutulabilir.
- ▶ **Toz emme donanımı veya toz tutma tertibatı kullanırken, bunların bağlı olduğundan ve doğru kullanıldığından emin olun.** Toz emme donanımının kullanımı tozdan kaynaklanabilecek tehlikeleri azaltır.
- ▶ **Aletleri sık kullanmanız sebebiyle onlara alışmış olmanız, güvenlik prensiplerine uymanızı önlememlidir.** Dikkatsiz bir hareket, bir anda ciddi yaralanmalara yol açabilir.

#### Elektrikli el aletlerinin kullanımı ve bakımı

- ▶ **Elektrikli el aletini aşırı ölçüde zorlamayın. Yaptığınız işe uygun elektrikli el aletleri kullanın.** Uygun performanslı elektrikli el aleti ile, belirlenen çalışma alanında daha iyi ve güvenli çalışırsınız.

- ▶ **Şalteri bozuk olan elektrikli el aletini kullanmayın.** Açılıp kapanamayan bir elektrikli el aleti tehlikelidir ve onarılmalıdır.
- ▶ **Elektrikli el aletinde bir ayarlama işlemine başlamadan, herhangi bir aksesuarı değiştirirken veya elektrikli el aletini elinizden bırakırken fişi güç kaynağından çekin veya aküyü çıkarın.** Bu önlem, elektrikli el aletinin yanlışlıkla çalışmasını önler.
- ▶ **Kullanım dışı duran elektrikli el aletlerini çocukların ulaşamayacağı bir yerde saklayın. Aleti kullanmayı bilmeyen veya bu kullanım kılavuzunu okumayan kişilerin aletle çalışmasına izin vermeyin.** Deneyimsiz kişiler tarafından kullanıldığında elektrikli el aletleri tehlikelidir.
- ▶ **Elektrikli el aletinizin ve aksesuarlarınızın bakımını özenle yapın.** Elektrikli el aletinizin kusursuz olarak çalışmasını engelleyebilecek bir durumun olup olmadığını, hareketli parçaların kusursuz olarak işlev görüp görmediklerini ve sıkışıp sıkışmadıklarını, parçaların hasarlı olup olmadığını kontrol edin. Elektrikli el aletini kullanmaya başlamadan önce hasarlı parçaları onartın. Birçok iş kazası elektrikli el aletlerine yeterli bakım yapılmamasından kaynaklanır.
- ▶ **Kesici uçları daima keskin ve temiz tutun.** Özenle bakımı yapılmış keskin kenarlı kesme uçlarının malzeme içinde sıkışma tehlikesi daha azdır ve daha rahat kullanım olanağı sağlarlar.
- ▶ **Elektrikli el aletini, aksesuarı, uçları ve benzerlerini, bu özel tip alet için öngörülen talimata göre kullanın. Bu sırada çalışma koşullarını ve yaptığınız işi dikkate alın.** Elektrikli el aletlerinin kendileri için öngörülen alanın dışında kullanılması tehlikeli durumlara neden olabilir.
- ▶ **Tutamak ve kavrama yüzeylerini kuru, yağsız ve temiz tutun.** Kaygan tutamak ve kavrama yüzeyleri, aletini beklenmeyen durumlarda güvenli şekilde tutulmasını ve kontrol edilmesini engeller.

#### Servis

- ▶ **Elektrikli el aletinizi sadece yetkili personele ve orijinal yedek parça kullanma koşulu ile onartın.** Bu sayede elektrikli el aletinin güvenliğini sürekli hale getirirsiniz.

#### Daire testereler için güvenlik talimatı

##### Kesme prosedürleri

- ▶ **⚠ TEHLİKE: Ellerinizi bıçağın kesme alanından uzak tutun. İkinci elinizi ek tutamak veya motor gövdesi üzerine yerleştirin.** İki elinizle birden testereyi tutarsanız bıçak ellerinizi kesemez.
- ▶ **İş parçasının altına elinizi uzatmayın.** Koruma sizi iş parçasının altındayken bıçaktan koruyamaz.
- ▶ **Kesme derinliğini iş parçasının kalınlığına göre ayarlayın.** İş parçasının altından bıçağın bir tam dışından daha az bir kısmı görünmelidir.
- ▶ **Kesim sırasında iş parçasını asla elinizde veya bacaklarınızın arasında tutmayın. İş parçasını sabit bir**

**platformda emniyete alın.** Vücudunuza gelmesini, bıçak sıkışmasını veya kontrol kaybını en aza etmek için çalışırken doğru biçimde desteklemek çok önemlidir.

- ▶ **Bir çalışma sırasında kesme aletinin gizli bir kablo sistemi veya kendi kablosuyla temas etme ihtimali varsa elektrikli el aletini izolasyonlu tutamak yüzeylerinden tutun.** "İçinden elektrik geçen" bir kabloyla temas edilmesi, elektrikli el aletinin metal parçalarının "elektriğe" maruz kalmasına ve operatöre elektrik çarpmasına neden olabilir.
- ▶ **Yarma yaparken her zaman bir yarma çiti veya düz kenar kılavuzu kullanın.** Bu, kesimin doğruluğunu artırır ve bıçak sıkışması riskini azaltır.
- ▶ **Her zaman mil deliklerine göre doğru boyutta ve biçimde (elmas veya yuvarlak) olan bıçakları kullanın.** Testerenin montaj donanımına uymayan bıçaklar merkezden kaçır ve kontrol kaybına neden olur.
- ▶ **Asla hasarlı veya yanlış bıçak pulları veya somun kullanmayın.** Bıçak pulları ve somun optimum performans ve işlem güvenliği sağlamak amacıyla testereniz için özel olarak tasarlanmıştır.

#### Geri tepme nedenleri ve ilgili uyarılar

- geri tepme sıkışmış, takılmış veya kötü ayarlanmış bir testere bıçağının ani tepkisidir ve testere kontrol edilemiyorsa aniden iş parçasından çıkıp kalkmasına ve kullanıcıya çarpmasına neden olur;
- çentik kapandığında bıçak sıkışır veya takılır, bıçak durur ve motorun tepkisi makineyi aniden kullanıcıya doğru geri iter;
- kesme sırasında bıçak bükülürse veya ayarı bozulursa bıçağın arka ucundaki diş ahsabın üst yüzüne gömülür ve bıçağın çentikten dışarı çıkmasına ve kullanıcıya doğru sıçramasına neden olur.

Geri tepme, testerenin yanlış kullanımının ve/veya yanlış çalışma prosedürlerinin ya da koşullarının bir sonucudur ve aşağıdaki uygun önlemlerin alınması ile engellenebilir.

- ▶ **Testereyi iki elinizle sıkıca tutun ve kollarınızı geri tepme güçlerine direnebilecek biçimde konumlandırın.** Gövdenizi bıçağın herhangi bir yanında tutun ama bıçak ile aynı hizada durmayın. Geri tepme bıçağın arkaya doğru hareket etmesine neden olur, ama gerekli önlemler alınırsa geri tepme kuvveti kullanıcı tarafından kontrol edilebilir.
- ▶ **Bıçak sıkışmışsa veya kesme işlemine herhangi bir nedenden dolayı ara veremezseniz tetiği serbest bırakın ve bıçak tamamen durana kadar testereyi malzeme içinde tutun.** Testereyi kesinlikle hareket halindeyken kesme noktasından çıkarmayı veya geri çekmeyi denemeyin, aksi takdirde geri tepme meydana gelebilir. Bıçağın sıkışmasının nedeni bulun ve problemi çözmek için gereken önlemleri alın.
- ▶ **Testereyi iş parçası içinde yeniden çalıştırdığınızda testere bıçağını çentik içinde merkezleyin, böylece testere dişi malzemeye temas etmez.** Testere bıçağı takılırsa testere yeniden çalıştırıldığında yukarı doğru hareket edebilir veya iş parçasından geri tepebilir.

- ▶ **Büyük panellerle çalışırken bıçak sıkışması ve geri tepme riskini en aza indirmek için panelleri destekleyin.** Büyük paneller kendi ağırlıkları sayesinde esnemeye meyillidir. Panelin altına her iki taraftan kesme hattına yakın biçimde ve panelin kenarına yakın yerlere destekler yerleştirilmelidir.
- ▶ **Küt veya hasarlı bıçakları kullanmayın.** Keskin olmayan veya yanlış ayarlanan bıçaklar dar çentik oluşturur, bu da fazla sürtünmeye, bıçak sıkışmasına ve geri tepmeye neden olur.
- ▶ **Bıçak derinliği ve gönye ayarlama kilit kolları sıkı olmalıdır ve kesmeye başlamadan önce emniyete alınmalıdır.** Eğer kesme sırasında bıçak ayarları bozulursa bu durum sıkışmaya ve geri tepmeye neden olabilir.
- ▶ **Mevcut duvarlarda veya kör alanlarda testereleme yaparken özellikle dikkat edin.** Çıkıntılı bıçak, geri tepmeye neden olabilecek nesnelere kesebilir.

#### Alt koruma fonksiyonu

- ▶ **Her kullanımdan önce alt korumanın doğru kapanıp kapanmadığını kontrol edin. Eğer alt koruma serbestçe hareket etmiyorsa ve hemen kapanmıyorsa testereyi çalıştırmayın. Alt korumayı kesinlikle açık pozisyonda sıkıştırmayın ve bağlamayın.** Eğer testere yanlışlıkla düşürülürse alt koruma bükülebilir. Çekme tutamağıyla alt korumayı kaldırın ve serbestçe hareket edip etmediğini, bıçağa ve diğer parçalara temas edip etmediğini her açıda ve her kesme derinliğinde kontrol edin.
- ▶ **Alt koruma yayının çalışıp çalışmadığını kontrol edin. Eğer koruma ve yay düzgün çalışmıyorsa el aletini kullanmadan önce bakım yapılmalıdır.** Hasarlı parçalar, esnek birikintiler veya sıkışan artıklar nedeniyle alt koruma zor hareket edebilir.
- ▶ **Alt koruma sadece "daldırmalı kesimler" ve "bileşik kesimler" gibi özel kesimlerde manuel olarak çekilebilir. Alt korumayı çekme tutamağından çekerek kaldırın ve bıçak malzemeye girer girmez alt korumayı serbest bırakın.** Tüm diğer testereleme işlerinde alt koruma otomatik olarak çalışmalıdır.
- ▶ **Testereyi tezgaha veya zemine yerleştirmeden önce her zaman alt korumanın bıçağı örttüğünden emin olun.** Korumasız, desteksiz bir bıçak testerenin geriye doğru hareket etmesine ve yoluna çıkan her şeyi kesmesine neden olur. Anahtar serbest bırakıldıktan sonra bıçağın durmasının ne kadar sürdüğüne dikkat edin.

#### Ek güvenlik talimatı

- ▶ **Talaş atma yerini elinizle kavramayın.** Dönen parçalar tarafından yaralanabilirsiniz.
- ▶ **Testereyi başınıızın üstünde tutarak çalışmayın.** Bu şekilde elektrikli el aleti üzerinde yeterli kontrolü sağlayamazsınız.
- ▶ **Görünmeyen ikmal hatlarını belirlemek için uygun tarama cihazları kullanın veya yerel tedarik şirketi ile iletişime geçin.** Elektrik kablolarıyla temas yanıklara ve elektrik çarpmasına neden olabilir. Bir gaz borusuna hasar

vermek patlamaya neden olabilir. Su borularının hasar görmesi maddi zararlara veya elektrik çarpmasına neden olabilir.

- ▶ **Çalışırken elektrikli el aletini iki elinizle sıkıca tutun ve duruşunuzun güvenli olmasına dikkat edin.** Elektrikli el aleti iki elle daha güvenli kullanılır.
- ▶ **Bu elektrikli el aletini sabit olarak kullanmayın.** Bu alet kesme masasında kullanılmak üzere tasarlanmamıştır.
- ▶ **Dik açılı olmayan „Malzeme içine dalmalı“ kesme işlerinde, testerenin kılavuz plakasının yana doğru kaymaması için gerekli önlemleri alın.** Yana doğru kaydığı takdirde testere bıçağı sıkışabilir ve geri tepme kuvveti oluşabilir.
- ▶ **İş parçasını emniyete alın.** Bir germe tertibatı veya mengine ile sabitlenen iş parçası elle tutmaya oranla daha güvenli tutulur.
- ▶ **Elinizden bırakmadan önce elektrikli el aletin tam olarak durmasını bekleyin.** Uç takılabilir ve elektrikli el aletin kontrolünü kaybedebilirsiniz.
- ▶ **HSS çelik testere bıçakları kullanmayın.** Bu testere bıçakları kolayca kırılabilir.
- ▶ **Demir içeren metalleri kesmeyin.** Akkor halindeki talaşlar toz emme donanımında tutuşmaya neden olabilir.
- ▶ **Koruyucu toz maskesi kullanın.**

## Ürün ve performans açıklaması



**Bütün güvenlik talimatını ve uyarıları okuyun.** Güvenlik talimatlarına ve uyarılara uyulmadığı takdirde elektrik çarpmasına, yangına ve/veya ciddi yaralanmalara neden olunabilir.

Lütfen kullanma kılavuzunun ön kısmındaki resimlere dikkat edin.

### Usulüne uygun kullanımı

Bu elektrikli el aleti, sabit bir tabanda düz hatlı uzunlamasına ve çapraz kesim işleri ile ahşapta gönyeli kesme işleri için tasarlanmıştır.

Bu aletle demirli metal malzemenin işlenmesine izin yoktur.

### Şekli gösterilen elemanlar

Şekli gösterilen elemanların numaraları grafik sayfasındaki elektrikli el aleti resmindeki numaralarla aynıdır.

- (1) Koruma kapağı
- (2) Açma/kapama şalteri sabitleme tuşu (3 601 EA2 0K./3 601 EA2 0L./3 601 EA2 0F.)
- (2) Açma/kapama şalteri kapama emniyeti (3 601 EA2 08./3 601 EA2 0B./3 601 EA2 04./3 601 EA2 00./3 601 EA2 07.)
- (3) Açma/kapama şalteri
- (4) İlave tutamak
- (5) Mil kilitleme tuşu
- (6) Gönye açısı skalası
- (7) Gönye açısı ön seçimi için kelebek vida
- (8) Paralellik mesnedi kelebek vidası
- (9) Kesme işareti 45°
- (10) Kesme işareti 0°
- (11) Paralellik mesnedi
- (12) Pandül koruma kapağı
- (13) Pandül koruma kapağı ayar kolu
- (14) Taban plakası
- (15) Gönye açısı ön seçimi için kelebek vida
- (16) Talaş atma yeri
- (17) İç altıgen anahtar
- (18) Pullu sıkma vidası
- (19) Bağlama flanşı
- (20) Daire testere bıçağı<sup>a)</sup>
- (21) Bağlantı flanşı
- (22) Testere mili
- (23) Emme adaptörü sabitleme vidası<sup>a)</sup>
- (24) Emme adaptörü<sup>a)</sup>
- (25) Kesme derinliği ön seçimi sıkma kolu
- (26) Kesme derinliği skalası
- (27) Vidalı işkence çifti<sup>a)</sup>
- (28) Tutamak (izolasyonlu tutamak yüzeyi)

a) **Şekli gösterilen veya tanımlanan aksesuar standart teslimat kapsamında değildir. Aksesuarın tümünü aksesuar programımızda bulabilirsiniz.**

### Teknik veriler

Daire testere		GKS 235 Turbo	GKS 235 Turbo	GKS 9
Malzeme numarası		<b>3 601 EA2 0..</b>	<b>3 601 EA2 0B.</b>	<b>3 601 EA2 00. 3 601 EA2 07.</b>
Giriş gücü	W	2050	2050	2050
Boştaki devir sayısı	dev/dak	5300	5300	5300
Maks. yük devir sayısı	dev/dak	3500	3500	3500
Maks. kesme derinliği				
- 0° gönye açısında	mm	85	85	85



Daire testere	GKS 235 Turbo	GKS 235 Turbo	GKS 9
- 45° gönye açısında	mm	65	65
Mil kilidi		●	●
Taban levhası ölçüleri	mm	383 x 170	383 x 170
Maks. testere bıçağı çapı	mm	235	235
Min. testere bıçağı çapı	mm	230	230
Maks. bıçak kalınlığı	mm	2,2	2,2
Maks. dış kalınlığı/eğimi	mm	3,2	3,2
Min. dış kalınlığı/eğimi	mm	2,0	2,0
Bağlama deliği	mm	25	25,4
Ağırlık EPTA-Procedure 01:2014 uyarınca	kg	7,6	7,6
Koruma sınıfı		□ / II	□ / II

Veriler 230 V'luk bir anma gerilimi [U] için geçerlidir. Farklı gerilimlerde ve farklı ülkelere özgü tiplerde bu veriler değişebilir.

Cihaz, IEC 61000-3-11 gereksinimlerini karşılamaktadır ve koşullu bağlantıya tabidir. Cihaz, uygun olmayan güç koşullarında ara sıra voltaj dalgalanmalarına neden olabilir. Bu cihazın empedansı,  $Z_{\text{actual}} = 0,14 \Omega$  olarak ayarlanmıştır. Kullanıcı, cihazın bağlanması gereken  $Z_{\text{max}}$  empedansına sahip bağlantı noktasının,  $Z_{\text{actual}} \geq Z_{\text{max}}$  empedans gereksinimini karşıladığından emin olmalıdır.  $Z_{\text{max}}$  bilinmiyorsa, ağ tedarikçisi veya tedarik yetkilisiyle görüşerek  $Z_{\text{max}}$  belirlenmelidir.

## Gürültü/Titreşim bilgisi

Gürültü emisyon değerleri **EN 62841-2-5** uyarınca belirlenmektedir.

Elektrikli el aletinin A ağırlıklı gürültü seviyesi tipik olarak: Ses basıncı seviyesi **92 dB(A)**; ses gücü seviyesi **103 dB(A)**. Tolerans  $K = 3$  dB.

### Kulak koruması kullanın!

Toplam titreşim değerleri  $a_{\text{h}}$  (üç yönün vektör toplamı) ve tolerans **K EN 62841-2-5** uyarınca belirlenmektedir:

Ahşap testereleme:  $a_{\text{h}} = 3,3 \text{ m/s}^2$ ,  $K = 1,5 \text{ m/s}^2$

Bu talimatta belirtilen titreşim seviyesi ve gürültü emisyon değeri standartlaştırılmış ölçme yöntemine göre belirlenmiştir ve elektrikli el aletlerinin birbirleri ile kıyaslanmasında kullanılabilir. Bu değerler aynı zamanda titreşim ve gürültü emisyonunun geçici olarak tahmin edilmesine de uygundur.

Belirtilen titreşim seviyesi ve gürültü emisyon değeri elektrikli el aletinin esas kullanımını temsil etmektedir. Ancak elektrikli el aleti farkı uçlar veya yetersiz bakımla kullanılacak olursa, titreşim seviyesi ve gürültü emisyonu farklılık gösterebilir. Bu da titreşim ve gürültü emisyonunu bütün kullanım süresince önemli ölçüde artırabilir.

Titreşim ve gürültü emisyonunun tam olarak tahmin edilebilmesi için, aletin kapalı olduğu veya açık fakat kullanımda olmadığı sürelerin de dikkate alınması gerekir.

Bu, titreşim ve gürültü emisyonunu bütün çalışma süresinde önemli ölçüde düşürebilir.

Titreşimin kullanıcıya bindirdiği yük için önceden ek güvenlik önlemleri alın. Örneğin: Elektrikli el aletinin ve uçların bakımı, ellerin sıcak tutulması, iş aşamalarının organize edilmesi.

## Montaj

► **Sadece müsaade edilen maksimum hızları elektrikli el aletinin boştaki devir sayısından yüksek olan testere bıçaklarını kullanın.**

### Daire testere bıçağının takılması/değiştirilmesi

- **Elektrikli el aletinin kendinde bir çalışma yapmadan önce her defasında fişi prizden çekin.**
- **Testere bıçağını takarken koruyucu iş eldivenleri kullanın.** Testere bıçağına temas ederseniz yaralanabilirsiniz.
- **Taşıma disklerini hiçbir zaman uç olarak kullanmayın.**
- **Sadece bu kullanma kılavuzunda ve elektrikli el aletinin üzerinde belirtilen tanıtım verilerine uygun testere bıçakları kullanın .**

### Testere bıçağı seçimi

Tavsiye edilen testere bıçaklarına ait genel görünüşü bu kullanma kılavuzunun sonunda bulabilirsiniz.

### Testere bıçağının sökülmesi (Bakınız: Resim A)

Uç değiştirmek için elektrikli el aletini motor gövdesi ön tarafı üzerine yerleştirin.

- Mil kilitleme tuşuna **(5)** basın ve tuşu basılı tutun.
- **Mil kilitleme tuşuna (5) sadece testere mili dururken basın.** Aksi takdirde elektrikli el aleti hasar görebilir.
- İç altıgen anahtarla **(17)** sıkma vidasını **(18)** ⚙ yönünde çevirerek çıkarın.
- Pandül hareketli koruyucu kapağı **(12)** arkaya getirin ve bu konumda tutun.
- Sıkma flanşını **(19)** ve testere bıçağını **(20)** testere milinden **(22)** çıkarın.



**Testere bıçağının takılması (Bakınız: Resim A)**

Uç değiştirmek için elektrikli el aletini motor gövdesi ön tarafı üzerine yerleştirin.

- Testere bıçağını (20) takılacak bütün sıkma parçalarını temizleyin.
- Pandül hareketli koruyucu kapağı (12) geri getirin ve bu konumda tutun.
- Testere bıçağını (20) bağlama flanşına (21) yerleştirin. Dişlerin kesme yönü (testere bıçağı üzerindeki ok yönü) ve koruyucu kapak (1) üzerindeki dönme yönü oku birbiri ile uyumlu olmalıdır.
- Sıkma flanşını (19) yerine yerleştirin ve sıkma vidasını (18) 90° yönünde çevirerek takın. Bağlama flanşı (21) ile sıkma flanşının (19) doğru konumda takılmasına dikkat edin.
- Mil kilitleme tuşuna (5) basın ve tuşu basılı tutun.
- İç altıgen anahtarla (17) sıkma vidasını (18) 90° yönünde çevirerek sıkın. Sıkma torku 10–12 Nm olmalıdır, bu elle sıkma ek olarak ¼ çevirme demektir.

**Toz ve talaş emme**

Kurşun içeren boyalar, bazı ahşap türleri, mineraller ve metaller gibi maddeler işlenirken ortaya çıkan toz sağlığa zararlı olabilir. Bu tozlara temas etmek veya bu tozları solumak alerjik reaksiyonlara ve/veya kullanıcının veya onun yakınındaki kişilerin nefes alma yollarındaki hastalıklara neden olabilir.

Kayın veya meşe gibi bazı ağaç tozları kanserojen etkiye sahiptir, özellikle de ahşap işleme sanayiinde kullanılan katkı maddeleri (kromat, ahşap koruyucu maddeler) ile birlikte. Asbest içeren malzemeler sadece uzmanlar tarafından işlenmelidir.

- Mümkün olduğu kadar işlediğiniz malzemeye uygun bir toz emme tertibatı kullanın.
- Çalışma yerinizi iyi bir biçimde havalandırın.
- P2 filtre sınıfı filtre takılı soluk alma maskesi kullanmanızı tavsiye ederiz.

İşlenen malzemelere ait ülkenizdeki geçerli yönetmelik hükümlerine uyun.

**► Çalıştığınız yerde toz birikmemesine dikkat edin.**

Tozlar kolayca alevlenebilir.

**Emme adaptörünün takılması (Bakınız: Resim B)**

Emme adaptörünü (24) talaş atma yerine (16) kilitleme yapıcaya kadar takın. Emme adaptörünü (24) ek olarak vida (23) ile emniyete alın.

Emme adaptörüne (24) 35 mm çapında bir emme hortumu takılabilir.

- **Emme adaptörü harici toz emme donanımı bağlanmadan takılmamalıdır.** Aksi takdirde emme kanalı tıkanabilir.
- **Emme adaptörüne toz torbası takılamaz.** Aksi takdirde emme sistemi tıkanabilir.

Optimum emme performansı sağlayabilmek için emme adaptörü (24) düzenli aralıklarla temizlenmelidir.

**Harici toz emme**

Elektrikli el aletini direkt olarak uzaktan kumandalı bir Bosch çok amaçlı elektrikli süpürgeye prizine takılabilir. Bu elektrikli süpürge, elektrikli el aleti açılınca otomatik olarak çalışmaya başlar.

Elektrik süpürgesi işlenen malzemeye uygun olmalıdır.

Özellikle sağlığa zararlı, kanserojen veya kuru tozları vakumlarken özel elektrik süpürgesi (sanayi tipi elektrik süpürgesi) kullanın.

Almanya'da ahşap tozları için TRGS 553 nedeniyle test edilmiş emme donanımları istenmektedir, alete entegre toz emme donanımları profesyonel sektörde kullanılmamaktadır. Diğer malzemeler için profesyonel kullanıcılar karşılaşması gerekli hususları yetkili meslek kuruluşları ile açıklığa kavuşturmak zorundadır.

**İşletim**

- **Elektrikli el aletinin kendinde bir çalışma yapmadan önce her defasında fişi prizden çekin.**

**İşletim türleri****Kesme derinliğinin ayarlanması (Bakınız: Resim C)**

- **Kesme derinliğini iş parçasının kalınlığına uyarlayın.** İş parçasının altında tam bir diş yüksekliğinden daha azının görünmesi gerekir.

Sıkma kolunu (25) gevşetin. Daha küçük kesme derinliği için testereyi taban plakasından (14) çekin, daha büyük kesme derinliği için testereyi taban plakasına (14) doğru bastırın. Kesme derinliği skalasında istediğiniz ölçüyü ayarlayın. Sıkma kolunu (25) tekrar sıkın.

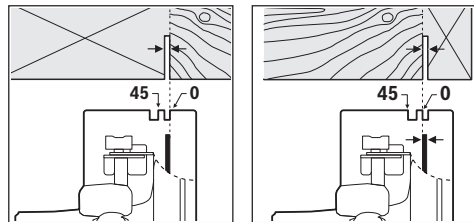
Sıkma kolunun (25) sıkma kuvveti sonradan ayarlanabilir. Sıkma kolunu (25) sökün ve en azından 30° saat hareket yönünün tersinde tekrar sıkın.

**Gönye açısının ayarlanması**

Elektrikli el aletini koruyucu kapağın (1) ön tarafına yerleştirin.

Kelebek vidaları (7) ve (15) gevşetin. Testereyi yana hareket ettirin. Skalada (6) istediğiniz ölçüyü ayarlayın. Kelebek vidaları (7) ve (15) tekrar sıkın.

**Not:** Gönyeli kesme işlerinde kesme derinliği kesme derinliği skalasındaki (26) göstergeden daha küçüktür.

**Kesme işaretleri**

Kesme işareti 0° (10) dik açılı kesmede testere bıçağının pozisyonunu gösterir. Kesme işareti 45° (9) 45° kesmedeki testere bıçağının pozisyonunu gösterir.

Tam ölçülü kesme yapmak için daire testereyi resimde görüldüğü gibi iş parçasına yerleştirin. Bir deneme kesmesi yapmanızda yarar vardır.

### Çalıştırma

- **Şebeke gerilimine dikkat edin! Akım kaynağının gerilimi elektrikli el aletinin tip etiketinde belirtilen gerilimle aynı olmalıdır. 230V ile işaretlenmiş elektrikli el aletleri 220V ile çalıştırılabilir.**

### Açma/kapama

- **Tutamağı bırakmadan açma/kapama şalterini kullanabildiğinizden emin olun.**

**3 601 EA2 0K./3 601 EA2 0L./3 601 EA2 0F.:**

Elektrikli el aletini **çalıştırmak** için açma/kapama şalterine **(3)** basın ve şalteri basılı tutun.

Basılı açma/kapama şalterini **sabitlemek (3)** için sabitleme tuşuna **(2)** basın.

Elektrikli el aletini **kapatmak** için açma/kapama şalterini **(3)** bırakın veya sabitleme tuşu **(2)** ile kilitlemişse, açma/kapama şalterine **(3)** kısa süre basın ve bırakın.

**3 601 EA2 0B./3 601 EA2 0A./3 601 EA2 04./3 601 EA2 00./3 601 EA2 07.:**

Elektrikli el aletini **çalıştırmak** için önce kapama emniyetine **(2)** sonra açma/kapama şalterine **(3)** basın ve şalteri basılı tutun.

Elektrikli el aletini **kapatmak** açma/kapama şalterini **(3)** bırakın.

**Not:** Güvenlik nedenleriyle açma/kapama şalteri **(3)** kilitlenemez, işleme esnasında sürekli basılı olmalıdır.

Enerjiden tasarruf etmek için elektrikli el aletini sadece kullandığınızda açın.

### Çalışırken dikkat edilecek hususlar

- **Elektrikli el aletinin kendinde bir çalışma yapmadan önce her defasında fişi prizden çekin.**

Kesme genişliği kullanılan testere bıçağına göre değişir.

Testere bıçağını darbe ve çarpmalara karşı koruyun.

Elektrikli el aletini kesme yönünde düzgün biçimde ve hafif bastırma kuvveti ile hareket ettirin. Çok fazla besleme kuvveti kullanılan uçların kullanım ömrünü önemli ölçüde kısaltır ve elektrikli el aletinde hasara neden olabilir.

Kesme performansı ve kesme kalitesi esas olarak testere bıçağının durumuna ve diş biçimine bağlıdır. Bu nedenle sadece keskin ve işlenen malzemeye uygun testere bıçakları kullanın.

### Ahşapta kesme

Testere bıçağının doğru seçimi, ahşap türüne, ahşap kalitesine ve uzunlama veya enine kesmeye göre yapılır.

Ladin ağacı kesilirken uzun, helezonik talaşlar oluşur.

Kayın ve meşe tozları özellikle sağlığa zararlıdır, bu nedenle sadece toz emme donanımı ile çalışın.

### Paralellik mesnedi ile kesme (Bakınız: Resim D)

Paralellik mesnedi **(11)** iş parçası kenarı boyunca hassas kesme işlerine veya ölçülü şeritlerin kesilmesine olanak sağlar.

Kelebek vidayı **(8)** gevşetin ve paralellik mesnedi **(11)** skalasını kılavuz içinde taban plakasına **(14)** itin. İlgili kesme işaretinde **(10)** veya **(9)** skala değeri olarak istediğiniz kesme genişliğini ayarlayın, bakınız: bölüm „Kesme işaretleri“. Kelebek vidayı **(8)** tekrar sıkın.

### Yardımcı dayamak ile kesme (Bakınız: Resim E)

Büyük boyutlu iş parçalarını işlerken veya düz kenarları keserken iş parçasına bir tahta veya çitayı yardımcı dayamak olarak sabitleyebilirsiniz ve daire testere taban plakasını yardımcı dayamak boyunca hareket ettirebilirsiniz.

## Bakım ve servis

### Bakım ve temizlik

- **Elektrikli el aletinin kendinde bir çalışma yapmadan önce her defasında fişi prizden çekin.**
- **İyi ve güvenli çalışabilmek için elektrikli el aletini ve havalandırma aralıklarını temiz tutun.**

Bağlantı kablosunun değiştirilmesi gerekli ise, güvenlik nedenlerinden dolayı bu tertibat **Bosch**'den veya **Bosch** elektrikli el aletleri yetkili servisinden temin edilmelidir.

Pandül hareketli koruyucu kapak her zaman serbestçe hareket edebilmeli ve kendiliğinden kapanmalıdır. Bu nedenle pandül hareketli koruyucu kapağın çevresini her zaman temiz tutun. Toz ve talaşları fırça ile temizleyin.

Kaplanmamış testere bıçakları asit içermeyen ince bir yağ tabakası ile korozyona karşı korunabilir. Kesme işlemine başlamadan önce yağı temizleyin, aksi takdirde ahşapta lekeler oluşabilir.

Testere bıçağı üzerindeki reçine veya tutkal kalıntılarını kesme kalitesini düşürür. Bu nedenle testere bıçaklarını kullandıktan hemen sonra temizleyin.

### Müşteri servisi ve uygulama danışmanlığı

Müşteri servisleri ürününüzün onarım ve bakımı ile yedek parçalarına ait sorularınızı yanıtladınır. Tehlike işaretlerini ve yedek parçalara ait bilgileri şu sayfada da bulabilirsiniz: [www.bosch-pt.com](http://www.bosch-pt.com)

Bosch uygulama danışma ekibi ürünlerimiz ve aksesuarları hakkındaki sorularınızda sizlere memnuniyetle yardımcı olur.

Bütün başvuru ve yedek parça siparişlerinizde ürünün tip etiketi üzerindeki 10 haneli malzeme numarasını mutlaka belirtin.

**Sadece Türkiye için geçerlidir: Bosch genel olarak yedek parçaları 7 yıl hazır tutar.**

**Diğer servis adreslerini şurada bulabilirsiniz:**

[www.bosch-pt.com/serviceaddresses](http://www.bosch-pt.com/serviceaddresses)

## Tasfiye

Elektrikli el aleti, aksesuar ve ambalaj malzemesi çevre dostu bir yöntemle tasfiye edilmek üzere tekrar kazanım merkezine gönderilmelidir.



Elektrikli el aletlerini evsel çöplerin içine atmayın!

## 中文

### 安全规章

#### 电动工具通用安全警告

##### 警告！

阅读随电动工具提供的所有安全警告、说明、图示和规定。

不遵照以下所列说明会导致电击、着火和/或严重伤害。

保存所有警告和说明书以备查阅。

警告中的术语“电动工具”是指市电驱动（有线）电动工具或电池驱动（无线）电动工具。

#### 工作场地的安全

- ▶ 保持工作场地清洁和明亮。杂乱和黑暗的场地会引发事故。
- ▶ 不要在易爆环境，如有易燃液体、气体或粉尘的环境下操作电动工具。电动工具产生的火花会点燃粉尘或气体。
- ▶ 操作电动工具时，远离儿童和旁观者。注意力不集中会使你失去对工具的控制。

#### 电气安全

- ▶ 电动工具插头必须与插座相配。绝不能以任何方式改装插头。需接地的电动工具不能使用任何转换插头。未经改装的插头和相配的插座将降低电击风险。
- ▶ 避免人体接触接地表面，如管道、散热片和冰箱。如果你身体接触接地表面会增加电击风险。
- ▶ 不得将电动工具暴露在雨中或潮湿环境中。水进入电动工具将增加电击风险。
- ▶ 不得滥用软线。绝不能用软线搬运、拉动电动工具或拔出其插头。使软线远离热源、油、锐边或运动部件。受损或缠绕的软线会增加电击风险。
- ▶ 当在户外使用电动工具时，使用适合户外使用的延长线。适合户外使用的电线将降低电击风险。
- ▶ 如果无法避免在潮湿的环境中操作电动工具，应使用带有剩余电流装置（RCD）保护的电源。RCD的使用可降低电击风险。

#### 人身安全

- ▶ 保持警觉，当操作电动工具时关注所从事的操作并保持清醒。当你感到疲倦，或在有药物、酒精或治疗反应时，不要操作电动工具。在操作电动工具时瞬间的疏忽会导致严重人身伤害。

- ▶ 使用个人防护装置。始终佩戴护目镜。防护装置，诸如适当条件下使用防尘面具、防滑安全鞋、安全帽、听力防护等装置能减少人身伤害。
- ▶ 防止意外启动。在连接电源和/或电池包、拿起或搬运工具前确保开关处于关断位置。手指放在开关上搬运工具或开关处于接通时通电会导致危险。
- ▶ 在电动工具接通之前，拿掉所有调节钥匙或扳手。遗留在电动工具旋转零件上的扳手或钥匙会导致人身伤害。
- ▶ 手不要过分伸展。时刻注意立足点和身体平衡。这样能在意外情况下能更好地控制住电动工具。
- ▶ 着装适当。不要穿宽松衣服或佩戴饰品。让你的头发和衣服远离运动部件。宽松衣服、佩戴或长发可能会卷入运动部件。
- ▶ 如果提供了与排屑、集尘设备连接用的装置，要确保其连接完好且使用得当。使用集尘装置可降低尘屑引起的危险。
- ▶ 不要因为频繁使用工具而产生的熟悉感而掉以轻心，忽视工具的安全准则。某个粗心的动作可能在瞬间导致严重的伤害。

#### 电动工具使用和注意事项

- ▶ 不要勉强使用电动工具，根据用途使用合适的电动工具。选用合适的按照额定值设计的电动工具会使你工作更有效、更安全。
- ▶ 如果开关不能接通或关断电源，则不能使用该电动工具。不能通过开关来控制的电动工具是危险的且必须进行修理。
- ▶ 在进行任何调节、更换附件或贮存电动工具之前，必须从电源上拔掉插头和/或卸下电池包（如可拆卸）。这种防护性的安全措施降低了电动工具意外启动的风险。
- ▶ 将闲置不用的电动工具贮存在儿童所及范围之外，并且不允许不熟悉电动工具和不了解这些说明的人操作电动工具。电动工具在未经培训的使用者手中是危险的。
- ▶ 维护电动工具及其附件。检查运动部件是否调整到位或卡住，检查零件破损情况和影响电动工具运行的其他状况。如有损坏，应在使用前修理好电动工具。许多事故是由维护不良的电动工具引发的。
- ▶ 保持切削刀具锋利和清洁。维护良好地有锋利切削刃的刀具不易卡住而且容易控制。
- ▶ 按照使用说明书，并考虑作业条件和要进行的作业来选择电动工具、附件和工具的刀头等。将电动工具用于那些与其用途不符的操作可能会导致危险情况。
- ▶ 保持手柄和握持表面干燥、清洁，不得沾有油脂。在意外的情况下，湿滑的手柄不能保证握持的安全和对工具的控制。

#### 维修

- ▶ 由专业维修人员使用相同的备件维修电动工具。这将保证所维修的电动工具的安全。

## 所有圆锯的安全说明

### 锯割步骤

- ▶ **⚠ 危险:** 让手始终远离锯割区域和锯片。另一只手始终握住辅助手柄或电动机机壳。如果双手都握住圆锯,就不会切到手。
- ▶ **不得接触工件的下面。** 护罩不能防止工件下方锯片的危险
- ▶ **将锯割深度调至工件的厚度。** 能看到在工件下方露出的锯齿应不到一个齿高。
- ▶ **不得手持工件或将工件架在腿上进行锯割,应将工件固定在一个稳定的平台上。** 适当支撑工件对减少人身伤害、锯片卡住或操作失控是至关重要的。
- ▶ **当在锯割附件可能触及暗线或其自身导线的场合进行操作时,要通过绝缘握持面握持工具。** 锯割附件碰到带电导线会使工具外露的金属零件带电而使操作者受到电击。
- ▶ **当锯割时,始终使用劈锯靠栅和直边导向器。** 这样可以改善锯割精度并减小锯片卡住的几率。
- ▶ **始终使用具有正确轴孔尺寸和形状(方形或圆形)的锯片。** 如果锯片与圆锯夹装部件不符将引起偏心运转而导致失控。
- ▶ **不得使用损坏的或尺寸不符的垫圈或螺栓。** 为达到最佳操作性能并确保安全操作,锯片垫圈及螺栓是为所使用的圆锯专门设计的。

### 回弹的原因和相关警告

- 回弹是当锯片受挤压、被卡住或偏离中心时受到的突然反作用,使圆锯不受控制地抬起并脱离工件冲向操作者。

- 当锯片受挤压或被收拢的切口紧紧卡住时,锯片堵转且电动机反作用力驱使整机向操作者快速弹回。

- 如果锯片发生扭曲或偏离锯割面,锯片后边缘上的锯齿会挖入木材上表面从而使锯片爬出切口并向操作者回弹。

回弹是误用圆锯和/或不正确操作步骤或条件导致的结果,采取以下适当预防措施能避免回弹:

- ▶ **双手紧握圆锯的把手,双臂放置得能抵住回弹力。** 身体处于圆锯的任意一侧,不要对准锯片。回弹会导致圆锯向后弹起,但如果采取适当的防备措施,操作者可以控制住回弹力。
- ▶ **当锯片卡住,或因任何原因导致锯割中断时,释放开关扳机并保持圆锯在材料中不移动,直到锯片完全停止。** 不得在锯片处于运转或可能发生回弹的情况下尝试将圆锯从工件中移出或向后拉动圆锯。调查并采取纠正措施以消除锯片卡住的原因。
- ▶ **当在工件中重新启动圆锯时,将锯片对准切口而不使锯齿插入材料中。** 如果锯片卡住了,工具重新启动时,锯片会爬出工件或从工件上回弹。
- ▶ **支撑大型板料以减少锯片受挤压和回弹的风险。** 大型板料会因自重而下垂,支撑物必须放置在板料下面的两侧,靠近锯割线和板料边缘。
- ▶ **不得使用锋利的或安装不当的锯片。** 没有开锋的或安装不当的锯片会形成窄小的切口,从而导致过度摩擦、锯片卡住和回弹。

▶ **锯割之前,必须旋紧和紧固锯割深度和倾斜角调节锁定钮。** 如果锯割时锯片调节器发生移动,可能会引起锯片卡住和回弹。

▶ **当对现存墙体或其他盲区进行锯割时要格外小心。** 伸出的锯片可能锯割到会引起回弹的物体。

### 下护罩功能

- ▶ **每次使用前,检查下护罩闭合是否自如。** 如果下护罩不能自如活动并迅速闭合,则不得操作圆锯。不得将下护罩夹住或系绑在开启位置。如果圆锯意外跌落,下护罩可能会弯曲变形,用回缩手柄抬起下护罩,确信在任何锯割角度和深度下护罩活动自如,且不会触及锯片或任何其他零件。
- ▶ **检查下护罩弹簧的工作情况,如果护罩及弹簧不能正常工作,必须在使用前对其进行维修。** 下护罩可能因零件损坏、胶质沉积或废屑堆积而运动迟缓。
- ▶ **仅当特殊锯割,例如“插入式锯割”和“组合式锯割”,才可用手动方式抬起下护罩。** 用回缩手柄抬起下护罩,一旦锯片进入到锯割材料就必须立即释放放下护罩。对所有其他锯割作业,下护罩应自动工作。
- ▶ **在把圆锯放置在工作台或地上之前,应始终查看下护罩是否遮住锯片。** 没有防护的、惯性运转的锯片会引起圆锯后退,锯割到其行程上的任何物体。要考虑到开关释放后锯片停下来的时间。

### 其他安全规章

- ▶ **不要用手抓握排屑槽。** 可能会被旋转部件伤到。
- ▶ **不要在头顶操作电锯。** 此时您无法完全控制电动工具。
- ▶ **使用合适的侦测装置侦察隐藏的电线,或者向当地的相关单位寻求支援。** 接触电线可能引起火灾并让操作者触电。损坏了瓦斯管会引起爆炸。凿穿水管不仅会造成严重的财物损失,也可能导致触电。
- ▶ **工作时使用双手握紧电动工具并确保站稳。** 使用双手才能够稳定地操作电动工具。
- ▶ **本电动工具不适合固定式操作。** 不可以把本机器固定在锯台上使用。
- ▶ **在非直角切入时确保电锯的导轨不会侧移。** 侧移可能会导致锯片夹住并因此回弹。
- ▶ **固定好工件。** 使用固定装置或老虎钳固定工件,会比用手持握工件更牢固。
- ▶ **等待电动工具完全静止后才能够放下机器。** 机器上的工具可能在工作中被夹住,而令您无法控制电动工具。
- ▶ **不要使用高速钢锯片。** 此类锯片容易折断。
- ▶ **不要锯切铁族金属。** 带火星的切屑可能会点燃粉尘吸尘器。
- ▶ **请佩戴防尘面具。**

## 产品和性能说明



请阅读所有安全规章和指示。不遵照以下警告和说明可能导致电击、着火和/或严重伤害。

请注意本使用说明书开头部分的图示。

### 按照规定使用

本电动工具适合在稳固的底座上对木材进行纵向和横向直线锯割以及斜角锯割。

不可以使用本机器加工铁族金属。

### 插图上的机件

机件的编号和电动工具详解图上的编号一致。

- |                                                                                                                                                                                                                                                                                                                                                               |                                                                                                                                                                                                                                                                                                                                                                                                                                                                                                                                 |
|---------------------------------------------------------------------------------------------------------------------------------------------------------------------------------------------------------------------------------------------------------------------------------------------------------------------------------------------------------------|---------------------------------------------------------------------------------------------------------------------------------------------------------------------------------------------------------------------------------------------------------------------------------------------------------------------------------------------------------------------------------------------------------------------------------------------------------------------------------------------------------------------------------|
| <ul style="list-style-type: none"> <li>(1) 防护罩</li> <li>(2) 电源开关的锁定按钮<br/>(3 601 EA2 0K./3 601 EA2 0L./3 601 EA2 0F.)</li> <li>(2) 电源开关开机锁<br/>(3 601 EA2 08./3 601 EA2 0B./3 601 EA2 04./3 601 EA2 00./3 601 EA2 07.)</li> <li>(3) 电源开关</li> <li>(4) 辅助手柄</li> <li>(5) 主轴锁定键</li> <li>(6) 斜切角度的刻度</li> <li>(7) 斜切角预选的翼形螺栓</li> <li>(8) 平行限制器的翼形螺栓</li> </ul> | <ul style="list-style-type: none"> <li>(9) 切割标记45°</li> <li>(10) 切割标记0°</li> <li>(11) 平行限制器</li> <li>(12) 摆动防护罩</li> <li>(13) 活动防护罩的调整杆</li> <li>(14) 底板</li> <li>(15) 斜切角预选的翼形螺栓</li> <li>(16) 锯屑排口</li> <li>(17) 内六角扳手</li> <li>(18) 带垫片的夹紧螺栓</li> <li>(19) 夹紧法兰</li> <li>(20) 圆锯锯片<sup>a)</sup></li> <li>(21) 固定法兰</li> <li>(22) 电锯主轴</li> <li>(23) 抽吸适配器固定螺栓<sup>a)</sup></li> <li>(24) 抽吸适配器<sup>a)</sup></li> <li>(25) 切割深度预选夹紧杆</li> <li>(26) 切割深度刻度</li> <li>(27) 螺旋夹钳对<sup>a)</sup></li> <li>(28) 手柄 (绝缘握柄)</li> </ul> |
|---------------------------------------------------------------------------------------------------------------------------------------------------------------------------------------------------------------------------------------------------------------------------------------------------------------------------------------------------------------|---------------------------------------------------------------------------------------------------------------------------------------------------------------------------------------------------------------------------------------------------------------------------------------------------------------------------------------------------------------------------------------------------------------------------------------------------------------------------------------------------------------------------------|

a) 图表或说明上提到的附件，并不包含在基本的供货范围中。本公司的附件清单中有完整的附件供应项目。

### 技术参数

手动圆锯		GKS 235 Turbo	GKS 235 Turbo	GKS 9
物品代码		3 601 EA2 0..	3 601 EA2 0B.	3 601 EA2 00. 3 601 EA2 07.
额定输入功率	瓦	2050	2050	2050
空载转速	转/分钟	5300	5300	5300
最大负载转速	转/分钟	3500	3500	3500
最大切割深度				
- 斜切角度0度时	毫米	85	85	85
- 斜切角度45度时	毫米	65	65	65
主轴锁		●	●	●
底板尺寸	毫米	383 x 170	383 x 170	383 x 170
最大锯片直径	毫米	235	235	235
最小锯片直径	毫米	230	230	230
最大锯片体厚度	毫米	2.2	2.2	2.2
最大锯齿厚度/锯齿斜度	毫米	3.2	3.2	3.2
最小锯齿厚度/锯齿斜度	毫米	2.0	2.0	2.0
接头孔径	毫米	25	25.4	30
重量符合 EPTA-Procedure 01:2014	公斤	7.6	7.6	7.6
保护等级		□/II	□/II	□/II

所有参数适用于230伏的额定电压[U]，对于其他不同的电压和国际规格，数据有可能不同。

该设备符合IEC 61000-3-11的要求，并可在特定条件下建立连接。在不利的供电状态下，设备可能会导致偶然的电压波动。该设备的阻抗设置为 $Z_{\text{actual}} = 0.14 \Omega$ 。用户必须确保设备插入的、阻抗为 $Z_{\text{max}}$ 的连接点符合阻抗要求： $Z_{\text{actual}} \geq Z_{\text{max}}$ 。如果 $Z_{\text{max}}$ 未知，请与网络供应商或供应机构协商确定 $Z_{\text{max}}$ 。



## 安装

- ▶ 所使用的锯片的最高许可转速必须高于电动工具的无负载转速。

### 安装/更换圆锯片

- ▶ 在电动工具上进行所有操作之前都必须从插座上拔出电源插头。
- ▶ 安装锯片时务必穿戴防护手套。手如果接触锯片可能被割伤。
- ▶ 千万不可以使用研磨片充当刀具。
- ▶ 只允许使用符合本使用说明书中和电动工具上给出的特性数据的锯片。

### 选择锯片

本说明书的末端，有锯刀的一览表。

### 拆卸锯片（见图片 A）

更换刀具时最好以马达箱朝下的方式竖起电动工具。

- 按压主轴锁定键 (5) 并按住。
- ▶ 待主轴完全静止后，才可以使用主轴锁定键(5)。否则可能会损坏电动工具。
- 用内六角扳手 (17) 将夹紧螺栓 (18) 朝旋转方向①旋出。
- 翻回活动防护罩 (12) 并固定住。
- 将夹紧法兰 (19) 和锯片 (20) 从主轴 (22) 上取下。

### 安装锯片（见图片 A）

更换刀具时最好以马达箱朝下的方式竖起电动工具。

- 清洁锯片(20)和所有待安装的夹紧件。
- 翻回活动防护罩(12)并固定住。
- 将锯片(20)放到固定法兰(21)上。锯齿的切割方向(锯片上的箭头方向)与防护罩(1)上的旋转方向箭头必须一致。
- 放上夹紧法兰(19)并将夹紧螺栓(18)朝旋转方向②拧紧。请注意固定法兰(21)和夹紧法兰(19)的安装位置是否正确。
- 按压主轴锁定键(5)并按住。
- 用内六角扳手(17)将夹紧螺栓(18)朝旋转方向②拧紧。拧紧力矩约为10-12 Nm，相当于手动拧紧四分之一周。

### 吸锯尘/吸锯屑

含铅的颜料以及某些木材、矿物和金属的加工废尘有害健康。机器操作者或者工地附近的人如果接触、吸入这些废尘，可能会有过敏反应或者感染呼吸道疾病。

某些尘埃（例如加工橡木或山毛榉的废尘）可能致癌，特别是和处理木材的添加剂（例如木材的防腐剂等）结合之后。只有经过专业训练的人才能够加工含石棉的物料。

- 尽可能使用适合物料的吸尘装置。
- 工作场所要保持空气流通。
- 最好佩戴P2滤网等级的口罩。

请留心并遵守贵国和加工物料有关的法规。

- ▶ 避免让工作场所堆积过多的尘垢。尘埃容易被点燃。

### 安装吸尘适配器（见图片 B）

将吸尘适配器 (24) 插到锯屑排口 (16) 上，直至卡止。此外，用螺栓 (23) 固定住吸尘适配器 (24)。可在吸尘适配器 (24) 上连接一根直径为35 mm的抽吸软管。

- ▶ 不得在未连接外部集尘装置的情况下安装吸尘适配器。否则可能造成机器的排尘管道阻塞。
- ▶ 吸尘适配器上不得连接集尘袋。这样会造成机器的排尘系统阻塞。

为确保最佳的集尘效果，必须定期清洁吸尘适配器 (24)。

### 外部集尘装置

电动工具可直接连接到带远程启动功能的博世通用吸尘器的电源插座上。开动电动工具时吸尘器会跟着启动。

根据工件的物料选择合适的吸尘装置。

吸集可能危害健康、可能导致癌症或干燥的废尘时，务必使用特殊的吸尘装置。

在德国要求使用基于TRGS 553检测的木屑集尘装置，自主除尘设备不得用于商业领域。对于其他材料，商业用户必须向负责的专业协会声明特殊要求。

## 运行

- ▶ 在电动工具上进行所有操作之前都必须从插座上拔出电源插头。

### 运行模式

#### 调整切削深度（参考插图 C）

- ▶ 请根据工件厚度调整切削深度。不可以让锯齿完全突出于工件之外。

请松开夹紧杆 (25)。如需减小切削深度，请将锯片拉离底板 (14)，如要增大切削深度，请朝底板 (14) 按压锯片。参考锯深刻度尺调整好锯深。请再次拧紧夹紧杆 (25)。

夹紧杆(25)的夹紧力可以重新调节。为此拧下夹紧杆(25)，然后将其逆时针方向至少错开30°重新拧紧。

#### 调整斜切角度

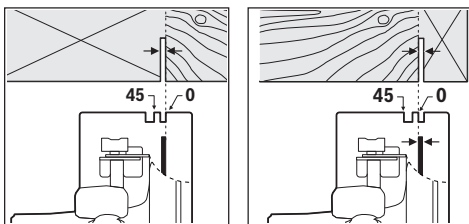
最好将电动工具放在防护罩(1)的正面。

请松开翼形螺栓(7)和(15)。将电锯移到侧面。参考刻度尺(6)调整好锯深。请再次拧紧翼形螺栓(7)和(15)。

**提示：**斜切时，切削深度小于锯深刻度尺 (26) 上显示的数值。



### 切割标记



切割标记0°(10)表示直角切割时锯片的位置。切割标记45°(9)表示45°切割时锯片的位置。

为了确保锯割的准确性，请根据插图的指示操作圆锯片。最好先进行试锯。

### 投入使用

- ▶ **注意电源电压！** 电源的电压必须和电动工具铭牌上标示的电压一致。标记为230伏电动工具用220伏的电压可以驱动。

#### 接通/关闭

▶ 请确保握住手柄时可以开启/关闭开关。

**3 601 EA2 0K./3 601 EA2 0L./3 601 EA2 0F.:**

使用电动工具时按压起停开关 (3) 并按住。

如需锁定被按住的起停开关 (3)，请按压锁定键 (2)。

如需关闭电动工具，请松开起停开关 (3)，如果其已被锁定键 (2) 锁住，请短促按压起停开关 (3)，然后再松开。

**3 601 EA2 08./3 601 EA2 0B./3 601 EA2 04./3 601 EA2 00./3 601 EA2 07.:**

使用电动工具时先操纵开锁键 (2)，接着按压起停开关 (3) 并按住。

关闭电动工具时，请松开起停开关 (3)。

**提示：**基于安全的顾虑，起停开关 (3) 无法被锁定。所以操作机器时必须持续地按住开关。

### 工作提示

- ▶ **在电动工具上进行所有操作之前都必须从插座上拔出电源插头。**

切割宽度根据所用锯片而有所不同。

保护锯片免受碰撞和敲击。

所以操作电动工具时必须施力均匀，并朝着切割方向轻轻推动。推动电动工具时如果用力过猛，不但会明显降低电动工具的使用寿命，而且可能损坏电动工具。

锯切功率和切割质量主要由锯片的状况和锯片齿形决定。因此只能使用锋利和适合工件材料的锯片。

#### 锯割木材

根据木材的种类、木材的品质以及锯割的方向（顺著木纹锯割或与木纹交叉锯割）选择合适的锯片。顺著木纹锯割红杉时会产生长的螺旋形木屑。

山毛榉和橡木粉尘对健康特别危险，所以只能通过尘粒抽吸设备清理灰尘。

### 用平行限制器锯切（见图片 D）

平行限制器 (11) 可以沿着工件边缘精确切割或切割相同尺寸的板条。

松开蝶翼螺丝 (8)，将平行限制器 (11) 的刻度推过底座 (14) 中的导向件。将所需的切割宽度设置为相应切割标记 (10) 或 (9) 上的刻度值，参见“切割标记”段落。再次拧紧蝶翼螺丝 (8)。

### 用平行限制器锯切（见图片 E）

分割大的工件或锯割直边时，可以用弓形夹钳把木板或木条固定在工件上充当辅助挡块，接着再沿着辅助挡块移动底座。

## 维修和服务

### 维护和清洁

- ▶ **在电动工具上进行所有操作之前都必须从插座上拔出电源插头。**

- ▶ **电动工具和通气孔必须随时保持清洁，以确保工作效率和工作安全。**

如果必须更换连接线，务必把这项工作交给 **Bosch** 或者经授权的 **Bosch** 电动工具顾客服务执行，以避免危害机器的安全性能。

活动防护罩必须能够无阻地摆动，并且要能够自动关闭。所以防护罩的四周必须随时保持清洁。请用刷子去除粉尘和碎屑。

如果锯片未上保护漆，可以在锯片上涂抹一层薄薄的无酸润滑油以预防锯片生锈。使用机器之前必须清除油层，否则会在木材上留下污斑。

锯片如果沾了残余的树脂和胶水会影响锯割效果。因此使用机器后必须马上清洁锯片。

### 客户服务和应用咨询

本公司顾客服务处负责回答有关本公司产品的修理、维护和备件的问题。备件的展开图纸和信息也可查看：[www.bosch-pt.com](http://www.bosch-pt.com)

博世应用咨询团队乐于就我们的产品及其附件问题提供帮助。

询问和订购备件时，务必提供机器铭牌上标示的10位数物品代码。

#### 中国大陆

博世电动工具（中国）有限公司

中国 浙江省 杭州市

滨江区 滨康路567号

102/1F 服务中心

邮政编码：310052

电话：(0571)8887 5566 / 5588

传真：(0571)8887 6688 x 5566# / 5588#

电邮：[bsc.hz@cn.bosch.com](mailto:bsc.hz@cn.bosch.com)

[www.bosch-pt.com.cn](http://www.bosch-pt.com.cn)

#### 制造商地址：

Robert Bosch Power Tools GmbH

罗伯特·博世电动工具有限公司

70538 Stuttgart / GERMANY

70538 斯图加特 / 德国

其他服务地址请见：

[www.bosch-pt.com/serviceaddresses](http://www.bosch-pt.com/serviceaddresses)

## 处理废弃物

必须以符合环保要求的方式回收再利用电动工具、附件和包装材料。



不可以把电动工具丢入家庭垃圾中！

## 繁體中文

### 安全注意事項

#### 電動工具一般安全注意事項

**警告** 請詳讀工作臺及電動工具的所有安全警告與使用說明。若不遵照以下列出的指示，將可能導致電擊、著火和/或人員重傷。

保存所有警告和說明書以備查閱。

在所有警告中，「電動工具」此一名詞泛指：以市電驅動的（有線）電動工具或是以電池驅動的（無線）電動工具。

#### 工作場地的安全

- ▶ 保持工作場地清潔和明亮。混亂和黑暗的場地會引發事故。
- ▶ 不要在易爆環境，如有易燃液體、氣體或粉塵的環境下操作電動工具。電動工具產生的火花會點燃粉塵或氣體。
- ▶ 讓兒童和旁觀者離開後操作電動工具。注意力不集中會使您失去對工具的控制。

#### 電氣安全

- ▶ 電動工具插頭必須與插座相配。絕不能以任何方式改裝插頭。需接地的電動工具不能使用任何轉換插頭。未經改裝的插頭和相配的插座將減少電擊危險。
- ▶ 避免人體接觸接地表面，如管道、散熱片和冰箱。如果您身體接地會增加電擊危險。
- ▶ 不得將電動工具暴露在雨中或潮濕環境中。水進入電動工具將增加電擊危險。
- ▶ 不得濫用電線。絕不能用電線搬運、拉動電動工具或拔出其插頭。使電線遠離熱源、油、銳利邊緣或移動零件。受損或纏繞的軟線會增加電擊危險。
- ▶ 當在戶外使用電動工具時，使用適合戶外使用的延長線。適合戶外使用的軟線，將減少電擊危險。
- ▶ 如果在潮濕環境下操作電動工具是不可避免的，應使用剩餘電流動作保護器（RCD）。使用RCD可降低電擊危險。

#### 人身安全

- ▶ 保持警覺，當操作電動工具時關注所從事的操作並保持清醒。當您感到疲倦，或在有藥物、酒精或治療反應時，不要操作電動工具。在操作電動工具時瞬間的疏忽會導致嚴重人身傷害。
- ▶ 使用個人防護裝置。始終佩戴護目鏡。安全裝置，諸如適當條件下使用防塵面具、防滑安全鞋、安全帽、聽力防護等裝置能減少人身傷害。
- ▶ 防止意外起動。確保開關在連接電源和/或電池盒、拿起或搬運工具時處於關閉位置。手指放在已接通電源的開關上或開關處於接通時插入插頭可能會導致危險。
- ▶ 在電動工具接通之前，拿掉所有調節鑰匙或扳手。遺留在電動工具旋轉零件上的扳手或鑰匙會導致人身傷害。
- ▶ 手不要伸展得太長。時刻注意立足點和身體平衡。這樣在意外情況下能很好地控制電動工具。
- ▶ 著裝適當。不要穿寬鬆衣服或佩戴飾品。讓您的衣物及頭髮遠離運動部件。寬鬆衣服、佩飾或長髮可能會捲入運動部件中。
- ▶ 如果提供了與排屑、集塵設備連接用的裝置，要確保他們連接完好且使用得當。使用這些裝置可減少塵屑引起的危險。
- ▶ 切勿因經常使用工具所累積的熟練感而過度自信，輕忽工具的安全守則。任何一個魯莽的舉動都可能瞬間造成人員重傷。

#### 電動工具使用和注意事項

- ▶ 不要濫用電動工具，根據用途使用適當的電動工具。選用適當設計的電動工具會使您工作更有效、更安全。
- ▶ 如果開關不能開啟或關閉工具電源，則不能使用該電動工具。不能用開關來控制的電動工具是危險的且必須進行修理。
- ▶ 在進行任何調整、更換配件或貯存電動工具之前，必須從電源上拔掉插頭並/或取出電池盒。這種防護性措施將減少工具意外起動的危險。
- ▶ 將閒置不用的電動工具貯存在兒童所及範圍之外，並且不要讓不熟悉電動工具或對這些說明不瞭解的人操作電動工具。電動工具在未經培訓的用戶手中是危險的。
- ▶ 保養電動工具與配備。檢查運動件是否調整到位或卡住，檢查零件破損情況和影響電動工具運行的其他狀況。如有損壞，電動工具應在使用前修理好。許多事故由維護不良的電動工具引發。
- ▶ 保持切削刀具鋒利和清潔。保養良好的有鋒利切削刃的刀具不易卡住而且容易控制。
- ▶ 按照使用說明書，考慮作業條件和進行的作業來使用電動工具、配件和工具的刀頭等。將電動工具用於那些與其用途不符的操作可能會導致危險。
- ▶ 把手及握持區應保持乾燥、潔淨，且不得沾染任何油液或油脂。易滑脫的把手及握持區將無法讓您在發生意外狀況時安全地抓緊並控制工具。

### 檢修

- ▶ 將您的電動工具送交專業維修人員，必須使用同樣的備件進行更換。這樣將確保所維修的電動工具的安全性。

### 圓鋸機安全注意事項

#### 切割程序

- ▶ **⚠ 危險：雙手需遠離切割區域和刀片。請將另一隻手放在輔助把手或馬達外殼上。雙手皆握住電鋸可有效減少手部被刀片割傷的風險。**
- ▶ 請勿將手放在工件的下方。若放在工件的下方，防護蓋將無法保護您不受刀片的威脅。
- ▶ 將切割深度調整為工件的厚度。工件下方應不會出現刀片鋸齒的完整鋸齒。
- ▶ 切割時，切勿用手握住待切割的工件或讓工件跨過腿部。將工件固定到穩定的平台。請務必適當地支撐切割工作，盡可能減少身體曝露、刀片卡死或失控。
- ▶ 進行作業時，負責進行切割的工具可能會碰觸到隱藏的配線或電動工具的電線，請從絕緣握把處拿持電動工具。若是觸及「帶電」的電線，可能導致電動工具外露的金屬部件「帶電」，進而使操作人員遭受電擊。
- ▶ 進行劈鋸時，請使用劈鋸護欄或垂直邊緣護欄。這樣可能提升切割精確度並降低刀片卡死的機率。
- ▶ 請務必使用具備正確尺寸和心軸形狀（鑽石或圓形）的刀片。不符合鋸片安裝硬體的刀片在運轉時將會偏離中心，進而導致失控。
- ▶ 請勿使用損壞或不正確的刀片墊片或螺栓。刀片墊片是針對您的電鋸專門設計，能確保其運作效能與操作安全性。

#### 反彈原因與相關警告

- 反彈是在鋸片卡住、夾住或錯位時瞬間產生的反作用力，可能造成電鋸無法控制，讓工件朝向操作人員彈出；

- 刀片被閉合的切口緊緊卡住或夾住時，刀片即無法順利向前移動，而馬達的反作用力則會使裝置朝向操作人員快速向後彈出；

- 如果在切割中刀片扭曲或錯位，則刀片背面邊緣上的鋸齒可能會鑽進木材表面，而使刀片脫出切口或朝向操作人員反彈。

反彈是不當使用電鋸及/或操作程序（條件）不正確所造成的結果。採取以下適當預防措施，則可避免此一情況。

- ▶ 用雙手穩定地握住電鋸上的握把，並放穩雙臂以抵抗反彈的力量。讓您的身體位在刀片的兩側位置，但不與刀片對齊。反彈可能導致電鋸向後彈，但如果採取了適當的預防措施，則可由操作人員來控制反彈的力量。
- ▶ 當刀片因任何原因卡死不動或中斷切割時，請鬆開開關，並讓刀片停留在材質中不要移動，直至完全停止轉動。切勿試圖移開運作中的電鋸，或在刀片移動時將電鋸向後拉，否則可能會出現反彈狀況。瞭解情況並採取更正措施，以消除刀片卡死的原因。

- ▶ 當在工件中重新啟動鋸片時，請將鋸片居中對齊切口，使鋸齒不會與材質啮合。如果鋸片卡死不動，重新啟動可能會使鋸片向前進或從工件反彈。
- ▶ 支撐控制板以降低刀片卡住及發生反彈的風險。大型控制板可能因其本身的重量而下垂。必須在控制板下方兩側、靠近切割線及靠近控制板邊緣加以支撐。
- ▶ 請勿使用已磨鈍或受損的刀片。未磨銳或未正確安裝的刀片會產生窄小的切口，造成阻力過大、刀片卡住和反彈。
- ▶ 在進行切割之前，刀片深度和斜角調整鎖定桿必須鎖緊並固定。切割時，如果刀片調整鎖定桿移動，可能會導致卡死和反彈。
- ▶ 鋸切現有的牆面或其他盲區時需特別小心。穿透的切片可能會切到會造成反彈的物體。

#### 下方防護蓋功能

- ▶ 每次使用之前應檢查下方防護蓋是否正確關閉。若下方防護蓋無法自由移動，請勿操作電鋸並立即關閉。切勿將下方防護蓋夾住或固定在開啟位置。如果電鋸意外掉落，下方防護蓋可能會彎曲。利用回縮把手提起下方防護蓋，並確保防護蓋在所有角度和切割深度下皆可自由移動，且不會接觸到刀片或任何其他零件。
- ▶ 檢查下方防護蓋回位彈簧的操作。如果防護蓋和彈簧未正常運作，則必須在使用前進行維修。下方防護蓋可能會因損壞的零件、黏膠沉積物或碎片的累積而導致運作緩慢。
- ▶ 下方防護蓋只能在進行特殊切割（如「穿刺切割」和「複合切割」）時手動回縮。利用回縮把手升起下方防護蓋，並在刀片進入材質時必須盡快鬆開下方防護蓋。針對所有其他鋸切作業，下方防護蓋將會自動運作。
- ▶ 將電鋸放置在鋸台或地板上之前，請務必以下方防護罩覆蓋刀片。未受保護的慣性移動刀片將會導致電鋸向後移動，並切割移動路徑上的物體。注意在鬆開開關後鋸片停止所需要的時間。

#### 其他安全注意事項

- ▶ 切勿徒手抓握出屑口。此處有旋轉部件，可能造成您受傷。
- ▶ 作業時，請勿讓電鋸的位置高於頭部。否則將無法充份控制電動工具的運作。
- ▶ 使用合適的偵測裝置偵察隱藏的電線，或者向當地的相關單位尋求支援。接觸電線可能引起火災並讓操作者觸電。若損壞瓦斯管會引起爆炸。鑿穿水管不僅會造成嚴重的財物損失，也可能導致觸電。
- ▶ 作業期間請用雙手牢牢握緊電動工具並保持穩固。使用雙手才能夠更穩定地操作電動工具。
- ▶ 此電動工具請勿採取定位加工。它的設計並不是用來搭配鋸台使用。
- ▶ 進行非直角的「盲切」時，請固定此電鋸機的導板，以防發生側向偏移。側向偏移可能造成鋸片卡死，而使工具反彈。
- ▶ 固定好工件。使用固定裝置或老虎鉗固定工件，會比用手持握工件更牢固。

- ▶ 必須等待電動工具完全靜止後才能將它放下。嵌件工具可能卡住而使電動工具失控。
- ▶ 請勿使用高合金快速鋼 (HSS) 材質的鋸片。此類鋸片容易折斷。
- ▶ 請勿鋸切鐵金屬。發燙的加工碎屑可能點燃吸塵裝置。
- ▶ 請佩戴防塵面罩。

## 產品和功率描述



請詳讀所有安全注意事項和指示。如未遵守安全注意事項與指示，可能導致火災、人員遭受電擊及/或重傷。

請留意操作說明書中最前面的圖示。

### 依規定使用機器

本電動工具適合在穩固的底座上，對木材進行縱向和橫向的直線鋸切。

不可以使用本機器加工鐵族金屬。

### 插圖上的機件

機件的編號和電動工具詳解圖上的編號一致。

- (1) 防護罩
- (2) 起停開關的鎖止按鈕  
(3 601 EA2 0K./3 601 EA2 0L./3 601 EA2 0F.)
- (2) 起停開關的作動安全鎖  
(3 601 EA2 08./3 601 EA2 0B./3 601 EA2 04./3 601 EA2 00./3 601 EA2 07.)
- (3) 起停開關

- (4) 輔助手柄
- (5) 主軸鎖止鍵
- (6) 斜鋸角刻度尺
- (7) 設定斜鋸角的蝶翼螺栓
- (8) 平行擋塊的蝶翼螺栓
- (9) 45° 切割標記
- (10) 0° 切割標記
- (11) 平行擋塊
- (12) 活動防護罩
- (13) 活動防護罩調整桿
- (14) 底座
- (15) 設定斜鋸角的蝶翼螺栓
- (16) 出屑口
- (17) 內六角扳手
- (18) 夾緊螺栓，含墊片
- (19) 緊固法蘭
- (20) 圓鋸片<sup>a)</sup>
- (21) 配接法蘭
- (22) 電鋸主軸
- (23) 吸塵轉接頭的固定螺栓<sup>a)</sup>
- (24) 吸塵轉接頭<sup>a)</sup>
- (25) 設定鋸切深度的緊固扳桿
- (26) 鋸深刻度尺
- (27) 一對活動夾鉗<sup>a)</sup>
- (28) 把手 (絕緣握柄)

a) 圖表或說明上提到的配件，並不包含在基本的供貨範圍中。本公司的配件清單中有完整的配件供應項目。

### 技術性數據

手提圓鋸機		GKS 235 Turbo	GKS 235 Turbo	GKS 9
產品機號		3 601 EA2 0..	3 601 EA2 0B.	3 601 EA2 00. 3 601 EA2 07.
額定輸入功率	W	2050	2050	2050
無負載轉速	次 / 分	5300	5300	5300
最大負載轉速	次 / 分	3500	3500	3500
最大鋸切深度				
- 斜鋸角為 0° 時	mm	85	85	85
- 斜鋸角為 45° 時	mm	65	65	65
主軸鎖		●	●	●
底座尺寸	mm	383 x 170	383 x 170	383 x 170
最大鋸片直徑	mm	235	235	235
最小鋸片直徑	mm	230	230	230
鋸片主體的最大厚度	mm	2.2	2.2	2.2
最大鋸齒厚度 / 鋸齒斜度	mm	3.2	3.2	3.2
最小鋸齒厚度 / 鋸齒斜度	mm	2.0	2.0	2.0
接頭孔徑	mm	25	25.4	30



手提圓鋸機		GKS 235 Turbo	GKS 235 Turbo	GKS 9
重量符合 EPTA-Procedure 01:2014	kg	7.6	7.6	7.6
絕緣等級		□/II	□/II	□/II

本說明書提供的參數是以 230 伏特為依據，於低電壓地區，此數據有可能不同。

本設備符合 IEC 61000-3-11 要求且限於有條件連接。不合適的電力狀態下會導致本設備偶發性的電壓波動。本設備的阻抗設定為  $Z_{\text{actual}} = 0.14 \Omega$ 。使用者必須確認用於接上設備的連接點阻抗為  $Z_{\text{max}}$ ，且符合阻抗要求： $Z_{\text{actual}} \geq Z_{\text{max}}$ 。若  $Z_{\text{max}}$  不明，請洽詢電力網路提供商或電力公司以確定  $Z_{\text{max}}$  的數值。

## 安裝

- ▶ 所使用的鋸片的最高許可轉速必須高於電動工具的無負載轉速。

### 安裝／更換圓鋸片

- ▶ 維修電動工具或換裝零、配件之前，務必從插座上拔出插頭。
- ▶ 安裝鋸片時務必戴上防護手套。手如果接觸鋸片可能被割傷。
- ▶ 不得使用砂輪片作為切割工具。
- ▶ 所使用的鋸片必須符合本操作說明書中以及電動工具上所載述之特性參數。

### 選擇鋸片

本手冊最後面另外刊錄了鋸片一覽表。

### 拆卸鋸片（請參考圖 A）

更換刀具時最好以馬達機體朝下的方式豎起電動工具。

- 按壓主軸鎖止鍵 (5) 不要放開。
- ▶ 待電鋸主軸完全靜止後，才可以使用主軸鎖止鍵 (5)。否則可能造成電動工具損壞。
- 使用內六角扳手 (17) 將夾緊螺栓 (18) 沿旋轉方向 Ⓐ 鬆開。
- 將活動防護罩 (12) 往後翻，並讓它保持在這個位置上。
- 取下電鋸主軸 (22) 上的緊固法蘭 (19) 和鋸片 (20)。

### 安裝鋸片（請參考圖 A）

更換刀具時最好以馬達機體朝下的方式豎起電動工具。

- 請清潔鋸片 (20) 以及所有即將裝上的緊固件。
- 將活動防護罩 (12) 往後翻，並讓它保持在這個位置上。
- 將鋸片 (20) 裝到配接法蘭 (21) 上。鋸齒的鋸切方向（即鋸片上的箭頭方向）必須與防護罩 (1) 上的旋轉方向指示箭頭一致。
- 裝上緊固法蘭 (19)，並沿旋轉方向 Ⓑ 旋入夾緊螺栓 (18)。請注意：配接法蘭 (21) 和緊固法蘭 (19) 的安裝位置必須正確。
- 按壓主軸鎖止鍵 (5) 不要放開。
- 使用內六角扳手 (17) 將夾緊螺栓 (18) 沿旋轉方向 Ⓒ 旋緊。旋緊扭力應為 10–12 Nm，即徒手再多轉緊 ¼ 圈。

## 吸除廢塵／料屑

含鉛顏料、部分木材種類、礦石和金屬的加工廢塵有害健康。機器操作者或施工現場附近的人員如果接觸、吸入這些廢塵，可能會引發過敏反應或感染呼吸道疾病。

某些塵埃（例如加工橡木或山毛櫸的廢塵）可能致癌，特別是與處理木材的添加劑（例如木材的防腐劑等）結合之後。唯有受過專業訓練的人才能夠進行含石棉物料的加工。

- 儘可能使用適合物料物的吸塵裝置。
- 工作場所要保持空氣流通。
- 建議佩戴 P2 過濾等級的口罩。

請留意並遵守貴國的物料加工相關法規。

- ▶ 避免讓工作場所堆積過多的塵垢。塵埃容易被點燃。

### 安裝吸塵轉接頭（請參考圖 B）

將吸塵轉接頭 (24) 插到出屑口 (16) 上，直到確實卡上。另外再用螺絲 (23) 固定吸塵轉接頭 (24)。吸塵轉接頭 (24) 可連接直徑 35 mm 的吸塵管。

- ▶ 吸塵轉接頭若未外接其他吸塵裝備，則不得安裝在本產品上。否則可能造成機器的排塵管道阻塞。
- ▶ 吸塵轉接頭不得直接連接集塵袋。這樣會造成機器的排塵系統阻塞。

必須定期清潔吸塵轉接頭 (24)，以確保最佳吸塵效果。

### 外接其他的吸塵裝置

本電動工具可直接連接到博世全能型吸塵器的插座上，該吸塵器具備遙控啟動功能。當您啟動本電動工具時吸塵器也會跟著啟動。

根據工件材質選擇合適的吸塵器。

吸集可能危害健康、可能致癌或乾燥的廢塵時，務必使用特殊吸塵裝置。

在德國，通過 TRGS 553 檢驗的吸塵裝備用於吸除木屑時，機器本身的吸塵裝備不得做為工商業用途。做為工商業用途時，本機器若是用於吸除木屑以外的其他物質，則操作人員必須向同業職災保險與預防協會進一步確認相關特殊規定。

## 操作

- ▶ 維修電動工具或換裝零、配件之前，務必從插座上拔出插頭。

## 操作模式

### 調整鋸切深度 (請參考圖 C)

- ▶ 請配合工件厚度來調整鋸切深度。不可以讓鋸齒完全突出於工件之外。

鬆開緊固扳桿 (25)。鋸切深度較小時，請您將電鋸抽離底座 (14)；鋸切深度較大時，請將電鋸往底座 (14) 方向推入。參考鋸深刻度尺調整好鋸深。將緊固扳桿 (25) 重新拉緊。

緊固扳桿 (25) 的夾力可再進行調整。做法是：旋開緊固扳桿 (25)，然後再逆時針將它旋緊，至少達 30° 錯位。

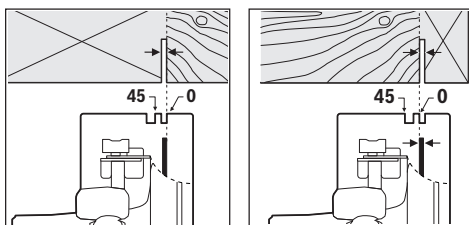
### 調整斜鋸角

擺放電動工具時，最好以防護罩 (1) 正面朝下之方式放置。

鬆開蝶翼螺絲 (7) 和 (15)。側向翻轉電鋸。參考刻度尺 (6) 調整至所需尺寸。將蝶翼螺絲 (7) 和 (15) 重新旋緊。

提示：進行斜切時，實際的鋸切深度會比鋸深刻度尺 (26) 上顯示的數值還要小。

### 切割標記



0° 切割標記 (10) 代表的是：進行直角鋸切時鋸片的所在位置。45° 切割標記 (9) 代表的是：進行 45° 鋸切時鋸片的所在位置。

為了確保鋸切的準確性，請按照插圖指示操作圖鋸機。最好先進行試鋸。

## 操作機器

- ▶ 請注意電源電壓！電源的電壓必須和電動工具銘牌上標示的電壓一致。標示為 230 V 的電動工具亦可接上 220 V 電源。

### 啟動/關閉

- ▶ 請確定您不用放開把手，就能操作起停開關。

3 601 EA2 0K./3 601 EA2 0L./

3 601 EA2 0F. :

按下起停開關 (3) 不要放開，即可讓電動工具持續運轉。

若要讓起停開關 (3) 保持在壓下狀態，請按壓鎖止按鍵 (2)。

若要關閉電動工具，請直接放開起停開關 (3) 即可，或者您若有使用鎖止按鍵 (2)，則請在起停開關 (3) 上短按一下後放開。

3 601 EA2 08./3 601 EA2 0B./

3 601 EA2 04./3 601 EA2 00./

3 601 EA2 07. :

若要讓電動工具運轉，請先按下作動安全鎖 (2) 接著再按住起停開關 (3) 不要放開。

放開起停開關 (3)，即可讓電動工具停止運轉。

提示：基於安全考量，無法鎖定起停開關 (3) 的位置，所以操作機器時必須持續按住此開關。

## 作業注意事項

- ▶ 維修電動工具或換裝零、配件之前，務必從插座上拔出插頭。

根據您所使用的鋸片，切口寬度各有差異。

妥善保護鋸片，避免遭受衝擊和敲擊。

所以操作機器時必須施力均勻，並朝著切割方向輕輕推動工具。操作機器時如果推力過猛會降低鋸片的使用壽命，並且損壞電動工具。

鋸切功率和鋸切效果，基本上是由鋸片的狀況和鋸片上鋸齒的形狀決定。因此只能使用銳利且適用於工件材質的鋸片。

### 鋸切木材

根據木材的種類、木材的品質以及鋸切的方向（順著木紋鋸切或與木紋交叉鋸切）選擇合適的鋸片。

順著木紋鋸切紅杉時會產生長的螺旋形木屑。

樺木及橡木的鋸屑對人體健康極為有害，因此加工時請務必搭配吸塵裝置一起使用。

### 使用平行擋塊進行鋸切 (請參考圖 D)

平行擋塊 (11) 可讓您沿著工件邊緣精準鋸切，或鋸切出寬度相同的長條狀。

請鬆開蝶翼螺絲 (8) 然後沿著底座 (14) 上的導槽推挪平行擋塊 (11)。請將對應之切割標記 (10) 或 (9) 的刻度值設為所需鋸切寬度，請參閱「切割標記」小節。將蝶翼螺絲 (8) 重新旋緊。

### 使用輔助擋塊進行鋸切 (請參考圖 E)

加工大型工件或鋸切直邊時，可以用弓形夾鉗把木板或木條固定在工件上充當輔助擋塊，接著再沿著輔助擋塊移動圖鋸機底座。

## 維修和服務

### 維修和清潔

- ▶ 維修電動工具或換裝零、配件之前，務必從插座上拔出插頭。

- ▶ 電動工具和通風口都必須保持清潔，這樣才能夠提高工作品質和安全性。

如果必須更換連接線，請務必交由 Bosch 或者經授權的 Bosch 電動工具顧客服務執行，以避免危害機器的安全性能。

活動防護罩必須能夠無阻礙地擺動，並且要能夠自動閉合。所以活動防護罩的四周必須隨時保持清潔。請用軟刷清除粉塵與鋸屑。

鋸片如果沒有保護塗層，可以在鋸片上塗抹一層薄薄的無酸潤滑油以預防鋸片生銹。使用機器之前必須清除油層，否則會在木材上留下污斑。

鋸片如果黏上了殘餘的樹脂和膠水，將影響鋸切效果。因此使用機器後必須馬上清潔鋸片。



### 顧客服務處和顧客諮詢中心

本公司顧客服務處負責回答有關本公司產品的維修、維護和備用零件的問題。以下的網頁中有分解圖和備用零件相關資料：[www.bosch-pt.com](http://www.bosch-pt.com)  
如果對本公司產品及其配件有任何疑问，博世應用諮詢小組很樂意為您提供協助。  
當您需要諮詢或訂購備用零件時，請務必提供本產品型號銘牌上 10 位數的產品機號。

#### 台灣

台灣羅伯特博世股份有限公司  
建國北路一段90號6樓  
台北市10491  
電話: (02) 7734 2588  
傳真: (02) 2516 1176  
[www.bosch-pt.com.tw](http://www.bosch-pt.com.tw)

#### 製造商地址:

Robert Bosch Power Tools GmbH  
羅伯特·博世電動工具有限公司  
70538 Stuttgart / GERMANY  
70538 斯圖加特/德國

#### 以下更多客戶服務處地址：

[www.bosch-pt.com/serviceaddresses](http://www.bosch-pt.com/serviceaddresses)

### 廢棄物處理

必須以符合環保的方式，回收再利用損壞的機器、配件和廢棄的包裝材料。



不可以把電動工具丟入家庭垃圾中。

## 한국어

### 안전 수칙

#### 전동공구 일반 안전 수칙

**경고** 본 전동공구와 함께 제공된 모든 안전경고, 지시사항, 그림 및 사양을 숙지하십시오. 다음의 지시 사항을 준수하지 않으면 감전, 화재, 또는 심각한 부상을 초래할 수 있습니다.

앞으로 참고할 수 있도록 이 안전수칙과 사용 설명서를 잘 보관하십시오.

다음에서 사용되는 "전동공구"라는 개념은 전원에 연결하여 사용하는 (전선이 있는) 전동 기기나 배터리를 사용하는 (전선이 없는) 전동 기기를 의미합니다.

#### 작업장 안전

▶ **작업장을 항상 깨끗이 하고 조명을 밝게 하십시오.** 작업장 환경이 어수선하거나 어두우면 사고를 초래할 수 있습니다.

- ▶ 가연성 유체, 가스 또는 분진이 있어 폭발 위험이 있는 환경에서 전동공구를 사용하지 마십시오. 전동공구는 분진이나 증기에 점화하는 스파크를 일으킬 수 있습니다.
- ▶ 전동공구를 사용할 때 구경꾼이나 어린이 혹은 다른 사람이 작업장에 접근하지 못하게 하십시오. 다른 사람이 주의를 산만하게 하면 기기에 대한 통제력을 잃기 쉽습니다.

#### 전기에 관한 안전

- ▶ 전동공구의 전원 플러그가 전원 콘센트에 잘 맞아야 합니다. 플러그를 절대 변경시켜서는 안 됩니다. (접지된) 전동공구를 사용할 때 어댑터 플러그를 사용하지 마십시오. 변형되지 않은 플러그와 잘 맞는 콘센트를 사용하면 감전의 위험을 줄일 수 있습니다.
- ▶ 파이프 관, 라디에이터, 레인지, 냉장고와 같은 접지 표면에 몸이 닿지 않도록 하십시오. 몸에 닿을 경우 감전될 위험이 높습니다.
- ▶ 전동공구를 비에 맞지 않게 하고 습기 있는 곳에 두지 마십시오. 전동공구에 물이 들어가면 감전될 위험이 높습니다.
- ▶ 전원 코드를 잘못 사용하는 일이 없도록 하십시오. 전원 코드를 잡고 전동공구를 운반해서는 안 되며, 콘센트에서 전원 플러그를 뽑을 때 전원 코드를 잡아 당겨서는 절대로 안 됩니다. 전원 코드가 열과 오일에 접촉하는 것을 피하고, 날카로운 모서리나 기기의 가동 부위에 닿지 않도록 주의 하십시오. 손상되거나 영긴 전원 코드는 감전을 유발할 수 있습니다.
- ▶ 실외에서 전동공구로 작업할 때는 실외용으로 적당한 연장 전원 코드만을 사용하십시오. 실외용 연장 전원 코드를 사용하면 감전의 위험을 줄일 수 있습니다.
- ▶ 전동공구를 습기 찬 곳에서 사용해야 할 경우에는 누전 차단기를 사용하십시오. 누전 차단기를 사용하면 감전 위험을 줄일 수 있습니다.

#### 사용자 안전

- ▶ 신중하게 작업하며, 전동공구를 사용할 때 경솔하게 행동하지 마십시오. 피로한 상태이거나 약물 복용 및 음주한 후에는 전동공구를 사용하지 마십시오. 전동공구를 사용할 때 잠시라도 주의가 산만해지면 중상을 입을 수 있습니다.
- ▶ 작업자 안전을 위한 장치를 사용하십시오. 항상 보안경을 착용하십시오. 전동공구의 종류와 사용에 따라 먼지 보호 마스크, 미끄러지지 않는 안전화, 안전모 또는 귀마개 등의 안전한 복장을 하면 상해의 위험을 줄일 수 있습니다.
- ▶ 실수로 기기가 작동되지 않도록 주의하십시오. 전동공구를 전원에 연결하거나 배터리를 끼우기 전에, 혹은 기기를 들거나 운반하기 전에, 전원 스위치가 꺼져 있는지 다시 확인하십시오. 전동공구를 운반할 때 전원 스위치에 손가락을 대거나 전원 스위치가 켜진 상태에서 전원을 연결하면 사고 위험이 높습니다.
- ▶ 전동공구를 사용하기 전에 조절하는 톨이나 키 등을 빼 놓으십시오. 회전하는 부위에 있는 톨이나 키로 인해 상처를 입을 수 있습니다.

- ▶ 자신을 과신하지 마십시오. 불안정한 자세를 피하고 항상 평형을 이룬 상태로 작업하십시오. 안정된 자세와 평형한 상태로 작업해야만이 의외의 상황에서도 전동공구를 안전하게 사용할 수 있습니다.
- ▶ 알맞은 작업복을 입으십시오. 헐렁한 복장을 하거나 장신구를 착용하지 마십시오. 머리카락이 가동하는 기기 부위에 가까이 닿지 않도록 주의하십시오. 헐렁한 복장, 장신구 혹은 긴 머리는 가동 부위에 말려 사고를 초래할 수 있습니다.
- ▶ 분진 추출장치나 수거장치의 조립이 가능한 경우, 이 장치가 연결되어 있는지, 제대로 작동이 되는지 확인하십시오. 이러한 분진 추출장치를 사용하여 분진으로 인한 사고 위험을 줄일 수 있습니다.
- ▶ 툴을 자주 사용한다고 해서 안주하는 일이 없게 하고 공구의 안전 수칙을 무시하지 않도록 하십시오. 부주의하게 취급하여 순간적으로 심각한 부상을 입을 수 있습니다.

**전동공구의 올바른 사용과 취급**

- ▶ 기기를 과부하 상태에서 사용하지 마십시오. 작업할 때 이에 적당한 전동공구를 사용하십시오. 알맞은 전동공구를 사용하면 지정된 성능 한도 내에서 더 효율적으로 안전하게 작업할 수 있습니다.
- ▶ 전원 스위치가 고장 난 전동공구를 사용하지 마십시오. 전원 스위치가 작동되지 않는 전동공구는 위험하므로, 반드시 수리를 해야 합니다.
- ▶ 전동공구를 조정하거나 액세서리 부품 교환 혹은 공구를 보관할 때, 항상 전원 콘센트에서 플러그를 미리 빼어 놓거나 배터리를 분리하십시오. 이러한 조치는 실수로 전동공구가 작동하게 되는 것을 예방합니다.
- ▶ 사용하지 않는 전동공구는 어린이 손이 닿지 않는 곳에 보관하고, 전동공구 사용에 익숙지 않거나 이 사용 설명서를 읽지 않은 사람은 기기를 사용해서는 안 됩니다. 경험이 없는 사람이 전동공구를 사용하면 위험합니다.
- ▶ 전동공구 및 액세서리를 조심스럽게 관리하십시오. 가동 부위가 하자 없이 정상적인 기능을 하는지, 걸리는 부위가 있는지, 혹은 전동공구의 기능에 중요한 부품이 손상되지 않았는지 확인하십시오. 손상된 기기의 부품은 전동공구를 다시 사용하기 전에 반드시 수리를 맡기십시오. 제대로 관리하지 않은 전동공구의 경우 많은 사고를 유발합니다.
- ▶ 절단 공구를 날카롭고 깨끗하게 관리하십시오. 날카로운 절단면이 있고 잘 관리된 절단공구는 걸리는 경우가 드물고 조절하기도 쉽습니다.
- ▶ 전동공구, 액세서리, 장착하는 공구 등을 사용할 때, 이 지시 사항과 특별히 기종 별로 나와있는 사용 방법을 준수하십시오. 이때 작업 조건과 실시하려는 작업 내용을 고려하십시오. 원래 사용 분야가 아닌 다른 작업에 전동공구를 사용할 경우 위험한 상황을 초래할 수 있습니다.
- ▶ 손잡이 및 잡는 면을 건조하게 유지하고, 오일 및 그리스가 묻어 있지 않도록 깨끗하게 하십시오.

손잡이 또는 잡는 면이 미끄러우면 예상치 못한 상황에서 안전한 취급 및 제어가 어려워집니다.

**서비스**

- ▶ 전동공구 수리는 반드시 전문 인력에게 맡기고, 수리 정비 시 보쉬 순정 부품만을 사용하십시오. 그렇게 함으로써 기기의 안전성을 오래 유지할 수 있습니다.

**등근통 안전 수칙**

**절단 작업**

- ▶ **⚠ 위험: 절단 영역 및 절단날에 손을 가까이 두지 마십시오. 다른 한 손은 보조 손잡이 또는 모터 하우징을 잡으십시오.** 양손으로 톱을 잡고 있으면, 절단날에 손이 배일 염려가 없습니다.
- ▶ 가공물 아래쪽으로 손을 내밀지 마십시오. 가드를 사용해도 가공물 아래쪽에 있는 절단날로부터 보호받을 수 있는 것은 아닙니다.
- ▶ 가공물의 두께에 맞춰 절단 깊이를 조정하십시오. 모든 가공물에서 최대 깊이로 절단하면 안 됩니다.
- ▶ 절단 작업을 진행하는 동안 가공물을 절대 손으로 잡거나 다리에 닿지 않게 하십시오. 가공물을 작업대에 안전하게 고정시키십시오. 신체 노출, 절단날 고착 또는 통제력 상실 등을 최소화하려면 가공물을 단단히 고정하는 것이 중요합니다.
- ▶ 절단 공구가 숨겨진 배선 또는 코드를 접촉할 가능성이 있는 작업을 수행할 경우, 전동공구의 절연된 손잡이 면만 잡으십시오. 전류가 흐르는 전선에 접촉되면, 전동공구의 노출된 금속 부분에 전류가 흐르는 상태가 되어 작업자가 감전될 수 있습니다.
- ▶ 커는 작업을 할 때는 항상 린펜스나 일자 가이드를 사용하십시오. 절단 작업의 정확도를 높이고, 톱날이 고착될 가능성을 줄일 수 있습니다.
- ▶ 항상 주축 구멍의 크기와 모양(다이아몬드형 또는 원형)이 맞는 절단날을 사용하십시오. 절단날이 톱에 장착된 장비와 맞지 않으면 중심을 벗어난 상태로 작동되어 통제력을 잃을 수 있습니다.
- ▶ 손상되거나 올바르게 맞지 않는 톱날 와셔나 볼트를 사용해서는 안 됩니다. 톱날에 맞는 와셔와 볼트를 사용해야 안전하고 최적화된 작업을 할 수 있습니다.

**킥백 현상의 원인 및 관련 경고사항**

- 킥백(반동)이란 톱날이 딱 끼이거나 고착되거나 어긋나면서 생기는 갑작스런 반작용을 의미하며, 반동이 생기면 통제력을 잃고 톱이 들어 올려지면서 가공물을 벗어나 작업자를 향할 수 있습니다.
- 작업이 중단된 절단 자국에 톱날이 딱 끼이거나 고착되면, 톱날이 멈추고 모터 반응으로 인해 장비가 갑자기 작업자를 향해 뒤쪽으로 이동될 수 있습니다.
- 톱날이 절단 부위에서 비틀리거나 어긋나면, 톱날 뒤쪽 모서리에 있는 톱니가 목재 표면 상단을 파고 들어갈 수 있으며, 이로 인해 톱날이 절단 자국을 타고 내려가서 작업자쪽으로 튀어 오를 수 있습니다.

킥백 현상은 톱을 잘못 사용하거나 잘못된 조작 절차 또는 조건으로 인해 발생하며 아래와 같은 방법으로 예방할 수 있습니다.

- ▶ 양손으로 톱의 손잡이를 단단히 잡고, 팔은 반동력을 견딜 수 있는 위치에 놓으십시오. 몸을 톱날과 일렬로 두지 말고 톱날 한쪽에 비켜 두십시오. 반동으로 인해 톱이 뒤쪽으로 튕길 수 있지만, 적절한 예방 조치를 취한다면 작업자가 반동력을 조절할 수 있습니다.
- ▶ 어떤 이유로든 날이 고착되거나 절단되지 않을 경우 작동장치에서 손을 떼고 작업 소재에서 톱날이 완전히 멈출 때까지 톱을 잡고 계십시오. 톱날이 움직이는 동안 또는 반동이 생길 수 있는 상태에서는 가공물에서 톱을 떼어내거나 톱을 뒤쪽으로 당기지 마십시오. 점검을 통해 톱날의 고착 원인을 제거할 수 있는 조치를 취하십시오.
- ▶ 가공물에서 톱을 다시 작동시키면, 톱날의 중심을 절단 자국에 맞춰 톱날이 작업 소재에 걸리지 않도록 하십시오. 톱날이 고착되면, 톱이 다시 작동되면서 톱날이 가공물을 타고 휜 올라가거나 튕겨나갈 수 있습니다.
- ▶ 큰 패널은 반침대로 받침중으로써 톱날이 끼일 위험 및 반동 위험을 최소화하여 줄이십시오. 패널이 너무 크면 무게 때문에 아래로 처질 수 있습니다. 받침대는 양쪽 패널 아래 절단선 가까이, 그리고 패널 가장자리 가까이 배치해야 합니다.
- ▶ 무디거나 손상된 톱날을 사용하지 마십시오. 톱날이 무디거나 올바르게 장착되지 않은 경우 절단 자국이 좁게 형성되면서 과도한 마찰, 톱날 고착 그리고 반동이 생길 수 있습니다.
- ▶ 톱날 길이 및 경사 조정 고정 레버는 단단히 고정되어 있어야 하며, 절단하기 전에 잘 고정되어 있는지 확인하십시오. 절단하는 도중에 톱날 조정 상태가 바뀌면, 톱날이 고착되거나 반동이 생길 수 있습니다.
- ▶ 벽 안쪽이나 눈에 잘 보이지 않는 부분을 절단할 때는 특히 주의하십시오. 돌출된 톱날로 가공물을 자르면서 킥백 현상이 발생할 수 있습니다.

#### 아래쪽 가드 기능

- ▶ 사용하기 전에 항상 아래쪽 가드가 잘 씌워져 있는지 확인하십시오. 아래쪽 가드가 원하는 대로 움직이지 않을 경우 톱을 작동하지 말고 즉시 가드를 씌우십시오. 아래쪽 가드를 개방된 위치에 고정시키거나 묶지 마십시오. 실수로 톱이 떨어진 경우, 아래쪽 가드가 구부러질 수 있습니다. 핸들을 되감아 아래쪽 가드를 들어 올려 가드가 원하는 대로 잘 움직이는지, 톱날 또는 다른 부위를 건드리지 않는지 모든 절단 각도 및 절단 깊이에서 확인하십시오.
- ▶ 아래쪽 가드 스프링이 작동하는지 확인하십시오. 가드 및 스프링이 제대로 작동하지 않을 경우, 사용하기 전에 서비스를 받아야 합니다. 부품 손상, 끈끈한 침전물 생성 또는 파편들로 인해 가드 작동이 느려질 수 있습니다.
- ▶ 아래쪽 가드는 플런지 절단 및 혼합 절단과 같이 특수한 절단 작업이 이루어지는 경우에만 수동으로 감을 수 있습니다. 핸들을 되감아 아래쪽 가드

를 들어 올리고, 톱날이 소재에 진입하면 바로 아래쪽 가드에서 손을 떼야 합니다. 다른 톱질 작업을 할 경우, 아래쪽 가드는 자동으로 작동되는 것이 맞습니다.

- ▶ 톱을 작업대 또는 바닥에 내려놓기 전에 톱날이 아래쪽 가드에 씌워져 있는지 항상 확인하십시오. 톱날에 가드가 씌워져 있지 않거나 톱날이 관성에 의해 아직 움직인다면 톱이 뒤쪽으로 이동하면서 그 경로에 놓인 물체를 절단할 수 있습니다. 스위치에서 손을 떼 후 톱날이 멈추기 전까지 시간이 얼마나 걸리는지 확인하십시오.

#### 추가 안전 경고사항

- ▶ 칩 배출구를 손으로 잡지 마십시오. 회전하는 부품에서 부상을 입을 수 있습니다.
- ▶ 머리 위에서 톱으로 작업하지 마십시오. 전동 공구에 대한 통제력을 잃을 수 있습니다.
- ▶ 보이지 않는 부위에 에너지 배선 및 배관 여부를 확인하려면 적당한 탐지기를 사용하거나 담당 전력 공급회사에 문의하십시오. 전선에 접하게 되면 화재나 전기 충격을 야기할 수 있습니다. 가스관을 손상시키면 폭발 위험이 있습니다. 수도관을 파손하게 되면 재산 피해를 유발하거나 전기 충격을 야기할 수 있습니다.
- ▶ 전동 공구를 양손으로 꼭 잡고 안전한 자세로 작업하십시오. 전동공구를 양손으로 잡고 움직이면 더 안전합니다.
- ▶ 전동공구가 고정되지 않은 상태에서 작동하지 마십시오. 톱 테이블과 함께 사용하기 위한 용도로 설계되지 않았습니니다.
- ▶ 직각으로 작업이 진행되지 않는 “플런지 컷” 작업 시 톱의 가이드 플레이트가 측면으로 밀리지 않도록 하십시오. 측면으로 밀리면 톱날이 끼어 반동이 일어날 수 있습니다.
- ▶ 작업물을 잘 고정하십시오. 고정장치나 기계 바이스에 끼워서 작업하면 손으로 잡는 것보다 더 안전합니다.
- ▶ 전동공구를 내려놓기 전에 기기가 완전히 멈추었는지 확인하십시오. 삽입공구가 걸리거나 전동공구에 대한 통제가 어려워질 수 있습니다.
- ▶ 고속강(HSS)으로 된 톱날은 사용하지 마십시오. 이런 톱날은 쉽게 부러질 수 있습니다.
- ▶ 철근속에 작업하지 마십시오. 달아오른 칩은 집진 시 전화될 수 있습니다.
- ▶ 분진 마스크를 착용하십시오.

## 제품 및 성능 설명



모든 안전 수칙과 지침을 숙지하십시오. 다음의 안전 수칙과 지침을 준수하지 않으면 화재 위험이 있으며 감전 혹은 중상을 입을 수 있습니다.

사용 설명서 앞 부분에 제시된 그림을 확인하십시오.

### 규정에 따른 사용

본 전동공구는 목재를 작업대에 단단하게 고정시킨 상태에서 가로 방향 및 세로 방향으로 직선 절단 및 비스듬하게 절단하기 위한 용도로 사용됩니다. 철금속 작업에는 허용되지 않습니다.

### 제품의 주요 명칭

제품의 주요 명칭에 표기되어 있는 번호는 기기 그림이 나와있는 면을 참고하십시오.

- (1) 안전반
- (2) 전원 스위치 잠금 버튼  
(3 601 EA2 0K./3 601 EA2 0L./3 601 EA2 0F.)
- (2) 전원 스위치 시동 안전 잠금장치  
(3 601 EA2 08./3 601 EA2 0B./3 601 EA2 04./3 601 EA2 00./3 601 EA2 07.)
- (3) 전원 스위치
- (4) 보조 손잡이
- (5) 스피들 잠금 버튼
- (6) 마이터 각도용 눈금
- (7) 절단 각도 설정용 날개 나사
- (8) 평행 조절자용 날개 나사
- (9) 절단 표시 45°
- (10) 절단 표시 0°
- (11) 평행 조절자
- (12) 하부 안전반
- (13) 하부 안전반용 조절 레버
- (14) 베이스 플레이트
- (15) 절단 각도 설정용 날개 나사
- (16) 톱밥 배출구
- (17) 육각키
- (18) 클램핑 볼트(와셔 포함)
- (19) 고정 플랜지
- (20) 톱날<sup>a)</sup>
- (21) 수송 플랜지
- (22) 톱 스피들
- (23) 흡입 어댑터용 고정 나사<sup>a)</sup>
- (24) 흡입 어댑터<sup>a)</sup>
- (25) 절단 깊이 설정용 고정 레버
- (26) 절단 깊이 눈금자
- (27) 나사식 고정장치<sup>a)</sup>
- (28) 손잡이(절연된 손잡이 부위)

a) 도면이나 설명서에 나와있는 액세서리는 표준 공급부품에 속하지 않습니다. 전체 액세서리는 저희 액세서리 프로그램을 참고하십시오.

### 제품 사양

원형톱		GKS 235 Turbo	GKS 235 Turbo	GKS 9
제품 번호		3 601 EA2 0..	3 601 EA2 0B.	3 601 EA2 00. 3 601 EA2 07.
소비 전력	W	2050	2050	2050
무부하 속도	min <sup>-1</sup>	5300	5300	5300
부하 시 최대 속도	min <sup>-1</sup>	3500	3500	3500
최대 절단 깊이				
- 마이터각 0°일 때	mm	85	85	85
- 마이터각 45°일 때	mm	65	65	65
스피들 잠금장치		●	●	●
베이스 플레이트 치수	mm	383 x 170	383 x 170	383 x 170
최대 톱날 직경	mm	235	235	235
최소 톱날 직경	mm	230	230	230
최대 두께	mm	2.2	2.2	2.2
최대 톱니 두께/톱니 세팅	mm	3.2	3.2	3.2
최소 톱니 두께/톱니 세팅	mm	2.0	2.0	2.0
내경	mm	25	25.4	30
EPTA-Procedure 01:2014에 따른 중량	kg	7.6	7.6	7.6
보호 등급		□/II	□/II	□/II

자료는 정격 전압 [U] 230 V를 기준으로 한 것입니다. 전압이 다른 경우 및 국가별 사양에 따라 변동이 있을 수 있습니다.

본 기기는 IEC 61000-3-11 요구 사항을 충족하며 조건부 연결이 적용됩니다. 전력이 불안정한 상황에서는 간헐적으로 전압 변동이 발생할 수 있으며, 본 기기의 임피던스는  $Z_{\text{actual}} = 0.14 \Omega$ 로 설정되어 있습니다. 사용자는 임피던스  $Z_{\text{max}}$ 를 결정짓는 연결 지점이 임피던스 요구 사항( $Z_{\text{actual}} \geq Z_{\text{max}}$ )을 충족하는지 여부를 확인해야 합니다.  $Z_{\text{max}}$  확인이 불가능한 경우, 네트워크 공급자 또는 공급 기관에 문의하여  $Z_{\text{max}}$ 를 결정하십시오.

## 조립

- ▶ 톱날에 허용되는 속도가 전동공구의 최고 무부하 속도보다 높은 톱날만 사용해야 합니다.

### 원형 톱날 장착하기/교환하기

- ▶ 전동공구를 보수 정비하기 전에 반드시 콘센트에서 전원 플러그를 빼십시오.
- ▶ 톱날을 조립할 때 보호 장갑을 착용하십시오. 톱날에 닿게 되면 상해를 입을 수 있습니다.
- ▶ 절대로 연마석을 톱날로 사용해서는 안 됩니다.
- ▶ 이 사용 설명서 및 전동공구에 나와있는 특성 자료에 부합하는 톱날만 사용하십시오.

### 톱날 선택하기

추천하는 톱날 목록은 본 설명서의 마지막 부분에 나와 있습니다.

### 톱날 분리하기(그림 A 참조)

공구를 교환할 때 전동공구를 모터 하우징의 앞쪽으로 놓는 것이 제일 좋습니다.

- 스펀들 잠금 버튼 (5)을 누른 후 누른 상태를 유지하십시오.
- ▶ 스펀들 잠금 버튼 (5)은 톱 스펀들이 완전히 정지된 상태에서만 누르십시오. 그렇게 하지 않으면 전동공구가 손상될 수 있습니다.
- 육각키 (17)를 이용하여 클램핑 볼트 (18)을 ① 방향으로 돌려 푸십시오.
- 하부 안전반 (12)의 방향을 되돌린 후 안전반을 꼭 잡으십시오.
- 고정 플랜지 (19) 및 톱날 (20)을 톱 스펀들 (22)에서 빼내십시오.

### 톱날 조립하기(그림 A 참조)

공구를 교환할 때 전동공구를 모터 하우징의 앞쪽으로 놓는 것이 제일 좋습니다.

- 톱날 (20) 및 조립할 부품을 모두 깨끗이 닦습니다.
- 하부 안전반 (12)의 방향을 되돌린 후 안전반을 꼭 잡으십시오.
- 톱날 (20)을 수용 플랜지 (21)에 올려 놓으십시오. 톱날의 절단 방향(톱날에 적힌 화살표 방향) 및 보호 커버 (1)에 제시된 회전 화살표가 일치해야 합니다.
- 고정 플랜지 (19)를 올려 놓고 볼트 (18)를 ② 방향으로 돌려 체결하십시오. 수용 플랜지 (21) 및 고정 플랜지 (19)의 설치 위치가 올바른지 확인하십시오.
- 스펀들 잠금 버튼 (5)을 누른 후 누른 상태를 유지하십시오.
- 육각키 (17)를 이용하여 클램핑 볼트 (18)를 ② 방향으로 조이십시오. 조임 토크는 10-12 Nm이

어야 하며, 이는 손으로 ¼ 만큼 회전시킨 것과 같습니다.

### 분진 및 톱밥 추출장치

납 성분을 포함한 페인트나 몇몇 나무 종류, 또는 광물 성분 그리고 철과 같은 재료의 분진은 건강을 해칠 수 있습니다. 이 분진을 만지거나 호흡할 경우, 사용자나 주변 사람들이 알레르기 반응이나 호흡기 장애를 일으킬 수 있습니다.

떡갈나무나 너도밤나무와 같은 특정한 분진은 암을 유발시키며, 특히 목재 처리용으로 사용되는 부가 원료 (크로마트, 목재 보호제)와 혼합되면 암을 유발시키게 됩니다. 석면 성분을 포함한 재료는 전문가만 작업할 수 있습니다.

- 가능하면 작업물 소재에 적당한 분진 추출장치를 사용하십시오.
- 작업장의 통풍이 잘 되도록 하십시오.
- 필터등급 P2가 장착된 호흡 마스크를 사용하십시오.

작업용 재료에 관해 국가가 지정한 규정을 고려하십시오.

- ▶ 작업장에 분진이 쌓이지 않도록 하십시오. 분진이 쉽게 발화할 수 있습니다.

### 흡입 어댑터 조립하기(그림 B 참조)

흡입 어댑터 (24)가 맞물려 고정될 때까지 톱밥 배출구 (16)에 끼우십시오. 추가로 나사 (23)를 이용해 흡입 어댑터 (24)를 고정시키십시오.

흡입 어댑터 (24)에 직경 35 mm의 흡입 호스를 연결할 수 있습니다.

- ▶ 흡입 어댑터는 외부 집진기를 사용하지 않을 경우 조립할 수 없습니다. 흡입관이 막힐 위험이 있기 때문입니다.

- ▶ 흡입 어댑터에 집진포를 연결할 수 없습니다. 흡입 시스템이 막힐 위험이 있기 때문입니다.

완벽한 집진 효과를 보장하려면 주기적으로 흡입 어댑터 (24)를 청소해야 합니다.

### 외부 분진 처리

전동공구는 리모컨이 있는 보쉬 다용도 청소기 소켓에 바로 연결할 수 있습니다. 이 경우 전동공구의 스위치를 켜면 자동으로 작동이 됩니다.

진공 청소기는 작업하는 소재에 적당한 것이어야 합니다.

특히 건강에 유해한 발암성 혹은 건조한 분진을 처리해야 할 경우에는 특수한 청소기를 사용해야 합니다.

독일에서는 톱밥 흡입용으로 TRGS 553 인증을 거친 청소기가 요구되며, 사업장에서 가정용 청소기를 사용할 수 없습니다. 다른 소재의 경우 사업장 소유주는 담당 산재 보험 조합과 함께 특수한 요건에 대해 협의해야 합니다.



## 작동

▶ 전동공구를 보수 정비하기 전에 반드시 콘센트에서 전원 플러그를 빼십시오.

### 작동 모드

절단 깊이 조절하기(그림 C 참조)

▶ 작업물의 두께에 맞춰 절단 깊이를 조절하십시오. 작업물 아래로 톱날의 톱니가 한 개 이상 보이면 안 됩니다.

클램핑 레버 (25) 를 푸십시오. 절단 깊이가 얇은 경우에는 밀판 (14) 에서 톱을 당겨 빼내고, 절단 깊이가 깊은 경우 톱을 밀판 (14) 쪽으로 누르십시오. 원하는 수치를 절단 깊이 눈금자로 맞춥니다. 클램핑 레버 (25) 를 다시 조이십시오.

클램핑 레버 (25) 의 고정력을 다시 조정할 수 있습니다. 이를 위해 클램핑 레버 (25) 의 체결을 풀고 최소 30° 이상 시계 반대 방향으로 옮겨 다시 조이십시오.

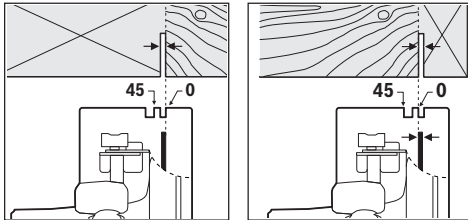
### 마이터 각도 설정하기

전동공구는 안전반 (1) 의 앞쪽으로 놓는 것이 가장 좋습니다.

날개 나사 (7) 및 (15) 를 푸십시오. 톱을 옆쪽으로 움직입니다. 원하는 수치를 눈금자 (6) 로 맞춥니다. 나사 (7) 및 (15) 를 다시 체결하십시오.

지침: 마이터 절단 작업을 할 경우 절단 깊이는 절단 깊이 눈금자 (26) 에 나와있는 수치보다 적습니다.

### 절단 표시



절단 표시 0° (10) 는 직각으로 절단할 때의 톱날 위치를 나타냅니다. 절단 표시 45° (9) 는 45°로 절단할 때의 톱날 위치를 나타냅니다.

정확한 절단을 하려면 원형 톱을 그림에 나와있는 것처럼 작업물에 올려보십시오. 제일 좋은 방법은 우선 시험 절단을 해 보십시오.

### 기계 시동

▶ 전원의 전압에 유의하십시오! 공급되는 전원의 전압은 전동공구의 명판에 표기된 전압과 동일해야 합니다. 230 V 로 표시된 전동공구는 220 V 에서도 작동이 가능합니다.

### 전원 스위치 작동

▶ 손잡이에서 손을 떼지 않고 전원 스위치를 작동할 수 있는지 확인하십시오.

3 601 EA2 0K./3 601 EA2 0L./3 601 EA2 0F.:

전동공구를 작동하려면 전원 스위치 (3) 를 누르고 누른 상태를 유지하십시오.

눌린 상태의 전원 스위치 (3) 를 잠금 상태로 유지하려면 잠금 버튼 (2) 을 누릅니다.

전동공구의 스위치를 끄려면 전원 스위치 (3) 에서 손을 떼거나 잠금 버튼 (2) 을 눌러 잠긴 상태인 경우에는 전원 스위치 (3) 를 잠깐 눌렀다가 다시 놓습니다.

3 601 EA2 08./3 601 EA2 0B./3 601 EA2 04./3 601 EA2 00./3 601 EA2 07.:

전동공구를 작동하려면 먼저 시동 안전 잠금장치 (2) 를 누른 다음 전원 스위치 (3) 를 누른 후 누른 상태를 계속 유지하십시오.

전동공구의 스위치를 끄려면 전원 스위치 (3) 에서 손을 떼면 됩니다.

지침: 작업 안전상의 이유로 전원 스위치 (3) 를 고정할 수 없으므로, 작동 중에 이를 계속 누르고 있어야 합니다.

### 사용 방법

▶ 전동공구를 보수 정비하기 전에 반드시 콘센트에서 전원 플러그를 빼십시오.

절단 폭은 사용하는 톱날에 따라 달라집니다.

톱날에 충격을 주지 않도록 하십시오.

전동공구를 일정하게 가깝게 누르면서 절단 방향으로 움직입니다. 무리하게 밀면서 작업하면 날의 수명이 훨씬 짧아지며 전동공구를 손상시킬 수 있습니다.

톱의 성능과 절단작업의 성공 여부는 대부분 톱날 상태와 톱니 형태에 따라 좌우됩니다. 그러므로 반드시 날카롭고 작업하려는 소재에 적당한 톱날만을 사용해야 합니다.

### 목재에 톱질작업하기

톱날의 올바른 선택은 목재의 종류와 품질 그리고 세로 혹은 가로 절단을 하느냐에 따라 달라집니다. 가문비나무에 세로 절단을 할 경우 긴 나선형의 톱날이 생깁니다.

너도밤나무 및 물푸레나무 분진은 특히 건강에 유해하므로, 항상 집진기를 함께 사용하십시오.

### 평행 조절자를 이용한 톱 작업(그림 D 참조)

평행 조절자 (11) 를 통해 부재 모서리를 따라 정확한 절단이 실현되거나 규칙이 동일한 각재 절단이 가능합니다.

날개 나사 (8) 를 풀고 밀판 (14) 의 가이드를 관통시켜 평행 조절자 (11) 의 눈금자를 미십시오. 원하는 절단 폭을 해당 절단 표시 (10) 또는 (9) 에 있는 눈금값으로 설정하십시오(“절단 표시” 단락 참조). 나사 (8) 를 다시 체결하십시오.

### 보조 스톱퍼를 이용한 톱 작업(그림 E 참조)

크기가 큰 작업물을 절단하거나 직선의 모서리를 자를 경우, 판자나 길쭉한 나무 조각을 보조 가이드로 작업물에 고정하면 다음에 밀판이 있는 원형 톱을 보조 가이드를 따라 움직이면 됩니다.



## 보수 정비 및 서비스

### 보수 정비 및 유지

- ▶ 전동공구를 보수 정비하기 전에 반드시 콘센트에서 전원 플러그를 빼십시오.
- ▶ 안전하고 올바른 작동을 위하여 전동공구와 전동공구의 통풍구를 항상 깨끗이 하십시오.

연결 코드를 교환해야 할 경우 안전을 기하기 위해 **Bosch** 또는 **Bosch** 지정 전동공구 서비스 센터에 맡겨야 합니다.

하부 안전반은 항상 자유롭게 움직이고 저절로 닫힐 수 있어야 합니다. 그렇기 때문에 하부 안전반 주위를 항상 깨끗이 해야 합니다. 브러시를 사용하여 분진과 톱밥을 제거하십시오.

코팅되지 않은 톱날은 얇은 중성 오일 층을 통해 부식을 방지합니다. 목재가 더러워질 수 있으므로, 톱질을 시작하기 전에 오일을 다시 제거하십시오.

톱날에 수지나 접착제 찌꺼기가 남아 있으면 제대 로 절단이 안 됩니다. 그러므로 톱날을 사용한 후 바로 깨끗이 닦으십시오.

### AS 센터 및 사용 문의

AS 센터에서는 귀하 제품의 수리 및 보수정비, 그리고 부품에 관한 문의를 받고 있습니다. 대체 부품에 관한 분해 조립도 및 정보는 인터넷에서도 찾아 볼 수 있습니다 - [www.bosch-pt.com](http://www.bosch-pt.com)

보수 사용 문의 팀에서는 보수의 제품 및 해당 액세서리에 관한 질문에 기꺼이 답변 드릴 것입니다.

문의나 대체 부품 주문 시에는 반드시 제품 네임 플레이트에 있는 10자리의 부품번호를 알려 주십시오.

콜센터  
080-955-0909

다른 AS 센터 주소는 아래 사이트에서 확인할 수 있습니다:

[www.bosch-pt.com/serviceaddresses](http://www.bosch-pt.com/serviceaddresses)

### 처리

기기와 액세서리 및 포장 등은 환경 친화적인 방법으로 재생할 수 있도록 분류하십시오.



전동공구를 가정용 쓰레기로 처리하지 마십시오!

## ไทย

### คำเตือนเพื่อความปลอดภัย

#### คำเตือนเพื่อความปลอดภัยทั่วไปสำหรับเครื่องมือไฟฟ้า

#### คำเตือน อ่านคำเตือนเพื่อความปลอดภัย คำแนะนำ ภาพประกอบ และข้อมูล

จำเพาะทั้งหมดที่จัดส่งมาพร้อมกับเครื่องมือไฟฟ้า

การไม่ปฏิบัติตามคำแนะนำทั้งหมดที่ระบุไว้ด้านล่างนี้อาจทำให้ถูกไฟฟ้าดูด เกิดไฟไหม้ และ/หรือได้รับบาดเจ็บอย่างร้ายแรง

#### เก็บรักษาคำเตือนและคำสั่งทั้งหมดสำหรับเปิดอ่านในภายหลัง

คำว่า "เครื่องมือไฟฟ้า" ในคำเตือนหมายถึง เครื่องมือไฟฟ้าของท่านที่ทำงานด้วยพลังงานไฟฟ้าจากแหล่งจ่ายไฟหลัก (มีสายไฟฟ้า) และเครื่องมือไฟฟ้าที่ทำงานด้วยพลังงานไฟฟ้าจากแบตเตอรี่ (ไร้สาย)

#### ความปลอดภัยในสถานที่ทำงาน

- ▶ รักษาสถานที่ทำงานให้สะอาดและมีไฟส่องสว่างดี สถานที่ที่มีมืดหรืออวกแคบเข้ามาซึ่งอุบัติเหตุ
- ▶ อย่าใช้เครื่องมือไฟฟ้าทำงานในสภาพบรรยากาศที่จุดติดไฟได้ เช่น ในที่ที่มีของเหลวไวไฟ ก๊าซ หรือฝุ่น เมื่อใช้เครื่องมือไฟฟ้าจะเกิดประกายไฟซึ่งอาจจุดฝุ่นหรือไอให้ลุกเป็นไฟได้
- ▶ ขณะใช้เครื่องมือไฟฟ้าทำงาน ต้องกันเด็กและผู้ยืนดูให้ออกห่าง การหันเหความสนใจอาจทำให้ท่านขาดการควบคุมเครื่องมือ

#### ความปลอดภัยเกี่ยวกับไฟฟ้า

- ▶ ปลั๊กของเครื่องมือไฟฟ้าต้องเหมาะสมพอดีกับเต้าเสียบ อย่าตัดแปลงปลั๊กไม่ว่าในลักษณะใดๆ อย่างเด็ดขาด อย่าใช้ปลั๊กฟ่วงต่อใดๆ กับเครื่องมือไฟฟ้าที่มีสายดิน ปลั๊กที่ไม่ตัดแปลงและเต้าเสียบที่เข้ากันช่วยลดความเสี่ยงจากการถูกไฟฟ้าดูด
- ▶ หลีกเลี่ยงอย่าให้ร่างกายสัมผัสกับพื้นผิวที่ต่อสายดินหรือลงกราวด์ไว้ เช่น ห่อ เครื่องทำความร้อน เต้า และตู้เย็น จะเสี่ยงอันตรายจากการถูกไฟฟ้าดูดมากขึ้นหากกระแสไฟฟ้าวิ่งผ่านร่างกายของท่านลงดิน

- ▶ อย่าให้เครื่องมือไฟฟ้าถูกฝนหรืออยู่ในสภาพเปียกชื้น หากน้ำเข้าไปในเครื่องมือไฟฟ้า จะเพิ่มความเสี่ยงจากการถูกไฟฟ้าดูด
- ▶ อย่าใช้สายไฟฟ้าในทางที่ผิด อย่าใช้สายไฟฟ้าเพื่อยก ดึง หรือถอดปลั๊กเครื่องมือไฟฟ้า กั้นสายไฟฟ้าออกจากความร้อน น้ำมัน ขอบแหลมคม หรือชิ้นส่วนที่เคลื่อนที่ สายไฟฟ้าที่ชำรุดหรือพันกันยุ่งเพิ่มความเสี่ยงจากการถูกไฟฟ้าดูด
- ▶ เมื่อใช้เครื่องมือไฟฟ้าทางานกลางแจ้ง ให้ใช้สายไฟฟ้ที่เหมาะสำหรับการใช้งานกลางแจ้ง การใช้สายไฟฟ้ที่เหมาะสำหรับงานกลางแจ้ง แฉงช่วยลลดอันตรายจากการถูกไฟฟ้าดูด
- ▶ หากไม่สามารถหลีกเลี่ยงการใช้เครื่องมือไฟฟ้าทำงานในสถานที่เปียกชื้นได้ ให้ใช้ส่วที่ตัดวงจรเมื่อเกิดการรั่วไหลของไฟฟ้าจากสายดิน (RCD) การใช้ส่วที่ตัดวงจรเมื่อเกิดการรั่วไหลของไฟฟ้าจากสายดินช่วยลดความเสี่ยงต่อการถูกไฟฟ้าดูด

#### ความปลอดภัยของบุคคล

- ▶ ท่านต้องอยู่ในสภาพเตรียมพร้อม ระมัดระวังในสิ่งทีท่านกำลังทำอยู่ และมีสติขณะใช้เครื่องมือไฟฟ้าทำงาน อย่าใช้เครื่องมือไฟฟ้าขณะที่ท่านกำลังเหนื่อย หรืออยู่ภายใต้การครอบงำของฤทธิ์ของยาเสพติด แอลกอฮอล์ และยา เมื่อใช้เครื่องมือไฟฟ้าทำงานในชั้นานที่ที่ท่านขาดความเอาใจใส่อาจทำให้บุคคลบาดเจ็บอย่างรุนแรงได้
- ▶ ใช้อุปกรณ์ปกป้องร่างกาย สวมแว่นตาป้องกันเสมอ อุปกรณ์ปกป้อง เช่น หน้ากากกันฝุ่น รองเทากันลื่น หมวกแข็ง หรือประภคทุกกั้นเสียงดังที่ไซตามความเหมาะสมกับสภาพการทำงาน จะลดการบาดเจ็บทางร่างกาย
- ▶ ป้องกันการติดเครื่องโดยไม่ตั้งใจ ตรวจสอบให้แน่ใจว่าส่วที่ข้อยู่ในตำแหน่งปิดก่อนเชื่อมต้อเข้ากับแหล่งจ่ายไฟ และ/หรือเบตเตอรีแพค ยกหรือถือเครื่องมือการถือเครื่องโดยใช้นิ้วหัวที่ส่วที่ข้อย หรือเสียบปลั๊กไฟฟ้าขณะส่วที่ข้อยเปิดอยู่ อาจนำไปสู่อุบัติเหตุที่ร้ายแรงได้
- ▶ นำเครื่องมือปรับแต่งหรือประแจปากตายออกก่อนเปิดส่วที่ข้อยเครื่องมือไฟฟ้า เครื่องมือหรือประแจปากตายที่วางอยู่กับส่วของเครื่องที่ก้าลังหมุมจะทำให้บุคคลบาดเจ็บได้
- ▶ อย่าเอื้อมไกลเกินไป ตั้งทำยีนที่มั่นคงและวางน้ำหนักให้สมดุลตลอดเวลา ในลักษณะนี้ท่านสามารถควบคุมเครื่องมือไฟฟ้าในสถานการณ์ที่ไม่คาดคิดได้ดีกว่า
- ▶ แต่งกายอย่างเหมาะสม อย่าใส่เสื้อผ้าหลวมหรือสวมเครื่องประดับ เอาหมและเสื้อผ้าออกจากชิ้นส่วนที่

- เคลื่อนที่ เสื้อผ้าหลวม เครื่องประดับ และหม ยาวอาจเข้าไปติดในชิ้นส่วนที่เคลื่อนที่
- ▶ หากเครื่องมือไฟฟ้ามีข้อยเชื่อมต้อกับเครื่องดูดฝุ่นหรือเครื่องเก็บผง ให้ตรวจสอบให้แน่ใจว่าได้เชื่อมต้อและใช้งานอย่างถูกต้อง การใช้อุปกรณ์ดูดฝุ่นช่วยลลดอันตรายที่เกิดจากฝุ่นได้
- ▶ เมื่อใช้งานเครื่องบ้อยครั้งจะเกิดความคุ้นเคย อย่าให้ความคุ้นเคยทำให้ท่านเกิดความชะล่าใจและละเลยกฎเกณฑ์ด้านความปลอดภัยในการใช้งานเครื่อง การทำงานอย่างไม่ระมัดระวังอาจทำให้เกิดการบาดเจ็บอย่างร้ายแรงภายในเสี้ยววินาที

#### การใช้และการดูแลรักษาเครื่องมือไฟฟ้า

- ▶ อย่าฝืนกำลังเครื่องมือไฟฟ้า ใช้เครื่องมือไฟฟ้าที่ถูกต้องตรงตามลักษณะงานของท่าน เครื่องมือไฟฟ้าที่ถูกต้องจะทำงานได้ดีกว่าและปลอดภัยกว่าในระดับสมรรถภาพที่ออกแบบไว้
- ▶ อย่าใช้เครื่องมือไฟฟ้าถ้าส่วที่ข้อยไม่สามารถเปิดปิดได้ เครื่องมือไฟฟ้าที่ไม่สามารถควบคุมการเปิดปิดด้วยส่วที่ข้อยได้ เป็นเครื่องมือไฟฟ้าที่ไม่ปลอดภัยและต้องส่งซ่อมแซม
- ▶ ก่อนปรับแต่งเครื่อง เปลี่ยนอุปกรณ์ประกอบ หรือเก็บเครื่องเข้าที่ ต้องถอดปลั๊กออกจากแหล่งจ่ายไฟ และ/หรือถอดเบตเตอรีแพคออกจากเครื่องมือไฟฟ้าหากถอดออกได้ มาตรการป้องกันเพื่อความปลอดภัยนี้ช่วยลดความเสี่ยงจากการติดเครื่องโดยไม่ตั้งใจ
- ▶ เมื่อเลิกใช้งานเครื่องมือไฟฟ้า ให้เก็บเครื่องไว้ในที่ที่เด็กหยิบไม่ถึง และไมอนุญาตให้บุคคลที่ไม่คุ้นเคยกับเครื่องหรือบุคคลที่ไม่ได้อ่านคำแนะนำเหล่านี้ใช้เครื่องมือไฟฟ้าเป็นข้อยอันตรายหากตกอยู่ในมือของผู้ใช้ที่ไม่ได้รับการฝึกฝน
- ▶ บำรุงรักษาเครื่องมือไฟฟ้าและอุปกรณ์ประกอบ ตรวจสอบชิ้นส่วนที่เคลื่อนที่ว่าวางไม่ตรงแนวหรือติดขัดหรือไม่ ตรวจสอบการแตกหักของชิ้นส่วนและสภาพอื่นใดที่อาจมีผลต้อการทำงานของเครื่องมือไฟฟ้า หากชำรุดต้องส่งเครื่องมือไฟฟ้าไปซ่อมแซมก่อนใช้งาน อุบัติเหตุหลายอย่างเกิดขึ้นเนื่องจากดูแลรักษาเครื่องไม่ดีพอ
- ▶ รักษาเครื่องมือตัดให้คมและสะอาด หากบำรุงรักษาเครื่องมือที่มีขอบตัดแหลมคมอย่างถูกต้อง จะสามารถตัดได้ลื่นไม่ติดขัดและควบคุมได้ง่ายกว่า
- ▶ ใช้เครื่องมือไฟฟ้า อุปกรณ์ประกอบ เครื่องมือ และอุปกรณ์อื่นๆ ตรงตามคำแนะนำเหล่านี้ โดยคำนึงถึงเงื่อนไขการทำงานและงานที่จะทำ การใช้เครื่อง

มือไฟฟ้าทำงานที่ต่างไปจากวัตถุประสงค์การใช้งานของเครื่อง อาจนำไปสู่สถานการณ์ที่เป็นอันตรายได้

- ▶ **ดูแลคัมจับและพื้นผิวจับให้แห้ง สะอาด และปราศจากคราบน้ำมันและจาระบี** คัมจับและพื้นผิวจับที่ลื่นทำให้หยิบจับได้ไม่ปลอดภัย และไม่สามารถควบคุมเครื่องมือในสถานการณ์ที่ไม่คาดคิด

#### การบริการ

- ▶ **ส่งเครื่องมือไฟฟ้าของท่านเข้ารับบริการจากช่างซ่อมที่มีคุณสมบัติเหมาะสม โดยใช้อะไหล่ที่เหมือนกันเท่านั้น** ในลักษณะนี้ท่านจะแน่ใจได้ว่าเครื่องมือไฟฟ้าอยู่ในสภาพที่ปลอดภัย

#### คำเตือนเพื่อความปลอดภัยสำหรับเลื่อยวงเดือนชนิดตอนการตัด

- ▶ **⚠️ อันตราย: เอามือออกจากใบเลื่อยและบริเวณงานตัด ใข้มืออีกข้างหนึ่งของท่านจับที่คัมจับเพิ่มหรือที่ครอบมอเตอร์** หากมือทั้งสองถือเครื่องเลื่อยอยู่ มือจะไม่ถูกใบเลื่อยตัด
- ▶ **อย่าเอื้อมจับด้านล่างของชิ้นงาน** กระบังป้องกันใบเลื่อยไม่สามารถป้องกันท่านจากใบเลื่อยได้ชิ้นงานได้
- ▶ **ปรับความลึกการตัดให้เหมาะกับความหนาของชิ้นงาน** พันเลื่อยควรไหลยื่นออกมาทางด้านล่างของชิ้นงานน้อยกว่าหนึ่งฟันเต็ม
- ▶ **อย่าถือชิ้นงานไว้ในมือหรือจับพวกไว้บนขาของท่าน** ขณะทำการตัดอย่างเด็ดขาด ให้ยึดชิ้นงานกับแท่นรองที่มั่นคง การรองรับชิ้นงานอย่างถูกต้องเป็นเรื่องสำคัญ ทั้งนี้เพื่อลดการสัมผัสกับร่างกาย การติดขัดของใบเลื่อย หรือการสูญเสียการควบคุม
- ▶ **เมื่อทำงานในบริเวณที่เครื่องมือตัดอาจสัมผัสสายไฟฟ้าที่ซ่อนอยู่หรือสายไฟฟ้าของตัวเอง ต้องจับเครื่องมือไฟฟ้าตรงพื้นผิวจับที่หุ้มฉนวน** การสัมผัสกับสายที่ "มีกระแสไฟฟ้า" ไหลผ่าน จะทำให้ส่วนที่เป็นโลหะของเครื่องมือไฟฟ้าที่ไม่มีฉนวนหุ้มเกิด "มีกระแสไฟฟ้า" ด้วย และส่งผลให้ผู้ใช้เครื่องมือถูกไฟฟ้าดูดได้
- ▶ **เมื่อตัดซอย ให้ใช้รั้วซอย (rip fence) หรือตัวนำขอบตรงเสมอ** ในลักษณะนี้จะทำให้ตัดได้แม่นยำยิ่งขึ้น และลดโอกาสที่ใบเลื่อยจะติดขัด
- ▶ **ใช้ใบเลื่อยที่มีขนาดและรูปทรงของรูแกน (สี่เหลี่ยมขนมเปียกปูนหรือกลม) ที่ถูกต้องเสมอ** ใบเลื่อยที่มีขนาดไม่พอดีกับตัวตัดของเครื่องเลื่อยจะวิ่งเยื้องศูนย์ ทำให้เสียการควบคุม
- ▶ **อย่าใช้แหวนรองหรือโบลท์สำหรับใบเลื่อยที่ชำรุดหรือไม่ถูกต้องอย่างเด็ดขาด** แหวนรองหรือโบลท์สำหรับใบเลื่อยนี้ถูกออกแบบเป็นพิเศษสำหรับเครื่องเลื่อยของท่าน

เพื่อการทำงานอย่างมีประสิทธิภาพและเกิดความปลอดภัยสูงสุด

#### การตีกลับและคำเตือนเกี่ยวข้อง

- การตีกลับคือปฏิกิริยาสะท้อนกลับที่เกิดขึ้นฉับพลันจากใบเลื่อยที่งอ ติดขัด หรือไม่ได้ศูนย์ ทำให้เครื่องเลื่อยที่ควบคุมไม่ได้ยกตัวออกจากชิ้นงาน และเคลื่อนเข้าหาผู้ใช้เครื่อง
- เมื่อใบเลื่อยงอหรือติดขัดแน่นเนื่องจากคลองเลื่อยบิดงอ ใบเลื่อยจะถูกบล็อก และแรงสะท้อนของมอเตอร์จะขับเครื่องกลับเข้าหาผู้ใช้เครื่องอย่างรวดเร็ว
- หากใบเลื่อยเกิดบิดหรือไม่ได้ศูนย์ในร่องตัด พันเลื่อยที่ขอบหลังของใบเลื่อยอาจทิ่มเข้าที่ผิวหนังของมือ ทำให้ใบเลื่อยได้ออกจากคลองเลื่อยและกระโดดกลับมายังผู้ใช้เครื่อง
- การตีกลับเป็นผลจากการใช้เครื่องเลื่อยผิดวัตถุประสงค์ และ/หรือมีสภาพหรือขั้นตอนการทำงานที่ไม่ถูกต้อง และสามารถหลีกเลี่ยงได้โดยเตรียมตัวป้องกันไว้ก่อนอย่างถูกต้องดังต่อไปนี้
- ▶ **ใช้มือทั้งสองจับเครื่องเลื่อยให้แน่น และตั้งท่าแขนของท่านไว้ด้านแรงตีกลับ** ตั้งตำแหน่งร่างกายของท่านให้อยู่ทางด้านข้างของใบเลื่อยด้านใดด้านหนึ่ง แต่อย่าอยู่ในแนวเดียวกับกับใบเลื่อย การตีกลับอาจทำให้เครื่องกระโดดถอยหลัง แต่ผู้ใช้เครื่องสามารถควบคุมแรงตีกลับได้ หากได้เตรียมตัวป้องกันไว้ก่อนอย่างถูกต้อง
- ▶ **เมื่อใบเลื่อยเกิดติดขัด หรือการตัดถูกขัดจังหวะด้วยสาเหตุใดๆ ก็ตาม ให้ปล่อยนิ้วจากสวิตช์ และจับเครื่องเลื่อยให้หนึ่งอยู่ในวัสดุจนกว่าใบเลื่อยจะหยุดสนิท** อย่าพยายามเอาเครื่องเลื่อยออกจากชิ้นงานหรือดึงเครื่องเลื่อยไปข้างหลังขณะใบเลื่อยกำลังหมุนอยู่อย่างเด็ดขาด มิฉะนั้นอาจเกิดการตีกลับได้ ตรวจสอบสาเหตุและดำเนินการแก้ไขเพื่อกำจัดสาเหตุการติดขัดของใบเลื่อย
- ▶ **เมื่อสตาร์ทเครื่องเลื่อยอีกครั้งในชิ้นงาน ให้ตั้งใบเลื่อยไว้ตรงกลางในคลองเลื่อยโดยไม่ให้ฟันเลื่อยขบในวัสดุ** หากใบเลื่อยติดขัด ใบเลื่อยอาจกระโดดหรือตีกลับจากชิ้นงานเมื่อสตาร์ทเครื่องเลื่อยอีกครั้ง
- ▶ **หนุนแผ่นชิ้นงานที่มีขนาดใหญ่เพื่อลดความเสี่ยงที่ใบเลื่อยจะติดขัดและเกิดการตีกลับ** แผ่นชิ้นงานที่มีขนาดใหญ่มักจะห้อยหอนตามความถ่วงน้ำหนักของตัวแผ่นเอง ต้องใช้ที่รองหนุนใต้แผ่นชิ้นงานทั้งสองข้าง คือ โกลเส้นตัดและ โกลขอบแผ่นชิ้นงาน
- ▶ **อย่าใช้ใบเลื่อยที่ทื่อหรือชำรุด** ใบเลื่อยที่ไม่ได้ลับคมหรือปรับตั้งไว้อย่างไม่ถูกต้องจะให้คลองเลื่อยที่แคบ ทำให้เกิดการเสียดสีมากเกินไป ใบเลื่อยเกิดติดขัดและตีกลับ
- ▶ **ก่อนตัด ต้องขันคันทันปรับความลึกใบเลื่อยและคันทันปรับความลาดเอียงของมุมตัดให้แน่น** หากการปรับใบเลื่อย

เคลื่อนที่ขณะทำการตัด อาจทำให้ใบเลื่อยติดขัดและตีกลับได้

- ▶ ใช้ความระมัดระวังเป็นพิเศษเมื่อเลื่อยเข้าไปในผนังที่มีอยู่หรือบริเวณจุดบอดอื่นๆ ใบเลื่อยที่ยื่นออกมาอาจตัดวัตถุที่อาจทำให้เกิดการตีกลับ

#### การทำงานของกระบั้งล่าง

- ▶ ตรวจสอบกระบั้งล่างให้ปิดอย่างถูกต้องก่อนใช้งานทุกครั้ง อย่าใช้เครื่องเลื่อยหากกระบั้งล่างเคลื่อนไหวไปมาอย่างอิสระ ไม่ได้และไม่ได้ในทันที อย่าหนีบหรือผูกกระบั้งล่างให้อยู่ในตำแหน่งเปิดหากเครื่องเลื่อยตกหล่นโดยบังเอิญ กระบั้งล่างอาจโค้งงอ เปิดกระบั้งล่างด้วยคันจับที่ซักรันได้ และดูให้แน่ใจว่ากระบั้งล่างเคลื่อนไหวไปมาได้อย่างอิสระ และไม่แตะใบเลื่อยหรือส่วนอื่นใดในมุมตัดและความลึกการตัดทั้งหมด
- ▶ ตรวจสอบการทำงานของสปริงของกระบั้งล่าง หากกระบั้งและสปริงทำงานไม่ถูกต้อง ต้องนำไปซ่อมบำรุงก่อนใช้งาน กระบั้งล่างอาจทำงานเฉื่อยเนื่องจากชิ้นส่วนชำรุด ชักบดถูกพัดมาของติดเหนียว หรือของสะสมกัน
- ▶ อาจใช้มือซักรันกระบั้งล่างเฉพาะเมื่อต้องการตัดแบบพิเศษเท่านั้น เช่น "การจ้วงตัด" และ "การตัดแบบผสม" เปิดกระบั้งล่างด้วยคันจับที่ซักรันได้ และต้องปล่อยกระบั้งล่างในทันทีที่ใบเลื่อยขบเข้าไปในวัสดุสำหรับการเลื่อยแบบอื่นทั้งหมด กระบั้งล่างควรต้องทำงานโดยอัตโนมัติ
- ▶ ตรวจสอบให้กระบั้งล่างครอบใบเลื่อยทุกครั้งก่อนวางเครื่องเลื่อยลงบนโต๊ะทำงานหรือบนพื้นใบเลื่อยที่ไม่ถูกปกป้องและยังคงวิ่งต่อจะทำให้เครื่องเลื่อยเดินถอยหลัง ตัดสิ่งใดก็ตามที่ขวางทาง ฟังคำแจ้งเตือนระยะเวลาที่ใบเลื่อยจะหยุดหลังจากปิดสวิตช์แล้ว

#### คำแนะนำเพื่อความปลอดภัยเพิ่มเติม

- ▶ อย่ายื่นมือเข้าไปในช่องฟันซึบออก ท่านอาจได้รับบาดเจ็บจากชิ้นส่วนที่หมุนอยู่
- ▶ อย่าใช้เครื่องเลื่อยทำงานเหนือศีรษะ ในลักษณะนี้ท่านจะไม่สามารถควบคุมเครื่องมือไฟฟ้าได้อย่างเพียงพอ
- ▶ ใช้เครื่องตรวจจับที่เหมาะสมเพื่อตรวจสอบสายไฟฟ้าหรือท่อสาธารณูปโภคที่อาจซ่อนอยู่ในบริเวณทำงานหรือติดตั้งบริษัทสาธารณูปโภคในพื้นที่เพื่อขอความช่วยเหลือ การสัมผัสสายไฟฟ้ามักทำให้เกิดไฟไหม้หรือถูกไฟฟ้าดูด การทำให้ท่อแก๊สเสียหายอาจทำให้เกิดระเบิด การเจาะเข้าไปในท่อน้ำทำให้ทรัพย์สินเสียหาย หรืออาจเป็นเหตุให้ถูกไฟฟ้าดูดได้
- ▶ จับเครื่องมือไฟฟ้าให้แน่นด้วยมือทั้งสองข้างและตั้งหาขึ้นให้มั่นคงขณะทำงาน ท่านจะสามารถนำทางเครื่องมือไฟฟ้าได้ปลอดภัยกว่าเมื่อจับเครื่องด้วยมือทั้งสองข้าง

- ▶ อย่าใช้เครื่องมือไฟฟ้าโดยตรงเครื่องอยู่กับที่ เครื่องไม่ได้ออกแบบไว้สำหรับใช้กับโต๊ะเลื่อย
- ▶ ตรวจสอบให้แน่ใจว่าเพลตนำของเครื่องเลื่อยจะไม่เคลื่อนไปด้านข้างในขณะที่ทำ "การจ้วงตัด" ที่ไม่ได้ทำในเชิงตั้งฉาก การเคลื่อนไปด้านข้างอาจทำให้ใบเลื่อยติดขัดและเกิดการตีกลับได้
- ▶ ยึดชิ้นงานให้แน่น การยึดชิ้นงานด้วยเครื่องหนีบหรือแท่นจับจะมั่นคงกว่าการยึดด้วยมือ
- ▶ รอให้เครื่องมือไฟฟ้าหยุดสนิทก่อนวางเครื่องลงบนพื้น เครื่องมือที่ปล่อยอาจติดขัดและทำให้สูญเสียการควบคุมเครื่องมือไฟฟ้า
- ▶ อย่าใช้ใบเลื่อยที่ทำจากเหล็กกล้าความเร็วสูง (High Speed Steel, HSS) ใบเลื่อยนี้แตกง่าย
- ▶ อย่าเลื่อยโลหะจำพวกเหล็ก เศษที่เลื่อยร่อนสีแดงสามารถจุดระบบดูดฝุ่นให้ลุกไหม้ได้
- ▶ สวมหน้ากากป้องกันฝุ่น

## รายละเอียดผลิตภัณฑ์และข้อมูล

### จำเพาะ



อ่านคำเตือนเพื่อความปลอดภัยและคำแนะนำทั้งหมด การไม่ปฏิบัติตามคำเตือนและคำสั่งอาจเป็นสาเหตุให้ถูกไฟฟ้าดูด เกิดไฟไหม้ และ/หรือได้รับบาดเจ็บอย่างร้ายแรง

กรุณาดูภาพประกอบในส่วนหน้าของคู่มือการใช้งาน

### ประโยชน์การใช้งานของเครื่อง

เครื่องมือไฟฟ้านี้ใช้สำหรับตัดไม้ตามยาวและตามขวางโดยตัดเป็นเส้นตรง รวมทั้งตัดเป็นมุมเฉียงได้ขณะวางอย่างมั่นคงบนชิ้นงาน ห้ามใช้เลื่อยโลหะกลุ่มเหล็ก

### ส่วนประกอบที่แสดงภาพ

ลำดับเลขของส่วนประกอบผลิตภัณฑ์อ้างอิงถึงส่วนประกอบของเครื่องที่แสดงในหน้าภาพประกอบ

- (1) กระบั้งป้องกันใบเลื่อย
- (2) ปุ่มล๊อคให้สวิตช์เปิด-ปิดทำงาน (3 601 EA2 OK./3 601 EA2 OL./3 601 EA2 OF.)
- (2) ปุ่มล๊อคไม่ให้สวิตช์เปิด-ปิดทำงาน (3 601 EA2 08./3 601 EA2 0B./3 601 EA2 04./3 601 EA2 00./3 601 EA2 07.)
- (3) สวิตช์เปิด-ปิด

- |                                                      |                                                                  |
|------------------------------------------------------|------------------------------------------------------------------|
| (4) ด้ามจับเพิ่ม                                     | (18) โบลท์ยึดพร้อมแหวนรอง                                        |
| (5) นุ่มล็อคแกน                                      | (19) น็อตยึด                                                     |
| (6) มาตราส่วนมุมเอียง                                | (20) ไบเลื่อย <sup>a)</sup>                                      |
| (7) น็อตปิกสำหรับการเลือกมุมเอียงล่วงหน้า            | (21) น็อตตรง                                                     |
| (8) น็อตปิกสำหรับแผงกำหนดแนวขนาน                     | (22) แกนเครื่อง                                                  |
| (9) เครื่องหมายตัด 45°                               | (23) สกรูยึดสำหรับข้อต่อท่อดูดออก <sup>a)</sup>                  |
| (10) เครื่องหมายตัด 0°                               | (24) ข้อต่อท่อดูดออก <sup>a)</sup>                               |
| (11) แผงกำหนดแนวขนาน                                 | (25) คันหนีบสำหรับเลือกความลึกการตัดล่วงหน้า                     |
| (12) กระบังป้องกันไบเลื่อยชนิดชักกรันได้             | (26) มาตราส่วนความลึกการตัด                                      |
| (13) คันจับสำหรับกระบังป้องกันไบเลื่อยชนิดชักกรันได้ | (27) ชุดแคลมป์ยึดวัสดุ <sup>a)</sup>                             |
| (14) แผ่นฐาน                                         | (28) ด้ามจับ (พื้นผิวจับหุ้มฉนวน)                                |
| (15) น็อตปิกสำหรับการเลือกมุมเอียงล่วงหน้า           | a) อุปกรณ์ประกอบที่แสดงภาพหรืออธิบายไม่รวมอยู่ในการจัดส่งมาตรฐาน |
| (16) ช่องพ่นซีกบออก                                  | กรุณาดูอุปกรณ์ประกอบทั้งหมดในรายการแสดงอุปกรณ์ประกอบของเรา       |
| (17) ประแจขันหกเหลี่ยม                               |                                                                  |

### ข้อมูลทางเทคนิค

เลือยวงเดือน		GKS 235 Turbo	GKS 235 Turbo	GKS 9
หมายเลขสินค้า		3 601 EA2 0..	3 601 EA2 0B.	3 601 EA2 00. 3 601 EA2 07.
กำลังไฟฟ้าที่ติดตั้งเข้า	วัตต์	2050	2050	2050
ความเร็วรอบเดินตัวเปล่า	นาที <sup>-1</sup>	5300	5300	5300
ความเร็วรอบขณะใช้งาน สูงสุด	นาที <sup>-1</sup>	3500	3500	3500
ความลึกการตัด สูงสุด				
- สำหรับมุมเอียง 0°	มม.	85	85	85
- สำหรับมุมเอียง 45°	มม.	65	65	65
ล็อคแกน		●	●	●
ขนาดแผ่นฐาน	มม.	383 x 170	383 x 170	383 x 170
เส้นผ่าศูนย์กลางไบเลื่อย สูงสุด	มม.	235	235	235
เส้นผ่าศูนย์กลางไบเลื่อย ต่ำสุด	มม.	230	230	230
ความหนาไบเลื่อย สูงสุด	มม.	2.2	2.2	2.2
ความหนาฟันเลื่อย/ตรงที่แต่งฟันเลื่อย สูงสุด	มม.	3.2	3.2	3.2
ความหนาฟันเลื่อย/ตรงที่แต่งฟันเลื่อย ต่ำสุด	มม.	2.0	2.0	2.0
รูติดตั้ง	มม.	25	25.4	30
น้ำหนักตามระเบียบการ EPTA-Procedure 01:2014	กก.	7.6	7.6	7.6
ระดับความปลอดภัย		☐/	☐/	☐/

ค่าที่ให้มีไว้ได้กับแรงดันไฟฟ้าอิมมอล [U] 230 โวลต์ค่าเหล่านี้อาจเปลี่ยนแปลงไปสำหรับแรงดันไฟฟ้าที่แตกต่างกัน และโมเดลที่ผลิตสำหรับเฉพาะประเทศ

เครื่องเป็นไปตามข้อกำหนด IEC 61000-3-11 และขึ้นอยู่กับวิธีการเชื่อมต่อแบบมีเงื่อนไข เครื่องอาจนำไปสู่ความผันผวนของแรงดันไฟฟ้าเป็นครั้งคราวภายใต้สภาวะพลังงานที่ไม่เอื้ออำนวย อิมพีแดนซ์ของอุปกรณ์นี้ถูกตั้งค่าเป็น  $Z_{\text{actual}} = 0.14 \Omega$  ผู้ใช้ต้องแน่ใจว่า จุดเชื่อมต่อที่มีอิมพีแดนซ์  $Z_{\text{max}}$  ซึ่งเทียบปลั๊กเครื่องใช้ไฟฟ้านั้นตรงตามข้อกำหนดอิมพีแดนซ์:  $Z_{\text{actual}} \geq Z_{\text{max}}$  หากไม่ทราบ  $Z_{\text{max}}$  ให้ระบุ  $Z_{\text{max}}$  โดยปรึกษากับผู้จัดจำหน่ายเครื่องขายหรือผู้มีอำนาจในการจัดหา

## การติดตั้ง

- ▶ ใช้เฉพาะใบเลื่อยที่มีความเร็วสูงสุดที่อนุญาตสูงกว่าความเร็วรอบตัวเปล่าของเครื่องมือไฟฟ้า

### การใส่/การเปลี่ยนใบเลื่อย

- ▶ ดึงปลั๊กไฟออกจากเต้าเสียบก่อนปรับแต่งเครื่อง
- ▶ สวมถุงมือป้องกันอันตรายเมื่อติดตั้งใบเลื่อย การสัมผัสกับใบเลื่อยจะทำให้บาดเจ็บได้
- ▶ อย่านำจานขัดมาใช้เป็นเครื่องมืออย่างเด็ดขาด
- ▶ ใช้เฉพาะ ใบเลื่อยที่ตรงตามข้อกำหนดที่ระบุไว้ในคู่มือการใช้งานนี้และบนเครื่องมือไฟฟ้าเท่านั้น

### การเลือกใบเลื่อย

กรุณาศึกษาพรอมของใบเลื่อยที่แนะนำในตอนท้ายของคู่มือการใช้งาน

### การถอดใบเลื่อย (ดูภาพประกอบ A)

- เมื่อต้องการเปลี่ยนเครื่องมือตัด ทางที่ดีที่สุด ควรวางเครื่องโดยกลับเอาด้านหัวของที่ครอบมอเตอร์ลง
- กดปุ่มล็อกแกน (5) และกดค้ำไว้
  - ▶ กดปุ่มล็อกแกน (5) เมื่อใบเลื่อยหยุดนิ่งอยู่กับที่แล้วเท่านั้น มิฉะนั้นเครื่องอาจชำรุดได้
  - ใช้ประแจขันหกเหลี่ยม (17) ชันโบลท์ยึด (18) ออกโดยหมุนไปในทิศทางหมุน ⚙
  - กระจกกระบังป้องกันใบเลื่อยชนิดซักรันด์ (12) ไปด้วยหลังและจับไว้ให้แน่น
  - ถอดน็อตยึด (19) และใบเลื่อย (20) ออกจากแกนเครื่อง (22)

### การติดตั้งใบเลื่อย (ดูภาพประกอบ A)

- เมื่อต้องการเปลี่ยนเครื่องมือตัด ทางที่ดีที่สุด ควรวางเครื่องโดยกลับเอาด้านหัวของที่ครอบมอเตอร์ลง
- ทำความสะอาดใบเลื่อย (20) และชิ้นส่วนยึดหนีบที่จะติดตั้งทั้งหมด
  - กระจกกระบังป้องกันใบเลื่อยชนิดซักรันด์ (12) ไปด้วยหลังและจับไว้ให้แน่น
  - ประกอบใบเลื่อย (20) เข้ากับน็อตรอง (21) ทิศทางตัดของฟัน (ทิศทางลูกศรบนใบเลื่อย) และทิศทางหมุนของ

ลูกศรที่แสดงบนกระบังป้องกันใบเลื่อย (1) ต้องชี้ไปทางเดียวกัน

- ประกอบน็อตยึด (19) และชันโบลท์ยึด (18) เข้าโดยหมุนไปในทิศทางหมุน ⚙ ตรวจสอบให้แน่ใจว่าน็อตรอง (21) และน็อตยึด (19) อยู่ในตำแหน่งประกอบที่ถูกต้อง
- กดปุ่มล็อกแกน (5) และกดค้ำไว้
- ใช้ประแจขันหกเหลี่ยม (17) ชันโบลท์ยึด (18) เข้าให้แน่นโดยหมุนไปในทิศทางหมุน ⚙ แรงบิดการขันควรวูอยู่ระหว่าง 10-12 นิวตันเมตร ซึ่งมีค่าเท่ากับขันด้วยมือจนตึงบวก ¼ รอบ

### การดูดฝุ่น/ซีเลียม

ฝุ่นที่ได้จากวัสดุ เช่น เคลือบผิวที่มีสารตะกั่ว ไม้ยางประเภทเรซินา และโลหะ อาจเป็นอันตรายต่อสุขภาพ การสัมผัสหรือการหายใจเอาฝุ่นเข้าไปอาจทำให้เกิดปฏิกิริยาแพ้ฝุ่น และ/หรือนำมาซึ่งโรคติดเชื้อระบบหายใจแก่ผู้ใช้เครื่องหรือผู้ที่ยืนอยู่ใกล้เคียง

- ฝุ่นบางประเภท เช่น ฝุ่นไม้โอ๊ก หรือไม้บีช นับเป็นสารที่ทำให้เกิดมะเร็ง โดยเฉพาะอย่างยิ่งเมื่อผสมกับสารเติมแต่งเพื่อบำบัดไม้ (โครเมต ผลิตภัณฑ์รักษาเนื้อไม้) สำหรับวัสดุที่มีแอลสเททอลต้องให้ผู้เชี่ยวชาญทำงานเท่านั้น
- ใช้ระบบดูดฝุ่นออกที่เหมาะสมกับประเภทวัสดุ มากเท่าที่จะทำได้
  - จัดสถานที่ทำงานให้มีการระบายอากาศที่ดี
  - ขอแนะนำให้สวมหน้ากากป้องกันการติดเชื้อที่มีระดับ-ใส่กรอง P2

ปฏิบัติตามกฎข้อบังคับสำคัญอื่นๆ ที่เกี่ยวข้องกับวัสดุชิ้นงานที่บังคับใช้ในประเทศของท่าน

- ▶ ป้องกันการสะสมของฝุ่นในสถานที่ทำงาน ฝุ่นสามารถถูกโจมตีอย่างง่ายดาย

### การติดตั้งข้อต่อท่อดูดออก (ดูภาพประกอบ B)

เสียบข้อต่อท่อดูดออก (24) เข้าบนช่องฟันซี่กับออก (16) จนเข้าล็อก ให้ยึดข้อต่อท่อดูดออก (24) ด้วยสกรูยึด (23) อีกที

ท่อดูดฝุ่นขนาดเส้นผ่าศูนย์กลาง 35 มม. สามารถต่อเข้ากับข้อต่อท่อดูดออก (24)



► **อย่าติดตั้งข้อต่อท่อออกหากไม่มีการต่อเข้ากับเครื่องดูดฝุ่นภายนอก** มิฉะนั้นช่องดูดอากาศอาจอุดตันได้

► **อย่าสวมถุงเก็บผงเข้ากับข้อต่อท่อดูดออก** มิฉะนั้นระบบดูดอากาศอาจอุดตันได้

เพื่อให้ดูดผงออกได้อย่างมีประสิทธิภาพมากที่สุด ต้องทำความสะอาดข้อต่อท่อดูดออก (24) เป็นประจำ

#### การดูดฝุ่นด้วยเครื่องดูดฝุ่นภายนอก

เครื่องนี้สามารถต่อโดยตรงเข้ากับเต้าเสียบของเครื่องดูดฝุ่นสารพัดประโยชน์ของ บอช ที่มีการควบคุมการสแตร์ที่เครื่องทางไกล เครื่องดูดฝุ่นจะเริ่มทำงานโดยอัตโนมัติเมื่อเปิดเครื่อง

เครื่องดูดฝุ่นต้องเหมาะสำหรับใช้ดูดวัสดุที่จะทำงาน

ในการมีดูดฝุ่นแห้งที่เป็นอันตรายต่อสุขภาพอย่างยิ่งหรืออาจก่อให้เกิดมะเร็งได้ ให้ใช้เครื่องดูดฝุ่นพิเศษ

ในประเทศเยอรมนี ต้องใช้อุปกรณ์ดูดฝุ่นที่ผ่านการทดสอบตามกฎระเบียบทางเทคนิคสำหรับวัตถุอันตราย TRGS 553 เพื่อดูดฝุ่นจากไม้ ต้องไม่ใช้การดูดฝุ่นในตัวในภาคธุรกิจสำหรับวัตถุอื่นๆ ผู้ประกอบการเชิงพาณิชย์ต้องชี้แจงข้อกำหนดเฉพาะกับสมาคมวิชาชีพที่รับผิดชอบ

## การปฏิบัติงาน

► **ดึงปลั๊กไฟออกจากเต้าเสียบก่อนปรับแต่งเครื่อง**

### รูปแบบการทำงาน

#### การปรับความลึกการตัด (ดูภาพประกอบ C)

► **ปรับความลึกการตัดให้เหมาะกับความหนาของชิ้นงาน** พันเลื่อยควรไหลยื่นออกมาทางด้านล่างของชิ้นงานน้อยกว่าหนึ่งฟันเต็ม

คลายคันหนีม (25) ออก สำหรับความลึกการตัดน้อย ให้ตั้งเครื่องเลื่อยออกจากแผ่นฐาน (14) สำหรับความลึกการตัดมาก ให้ดันเครื่องเลื่อยเข้าหาแผ่นฐาน (14) ปรับความลึกการตัดที่ต้องการที่มาตรส่วนความลึกการตัด ชิ้นคันหนีม (25) กลับเข้าที่แน่น

แรงขันตึงของคันหนีม (25) สามารถปรับเข้าได้ เมื่อต้องการปรับเข้า ให้ขันคันหนีม (25) ออกและขันกลับเข้าอีกครั้งโดยหมุนเอียงอย่างน้อย 30° ในทิศทวนเข็มนาฬิกา

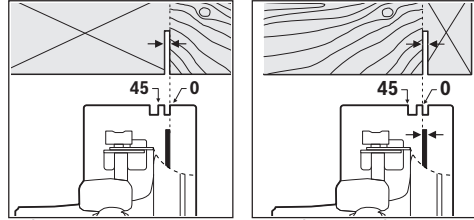
#### การปรับมุมตัด

ทางที่ดีที่สุดควรวางเครื่องมือไฟฟ้าโดยจับด้านหน้าของกระบังป้องกันใบเลื่อย (1) ลง

คลายนอตปีก (7) และ (15) ออกเอียงเครื่องเลื่อยไปทางด้านข้าง ปรับขนาดที่ต้องการที่มาตรส่วน (6) ขันนอตปีก (7) และ (15) กลับเข้าที่แน่น

**หมายเหตุ:** สำหรับการตัดมุมเอียง จะได้ความลึกการตัดน้อยกว่าค่าที่แสดงบนมาตราส่วนความลึกการตัด (26)

#### เครื่องหมายตัด



เครื่องหมายตัด 0° (10) แสดงตำแหน่งของใบเลื่อยสำหรับการตัดเป็นมุมฉาก เครื่องหมายตัด 45° (9) แสดงตำแหน่งของใบเลื่อยสำหรับการตัด 45°

เพื่อให้ได้การตัดที่แม่นยำ ให้จับเลื่อยวงเดือนเข้าหาชิ้นงานดังแสดงในภาพ ทางที่ดีที่สุดควรฝึกซ้อมการตัดก่อน

#### การเริ่มต้นปฏิบัติงาน

► **ให้สังเกตแรงดันไฟฟ้า! แรงดันไฟฟ้าจากแหล่งจ่ายไฟฟ้าต้องมีค่าตรงกับค่าแรงดันไฟฟ้าที่ระบุไว้บนแผ่นป้ายติดเครื่อง เครื่องมือไฟฟ้าที่มีเครื่องหมาย 230 โวลต์ สามารถใช้งานกับ 220 โวลต์ ได้ด้วย**

#### การเปิด-ปิดเครื่อง

► **ตรวจสอบให้แน่ใจว่าท่านสามารถใช้งานสวิทช์เปิด-ปิดได้โดยไม่ต้องปล่อยตามจับ**

**3 601 EA2 0K./3 601 EA2 0L./3 601 EA2 0F.:** เมื่อต้องการสแตร์เครื่องมือไฟฟ้า ให้กดสวิทช์เปิด-ปิด (3) และกดค้างไว้

เมื่อต้องการล๊อคสวิทช์เปิด-ปิด (3) ที่กดค้างไว้ ให้กดปุ่มล๊อคให้สวิทช์เปิด-ปิดทำงาน (2)

เมื่อต้องการปิดสวิทช์เครื่องมือไฟฟ้า ให้ปล่อยนิ้วจากสวิทช์เปิด-ปิด (3) หรือในกรณีที่ถูกล๊อคด้วยปุ่มล๊อค (2) ให้กดสวิทช์เปิด-ปิด (3) สั้นๆ และปล่อยนิ้ว

**3 601 EA2 08./3 601 EA2 0B./3 601 EA2 04./3 601 EA2 00./3 601 EA2 07.:**

เมื่อต้องการสแตร์เครื่องมือไฟฟ้า ในขั้นแรกให้กดปุ่มล๊อคไม่ให้สวิทช์เปิด-ปิดทำงาน (2) และจากนั้นจึงกดสวิทช์เปิด-ปิด (3)

**ปิดสวิทช์** เครื่องมือไฟฟ้าโดยปล่อยนิ้วจากสวิทช์เปิด-ปิด (3)

**หมายเหตุ:** ด้วยเหตุผลด้านความปลอดภัย จึงไม่สามารถล๊อคสวิทช์เปิด-ปิด (3) ได้ จะต้องกดสวิทช์เปิด-ปิดตลอดเวลาปฏิบัติงาน

## ข้อแนะนำในการทำงาน

### ▶ ดึงปลั๊กไฟออกจากเต้าเสียบก่อนปรับแต่งเครื่อง

ความกว้างการตัดจะแตกต่างกันไปตามใบเลื่อยที่ใช้ ต้องป้องกันใบเลื่อยไม่ให้ถูกกระทบกระแทก เคลื่อนเครื่องอย่างสม่ำเสมอและอ่อนเบาๆ ไปในทิศทางตัด การเคลื่อนเครื่องไปข้างหน้าเกินกำลังจะบันทึกอายุการใช้งานของเครื่องมือตัดและอาจทำให้เครื่องมือไฟฟ้าชำรุดได้ ประสิทธิภาพการเลื่อยและคุณภาพการตัดขึ้นอยู่กับสภาพและลักษณะพื้นของใบเลื่อยเป็นหลัก ดังนั้นให้ใช้เฉพาะใบเลื่อยที่คมและเหมาะกับประเภทวัสดุชิ้นงานเท่านั้น

### การเลื่อยไม้

หลักการเลือกใบเลื่อยที่ถูกต้อง คือต้องเลือกตามประเภทของไม้ คุณภาพของไม้ และต้องดูว่าต้องการตัดตามยาวหรือตามขวาง เมื่อตัดไม้จำพวกสนตามแนวยาว จะได้เศษไม้ขาดเป็นวงยาว ฝุ่นไม่เด้ง และไม่มีขี้ เป็นอันตรายต่อสุขภาพอย่างยิ่ง ดังนั้นเมื่อทำงานต้องดูดฝุ่นออกเสมอ

### การเลื่อยโดยใช้แฉกกำหนดแนวขนาน (คุณภาพประกอบ D)

แฉกกำหนดแนวขนาน (11) ทำให้สามารถตัดเรียบขอบชิ้นงาน และตัดขึ้นที่ขนานในขนาดเท่าๆ กันได้อย่างเที่ยงตรง คลายน็อตปิ๊ก (8) และเลื่อนมาตราส่วนของแฉกกำหนดแนวขนาน (11) ผ่านตัวนำโน้ตฐาน (14) ตั้งความกว้างการตัดที่ต้องการเป็นค่ามาตราส่วนไว้ที่เครื่องหมายตัด (10) หรือ (9) ที่เกี่ยวข้อง ดูบท "เครื่องหมายตัด" ขันน็อตปิ๊ก (8) กลับเข้าที่เดิม

### การเลื่อยโดยใช้แฉกช่วยนำทาง (คุณภาพประกอบ E)

สำหรับการตัดชิ้นงานขนาดใหญ่หรือตัดขอบตรง ให้หนีบแผ่นกระดานหรือท่อนไม้ยาวเข้ากับชิ้นงานเพื่อใช้เป็นแฉกช่วยนำทาง ท่านสามารถเคลื่อนแผ่นฐานของเลื่อยวงเดือนเลื่อยไปตามแฉกช่วยนำทาง

## การบำรุงรักษาและการบริการ

### การบำรุงรักษาและการทำความสะอาด

#### ▶ ดึงปลั๊กไฟออกจากเต้าเสียบก่อนปรับแต่งเครื่อง

#### ▶ เพื่อให้ทำงานได้อย่างถูกต้องและปลอดภัย ต้องรักษาเครื่องและช่องระบายอากาศ ให้สะอาดอยู่เสมอ

หากจำเป็นต้องเปลี่ยนสายไฟฟ้า ต้องส่งเครื่องให้ Bosch หรือศูนย์บริการหลังการขายที่ได้รับมอบหมายสำหรับเครื่องมือไฟฟ้า Bosch เปลี่ยนให้ ทั้งนี้เพื่อหลีกเลี่ยงอันตราย

กระบังป้องกันใบเลื่อยชนิดชักกรันได้ต้องเคลื่อนไหวไปมาได้อย่างอิสระและปิดได้โดยอัตโนมัติตลอดเวลา ดังนั้นต้องรักษาบริเวณรอบๆ กระบังป้องกันใบเลื่อยชนิดชักกรันได้ให้สะอาดอยู่เสมอ เอาฝุ่นและเศษผงออกโดยใช้แปรงขัดใบเลื่อยที่ไม่ได้เคลือบสามารถใช้น้ำมันที่ไม่มีกรดทาบางๆ เพื่อป้องกันสนิม ต้องเช็ดน้ำมันออกก่อนใช้ใบเลื่อย มิฉะนั้นน้ำมันจะแข็งตัวไม่ทำให้สกรปรกติ เศษเหลือของยางไม้และกาวบนใบเลื่อยทำให้ตัดได้ไม่ดี ดังนั้นให้ทำความสะอาดใบเลื่อยทันทีหลังใช้งาน

### การบริการหลังการขายและการให้คำปรึกษาการใช้งาน

ศูนย์บริการหลังการขายของเรายินดีตอบคำถามของท่านที่เกี่ยวกับการบำรุงรักษาและการซ่อมแซมผลิตภัณฑ์รวมทั้งเรื่องอะไหล่ ภาพเขียนแบบการประกอบและข้อมูลเกี่ยวกับอะไหล่ กรุณาดูใน: [www.bosch-pt.com](http://www.bosch-pt.com) ที่มิงงานที่ปรึกษาของ บอช ยินดีให้ข้อมูลเกี่ยวกับผลิตภัณฑ์ของเราและอุปกรณ์ประกอบต่างๆ เมื่อต้องการสอบถามและสั่งซื้ออะไหล่ กรุณาแจ้งหมายเลขสินค้า 10 หลักบนแผ่นป้ายรุ่นของผลิตภัณฑ์ทุกครั้ง

### ไทย

ไทย บริษัท โรเบิร์ต บอช จำกัด  
เอพวยไอ เซ็นเตอร์ อาคาร 1 ชั้น 5  
เลขที่ 2525 ถนนพระราม 4  
แขวงคลองเตย เขตคลองเตย กรุงเทพฯ 10110  
โทร: +66 2012 8888  
แฟกซ์: +66 2064 5800  
[www.bosch.co.th](http://www.bosch.co.th)  
ศูนย์บริการซ่อมและฝึกอบรม บอช  
อาคาร ลานชาลาทาวเวอร์ ชั้น G ห้องเลขที่ 2  
บ้านเลขที่ 10/11 หมู่ 16  
ถนนศรีนครินทร์ ตำบลบางแก้ว อำเภอบางพลี  
จังหวัดสมุทรปราการ 10540  
ประเทศไทย  
โทรศัพท์ 02 7587555  
โทรสาร 02 7587525

สามารถดูที่อยู่ศูนย์บริการอื่นๆ ได้ที่:

[www.bosch-pt.com/serviceaddresses](http://www.bosch-pt.com/serviceaddresses)

### การกำจัดขยะ

เครื่องมือไฟฟ้า อุปกรณ์ประกอบ และสีหม้อ ต้องนำไปแยกประเภทวัสดุเพื่อการรีไซเคิลที่เป็นมิตรต่อสิ่งแวดล้อม



อย่าทิ้งเครื่องมือไฟฟ้าลงในขยะบ้าน!

## Bahasa Indonesia

### Petunjuk Keselamatan

#### Petunjuk keselamatan umum untuk perkakas listrik

**⚠ PERINGATAN** Baca semua peringatan, petunjuk, ilustrasi, dan spesifikasi keselamatan yang diberikan bersama perkakas listrik ini. Kesalahan dalam menjalankan petunjuk di bawah ini dapat mengakibatkan sengatan listrik, kebakaran, dan/atau cedera serius.

**Simpanlah semua peringatan dan petunjuk untuk penggunaan di masa mendatang.**

Istilah "perkakas listrik" dalam peringatan mengacu pada perkakas listrik yang dioperasikan dengan listrik (menggunakan kabel) atau perkakas listrik yang dioperasikan dengan baterai (tanpa kabel).

#### Keamanan tempat kerja

- ▶ **Jaga kebersihan dan pencahayaan area kerja.** Area yang berantakan atau gelap dapat memicu kecelakaan.
- ▶ **Jangan mengoperasikan perkakas listrik di lingkungan yang dapat memicu ledakan, seperti adanya cairan, gas, atau debu yang mudah terbakar.** Perkakas listrik dapat memancarkan bunga api yang kemudian mengakibatkan debu atau uap terbakar.
- ▶ **Jauhkan dari jangkauan anak-anak dan pengamat saat mengoperasikan perkakas listrik.** Gangguan dapat menyebabkan hilangnya kendali.

#### Keamanan listrik

- ▶ **Steker perkakas listrik harus sesuai dengan stopkontak. Jangan pernah memodifikasi steker. Jangan menggunakan steker adaptor bersama dengan perkakas listrik yang terhubung dengan sistem grounding.** Steker yang tidak dimodifikasi dan stopkontak yang cocok akan mengurangi risiko sengatan listrik.
- ▶ **Hindari kontak badan dengan permukaan yang terhubung dengan sistem grounding, seperti pipa, radiator, kompor, dan lemari es.** Terdapat peningkatan risiko terjadinya sengatan listrik jika badan Anda terhubung dengan sistem grounding.
- ▶ **Perkakas listrik tidak boleh terpapar hujan atau basah.** Air yang masuk ke dalam perkakas listrik menambah risiko terjadinya sengatan listrik.
- ▶ **Jangan menyalahgunakan kabel. Jangan gunakan kabel untuk membawa, menarik, atau melepas steker**

**perkakas listrik. Jauhkan kabel dari panas, minyak, tepi yang tajam, atau komponen yang bergerak.** Kabel listrik yang rusak atau tersangkut menambah risiko terjadinya sengatan listrik.

- ▶ **Saat mengoperasikan perkakas listrik di luar ruangan, gunakan kabel ekstensi yang sesuai untuk penggunaan di luar ruangan.** Penggunaan kabel yang cocok untuk pemakaian di luar ruangan mengurangi risiko terjadinya sengatan listrik.
- ▶ **Jika perkakas listrik memang harus dioperasikan di tempat yang lembap, gunakan pemutus arus listrik residu (RCD).** Penggunaan RCD akan mengurangi risiko terjadinya sengatan listrik.

#### Keselamatan personel

- ▶ **Tetap waspada, perhatikan aktivitas yang sedang dikerjakan dan gunakan akal sehat saat mengoperasikan perkakas listrik. Jangan gunakan perkakas listrik saat mengalami kelelahan atau di bawah pengaruh narkoba, alkohol, atau obat-obatan.** Jika perkakas listrik dioperasikan dengan daya konsentrasi yang rendah, hal tersebut dapat menyebabkan cedera serius.
- ▶ **Gunakan peralatan pelindung diri. Selalu kenakan pelindung mata.** Penggunaan perlengkapan pelindung seperti penutup telinga, helm, sepatu anti licin, dan masker debu akan mengurangi cedera.
- ▶ **Hindari start yang tidak disengaja. Pastikan switch berada di posisi off sebelum perkakas listrik dihubungkan ke sumber daya listrik dan/atau baterai, diangkat, atau dibawa.** Membawa perkakas listrik dengan jari menempel pada tombol atau perkakas listrik dalam keadaan hidup dapat memicu kecelakaan.
- ▶ **Singkirkan kunci penyetel atau kunci pas sebelum menghidupkan perkakas listrik.** Perkakas atau kunci pas yang masih menempel pada komponen perkakas listrik yang berputar dapat menyebabkan cedera.
- ▶ **Jangan melampaui batas. Berdirilah secara mantap dan selalu jaga keseimbangan.** Hal ini akan memberikan kontrol yang lebih baik terhadap perkakas listrik pada situasi yang tak terduga.
- ▶ **Kenakan pakaian dengan wajar. Jangan mengenakan perhiasan atau pakaian yang longgar. Jauhkan rambut dan pakaian dari komponen yang bergerak.** Pakaian yang longgar, rambut panjang, atau perhiasan dapat tersangkut dalam komponen yang bergerak.
- ▶ **Jika disediakan perangkat untuk sambungan pengisapan debu dan alat pengumpulan, pastikan perangkat tersebut terhubung dan digunakan dengan benar.** Penggunaan alat pengumpulan dapat mengurangi bahaya yang disebabkan oleh debu.
- ▶ **Jangan berpuas diri dan mengabaikan prinsip keselamatan karena terbiasa mengoperasikan perkakas.** Tindakan yang kurang hati-hati dapat mengakibatkan cedera serius dalam waktu sepersekian detik.

### Penggunaan dan pemeliharaan perkakas listrik

- ▶ **Jangan memaksakan perkakas listrik. Gunakan perkakas listrik yang sesuai untuk pekerjaan yang dilakukan.** Perkakas listrik yang sesuai akan bekerja dengan lebih baik dan aman sesuai tujuan penggunaan.
- ▶ **Jangan gunakan perkakas listrik dengan switch yang tidak dapat dioperasikan.** Perkakas listrik yang switchnya yang tidak berfungsi dapat menimbulkan bahaya dan harus diperbaiki.
- ▶ **Lepaskan steker dari sumber listrik dan/atau lepas baterai, jika dapat dilepaskan dari perkakas listrik sebelum menyatel, mengganti aksesoris, atau menyimpan perkakas listrik.** Tindakan preventif akan mengurangi risiko menghidupkan perkakas listrik secara tidak disengaja.
- ▶ **Jauhkan dan simpan perkakas listrik dari jangkauan anak-anak dan jangan biarkan orang-orang yang tidak mengetahui cara menggunakan perkakas listrik, mengoperasikan perkakas listrik.** Perkakas listrik dapat membahayakan jika digunakan oleh orang-orang yang tidak terlatih.
- ▶ **Lakukan pemeliharaan perkakas listrik dan aksesoris. Periksa komponen yang bergerak apabila tidak lurus atau terikat, kerusakan komponen, dan kondisi lain yang dapat mengganggu pengoperasian perkakas listrik. Apabila rusak, perbaiki perkakas listrik sebelum digunakan.** Kecelakaan sering terjadi karena perkakas listrik tidak dirawat dengan baik.
- ▶ **Jaga ketajaman dan kebersihan alat.** Alat pemotong dengan pisau pemotong yang tajam dan dirawat dengan baik tidak akan mudah tersangkut dan lebih mudah dikendalikan.
- ▶ **Gunakan perkakas listrik, aksesoris, dan komponen perkakas dll sesuai dengan petunjuk ini, dengan mempertimbangkan kondisi kerja dan pekerjaan yang akan dilakukan.** Penggunaan perkakas listrik untuk tujuan berbeda dari fungsinya dapat menyebabkan situasi yang berbahaya.
- ▶ **Jaga gagang dan permukaan genggam agar tetap kering, bersih, dan bebas dari minyak dan lemak.** Gagang dan permukaan genggam yang licin tidak menjamin keamanan kerja dan kontrol alat yang baik pada situasi yang tidak terduga.

### Servis

- ▶ **Minta teknisi berkualifikasi untuk menyervis perkakas listrik dengan hanya menggunakan suku cadang yang identik.** Dengan demikian, hal ini akan memastikan keamanan perkakas listrik.

### Petunjuk Keselamatan untuk gergaji sirkular

#### Prosedur pemotongan

- ▶ **⚠ BAHAYA: Jauhkan tangan dari area pemotongan dan bilah pisau. Jaga tangan yang lain agar tetap pada gagang tambahan atau housing mesin.** Jika kedua

tangan menggenggam gergaji, tangan Anda tidak akan terkena bilah pisau.

- ▶ **Jangan pegang bagian bawah benda kerja.** Pelindung tidak dapat melindungi tangan Anda dari bilah pisau di bawah benda kerja.
- ▶ **Sesuaikan kedalaman pemotongan dengan ketebalan benda kerja.** Kurangnya gerigi bilah pisau dapat terlihat dari bawah benda kerja.
- ▶ **Jangan pernah pegang benda kerja di tangan atau kaki saat memotong. Jaga agar benda kerja tetap berada pada landasan yang stabil.** Penting untuk menunjang pekerjaan dengan benar agar dapat mengurangi paparan ke badan, bilah pisau tersangkut, atau kehilangan kendali.
- ▶ **Saat menggunakan perkakas listrik, pegang perkakas listrik pada permukaan gagang isolator karena alat pemotong dapat saja bersentuhan dengan kabel yang tidak terlihat atau kabel alat pemotong itu sendiri.** Kontak dengan kabel yang dialiri listrik juga akan menyebabkan terbukanya bagian logam dari alat yang dialiri listrik sehingga berisiko mengakibatkan sengatan listrik pada operator.
- ▶ **Selalu gunakan rip fence atau pemandu tepian lurus saat melakukan pembelahan.** Hal ini akan meningkatkan keakuratan pemotongan dan mengurangi kemungkinan bilah pisau tersangkut.
- ▶ **Selalu gunakan bilah pisau dengan ukuran dan bentuk lubang poros yang sesuai (wajib versus bulat).** Bilah pisau yang tidak sesuai dengan perangkat keras yang terpasang pada gergaji akan bergerak tidak simetris dan mengakibatkan kehilangan kendali.
- ▶ **Jangan pernah menggunakan cincin pengencang bilah gergaji atau baut yang rusak atau tidak tepat.** Cincin pengencang bilah gergaji dan baut telah dirancang khusus untuk gergaji Anda guna memberikan kinerja yang optimal dan keselamatan saat pengoperasian.

#### Penyebab sentakan dan peringatan terkait

- sentakan merupakan reaksi yang terjadi secara tiba-tiba akibat bilah pisau gergaji terjepit, macet, atau tidak sejajar, sehingga menyebabkan gergaji yang tidak terkendali terangkat dan terlempar dari benda kerja ke arah operator;
- ketika bilah pisau terjepit atau macet dengan kencang pada celah potongan, bilah pisau akan berhenti bergerak dan mesin akan bereaksi dengan menggerakkan unit dengan cepat ke belakang, ke arah operator;
- jika bilah pisau terpelintir atau tidak sejajar pada potongan, gerigi di tepi belakang bilah pisau dapat menembus permukaan atas kayu sehingga menyebabkan bilah pisau melonjak keluar dari celah potongan dan terpental ke belakang, ke arah operator.

Sentakan merupakan akibat dari penggunaan yang salah pada gergaji dan/atau prosedur atau syarat pengoperasian atau syarat-syarat penggunaan yang tidak tepat, namun dapat dihindari dengan melakukan tindakan pencegahan yang tepat seperti yang diberikan di bawah ini.

- ▶ **Pertahankan genggaman yang erat pada gergaji dengan menggunakan kedua tangan dan posisikan lengan Anda untuk melawan gaya sentakan. Posisikan tubuh Anda ke salah satu sisi bilah pisau, tetapi tidak sejajar dengan bilah pisau.** Sentakan dapat menyebabkan gergaji terpesentak ke belakang, tetapi gaya sentakan dapat dikendalikan oleh operator, jika operator melakukan tindakan pencegahan yang benar.
- ▶ **Ketika bilah pisau tersangkut atau pemotongan terhenti oleh suatu sebab, lepaskan pemicu dan tahan gergaji pada material tanpa bergerak hingga bilah pisau benar-benar berhenti. Jangan pernah mencoba melepaskan gergaji dari benda kerja atau menarik gergaji ke belakang saat bilah pisau sedang bergerak atau sentakan dapat terjadi.** Periksa dan lakukan reparasi untuk mengatasi penyebab bilah pisau tersangkut.
- ▶ **Saat melanjutkan penggergajian pada benda kerja, pusatkan bilah gergaji pada celah pemotongan sehingga gerigi gergaji tidak masuk ke material.** Jika bilah gergaji tersangkut, bilah dapat naik atau tersentak dari benda kerja ketika gergaji dinyalakan kembali.
- ▶ **Berikan penyangga pada panel yang besar untuk mengurangi risiko bilah terjepit dan tersentak.** Panel yang besar cenderung akan merosot akibat besarnya beban. Penyangga harus ditempatkan di bawah panel pada kedua sisi, di dekat garis potongan dan di dekat tepi panel.
- ▶ **Jangan gunakan bilah pisau yang tumpul atau rusak.** Set bilah pisau yang tidak tajam atau tidak tepat akan menghasilkan celah potongan yang sempit dan menyebabkan gesekan yang berlebihan, bilah gergaji menjadi tersangkut, dan menyebabkan terjadinya sentakan.
- ▶ **Kedalaman bilah pisau dan tuas pengunci penyetel kemiringan harus kencang dan aman sebelum lanjut memotong.** Jika penyetelan bilah pisau bergeser ketika memotong, hal ini dapat menyebabkan bilah pisau tersangkut dan tersentak.
- ▶ **Gunakan dengan sangat hati-hati saat menggergaji ke dinding atau area lain yang sulit dilihat.** Bilah pisau yang menonjol dapat memotong objek yang dapat menyebabkan sentakan.

#### Fungsi pelindung bawah

- ▶ **Pastikan pelindung bawah dapat menutup dengan benar setiap sebelum digunakan. Jangan operasikan gergaji jika pelindung bawah tidak dapat bergerak bebas dan menutup secara tiba-tiba. Jangan jepit atau ikat pelindung bawah pada posisi terbuka.** Jika gergaji secara tidak sengaja jatuh, pelindung dapat menjadi bengkok. Angkat pelindung bawah dengan gagang penarik dan pastikan pelindung dapat bergerak bebas serta tidak bersentuhan dengan bilah pisau atau bagian lainnya pada semua sudut dan kedalaman pemotongan.
- ▶ **Periksa pengoperasian pegas pelindung bawah. Jika pelindung dan pegas tidak beroperasi dengan benar, komponen tersebut harus diservis terlebih dahulu**

sebelum digunakan. Pelindung bawah mungkin akan beroperasi dengan lambat akibat adanya komponen yang rusak, endapan cairan yang lengket, atau tumpukan kotoran.

- ▶ **Pelindung bawah dapat ditarik secara manual hanya untuk pemotongan khusus seperti "pemotongan ke bawah" (plunge cut) dan "pemotongan gabungan" (compound cut).** Angkat pelindung bawah pada gagang penarik dan segera setelah bilah pisau masuk ke material, pelindung bawah akan terlepas. Untuk semua penggergajian lainnya, pelindung bawah beroperasi secara otomatis.
- ▶ **Selalu pastikan pelindung bawah menutupi bilah pisau sebelum meletakkan gergaji pada bangku atau lantai.** Bilah pisau yang tidak terlindungi dan berputar akan menyebabkan gergaji bergerak ke belakang, dan memotong apa saja yang ada di jalurnya. Perhatikan waktu yang dibutuhkan bilah pisau untuk berhenti setelah switch dipindah.

#### Petunjuk Keselamatan tambahan

- ▶ **Jangan memegang chip ejector.** Anda dapat mengalami cedera akibat komponen yang berputar.
- ▶ **Jangan mengoperasikan alat di atas kepala.** Mengoperasikan alat dengan cara demikian membuat perkakas tidak dapat dikendalikan dengan stabil.
- ▶ **Gunakanlah alat detektor logam yang cocok untuk mencari kabel dan pipa yang tidak terlihat atau hubungi perusahaan pengadaan setempat.** Sentuhan dengan kabel-kabel listrik dapat mengakibatkan api dan kontak listrik. Pipa gas yang rusak dapat mengakibatkan ledakan. Pipa air yang rusak mengakibatkan kerusakan barang-barang atau dapat mengakibatkan kontak listrik.
- ▶ **Pegang erat perkakas listrik dengan kedua tangan selama mengoperasikannya dan pastikan Anda berdiri di posisi aman.** Gunakan perkakas listrik dengan kedua tangan secara hati-hati.
- ▶ **Jangan mengoperasikan perkakas listrik secara stasioner.** Alat ini tidak dirancang untuk pengoperasian dengan meja gergaji.
- ▶ **Selama melakukan "plunge cut" yang tidak diarahkan ke posisi ortogonal, pastikan pelat pemandu gergaji tidak bergeser.** Mata gergaji yang bergeser ke samping dapat menjadi terbelit dan menyebabkan terjadinya sentakan.
- ▶ **Gunakan alat kerja dengan aman.** Benda yang ditahan dalam alat pemegang atau bais lebih aman daripada benda yang dipegang dengan tangan.
- ▶ **Sebelum meletakkan perkakas listrik, tunggulah hingga perkakas berhenti berputar.** Alat kerja dapat tersangkut dan menyebabkan perkakas listrik tidak dapat dikendalikan.
- ▶ **Jangan menggunakan mata gergaji berbahan baja HSS (High-speed Steel).** Mata gergaji dari bahan ini mudah patah.
- ▶ **Jangan menggunakan logam besi.** Serbuk yang berkilau dapat menyulut api pada ekstraksi debu.

## ► Pakailah masker debu.

**Spesifikasi produk dan performa**

**Bacalah semua petunjuk keselamatan dan petunjuk penggunaan.** Kesalahan dalam menjalankan petunjuk keselamatan dan petunjuk penggunaan dapat mengakibatkan kontak listrik, kebakaran, dan/atau luka-luka yang berat.

Perhatikan ilustrasi yang terdapat pada sisi sampul panduan pengoperasian.

**Tujuan penggunaan**

Perkakas listrik ini cocok untuk mengerjakan pemotongan memanjang dan melintang dengan garis pemotongan tegak lurus dan serong pada kayu serta dikerjakan di atas permukaan yang stabil.

Jangan menggunakan perkakas listrik untuk mengerjakan logam besi.

**Ilustrasi komponen**

Nomor-nomor dari bagian-bagian perkakas pada gambar sesuai dengan gambar perkakas listrik pada halaman bergambar.

- (1) Kap pelindung
- (2) Tombol pengunci untuk switch on/off (3 601 EA2 0K./3 601 EA2 0L./3 601 EA2 0F.)
- (2) Kunci pengaman untuk switch on/off (3 601 EA2 08./3 601 EA2 0B./3 601 EA2 04./3 601 EA2 00./3 601 EA2 07.)
- (3) Switch on/off
- (4) Gagang tambahan
- (5) Tombol penahan spindle kerja
- (6) Skala sudut potong
- (7) Baut kupu-kupu untuk penyetelan awal sudut potong
- (8) Baut kupu-kupu untuk mistar sejajar
- (9) Tanda pemotongan 45°
- (10) Tanda pemotongan 0°
- (11) Mistar sejajar
- (12) Kap pelindung yang bisa bergerak
- (13) Tuas untuk penyetelan kap pelindung
- (14) Pelat dasar
- (15) Baut kupu-kupu untuk penyetelan awal sudut potong
- (16) Pembuangan serbuk
- (17) Kunci L
- (18) Sekrup penjepit dengan cakram
- (19) Flensa penjepit
- (20) Mata gergaji untuk mesin gergaji bundar<sup>a)</sup>
- (21) Flensa dudukan
- (22) Spindle gergaji
- (23) Baut pemasangan untuk adaptor isap<sup>a)</sup>
- (24) Adaptor isap<sup>a)</sup>
- (25) Tuas untuk pemilihan awal kedalaman pemotongan
- (26) Skala untuk kedalaman pemotongan
- (27) Sepasang klem<sup>a)</sup>
- (28) Gagang (genggaman isolator)

a) Aksesoris yang ada pada gambar atau yang dijelaskan tidak termasuk dalam lingkup pengiriman standar. Semua aksesoris yang ada dapat Anda lihat dalam program aksesoris kami.

**Data teknis**

Mesin gergaji tangan bundar		GKS 235 Turbo	GKS 235 Turbo	GKS 9
Nomor seri		3 601 EA2 0..	3 601 EA2 0B.	3 601 EA2 00. 3 601 EA2 07.
Input daya nominal	W	2050	2050	2050
Kecepatan idle	min <sup>-1</sup>	5300	5300	5300
Kecepatan putar dengan beban maks.	min <sup>-1</sup>	3500	3500	3500
Kedalaman pemotongan maks.				
– dengan sudut mitre 0°	mm	85	85	85
– dengan sudut mitre 45°	mm	65	65	65
Penguncian spindle		●	●	●
Dimensi pelat dasar	mm	383 x 170	383 x 170	383 x 170
Diameter mata gergaji maks.	mm	235	235	235
Diameter mata gergaji min.	mm	230	230	230
Ketebalan bilah baja maks.	mm	2,2	2,2	2,2
Ketebalan/pengaturan gigi maks.	mm	3,2	3,2	3,2
Ketebalan/pengaturan gigi min.	mm	2,0	2,0	2,0



Mesin gergaji tangan bundar		GKS 235 Turbo	GKS 235 Turbo	GKS 9
Lubang dudukan	mm	25	25,4	30
Berat sesuai dengan EPTA-Procedure 01:2014	kg	7,6	7,6	7,6
Tingkat perlindungan		□/II	□/II	□/II

Data-data berlaku untuk tegangan nominal [U] 230 V. Pada tegangan yang lebih rendah dan pada model khusus mancanegara data-data ini bisa berlainan.

Alat memenuhi persyaratan IEC 61000-3-11 dan tunduk pada koneksi bersyarat. Alat terkadang dapat menyebabkan fluktuasi tegangan dalam kondisi daya yang tidak menguntungkan. Impedansi alat diatur sebagai  $Z_{\text{aktual}} = 0,14 \Omega$ . Pengguna harus memastikan bahwa titik koneksi, dengan impedansi  $Z_{\text{maks}}$ , dimana alat harus dipasang, memenuhi persyaratan impedansi:  $Z_{\text{aktual}} \geq Z_{\text{maks}}$ . Jika  $Z_{\text{maks}}$  tidak diketahui, tentukan  $Z_{\text{maks}}$  dengan berkonsultasi dengan pemasok jaringan atau otoritas pemasok.

## Cara memasang

- ▶ Hanya selalu gunakan mata gergaji dengan kecepatan putaran maksimal yang diizinkan yang lebih tinggi daripada kecepatan putaran tanpa beban dari perkakas listrik.

### Memasang/mengganti mata gergaji untuk mesin gergaji bundar

- ▶ Sebelum mulai dengan pekerjaan pada perkakas listrik, tariklah steker dari stopkontak.
- ▶ Pakailah sarung tangan pelindung pada waktu memasang mata gergaji. Terdapat risiko cedera jika menyentuh mata gergaji.
- ▶ Janganlah sekali-kali menggunakan mata gerinda sebagai alat kerja mesin gergaji ini.
- ▶ Gunakanlah hanya mata gergaji yang sesuai dengan data yang tercantum di panduan pengoperasian dan pada perkakas listrik.

#### Memilih mata gergaji

Temukan ikhtisar mengenai mata gergaji yang disarankan di akhir petunjuk ini.

#### Melepas mata gergaji (lihat gambar A)

Untuk mengganti alat kerja, sebaiknya perkakas listrik diletakkan pada bagian depan housing mesin.

- Tekan dan tahan tombol penahan poros kerja (5).
- ▶ Tekan tombol penahan poros kerja (5) hanya pada poros gergaji stasioner. Jika tidak, perkakas listrik dapat rusak.
- Putar keluar baut pengencang (18) dengan kunci allen (17) ke arah ①.
- Ayunkan kap pelindung (12) dan pegang dengan kuat.
- Lepas flensa penjepit (19) dan mata gergaji (20) dari poros gergaji (22).

#### Memasang mata gergaji (lihat gambar A)

Untuk mengganti alat kerja, sebaiknya perkakas listrik diletakkan pada bagian depan housing mesin.

- Bersihkan mata gergaji (20) dan komponen penjepit yang dipasang.
- Ayunkan kap pelindung yang bisa bergerak (12) dan pegang dengan kuat.

- Pasang mata gergaji (20) pada flensa dudukan (21). Arah pemotongan serigi (arah tanda panah pada mata gergaji) dan tanda arah putaran pada kap pelindung (1) harus sesuai.
- Pasang flensa penjepit (19) dan kencangkan baut pengencang (18) ke arah ②. Perhatikan posisi pemasangan yang benar dari flensa dudukan (21) dan flensa penjepit (19).
- Tekan dan tahan tombol penahan spindle kerja (5).
- Kencangkan baut pengencang (18) dengan kunci L (17) ke arah ②. Torsi pengencangan harus sebesar 10-12 Nm yang sesuai dengan kekuatan tangan sebesar ¼ putaran.

#### Pengisap debu/serbuk

Debu dari bahan-bahan seperti cat yang mengandung timbal, beberapa jenis kayu, bahan mineral dan logam dapat berbahaya bagi kesehatan. Menyentuh atau menghirup debu tersebut dapat mengakibatkan reaksi alergi dan/atau penyakit saluran pernapasan bagi pengguna atau orang yang berada di dekatnya.

Beberapa debu tertentu seperti misalnya debu kayu pohon ek atau pohon fagus silvatica dianggap dapat mengakibatkan penyakit kanker, terutama dalam campuran dengan bahan-bahan tambahan untuk pengolahan kayu (kromat, obat pengawet kayu). Bahan-bahan yang mengandung asbes hanya boleh dikerjakan oleh orang-orang yang ahli.

- Gunakanlah hanya pengisap debu yang cocok untuk mengisap bahan yang dikerjakan.
- Pastikan terdapat ventilasi udara yang baik di tempat kerja.
- Dianjurkan untuk memakai masker anti debu dengan filter kelas P2.

Taatilah peraturan-peraturan untuk bahan-bahan yang dikerjakan yang berlaku di negara Anda.

- ▶ Hindari debu yang banyak terkumpul di tempat kerja. Debu dapat tersulut dengan mudah.

#### Memasang adaptor isap (lihat gambar B)

Pasang adaptor isap (24) pada saluran serbuk (16) hingga adaptor isap terkunci. Kencangkan adaptor isap (24) dengan baut (23).

Pada adaptor isap (24) dapat dihubungkan slang pengisap dengan diameter sebesar 35 mm.

- ▶ **Adaptor isap tidak boleh dipasang tanpa alat pengisap eksternal yang terhubung.** Jika tidak demikian, saluran pengisapan dapat tersumbat.
- ▶ **Tidak boleh ada kantong debu yang terhubung ke adaptor isap.** Jika tidak, sistem pengisap dapat tersumbat.

Untuk menjamin pengisapan yang optimal, adaptor isap harus dibersihkan **(24)** secara teratur.

### Pengisap eksternal

Perkakas listrik dapat dihubungkan secara langsung ke stopkontak pada pengisap debu serbaguna dari Bosch dengan perangkat start jauh. Jika perkakas listrik dihidupkan, mesin pengisap ikut hidup secara otomatis.

Pengisap debu harus cocok untuk material yang dikerjakan. Gunakan mesin pengisap khusus saat mengisap debu yang sangat berbahaya bagi kesehatan, pemicu kanker, atau debu kering.

Di Jerman, ekstraktor debu yang teruji diperlukan untuk debu kayu berdasarkan TRGS 553, pengisapan ini tidak boleh digunakan di sektor komersial. Untuk material lainnya, operator komersial harus menjelaskan persyaratan khusus dengan asosiasi dagang yang bertanggung jawab.

## Penggunaan

- ▶ **Sebelum mulai dengan pekerjaan pada perkakas listrik, tariklah steker dari stopkontak.**

### Mode pengoperasian

#### Mengatur kedalaman pemotongan (lihat gambar C)

- ▶ **Sesuaikan kedalaman pemotongan dengan ketebalan benda kerja.** Mata gergaji hanya boleh melampaui bagian bawah dari benda kerja maksimal setinggi satu gigi.

Lepaskan tuas pengencang **(25)**. Untuk kedalaman pemotongan yang lebih kecil, tarik gergaji dari pelat dasar **(14)**, untuk kedalaman pemotongan yang lebih besar, tekan gergaji ke arah pelat dasar **(14)**. Setel ukuran yang diinginkan pada skala kedalaman pemotongan. Kencangkan kembali tuas pengencang **(25)**.

Kekencangan tuas **(25)** bisa diatur kembali. Untuk melakukannya, lepaskan tuas **(25)** kemudian kencangkan kembali tuas setidaknya 30° berlawanan arah jarum jam.

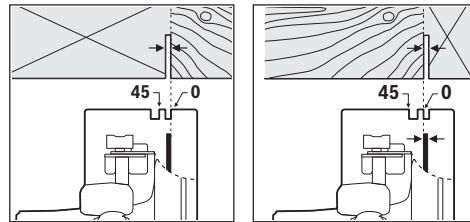
#### Mengatur sudut pemotongan

Perkakas listrik sebaiknya diletakkan pada bagian depan dari kap pelindung **(1)**.

Lepaskan baut kupu-kupu **(7)** dan **(15)**. Gerakkan mesin gergaji ke samping. Setel ukuran yang diinginkan pada skala **(6)**. Kencangkan kembali baut kupu-kupu **(7)** dan **(15)**.

**Catatan:** Kedalaman pemotongan lebih kecil dari nilai yang ditampilkan pada skala kedalaman pemotongan **(26)**.

### Tanda pemotongan



Tanda pemotongan 0° **(10)** menunjukkan posisi mata gergaji pada pemotongan persegi. Tanda pemotongan 45° **(9)** menunjukkan posisi pada mata gergaji pemotongan 45°.

Untuk melakukan pemotongan yang tepat, dekatkan mesin gergaji bundar pada benda kerja seperti terlihat pada gambar. Sebaiknya dilakukan uji coba pemotongan dahulu.

### Cara penggunaan

- ▶ **Perhatikan tegangan listrik! Tegangan jaringan listrik harus sesuai dengan tegangan listrik yang tercantum pada label tipe perkakas listrik. Perkakas listrik dengan daya sebesar 230 V seperti yang diindikasikan pada label dapat juga dioperasikan pada daya 220 V.**

#### Menghidupkan/mematikan perkakas listrik

- ▶ **Pastikan bahwa Anda dapat mengoperasikan tombol untuk menghidupkan dan mematikan tanpa perlu melepaskan handle.**

#### 3 601 EA2 0K./3 601 EA2 0L./3 601 EA2 0F.:

Untuk **penggunaan** perkakas listrik pertama kali, tekan dan tahan tombol on/off **(3)**.

Untuk **mengunci** tombol on/off yang telah ditekan **(3)** tekan tombol pengunci **(2)**.

Untuk **menonaktifkan** perkakas listrik, lepaskan tombol on/off **(3)** jika tombol dikunci dengan tombol pengunci **(2)**, tekan singkat tombol on/off **(3)** dan kemudian lepaskan.

#### 3 601 EA2 08./3 601 EA2 0B./3 601 EA2 04./

#### 3 601 EA2 00./3 601 EA2 07.:

Untuk **penggunaan** perkakas listrik pertama kali, tekan switch pengaman **(2)** dan tekan serta tahan **kemudian** tombol on/off **(3)**.

Untuk **menonaktifkan** perkakas listrik, lepaskan tombol on/off **(3)**.

**Catatan:** Demi alasan keselamatan, tombol on/off **(3)** tidak bisa dikunci, melainkan selama penggunaan perkakas, tombol harus selalu ditekan.

### Petunjuk pengoperasian

- ▶ **Sebelum mulai dengan pekerjaan pada perkakas listrik, tariklah steker dari stopkontak.**

Lebar pemotongan dapat bervariasi bergantung pada mata gergaji yang digunakan.

Lindungi mata gergaji dari benturan dan tumbukan.

Gerakkan perkakas listrik secara merata dan dengan dorongan ringan ke arah pemotongan. Dorongan yang terlalu

kuat akan sangat mengurangi masa pakai alat kerja dan dapat merusak perkakas listrik.

Daya dan kualitas pemotongan tergantung pada keadaan dan bentuk gigi dari mata gergaji. Karena itu, hanya gunakan mata gergaji yang tajam dan sesuai untuk bahan yang akan dikerjakan.

#### Menggergaji kayu

Pemilihan mata gergaji yang sesuai didasarkan pada jenis kayu, kualitas kayu dan jenis pemotongan, apakah memanjang atau melintang.

Pada pemotongan memanjang pada kayu cemara terdapat serpihan kayu yang berbentuk spiral dan panjang.

Debu kayu beech dan kayu oak sangat berbahaya bagi kesehatan, karena itu, hanya operasikan perkakas dengan pengisap debu.

#### Menggergaji dengan mistar sejajar (lihat gambar D)

Mistar sejajar (11) memungkinkan pemotongan yang tepat pada sepanjang tepi benda kerja atau bagian dari potongan yang sama.

Lepaskan baut kupu-kupu (8) dan geser skala pada mistar sejajar (11) melalui pemandu pada pelat dasar (14). Atur lebar pemotongan yang diinginkan sebagai nilai skala pada tanda pemotongan yang sesuai (10) atau (9), lihat pada bab "Tanda pemotongan". Kencangkan kembali baut kupu-kupu (8).

#### Menggergaji dengan alat penghenti (lihat gambar E)

Untuk memotong benda-benda yang besar atau memotong tepian yang lurus, Anda bisa mengencangkan sebuah papan atau lis sebagai penghenti benda kerja dan memandu gergaji bundar dengan pelat dasar pada alat penghenti.

## Perawatan dan servis

### Perawatan dan pembersihan

- ▶ **Sebelum mulai dengan pekerjaan pada perkakas listrik, tariklah steker dari stopkontak.**
- ▶ **Perkakas listrik dan lubang ventilasi harus selalu dibersihkan agar perkakas dapat digunakan dengan baik dan aman.**

Jika kabel listrik harus diganti, pekerjaan ini harus dilakukan oleh **Bosch** atau Service Center untuk perkakas listrik **Bosch** resmi agar keselamatan kerja selalu terjamin.

Kap pelindung harus selalu dapat bergerak secara bebas dan harus dapat menutup sendiri. Karena itu, jaga kebersihan area di sekitar kap pelindung. Bersihkan debu dan serpihan menggunakan sikat.

Mata gergaji yang tidak dilapisi bisa dilindungi dari korotan dengan mengolesinya dengan minyak yang tidak mengandung asam. Sebelum menggunakan mesin gergaji, bersihkan mata gergaji dari minyak karena kayu bisa tercemar karenanya.

Sisa-sisa damar dan lem pada mata gergaji akan memengaruhi hasil pemotongan. Karena itu, bersihkan mata gergaji setelah penggunaan.

## Layanan pelanggan dan konsultasi penggunaan

Layanan pelanggan Bosch menjawab semua pertanyaan Anda tentang reparasi dan perawatan serta tentang suku cadang produk ini. Gambaran teknis (exploded view) dan informasi mengenai suku cadang dapat ditemukan di:

**www.bosch-pt.com**

Tim konsultasi penggunaan Bosch akan membantu Anda menjawab pertanyaan seputar produk kami beserta aksesorinya.

Jika Anda hendak menanyakan sesuatu atau memesan suku cadang, selalu sebutkan nomor model yang terdiri dari 10 angka dan tercantum pada label tipe produk.

#### Indonesia

PT Robert Bosch  
Palma Tower 10th Floor  
Jalan RA Kartini II-S Kaveling 6  
Pondok Pinang, Kebayoran Lama  
Jakarta Selatan 12310  
Tel.: (021) 3005 5800  
Fax: (021) 3005 5801  
E-Mail: boschpowertools@id.bosch.com  
www.bosch-pt.co.id

#### Alamat layanan lainnya dapat ditemukan di:

[www.bosch-pt.com/serviceaddresses](http://www.bosch-pt.com/serviceaddresses)

## Cara membuang

Perkakas listrik, aksesoris, dan kemasan sebaiknya didaur ulang secara ramah lingkungan.



Jangan membuang perkakas listrik ke dalam tempat sampah rumah tangga!

## Tiếng Việt

### Hướng dẫn an toàn

#### Hướng dẫn an toàn chung cho dụng cụ điện

**⚠ CẢNH BÁO** **Hãy đọc toàn bộ các cảnh báo an toàn, hướng dẫn, hình ảnh và thông số kỹ thuật được cung cấp cho dụng cụ điện cầm tay này.** Không tuân thủ mọi hướng dẫn được liệt kê dưới đây có thể bị điện giật, gây cháy và /hay bị thương tật nghiêm trọng. **Hãy giữ tất cả tài liệu về cảnh báo và hướng dẫn để tham khảo về sau.**

Thuật ngữ "dụng cụ điện cầm tay" trong phần cảnh báo là để cập đến sự sử dụng dụng cụ điện cầm tay của bạn, loại sử dụng điện nguồn (có dây cắm điện) hay vận hành bằng pin (không dây cắm điện).

### Khu vực làm việc an toàn

- ▶ **Giữ nơi làm việc sạch và đủ ánh sáng.** Nơi làm việc bừa bộn và tối tăm dễ gây ra tai nạn.
- ▶ **Không vận hành dụng cụ điện cầm tay trong môi trường dễ gây nổ, chẳng hạn như nơi có chất lỏng dễ cháy, khí đốt hay rác.** Dụng cụ điện cầm tay tạo ra các tia lửa nên có thể làm rác bén cháy hay bốc khói.
- ▶ **Không để trẻ em hay người đến xem đứng gần khi vận hành dụng cụ điện cầm tay.** Sự phân tâm có thể gây ra sự mất điều khiển.

### An toàn về điện

- ▶ **Phích cắm của dụng cụ điện cầm tay phải thích hợp với ổ cắm.** Không bao giờ được cải biến lại phích cắm dưới mọi hình thức. Không được sử dụng phích tiếp hợp nối tiếp đất (dây mát). Phích cắm nguyên bản và ổ cắm đúng loại sẽ làm giảm nguy cơ bị điện giật.
- ▶ **Tránh không để thân thể tiếp xúc với đất hay các vật có bề mặt tiếp đất như đường ống, lò sưởi, hàng rào và tủ lạnh.** Có nhiều nguy cơ bị điện giật hơn nếu cơ thể bạn bị tiếp hay nối đất.
- ▶ **Không được để dụng cụ điện cầm tay ngoài mưa hay ở tình trạng ẩm ướt.** Nước vào máy sẽ làm tăng nguy cơ bị điện giật.
- ▶ **Không được làm dụng dây dẫn điện.** Không bao giờ được nắm dây dẫn để xách, kéo hay rút phích cắm dụng cụ điện cầm tay. Không để dây gần nơi có nhiệt độ cao, dầu nhớt, vật nhọn bén và bộ phận chuyển động. Làm hỏng hay cuộn rối dây dẫn làm tăng nguy cơ bị điện giật.
- ▶ **Khi sử dụng dụng cụ điện cầm tay ngoài trời, dùng dây nối thích hợp cho việc sử dụng ngoài trời.** Sử dụng dây nối thích hợp cho việc sử dụng ngoài trời làm giảm nguy cơ bị điện giật.
- ▶ **Nếu việc sử dụng dụng cụ điện cầm tay ở nơi ẩm ướt là không thể tránh được, dùng thiết bị ngắt mạch tự động (RCD) bảo vệ nguồn.** Sử dụng thiết bị ngắt mạch tự động RCD làm giảm nguy cơ bị điện giật.

### An toàn cá nhân

- ▶ **Hãy tỉnh táo, biết rõ mình đang làm gì và hãy sử dụng ý thức khi vận hành dụng cụ điện cầm tay.** Không sử dụng dụng cụ điện cầm tay khi đang mệt mỏi hay đang bị tác động do chất gây nghiện, rượu hay được phẩm gây ra. Một thoáng mất tập trung khi đang vận hành dụng cụ điện cầm tay có thể gây thương tích nghiêm trọng cho bản thân.
- ▶ **Sử dụng trang bị bảo hộ cá nhân.** Luôn luôn đeo kính bảo vệ mắt. Trang bị bảo hộ như khẩu trang, giày chống trượt, nón bảo hộ, hay dụng cụ bảo vệ tai khi được sử dụng đúng nơi đúng chỗ sẽ làm giảm nguy cơ thương tật cho bản thân.

- ▶ **Phòng tránh máy khởi động bất ngờ.** Bảo đảm công tắc máy ở vị trí tắt trước khi cắm vào nguồn điện và/hay lắp pin vào, khi nhắc máy lên hay khi mang xách máy. Ngáng ngón tay vào công tắc máy để xách hay kích hoạt dụng cụ điện cầm tay khi công tắc ở vị trí mở dễ dẫn đến tai nạn.
- ▶ **Lấy mọi chìa hay khóa điều chỉnh ra trước khi mở điện dụng cụ điện cầm tay.** Khóa hay chìa còn gắn dính vào bộ phận quay của dụng cụ điện cầm tay có thể gây thương tích cho bản thân.
- ▶ **Không rướn người.** Luôn luôn giữ tư thế đứng thích hợp và thăng bằng. Điều này tạo cho việc điều khiển dụng cụ điện cầm tay tốt hơn trong mọi tình huống bất ngờ.
- ▶ **Trang phục thích hợp.** Không mặc quần áo rộng lủng thùng hay mang trang sức. Giữ tóc và quần áo xa khỏi các bộ phận chuyển động. Quần áo rộng lủng thùng, đồ trang sức hay tóc dài có thể bị cuốn vào các bộ phận chuyển động.
- ▶ **Nếu có các thiết bị đi kèm để nối máy hút bụi và các phụ kiện khác, bảo đảm các thiết bị này được nối và sử dụng tốt.** Việc sử dụng các thiết bị gom hút bụi có thể làm giảm các độc hại liên quan đến bụi gây ra.
- ▶ **Không để thói quen do sử dụng thường xuyên dụng cụ khiến bạn trở nên chủ quan và bỏ qua các quy định an toàn dụng cụ.** Một hành vi bất cẩn có thể gây ra thương tích nghiêm trọng chỉ trong tích tắc.

### Sử dụng và bảo dưỡng dụng cụ điện cầm tay

- ▶ **Không được ép máy.** Sử dụng dụng cụ điện cầm tay đúng loại theo đúng ứng dụng của bạn. Dụng cụ điện cầm tay đúng chức năng sẽ làm việc tốt và an toàn hơn theo đúng tiến độ mà máy được thiết kế.
- ▶ **Không sử dụng dụng cụ điện cầm tay nếu như công tắc không tắt và mở được.** Bất kỳ dụng cụ điện cầm tay nào mà không thể điều khiển được bằng công tắc là nguy hiểm và phải được sửa chữa.
- ▶ **Rút phích cắm ra khỏi nguồn điện và/hay pin ra khỏi dụng cụ điện cầm tay nếu có thể tháo được, trước khi tiến hành bất kỳ điều chỉnh nào, thay phụ kiện, hay cất dụng cụ điện cầm tay.** Các biện pháp ngăn ngừa như vậy làm giảm nguy cơ dụng cụ điện cầm tay khởi động bất ngờ.
- ▶ **Cất giữ dụng cụ điện cầm tay không dùng tới nơi trẻ em không lấy được và không cho người chưa từng biết dụng cụ điện cầm tay hay các hướng dẫn này sử dụng dụng cụ điện cầm tay.** Dụng cụ điện cầm tay nguy hiểm khi ở trong tay người chưa được chỉ cách sử dụng.

- ▶ **Bảo quản dụng cụ điện cầm tay và các phụ kiện.** Kiểm tra xem các bộ phận chuyển động có bị sai lệch hay kẹt, các bộ phận bị rạn nứt và các tình trạng khác có thể ảnh hưởng đến sự vận hành của máy. Nếu bị hư hỏng, phải sửa chữa máy trước khi sử dụng. Nhiều tai nạn xảy ra do bảo quản dụng cụ điện cầm tay tồi.
- ▶ **Giữ các dụng cụ cắt bén và sạch.** Bảo quản đúng cách các dụng cụ cắt có cạnh cắt bén làm giảm khả năng bị kẹt và dễ điều khiển hơn.
- ▶ **Sử dụng dụng cụ điện cầm tay, phụ kiện, đầu cài v. v., đúng theo các chỉ dẫn này, hãy lưu ý đến điều kiện làm việc và công việc phải thực hiện.** Sự sử dụng dụng cụ điện cầm tay khác với mục đích thiết kế có thể tạo nên tình huống nguy hiểm.
- ▶ **Giữ tay cầm và bề mặt nắm luôn khô ráo, sạch sẽ và không dính dầu mỡ.** Tay cầm và bề mặt nắm trơn trượt không đem lại thao tác an toàn và kiểm soát dụng cụ trong các tình huống bất ngờ.

#### Bảo dưỡng

- ▶ **Đưa dụng cụ điện cầm tay của bạn đến thợ chuyên môn để bảo dưỡng, chỉ sử dụng phụ tùng đúng chủng loại để thay.** Điều này sẽ đảm bảo sự an toàn của máy được giữ nguyên.

#### Các hướng dẫn an toàn cho cửa tròn

##### Các quy trình cắt

- ▶ **⚠ NGUY HIỂM:** Không được cho tay vào khu vực cắt và lưỡi cắt. Đặt một tay lên tay nắm phụ, hoặc vỏ động cơ. Nếu dùng cả hai tay để giữ máy cửa, lưỡi cửa sẽ không thể làm đứt tay.
- ▶ **Không được chạm tay vào phía dưới phôi gia công.** Nắp bảo vệ không thể bảo vệ bạn khỏi lưỡi cửa phía dưới phôi gia công.
- ▶ **Điều chỉnh độ sâu cắt theo độ dày của phôi gia công.** Phải nhìn thấy ít nhất một rãnh cửa của lưỡi cửa phía dưới phôi gia công.
- ▶ **Trong khi cắt, tuyệt đối không dùng tay nắm phôi được cắt hoặc đặt phôi ngang chân của bạn.** Cố định phôi gia công vào sàn thao tác cố định. Việc cố định phôi để giảm thiểu diện tích tiếp xúc với cơ thể, giảm thiểu làm kẹt lưỡi cửa hoặc mất kiểm soát là rất quan trọng.
- ▶ **Cầm dụng cụ điện tại các bề mặt cầm nắm cách điện, khi thực hiện một thao tác tại vị trí mà dụng cụ cắt có thể tiếp xúc với dây điện ngầm hoặc dây điện của thiết bị.** Việc tiếp xúc "trực tiếp" với dây có điện cũng có thể làm cho các phần kim loại hở của dụng cụ điện cầm tay có điện và có thể gây ra điện giật cho người vận hành.

- ▶ **Khi xẻ dọc, luôn sử dụng lá chắn dọc thứ hoặc thanh dẫn hướng cạnh thẳng.** Điều này cải thiện độ chính xác của đường cắt và giảm sự bó lưỡi cửa.
- ▶ **Luôn sử dụng lưỡi cửa đúng kích cỡ và hình dáng (lưỡi kim cương khác với lưỡi tròn) của lỗ tâm.** Các lưỡi không khớp với các phụ kiện cứng ghép nối của máy cửa sẽ làm lệch tâm và có thể làm mất kiểm soát.
- ▶ **Tuyệt đối không sử dụng vòng đệm hoặc chốt lưỡi cửa bị hỏng hoặc không đúng.** Vòng đệm và chốt lưỡi cửa được thiết kế đặc biệt cho máy cửa của bạn, để mang lại hiệu suất và an toàn hoạt động tối ưu.

#### Nguyên nhân gây ra lực phản hồi và các cảnh báo liên quan

- Lực phản hồi là một lực tác động đột ngột lên lưỡi cửa bị bó, kẹt hoặc bị lệch tâm làm cho không kiểm soát được lưỡi cửa khi nâng và đẩy phôi về phía người vận hành;
- khi lưỡi cửa bị bó hoặc kẹt chặt khi đóng rãnh cửa, lưỡi cửa sẽ dừng lại và quán tính của động cơ làm cho thiết bị chạy nhanh hơn hướng về phía người vận hành;
- nếu lưỡi cửa bị xoắn hoặc lệch tâm trong đường cửa, rãnh cửa ở cạnh sau của lưỡi cửa có thể cắt sâu vào bề mặt phía trên của tấm gỗ và làm cho lưỡi cửa chệch khỏi rãnh cửa và nảy ngược trở lại phía người vận hành.

Lực phản hồi là do việc sử dụng sai và/hoặc quy trình hoặc điều kiện vận hành sai máy cửa và có thể phòng tránh bằng cách áp dụng các biện pháp phòng ngừa phù hợp được nêu dưới đây.

- ▶ **Giữ chặt tay nắm trên máy cửa bằng cả hai tay và giữ chặt tay của bạn để chịu được các lực phản hồi.** Giữ cơ thể của bạn về một trong hai phía của lưỡi cửa, nhưng không được thẳng hàng với lưỡi cửa. Lực phản hồi có thể làm cho máy cửa bật ngược trở lại, tuy nhiên người vận hành có thể kiểm soát được các lực phản hồi nếu áp dụng các biện pháp phòng ngừa phù hợp.
- ▶ **Khi lưỡi cửa bị kẹt hoặc khi dừng cửa vì bất kỳ lý do nào đó, hãy nhả công tắc bấm của máy cửa và giữ cố định máy cửa trong vật liệu tới khi lưỡi cửa đã dừng quay hẳn.** Tuyệt đối không cố gắng lấy máy cửa ra khỏi phôi hoặc kéo ngược máy cửa trong khi lưỡi cửa vẫn đang quay nếu không lực phản hồi có thể xảy ra. Kiểm tra và có biện pháp khắc phục để loại bỏ nguyên nhân kẹt lưỡi cửa.
- ▶ **Khi khởi động lại máy cửa đang ở trong phôi gia công, chỉnh tâm lưỡi cửa vào đúng rãnh cửa sao cho rãnh cửa không bị mắc vào vật liệu.** Nếu lưỡi cửa bị kẹt, nó có thể trật rãnh cửa hoặc sinh ra lực phản hồi từ phôi khi khởi động lại máy cửa.



- ▶ **Sử dụng các panô lớn để giảm thiểu rủi ro bị kẹt lưới cửa và lực phản hồi.** Các panô lớn thường võng xuống dưới trọng lượng riêng của chúng. Cần phải đặt các tấm đỡ phía dưới panô ở cả hai phía, gần đường cửa và gần cạnh của panô.
- ▶ **Không sử dụng lưới cửa hồng hoặc cùn.** Lưới cửa không sắc hoặc không phù hợp có thể tạo ra rãnh cửa hẹp gây ra lực ma sát quá mức, bó lưới cửa và lực phản hồi.
- ▶ **Độ sâu của lưới cửa và các tay siết điều chỉnh phải chặt và chắc chắn trước khi tiến hành cửa.** Nếu lưới cửa dịch chuyển trong khi cửa, nó có thể làm kẹt lưới cửa và gây ra lực phản hồi.
- ▶ **Sử dụng thêm biện pháp an toàn khi cắt rãnh vào các vách hiện có hoặc các khu vực không nhìn thấy khác.** Lưới cửa nhô ra có thể cắt các vật thể và có thể gây ra lực phản hồi.

#### Chức năng nắp bảo vệ phía dưới

- ▶ **Kiểm tra nắp bảo vệ phía dưới đã đóng kín hay chưa trước mỗi lần sử dụng.** Không được vận hành máy cửa nếu nắp bảo vệ phía dưới không di chuyển tự do và đóng lại được. Tuyệt đối không kẹp hoặc gắn nắp bảo vệ phía dưới vào vị trí mở. Nếu tình cờ làm rơi máy cửa, nắp bảo vệ phía dưới có thể bị cong. Nâng nắp bảo vệ phía dưới lên bằng tay nắm co rút và đảm bảo nó di chuyển tự do và không được chạm vào lưới cửa hoặc bất kỳ bộ phận nào khác ở tất cả các góc và độ sâu của đường cửa.
- ▶ **Kiểm tra hoạt động của lò xo bảo vệ phía dưới.** Nếu nắp bảo vệ và lò xo không hoạt động tốt, phải sửa chữa chúng trước khi sử dụng. Nếu nắp bảo vệ dưới hoạt động chậm do các bộ phận bị hư hỏng, nhựa lỏng hoặc tích tụ các mảnh vụn cửa.
- ▶ **Có thể co rút nắp bảo vệ phía dưới bằng tay chỉ với các đường cửa đặc biệt như các "đường cửa rãnh chìm" và "đường cửa ghép".** Nâng nắp bảo vệ phía dưới lên bằng tay nắm co rút và ngay khi lưới cửa cắt vào vật liệu, phải nhả nắp bảo vệ phía dưới ra. Đối với các đường cửa khác, phải vận hành nắp bảo vệ phía dưới một cách tự động.
- ▶ **Luôn quan sát nắp bảo vệ xem có che kín lưới cắt không trước khi đặt máy cửa xuống bàn làm việc hoặc sàn nhà.** Lưới cửa không được bảo vệ sẽ làm cho máy cửa bật ngược lại và cắt vào bất kỳ điểm nào trong đường cửa. Cần để ý đến thời gian cần thiết để dừng lưới cửa sau khi nhả công tắc.

#### Các cảnh báo phụ thêm

- ▶ **Không cắm vào bộ phận vỏ bảo bằng tay.** Nó có thể làm bạn bị thương ở các bộ phận xoay.

- ▶ **Không làm việc với cửa ở trên đầu.** Bạn không kiểm soát đủ trên dụng cụ điện.
- ▶ **Dùng thiết bị dò tìm thích hợp để xác định nếu có các công trình công cộng lắp đặt ngầm trong khu vực làm việc hay liên hệ với Cty công trình công cộng địa phương để nhờ hỗ trợ.** Dụng cụ dò đường dẫn điện có thể gây ra hỏa hoạn và điện giật. Làm hư hại đường dẫn khí ga có thể gây nổ. Làm thủng đường dẫn nước gây hư hỏng tài sản hay có khả năng gây ra điện giật.
- ▶ **Giữ máy thật chắc bằng cả hai tay trong khi làm việc và luôn luôn giữ tư thế đứng cho thích hợp và cân bằng.** Dùng hai tay để điều khiển máy thì an toàn hơn.
- ▶ **Không được vận hành tính dụng cụ điện.** Nó không được thiết kế để vận hành với bàn cửa.
- ▶ **Khi „Phay cắt chìm“, mà không được tiến hành ở góc bên phải, hãy cố định tấm dẫn hướng của cửa để chống di chuyển sang bên.** Việc di chuyển sang bên có thể dẫn đến kẹt lưới cửa và gây dội ngược.
- ▶ **Kẹp chặt vật gia công.** Vật gia công được kẹp bằng một thiết bị kẹp hay bằng ê-tô thì vững chắc hơn giữ bằng tay.
- ▶ **Luôn luôn đợi cho máy hoàn toàn ngừng hẳn trước khi đặt xuống.** Dụng cụ lắp vào máy có thể bị kẹp chặt dẫn đến việc dụng cụ điện cầm tay bị mất điều khiển.
- ▶ **Không được sử dụng lưới cửa bằng thép HSS.** Những loại lưới cửa như vậy có thể vỡ dễ dàng.
- ▶ **Không cửa kim loại đen.** Các vỏ bảo nóng sáng có thể đốt cháy hệ thống hút bụi.
- ▶ **Hãy mang mặt nạ chống bụi.**

## Mô Tả Sản Phẩm và Đặc Tính Kỹ Thuật



**Đọc kỹ mọi cảnh báo an toàn và mọi hướng dẫn.** Không tuân thủ mọi cảnh báo và hướng dẫn được liệt kê dưới đây có thể bị điện giật, gây cháy và / hay bị thương tật nghiêm trọng.

Xin lưu ý các hình minh họa trong phần trước của hướng dẫn vận hành.

### Sử dụng đúng cách

Máy được thiết kế để cắt gỗ theo đường dọc thẳng và chéo góc cũng như cắt vát chéo góc khi vật liệu gia công được kẹp giữ vững chắc.

Không được phép gia công kim loại màu.



### Các bộ phận được minh họa

Sự đánh số các biểu trưng của sản phẩm là để tham khảo hình minh họa của máy trên trang hình ảnh.

- (1) Chắn bảo vệ lưỡi
- (2) Nút khóa giữ công tắc Tắt/Mở  
(3 601 EA2 0K./3 601 EA2 0L./  
3 601 EA2 0F.)
- (2) Khóa an toàn của công tắc Tắt/Mở  
(3 601 EA2 08./3 601 EA2 0B./  
3 601 EA2 04./3 601 EA2 00./  
3 601 EA2 07.)
- (3) Công tắc Tắt/Mở
- (4) Tay nắm phụ
- (5) Nút khóa trực
- (6) Thước đo góc vuông miệng
- (7) Bu-long tai hồng dùng để chọn trước góc xiên
- (8) Bu-long tai hồng của đường cặp cạnh
- (9) Dấu cắt 45°
- (10) Dấu cắt 0°
- (11) Đường Cặp Cạnh
- (12) Chắn đàn hồi bảo vệ lưỡi

- (13) Cản đàn hồi dùng để kéo thật chắc bảo vệ lưỡi vào
- (14) Chân đế khuôn bao
- (15) Bu-long tai hồng dùng để chọn trước góc xiên
- (16) Vít khóa cầu thanh
- (17) Chia vận sáu cạnh
- (18) Vít siết với đĩa
- (19) Bích kẹp
- (20) Lưỡi Cưa<sup>a)</sup>
- (21) Mặt bích tiếp nhận
- (22) Trục cưa
- (23) Vít cố định bộ thích ứng hút<sup>a)</sup>
- (24) Bộ thích ứng hút<sup>a)</sup>
- (25) Cản khóa dùng để chọn trước cỡ sâu cắt
- (26) Thước đo cỡ sâu cắt
- (27) Cặp kẹp vít<sup>a)</sup>
- (28) Tay nắm (bề mặt nắm cách điện)

a) Phụ tùng được trình bày hay mô tả không phải là một phần của tiêu chuẩn hàng hóa được giao kèm theo sản phẩm. Bạn có thể tham khảo tổng thể các loại phụ tùng, phụ kiện trong chương trình phụ tùng của chúng tôi.

### Thông số kỹ thuật

Cưa Đĩa		GKS 235 Turbo	GKS 235 Turbo	GKS 9
Mã số máy		<b>3 601 EA2 0..</b>	<b>3 601 EA2 0B.</b>	<b>3 601 EA2 00. 3 601 EA2 07.</b>
Công suất vào danh định	W	2050	2050	2050
Tốc độ không tải	min <sup>-1</sup>	5300	5300	5300
Tốc độ quay chịu tải, tối đa	min <sup>-1</sup>	3500	3500	3500
Công suất cắt tối đa				
– ở góc vát chéo 0°	mm	85	85	85
– ở góc vát chéo 45°	mm	65	65	65
Khóa trực		●	●	●
Các kích thước chân đế khuôn bao	mm	383 x 170	383 x 170	383 x 170
Đường kính lưỡi cưa tối đa	mm	235	235	235
Đường kính lưỡi cưa tối thiểu	mm	230	230	230
Độ dày lưỡi cưa, tối đa	mm	2,2	2,2	2,2
Độ dày răng cưa/phân bố, tối đa	mm	3,2	3,2	3,2
Độ dày răng cưa/phân bố, tối thiểu	mm	2,0	2,0	2,0
Lỗ lắp vào	mm	25	25,4	30
Trọng lượng theo Quy trình EPTA-Procedure 01:2014	kg	7,6	7,6	7,6
Cấp độ bảo vệ		□/II	□/II	□/II

Các giá trị đã cho có hiệu lực cho điện thế danh định [U] 230 V. Đối với điện thế thấp hơn và các loại máy dành riêng cho một số quốc gia, các giá trị này có thể thay đổi.

Thiết bị đáp ứng các yêu cầu của IEC 61000-3-11 và phải được đấu nối có điều kiện. Thiết bị có thể gây ra dao động điện áp không thường xuyên trong các điều kiện nguồn điện không thuận lợi. Trở kháng của thiết bị này được đặt là  $Z_{\text{actual}} = 0,14 \Omega$ . Người sử dụng phải đảm bảo rằng, điểm đấu nối có trở kháng  $Z_{\text{max}}$  mà thiết bị sẽ được cắm vào đáp ứng yêu cầu về trở kháng:  $Z_{\text{actual}} \geq Z_{\text{max}}$ . Nếu  $Z_{\text{max}}$  không xác định, hãy liên hệ nhà cung cấp mạng hoặc cơ quan cung cấp để xác định  $Z_{\text{max}}$ .

## Sự lắp vào

- ▶ **Chỉ sử dụng lưới cửa có tốc độ tối đa cho phép cao hơn tốc độ không tải của dụng cụ điện.**

### Lắp/Thay Lưới Cửa

- ▶ **Trước khi tiến hành bất cứ việc gì trên máy, kéo phích cắm điện nguồn ra.**
- ▶ **Khi lắp ráp lưới cửa, hãy mang găng tay bảo hộ vào.** Nguy cơ gây thương tích khi chạm vào lưới cửa.
- ▶ **Trong bất kỳ trường hợp nào cũng không được sử dụng đĩa mài làm phụ tùng.**
- ▶ **Chỉ sử dụng lưới cửa phù hợp với các đặc tính kỹ thuật được ghi rõ trong các hướng dẫn sử dụng và trên dụng cụ điện.**

### Chọn Lưới Cửa

Bạn sẽ tìm thấy một tổng quan các lưới cửa khuyến nghị ở cuối hướng dẫn vận hành.

#### Tháo dỡ lưới cửa (xem hình A)

Để thay dụng cụ cắt, tốt nhất là nên đặt máy lên bên bề mặt có vỏ bọc động cơ.

- Nhấn nút khóa trục (5) và nhấn giữ.
- ▶ **Chỉ cho nút khóa trục hoạt động (5) khi trục cửa đã đứng yên.** Nếu không, máy có thể bị làm hỏng.
- Dùng chìa vặn sáu cạnh (17) để xoay bu-lông bắt cố định (18) theo hướng xoay ⚙️ ra ngoài.
- Hãy xoay chắn đàn hồi bảo vệ lưới (12) lùi và giữ chặt.
- Hãy tháo bích kẹp (19) và lưới cửa (20) khỏi trục cửa (22).

#### Lắp lưới cửa (xem hình A)

Để thay dụng cụ cắt, tốt nhất là nên đặt máy lên bên bề mặt có vỏ bọc động cơ.

- Làm sạch lưới cửa (20) và tất cả bộ phận kẹp cần lắp.
- Hãy xoay chắn đàn hồi bảo vệ lưới (12) lùi và giữ chặt.
- Hãy đặt lưới cửa (20) lên mặt bích tiếp nhận (21). Hướng cắt của răng (Hướng mũi tên trên lưới cửa) và mũi tên hướng xoay trên chắn bảo vệ lưới (1) phải khớp.
- Đặt bích kẹp (19) lên và vặn bu-lông bắt cố định vào (18) theo hướng xoay ⚙️. Hãy chú ý vị trí lắp ráp của mặt bích tiếp nhận (21) và bích kẹp (19).

- Nhấn nút khóa trục (5) và nhấn giữ.
- Dùng chìa vặn sáu cạnh (17) để siết chặt bu-lông bắt cố định (18) theo hướng xoay ⚙️. Mô-men xoắn phải đạt 10-12 Nm, tương ứng với ¼ vòng chặt vừa tay.

### Hút Dăm/Bụi

Mạt bụi từ các vật liệu được sơn phủ ngoài có chứa chì trên một số loại gỗ, khoáng vật và kim loại có thể gây nguy hại đến sức khỏe con người. Đụng chạm hay hít thở các bụi này có thể làm người sử dụng hay đứng gần bị dị ứng và/hoặc gây nhiễm trùng hệ hô hấp.

Một số hạt bụi cụ thể, ví dụ như bụi gỗ sồi hay đậu, được xem là chất gây ung thư, đặc biệt là có liên quan đến các chất phụ gia dùng xử lý gỗ (chất cromat, chất bảo quản gỗ). Có thể chỉ nên để thợ chuyên môn gia công các loại vật liệu có chứa amiăng.

- Cách xa ở mức có thể được, sử dụng hệ thống hút thích hợp cho loại vật liệu.
- Tạo không khí thông thoáng nơi làm việc.
- Khuyến nghị nên mang mặt nạ phòng độc có bộ lọc cấp P2.

Tuân thủ các qui định của quốc gia bạn liên quan đến loại vật liệu gia công.

- ▶ **Tránh không để rác tích tụ tại nơi làm việc.** Rác có thể dễ dàng bắt lửa.

#### Lắp bộ thích ứng hút (xem hình B)

Hãy gắn bộ thích ứng hút (24) lên vít khóa cầu thanh (16) đến khi vào khớp. Hãy cố định bộ thích ứng hút (24) bằng vít (23).

Tại bộ thích ứng hút (24) một ống hút có thể được kết nối với đường kính 35 mm.

- ▶ **Bộ thích ứng hút không được phép lắp mà không có máy hút bụi ngoài đã kết nối.** Nếu không, đường hút có thể bị tắc nghẽn.
- ▶ **Tại bộ thích ứng hút không được phép kết nối túi chứa bụi.** Nếu không, hệ thống hút có thể bị tắc nghẽn.

Để đảm bảo sự hút được tốt nhất, bộ phận hút (24) ghép nối phải được làm sạch thường xuyên.

#### Máy Hút Bụi Ngoài

Dụng cụ điện có thể được kết nối trực tiếp với ổ cắm của máy hút bụi đa năng Bosch bằng thiết bị khởi động từ xa. Máy hút chân không khởi động từ động khi máy được mở.

Máy hút bụi phải thích hợp dành cho loại vật liệu đang gia công.

Khi hút bụi khô loại đặc biệt gây nguy hại đến sức khỏe hoặc gây ra ung thư, hãy sử dụng máy hút bụi loại chuyên dụng.

Ở Đức, cần phải sử dụng thiết bị hút bụi gỗ được kiểm tra trên cơ sở TRGS 553, loại máy hút bụi cá nhân không được phép sử dụng trong lĩnh vực chuyên nghiệp. Đối với các chất liệu khác, nhà điều hành cơ sở kinh doanh phải làm rõ các yêu cầu đặc biệt với hiệp hội bảo hiểm trách nhiệm của chủ lao động có thẩm quyền.

## Vận Hành

- **Trước khi tiến hành bất cứ việc gì trên máy, kéo phích cắm điện nguồn ra.**

### Chế độ hoạt động

**Điều chỉnh cỡ sâu cắt (xem hình C)**

- **Điều chỉnh cỡ sâu cắt phù hợp với độ dày của phôi gia công.** Phải nhìn thấy được gần như nguyên răng của lưỡi cưa bên dưới vật liệu gia công.

Nhà tay gạt siết (25). Để có cỡ sâu cắt nhỏ hơn, hãy kéo cưa ra khỏi chân đế khuôn bao (14), để có cỡ sâu cắt lớn hơn hãy ấn cưa vào chân đế khuôn bao (14). Chính đặt cỡ sâu cắt theo yêu cầu trên thước đo cỡ sâu. Siết lại tay gạt siết (25).

Lực kẹp của tay gạt siết (25) có thể được điều chỉnh lại. Hãy mở vít của tay gạt siết (25) và siết lại tối thiểu 30° ngược chiều kim đồng hồ.

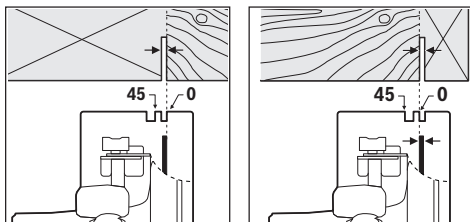
### Làm trơn khi cắt kim loại

Tốt nhất là đặt dụng cụ điện lên mặt trước của chân bảo vệ lưỡi (1).

Nới lỏng bu-long tai hồng (7) và (15). Kéo nghiêng cưa sang một bên. Chính đặt cỡ sâu cắt theo yêu cầu trên thước đo (6). Vặn chặt lại bu-long tai hồng (7) và (15).

**Lưu ý:** Khi cắt mép vát, cỡ sâu cắt sẽ nhỏ hơn giá trị được hiển thị trên thước đo cỡ sâu (26).

### Các Vạch Cắt



Dấu cắt 0° (10) hiển thị vị trí của lưỡi cưa ở vết cắt vuông góc. Dấu cắt 45° (9) hiển thị vị trí của lưỡi cưa ở vết cắt 45°.

Để cắt chính xác, chính đặt máy cưa đĩa tựa vào vật gia công như đã được trình bày trong hình. Tốt nhất là nên thực hiện việc cắt thử trước.

### Bắt Đầu Vận Hành

- **Hãy cẩn thận với nguồn điện! Điện thế nguồn phải đúng với điện thế đã ghi rõ trên nhãn máy. Dụng cụ điện được ghi 230 V cũng có thể được vận hành ở 220 V.**

### Bật Mở và Tắt

- **Hãy đảm bảo rằng, bạn có thể nhấn Công tắc bật/tắt, mà không cần nhả tay nắm.**

**3 601 EA2 0K./3 601 EA2 0L./3 601 EA2 0F.:**

Để vận hành thử dụng cụ điện hãy nhấn công tắc Tắt/Mở (3) và nhấn giữ.

Để khóa công tắc bật/tắt đã nhấn (3) hãy nhấn nút khóa giữ (2).

Để tắt dụng cụ điện, hãy nhả công tắc bật/tắt (3) hoặc nếu nó được khóa bằng nút khóa giữ (2), hãy nhấn công tắc bật/tắt (3) nhanh và nhả.

**3 601 EA2 08./3 601 EA2 0B./3 601 EA2 04./3 601 EA2 00./3 601 EA2 07.:**

Để vận hành thử dụng cụ điện hãy nhấn khóa an toàn (2) và sau đó nhấn công tắc tắt/mở và nhấn giữ (3).

Để tắt máy, nhả công tắc Tắt/Mở (3) ra.

**Hướng dẫn:** Vì lý do an toàn, công tắc chuyển mạch Tắt/Mở (3) không thể khóa tự chạy được, mà phải giữ nhấn trong suốt quá trình vận hành.

### Hướng Dẫn Sử Dụng

- **Trước khi tiến hành bất cứ việc gì trên máy, kéo phích cắm điện nguồn ra.**

Độ rộng cắt biến đổi tùy theo lưỡi cưa được dùng. Bảo vệ lưỡi cưa không bị va đập và dụng cụ chạm mạnh.

Đẩy máy đều tay và cho nạp tải vừa phải đi theo chiều cắt. Sự nạp tải quá mức làm giảm đáng kể tuổi thọ của dụng cụ cắt và có thể làm hư hỏng máy.

Hiệu suất cưa và chất lượng của sự cưa cắt tùy thuộc chủ yếu vào điều kiện, kiểu dáng răng của lưỡi cưa. Vì vậy, chỉ nên sử dụng các lưỡi cưa bên, thích hợp với loại vật liệu được gia công.

### Cưa Gỗ

Sự lựa chọn đúng loại lưỡi cưa dựa trên loại và chất lượng gỗ và cách cắt theo yêu cầu, cắt theo chiều dọc hay chiều chéo góc.

Khi xẻ dọc gỗ cây vân sấm, dăm bào được tạo ra thường xoắn dài.

Bụi gỗ sỏi và bụi gỗ dẻ gai đặc biệt gây hại cho sức khỏe, do đó chỉ làm việc với thiết bị hút bụi.

**Cửa với thanh cũ (xem hình D)**

Thanh cũ (11) cho phép cắt chính xác dọc theo cạnh phối gia công hoặc cắt các dải cùng kích thước.

Hãy nhả bu-long tai hông (8) và đẩy thước đo của thanh cũ (11) qua đường dẫn vào chân đế khuôn bao (14). Hãy đặt chiều rộng cắt mong muốn dưới dạng giá trị thang đo ở vạch cắt tương ứng (10) hoặc (9), xem phần „Các vạch cắt“. Hãy vận chặt lại bu-long tai hông (8).

**Cửa với dưỡng phụ (xem hình E)**

Để cửa vật gia công rộng bản hoặc có cạnh thẳng, dùng ván hay thanh nẹp kẹp vào vật gia công như là một dưỡng phụ; có thể đẩy chân đế của cửa đĩa tựa dọc theo dưỡng phụ.

**Bảo Dưỡng và Bảo Quản****Bảo Dưỡng Và Làm Sạch**

- ▶ Trước khi tiến hành bất cứ việc gì trên máy, kéo phích cắm điện nguồn ra.
- ▶ Để được an toàn và máy hoạt động đúng chức năng, luôn luôn giữ máy và các khe thông gió được sạch.

Nếu như cần phải thay dây dẫn điện thì công việc này phải do hãng **Bosch**, hay một đại lý được **Bosch** ủy nhiệm thực hiện để tránh gặp sự nguy hiểm do mất an toàn.

Chắn đàn hồi bảo vệ lưỡi phải luôn luôn có thể chuyển động tự do, co thắt tự động. Vì vậy, luôn luôn giữ cho phạm vi chung quanh chắn bảo vệ lưỡi đàn hồi được sạch. Làm sạch bụi và dăm bằng bàn chải.

Lưỡi cửa không được phủ ngoài, có thể bảo vệ được bằng cách dùng loại dầu nhờn không axit phủ một lớp mỏng chống gỉ sét lên. Phải lau sạch dầu nhờn lại trước khi sử dụng, nếu không, sẽ làm gỗ bị bẩn.

Cặn nhựa và keo dính trên lưỡi cửa tạo ra đường cắt có chất lượng tối. Vì vậy, làm sạch lưỡi cửa ngay sau mỗi lần sử dụng.

**Dịch vụ hỗ trợ khách hàng và tư vấn sử dụng**

Bộ phận phục vụ hàng sau khi bán của chúng tôi trả lời các câu hỏi liên quan đến việc bảo dưỡng và sửa chữa các sản phẩm cũng như phụ tùng thay thế của bạn. Sơ đồ mô tả và thông tin về phụ tùng thay thế cũng có thể tra cứu theo dưới đây:

**www.bosch-pt.com**

Đội ngũ tư vấn sử dụng của Bosch sẽ giúp bạn giải đáp các thắc mắc về sản phẩm và phụ kiện.

Trong tất cả các phản hồi và đơn đặt phụ tùng, xin vui lòng luôn luôn nhập số hàng hóa 10 chữ số theo nhãn của hàng hóa.

**Việt Nam**

CN CÔNG TY TNHH BOSCH VIỆT NAM TẠI TP.HCM  
Tầng 14, Ngôi Nhà Đức, 33 Lê Duẩn  
Phường Bến Nghé, Quận 1, Thành Phố Hồ Chí Minh  
Tel.: (028) 6258 3690  
Fax: (028) 6258 3692 - 6258 3694  
Hotline: (028) 6250 8555  
Email: tuvankhachhang-pt@vn.bosch.com  
www.bosch-pt.com.vn  
www.baohanhbosch-pt.com.vn

**Xem thêm địa chỉ dịch vụ tại:**

www.bosch-pt.com/serviceaddresses

**Sự thải bỏ**

Máy, linh kiện và bao bì phải được phân loại để tái chế theo hướng thân thiện với môi trường.



Không được thải bỏ dụng cụ điện vào chung với rác sinh hoạt!

مخصص للاستعمال الخارجي من خطر الصدمات الكهربائية.

◀ **إن لم يكن بالإمكان تجنب تشغيل العدة الكهربائية في الأجواء الرطبة، فاستخدم مفتاح للوقاية من التيار المتخلف.** إن استخدام مفتاح للوقاية من التيار المتخلف يقلل خطر الصدمات الكهربائية.

#### أمان الأشخاص

◀ **كن يقظا وانتبه إلى ما تفعله واستخدم العدة الكهربائية بتعقل.** لا تستخدم عدة كهربائية عندما تكون متعبا أو عندما تكون تحت تأثير المخدرات أو الكحول أو الأدوية. عدم الانتباه للحظة واحدة عند استخدام العدة الكهربائية قد يؤدي إلى إصابات خطيرة.

◀ **قم لارتداء تجهيزات الحماية الشخصية.** وارتد دائما نظارات واقية. يعد ارتداء تجهيزات الحماية الشخصية، كقناع الوقاية من الغبار وأحذية الأمان الواقية من الانزلاق والوذو أو واقية الأذنين، حسب ظروف استعمال العدة الكهربائية، من خطر الإصابة بجروح.

◀ **تجنب التشغيل بشكل غير مقصود.** تأكد من كون العدة الكهربائية مطفأة قبل توصيلها بالتيار الكهربائي و/أو بالمركم، وقبل رفعها أو حملها. إن كنت تضع إصبعك على المفتاح أثناء حمل العدة الكهربائية أو إن وصلت الجهاز بالشبكة الكهربائية بينما لامفتاح على وضع التشغيل، قد يؤدي إلى وقوع الحوادث.

◀ **انزع أداة الضبط أو مفتاح الربط قبل تشغيل العدة الكهربائية.** قد تؤدي الأداة أو المفتاح المتواجد في جزء دوار من الجهاز إلى الإصابة بجروح.

◀ **تجنب أوضاع الجسم غير الطبيعية.** قف بأمان وحافظ على توازنك دائما. سيسمح لك ذلك بالتمكّن في الجهاز بشكل أفضل في المواقف الغير متوقعة.

◀ **قم بارتداء ثياب مناسبة.** لا ترتد الثياب الفضفاضة أو الملّية. احرص على إبقاء الشعر والملابس بعيدا عن الأجزاء المتحركة. قد تتشابك الثياب الفضفاضة والملّية والشعر الطويل بالأجزاء المتحركة.

◀ **إن جاز تركيب تجهيزات شفط وتجميع الغبار، فتأكد من أنها موصولة وبأنه يتم استخدامها بشكل سليم.** قد يقلل استخدام تجهيزات لشفط الغبار من المخاطر الناتجة عن الغبار.

◀ **لا تستخدم العدة الكهربائية بلا مبالاة وتجاهل قواعد الأمان الخاصة بها نتيجة لتعودك على استخدام العدة الكهربائية وكثرة استخدامها.** فقد يتسبب الاستخدام دون حرص في حدوث إصابة بالغة تحدث في أجزاء من الثانية.

حسن معاملة واستخدام العدد الكهربائية

◀ **لا تفرط بتحميل الجهاز.** استخدم لتفنيذ أشغالك العدة الكهربائية المخصصة لذلك. إنك تعمل بشكل أفضل وأكثر أماناً بواسطة العدة الكهربائية الملائمة في مجال الأداء المذكور.

◀ **لا تستخدم العدة الكهربائية إن كان مفتاح تشغيلها تالف.** العدة الكهربائية التي لم يعد من

## عربي

### إرشادات الأمان

#### الإرشادات العامة للأمان بالعدد الكهربائية

##### تحذير

اطلع على كافة تحذيرات الأمان والتعليمات والصور والمواصفات المرفقة بالعدة الكهربائية. عدم اتباع التعليمات الواردة أدناه قد يؤدي إلى حدوث صدمة كهربائية، إلى نشوب حريق و/أو الإصابة بجروح خطيرة.

احتفظ بجميع الملاحظات التحذيرية والتعليمات للمستقبل.

يقصد بمصطلح «العدة الكهربائية» المستخدم في الملاحظات التحذيرية، العدد الكهربائي الموصولة بالشبكة الكهربائية (بواسطة كابل الشبكة الكهربائية) وأيضا العدد الكهربائي المزودة بمركم (دون كابل الشبكة الكهربائية).

##### الأمان بمكان الشغل

◀ **حافظ على نظافة مكان شغلك وإضاءته بشكل جيد.** الفوضى في مكان الشغل ونطاقات العمل غير المضاءة قد تؤدي إلى وقوع الحوادث.

◀ **لا تشغل بالعدة الكهربائية في نطاق معرض لخطر الانفجار مثل الأماكن التي تتوفر فيه السوائل أو الغازات أو الأبخرة القابلة للاشتعال.** العدد الكهربائي تولد شررا قد يتطاير، فيشعل الأبخرة والأبخرة.

◀ **حافظ على بقاء الأطفال وغيرهم من الأشخاص بعيدا عندما تستعمل العدة الكهربائية.** تشتيت الانتباه قد يتسبب في فقدان السيطرة على الجهاز.

##### الأمان الكهربائي

◀ **يجب أن يتلائم قابس العدة الكهربائية مع المقبس.** لا يجوز تغيير القابس بأي حال من الأحوال. لا تستعمل القوابس المهائية مع العدد الكهربائية المؤرضة (ذات طرف أرضي). تخفّض القوابس التي لم يتم تغييرها والمقابس الملائمة من خطر الصدمات الكهربائية.

◀ **تجنب ملامسة جسمك للأسطح المؤرضة كالأنابيب والمبردات والمواقد أو التلّاجات.** يزداد خطر الصدمات الكهربائية عندما يكون جسمك مؤرض أو موصل بالأرضي.

◀ **أبعد العدة الكهربائية عن الأمطار أو الرطوبة.** يزداد خطر الصدمات الكهربائية إن تسرب الماء إلى داخل العدة الكهربائية.

◀ **لا تسيّ استعمال الكابل.** لا تستخدم الكابل في حمل العدة الكهربائية أو سحبها أو سحب القابس من المقبس. احرص على إبعاد الكابل عن الحرارة والزيت والحواف الحادة أو الأجزاء المتحركة. تزيد الكابلات التالفة أو المتشابكة من خطر الصدمات الكهربائية.

◀ **عند استخدام العدة الكهربائية خارج المنزل اقتصر على استخدام كابلات التمديد الصالحة للاستعمال الخارجي.** يقلل استعمال كابل تمديد

- ◀ لا تمسك أبداً بقطعة الشغل في يدك أو بين ساقيك أثناء عملية القطع. احرص على تثبيت قطعة الشغل على منصة عمل ثابتة. من المهم سند قطعة الشغل بشكل مناسب لتقليل تعرض الجسم للخطر أو إعاقة النصل أو فقدان السيطرة.
- ◀ أمسك العدة الكهربائية من أسطح المسك المعزولة، عند القيام بعمل قد يترتب عليه ملامسة أداة القطع لأسلاك كهربائية غير ظاهرة أو لسلك الكهرباء الخاص بالعدة نفسها. قد يتسبب لمس سلك «مكهرب» في مرور التيار في الأجزاء المعدنية من العدة وجعلها «مكهربة» مما قد يصيب المشغل بصدمة كهربائية.
- ◀ عند شق قطعة من الخشب استخدم دائماً حاجر متوازي أو دليل بحافة مستقيمة. يزيد ذلك من دقة القطع ويقلل احتمالية تعرض النصل للإعاقة.
- ◀ احرص دائماً على استخدام أنصال ذات شكل ومقاس صحيحين (ماسي مقابل مستدير) للتجاويف الوسطى. النصل غير المناسبة لأجزاء تركيب المنشار ستدور بشكل حائد عن المركز مما يتسبب في فقدان التحكم.
- ◀ لا تستخدم وردات نصل أو برغي تالف أو غير صحيح. تم تصميم وردات النصل والبرغي خصيصاً لمنشارك، للحصول على أفضل أداء وأمان أثناء العمل.

#### أسباب الصدمة الارتدادية والتحذيرات المتعلقة بها

- الصدمة الارتدادية هي رد فعل مفاجئ لتعثر نصل المنشار أو انمشاره أو محارزته بشكل خاطئ، مما يتسبب في فقدان السيطرة على المنشار وتحركه إلى أعلى بعيداً عن قطعة الشغل في اتجاه المشغل،
- في حالة تعثر النصل أو انمشاره بقوة عند نهاية الشق، يتوقف النصل ويدفع رد فعل الموتور الوحيدة بسرعة إلى الخلف في اتجاه المشغل،
- في حالة التواء النصل أو خطأ محارزته مع خط القطع فقد تدخل أسنان الحافة الخلفية للنصل في السطح العلوي للخشب مما يتسبب في خروج النصل من الشق وارتداده في اتجاه المشغل.
- تعتبر الصدمة الارتدادية نتيجة للاستخدام الخاطئ للمنشار و/أو لخطوات تشغيل غير صحيحة أو لظروف غير ملائمة، ويمكن تجنبها عن طريق أخذ الاحتياطات المناسبة المبينة أدناه.

- ◀ احرص دائماً على إحكام مسك المنشار بيدك الأثنتين، وعلى وضعية أذرع تتبع لك مقاومة القوى الارتدادية. قف على أحد جانبي النصل، ولا تقف في خط واحد معه. قد تتسبب الصدمة الارتدادية في اندفاع المنشار للخلف إلا أنه يمكن للمشغل السيطرة على القوى الارتدادية في حالة اتخاذه الاحتياطات المناسبة.
- ◀ في حالة تعرض النصل للإعاقة أو في حالة إيقافك لعملية القطع لأي سبب من الأسباب، اترك الزناد وقم بإيقاف المنشار داخل الخامة إلى أن يتوقف النصل تماماً. لا تحاول أبداً جذب المنشار من قطعة الشغل أو شده للخلف بينما النصل في حالة حركة أو معرض لصدمة ارتدادية. ابدأ عن السبب وقم بإجراءات تصحيحية لإزالة سبب تعرض النصل للإعاقة.

- الممكن التحكم بها عن طريق مفتاح التشغيل والإطفاء تعتبر خطيرة ويجب أن يتم إصلاحها.
  - ◀ اسحب القابس من المقبس و/أو اخلع المركم، إذا كان قابلاً للخلع، قبل ضبط الجهاز وقبل استبدال الملحقات أو قبل تخزين الجهاز. تمنع هذه الإجراءات وقائية تشغيل العدة الكهربائية بشكل غير مقصود.
  - ◀ احتفظ بالعدد الكهربائية التي لا يتم استخدامها بعيداً عن متناول الأطفال. لا تسمح باستخدام العدة الكهربائية لمن لا خبرة له بها أو لمن لم يقرأ تلك التعليمات. العدد الكهربائية خطيرة إن تم استخدامها من قبل أشخاص دون خبرة.
  - ◀ اعتن بالعدد الكهربائية والملحقات بشكل جيد. تأكد أن أجزاء الجهاز المتحركة مركبة بشكل سليم وغير مستعصية عن الحركة، وتفحص ما إن كانت هناك أجزاء مكسورة أو في حالة تؤثر على سلامة أداء العدة الكهربائية. ينبغي إصلاح هذه الأجزاء التالفة قبل إعادة تشغيل الجهاز. الكثير من الموادث مصدرها العدد الكهربائية التي تتم صيانتها بشكل رديء.
  - ◀ احرص على إبقاء عدد القطع نظيفة وحادة. إن عدد القطع ذات حواف القطع المادة التي تم صيانتها بعناية تتكلم بشكل أقل ويمكن توجيهها بشكل أيسر.
  - ◀ استخدم العدد الكهربائية والتوابع وريش الشغل إلخ. وفقاً لهذه التعليمات. تراعى أثناء ذلك ظروف الشغل والعمل المراد تنفيذه. استخدام العدد الكهربائية لغير الأشغال المخصصة لأجلها قد يؤدي إلى حدوث الحالات الخطيرة.
  - ◀ احرص على إبقاء المقابض وأسطح المسك جافة ونظيفة وخالية من الزيوت والشحوم. المقابض وأسطح المسك الزلقة لا تتبع التشغيل والتحكم الآمن في العدة في المواقف غير المتوقعة.
- #### الخدمة
- ◀ احرص على إصلاح عدتك الكهربائية فقط بواسطة العمال المتخصصين وباستعمال قطع الغيار الأصلية فقط. يضمن ذلك المحافظة على أمان الجهاز.
- #### إرشادات الأمان للمنشار الدائرية
- ##### خطوات القطع
- ⚠ خطر: أبعد يديك عن حيز القطع وعن النصل. ضع يدك الأخرى على المقبض الإضافي، أو علب الموتور. إذا كانت اليدين تمسكان بالمنشار فلن تتعرضا للإصابة من جراء النصل.
  - ◀ لا تستمر في القطع حتى تصل إلى أسفل قطعة الشغل. لا يمكن لغطاء الوقاية أن يحميك من النصل أسفل قطعة الشغل.
  - ◀ اضبط عمق القطع ليناسب سمك قطعة الشغل. ينبغي أن يظهر أقل من سن كامل من أسنان النصل أسفل قطعة الشغل.



- ◀ **إرشادات الأمان الإضافية**
- ◀ لا تدخل يدك في مقذف النشارة. فقد تتعرض للإصابة من جراء الأجزاء الدوارة.
- ◀ لا تعمل بالمنشار فوق مستوى الرأس. فعندئذ لا يُتاح لك السيطرة الكافية على العدة الكهربائية.
- ◀ استخدم أجهزة تنقيب ملائمة للثور على خطوط الامداد غير الظاهرة، أو استعن بشركة الامداد المحلية. ملازمة الخطوط الكهربائية قد تؤدي إلى اندلاع النار وإلى الصدمات الكهربائية. حدوث أضرار بخط الغاز قد يؤدي إلى حدوث انفجارات. اختراق خط الماء يشكل الأضرار المادية أو قد يؤدي إلى الصدمات الكهربائية.
- ◀ أمسك العدة الكهربائية جيداً بكلتا يديك عند العمل، واحرص على أن تكون في وضعية ثابتة. يتم توجيه العدة الكهربائية بأمان بواسطة اليدين الأيمنتين.
- ◀ لا تقم بتشغيل العدة الكهربائية من وضع ثابت. فهي ليست مصممة للتشغيل على قاعدة المنشار.
- ◀ احرص أثناء «القطع الغاطس»، الذي يتم بزاوية غير قائمة، على تأمين اللوح الدليلي للمنشار ضد التحرك الجانبي. فقد يؤدي التحرك الجانبي إلى انحصار شفرة المنشار وبالتالي حدوث ارتداد.
- ◀ احرص على تأمين قطعة الشغل. قطعة الشغل المثبتة بواسطة تجهيزه شدّ أو بواسطة الملزمة مثبتة بأمان أكبر مما لو تم الإمساك بها بواسطة يدك.
- ◀ انتظر إلى أن تتوقف العدة الكهربائية عن الحركة قبل أن تضعها جانباً. قد تتكلم عدة الشغل فتؤدي إلى فقدان السيطرة على العدة الكهربائية.
- ◀ لا تستخدم نصال المنشار المصنوعة من الفولاذ HSS. فتصالح المنشار هذه قد تنكسر بسهولة.
- ◀ لا تقم بنشر خامات حديدية. فقد تتسبب النشارة المتوهجة في إشعال الأتربة المشفوفة.
- ◀ قم بارتداء قناع للوقاية من الغبار.

## وصف المنتج والأداء

- ◀ اقرأ جميع إرشادات الأمان والتعليمات. ارتكاب الأخطاء عند تطبيق إرشادات الأمان والتعليمات، قد يؤدي إلى حدوث صدمات كهربائية أو إلى نشوب الحرائق و/أو الإصابة بجروح خطيرة.
- ◀ يرجى الرجوع إلى الصور الموجودة في الجزء الأول من دليل التشغيل.



## الاستعمال المخصص

العدة الكهربائية مخصصة لتنفيذ القطوع الطولية والعرضية بالأسناد الثابت وبمسار مستقيم ومائل بالخشب. غير مسموح بمعالجة المعادن الحديدية.

- ◀ في حالة إعادة تشغيل المنشار داخل قطعة العمل احرص على مركزة النصل في الشق بحيث تكون أسنان المنشار غير متشابكة مع الخامة. في حالة تعرض النصل للإعاقة فقد يتحرك لأعلى أو يسبب صدمة ارتدادية من قطعة الشغل عند إعادة تشغيل النصل.
- ◀ احرص على سند الألواح الكبيرة لتقليل مخاطر تعثر النصل أو الصدمة الارتدادية. تميل الألواح الكبيرة للهبوط نتيجة لوزنها الكبير. يجب وضع سنادات تمت اللوح على الجانبين بالقرب من خط القطع وبالقرب من حافة اللوح.
- ◀ لا تستخدم أنصال ثالثة أو ثقيلة الحركة. الأنصال غير الحادة والمضبوطة بشكل غير صحيح تتسبب في شقوق ضيقة مما يسبب احتكاك إضافي، وبالتالي تعرض النصل للإعاقة والصدمة الارتدادية.
- ◀ يجب أن تكون أذرع تأمين ضبط عمق النصل وميل القطع مشدودة بثبات قبل القيام بالقطع. في حالة تحرك ضابط النصل أثناء القطع فقد يتسبب في إعاقة أو صدمة ارتدادية.
- ◀ تصرف بحرص شديد عند استخدام المنشار في الجدران أو المناطق البارز التي يتعدز رؤيتها. فقد يقوم النصل البارز بقطع أجسام تتسبب في حدوث صدمة ارتدادية.

## وظيفة غطاء الوقاية السفلي

- ◀ افحص غطاء الوقاية السفلي قبل كل استخدام من حيث الغلق بشكل سليم. لا تقم بتشغيل المنشار إذا لم يكن غطاء الوقاية السفلي حر الحركة ويمكن غلقه على الفور. لا تقم أبداً بقمط أو ربط غطاء الوقاية السفلي في وضع الفتح. في حالة سقوط المنشار فقد يتعرض غطاء الوقاية السفلي للانبثاق. ارفع غطاء الوقاية السفلي باستخدام المقبض القابل للإدخال وتأكد أنه حر الحركة ولا يلامس النصل أو أي جزء آخر في كافة زوايا وأعماق القطع.
- ◀ افحص عمل نابض غطاء الوقاية السفلي. إذا كان غطاء الوقاية والنابض لا يعملان بشكل مناسب، يجب إجراء أعمال الخدمة عليهم قبل الاستخدام. قد يعمل غطاء الوقاية السفلي ببطء نتيجة لوجود أجزاء تالفة أو رواسب ملتصقة أو لتراكم الشوائب.

- ◀ يمكن إدخال غطاء الوقاية السفلي يدوياً مع بعض أنواع القطع الخاصة مثل «القطوع الغاطسة» و«القطوع المدمجة». ارفع غطاء الوقاية السفلي عن طريق سحب المقبض، وبمجرد وصول النصل إلى الخامة، يجب ترك غطاء الحماية السفلي. بالنسبة لجميع أعمال القطع الأخرى يجب أن يعمل غطاء الوقاية السفلي بشكل أوتوماتيكي.

- ◀ تأكد أن غطاء الوقاية السفلي يغطي النصل قبل وضع المنشار لأسفل على الطاولة أو على الأرضية. النصل المستمر في الدوران غير المغطى قد يتسبب في تحرك المنشار للخلف ليقطع أي شيء في طريقه. انتبه للوقت الذي يستغرقه النصل حتى يتوقف بعد ترك المفتاح.

## الأجزاء المصورة

يشير ترقيم الأجزاء المصورة إلى رسوم العدة الكهربائية الموجودة في صفحة الرسوم التخطيطية.

- (1) غطاء وقاية  
(2) زر تثبيت مفتاح التشغيل والإطفاء  
(3 601 EA2 0K./3 601 EA2 0L./3 601 EA2 0F.)  
(2) قفل تشغيل مفتاح التشغيل والإطفاء  
(3 601 EA2 08./3 601 EA2 0B./3 601 EA2 04./3 601 EA2 00./3 601 EA2 07.)  
(3) مفتاح التشغيل والإطفاء  
(4) مقبض إضافي  
(5) زر تثبيت محور الدوران  
(6) مقياس زوايا الشطب المائلة  
(7) لولب مجنح لاختيار زاوية الشطب مسبقا  
(8) لولب مجنح لمصد التوازي  
(9) علامة القطع 45°  
(10) علامة القطع 0°  
(11) مصد التوازي
- (12) غطاء وقاية متأرجح  
(13) ذراع ضبط غطاء الوقاية المتأرجح  
(14) صفيحة القاعدة  
(15) لولب مجنح لاختيار زاوية الشطب مسبقا  
(16) مقذف النشارة  
(17) مفتاح سداسي الرأس المجوف  
(18) لولب شد مع وردة  
(19) شفة شد  
(20) نصل المنشار الدائري<sup>(a)</sup>  
(21) فلانشة التثبيت  
(22) محور دوران المنشار  
(23) لولب تثبيت مهائئ الشفط<sup>(a)</sup>  
(24) مهائئ الشفط<sup>(a)</sup>  
(25) ذراع شد لضبط عمق القطع مسبقا  
(26) مقياس عمق القطع  
(27) زوج ملازم<sup>(a)</sup>  
(28) مقبض (مقبض مسك معزول)
- (a) لا يتضمن إطار التوريد الاعتيادي التوابع المصورة أو المشروحة. تجد التوابع الكاملة في برنامجنا للتوابع.

## البيانات الفنية

GKS 9	GKS 235 Turbo	GKS 235 Turbo	منشار دائري يدوي	رقم الصنف
3 601 EA2 00. 3 601 EA2 07.	3 601 EA2 0B.	3 601 EA2 0..		
2050	2050	2050	واط	قدرة الدخل الاسمية
5300	5300	5300	دقيقة <sup>1</sup>	عدد اللفات اللاحملي
3500	3500	3500	دقيقة <sup>1</sup>	أقصى عدد لفات حملي
				عمق القطع الأقصى
85	85	85	مم	- مع زاوية شطب مائلة 0°
65	65	65	مم	- مع زاوية شطب مائلة 45°
●	●	●		قفل محور الدوران
383 x 170	383 x 170	383 x 170	مم	أبعاد صفيحة القاعدة
235	235	235	مم	أقصى قطر لشفرة المنشار
230	230	230	مم	أدنى قطر لشفرة المنشار
2,2	2,2	2,2	مم	سمك الشفرة الفولاذية الأقصى
3,2	3,2	3,2	مم	سمك/تفليح الأسنان الأقصى
2,0	2,0	2,0	مم	سمك/تفليح الأسنان الأدنى
30	25,4	25	مم	ثقب الحصن
7,6	7,6	7,6	كجم	الوزن حسب EPTA-Procedure 01:2014
II/□	II/□	II/□		فئة الحماية

تسري البيانات على جهد اسمي [U] يبلغ 230 فلتا. قد تختلف تلك البيانات حسب اختلاف الجهد والطرازات الخاصة بكل دولة.

يفي الجهاز بمتطلبات المواصفة IEC 61000-3-11 وهو عرضة للتوصيل المشروط. يمكن أن يؤدي الجهاز إلى تقلبات عرضية في الجهد في ظل ظروف الطاقة الكهربائية غير المواتية. تم ضبط مقاومة هذا الجهاز بحيث تكون قيمة Z الفعالية = 0,14 أوم. يجب على المستخدم التأكد من أن نقطة الاتصال مع المقاومة Z القصوى، التي

ينبغي توصيل القابس بها تفي بمتطلبات المقاومة: Z الفعلية ≤ Z القصى. إذا كانت قيمة Z القصى غير معروفة، فقم بتحديد قيمة Z القصى بالتشاور مع شركة الإمداد بالكهرباء أو الهيئة الحكومية للإمداد بالكهرباء.

## شفط الغبار/النشارة

- إن غبار بعض المواد كالطلاء الذي يحتوي على الرصاص، وبعض أنواع الخشب والفلزات والمعادن، قد تكون مضرّة بالصحة. إن ملامسة أو استنشاق غبار قد يؤدي إلى أعراض حساسية و/أو إلى أمراض الجهاز التنفسي لدى المستخدم أو لدى الأشخاص المتواجدين على مقربة من المكان.
- تعتبر بعض الأعبرة المعينة، كأعبرة البلوط والزنان، مسببة للسرطان، ولا سيما عند الارتباط بالمواد الإضافية لمعالجة الخشب (ملح جامض الكروميك، المواد الحافظة للخشب). يجوز أن يتم معالجة المواد التي تنتمي على الأسيستوس من قبل العمال المتخصصين فقط دون غيرهم.
- استخدم شافطة غبار ملائمة للمادة قدر الإمكان.
- حافظ على تهوية مكان الشغل بشكل جيد.
- ينصح بارتداء قناع ووقاية للتنفس بفئة المرشح P2.
- تراعى الأحكام السارية في بلدكم بالنسبة للمواد المرغوب معالجتها.
- ◀ **تجنب تراكم الغبار بمكان العمل.** يجوز أن تشتعل الأعبرة بسهولة.

### تركيب مهائى (انظر الصورة B)

- أدخل مهائى الشفط (24) في مقذف النشارة (16) إلى أن يثبت. قم بشكل إضافي بتأمين مهائى الشفط (24) باستخدام اللولب (23).
- يمكن توصيل مهائى الشفط (24) بخرطوم شفط يبلغ قطره 35 مم.
- ◀ **لا يجوز تركيب مهائى الشفط إن لم يتم توصيل شافطة خارجية.** وإلا فقد تسد قناة الشفط.
- ◀ **لا يجوز توصيل كيس الغبار بمهائى الشفط.** وإلا فقد يتعرض نظام الشفط للانسداد.
- ينبغي تنظيف مهائى الشفط (24) بشكل منتظم لتأمين عملية شفط مثالية.

### الشفط الخارجي

- يمكن توصيل العدة الكهربائية مباشرة بمقبس شافطة بوش الخوائية المتعددة الاستعمال المزودة بتجهيز التشغيل عن بعد. ويتم تشغيلها بشكل آلي عند تشغيل العدة الكهربائية.
- يجب أن تصلع شافطة الغبار الخوائية للاستعمال مع مادة الشغل المرغوب معالجتها.
- استخدم شافطة غبار خوائية خاصة عند شفط الأعبرة المضرّة بالصحة أو المسببة للسرطان أو الشديدة الجفاف.
- في ألمانيا يلزم استخدام تجهيزات شفط مختبرة وفقاً لقواعد TRGS 553 مع غبار الخشب، ولا يجوز استخدام تجهيز الشفط الذاتي في المجال الصناعي. بالنسبة للخامات الأخرى ينبغي أن يستوضع المشغل الصناعي من الرابطة المهنية عن المتطلبات الخاصة بها.

## التشغيل

- ◀ **اسحب القابس من مقبس الشبكة الكهربائية قبل إجراء أي عمل على العدة الكهربائية.**

## التركيب

- ◀ **استخدم فقط نصال المنشار التي تزيد سرعتها القصى المسموحة عن عدد الدوران اللاحملي بالعدة الكهربائية.**

### تركيب/استبدال نصل المنشار الدائري

- ◀ **اسحب القابس من مقبس الشبكة الكهربائية قبل إجراء أي عمل على العدة الكهربائية.**
- ◀ **ارتد قفازات واقية عند تركيب نصل المنشار.** يؤدي ملامسة نصل المنشار إلى تشكل خطر الإصابة بجروح.
- ◀ **لا تستخدم أقراص التخليج كعدد شغل أبدا.**
- ◀ **استخدم فقط أنصال المنشار التي توافق البيانات المذكورة في دليل الاستعمال هذا وعلى العدة الكهربائية.**

### اختيار نصل المنشار

تجد في نهاية هذا الدليل عرضاً عاماً لأنصال المنشار الموصى بها.

### فك نصل المنشار (انظر الصورة A)

- يفضل وضع العدة الكهربائية على الجهة الجيبية لهيكل المحرك من أجل استبدال العدد.
- اضغط على زر تثبيت محور الدوران (5) واحتفظ به مضغوطاً.
- ◀ **اضغط زر تثبيت محور الدوران (5) فقط عندما يكون محور دوران المنشار متوقفاً عن الحركة.** وإلا، فقد تتعرض العدة الكهربائية للضرر.
- باستخدام مفتاح سداسي الرأس الموقوف (17) أدر لولب الشد (18) في اتجاه الدوران ① لفكته.
- حرك غطاء الوقاية المتأرجح (12) إلى الخلف وثبته.
- اخلع فلانشة الشد (19) ونصل المنشار (20) من بريمة المنشار (22).

### تركيب شفرة المنشار (انظر الصورة A)

- يفضل وضع العدة الكهربائية على الجهة الجيبية لهيكل المحرك من أجل استبدال العدد.
- قم بتنظيف نصل المنشار (20) وجميع الأجزاء المراد تركيبها.
- حرك غطاء الوقاية المتأرجح (12) إلى الخلف وثبته.
- قم بتركيب نصل المنشار (20) على فلانشة التثبيت (21). يجب أن يتطابق اتجاه قص الأسنان (اتجاه السهم على نصل المنشار) مع سهم اتجاه الدوران على غطاء الحماية (1).
- قم بتركيب فلانشة التثبيت (19) وقم بربط لولب الشد (18) في اتجاه الدوران ②. احرص على وضع التثبيت الصحيح لفلانشة التثبيت (21) وفلانشة الشد (19).
- اضغط على زر تثبيت محور الدوران (5) واحتفظ به مضغوطاً.
- باستخدام مفتاح سداسي الرأس الموقوف (17) اربط لولب الشد (18) في اتجاه الدوران ②. ينبغي أن يبلغ عزم الربط 10-12 نيوتن متر، وهذا يماثل إحكام الربط اليدوي بالإضافة إلى ¼ لفة.

## طرق التشغيل

### ضبط عمق القطع (انظر الصورة C)

◀ **قم بمواءمة عمق القطع مع سمك قطعة الشغل.** ينبغي أن يقل ما يمكن رؤيته تحت قطعة الشغل عن ارتفاع السن الكامل.

قم بفك ذراع الشد (25). بالنسبة لأعماق القطع الصغيرة إخلع المنشار من صفيحة القاعدة (14) بالنسبة لأعماق القطع الكبيرة، اضغط المنشار في اتجاه صفيحة القاعدة (14). اضبط المقاس المرغوب في مقياس عمق القطع. أحكم ربط ذراع الشد (25) مرة أخرى.

يمكن ضبط قوة شد ذراع الشد (25) بشكل لاحق. فك ذراع الشد (25) من أجل ذلك ثم أعد ربطها بإحكام بعد إمالتها بمقدار 30 درجة على الأقل بعكس اتجاه دوران عقارب الساعة.

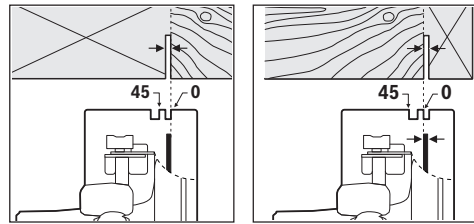
### ضبط زوايا الشطب المائلة

يفضل وضع العدة الكهربائية على جهة غطاء الوقاية الجبهية (1).

قم بفك اللولب المجنحة (7) و (15). اقلب المنشار إلى الجانب. اضبط المقاس المرغوب في التدرج (6) أعد ربط اللولبين المجنحين (7) و (15) مرة أخرى.

**إرشاد:** عند إجراء قطوع الشطب المائلة يكون عمق القطع أصغر من القيمة المشار إليها على مقياس عمق القطع (26).

### علامات القطع



وتبين علامة القطع 0° (10) وضع نصل المنشار في حالة القطع بزوايا قائمة. وتبين علامة القطع 45° (9) وضع نصل المنشار في حالة القطع بزوايا 45°.

ركز المنشار الدائري على قطعة الشغل كما يظهر ذلك في الصورة، من أجل الحصول على خط قطع دقيق. يفضل إجراء نشر تجريبي.

### بدء التشغيل

◀ **يراعى جهد الشبكة الكهربائية! يجب أن يتطابق جهد منبع التيار مع البيانات المذكورة على لوحة صنع العدة الكهربائية. يمكن أن يتم تشغيل العدد الكهربائية المميزة بعلامة 230 فلت في مقياس 220 فلت أيضاً.**

### التشغيل والإيقاف

◀ **تأكد أنه بإمكانك الضغط على زر التشغيل/الإيقاف دون ترك المقبض اليدوي.**

3 601 EA2 0F./3 601 EA2 0L./3 601 EA2 0K.

لغرض تشغيل العدة الكهربائية اضغط على مفتاح التشغيل والإطفاء (3) وحافظ على إبقائه مضغوطاً.

لغرض تثبيت مفتاح التشغيل/الإطفاء المضغوط (3) اضغط على زر التثبيت (2).

لغرض إطفاء العدة الكهربائية اترك مفتاح التشغيل والإطفاء (3) أو إذا كان مثبتاً عن طريق زر التثبيت (2) اضغط على مفتاح التشغيل والإطفاء (3) لوهلة قصيرة ثم اتركه.

3 601 EA2 08./3 601 EA2 0B./

3 601 EA2 04./3 601 EA2 00./

:3 601 EA2 07.

لغرض تشغيل العدة الكهربائية، اضغط أولاً على قفل التشغيل (2) واضغط بعدها على مفتاح التشغيل والإطفاء (3) واحتفظ به مضغوطاً.

لغرض إيقاف العدة الكهربائية اترك مفتاح التشغيل والإيقاف (3).

**ملحوظة** لا يمكن تثبيت مفتاح التشغيل والإطفاء (3) لأسباب متعلقة بالأمان، بل يجب أن يتم ضغطه طوال فترة التشغيل.

### إرشادات العمل

◀ **اسحب القابس من مقبس الشبكة الكهربائية قبل إجراء أي عمل على العدة الكهربائية.**

يختلف عرض القطع حسب شفرة المنشار.

ينبغي وقاية نصال المنشار من الصدمات والطرقات. قم بتوجيه العدة الكهربائية بشكل متزن وبضغط خفيف في اتجاه القطع. الدفع الأمامي الزائد يقلل إلى حد كبير من العمر الافتراضي لعدد الشغل ويمكن أن يسبب أضرار بالعدة الكهربائية.

تتعلق قدرة النشر وجودة القطع بشكل كبير بحالة وبشكل أسنان نصل المنشار، لذلك ينبغي استخدام نصال المنشار الحادة والملائمة للمادة المرغوب معالجتها فقط.

### نشر الخشب

يتعلق اختيار نصل المنشار الملائم بنوع الخشب وبجودة الخشب وإن كان من المطلوب إجراء القطوع الطولية أو العرضية.

في عمليات القطع الطولي في خشب الصنوبر تنشأ نشارة طويلة ولولبية الشكل.

إن أغبرة الزان والبلوط شديدة الضرر بالصحة، لذلك ينبغي العمل فقط بالاتصال مع شاقطة للأغبرة.

**النشر مع مصد التوازي (انظر الصورة D)**

يسمح مصد التوازي (11) بإجراء القطوع الدقيقة على مسار حافة قطعة الشغل أو بقطع الخطوط المتساوية.

قم بمل اللولب المجنح (8) قم بتحريك تدرج مصد التوازي (11) عبر المسار الدليلي في صفيحة القاعدة (14). اضبط عرض القص المرغوب كقيمة قياسية على علامة القطع (10) أو (9)، راجع الفقرة «تعليم المقاطع». اربط اللولب المجنح (8) مرة أخرى بإحكام.

**النشر مع مصد مساعد (انظر الصورة E)**

من أجل قص قطع الشغل الكبيرة أو لقص الحواف المستقيمة يمكنك أن تثبت لوح خشبي أو عارضة كمصد مساعد على قطعة الشغل، لتوجه المنشار الدائري بواسطة صفيحة القاعدة على مسار المصد المساعد.

## الصيانة والخدمة

### الصيانة والتنظيف

◀ اسحب القابض من مقبس الشبكة الكهربائية قبل إجراء أي عمل على العدة الكهربائية.

◀ للعمل بشكل جيد وآمن حافظ دائماً على نظافة العدة الكهربائية وفتحات التهوية.

إذا تطلب الأمر استبدال خط الإمداد، فينبغي أن يتم ذلك من قبل شركة Bosch أو من قبل مركز خدمة الزبائن المعتمد لشركة Bosch للعدد الكهربائية، لتجنب التعرض للمخاطر.

يجب أن يكون غطاء الوقاية المترجع قابلاً للحركة بطلاقة وللإغلاق من تلقاء نفسه دائماً. حافظ لأجل ذلك دائماً على نظافة النطاق الموجود حول غطاء الوقاية المتأرجح. قم بإزالة الغبار والنشارة باستخدام فرشاة.

أنصال المنشار غير المطلية يمكن حمايتها من التآكل عن طريق طبقة رقيقة من الزيت غير المحتوي على أحماض. امسح الزيت قبل البدء بالشغل وإلا فقد يتسخ المشب بالبقع.

إن بقايا الراتنج والغراء على نصال المنشار تؤدي إلى القطوع الرديئة، لذلك ينبغي تنظيف نصل المنشار فوراً بعد الاستعمال.

### خدمة العملاء واستشارات الاستخدام

يجيب مركز خدمة العملاء على الأسئلة المتعلقة بإصلاح المنتج وصيانته، بالإضافة لقطع الغيار. تجد الرسوم التفصيلية والمعلومات الخاصة بقطع الغيار في الموقع: [www.bosch-pt.com](http://www.bosch-pt.com)

يسر فريق Bosch لاستشارات الاستخدام مساعدتك إذا كان لديك أي استفسارات بخصوص منتجاتنا وملحقاتها.

يلزم ذكر رقم الصنف ذو الخانات العشر وفقاً للوحة صنع المنتج عند إرسال أية استفسارات أو طلبيات قطع غيار.

### المغرب

Robert Bosch Morocco SARL

53، شارع الملازم محمد محروود

20300 الدار البيضاء

الهاتف: +212 5 29 31 43 27

البريد الإلكتروني: [sav.outillage@ma.bosch.com](mailto:sav.outillage@ma.bosch.com)

تجد المزيد من عناوين الخدمة تحت:

[www.bosch-pt.com/serviceaddresses](http://www.bosch-pt.com/serviceaddresses)

### التخلص من العدة الكهربائية

ينبغي تسليم العدد الكهربائية والتوابع والعبوة إلى مركز معالجة النفايات بطريقة محافظة على البيئة.

لا ترم العدد الكهربائية ضمن النفايات المنزلية.



## فارسی

### دستورات ایمنی

#### نکات ایمنی عمومی برای ابزارهای برقی

##### هشدار

کلیه هشدارها،

دستورالعملها، تصاویر و

مشخصات ارائه شده به همراه ابزار برقی را

مطالعه کنید. اشتباهات ناشی از عدم رعایت این

دستورات ایمنی ممکن است باعث برق گرفتگی،

سوختگی و یا سایر جراحات های شدید شود.

کلیه هشدارهای ایمنی و راهنماییها را برای

آینده خوب نگهداری کنید.

عبارت «ابزار برقی» در هشدارها به ابزارهایی که به

پریز برق متصل میشوند (با سیم برق) و یا ابزارهای

برقی باتری دار (بدون سیم برق) اشاره دارد.

##### ایمنی محل کار

محیط کار را تمیز و روشن نگه دارید. محیطهای

در هم ریخته یا تاریک احتمال بروز حادثه را

افزایش میدهند.

ابزار برقی را در محیطهایی که خطر انفجار

وجود دارد و حاوی مایعات، گازها و بخارهای

مخترقه هستند، به کار نگیرید. ابزارهای برقی

چرقههایی ایجاد میکنند که میتوانند باعث آتش

گرفتن گرد و غبارهای موجود در هوا شوند.

هنگام کار با ابزار برقی، کودکان و سایر

افراد را از دستگاه دور نگه دارید. در

صورتیکه حواس شما پرت شود، ممکن است کنترل

دستگاه از دست شما خارج شود.

##### ایمنی الکتریکی

دوشاخه ابزار برقی باید با پریز برق تناسب

داشته باشد. هیچگونه تغییری در دوشاخه

ایجاد نکنید. مبدل دوشاخه نباید همراه با

ابزار برقی دارای اتصال زمین استفاده شود.

دوشاخههای اصل و تغییر داده نشده و پریزهای

مناسب، خطر برق گرفتگی را کاهش میدهند.

از تماس بدنی با قطعات متصل به سیم

اتصال زمین مانند لوله، شوفاژ، اجاق برقی و

یخچال خودداری کنید. در صورت تماس بدنی با

سطوح و قطعات دارای اتصال به زمین و همچنین

تماس شما با زمین، خطر برق گرفتگی افزایش

می یابد.

ابزارهای برقی را در معرض باران و رطوبت

قرار ندهید. نفوذ آب به ابزار برقی، خطر شوک

الکتریکی را افزایش میدهد.

از سیم دستگاه برای مقاصد دیگر استفاده

نکنید. هرگز برای حمل ابزار برقی، کشیدن آن

یا خارج کردن دوشاخه از سیم دستگاه

استفاده نکنید. کابل دستگاه را از حرارت،

روغن، لیبهای تیز یا قطعات متحرک دور نگه

دارید. کابلهای آسیب دیده و یا گره خورده خطر

شوک الکتریکی را افزایش میدهند.

هنگام استفاده از ابزار برقی در محیطهای باز،

تنها از کابل رابطی استفاده کنید که برای

محیط باز نیز مناسب باشد. کابل های رابط

مناسب برای محیط باز، خطر برق گرفتگی را کم می کنند.

در صورت لزوم کار با ابزار برقی در محیط و

اماکن مرطوب، باید از یک کلید حفاظتی جریان

خطا و نشستی زمین (کلید قطع کننده اتصال با

زمین) استفاده کنید. استفاده از کلید حفاظتی

جریان خطا و نشستی زمین خطر برق گرفتگی را

کاهش می دهد.

##### رعایت ایمنی اشخاص

حواس خود را خوب جمع کنید، به کار خود

دقت کنید و با فکر و هوشیاری کامل با ابزار

برقی کار کنید. در صورت خستگی و یا در

صورتی که مواد مخدر، الکل و دارو استفاده

کردهاید، با ابزار برقی کار نکنید. یک لحظه بی

توجهی هنگام کار با ابزار برقی، میتواند جرات

های شدیدی به همراه داشته باشد.

از تجهیزات ایمنی شخصی استفاده کنید.

همواره از عینک ایمنی استفاده نمایید.

استفاده از تجهیزات ایمنی مانند ماسک ضد گرد و

غبار، کفشهای ایمنی ضد لغزش، کلاه ایمنی و

گوشی محافظ متناسب با نوع کار با ابزار برقی،

خطر مجروح شدن را کاهش میدهد.

مواظب باشید که ابزار برقی بطور ناخواسته

بکار نیفتد. قبل از وارد کردن دوشاخه

دستگاه در پریز برق، اتصال آن به باتری،

برداشتن آن و یا حمل دستگاه، باید دقت

کنید که ابزار برقی خاموش باشد. در صورتی

که هنگام حمل دستگاه انگشت شما روی دکمه

قطع و وصل باشد و یا دستگاه را در حالت روشن

به برق بزنید، ممکن است سوانع کاری پیش آید.

قبل از روشن کردن ابزار برقی، همه ابزارهای

تنظیم کننده و آپارها را از روی دستگاه

بردارید. ابزار و آپارهایی که روی بخش های

چرخنده دستگاه قرار دارند، میتوانند باعث ایجاد

جرات شوند.

وضعیت بدن شما باید در حالت عادی قرار

داشته باشد. برای کار جای مطمئنی برای

خود انتخاب کرده و تعادل خود را همواره

حفظ کنید. به این ترتیب میتوانید ابزار برقی را در

وضعتهای غیر منتظره بهتر تحت کنترل داشته

باشید.

لباس مناسب بپوشید. از پوشیدن لباسهای

گشاد و حمل زینت آلات خودداری کنید.

موها و لباس خود را از بخشهای در حال

چرخش دستگاه دور نگه دارید. لباسهای گشاد،

موی بلند و زینت آلات ممکن است در قسمتهای

در حال چرخش دستگاه گیر کنند.

در صورتی که تجهیزاتی برای اتصال وسائل

مکش گرد و غبار و یا وسیله جمع کننده گرد

و غبار ارائه شده است، باید مطمئن شوید که

این وسائل درست نصب و استفاده

می شوند. استفاده از وسائل مکش گرد و غبار

مصونیت شما را در برابر گرد و غبار زیادهر کمتر میکند.

آشنایی با ابزار به دلیل کار کردن زیاد با آن

نباید باعث سهل انگاری شما و نادیده گرفتن

اصول ایمنی شود. بی دقتی ممکن است باعث

بروز جراحاتی در عرض کسری از ثانیه شود.



◀ **هرگز زیر قطعه کار را نگیرید.** قاب محافظ قادر به محافظت شما از آسیب دزدگی توسط تیغه اره در ناحیه زیر قطعه کار نمیباشد.

◀ **میزان عمق برش را با ضخامت قطعه کار متناسب و تنظیم کنید.** کمتر از ارتفاع یک دندان کامل تیغه اره باید از زیر قطعه کار قابل رؤیت باشد.

◀ **هرگز قطعه کار را هنگام برش در دستها یا روی پای خود نگه ندارید.** قطعه کار را به وسیله یک قرارگاه و یا سکوی محکم، تثبیت کنید. مهم است که قطعه کار به خوبی مهار شده باشد تا خطر تماس بدنی، گیر کردن تیغه اره و یا از دست دادن کنترل کاهش یابد.

◀ **در صورت انجام کارهایی که امکان برخورد با کابل‌های حامل جریان برق مخفی وجود دارد، ابزار برقی را از دسته عایق بگیرید.** در صورت برخورد با یک کابل حامل "جریان برق" ممکن است قسمتهای فلزی ابزار برقی حامل "جریان برق" شوند و باعث برق گرفتگی کاربر گردند.

◀ **هنگام برش همواره از یک راهنمای برش و یا راهنمای برش مستقیم برای کنارها استفاده کنید.** این کار باعث افزایش دقت میشود و احتمال شکستن تیغه را کاهش میدهد.

◀ **همواره از تیغه‌های دارای اندازه و سوراخ نگهدارنده مناسب (مثلا شکل گرد یا لوزی) استفاده کنید.** تیغه‌های که با قطعه‌های مونتاژ اره متناسب نباشند، به صورت غیر مدور حرکت میکنند و باعث از دست دادن کنترل میشوند.

◀ **هرگز از پیچ یا واشر آسیب دیده یا نامناسب استفاده نکنید.** واشرها و پیچهای مخصوص تیغه اره، برای دستیابی به عملکرد بهینه و ایمنی عملیات ساخته شده‌اند.

#### پس زدن دستگاه و هشدارهای ایمنی

- پس زدن نتیجه واکنش ناگهانی تیغه اره بلوکه شده، گیر کرده یا اشتباه هدایت شده است که باعث بلند شدن تیغه اره از قطعه کار و حرکت آن به سمت کاربر میشود؛

- چنانچه تیغه اره در شیار در حال بسته شدن تیغه اره گیر کند یا بلوکه شود، از کار میافتد و نیروی موتور، اره را به سمت کاربر پرت میکند؛

- در صورتیکه تیغه اره در محل برش بچرخد یا اشتباه هدایت شود، امکان گیر کردن دندانهای لبه عقبی تیغه اره در سطح قطعه کار وجود دارد که در این صورت تیغه اره از شیار بیرون میرود و به سمت کاربر پرت میشود.

پس زدن نتیجه استفاده نادرست از تیغه اره و/یا روشها یا شرایط کاری غیر صحیح است و با رعایت اقدامات ایمنی مناسب به شرح زیر میتوان از آن جلوگیری بعمل آورد.

◀ **اره را با هر دو دست محکم بگیرید و بازوهای خود را در حالتی قرار دهید که قادر به کنترل نیروی پس زننده دستگاه باشید.** همواره با دستگاه به نحوی کار کنید که بدن شما با تیغه اره در یک مسیر قرار نگیرد، بلکه در سطح جانبی، کنار تیغه اره قرار داشته باشد. پس زدن باعث جهش تیغه اره به عقب میشود، اما

#### استفاده صحیح از ابزار برقی و مراقبت از آن

◀ **از وارد کردن فشار زیاد روی دستگاه خودداری کنید.** برای هر کاری، از ابزار برقی مناسب با آن استفاده کنید. بکار گرفتن ابزار برقی مناسب باعث میشود که بتوانید از توان دستگاه بهتر و با اطمینان بیشتر استفاده کنید.

◀ **در صورت ایراد در کلید قطع و وصل ابزار برقی، از دستگاه استفاده نکنید.** ابزار برقی که نمی توان آنها را قطع و وصل کرد، خطرناک بوده و باید تعمیر شوند.

◀ **قبل از تنظیم ابزار برقی، تعویض متعلقات و یا کنار گذاشتن آن، دوشاخه را از برق بکشید و یا باتری آنرا خارج کنید.** رعایت این اقدامات پیشگیری ایمنی از راه افتادن ناخواسته ابزار برقی جلوگیری می کند.

◀ **ابزار برقی را در صورت عدم استفاده، از دسترس کودکان دور نگه دارید و اجازة ندهید که افراد ناوارد و یا اشخاصی که این دفترچه راهنما را نخوانده‌اند، با این دستگاه کار کنند.** قرار گرفتن ابزار برقی در دست افراد ناوارد و بی تجربه خطرناک است.

◀ **از ابزار برقی و متعلقات خوب مراقبت کنید.** مواظب باشید که قسمت های متحرک دستگاه خوب کار کرده و گیر نکنند. همچنین دقت کنید که قطعات ابزار برقی شکسته و یا آسیب دیده نباشند. قطعات آسیب دیده را قبل از شروع به کار تعمیر کنید. علت بسیاری از سوانح کاری، عدم مراقبت کامل از ابزارهای برقی می باشد.

◀ **ابزار برش را تیز و تمیز نگه دارید.** ابزار برشی که خوب مراقبت شده و از لبه های تیز برخوردار است، کمتر در قطعه کار گیر کرده و بهتر قابل هدایت است.

◀ **ابزار برقی، متعلقات، متنهاي دستگاه و غيره را مطابق دستورات این جزوه راهنما به کار گیرید و به شرایط کاری و نوع کار نیز توجه داشته باشید.** استفاده از ابزار برقی برای عملیاتی به جز مقاصد در نظر گرفته شده، میتواند به بروز شرایط خطرناک منجر شود.

◀ **دستها و سطوح عایق را همواره خشک، تمیز و عاری از روغن و گریس نگه دارید.** دسته های لغزنده مانع ایمنی و کنترل در کار در شرایط غیر منتظره هستند.

#### سرویس

◀ **برای تعمیر ابزار برقی فقط به متخصصین حرفهای رجوع کنید و از قطعات یدکی اصل استفاده نمایید.** این باعث خواهد شد که ایمنی دستگاه شما تضمین گردد.

#### دستورات ایمنی برای اره‌های گردبر

##### فرایندهای برش

◀ **دستهای خود را از محدوده برش و تیغه اره دور نگه دارید.** با دست دیگر خود دسته کمکی و یا بدنه موتور را بگیرید. چنانچه با هر دو دست خود دستگاه اره را بگیرید، دستهای شما به وسیله تیغه اره آسیب نمیبینند.

خاک اره باعث کندي در عملکرد حفاظ ايمني پاييني تيغه ميشوند.

◀ **حفاظ ايمني پاييني فقط براي برشهاي خاص مانند "برشهاي جيبی" و "برشهاي ترکيبی" ميتواند بالا برده شود.** حفاظ ايمني پاييني را به وسيله اهرم بالا ببريد و به محض فرو رفتن تيغه اره در قطعه کار، اهرم را رها کنيد. هنگام ساير اره کارها، حفظ ايمني پاييني بايد به صورت اتوماتيك عمل کند.

◀ **قبل از قرار دادن اره برروي ميز کار و يا روي زمين، مطمئن شويد حفاظ ايمني پاييني روي تيغه اره را پوشانده است.** تيغه اره بدون حفاظ و در حال چرخش باعث عقب راندن اره ميشود و هر آنچه را که سر رانش قرار بگيرد، ميبرد. به مدت زمان لازم براي متوقف شدن تيغه اره بعد از رها شدن کلید، توجه داشته باشيد.

#### ساير راهنمايهاي ايمني

◀ **دسته‌های خود را به محل خروج تراشه نزديک نکنيد.** ممکن است، خود را با قسمتهای در حال چرخش مجروح کنيد.

◀ **با اره بالای سرتان کار نکنيد.** اينگونه کنترل کافي روي ابزار برقی نداريد.

◀ **برای پيدا کردن لوله ها و سيم های پنهان موجود در ساختمان و محدوده کار، از یک دستگاه ردياب مخصوص برای يافتن لوله ها و سيمهای تاسيسات استفاده کنيد و يا با شرکت های کارهای تاسيسات ساختمان و خدمات مربوطه تماس بگيريد.** تماس با کابل و سيمهای برق ممکن است باعث آتشسوزی و يا برق گرفتگی شود. ايراد و آسیب دیدگی لوله گاز ميتواند باعث انفجار شود. سوراخ شدن لوله آب، باعث خسارت و يا برق گرفتگی ميشود.

◀ **ابزار برقی را هنگام کار با دو دست محکم بگيريد و وضعيت خود را ثابت و مطمئن کنيد.** ابزار برقی با دو دست مطمئن تر هدايت می شود.

◀ **از ابزار برقی به صورت نصب شده استفاده نکنيد.** ابزار برقی برای کار روي ميز اره مناسب نيست.

◀ **هنگام انجام "برش عمقی" که به صورت عمودی انجام نمی شود، صفحه راهنمای اره را در برابر حرکت جانی ایمن کنيد.** حرکت جانی ممکن است منجر به گیر کردن تيغه اره و ضربه به عقب شود.

◀ **قطعه کار را محکم کنيد.** در صورتیکه قطعه کار به وسيله تجهيزات نگه‌دارنده و يا بوسيله گیره محکم شده باشد، قطعه کار مطمئن تر نگه داشته ميشود، تا اينکه بوسيله دست نگه‌داشته شود.

◀ **قبل از کنار گذاشتن ابزار برقی صبر کنيد تا دستگاه بطور کامل از کار و حرکت بایستد.** ابزار ممکن است به قطعه کار گیر کرده و کنترل ابزار برقی از دست شما خارج شود.

◀ **از تيغه ارههای فولادی HSS استفاده نکنيد.** اينگونه تيغه های اره ممکن است سريع بشکنند.

◀ **فلزات آهنی را اره نکنيد.** تراشههای گداخته ميتوانند باعث آتشسوزی در مکنده گرد و غبار شوند.

کاربر دستگاه می تواند با اقدامات ايمني مناسب و با رعايت احتیاط بر اين گونه نیروها مسلط باشد.

◀ **در صورت گیر کردن تيغه اره و يا متوقف ساختن کارتان به سر دليلی، دستگاه را خاموش نموده و اره را ثابت نگه داريد تا تيغه اره کاملاً متوقف شود.** هرگز تا زمانی که تيغه اره در حال چرخش است، سعی نکنيد آنرا از داخل قطعه کار خارج کنيد و يا اره را به عقب بکشيد، در غير اين صورت امکان پس زدن و ضربه برگشتی وجود دارد. علت گیر کردن تيغه اره را جستجو کرده و آنرا برطرف کنيد.

◀ **هنگام روشن کردن مجدد اره در داخل قطعه کار، تيغه اره را در وسط شکاف برش قرار دهيد، به طوری که دندانهای تيغه اره در قطعه کار درگیر نشود.** در صورت گیر کردن تيغه اره، ممکن است هنگام روشن کردن مجدد دستگاه، تيغه اره از قطعه کار بيرون بيايد يا پس بزند.

◀ **سطوح و قطعات بزرگ را خوب مهار کنيد تا خطر پس زدن و يا گیر کردن تيغه اره کاهش يابد.** قطعات پهن و بزرگ ممکن است تحت تأثیر وزن خود خم شوند. از اينرو بايد در دو طرف قطعه کار، هم در نزديکی خط برش و هم در نزديکی لبه قطعه، تکیه‌گاه قرار داده شود.

◀ **از به کار بردن تيغههای کند يا آسیب دیده خودداری کنيد.** تيغههای کند اره يا درست قرار نگرفتن آنها، باعث ايجاد یک شکاف برش تنگ و در نتيجه منجر به افزايش اصطکاک، گیر کردن تيغه اره و پس زدن دستگاه ميشوند.

◀ **قبل از شروع اره کاری، نخست اهرمهای مهار تنظيم عمق و تنظيم زاويه برش را محکم کنيد.** چنانچه تنظيمات در حين اره کاری تغيير يابند، امکان گیر کردن تيغه اره و ضربه برگشتی دستگاه وجود دارد.

◀ **هنگام ارهکاری درون ديوارهای موجود يا ساير نفاذ کور بيشتر احتیاط کنيد.** تيغه اره فرو رفته ميتواند در اجسام کج شده، گیر کند و باعث پس زدن شود.

#### عملکرد حفاظ پاييني

◀ **قبل از هر بار استفاده، کنترل کنيد که حفاظ ايمني پاييني تيغه اره (حفاظ ايمني خودکار) بخوبی بسته شود.** چنانچه حفاظ ايمني پايینی آزادانه حرکت نميکند و يا فوراً بسته نميشود، اره را مورد استفاده قرار ندهيد. هرگز حفاظ ايمني پايینی تيغه را در وضعيت باز مهار نکنيد و يا آنرا با وسيله‌های نبنديد. چنانچه اره به طور اتفاقی سقوط کند، ممکن است حفاظ ايمني پايینی تيغه خميده و کج شود. با استفاده از اهرم برگشت پذير، قاب محافظ پايینی را بالا ببريد و مطمئن شويد که آزادانه حرکت ميکند و در کليه زوایا و عمقهای برش، با تيغه اره و ساير قسمتها برخورد نميکند.

◀ **عملکرد فنر حفاظ ايمني پايینی تيغه را کنترل کنيد.** چنانچه حفاظ ايمني و فنر آن به درستی عمل نميکنند، پيش از به کار بردن دستگاه اره، آنها را سرويس و تعمير کنيد. قطعات آسیب دیده، رسوبات چسبنده و يا تجمع تراشه و

◀ از ماسک ایمنی تنفس در برابر گرد و غبار استفاده کنید.

## توضیحات محصول و کارکرد

**همه دستورات ایمنی و راهنماییها را بخوانید.** اشتباهات ناشی از عدم رعایت این دستورات ایمنی ممکن است باعث برقگرفتگی، سوختگی و یا سایر جراحات های شدید شود.



به تصویرهای واقع در بخشهای اول دفترچه راهنما توجه کنید.

### موارد استفاده از دستگاه

این ابزار برقی برای برش های طولی و عرضی قطعات چوبی با مسیر برش مستقیم و همچنین برش های زاویه دار (زاویه فارسی بر)، در حالیکه دستگاه بطور محکم بر روی قطعه کار قرار گرفته باشد، در نظر گرفته شده است. کار روی اجسام غیر فلزی مجاز نیست.

### اجزاء دستگاه

شماره های اجزاء دستگاه که در تصویر مشاهده میشود، مربوط به شرح ابزار برقی می باشد که تصویر آن در این دفترچه آمده است.

(1) قاب محافظ

(2) دکمه تثبیت برای کلید قطع و وصل

(3 601 EA2 0K./3 601 EA2 0L./3 601 EA2 0F.)

(2) دکمه قفل برای کلید قطع و وصل

(3 601 EA2 08./3 601 EA2 0B./3 601 EA2 04./3 601 EA2 00./3 601 EA2 07.)

- (3) کلید قطع و وصل
- (4) دسته کمکی
- (5) دکمه قفل محور
- (6) درجه بندی زاویه فارسی بر
- (7) پیچ پروانه ای برای انتخاب زاویه فارسی بر
- (8) پیچ پروانه ای برای خط کش راهنمای موازی
- (9) علامت برش 45°
- (10) علامت برش 0°
- (11) خط کش راهنمای موازی
- (12) حفاظ ایمنی (قاب محافظ) خودکار (مترک)
- (13) اهرم جابجائی و تنظیم حفاظ ایمنی خودکار
- (14) کفی (صفحه پایه)
- (15) پیچ پروانه ای برای انتخاب زاویه فارسی بر
- (16) محل خروج تراشه و خاک اره
- (17) آچار آلن
- (18) پیچ مهار با واشر
- (19) فلائز مهار (مهره رو)
- (20) تیغه اره گردبر<sup>(a)</sup>
- (21) فلائز گیرنده
- (22) محور اره
- (23) پیچ تثبیت آداپتور مکش<sup>(a)</sup>
- (24) آداپتور مکش<sup>(a)</sup>
- (25) اهرم مهار برای انتخاب عمق برش
- (26) درجه بندی عمق برش
- (27) گیره پیچی<sup>(a)</sup>
- (28) دسته (دارای سطح عایق)

(a) کلیه متعلقاتی که در تصویر و یا در متن آمده است، بطور معمول همراه دستگاه ارائه نمی شود. لطفاً لیست کامل متعلقات را از فهرست برنامه متعلقات اقتباس نمایند.

### مشخصات فنی

GKS 9	GKS 235 Turbo	GKS 235 Turbo	اره گرد دستی	شماره فنی
3 601 EA2 00. 3 601 EA2 07.	3 601 EA2 0B.	3 601 EA2 0..		
2050	2050	2050	W	توان ورودی نامی
5300	5300	5300	<sup>-1</sup> min	سرعت در حالت آزاد
3500	3500	3500	<sup>-1</sup> min	حداکثر سرعت تحت بار
				حداکثر عمق برش
85	85	85	mm	- در زاویه مورب 0°
65	65	65	mm	- در زاویه مورب 45°
●	●	●		قفل کننده محور دستگاه
383 x 170	383 x 170	383 x 170	mm	ابعاد صفحه پایه
235	235	235	mm	حداکثر قطر تیغه اره
230	230	230	mm	حداقل قطر تیغه اره
2,2	2,2	2,2	mm	حداکثر ضخامت تیغه اره
3,2	3,2	3,2	mm	حداکثر ضخامت/شیب دندان
2,0	2,0	2,0	mm	حداقل ضخامت/شیب دندان

GKS 9	GKS 235 Turbo	GKS 235 Turbo	mm	اره گرد دستی
30	25,4	25		سوراخ نگهدارنده
7,6	7,6	7,6	kg	وزن مطابق استاندارد EPTA-Procedure 01:2014
II/□	II/□	II/□		کلاس ایمنی

مقادیر برای ولتاژ نامی [U] 230 ولت میباشند. برای ولتاژهای مختلف و تولیدات مخصوص کشورها، ممکن است این مقادیر، متفاوت باشند.

دستگاه با الزامات استاندارد IEC 61000-3-11 مطابقت دارد و تحت شرایطی می تواند متصل شود. چنانچه وضعیت جریان برق نامطلوب باشد، ممکن است دستگاه گاه و بیگاه دچار نوسان ولتاژ گردد. امیدانس این دستگاه، برابر  $Z_{actual} = 0,14 \Omega$  در نظر گرفته شده است. کاربر باید اطمینان حاصل کند که نقطه اتصال دارای امیدانس  $Z_{max}$  که دستگاه قرار است به آن متصل شود، با امیدانس مورد نیاز مطابقت داشته باشد:  $Z_{actual} \leq Z_{max}$  چنانچه  $Z_{max}$  مشخص نیست، مقدار  $Z_{max}$  را به کمک شرکت توزیع نیروی برق تعیین کنید.

## نصب

فقط از تیغه های اره ای استفاده کنید که حداکثر سرعت مجاز آنها از سرعت در حالت آزاد (بدون بار) ابزار برقی شما بیشتر باشد.

### نحوه جاگذاری/تعویض تیغه اره

پیش از انجام هرگونه کاری بر روی ابزار الکتریکی، دوشاخه اتصال آنرا از داخل پریز برق بیرون بکشید.

به هنگام مونتاژ تیغه اره از دستکش ایمنی استفاده کنید. در تماس با تیغه اره خطر آسیب دیدگی و جراحت وجود دارد.

به هیچ وجه از صفحه سنگ بعنوان متعلقات برش استفاده نکنید.

فقط از آن دسته از تیغه های اره استفاده کنید که با مشخصات فنی مندرج در این دفترچه راهنما و روی ابزار برقی منطبق باشند.

### انتخاب تیغه اره

لیستی از تیغه اره های توصیه شده را در انتهای این دفترچه می یابید.

### نصب تیغه اره (رجوع شود به تصویر A)

برای تعویض ابزار و متعلقات، بهتر است ابزار برقی را بر روی پیشانی (سطح خارجی) بدنه موتور قرار بدهید.

دکمه قفلکننده (5) را فشار دهید و آن را فشرده نگه دارید.

دکمه قفلکننده (5) را فقط در صورت توقف کامل محور دستگاه فشار دهید. در غیر اینصورت امکان آسیب دیدن ابزار برقی وجود دارد.

با آچار آلن (17) پیچ مهار (18) را در جهت ① بیرون بکشید.

پیچ پاندولی (12) را به عقب برانید و آن را محکم نگه دارید.

فلانژ مهار (19) و تیغه اره (20) را از محور اره (22) جدا کنید.

### نصب تیغه اره (رجوع شود به تصویر A)

برای تعویض ابزار و متعلقات، بهتر است ابزار برقی را بر روی پیشانی (سطح خارجی) بدنه موتور قرار بدهید.

تیغه اره (20) و تمام قسمتهای مهار را تمیز کنید.

پیچ پاندولی (12) را به عقب برانید و آن را محکم نگه دارید.

تیغه اره (20) را روی فلانژ گیرنده (21) قرار دهید. جهت برش دندانها (جهت فلش روی تیغه اره) و فلش جهت چرخش روی قاب محافظ (1) بایستی با هم مطابقت داشته باشند.

فلانژ مهار (19) را روی پیچ مهار (18) در جهت چرخش ② قرار دهید. به حالت نصب فلانژ گیرنده (21) و فلانژ مهار (19) توجه کنید.

دکمه قفلکننده (5) را فشار دهید و آن را فشرده نگه دارید.

با آچار آلن (17) پیچ مهار (18) را در جهت چرخش ② بیرون بکشید. گشتاور سفت کردن بایستی 10-12 نیوتنمتر باشد، این برابر است با سفت کردن با دست بعلاوه ¼ چرخش.

### مکش گرد، براده و تراشه

گرد و غبار موادی مانند رنگ های دارای سرب، بعضی از چوب ها، مواد معدنی و فلزات میتوانند برای سلامتی مضر باشند. دست زدن و یا تنفس کردن گرد و غبار ممکن است باعث بروز آلرژی و یا بیماری مجاری تنفسی شخص استفاده کننده و یا افرادی که در آن نزدیکی میباشند، بشود.

گرد و غبارهای مخصوصی مانند گرد و غبار درخت بلوط و یا درخت راش سرطان زا هستند، بخصوص ترکیب آنها با سایر موادی که برای کار بر روی چوب (کرومات، مواد برای محافظت از چوب) بکار برده میشوند. فقط افراد متخصص مجازند با موادی که دارای آزیست میباشند کار کنند.

حتی الامکان از یک دستگاه مکش مناسب و درخور ماده (قطعه کار) استفاده کنید.

توجه داشته باشید که محل کار شما از تهویه هوای کافی برخوردار باشد.

توصیه میشود از ماسک تنفسی ایمنی با درجه فیلتر P2 استفاده کنید.

به قوانین و مقررات معتبر در کشور خود در رابطه با استفاده از مواد و قطعات کاری توجه کنید.

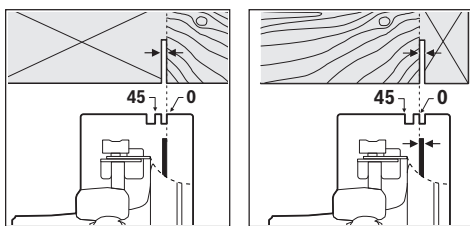
### تنظیم زاویه برش فارسی

بهتر است ابزار برقی را روی طرف پیشانی قاب محافظ (1) قرار دهید.

پیچهای پروانه‌ای (7) و (15) را باز کنید. اهر را به پهلو بچرخانید. اندازه دلخواه را روی درجه‌بندی (6) تنظیم کنید. پیچهای پروانه‌ای (7) و (15) را دوباره سفت کنید.

**نکته:** برای برشهای با زاویه فارسی، عمق برش کمتر از مقدار نشان داده شده روی درجه‌بندی عمق برش (26) است.

### نمونه علامت گذاری های برش



علامت برش 0° (10) وضعیت تیغه اهر را در برش با زاویه ی عمودی نشان می دهد. علامت برش 45° (9) وضعیت تیغه اهر را در برش با زاویه ی 45° نشان می دهد.

برای انجام یک برش دقیق طبق اندازه، اهر را طبق تصویر بر روی قطعه کار قرار دهید. بهتر است یک برش آزمایشی انجام دهید.

### راه اندازی و نحوه کاربرد دستگاه

◀ به ولتاژ شبکه برق توجه کنید! ولتاژ منبع جریان برق باید با مقادیر موجود بر روی برچسب ابزار الکتریکی مطابقت داشته باشد. ابزارهای برقی را که با ولتاژ 230 V ولت مشخص شده اند، می توان تحت ولتاژ 220 V ولت نیز بکار برد.

### نحوه روشن و خاموش کردن

◀ از فعال کردن کلید قطع و وصل بدون رها کردن دسته مطمئن شوید.

3 601 EA2 0K./3 601 EA2 0L./3 601 EA2 0F.  
برای راه اندازی ابزار برقی، کلید قطع و وصل (3) را فشار داده و آنرا در حالت فشرده نگهدارید.

برای ثابت کردن کلید قطع و وصل فشرده شده (3) دکمه ی تثبیت (2) را فشار دهید.

جهت خاموش کردن ابزار برقی، کلید قطع و وصل (3) را رها کنید یا در صورت قفل بودن دکمه تثبیت (2) کلید قطع و وصل (3) را کوتاه فشار دهید و آن را رها کنید.

3 601 EA2 08./3 601 EA2 0B./  
3 601 EA2 04./3 601 EA2 00./  
3 601 EA2 07.

جهت راه اندازی ابزار برقی، ابتدا قفل کلید (2) را فعال کنید و سپس کلید قطع و وصل (3) را فشرده نگه دارید.

برای خاموش کردن ابزار برقی، کلید قطع و وصل (3) را رها کنید.

◀ از تجمع گرد و غبار در محل کار جلوگیری کنید. گرد و غبار می تواند به آسانی مشتعل شوند.

**نصب آداپتور مکنده (رجوع شود به تصویر B)**  
آداپتور مکش (24) را در لوله خروجی تراشه (16) فرو کنید تا جایافتد. آداپتور مکش (24) را به همراه پیچ (23) تثبیت کنید.

به آداپتور مکش (24) می توان یک شلنگ مکش با قطر 35 میلیمتر متصل کرد.

◀ آداپتور مکش را نباید بدون اتصال مکنده مجزا نصب کرد. در غیر اینصورت کانال مکش مسدود میشود.

◀ روی آداپتور مکش نباید هیچ کیسه مکشی نصب گردد. در غیر اینصورت سیستم مکش مسدود میشود.

برای تضمین مکش بهینه بایستی آداپتور مکش (24) مرتب تمیز شود.

### مکش گرد و غبار توسط مکنده مجزا

ابزار برقی را میتوان مستقیم به یک پرز مکنده عمومی Bosch مجهز به سیستم فعالسازی از راه دور متصل کرد. با روشن کردن ابزار برقی، دستگاه مکش متصل شده نیز بطور اتوماتیک روشن می شود. دستگاه مکنده باید برای قطعه کار مورد نظر مناسب باشد.

برای مکش گرد و غباری که برای سلامتی مضرند و سرطان زا هستند و یا برای مکش تراشه های خشک باید از یک دستگاه مکنده مخصوص استفاده کنید.

در کشور آلمان به دلیل اتصالات آزمایش شده مکنده بر اساس TRGS 553، نایستی مکش خود در محیط صنعتی انجام گردد. برای سایر موارد بایستی مسئول شرکت صنعتی، بایدهای مربوط را با صنف خود در میان بگذارد.

### طرز کار با دستگاه

◀ پیش از انجام هرگونه کاری بر روی ابزار الکتریکی، دوشاخه اتصال آنرا از داخل پریز برق بیرون بکشید.

### انواع عملکرد

#### تنظیم عمق برش (رجوع کنید به تصویر C)

◀ عمق برش را نسبت به ضخامت قطعه کار تنظیم کنید. بایستی کمتر از ارتفاع یک دندانه کامل تیغه اهر از زیر قطعه کار قابل رؤیت باشد.

اهرم مهار (25) را باز کنید. برای برش با عمق کمتر، اهر را از صفحه پایه (14) کنار بکشید، برای برش با عمق بیشتر، اهر را به طرف صفحه پایه (14) برانید. اندازه عمق برش مورد نیاز را از روی جدول درجه بندی عمق برش تنظیم کنید. اهرم مهار (25) را دوباره سفت کنید.

نیروی مهارکنندگی اهرم مهار (25) را میتوان بعداً هم تغییر داد. اهرم مهار (25) را بدین منظور باز کنید و آن را دستکم حدود 30° در خلاف جهت چرخش عقربه‌های ساعت دوباره سفت کنید.

در صورت نیاز به یک کابل یدکی برای اتصال به شبکه برق، بایستی به شرکت **Bosch** و یا به نمایندگی مجاز **Bosch** (خدمات پس از فروش) برای ابزار آلات برقی مراجعه کنید تا از بروز خطرات ایمنی جلوگیری بعمل آید.

حفاظ ایمنی خودکار باید همواره آزادانه قابل حرکت باشد و بتواند بطور خودکار بسته شود. از اینرو محدوده حفاظ ایمنی خودکار را همیشه تمیز نگهدارید. گرد و غبار و تراشه ها را با یک قلم مو بردارید.

کاغذ سنباده های بدون پوشش می توانند با یک لایه ی روغن بدون اسید از زنگ زدگی محافظت شوند. پیش از اهر کاری، روغن را پاک کنید، زیرا احتمال لک شدن چوب وجود دارد.  
صمغ درخت و یا بقایای چسب چوب بر روی تیغه اهر باعث کاهش کیفیت برش میشود. از اینرو تیغه اهر را بلافاصله پس از استفاده تمیز کنید.

### خدمات و مشاوره با مشتریان

خدمات مشتری، به سؤالات شما درباره تعمیرات، سرویس و همچنین قطعات یدکی پاسخ خواهد داد. نقشه های سه بعدی و اطلاعات مربوط به قطعات یدکی را در تارنمای زیر میابید:

[www.bosch-pt.com](http://www.bosch-pt.com)

گروه مشاوره به مشتریان Bosch با کمال میل به سؤالات شما درباره محصولات و متعلقات پاسخ می دهند.

برای هرگونه سؤال و یا سفارش قطعات یدکی، حتماً شماره فنی 10 رقمی کالا را مطابق برچسب روی ابزار برقی اطلاع دهید.

### ایران

روبرت بوش ایران - شرکت بوش تجارت پارس  
میدان ونک، خیابان شهید خدای، خیابان آفتاب  
ساختمان مادیران، شماره 3، طبقه سوم.  
تهران 1994834571  
تلفن: 9821+ 42039000

آدرس سایر دفاتر خدماتی را در ادامه بیابید:  
[www.bosch-pt.com/serviceaddresses](http://www.bosch-pt.com/serviceaddresses)

### از رده خارج کردن دستگاه

ابزار برقی، متعلقات و بسته بندی آن، باید طبق مقررات حفظ محیط زیست از رده خارج و بازیافت شوند.

ابزارهای برقی را داخل زباله دان خانگی نیاندازید!



**نکته:** بنا به دلایل ایمنی، کلید قطع و وصل (3) را نمی توان تثبیت و قفل کرد، بلکه آنرا باید در حین کار همواره در حالت فشرده نگهداشت.

### راهنمائیهای عملی

#### ◀ پیش از انجام هرگونه کاری بر روی ابزار الکتریکی، دوشاخه اتصال آنرا از داخل پریز برق بیرون بکشید.

عرض برش بر حسب تیغه اهر کاربردی متفاوت است. تیغه های اهر را در برابر ضربه و فشار محافظت کنید.

ابزار برقی را با فشار کم و متعادل در جهت برش برانید. فشار زیاد از طول عمر ابزارها می کاهد و به ابزار برقی آسیب می رساند.

قدرت برش و کیفیت برش عمدتاً به وضعیت و فرم دندانهای تیغه اهر بستگی دارند. از این رو فقط از تیغه های اهر تیز و متناسب با جنس قطعه کار مورد نظر استفاده کنید.

#### نحوه اهر کردن چوب

انتخاب صحیح تیغه اهر بر حسب نوع چوب، کیفیت چوب و اینکه برش طولی یا برش عرضی صورت میگیرد، انجام میشود.

در برش های طولی چوب کاج، تراشه های طویل و ماریچ ایجاد میشود.

گرد و غبارهای درخت بلوط و راش برای سلامتی مضر هستند، به همین دلیل تنها با مکنده گرد و غبار کار کنید.

### ارهکاری با خطکش راهنمای موازی

#### (رجوع کنید به تصویر D)

خطکش راهنمای موازی (11) برش دقیق در امتداد لبه قطعه کار یا برش نوارهای یکاندازه را فراهم می کند.

پیچ پروانه ای (8) را باز کنید و درجه بندی خطکش راهنمای موازی (11) را در شیار صفحه پایه (14) برانید. عرض برش دلخواه را به عنوان مقدار درجه بندی روی علامت برش مربوط (10) یا (9) تنظیم کنید، رجوع کنید به بخش، «علامتهای برش». پیچ پروانه ای (8) را دوباره سفت کنید.

### ارهکاری با نگهدارنده کمکی

#### (رجوع کنید به تصویر E)

برای کار بر روی قطعات بزرگ و یا برای برش لبه های مستقیم میتوانید از یک شیئی مانند یک تخته باریک بعنوان خط کش راهنمای برش به این ترتیب استفاده کنید که آنرا به قطعه کار محکم کنید و اهر گرد را با کفی آن در امتداد خط کش راهنمای کمکی حرکت دهید.

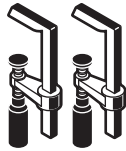
## مراقبت و سرویس

### مراقبت، تعمیر و تمیز کردن دستگاه

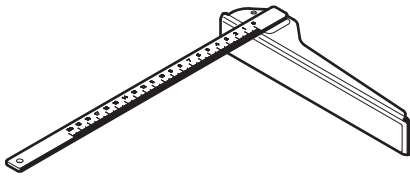
◀ پیش از انجام هرگونه کاری بر روی ابزار الکتریکی، دوشاخه اتصال آنرا از داخل پریز برق بیرون بکشید.

◀ ابزار الکتریکی و شیارهای تهویه آنرا تمیز نگاه دارید، تا ایمنی شما در کار تضمین گردد.

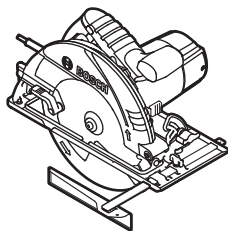




1 607 960 008



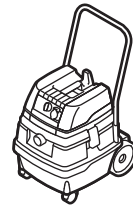
1 608 190 007



+



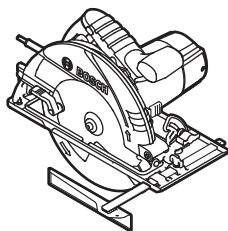
+



1 619 P01 627

Ø 35 mm  
3 m 2 609 390 392  
5 m 2 609 390 393

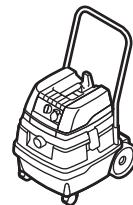
GAS 25  
GAS 50  
GAS 50 M



+



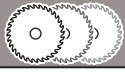
+



1 619 P01 627

Ø 35 mm  
3 m 2 607 002 163  
5 m 2 607 002 164

GAS 25  
GAS 50  
GAS 50 M



*optiline*  
**WOOD**



*speedline*  
**WOOD**

*fast*  
**CUT**



**CONSTRUCT**  
**WOOD**




*fast*  
**CUT**





<b>de</b>	<b>EU-Konformitätserklärung</b> <b>Handkreissäge</b> Sachnummer	Wir erklären in alleiniger Verantwortung, dass die genannten Produkte allen einschlägigen Bestimmungen der nachfolgend aufgeführten Richtlinien und Verordnungen entsprechen und mit folgenden Normen übereinstimmen. Technische Unterlagen bei: *
<b>en</b>	<b>EU Declaration of Conformity</b> <b>Hand-held circular saw</b> Article number	We declare under our sole responsibility that the stated products comply with all applicable provisions of the directives and regulations listed below and are in conformity with the following standards. Technical file at: *
<b>fr</b>	<b>Déclaration de conformité UE</b> <b>Scie circulaire</b> N° d'article	Nous déclarons sous notre propre responsabilité que les produits décrits sont en conformité avec les directives, règlements normatifs et normes énumérés ci-dessous. Dossier technique auprès de: *
<b>es</b>	<b>Declaración de conformidad UE</b> <b>Sierra circular portátil</b> Nº de artículo	Declaramos bajo nuestra exclusiva responsabilidad, que los productos nombrados cumplen con todas las disposiciones correspondientes de las Directivas y los Reglamentos mencionados a continuación y están en conformidad con las siguientes normas. Documentos técnicos de: *
<b>pt</b>	<b>Declaração de Conformidade UE</b> <b>Serra circular manual</b> N.º do produto	Declaramos sob nossa exclusiva responsabilidade que os produtos mencionados cumprem todas as disposições e os regulamentos indicados e estão em conformidade com as seguintes normas. Documentação técnica pertencente à: *
<b>it</b>	<b>Dichiarazione di conformità UE</b> <b>Sega circolare</b> Codice prodotto	Dichiariamo sotto la nostra piena responsabilità che i prodotti indicati sono conformi a tutte le disposizioni pertinenti delle Direttive e dei Regolamenti elencati di seguito, nonché alle seguenti Normative. Documentazione Tecnica presso: *
<b>nl</b>	<b>EU-conformiteitsverklaring</b> <b>Cirkelzaag</b> Productnummer	Wij verklaren op eigen verantwoordelijkheid dat de genoemde producten voldoen aan alle desbetreffende bepalingen van de hierna genoemde richtlijnen en verordeningen en overeenstemmen met de volgende normen. Technisch dossier bij: *
<b>da</b>	<b>EU-overensstemmelseserklæring</b> <b>Håndrundsav</b> Typenummer	Vi erklærer som eneansvarlige, at det beskrevne produkt er i overensstemmelse med alle gældende bestemmelser i følgende direktiver og forordninger og opfylder følgende standarder. Tekniske bilag ved: *
<b>sv</b>	<b>EU-konformitetsförklaring</b> <b>Handcirkelsåg</b> Produktnummer	Vi förklarar under eget ansvar att de nämnda produkterna uppfyller kraven i alla gällande bestämmelser i de nedan angivna direktiven och förordningarna och att de stämmer överens med följande normer. Teknisk dokumentation: *
<b>no</b>	<b>EU-samsvarserklæring</b> <b>Håndcirkelsag</b> Produktnummer	Vi erklærer under eneansvar at de nevnte produktene er i overensstemmelse med alle relevante bestemmelser i direktivene og forordningene nedenfor og med følgende standarder. Teknisk dokumentasjon hos: *
<b>fi</b>	<b>EU-vaatimustenmukaisuusvakuutus</b> <b>Käsipyörösaha</b> Tuotenumero	Vakuutamme täten, että mainitut tuotteet vastaavat kaikkia seuraavien direktiivien ja asetusten asiaankuuluvia vaatimuksia ja ovat seuraavien standardien vaatimusten mukaisia. Tekniset asiakirjat saatavana: *
<b>el</b>	<b>Δήλωση πιστότητας ΕΕ</b> <b>Φορητό δισκοπρίοιο</b> Αριθμός ευρετηρίου	Δηλώνουμε με αποκλειστική μας ευθύνη, ότι τα αναφερόμενα προϊόντα αντιστοιχούν σε όλες τις σχετικές διατάξεις των πιο κάτω αναφερόμενων οδηγιών και κανονισμών και ταυτίζονται με τα ακόλουθα πρότυπα. Τεχνικά έγγραφα στη: *
<b>tr</b>	<b>AB Uygunluk beyanı</b> <b>Daire testere</b> Ürün kodu	Tek sorumlu olarak, tanımlanan ürünün aşağıdaki yönetmelik ve direktiflerin geçerli bütün hükümlerine ve aşağıdaki standartlara uygun olduğunu beyan ederiz. Teknik belgelerin bulunduğu yer: *

<b>pl</b>	<b>Deklaracja zgodności UE</b> <b>Ręczna pilarka tarczowa</b>	Numer katalogowy	Oświadczamy z pełną odpowiedzialnością, że niniejsze produkty odpowiadają wszystkim wymaganiom poniżej wyszczególnionych dyrektyw i rozporządzeń, oraz że są zgodne z następującymi normami. Dokumentacja techniczna: *
<b>cs</b>	<b>EU prohlášení oshodě</b> <b>Ruční okružní pila</b>	Objednací číslo	Prohlašujeme na výhradní zodpovědnost, že uvedený výrobek splňuje všechna příslušná ustanovení níže uvedených směrníc a nařízení a je vsouladu snásledujícími normami: Technické podklady u: *
<b>sk</b>	<b>EÚ vyhlásenie ozhode</b> <b>Ručná kotúčová pila</b>	Vecné číslo	Vyhlasujeme na výhradnú zodpovednosť, že uvedený výrobok spĺňa všetky príslušné ustanovenia nižšie uvedených smerníc a nariadení a je vsúlade snásledujúcimi normami: Technické podklady má spoločnosť: *
<b>hu</b>	<b>EU konformitási nyilatkozat</b> <b>Kézi körfűrész</b>	Cikkszám	Egyedüli felelősséggel kijelentjük, hogy a megnevezett termékek megfelelnek az alábbiakban felsorolásra kerülő irányelvek és rendeletek valamennyi idevágó előírásainak és megfelelnek a következő szabványoknak. Műszaki dokumentumok megőrzési pontja: *
<b>ru</b>	<b>Заявление о соответствии ЕС</b> <b>Ручная дисковая пила</b>	Товарный №	Мы заявляем под нашу единоличную ответственность, что названные продукты соответствуют всем действующим предписаниям нижеуказанных директив и распоряжений, а также нижеуказанных норм. Техническая документация хранится у: *
<b>uk</b>	<b>Заява про відповідність ЄС</b> <b>Ручна дискова пила</b>	Товарний номер	Мизаявляємо під нашу одноособову відповідальність, що названі вироби відповідають усім чинним положенням нищезначених директив і розпоряджень, а також нищезначеним нормам. Технічна документація зберігається у: *
<b>kk</b>	<b>ЕО сәйкестік мағлұдамасы</b> <b>Қол дискілік арасы</b>	Өнім нөмірі	Өз жауапкершілікпен біз аталған өнімдер төменде жьылған директикалар мен жарлықтардың тиісті қағидаларына сәйкестігін және төмендегі нормаларға сай екенін білдіреміз. Техникалық құжаттар: *
<b>ro</b>	<b>Declarație de conformitate UE</b> <b>Ferăstrău circular manual</b>	Număr de identificare	Declarăm pe proprie răspundere că produsele menționate corespund tuturor dispozițiilor relevante ale directivelor și reglementărilor enumerate în cele ce urmează și sunt în conformitate cu următoarele standarde. Documentație tehnică la: *
<b>bg</b>	<b>ЕС декларация за съответствие</b> <b>Ръчен циркуляр</b>	Каталожен номер	С пълна отговорност ние декларираме, че посочените продукти отговарят на всички валидни изисквания на директивите и разпоредбите по-долу и съответства на следните стандарти. Техническа документация при: *
<b>mk</b>	<b>EU-Изјава за сообразност</b> <b>Рачна кружна пила</b>	Број на дел/артикл	Со целосна одговорност изјавуваме, дека опишаните производи се во согласност со сите релевантни одредби на следните регулативи и прописи и се во согласност со следните норми. Техничка документација кај: *
<b>sr</b>	<b>EU-izjava o usaglašenosti</b> <b>Ručna kružna testera</b>	Broj predmeta	Na sopstvenu odgovornost izjavljujemo, da navedeni proizvodi odgovaraju svim dotičnim odredbama naknadno navedenih smernica u uredba i da su u skladu sa sledećim standardima. Tehnička dokumentacija kod: *
<b>sl</b>	<b>Izjava o skladnosti EU</b> <b>Ročna krožna žaga</b>	Številka artikla	Izjavljamo pod izključno odgovornostjo, da je omenjen izdelek v skladu z vsemi relevantnimi določili direktiv in uredb ter ustreza naslednjim standardom. Tehnična dokumentacija pri: *
<b>hr</b>	<b>EU izjava o sukladnosti</b> <b>Ručna kružna pila</b>	Kataloški br.	Pod punom odgovornošću izjavljujemo da navedeni proizvodi odgovaraju svim relevantnim odredbama direktiva i propisima navedenima u nastavku i da su sukladni sa sljedećim normama. Tehnička dokumentacija se može dobiti kod: *

<b>et</b>	<b>EL-vastavusdeklaratsioon</b>	Kinnitame ainuvastutajatena, et nimetatud tooted vastavad järgnevalt loetletud direktiivide ja määruste kõikidele asjaomastele nõuetele ja on kooskõlas järgmiste normidega. Tehnilised dokumendid saadaval: *
	<b>Käsiketasasaag</b> Tootenumber	
<b>lv</b>	<b>Deklarācija par atbilstību ES standartiem</b>	Mēs ar pilnu atbildību paziņojam, ka šeit aplūkoti izstrādājumi atbilst visiem tālāk minētajās direktīvās un rikojumos ietvertajām saistošajām nostādņēm, kā arī sekojošiem standartiem. Tehniskā dokumentācija no: *
	<b>Rokas ripzāģis</b> Izstrādājuma numurs	
<b>lt</b>	<b>ES atitikties deklaracija</b>	Atsakingai pareiškiame, kad išvardyti gaminiai atitinka visus privalomus žemiau nurodytų direktyvų ir reglamentų reikalavimus ir šiuos standartus. Techninė dokumentacija saugoma: *
	<b>Rankinis diskinis pjūklas</b> Gaminio numeris	
	<b>GKS 235 Turbo</b>	<b>3 601 EA2 0..</b>
	<b>GKS 235 Turbo</b>	<b>3 601 EA2 0B.</b>
	<b>GKS 235 Turbo</b>	<b>3 601 EA2 001</b> <b>3 601 EA2 071</b>
	<b>GKS 9</b>	<b>3 601 EA2 00.</b> <b>3 601 EA2 07.</b>
		2006/42/EC 2014/30/EU 2011/65/EU  EN 62841-1:2015 EN 62841-2-5:2014 EN 55014-1:2017+A11:2020 EN 55014-2:2015 EN IEC 61000-3-2:2019 EN IEC 61000-3-11:2019 EN IEC 63000:2018
		 <b>BOSCH</b> * Robert Bosch Power Tools GmbH (PT/ECS) 70538 Stuttgart GERMANY
		Henk Becker Chairman of Executive Management  Helmut Heinzelmann Head of Product Certification
		 
		Robert Bosch Power Tools GmbH, 70538 Stuttgart, GERMANY Stuttgart, 09.11.2020