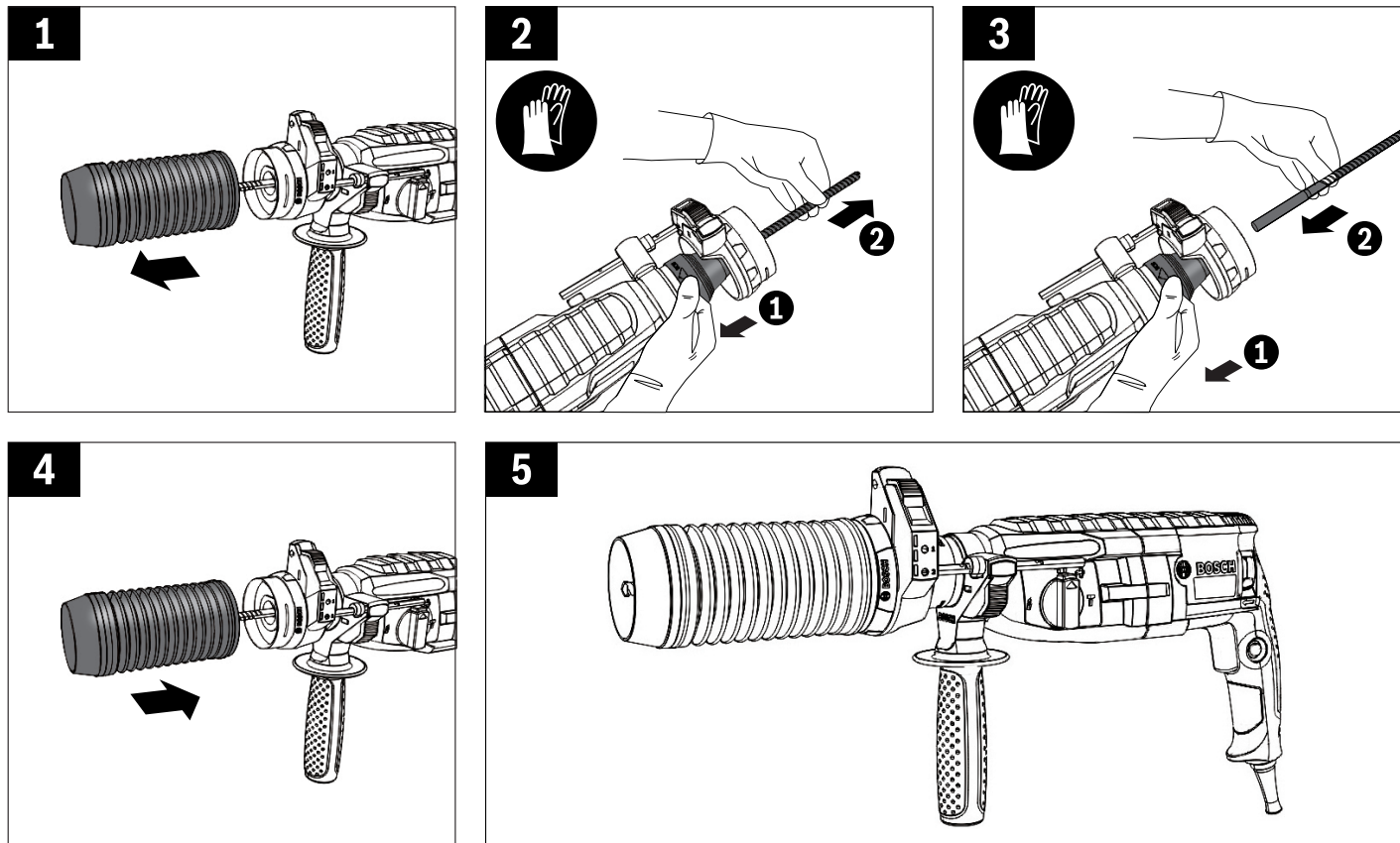
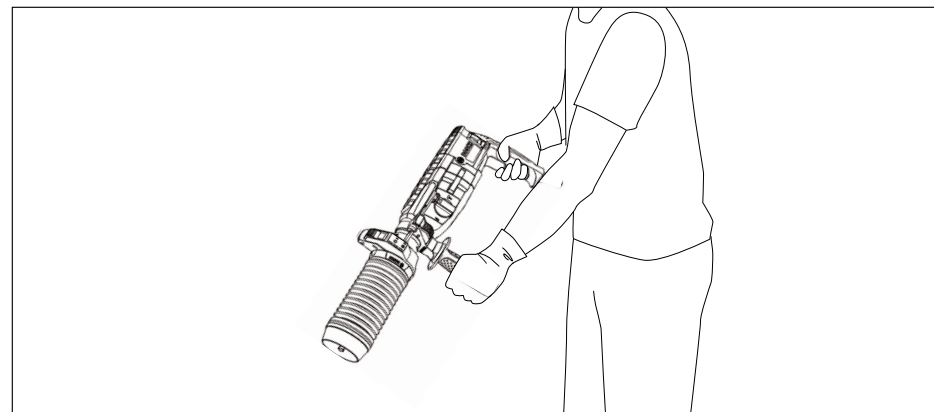


4 |

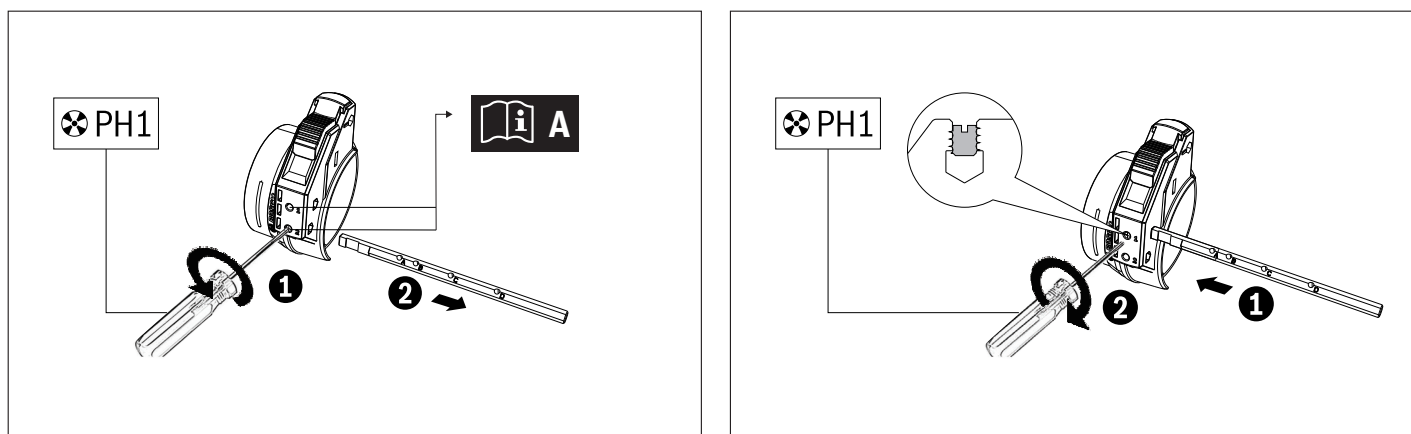
Change drill



Clean dust



Change hammer



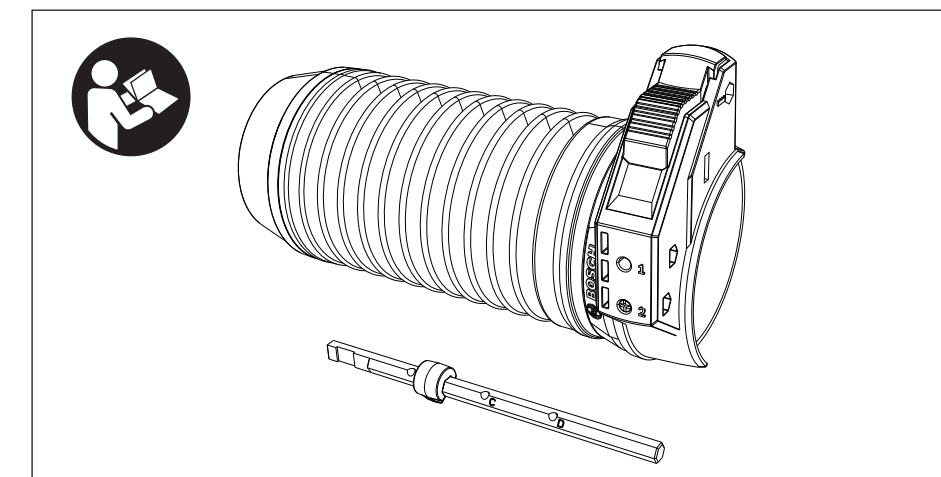
Dust Cup Professional



Robert Bosch Power Tools GmbH
70538 Stuttgart
GERMANY
www.bosch-pt.com

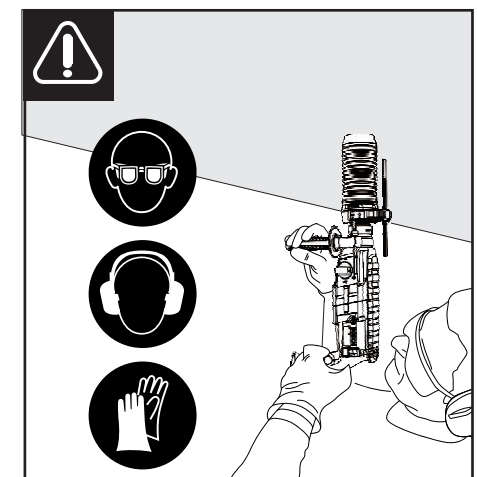
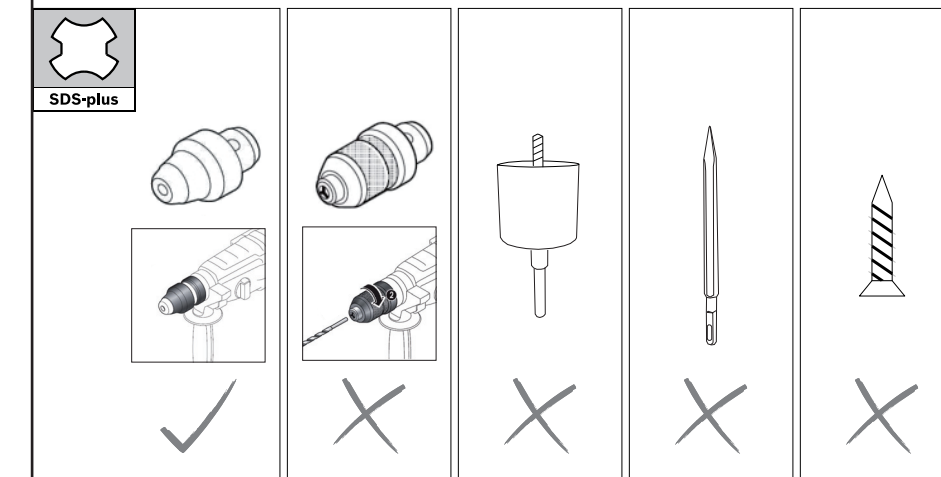
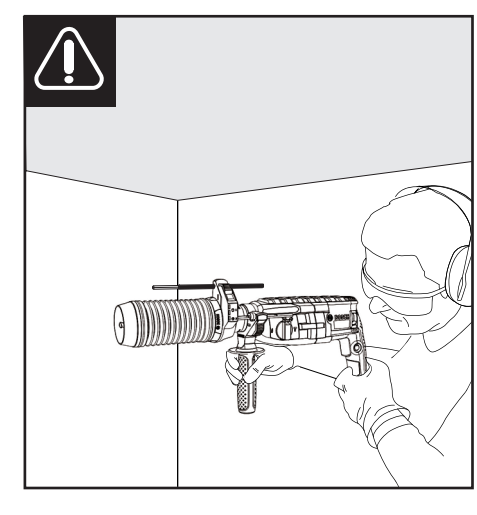
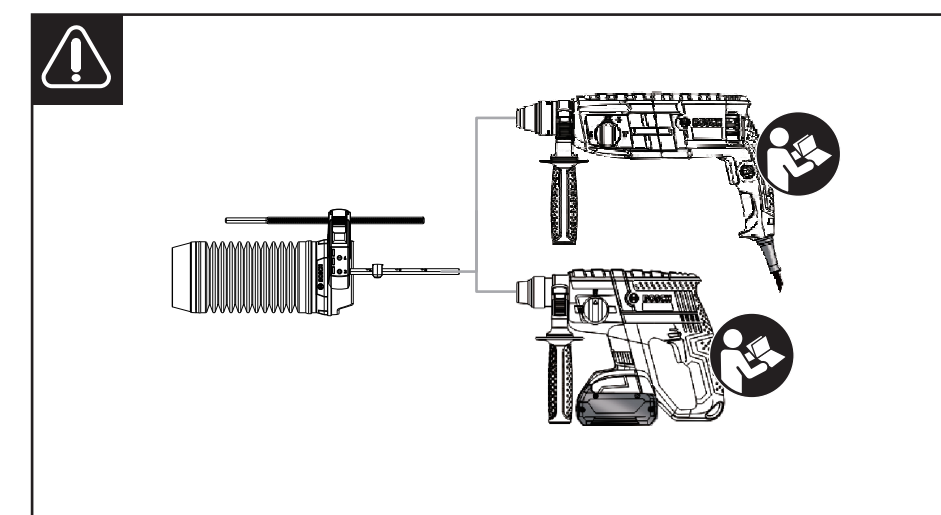
1 609 92A 3N2 (2015.11) / 4



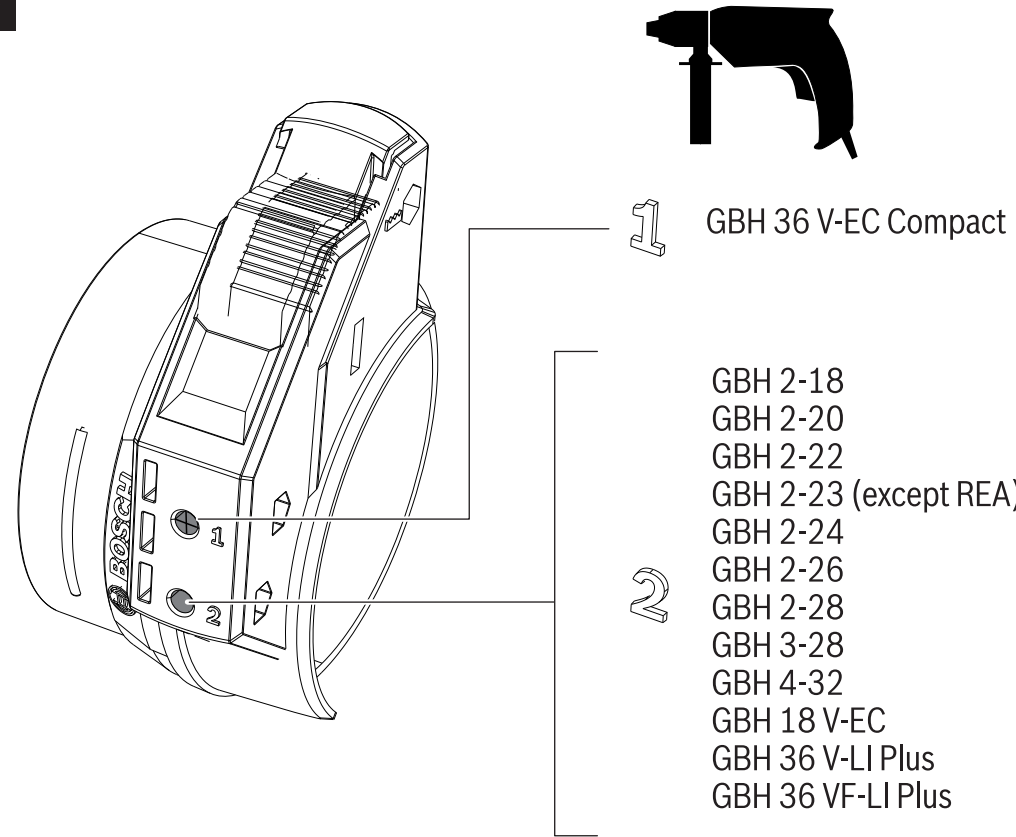
1 609 92A 3N2



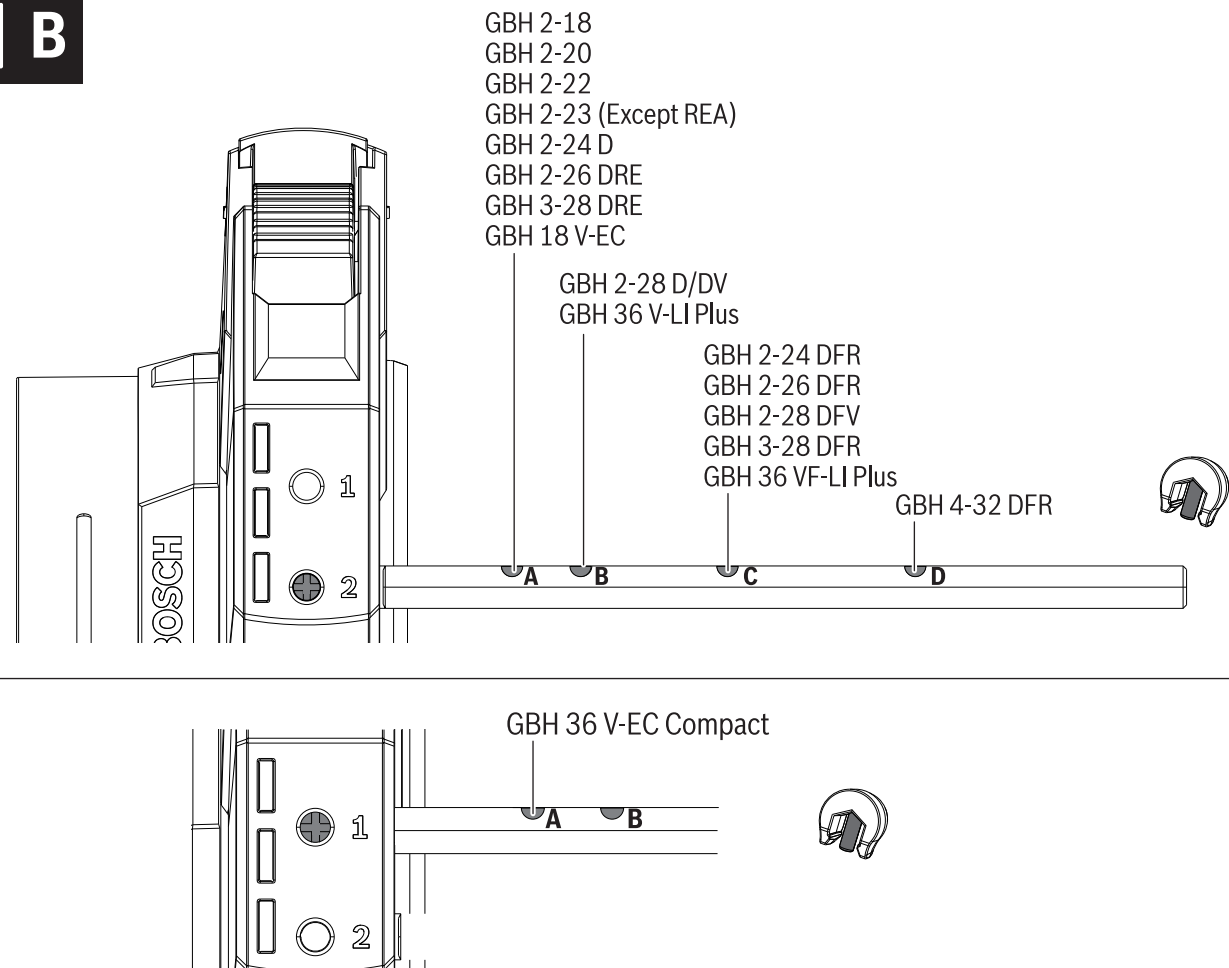
	160 mm / 210 mm
	Ø 5 mm - 16 mm



i A



i B



Installation

